



US00D980467S

(12) **United States Design Patent** (10) **Patent No.:** **US D980,467 S**  
**Jian** (45) **Date of Patent:** **\*\* Mar. 7, 2023**

(54) **MOTION SENSOR LIGHT**

(71) Applicant: **Xiang Jian**, Guangdong (CN)

(72) Inventor: **Xiang Jian**, Guangdong (CN)

(\*\*) Term: **15 Years**

(21) Appl. No.: **29/841,544**

(22) Filed: **Jun. 7, 2022**

(51) **LOC (14) Cl.** ..... **26-05**

(52) **U.S. Cl.**  
USPC ..... **D26/26**

(58) **Field of Classification Search**  
USPC ..... D26/24, 26, 51, 60, 72, 85, 113,  
D26/118-120, 138

CPC ..... Y02B 20/40; H05B 47/115; H05B 47/16;  
F21Y 2115/10; G08B 13/189; F21S  
8/035; F21V 23/0442; F21V 23/0471

See application file for complete search history.

(56) **References Cited**

**U.S. PATENT DOCUMENTS**

D377,535 S *	1/1997	Shulman	.....	D26/26
D403,442 S *	12/1998	Joss	.....	D26/26
D526,422 S *	8/2006	Yuen	.....	D26/26
D821,615 S *	6/2018	Trice	.....	D26/26
D826,456 S *	8/2018	Sonneman	.....	D26/85
D868,339 S *	11/2019	Recker	.....	D26/85
D870,952 S	12/2019	Tan	.....	
D873,448 S *	1/2020	Zhang	.....	D26/26
D876,678 S *	2/2020	Chen	.....	D26/26
D876,679 S *	2/2020	Hou	.....	D26/26
D889,721 S	7/2020	Tan	.....	
D906,569 S *	12/2020	Wu	.....	D26/72
D942,653 S *	2/2022	Pan	.....	D26/26
D945,660 S *	3/2022	Pan	.....	D26/26
D952,218 S *	5/2022	Qiu	.....	D26/26
2021/0148548 A1 *	5/2021	Hou	.....	F21S 9/02

**OTHER PUBLICATIONS**

Motion Sensor Night Light. By EcoGear FX. Dated Mar. 8, 2022. Found online [Dec. 30, 2022]. <https://www.amazon.com/EcoGear-FX-Nightlight-Compact-Bathroom/dp/B09V262F9X/> (Year: 2022).\*  
Motion Sensor Night Light. By Yituous. Dated May 3, 2022. Found online [Dec. 30, 2022]. <https://www.amazon.com/Svarog-Battery-Powered-Cordless-Bedroom/dp/B09Y91JBP7> (Year: 2022).\*  
9 Pack Green Night Light for Home with Smart Motion Sensor. By Nimoco. Dated Jan. 10, 2022. Found online [Dec. 30, 2022]. <https://www.amazon.com/NIMOCO-Battery-Emergency-Portable-Light%EF%BC%88Green%EF%BC%89/dp/B09Q2WJMX6> (Year: 2022).\*

\* cited by examiner

*Primary Examiner* — Mark A Goodwin  
*Assistant Examiner* — William B Melliar  
(74) *Attorney, Agent, or Firm* — ScienBiziP, P.C.

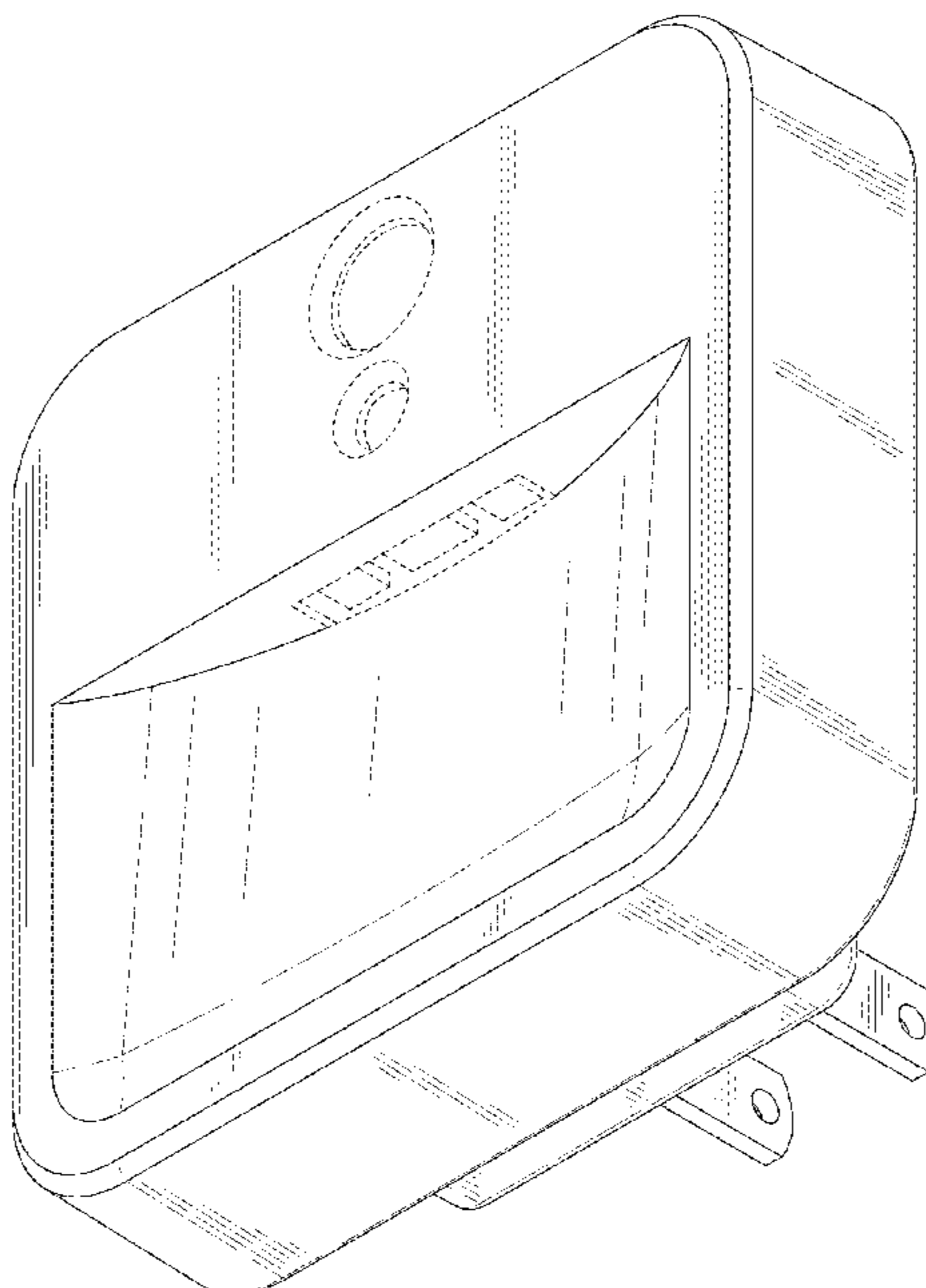
(57) **CLAIM**

The ornamental design for a motion sensor light, as shown and described.

**DESCRIPTION**

FIG. 1 is a front, right and bottom perspective view of a motion sensor light, showing my design.  
FIG. 2 is a rear, left and top perspective view thereof.  
FIG. 3 is a front elevation view thereof.  
FIG. 4 is a rear elevation view thereof.  
FIG. 5 is a left side elevation view thereof.  
FIG. 6 is a right side elevation view thereof.  
FIG. 7 is a top plan view thereof; and,  
FIG. 8 is a bottom plan view thereof.  
The broken lines shown in the drawings are included for the purpose of illustrating portions of the motion sensor light that form no part of the claimed design.

**1 Claim, 8 Drawing Sheets**



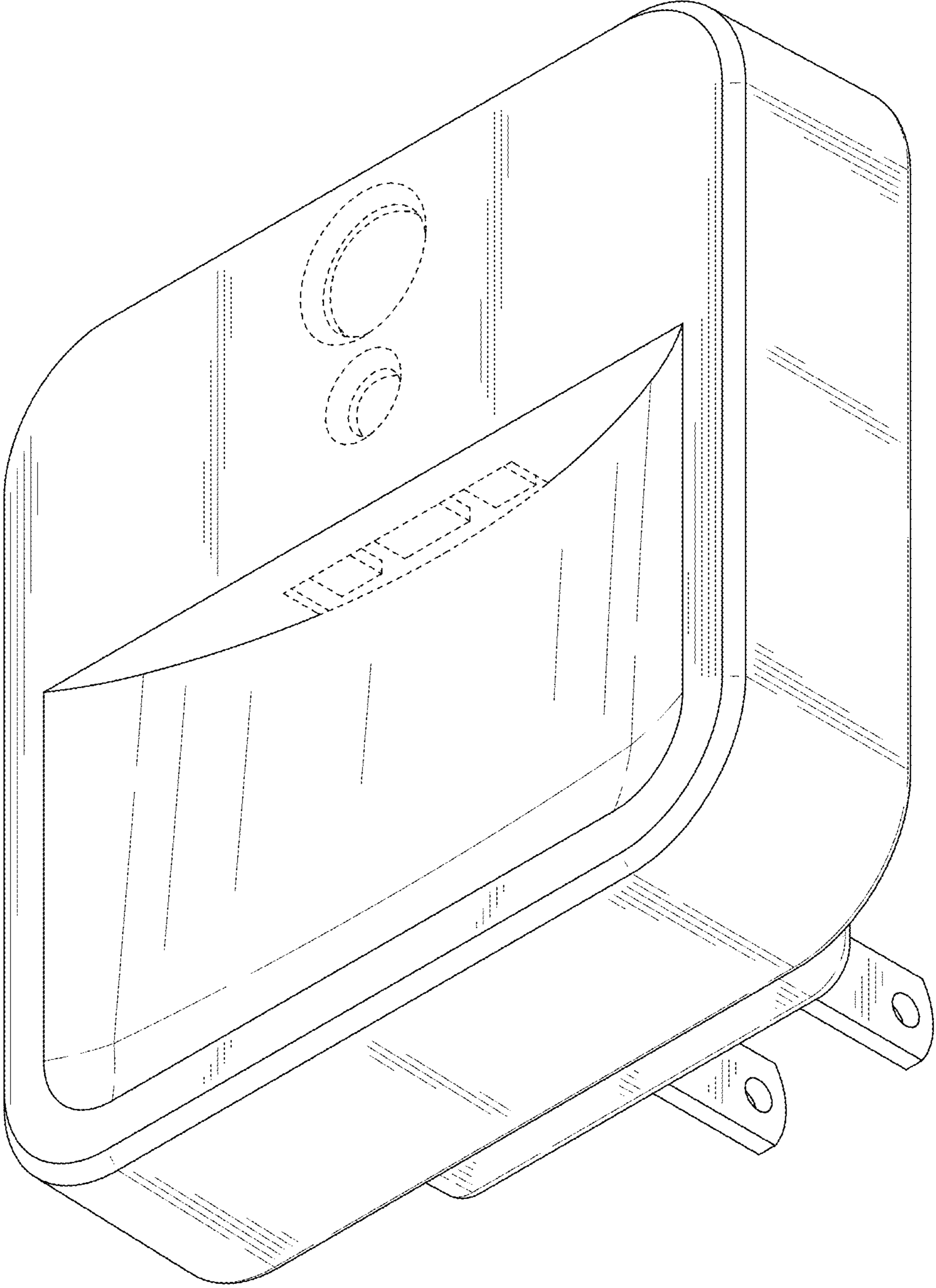


FIG. 1

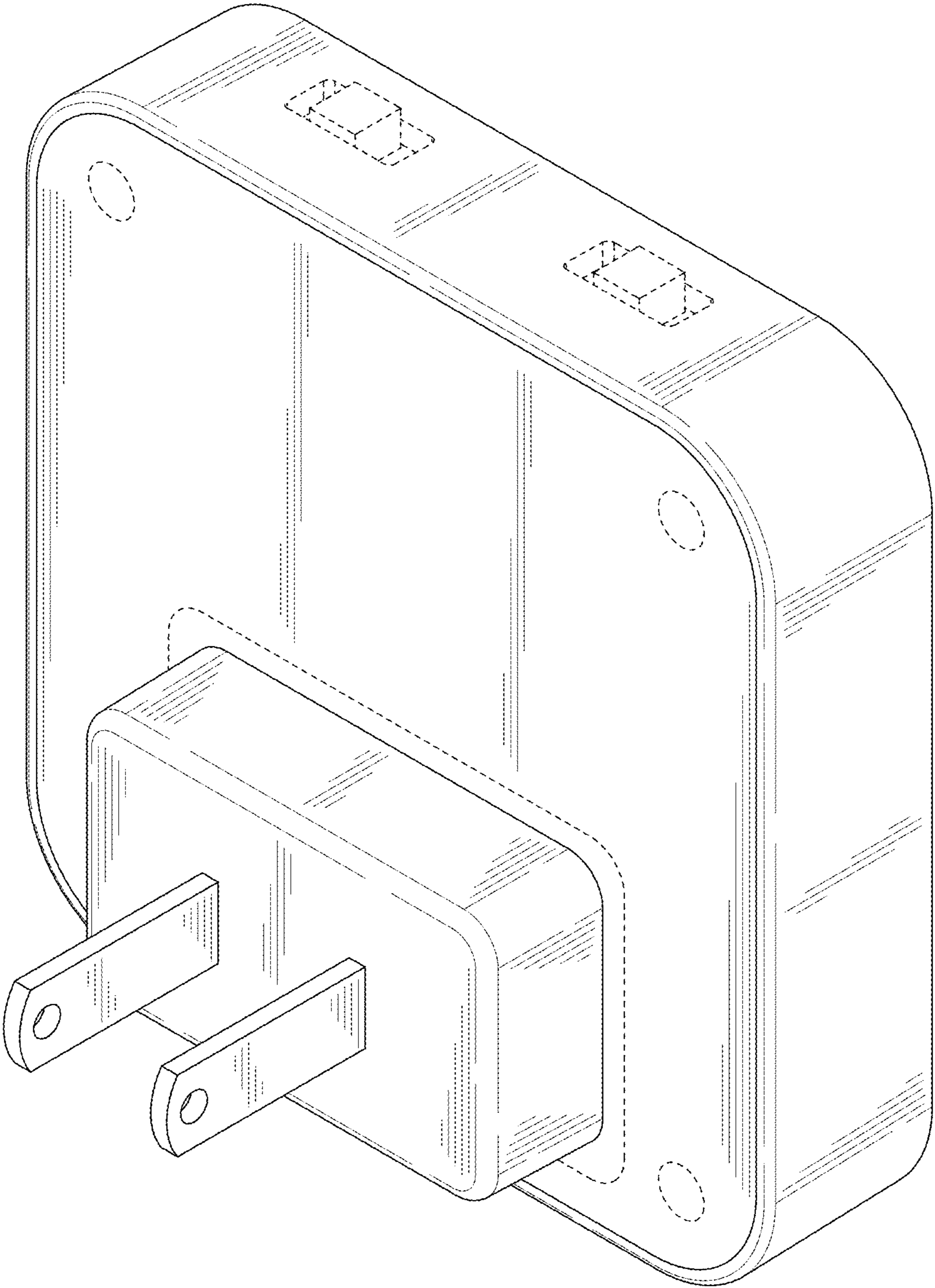


FIG. 2

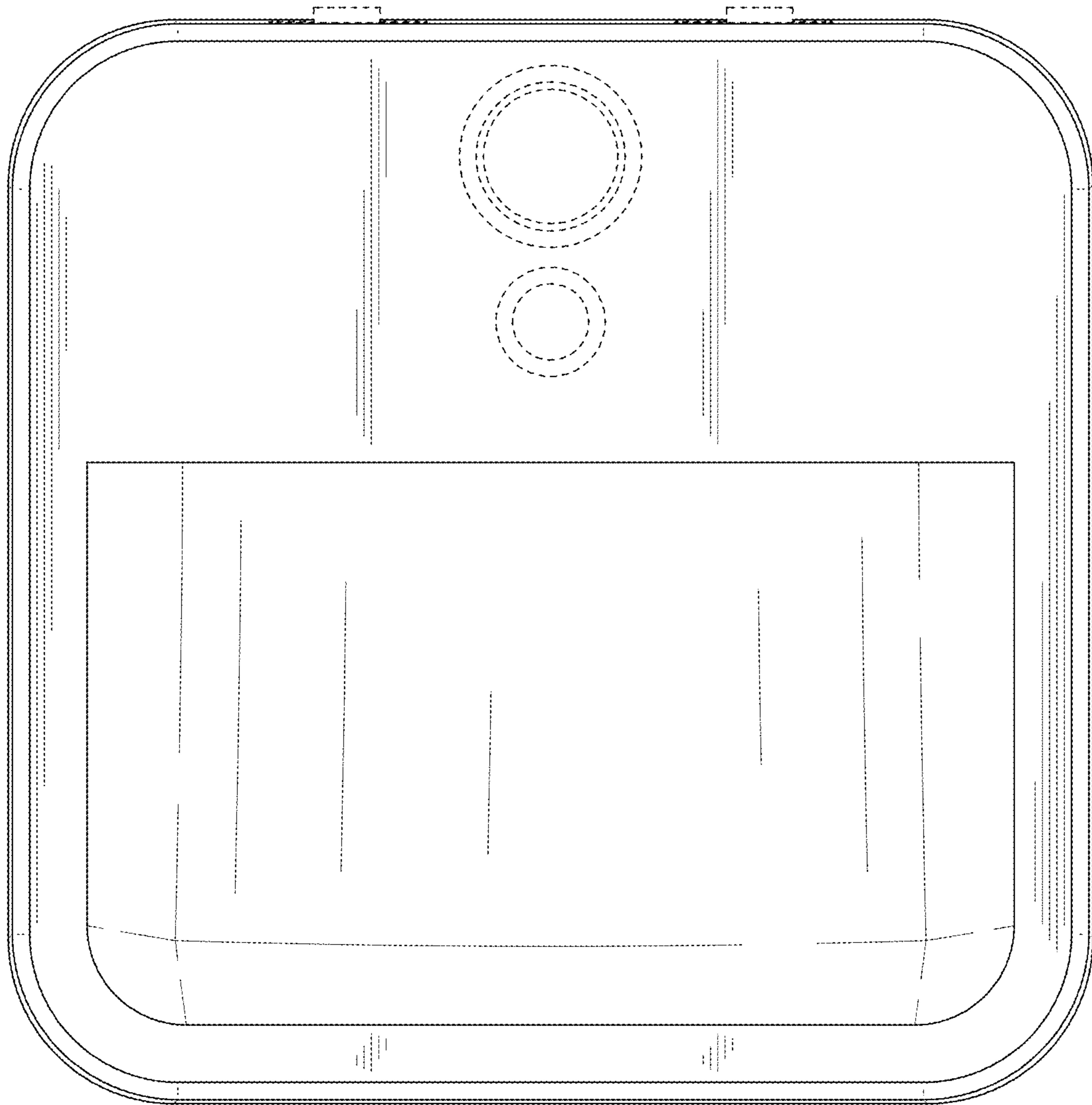


FIG. 3



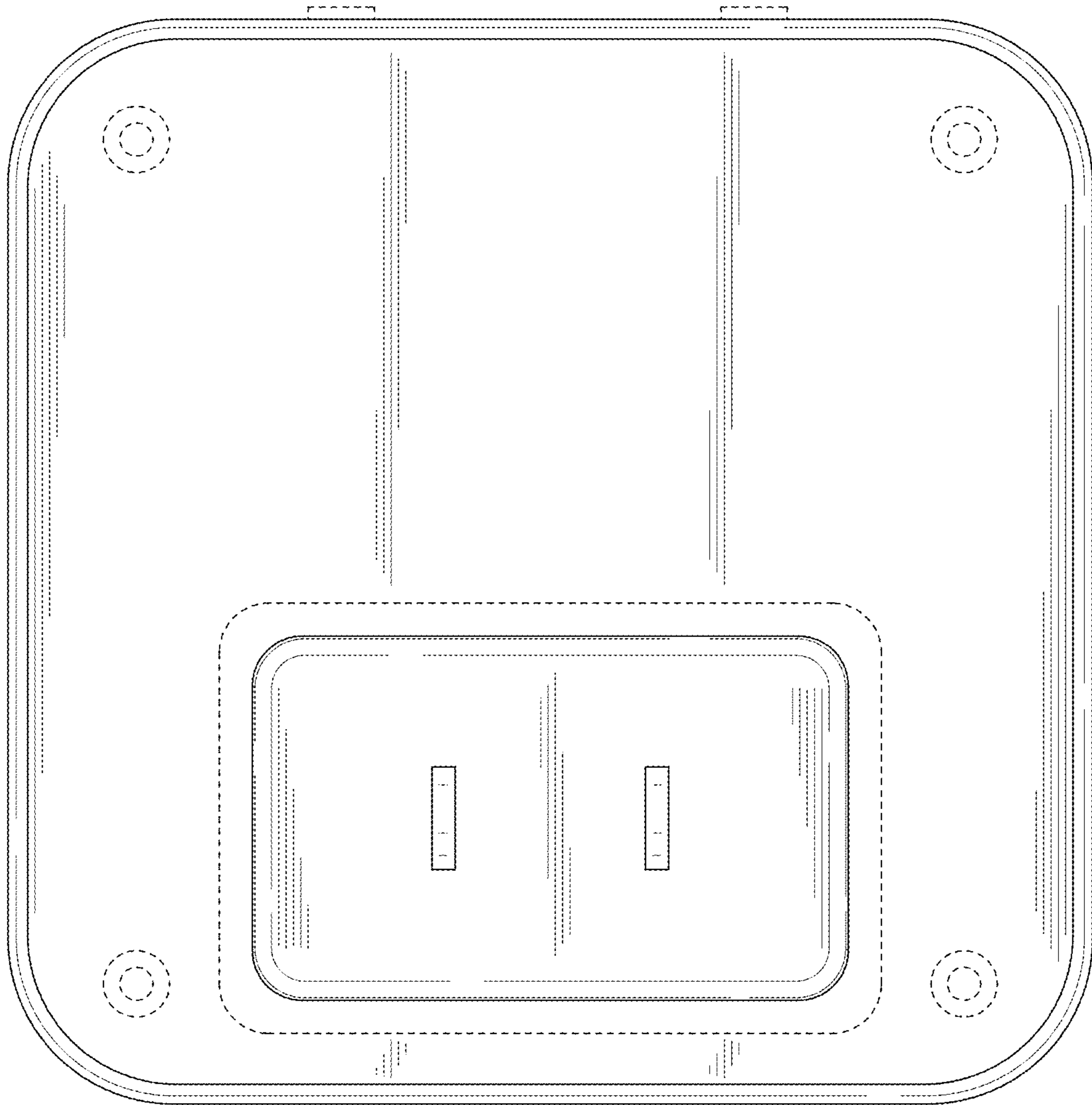


FIG. 4

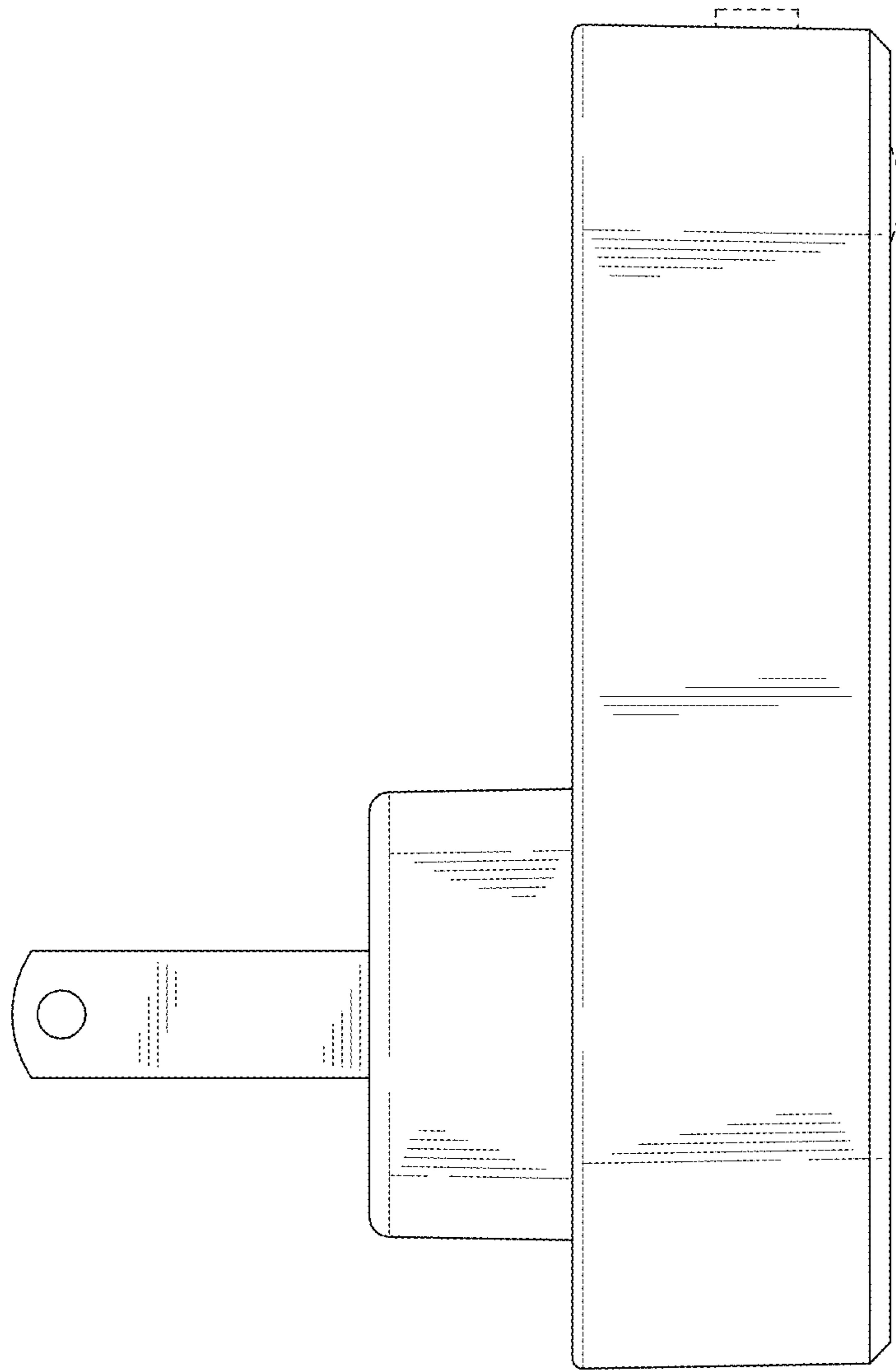


FIG. 5

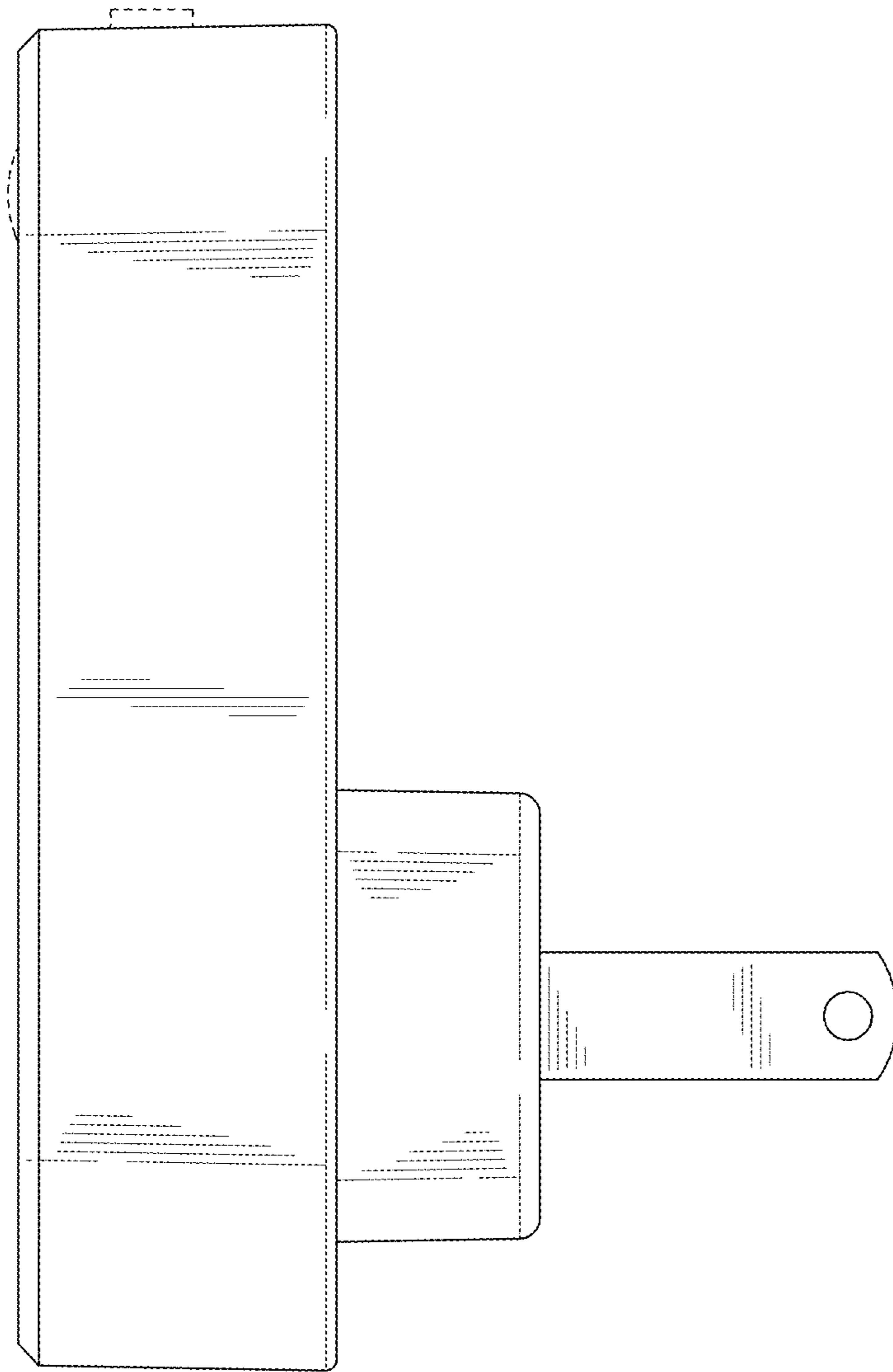


FIG. 6

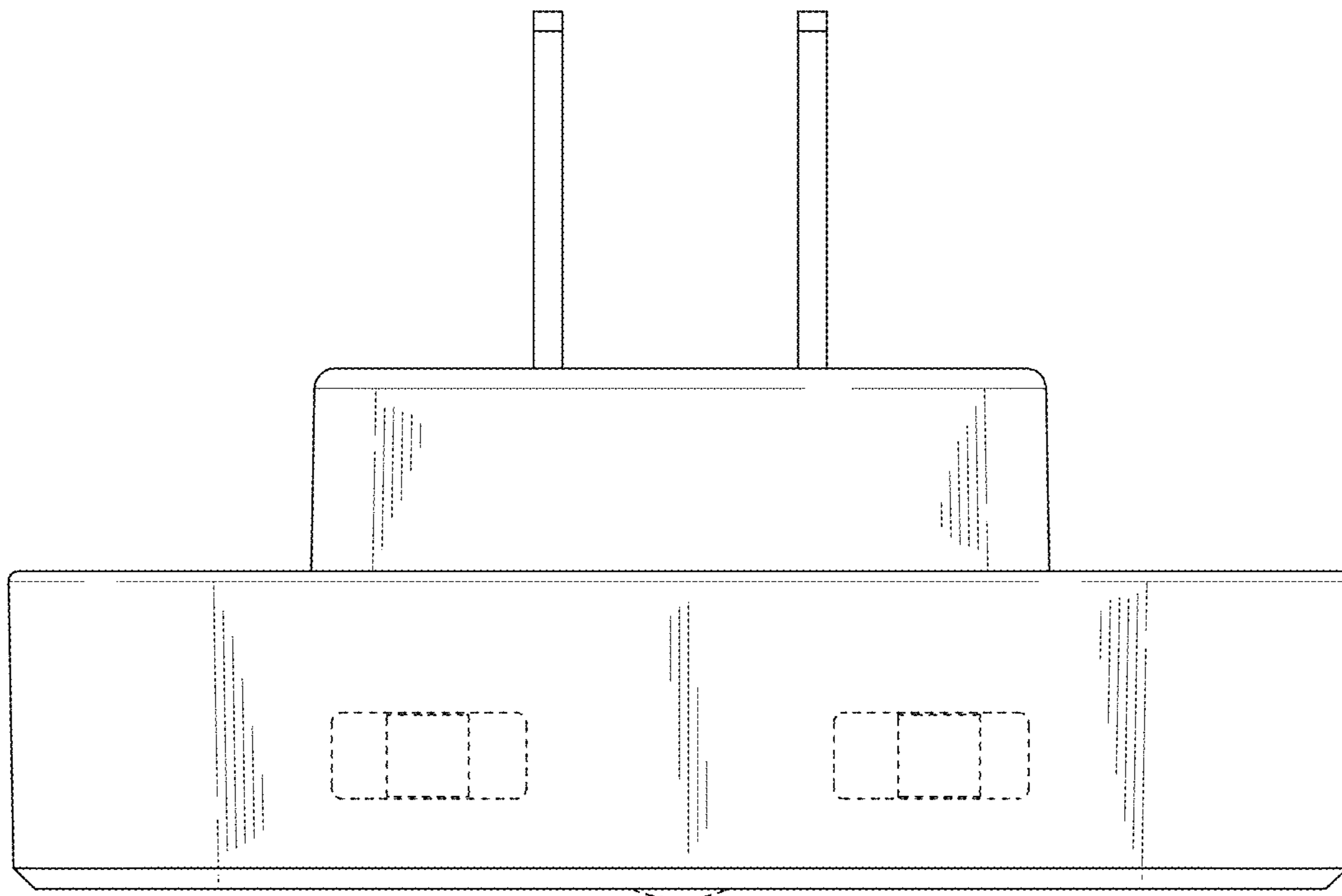


FIG. 7



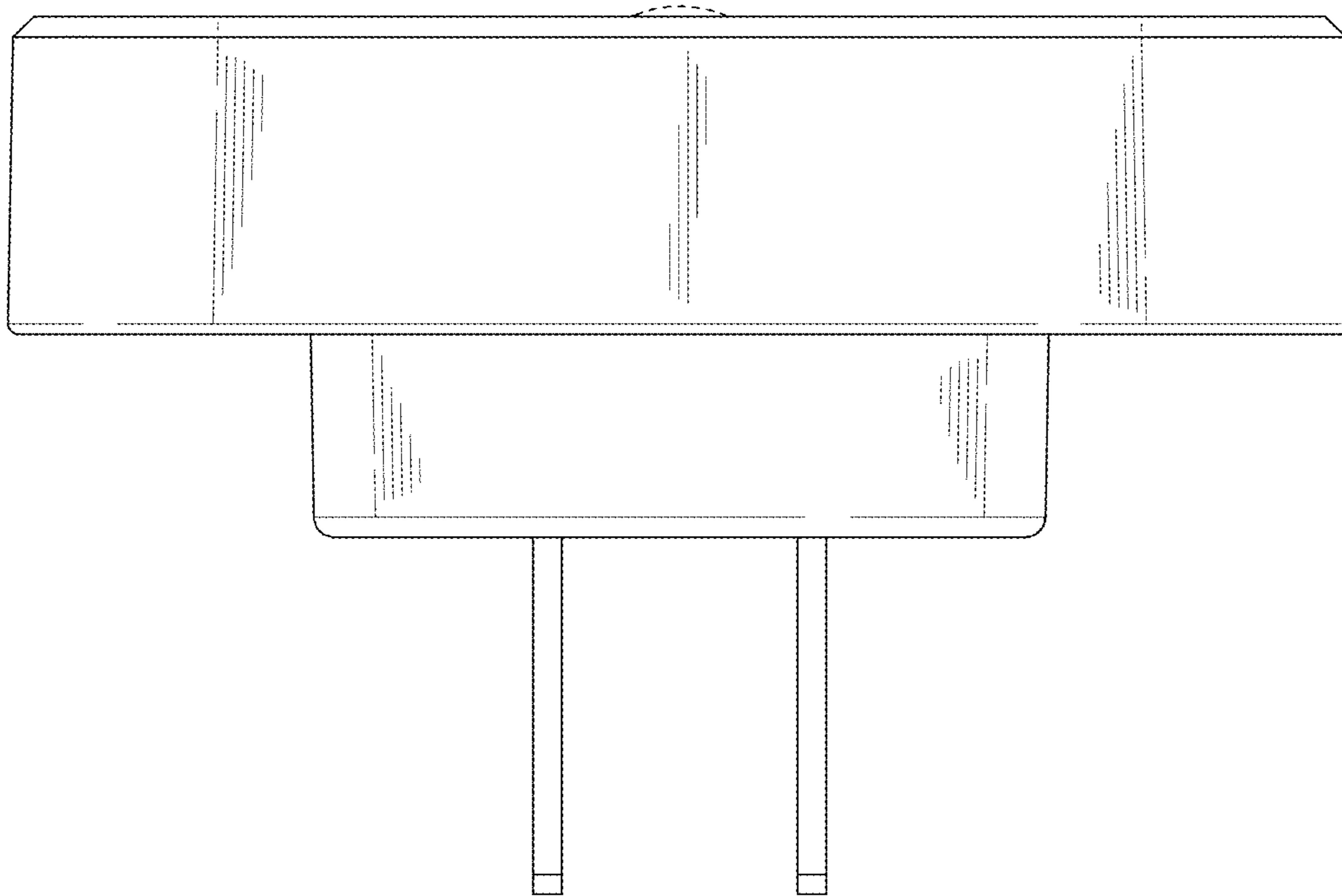


FIG. 8