



US00D980466S

(12) **United States Design Patent**  
**Sun**

(10) **Patent No.:** **US D980,466 S**  
(45) **Date of Patent:** **\*\* Mar. 7, 2023**

(54) **LIGHT**

(71) Applicant: **Huijuan Sun**, Linhai (CN)

(72) Inventor: **Huijuan Sun**, Linhai (CN)

(\*\*) Term: **15 Years**

(21) Appl. No.: **29/859,634**

(22) Filed: **Nov. 11, 2022**

(51) **LOC (14) Cl.** ..... **26-03**

(52) **U.S. Cl.**  
USPC ..... **D26/25**

(58) **Field of Classification Search**  
USPC ..... D26/1, 2, 4, 24, 25, 27; D11/117, 121,  
D11/130

CPC ..... F21S 4/10; F21S 4/20; F21S 4/00; F21S  
4/15; F21S 4/22; F21S 8/06

See application file for complete search history.

(56) **References Cited**

**U.S. PATENT DOCUMENTS**

D408,319 S *	4/1999	Byers	.....	D11/118
D415,583 S *	10/1999	Byers	.....	D11/124
D457,648 S *	5/2002	Chang	.....	D11/121
D476,594 S *	7/2003	Preuss	.....	D11/118
D909,630 S	2/2021	Liu		

D914,927 S	3/2021	Liu		
D925,781 S *	7/2021	Yong	.....	D26/25
D925,782 S *	7/2021	Yong	.....	D26/25
D963,902 S *	9/2022	Wang	.....	D26/25
D973,239 S *	12/2022	Tian	.....	D26/25

\* cited by examiner

*Primary Examiner* — Michael A. Pratt

(74) *Attorney, Agent, or Firm* — Daniel M. Cohn;  
Howard M. Cohn

(57) **CLAIM**

The ornamental design for a light, as shown and described.

**DESCRIPTION**

FIG. 1 is a perspective view of a light showing my new design;  
 FIG. 2 is another perspective view thereof;  
 FIG. 3 is a front elevational view thereof;  
 FIG. 4 is a rear elevational view thereof;  
 FIG. 5 is a left side elevational view thereof;  
 FIG. 6 is a right side elevational view thereof;  
 FIG. 7 is a top plan view thereof;  
 FIG. 8 is a bottom plan view thereof; and,  
 FIG. 9 is an enlarged view of portion 9 shown in FIG. 1.  
 The light is shown with a symbolic break in its length and the appearance of any portion of the light between the break line form no part of the claimed design.

**1 Claim, 9 Drawing Sheets**

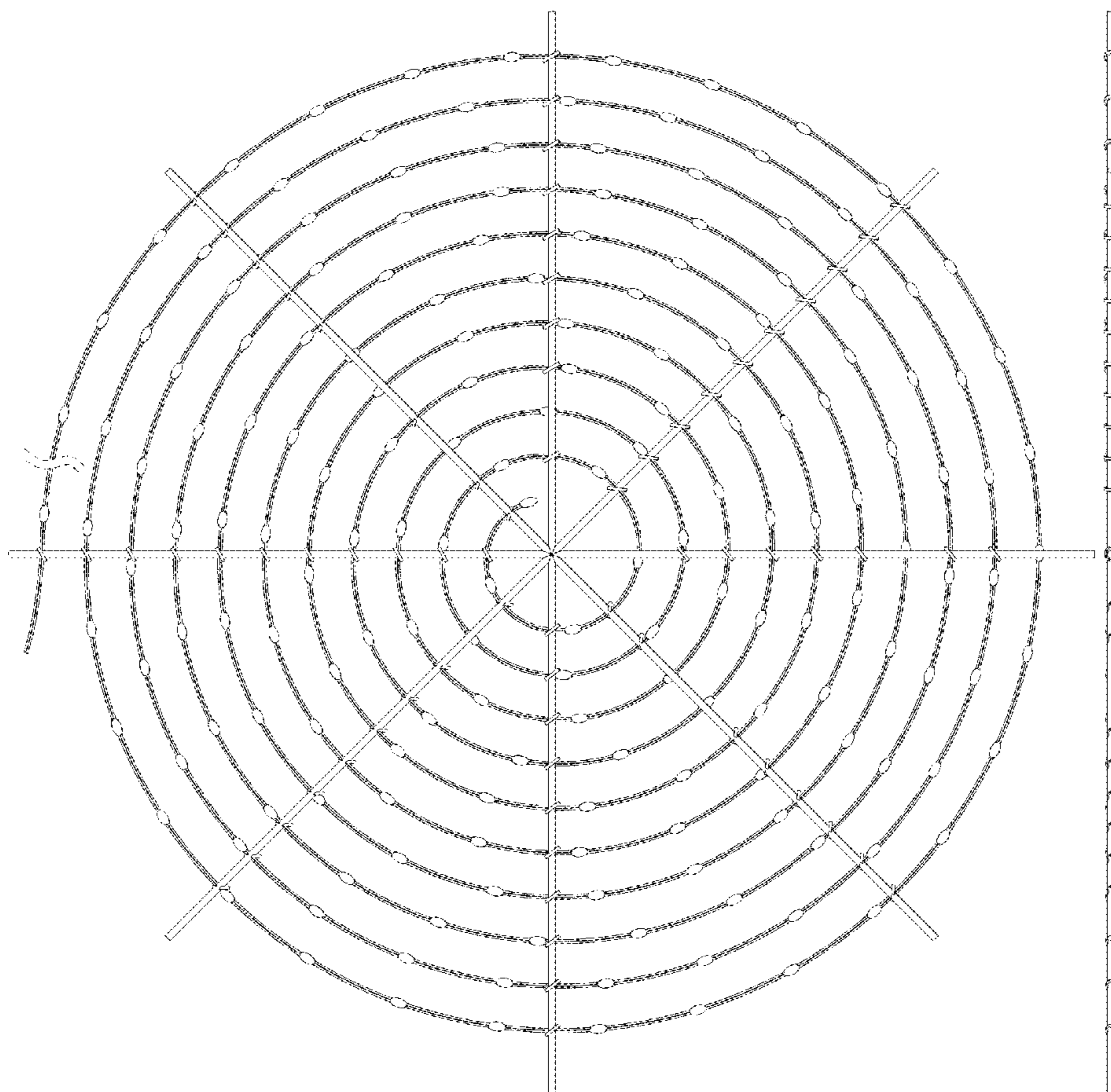




FIG. 1



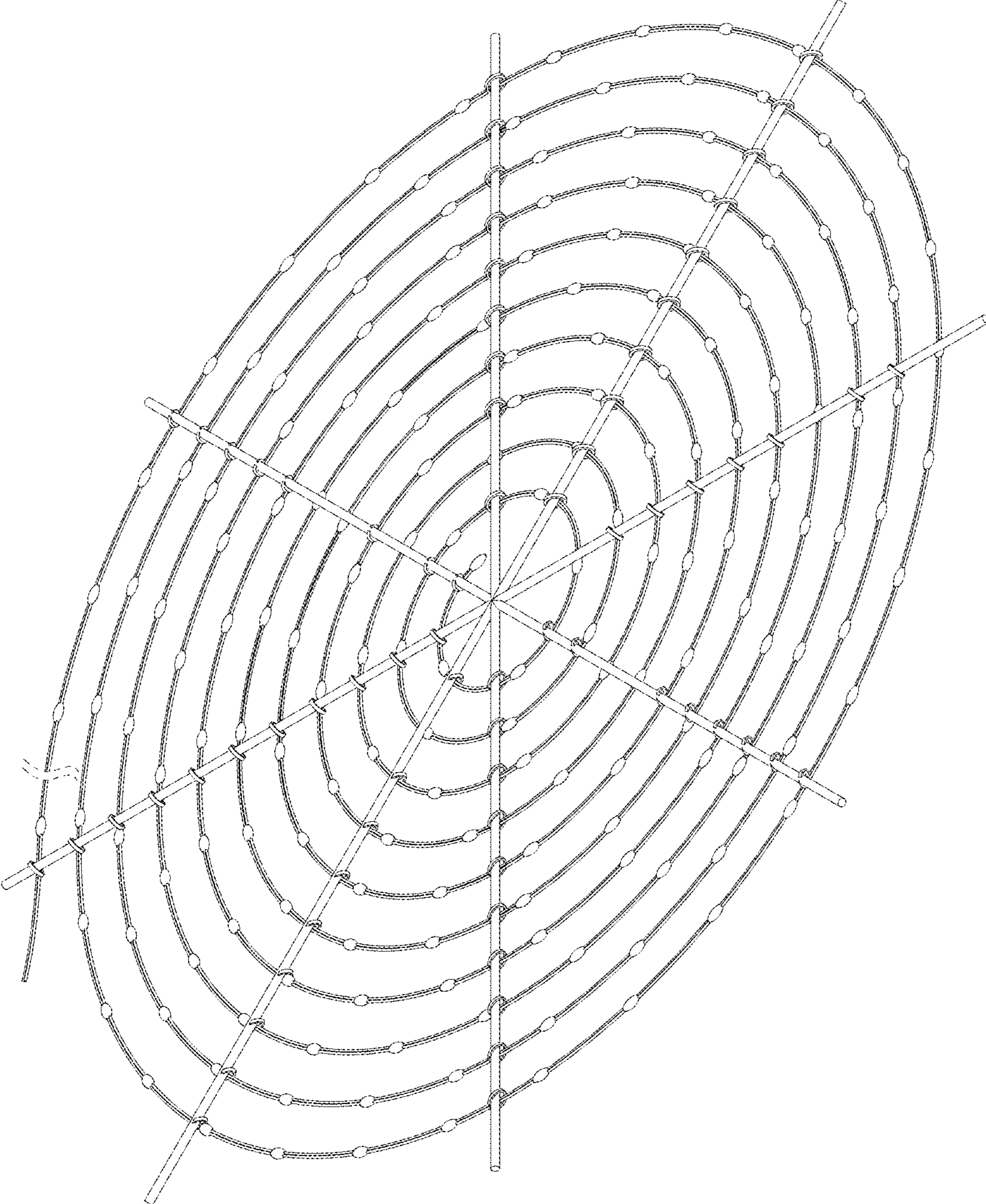


FIG. 2

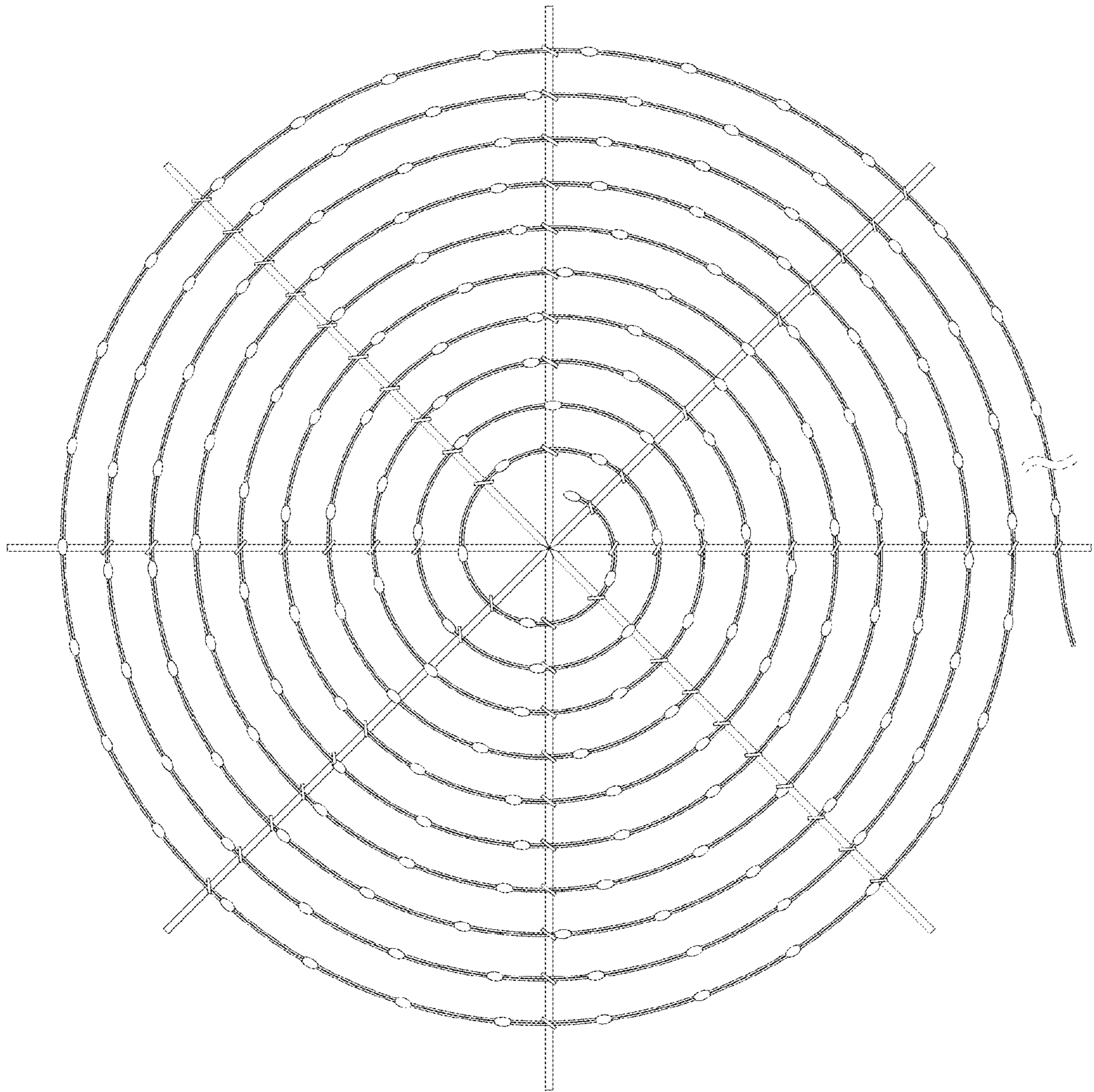


FIG. 3



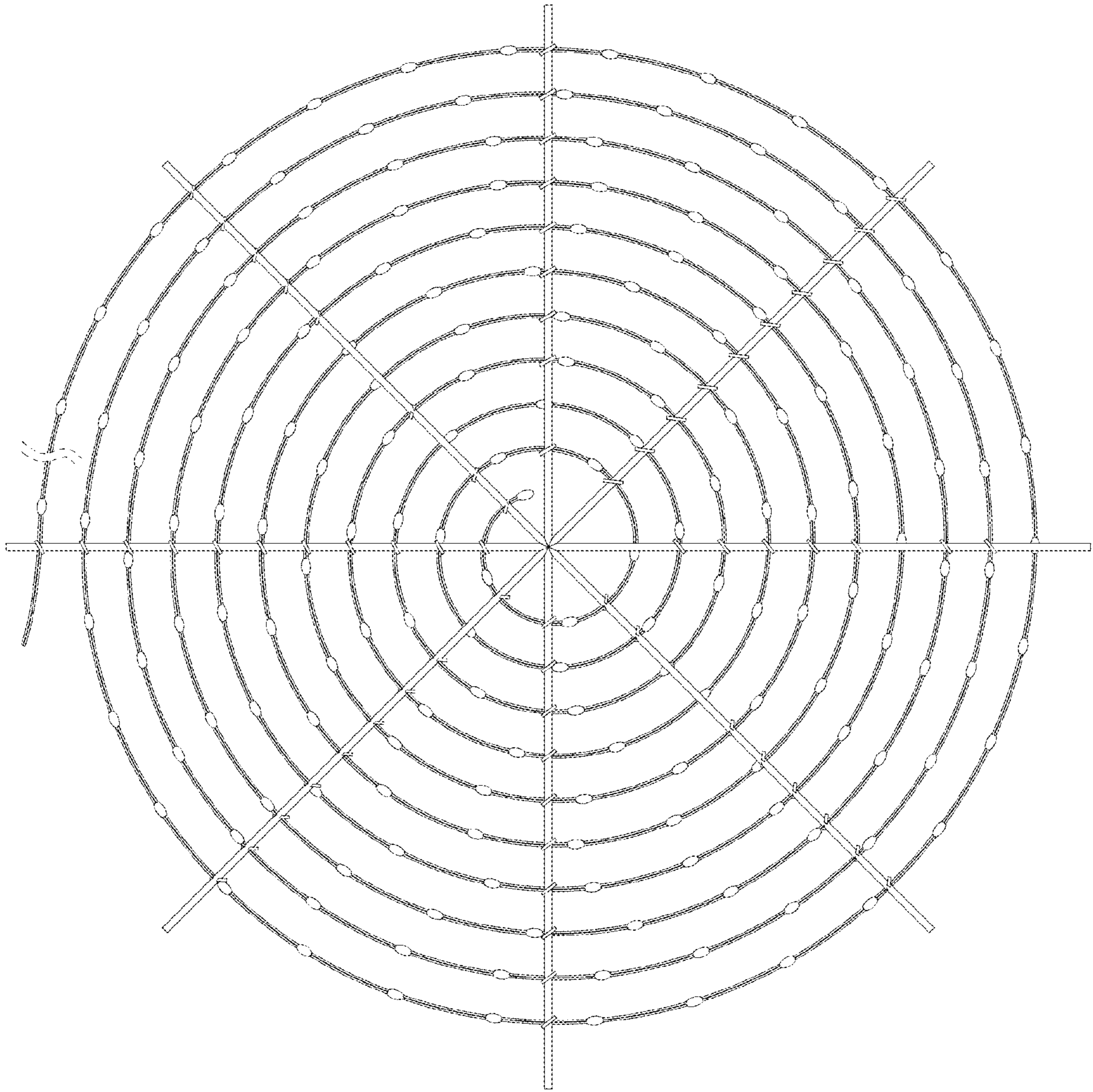


FIG. 4



FIG. 5



FIG. 6



FIG. 7





FIG. 8

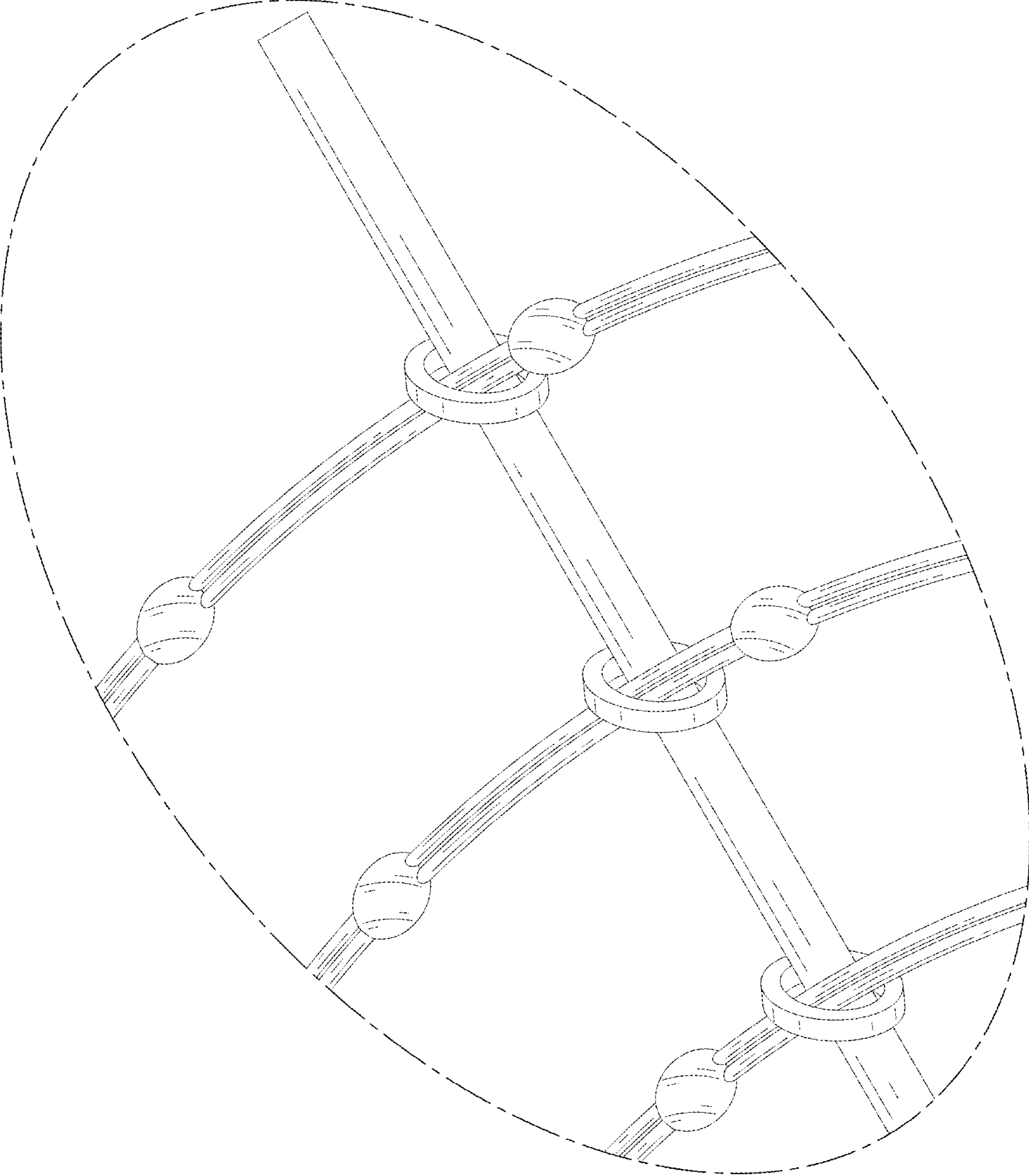


FIG. 9