



US00D980463S

(12) **United States Design Patent**  
**Zhou**

(10) **Patent No.:** **US D980,463 S**  
(45) **Date of Patent:** **\*\* Mar. 7, 2023**

(54) **LAMP**

(71) Applicant: **SHENZHEN YULIANG ELECTRONIC LIGHTING CO., LTD.**, Shenzhen (CN)

(72) Inventor: **Hongxue Zhou**, Taizhou (CN)

(73) Assignee: **SHENZHEN YULIANG ELECTRONIC LIGHTING CO., LTD.**, Shenzhen (CN)

(\*\*) Term: **15 Years**

(21) Appl. No.: **29/771,719**

(22) Filed: **Feb. 24, 2021**

**Related U.S. Application Data**

(62) Division of application No. 29/758,227, filed on Nov. 13, 2020, now Pat. No. Des. 917,083.

(51) **LOC (14) Cl.** ..... **26-04**

(52) **U.S. Cl.**  
USPC ..... **D26/25; D11/121**

(58) **Field of Classification Search**  
USPC ..... D26/1-4, 24, 73, 94, 101, 102, 118, 25, D26/26, 57, 67, 70, 96, 125; D11/117, D11/119, 121, 122, 124, 125  
CPC ..... F21V 5/00; F21V 6/00; F21V 7/05; F21V 7/06; F21V 9/00; F21V 21/044; F21V 21/047; F21V 21/049; F21Y 2115/10; F21S 8/02; F21S 8/026; F21S 6/00; A45F 3/00  
See application file for complete search history.

(56) **References Cited**

**U.S. PATENT DOCUMENTS**

D397,956 S \* 9/1998 Lee ..... F21S 4/10  
D11/117  
D406,667 S \* 3/1999 Byers ..... A47G 33/10  
D11/124

D816,884 S 5/2018 Rachele  
D873,461 S 1/2020 Chen  
D910,889 S \* 2/2021 Zhou ..... D26/25  
D917,083 S \* 4/2021 Zhou ..... D26/25  
D925,783 S \* 7/2021 Xiao ..... D26/25  
(Continued)

**OTHER PUBLICATIONS**

Amazon-Henhui; "Henhui . . . Christmas Tree Toppers String Lights . . ."; [online] 'https://www.amazon.com/HHUI-Christmas-Decorations-Charging-Solar-Multicolor/dp/B08SKYLT7?'; dated Nov. 1, 2020; accessed Dec. 12, 2022; 3pgs. (Year: 2020).\*

(Continued)

*Primary Examiner* — Keli L Hill

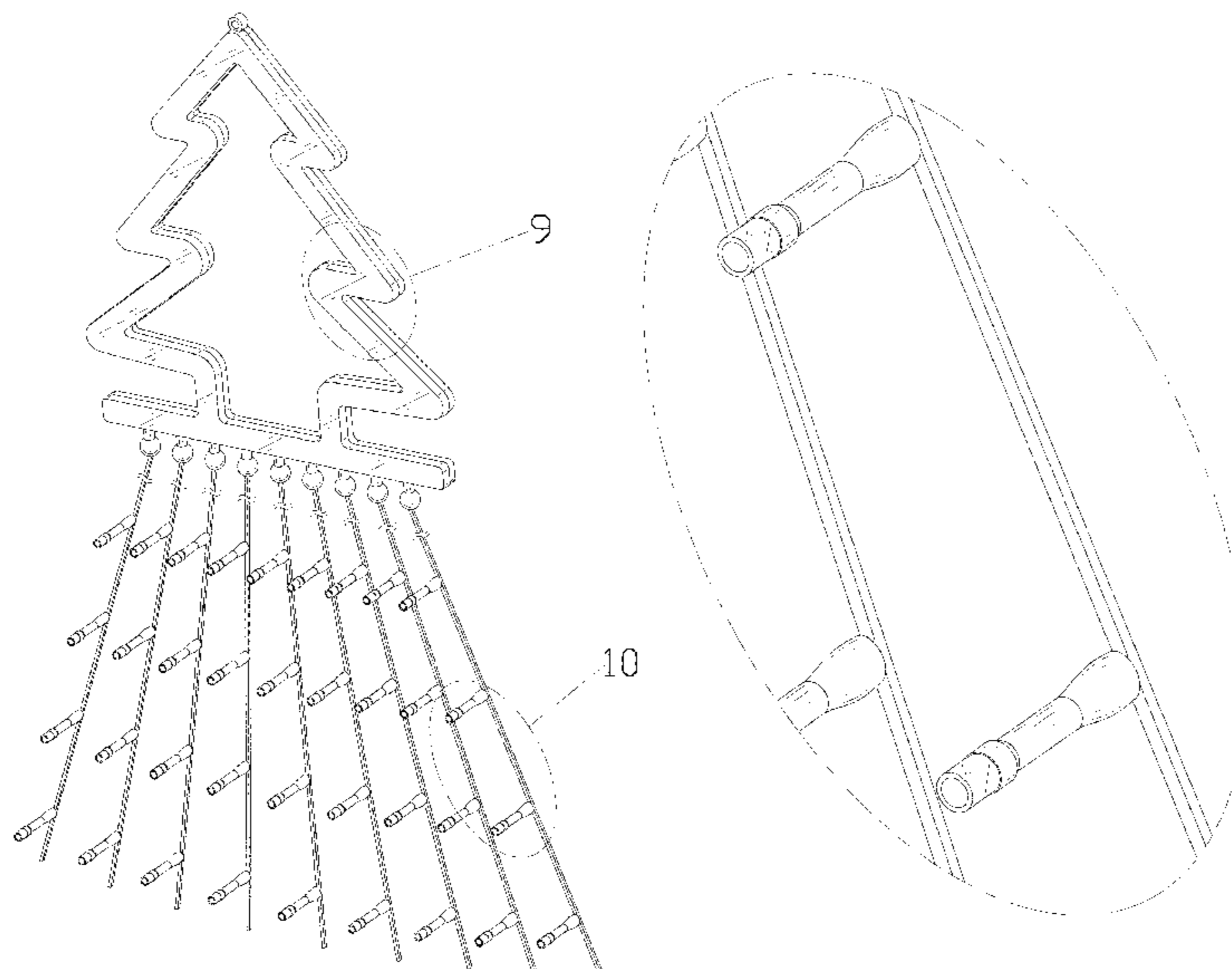
(57) **CLAIM**

The ornamental design for a lamp, as shown and described.

**DESCRIPTION**

FIG. 1 is a perspective view of a lamp showing my new design;  
FIG. 2 is another perspective view thereof;  
FIG. 3 is a front elevational view thereof;  
FIG. 4 is a rear elevational view thereof;  
FIG. 5 is a left side elevational view thereof;  
FIG. 6 is a right side elevational view thereof;  
FIG. 7 is a top plan view thereof;  
FIG. 8 is a bottom plan view thereof;  
FIG. 9 is an enlarged view of portion 9 shown in FIG. 1; and,  
FIG. 10 is an enlarged view of portion 10 shown in FIG. 1.  
The lamp is shown with a symbolic break in its length and the appearance of any portion of the lamp between the break lines form no part of the claimed design. The broken lines in FIGS. 1, 9 and 10 shown encircling the partial enlarged detail views are for annotative purposes only and form no part of the claimed design.

**1 Claim, 10 Drawing Sheets**



(56)

**References Cited**

## U.S. PATENT DOCUMENTS

D952,200 S \* 5/2022 Zhou ..... D11/124  
D957,696 S \* 7/2022 Yu ..... D11/121  
D957,698 S \* 7/2022 Wang ..... D26/25  
D967,469 S \* 10/2022 Dai ..... D26/25  
D968,662 S \* 11/2022 Tao ..... D26/25  
D971,455 S \* 11/2022 Zhou ..... D11/121  
D974,599 S \* 1/2023 Xu ..... D26/25  
D974,601 S \* 1/2023 Guo ..... D26/25  
D975,328 S \* 1/2023 Yang ..... D11/121  
2006/0227549 A1 \* 10/2006 Cheng ..... F21S 4/10  
362/249.19  
2018/0042421 A1 \* 2/2018 Bennett ..... A47G 33/10

## OTHER PUBLICATIONS

Amazon-JXLEDAYY; "Outdoor Christmas Decorations . . . ";  
[online] '<https://www.amazon.com/Christmas-Decorations-Installation-Waterproof-Thanksgiving/dp/B094YLCFRL>'; dated May 16, 2021;  
accessed Dec. 12, 2022; 5pgs. (Year: 2021).\*

Amazon-Muyun; "MuyunChristmas Decorations . . . "; [online]  
'<https://www.amazon.com/MUYUN-Waterfall-Christmas-Decorative-Star-White/dp/B08LC7YYW3>'; dated Nov. 20, 2020; accessed Dec.  
12, 2022; 4pgs. (Year: 2020).\*

\* cited by examiner

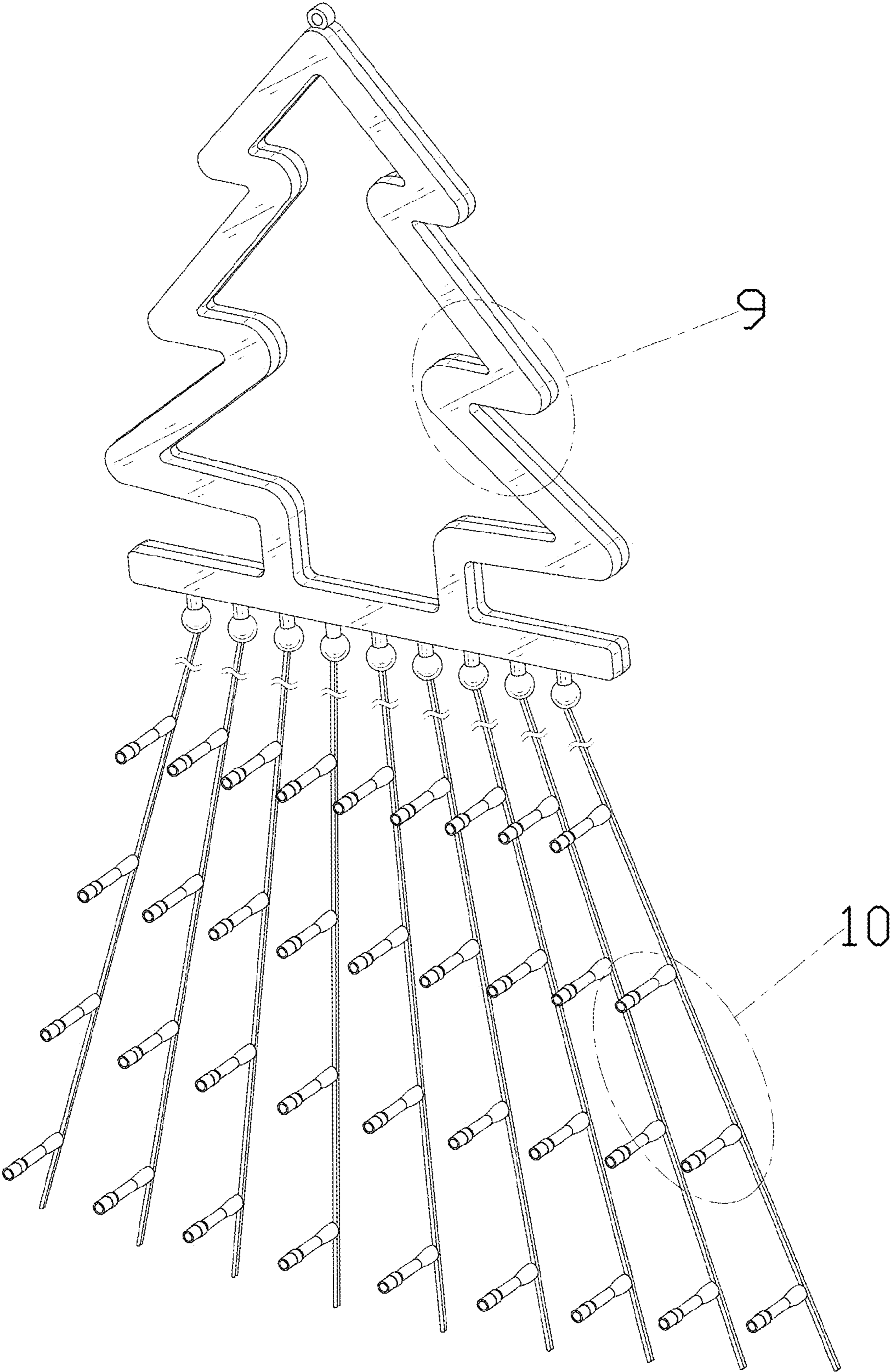


FIG. 1

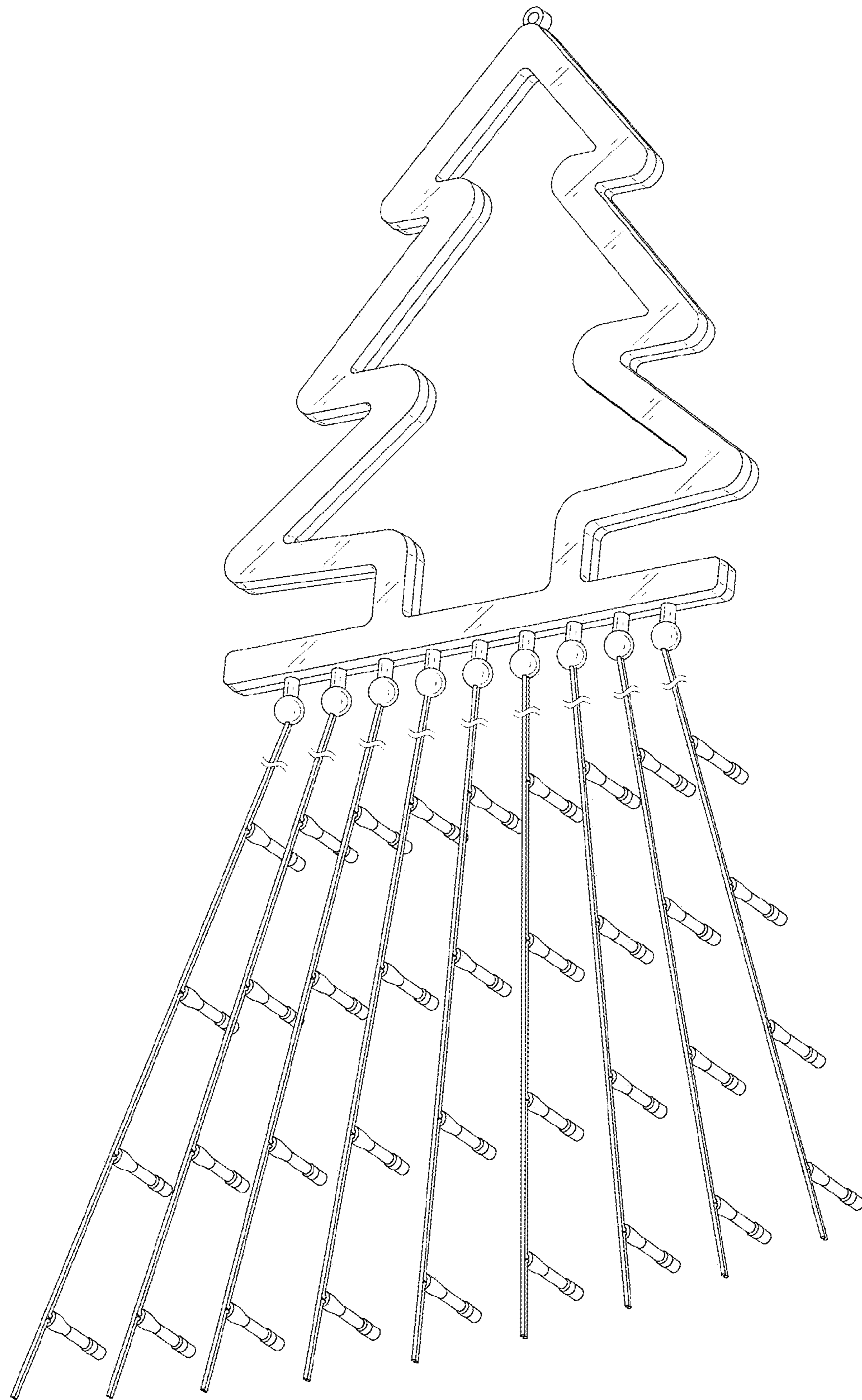


FIG. 2

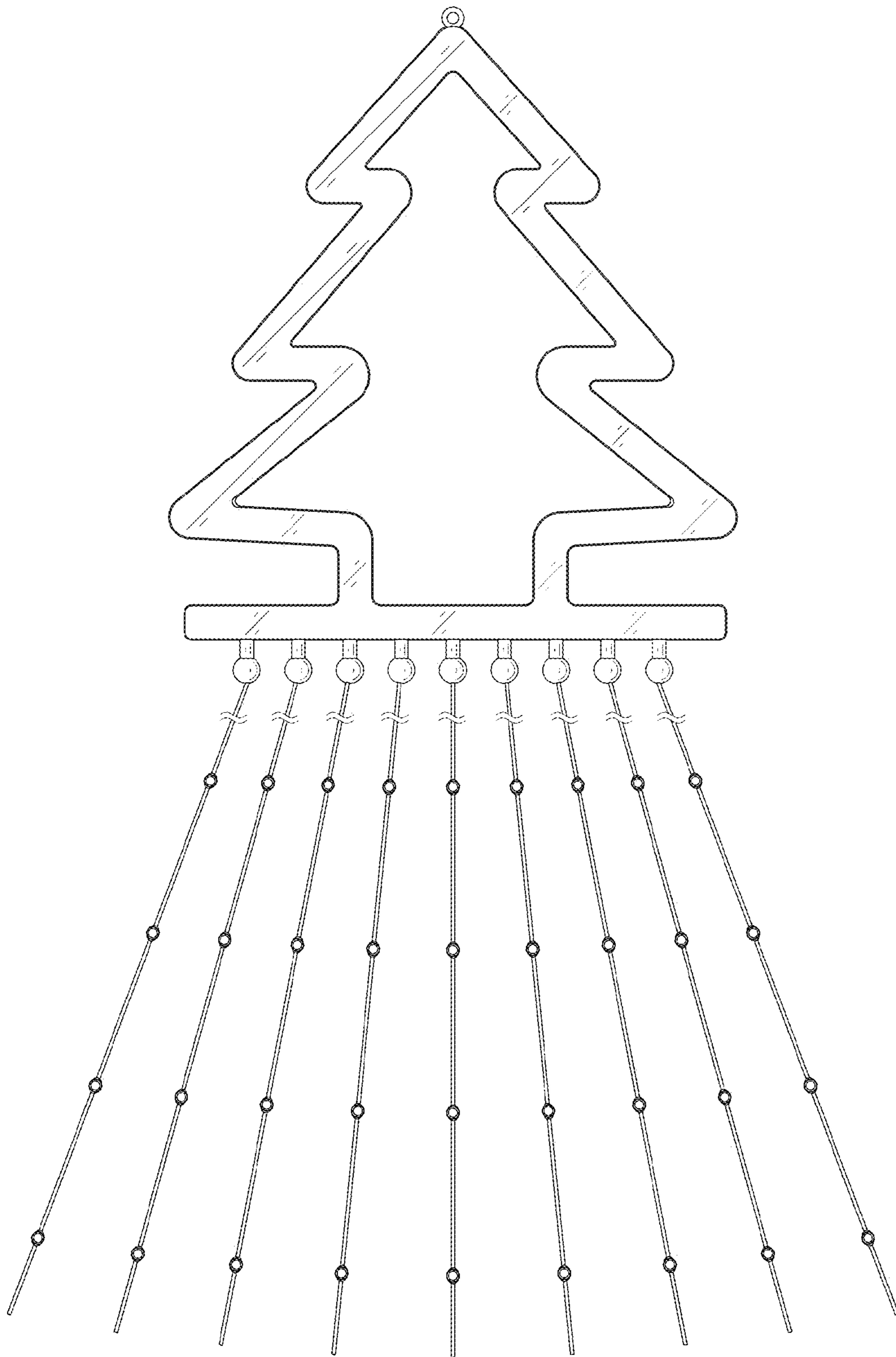


FIG. 3

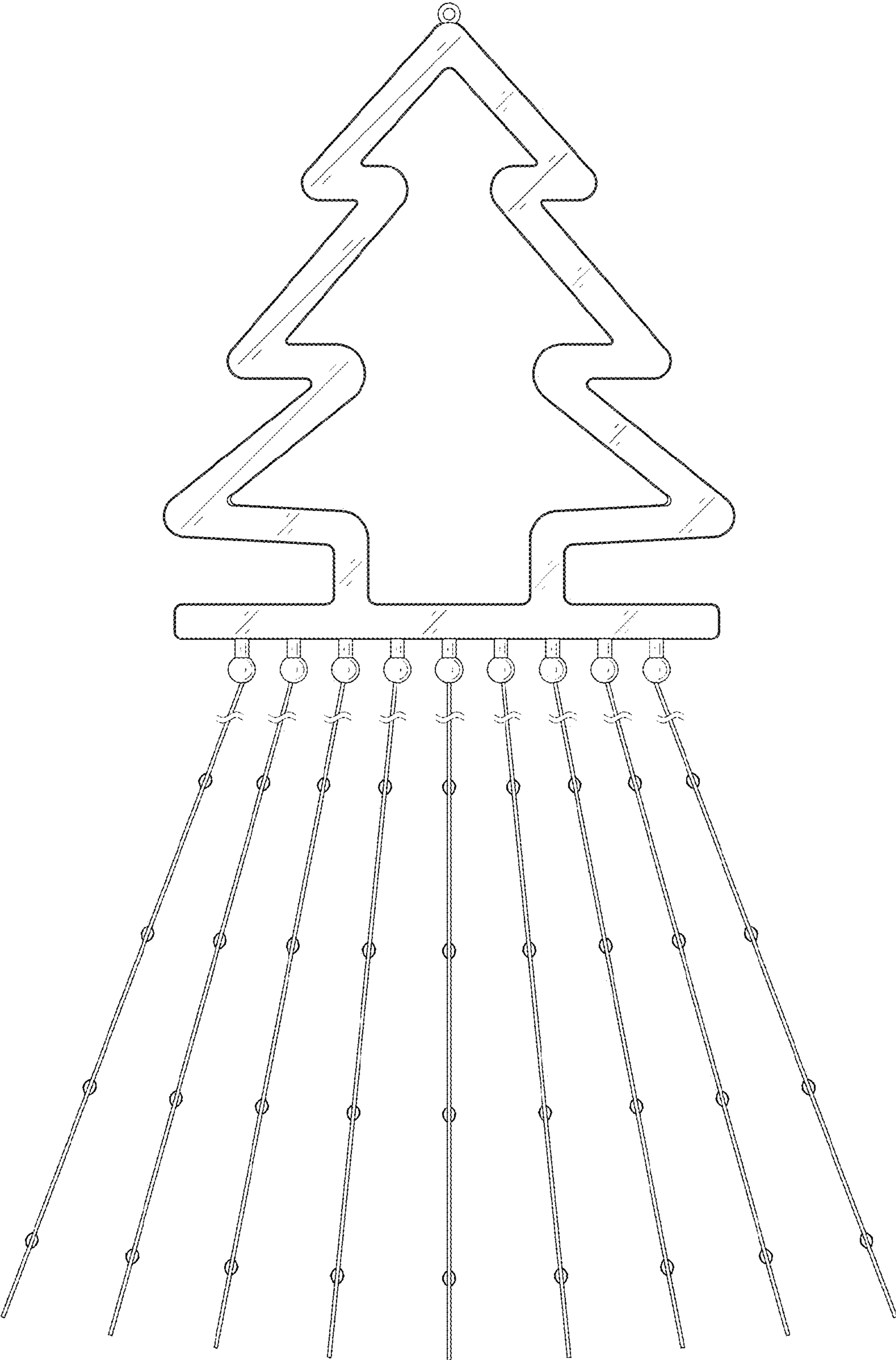


FIG. 4

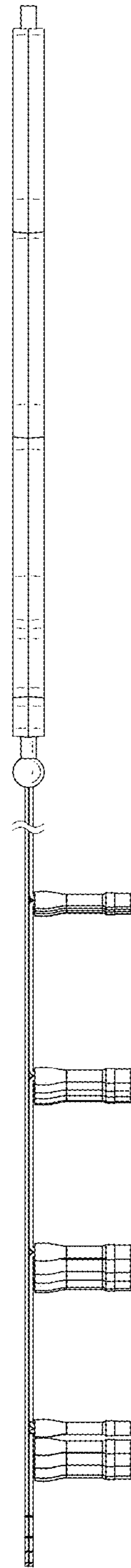


FIG. 5

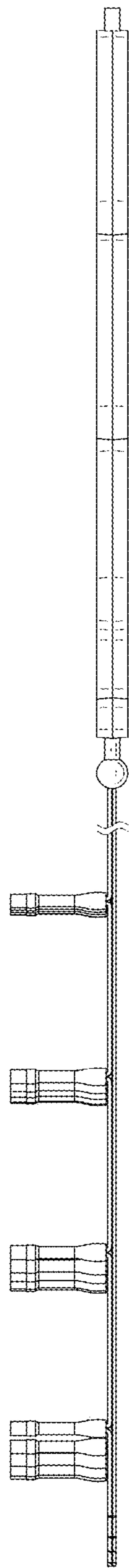


FIG. 6



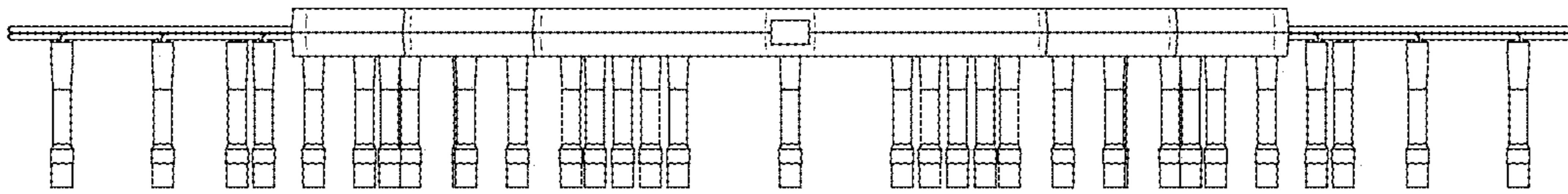


FIG. 7

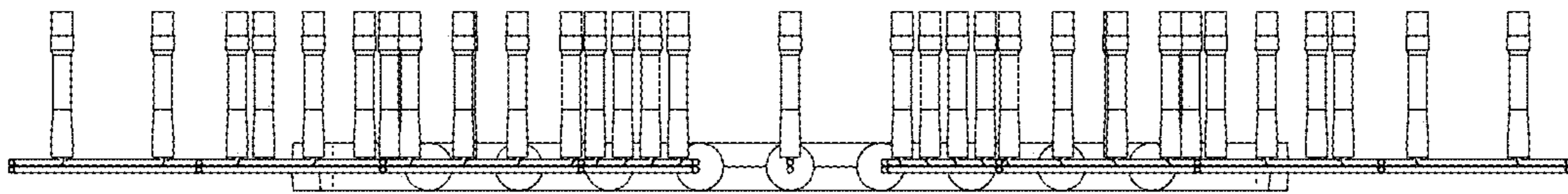


FIG. 8

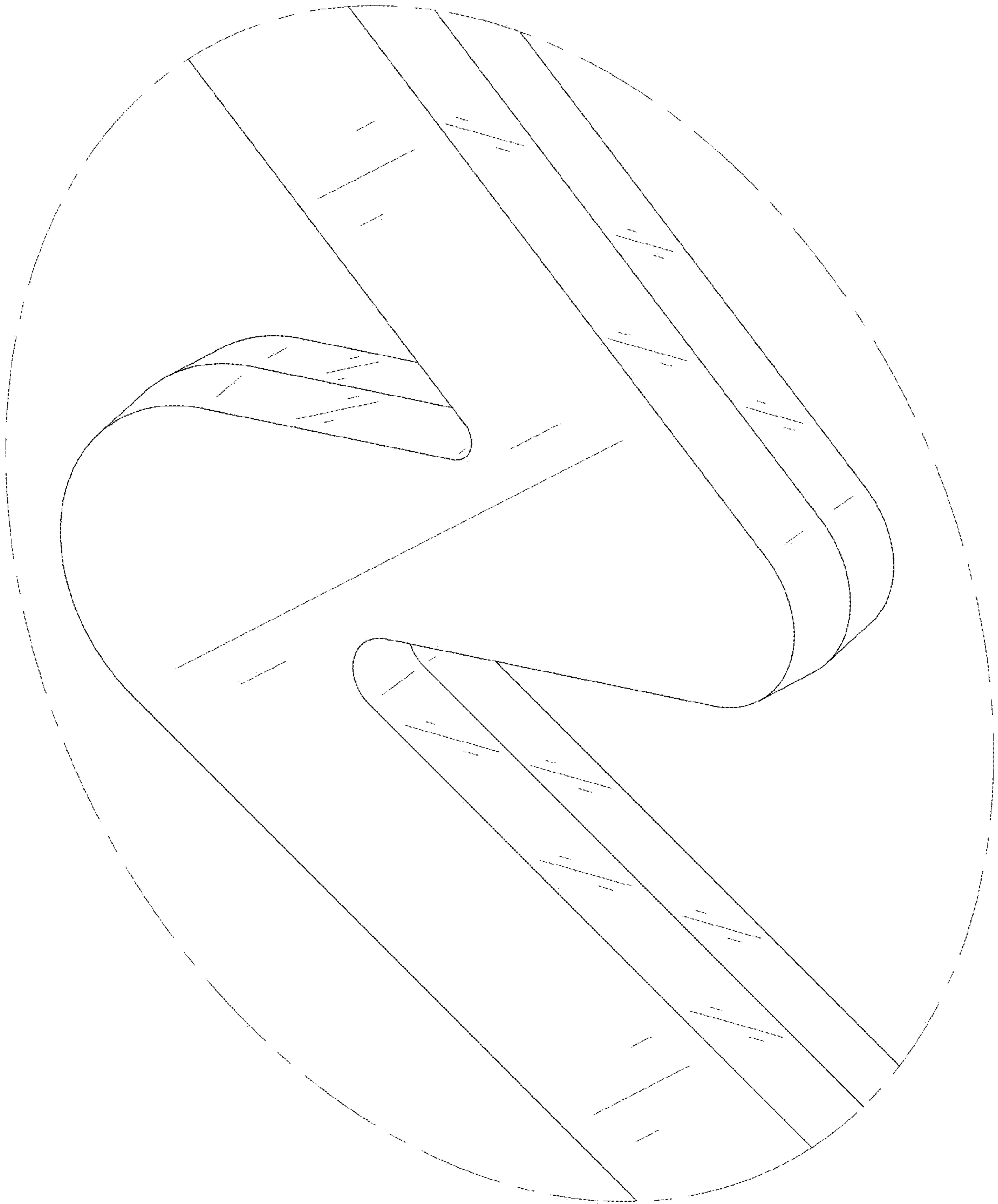


FIG. 9

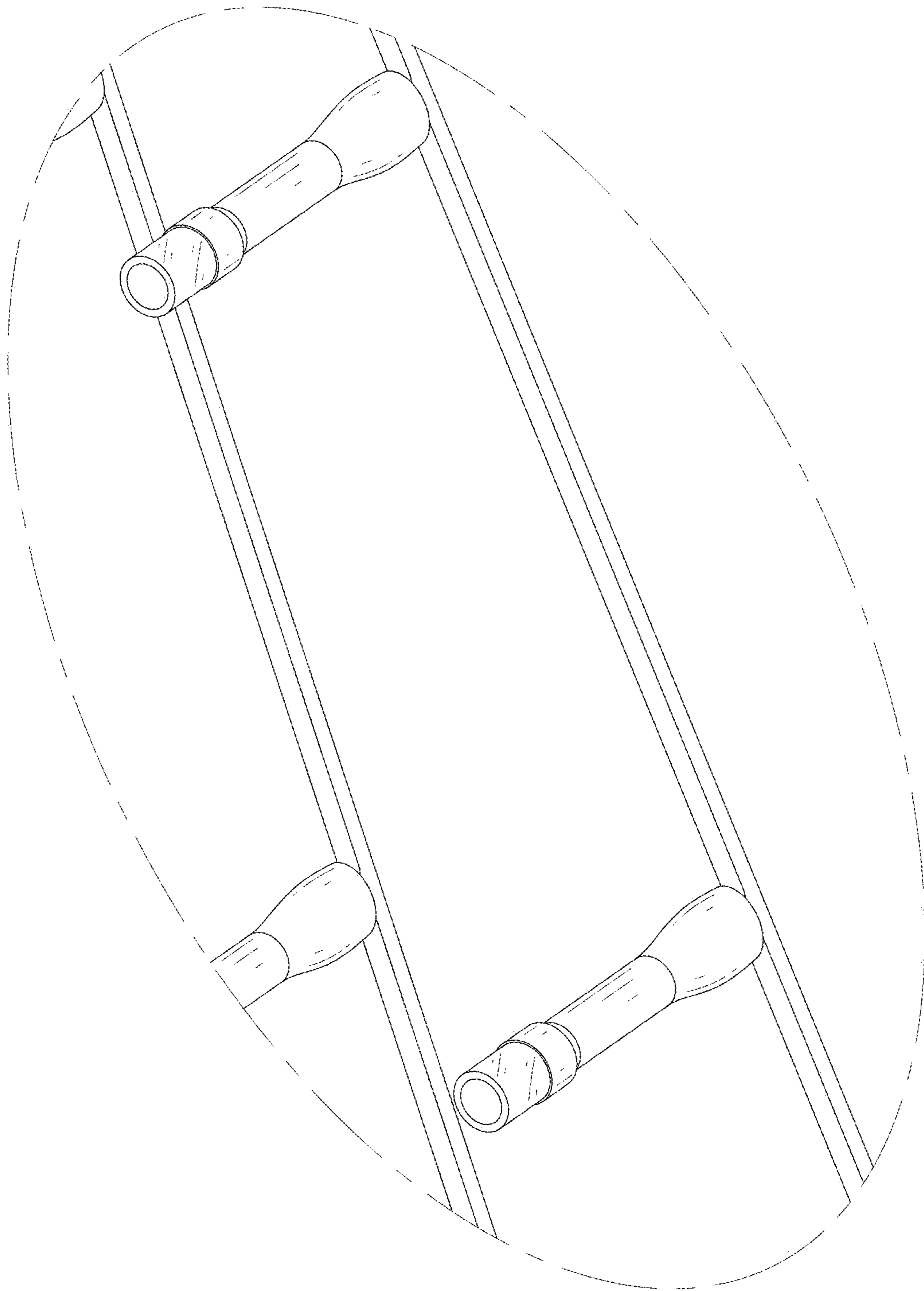


FIG. 10