



US00D980461S

(12) **United States Design Patent**  
**Song**

(10) **Patent No.:** **US D980,461 S**

(45) **Date of Patent:** **\*\* Mar. 7, 2023**

(54) **LIGHT SOURCE**

(71) Applicant: **Shenzhen Zhenming Photoelectric Co., LTD.**, Shenzhen (CN)

(72) Inventor: **Yiwen Song**, Zibo (CN)

(\*\*) Term: **15 Years**

(21) Appl. No.: **29/808,812**

(22) Filed: **Sep. 23, 2021**

(51) **LOC (14) Cl.** ..... **26-04**

(52) **U.S. Cl.**

USPC ..... **D26/2**

(58) **Field of Classification Search**

USPC ..... D26/1-5, 24-26

CPC ..... F21V 5/00; F21V 6/00; F21V 7/05; F21V

7/06; F21V 9/00; F21V 21/044; F21V

21/047; F21V 21/049; F21Y 2115/10;

F21S 8/02; F21S 8/026

See application file for complete search history.

(56) **References Cited**

**U.S. PATENT DOCUMENTS**

D271,906 S	*	12/1983	Zabransky	.....	D26/2
D475,801 S		6/2003	Stewart		
D509,016 S		8/2005	Benghozi		
D509,617 S		9/2005	Benghozi		
D561,925 S		2/2008	Levine		
D564,687 S		3/2008	Bucher		
D580,575 S		11/2008	Shiu		
D595,884 S		7/2009	Liao		
D603,997 S		11/2009	Shiu		
D671,234 S	*	11/2012	Yamamoto	.....	D26/2

D684,288 S		6/2013	Gielen		
D700,387 S		2/2014	Snell		
D804,064 S	*	11/2017	Taylor	.....	D26/2
D827,878 S	*	9/2018	Lan	.....	D26/2
D850,663 S	*	6/2019	Garber	.....	D26/2
D850,667 S	*	6/2019	Pan	.....	D26/2
D851,292 S	*	6/2019	Pan	.....	D26/2
D858,807 S	*	9/2019	Hollinger	.....	D26/2

**FOREIGN PATENT DOCUMENTS**

EM 008944318-0003 \* 4/2022

\* cited by examiner

*Primary Examiner* — Keli L Hill

(74) *Attorney, Agent, or Firm* — Rumit Ranjit Kanakia

(57) **CLAIM**

The ornamental design for a light source, as shown and described.

**DESCRIPTION**

FIG. 1 is a front elevational view of a light source showing my new design;

FIG. 2 is a rear elevational view thereof; and

FIG. 3 is a left side view thereof;

FIG. 4 is a right side view thereof;

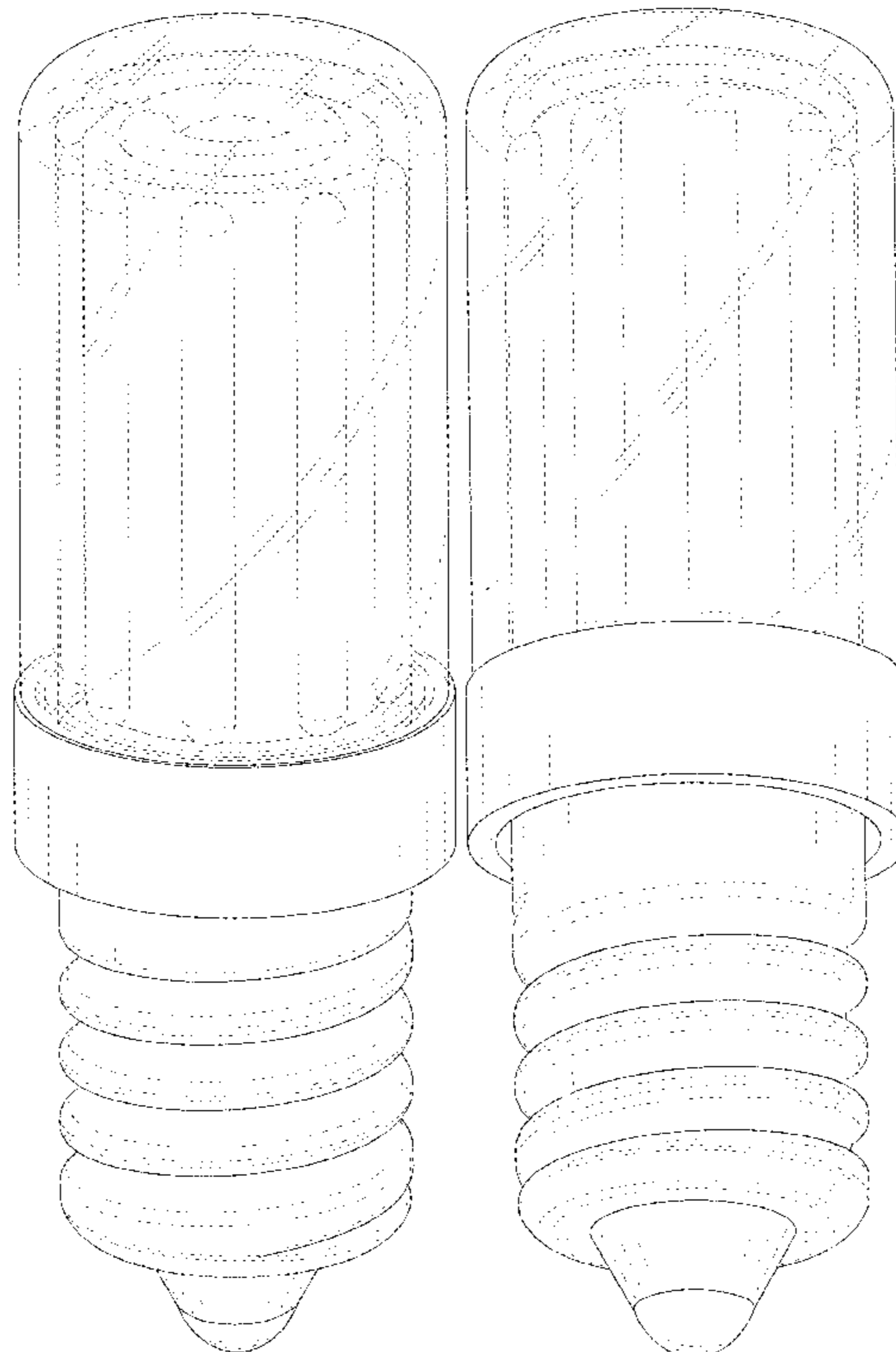
FIG. 5 is a top plan view thereof;

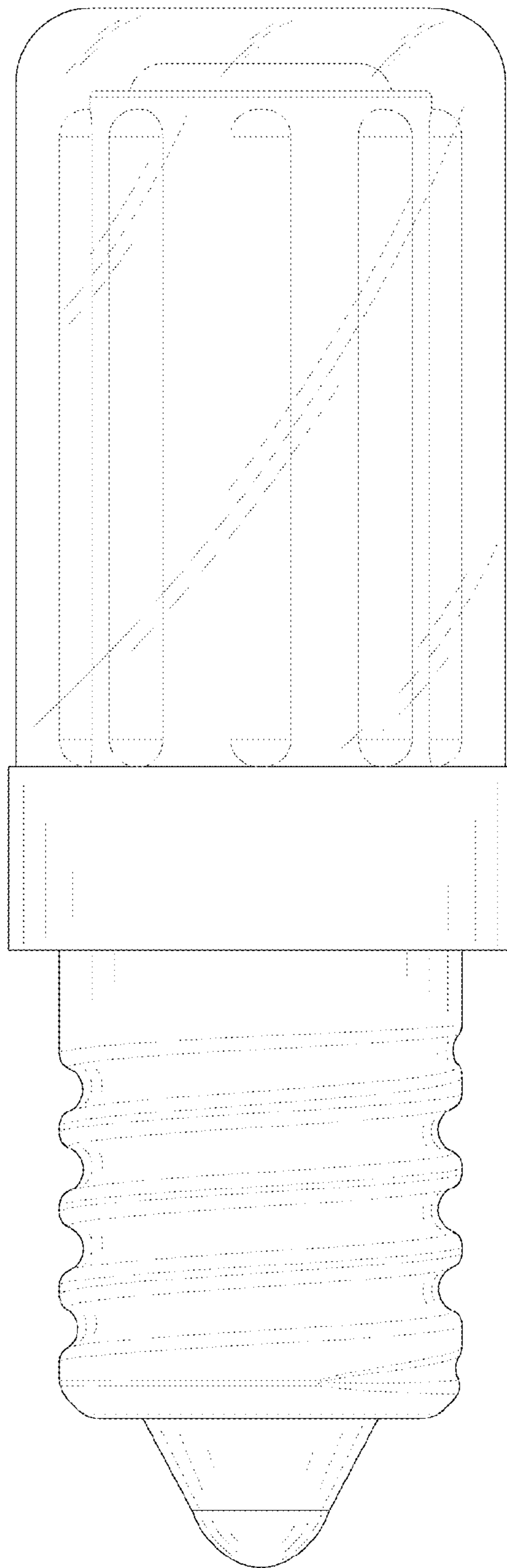
FIG. 6 is a bottom plan view thereof;

FIG. 7 is a perspective view of a light source showing my new design; and,

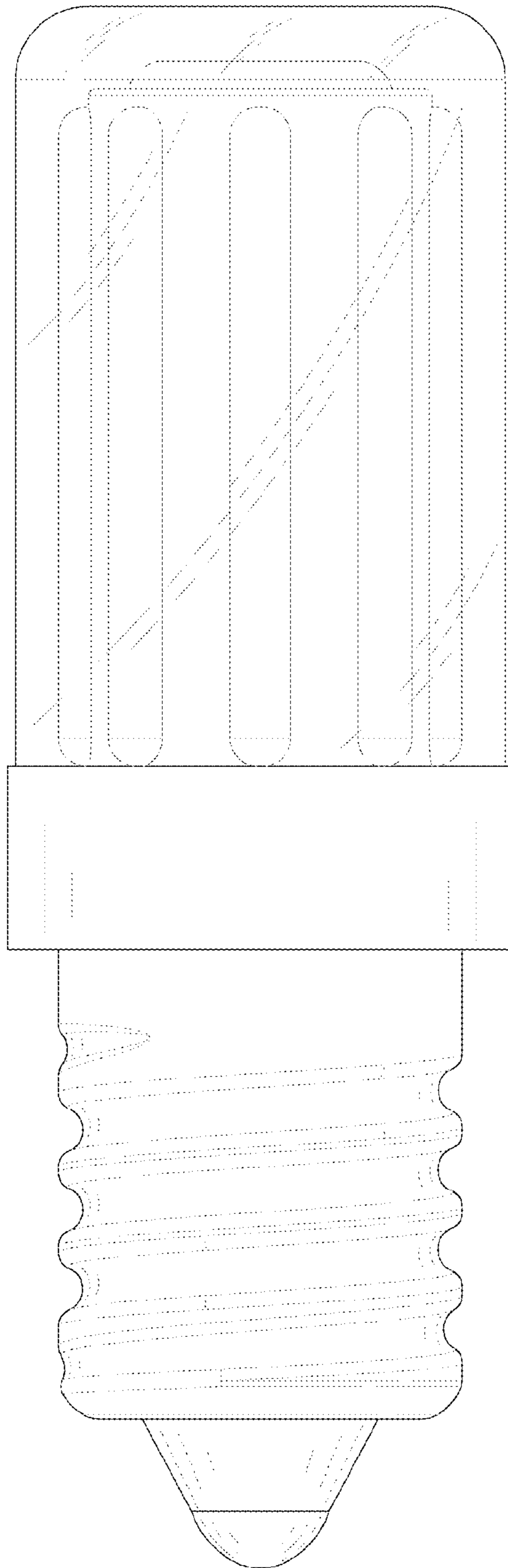
FIG. 8 is another perspective view thereof.

**1 Claim, 8 Drawing Sheets**

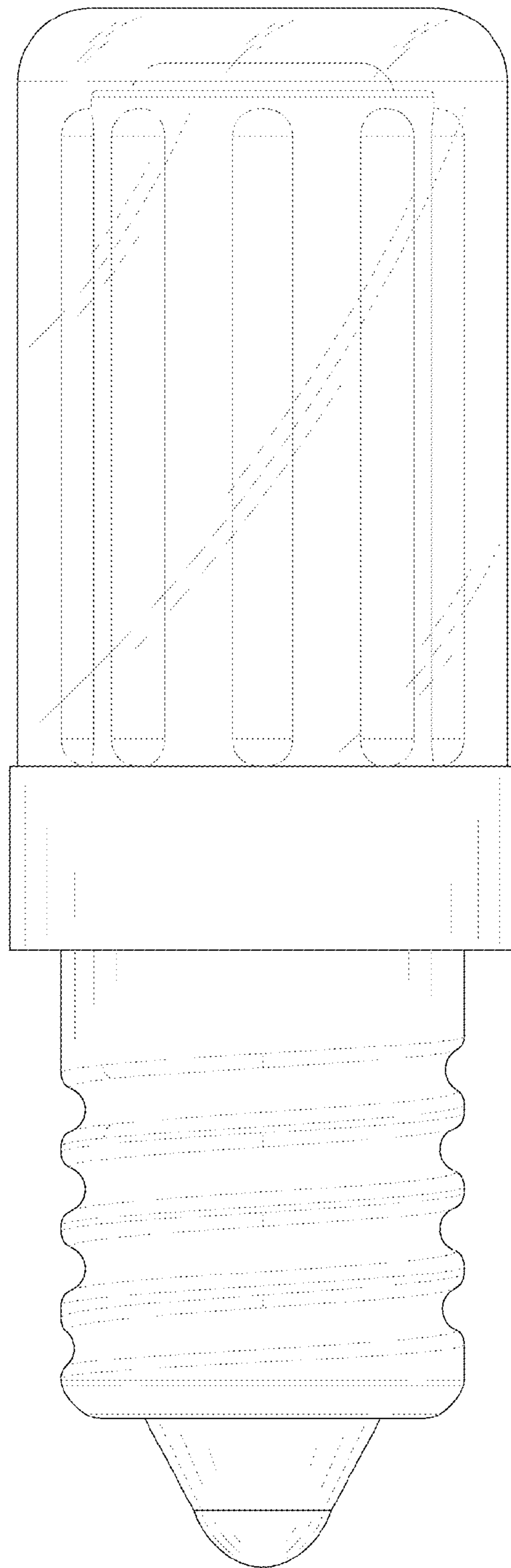




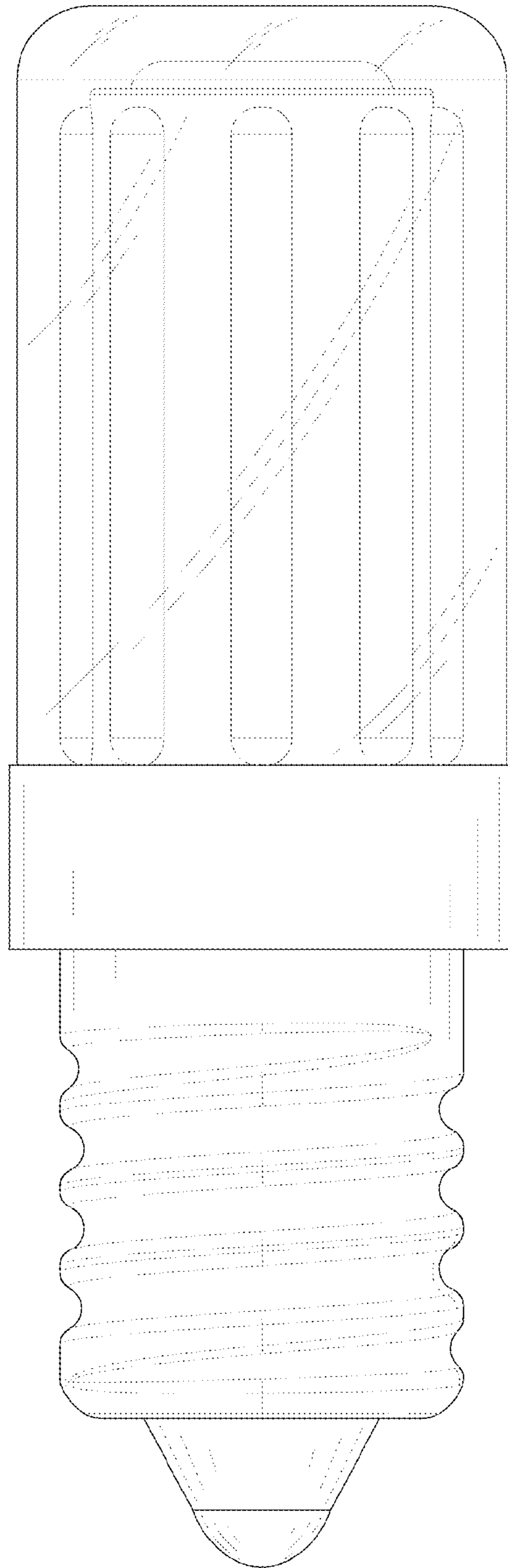
**FIG. 1**



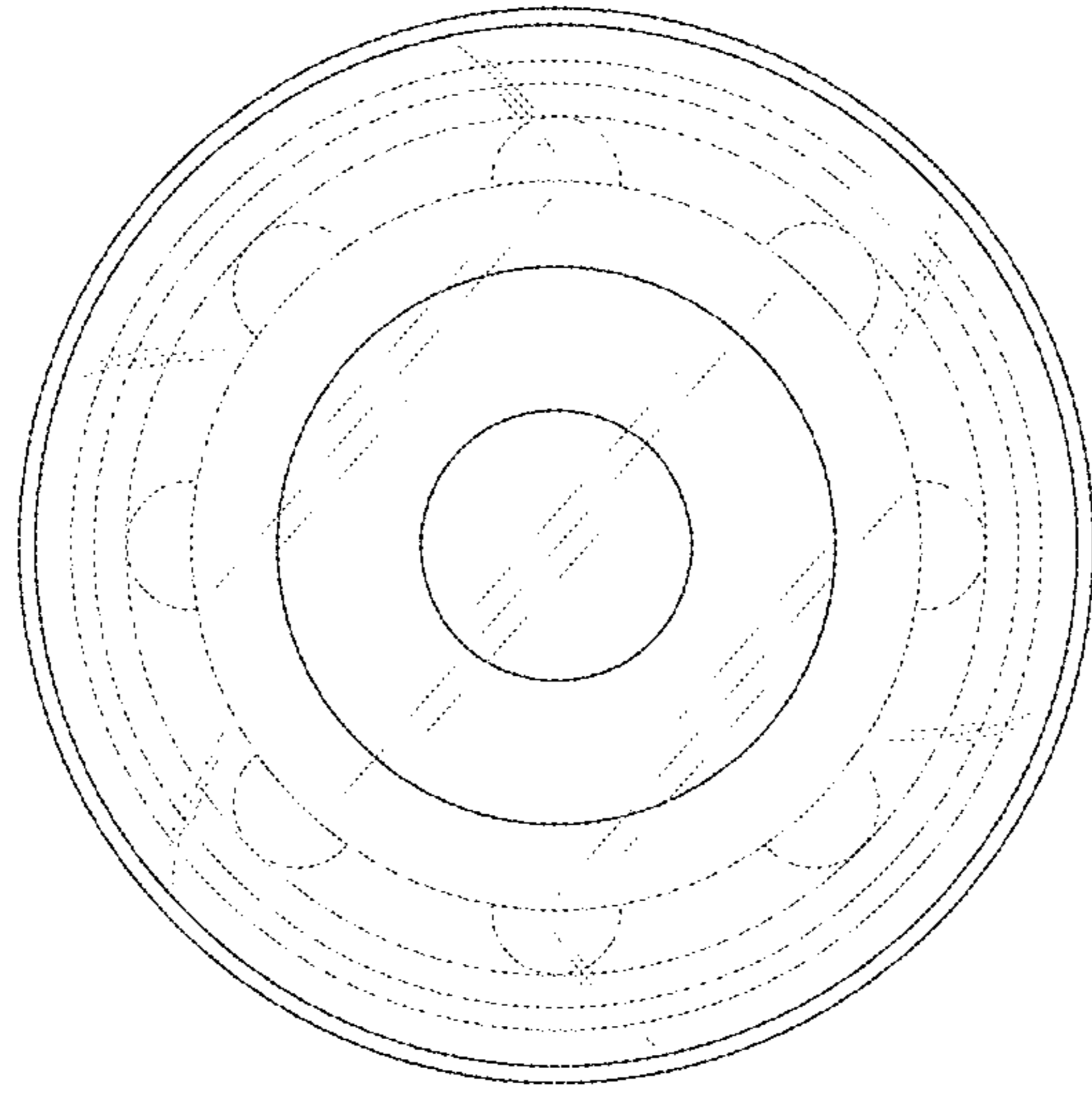
**FIG. 2**



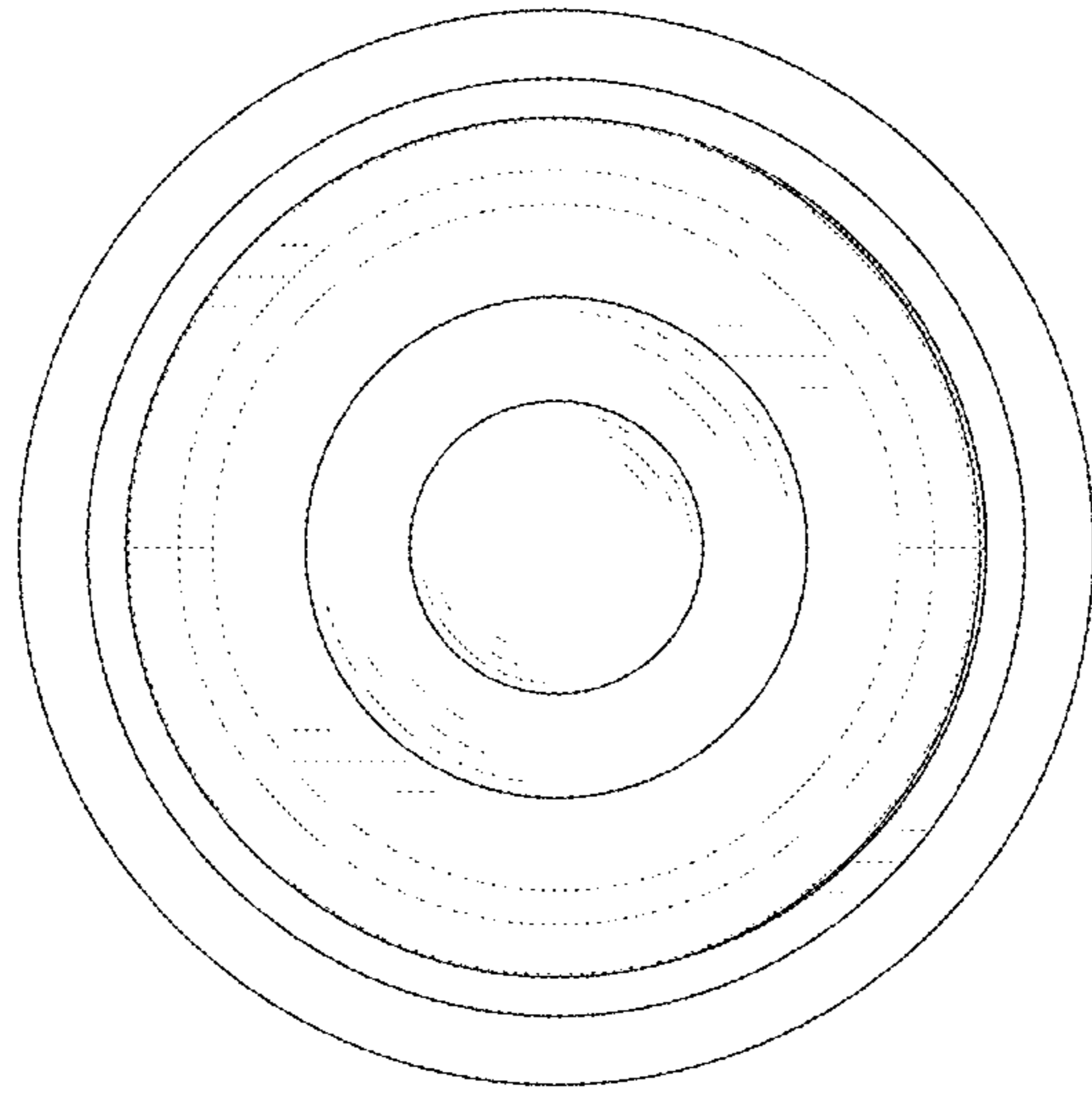
**FIG. 3**



**FIG. 4**

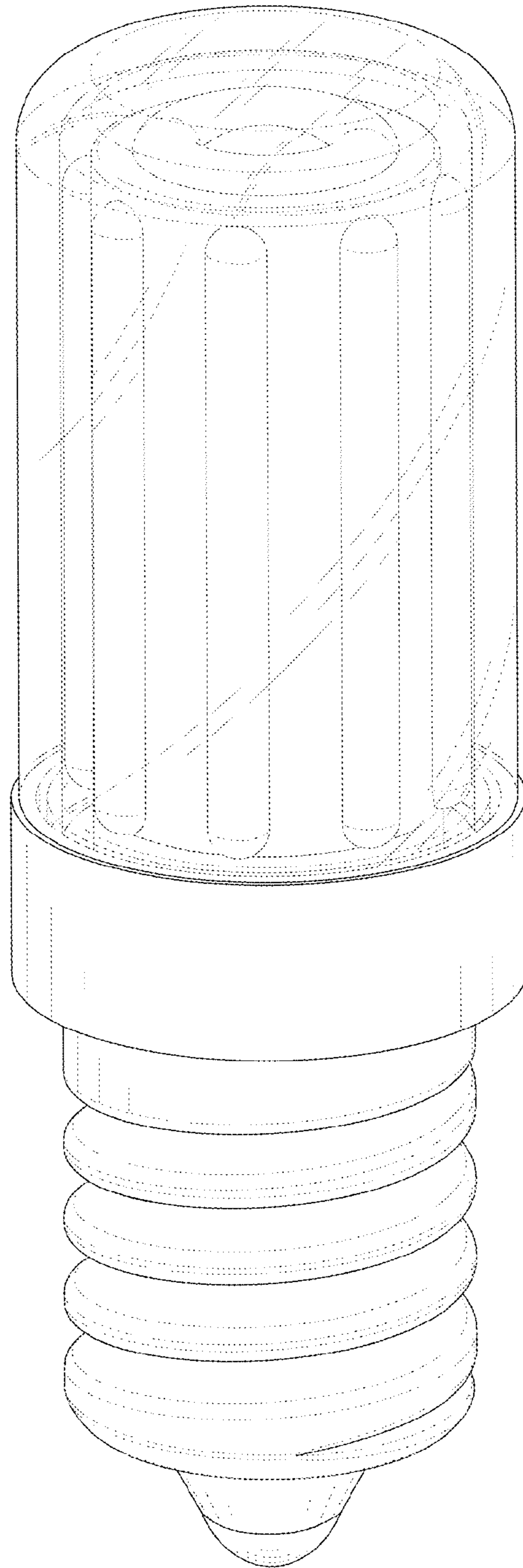


**FIG. 5**



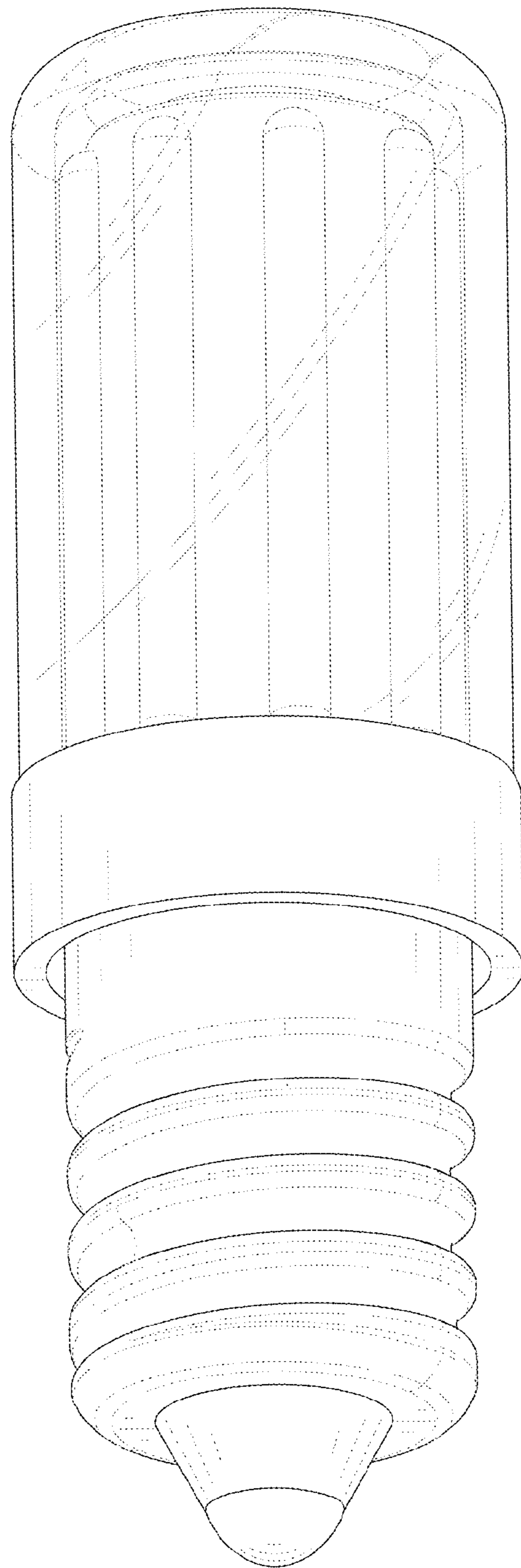
***FIG. 6***





**FIG. 7**





**FIG. 8**