



US00D980460S

(12) **United States Design Patent**  
**Loughren**

(10) **Patent No.:** **US D980,460 S**

(45) **Date of Patent:** **\*\* Mar. 7, 2023**

- (54) **EXTRUDED MEMBER**
- (71) Applicant: **ULTIMATE VIEW EXTRUSIONS LLC**, Tampa, FL (US)
- (72) Inventor: **Dennis Loughren**, Thonotosassa, FL (US)
- (\*\*) Term: **15 Years**
- (21) Appl. No.: **29/868,425**
- (22) Filed: **Dec. 2, 2022**
- (51) **LOC (14) Cl.** ..... **25-01**
- (52) **U.S. Cl.**  
USPC ..... **D25/122**; D25/119; D25/124
- (58) **Field of Classification Search**  
USPC ..... D25/119, 120, 121, 122, 123, 124, 125  
CPC ..... B21C 23/00; E04C 2003/0417; E04C 2003/0439; E04C 2003/0452; E04C 2003/0465; E04C 2003/0473; E04C 3/00; E04C 3/04; E04C 3/28  
See application file for complete search history.

D541,953 S *	5/2007	Deleu .....	D25/122
D574,970 S *	8/2008	Taylor .....	D25/121
D616,035 S *	5/2010	Kosir .....	D20/44
D620,618 S *	7/2010	Teffenhart, Jr. ....	D25/123
D620,619 S *	7/2010	Teffenhart .....	D25/123
D652,986 S *	1/2012	Trzesniowski .....	D26/138
D666,743 S	9/2012	Teffenhart	
D709,629 S *	7/2014	Rice .....	D25/125
D713,054 S *	9/2014	Teffenhart, Jr. ....	D25/61
D731,704 S *	6/2015	Klus .....	D26/138
D733,329 S *	6/2015	Griffiths .....	D25/119
D739,562 S	9/2015	Campbell	
D742,546 S *	11/2015	Singh .....	D25/119
D750,806 S *	3/2016	Singh .....	D25/119
D762,462 S *	8/2016	Anderson .....	D25/55
D771,477 S *	11/2016	Anderson .....	D25/55

(Continued)

*Primary Examiner* — T Chase Nelson  
*Assistant Examiner* — Sydney Margaret Parsley  
 (74) *Attorney, Agent, or Firm* — Larson & Larson; Justin P. Miller; Frank Liebenow

(57) **CLAIM**

The ornamental design for an extruded member, as shown and described.

**DESCRIPTION**

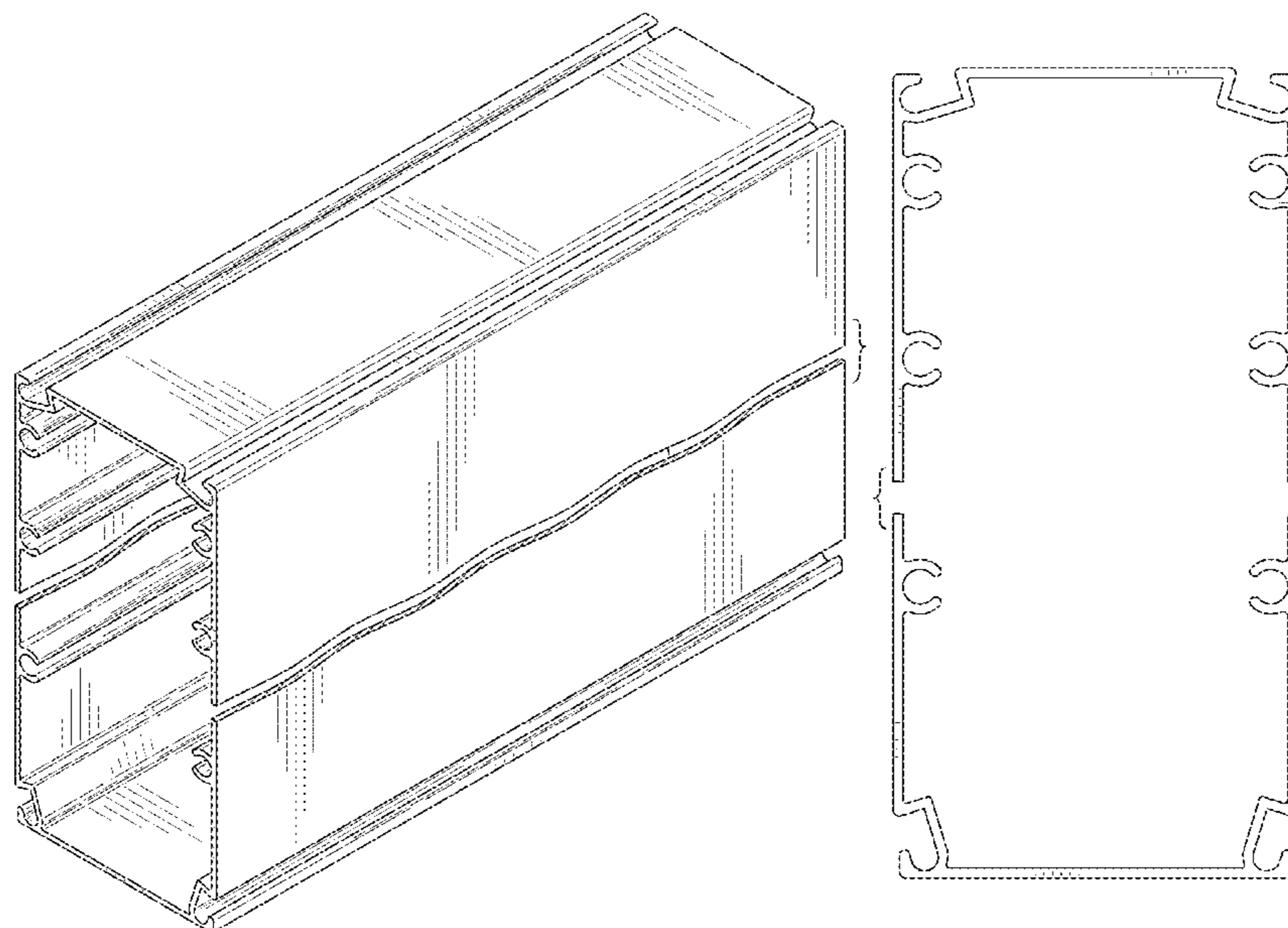
FIG. 1 is a perspective view of an extruded member showing my new design;  
 FIG. 2 is a top plan view thereof;  
 FIG. 3 is a bottom plan view thereof;  
 FIG. 4 is a front elevation view thereof;  
 FIG. 5 is a back elevation thereof;  
 FIG. 6 is a right-side elevation view thereof; and,  
 FIG. 7 is a left-side elevation view thereof; showing the extrusion member.  
 The break lines shown in FIGS. 1-5 indicate a symbolic break in length. The appearance of any portion of the article between the break lines forms no part of the claimed design.

**1 Claim, 7 Drawing Sheets**

(56) **References Cited**

U.S. PATENT DOCUMENTS

2,975,874 A *	3/1961	Pagan .....	E04C 3/07
			52/844
D245,709 S *	9/1977	Dallaire .....	D25/119
D258,912 S *	4/1981	Dallaire .....	D25/123
4,987,717 A *	1/1991	Dameron .....	E04C 3/30
D364,104 S *	11/1995	Johnson .....	D10/74
D374,650 S *	10/1996	Shermeto .....	D8/349
D420,149 S *	2/2000	Hersh .....	D25/119
D448,862 S *	10/2001	Kieffer .....	D25/121
D452,915 S *	1/2002	Kieffer .....	D25/122
D462,787 S *	9/2002	Scalzott .....	D25/119
D473,324 S *	4/2003	Jordal .....	D25/124
6,601,362 B1 *	8/2003	Prince .....	E04C 3/30
D489,209 S *	5/2004	Goldberg .....	D25/119
D529,630 S *	10/2006	Zarb .....	D25/119



(56)

References Cited

U.S. PATENT DOCUMENTS

D787,093 S \* 5/2017 Singh ..... D25/121  
 D791,342 S \* 7/2017 Teffenhart, Jr. .... D25/61  
 D800,347 S \* 10/2017 Blick ..... D25/119  
 D806,439 S \* 1/2018 Buccola, Jr ..... D6/580  
 D808,682 S \* 1/2018 Anderson ..... D6/580  
 D808,683 S \* 1/2018 Anderson ..... D6/580  
 D809,704 S \* 2/2018 Klus ..... D26/142  
 D812,782 S \* 3/2018 Dorman ..... D25/119  
 D830,545 S 10/2018 Loughren  
 D836,216 S \* 12/2018 Roberts ..... D25/124  
 10,287,774 B2 \* 5/2019 Dietzen ..... E04C 3/08  
 D855,833 S \* 8/2019 Foley ..... D25/68  
 D855,836 S \* 8/2019 Marshall ..... D25/119  
 D872,931 S \* 1/2020 Tremaine ..... E04C 3/40  
 D25/119  
 D879,326 S \* 3/2020 Hendry ..... D25/61  
 10,640,968 B2 5/2020 Teffenhart  
 D891,688 S \* 7/2020 Tremaine ..... D26/138  
 D905,290 S 12/2020 Jo  
 D931,499 S 9/2021 Wagner  
 D931,521 S \* 9/2021 Trzesniowski ..... D26/141  
 D954,301 S \* 6/2022 Hendry ..... D25/131  
 D955,001 S \* 6/2022 Reid ..... D25/121

D956,524 S \* 7/2022 Templeman ..... E04C 3/07  
 D8/354  
 D958,414 S \* 7/2022 Reid ..... D25/119  
 2003/0145555 A1 \* 8/2003 Raskin ..... E04C 3/40  
 52/844  
 2007/0074480 A1 \* 4/2007 Kleila ..... E04C 3/30  
 2007/0266671 A1 \* 11/2007 Chromy ..... E04C 3/30  
 2008/0016816 A1 \* 1/2008 Kim ..... E04C 3/06  
 52/745.18  
 2008/0168738 A1 \* 7/2008 Shelton ..... E04C 3/02  
 2008/0250737 A1 \* 10/2008 Hall ..... E04C 3/10  
 2009/0178360 A1 \* 7/2009 Teffenhart, Jr. .... E04C 3/06  
 52/745.19  
 2010/0281821 A1 \* 11/2010 Frobosilo ..... E04C 3/09  
 52/846  
 2011/0036050 A1 \* 2/2011 Callahan ..... E04C 3/07  
 52/843  
 2011/0036051 A1 \* 2/2011 Callahan ..... E04C 5/065  
 52/843  
 2011/0036052 A1 \* 2/2011 Callahan ..... E04C 3/07  
 52/843  
 2014/0000184 A1 \* 1/2014 Armstrong ..... E04C 3/02  
 52/657  
 2020/0131790 A1 \* 4/2020 Lesage ..... E04C 3/06  
 2020/0248443 A1 \* 8/2020 Bates ..... E04C 3/07  
 2020/0347599 A1 \* 11/2020 Lukito ..... E04C 3/07

\* cited by examiner



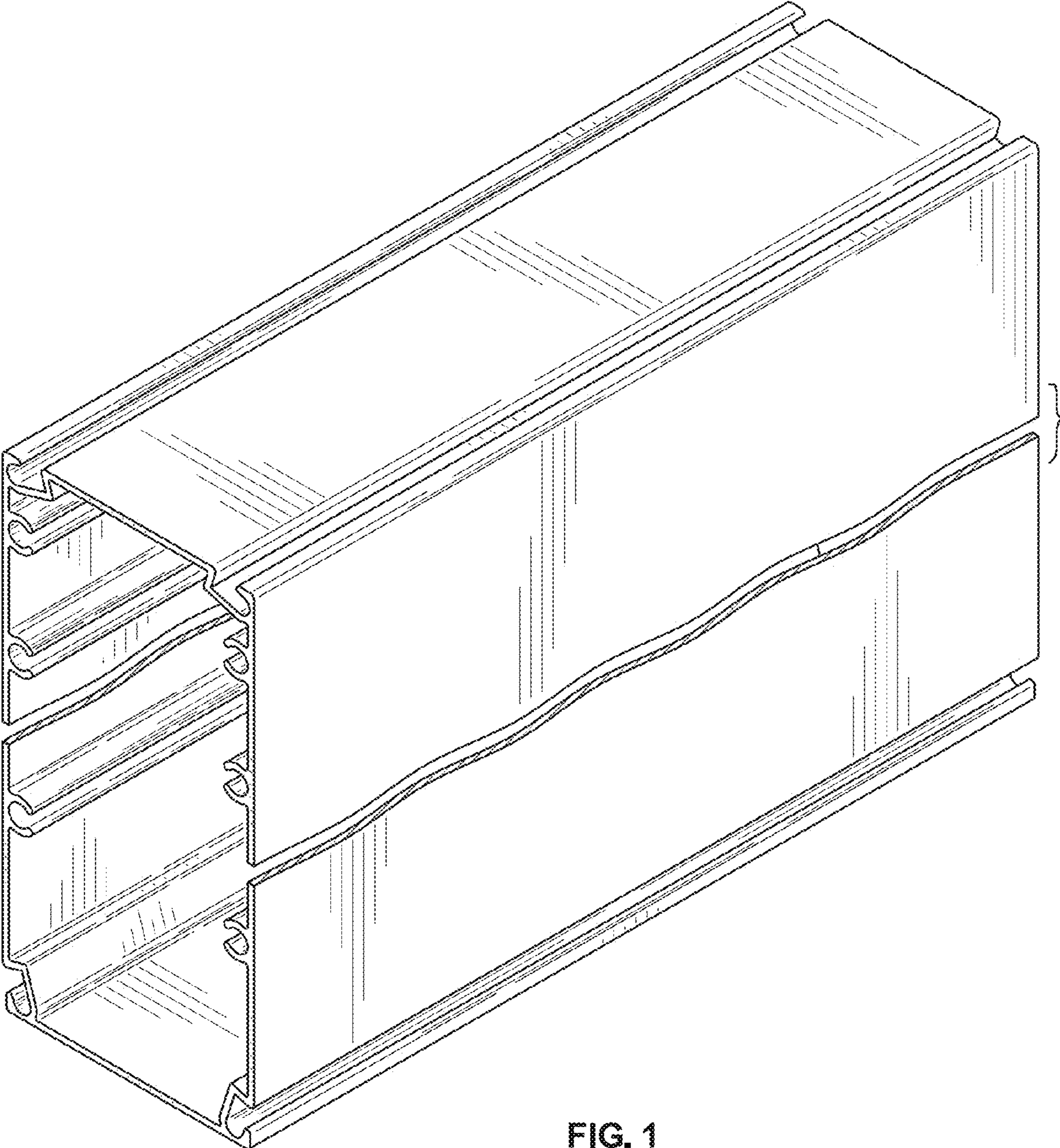


FIG. 1

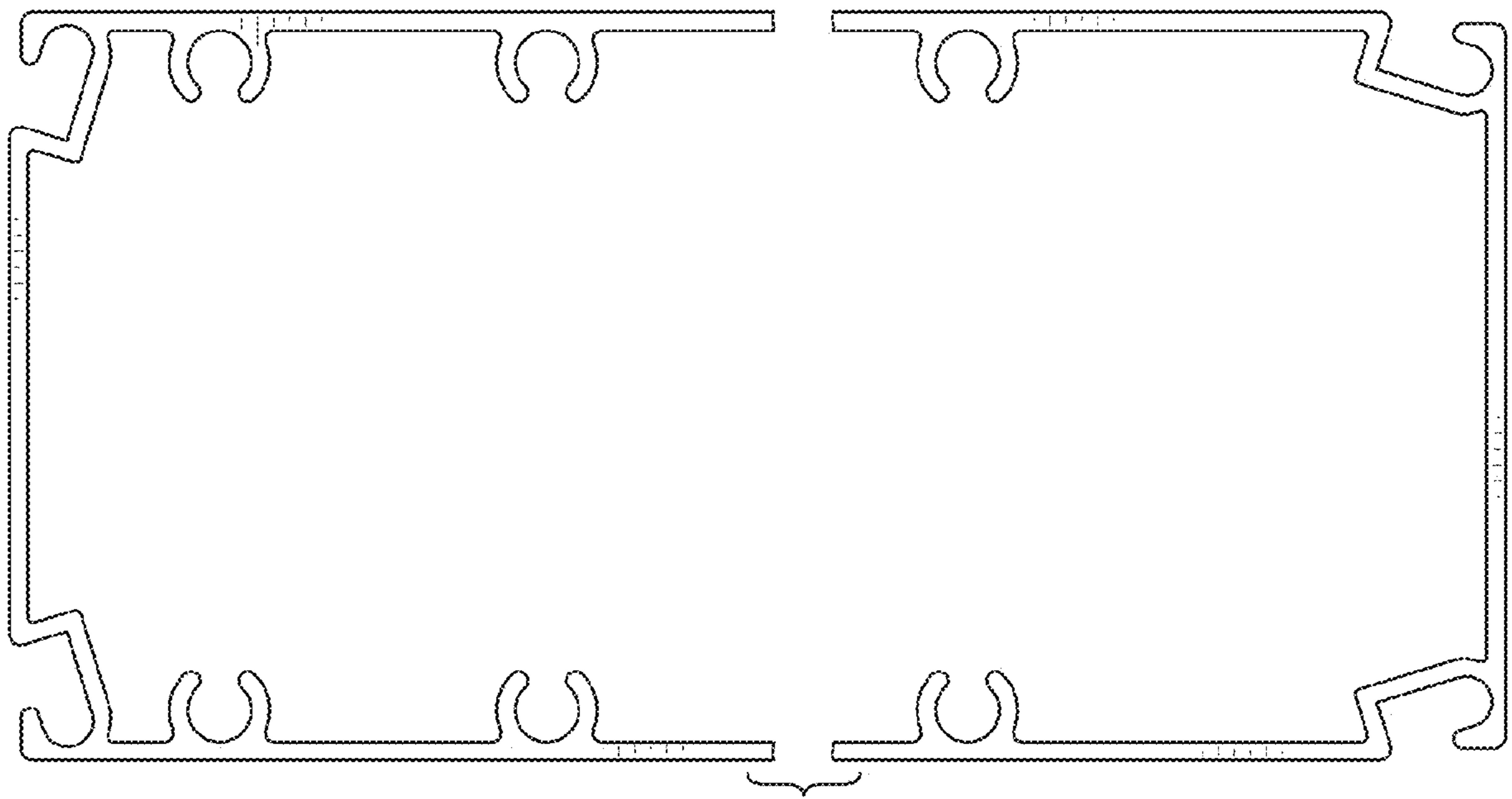


FIG. 2

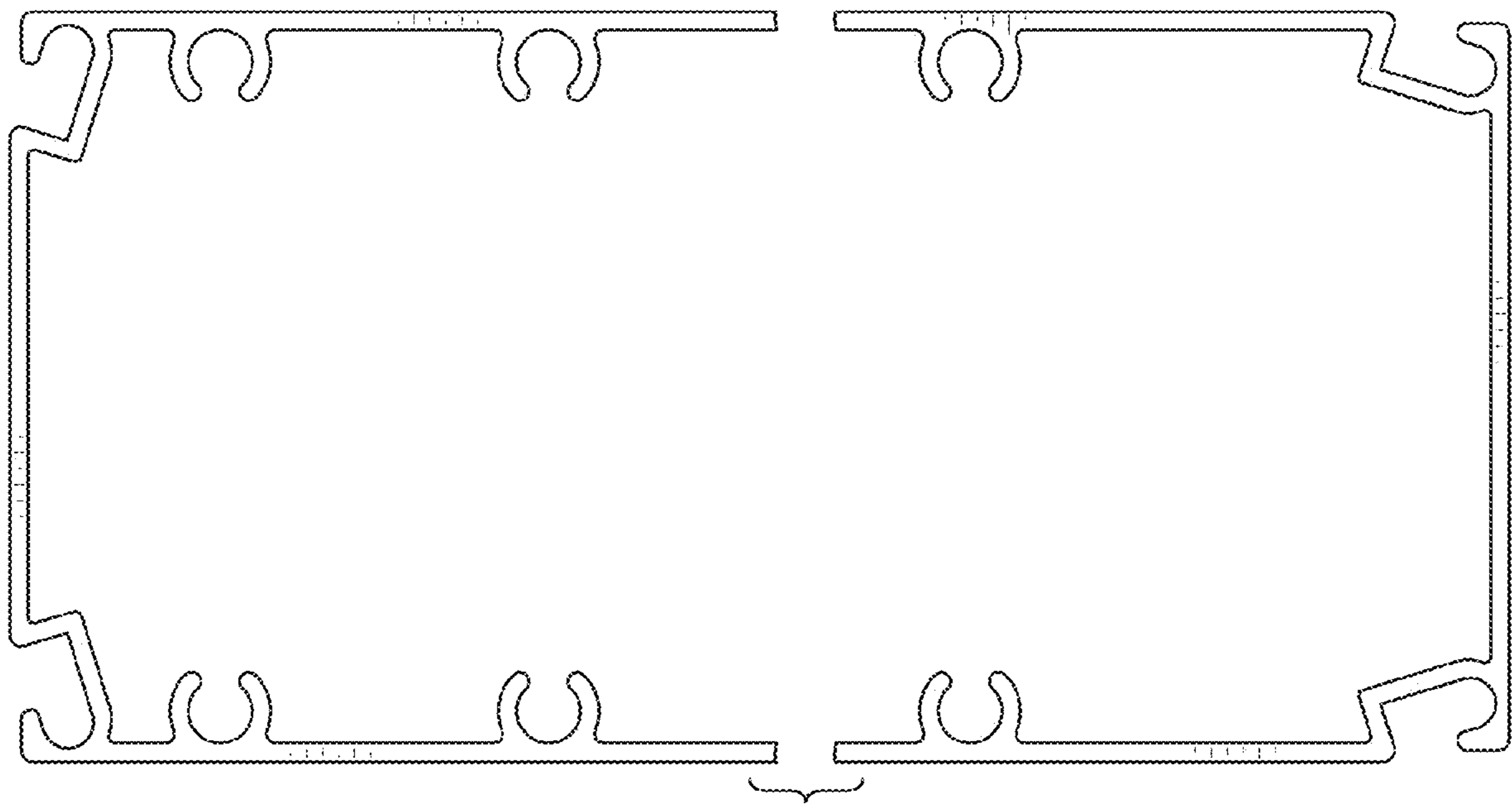


FIG. 3

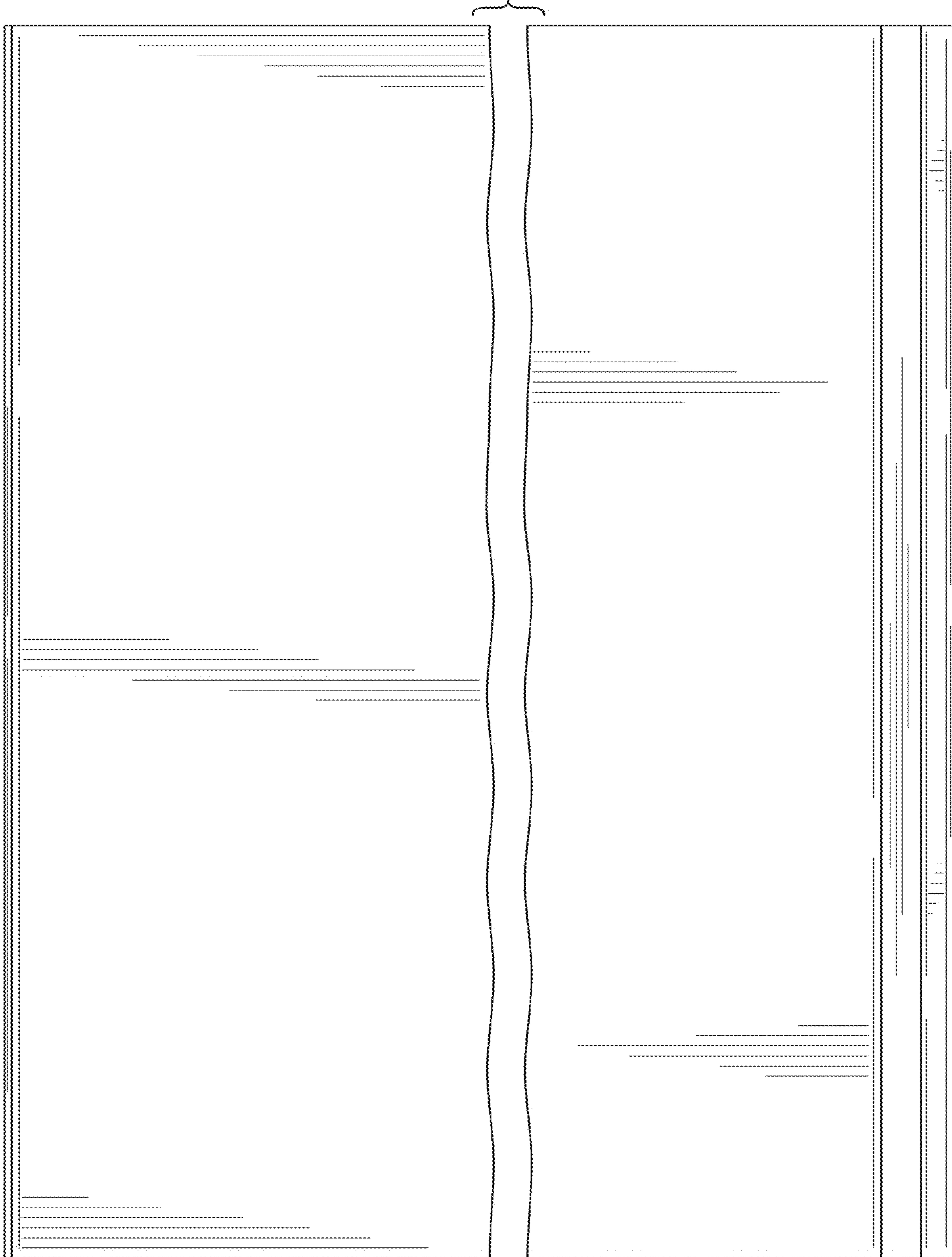


FIG. 4

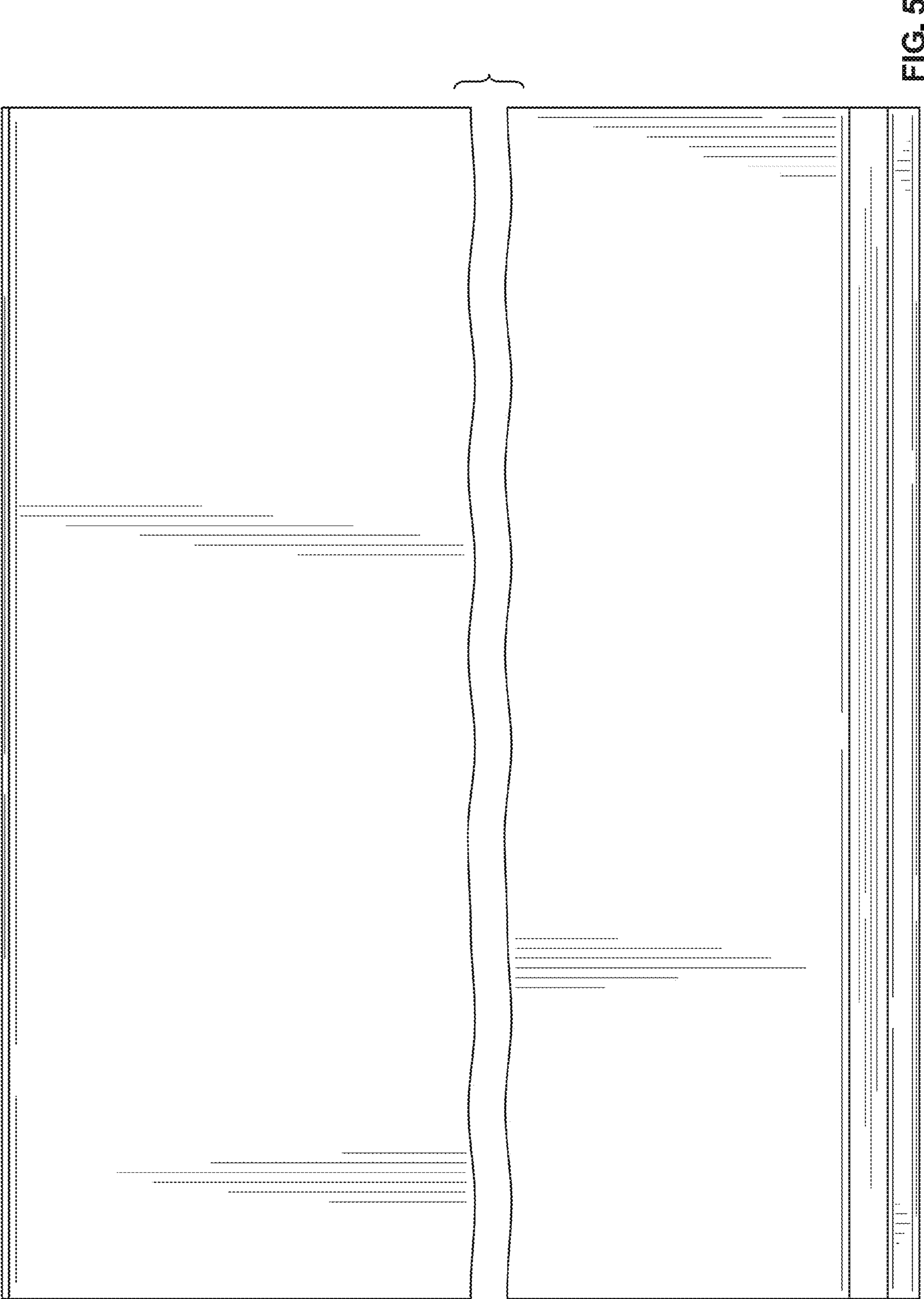


FIG. 5



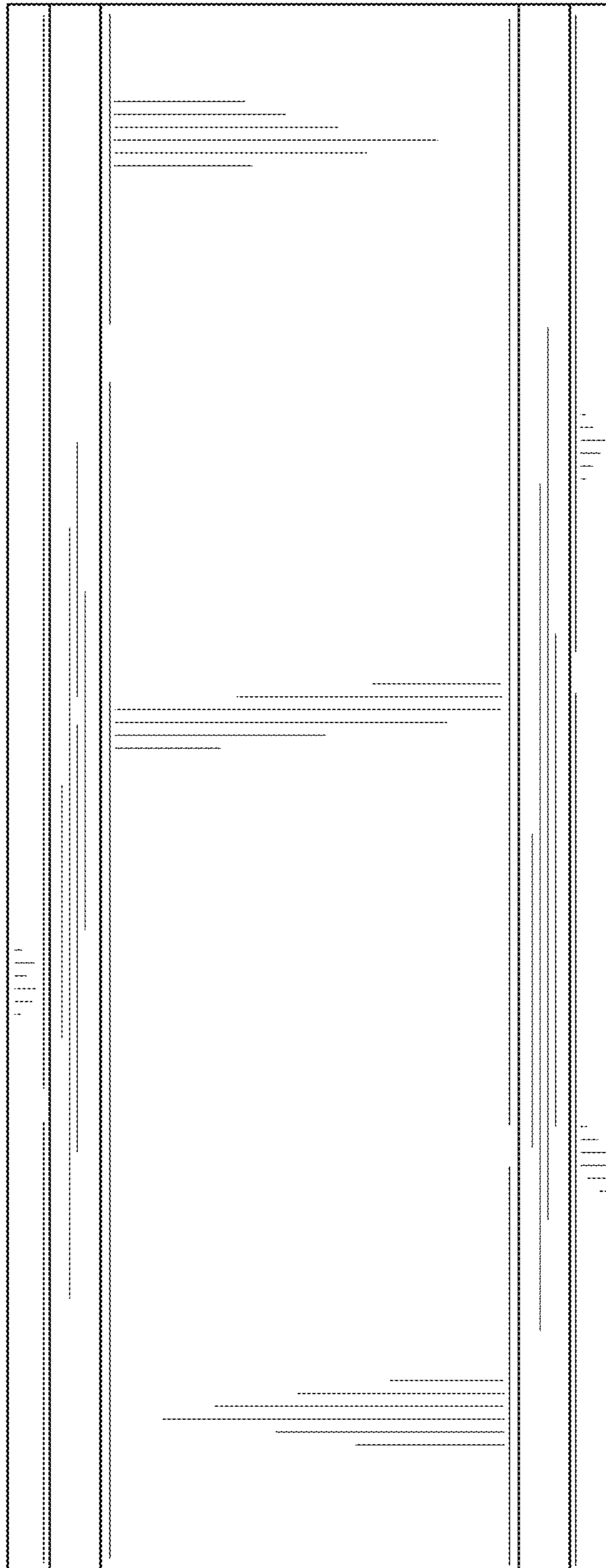


FIG. 6



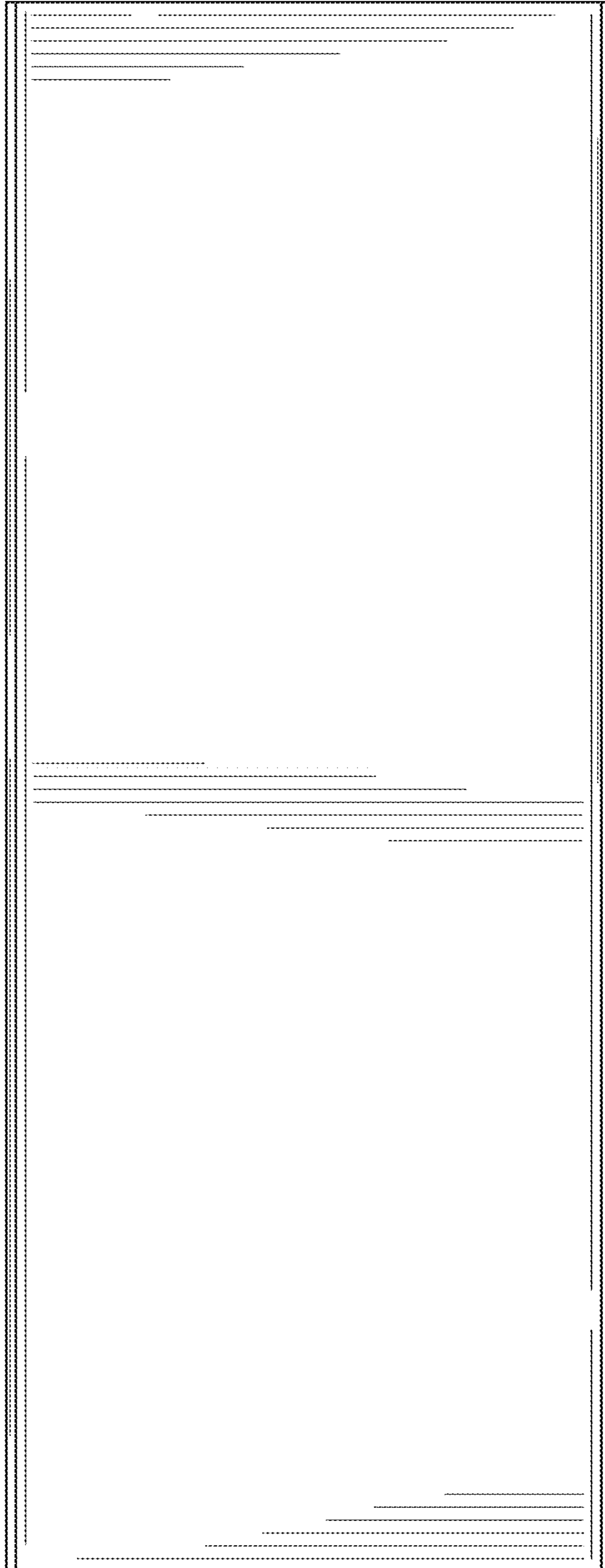


FIG. 7