



US00D980457S

(12) **United States Design Patent** (10) **Patent No.:** **US D980,457 S**  
**Yu** (45) **Date of Patent:** **\*\* Mar. 7, 2023**

(54) **PAINT SPRAY BOOTH**

(71) Applicant: **Dingjia Yu**, Guangzhou (CN)

(72) Inventor: **Dingjia Yu**, Guangzhou (CN)

(\*\*) Term: **15 Years**

(21) Appl. No.: **29/818,912**

(22) Filed: **Dec. 10, 2021**

(51) **LOC (14) Cl.** ..... **25-03**

(52) **U.S. Cl.**

USPC ..... **D25/18**; D21/835

(58) **Field of Classification Search**

USPC ..... D25/1, 16, 18, 19, 31, 33; D21/834-838

CPC .. E04H 15/20; E04H 2015/201; E04H 4/0025

See application file for complete search history.

(56) **References Cited**

**U.S. PATENT DOCUMENTS**

D439,946 S *	4/2001	Gourchounian	.....	D21/835
D703,829 S *	4/2014	Page	.....	D25/33
D795,319 S	8/2017	Bedeschi et al.		
D824,537 S	7/2018	Pihlblad		
D925,771 S *	7/2021	Chao	.....	D25/18
2004/0050411 A1 *	3/2004	Lawrence	.....	E04H 15/20
				135/128
2008/0125005 A1 *	5/2008	Lu	.....	E04H 15/006
				446/222
2015/0017897 A1 *	1/2015	Williams	.....	E04H 15/20
				454/51
2021/0301549 A1 *	9/2021	Williams	.....	E04H 15/20

**FOREIGN PATENT DOCUMENTS**

CN	113309399 A *	8/2021		
DE	202016004872 U1 *	12/2016	.....	E04H 15/20
EP	0987385 A2 *	3/2000		
WO	WO-2019202232 A1 *	10/2019		

**OTHER PUBLICATIONS**

Happybuy, Inflatable Paint Booth, Dec. 15, 2018, Amazon, [https://www.amazon.com/dp/B07LDNL7GF?pd\\_rd\\_i=B07LDNL7GF](https://www.amazon.com/dp/B07LDNL7GF?pd_rd_i=B07LDNL7GF) (Year: 2018).\*

Orionet, Inflatable Paint Booth, Nov. 27, 2019, Amazon, <https://www.amazon.com/Inflatable-30x20x13FT-Portable-Professional-Painting/dp/B08VDT5WF1> (Year: 2019).\*

Happybuy, Inflatable Paint Booth, Aug. 23, 2021, Amazon, <https://www.amazon.com/Happybuy-Inflatable-19-69x13-12x8-53-Powerful-Workstation/dp/B08YNK4RY4> (Year: 2021).\*

\* cited by examiner

*Primary Examiner* — Brett Miller

(74) *Attorney, Agent, or Firm* — ScienBiziP, P.C.

(57) **CLAIM**

The ornamental design for a paint spray booth, as shown and described.

**DESCRIPTION**

FIG. 1 is a front, right and top perspective view of a paint spray booth, showing my design.

FIG. 2 is a rear, left and bottom perspective view thereof.

FIG. 3 is a front elevation view thereof.

FIG. 4 is a rear elevation view thereof.

FIG. 5 is a left side elevation view thereof.

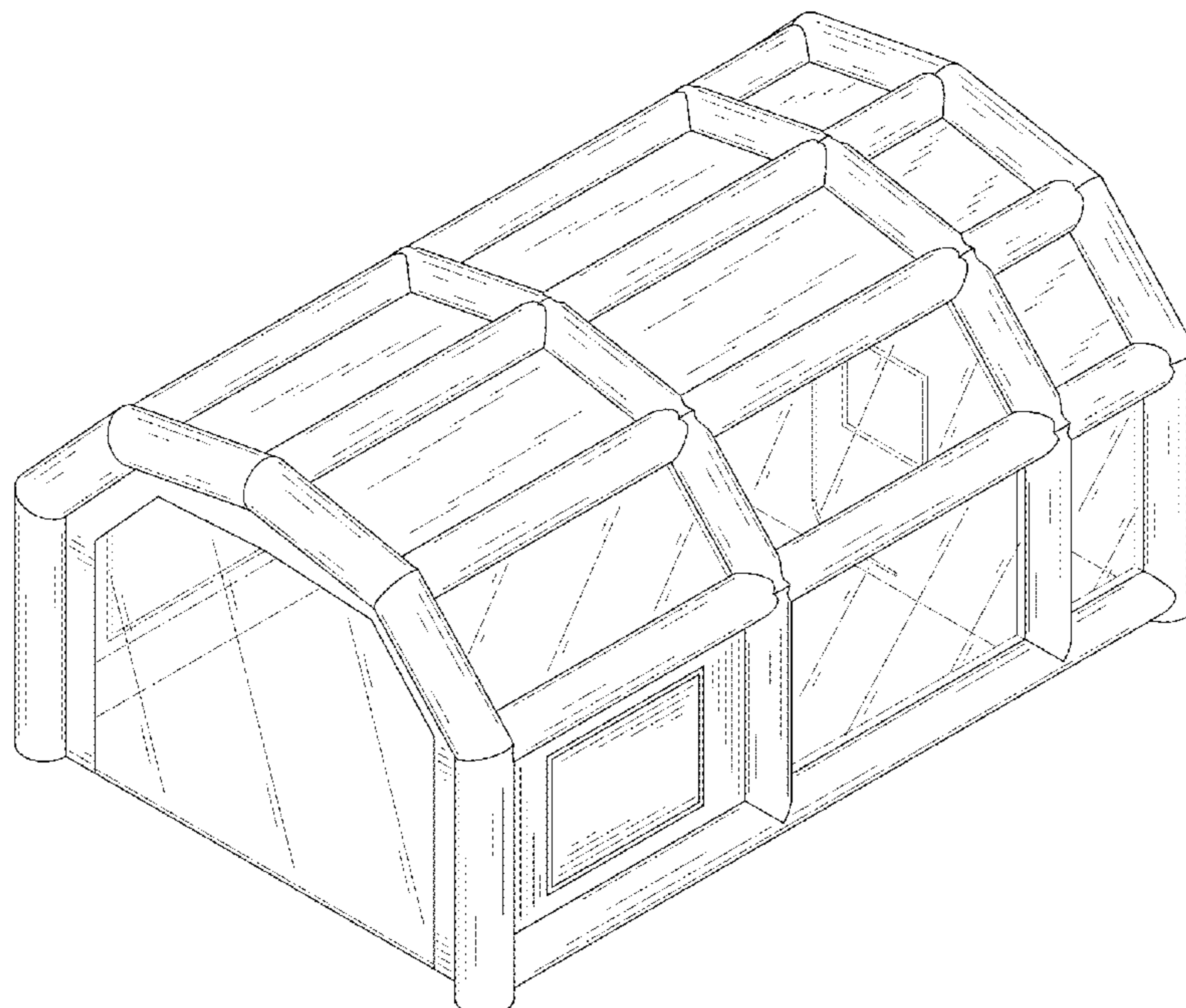
FIG. 6 is a right side elevation view thereof.

FIG. 7 is a top plan view thereof; and,

FIG. 8 is a bottom plan view thereof.

The broken lines shown in the drawings are included for the purpose of illustrating portions of the paint spray booth that form no part of the claimed design.

**1 Claim, 8 Drawing Sheets**



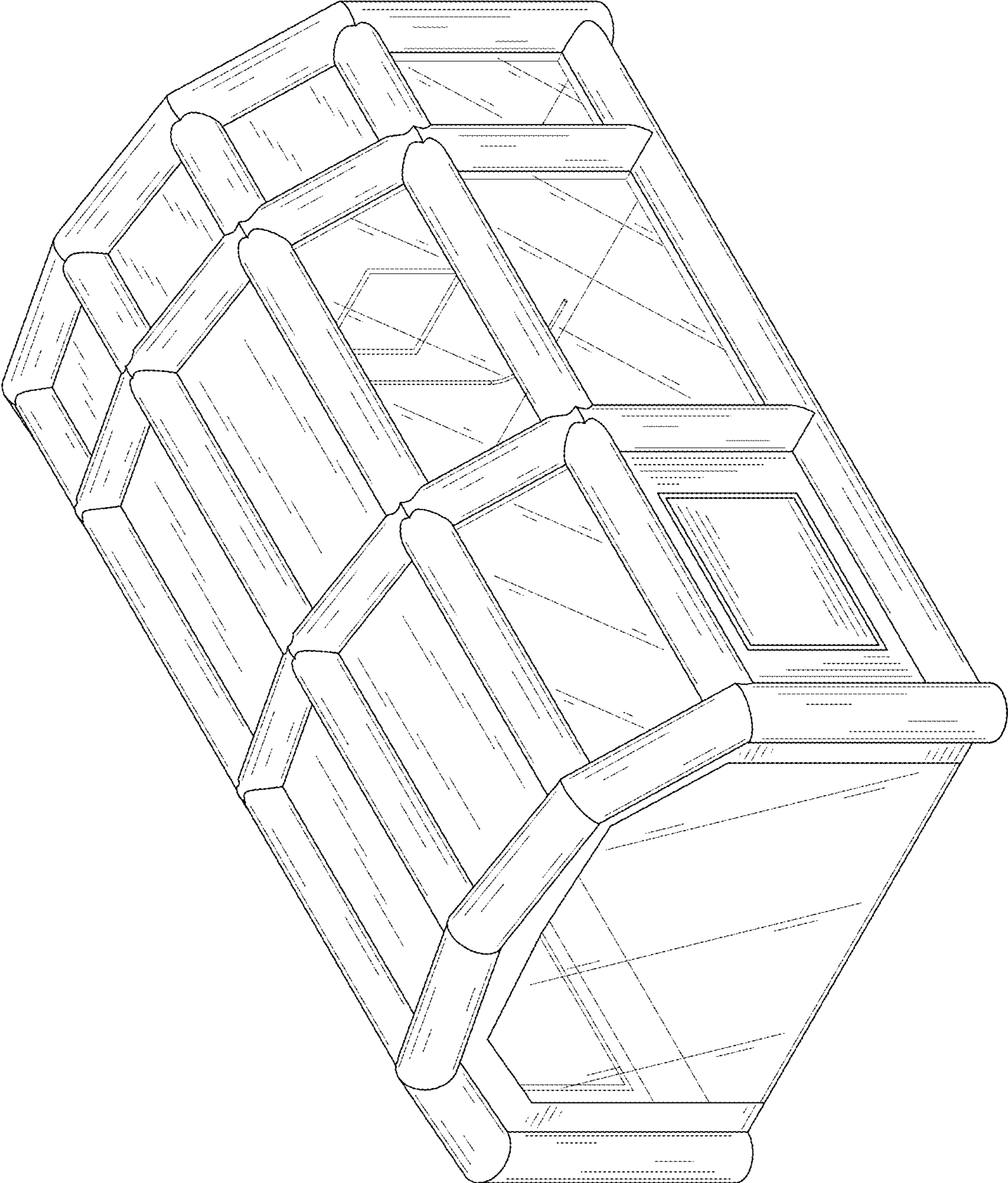


FIG. 1

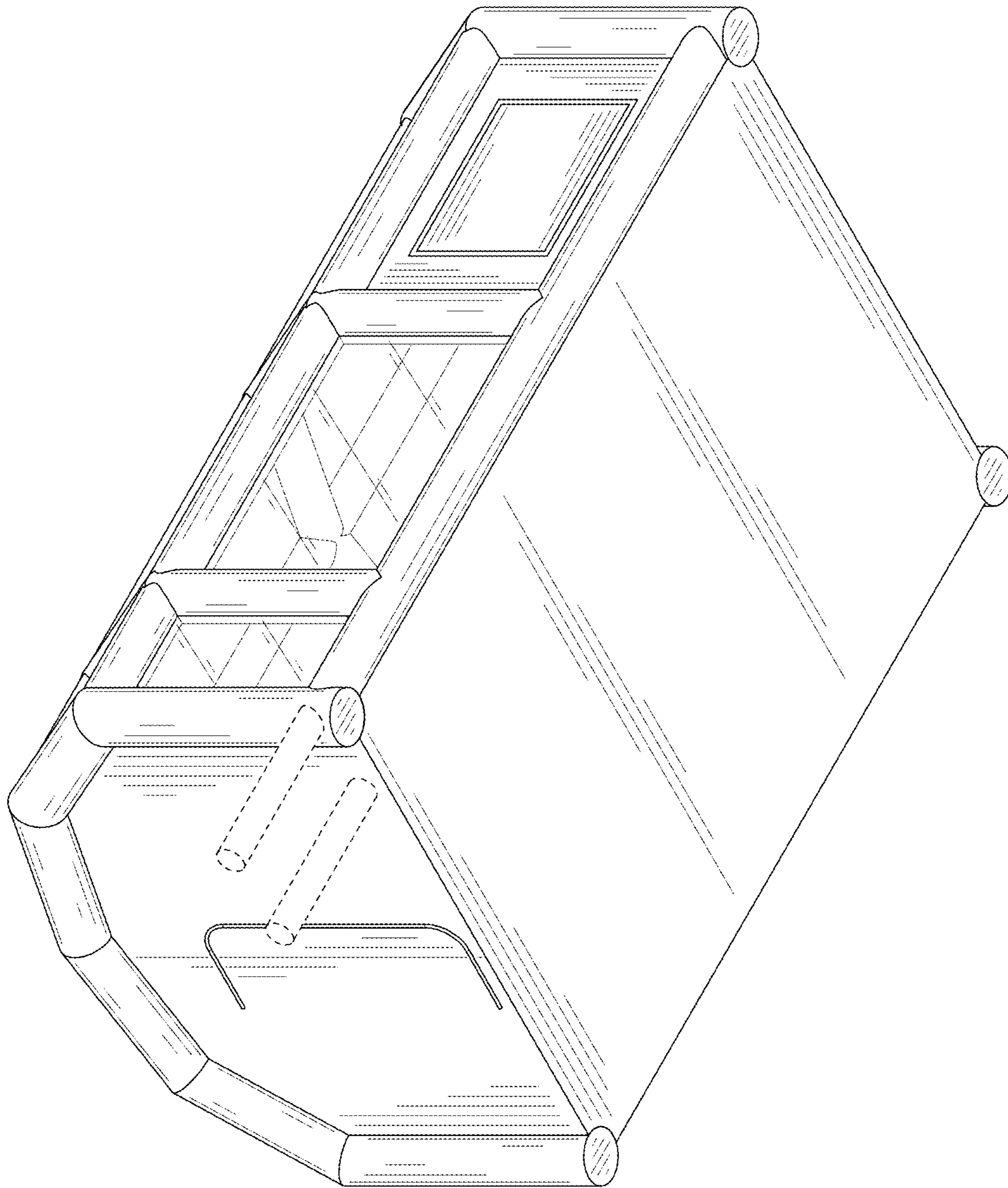


FIG. 2

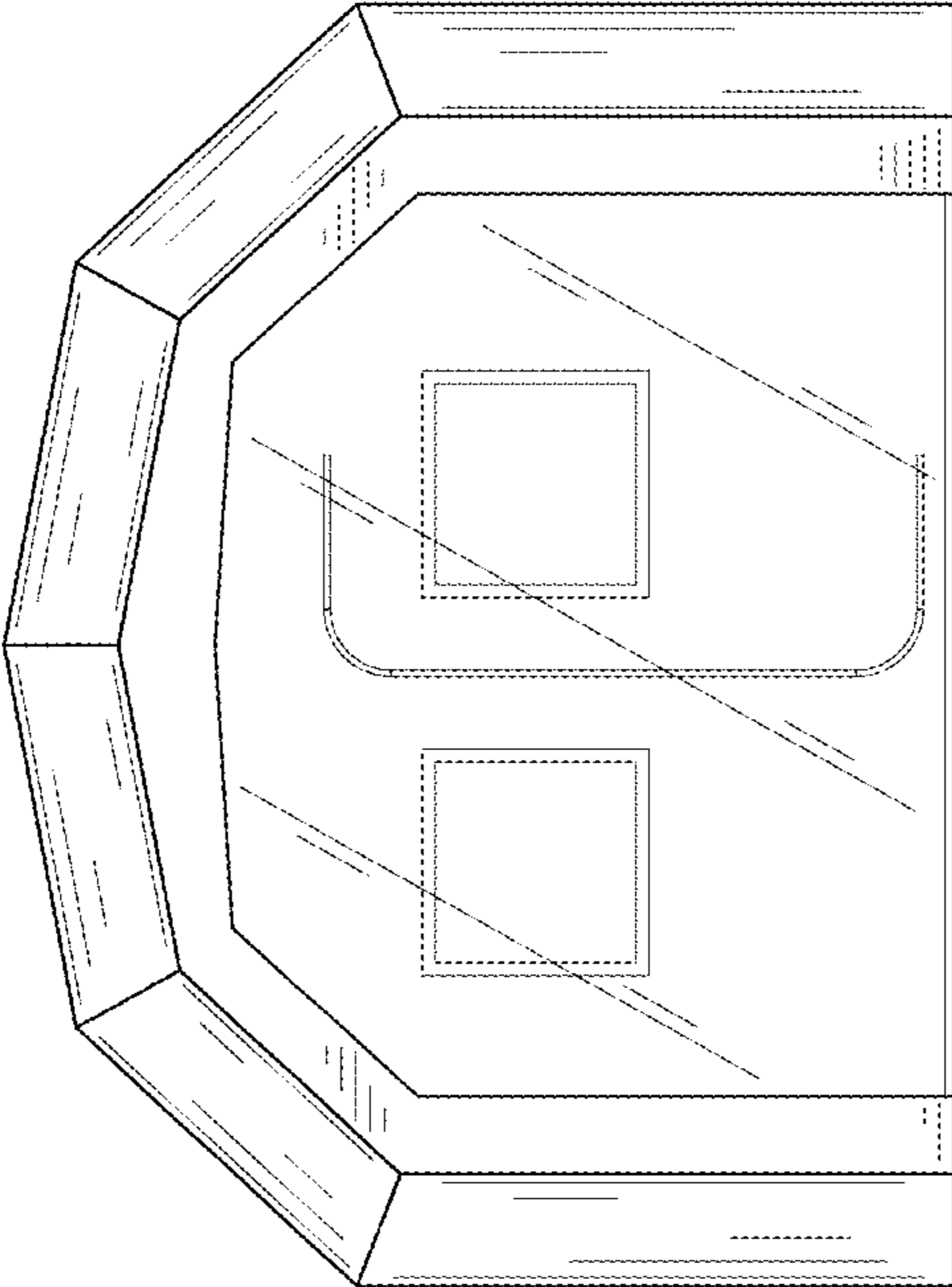


FIG. 3

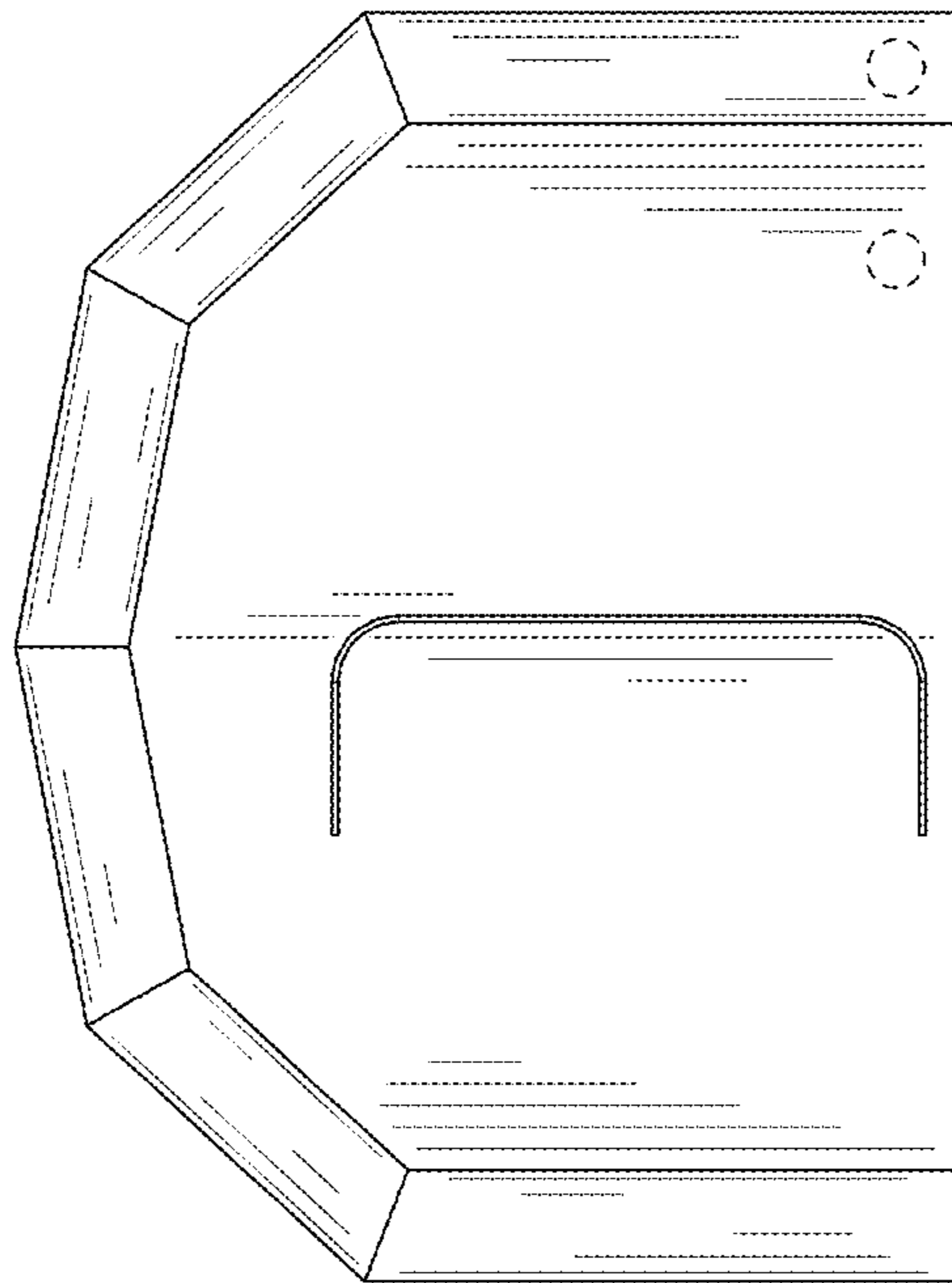


FIG. 4

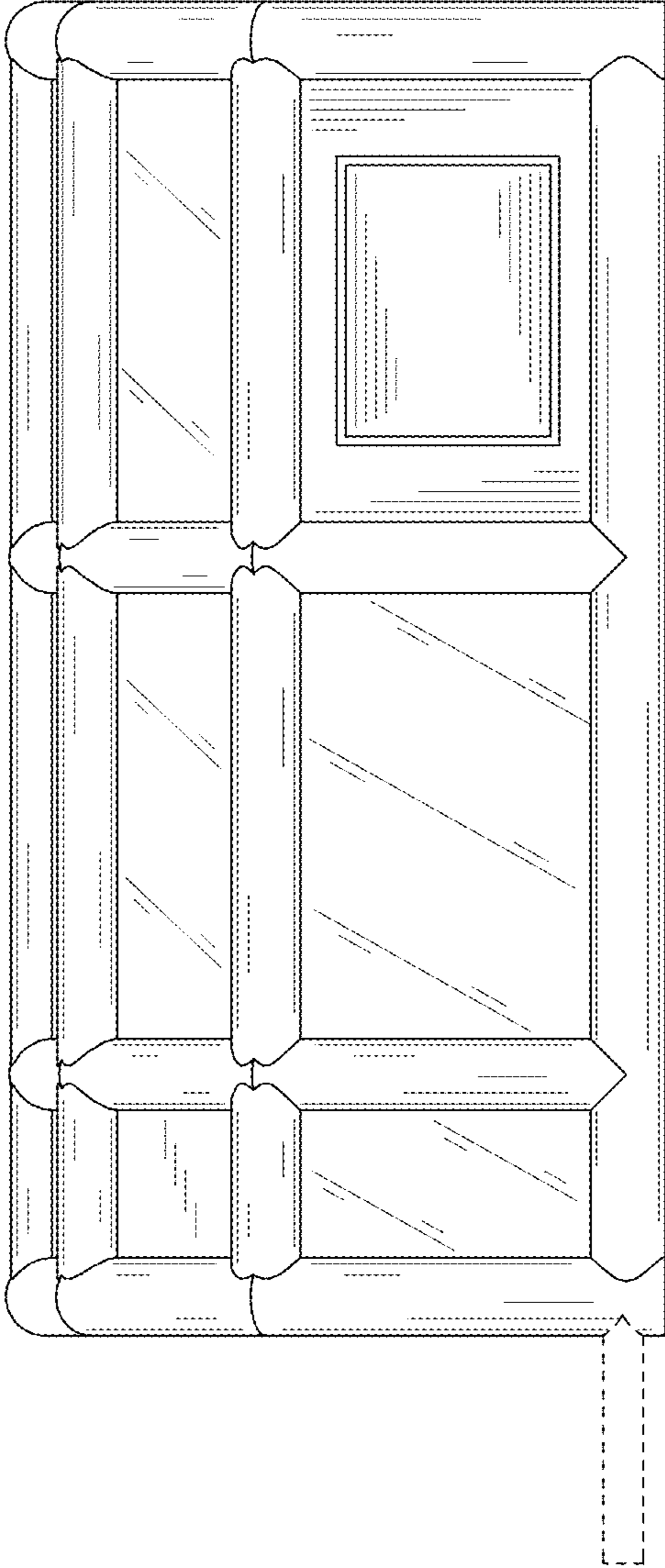


FIG. 5

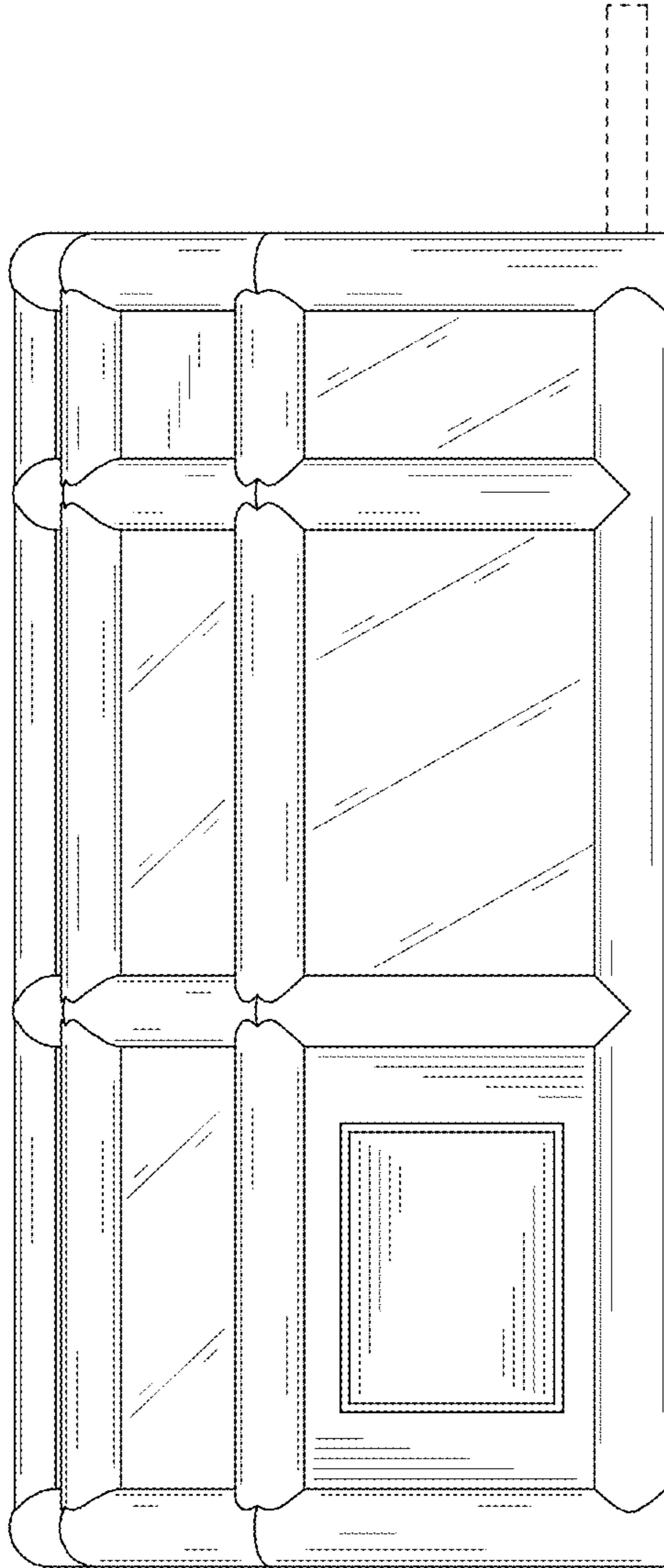


FIG. 6

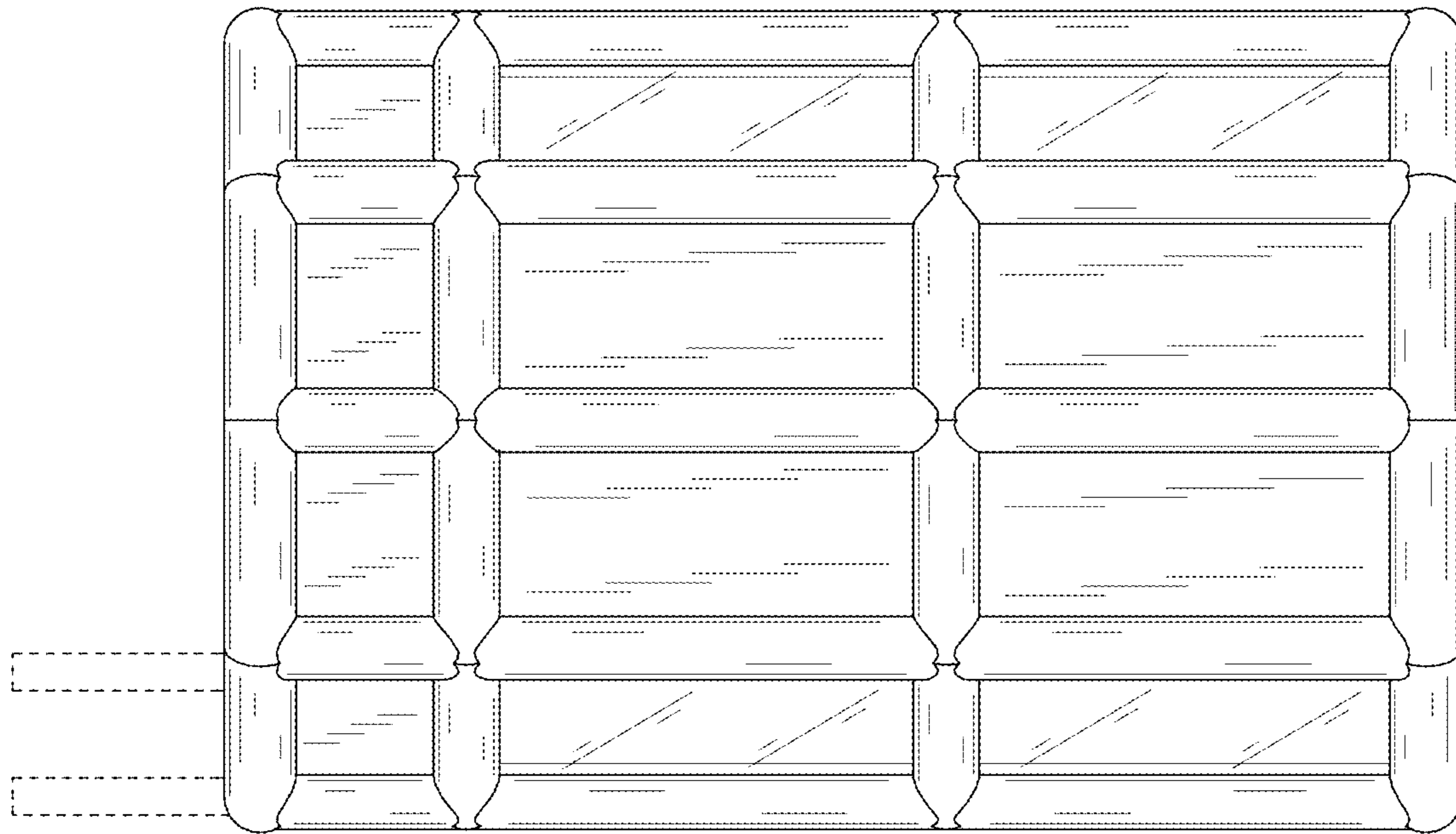


FIG. 7



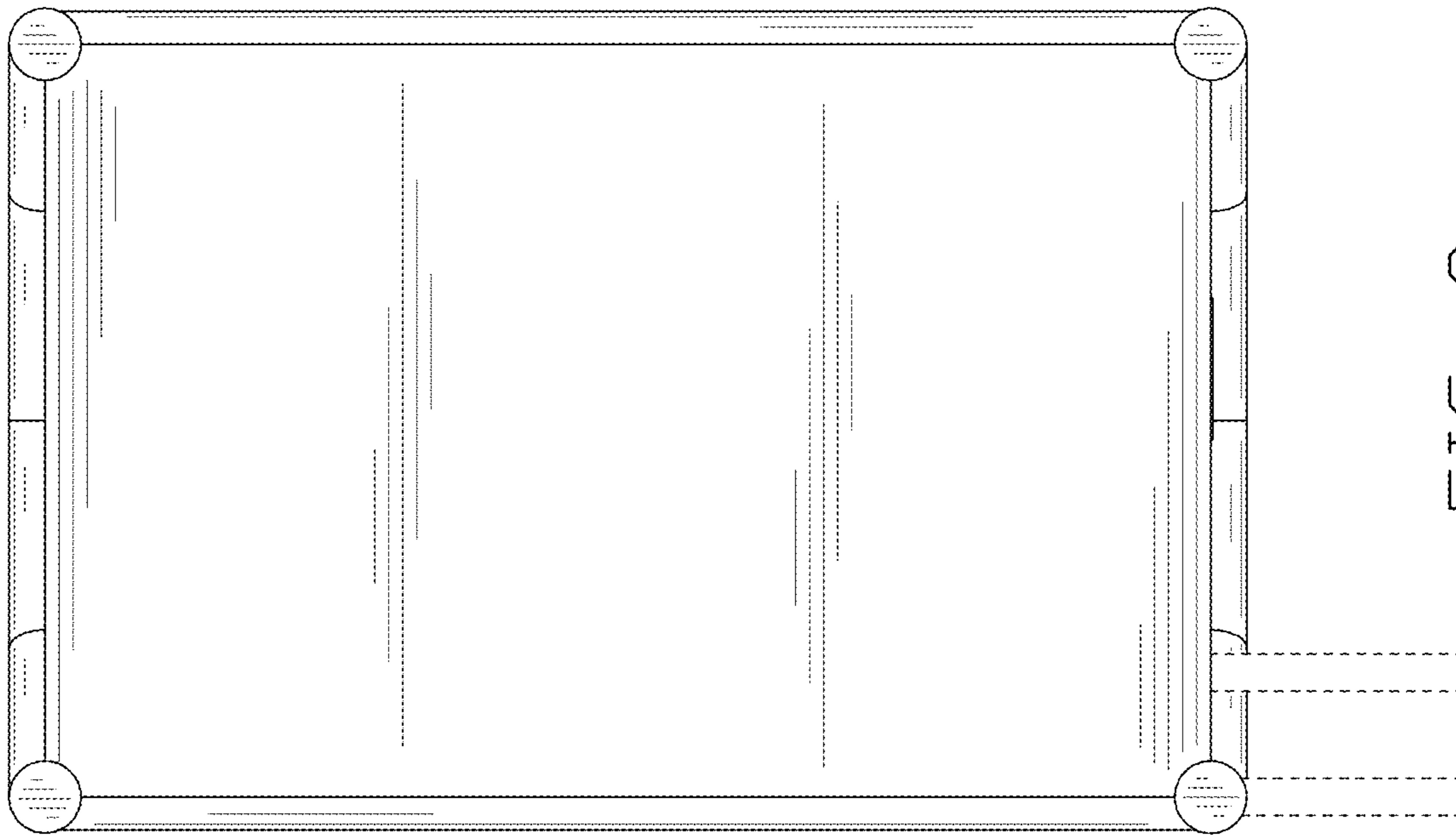


FIG. 8