



US00D980454S

(12) **United States Design Patent**
Khrestich

(10) **Patent No.:** **US D980,454 S**

(45) **Date of Patent:** **** Mar. 7, 2023**

(54) **STUDIO BUILDING**

(71) Applicant: **Mighty Buildings**, Oakland, CA (US)

(72) Inventor: **Elena Khrestich**, Novosibirsk, CA (US)

(73) Assignee: **Mighty Buildings, INC.**, Oakland, CA (US)

(**) Term: **15 Years**

(21) Appl. No.: **29/751,784**

(22) Filed: **Sep. 23, 2020**

(51) **LOC (14) Cl.** **25-03**

(52) **U.S. Cl.**
USPC **D25/1**

(58) **Field of Classification Search**
USPC D25/1-35, 100
CPC E04H 1/02; E04H 1/00; E04H 3/02; E04H
1/125; E04H 1/14

See application file for complete search history.

(56) **References Cited**

U.S. PATENT DOCUMENTS

- 3,010,462 A * 11/1961 Barber E04H 15/06
135/117
- 3,254,914 A * 6/1966 Steck B62D 21/20
280/789
- 3,807,290 A * 4/1974 Eubank F24F 7/06
454/105
- 3,855,814 A * 12/1974 Eubank B60H 1/3226
62/239
- 3,962,885 A * 6/1976 Schoenbachler F24F 13/32
296/156
- D536,710 S * 2/2007 Fenzl D15/30
- D537,089 S * 2/2007 Fenzl D15/30
- D570,248 S * 6/2008 Herrli D12/52
- D641,090 S * 7/2011 Clark D25/16
- D658,543 S * 5/2012 Stanisci D12/52
- D704,104 S * 5/2014 Wilkie D12/106
- D736,948 S * 8/2015 Dar D25/16

- D736,949 S * 8/2015 Dar D25/16
- D768,874 S * 10/2016 Walter D25/16
- D787,704 S * 5/2017 Walter D25/16
- D844,826 S * 4/2019 Kwong D25/18
- D862,733 S * 10/2019 Kwong D25/18
- D936,113 S * 11/2021 Hemry D15/30
- 2006/0017308 A1 * 1/2006 Kojima B60R 21/131
296/190.03

(Continued)

FOREIGN PATENT DOCUMENTS

- CN 305156299 * 5/2019
- KR 3020170027327 * 11/2017
- KR 3020170058263 * 11/2018

OTHER PUBLICATIONS

Mighty Studio, available in mightybuildings.com, announced Year 2019 [online], [site visited Mar. 2, 2022], Internet URL: <https://www.facebook.com/mightybuildings/photos/873147779705326> (Year: 2019).*

(Continued)

Primary Examiner — Kathleen L Jones

Assistant Examiner — Jasmine L. Comedy

(74) *Attorney, Agent, or Firm* — Marina Mikhailova

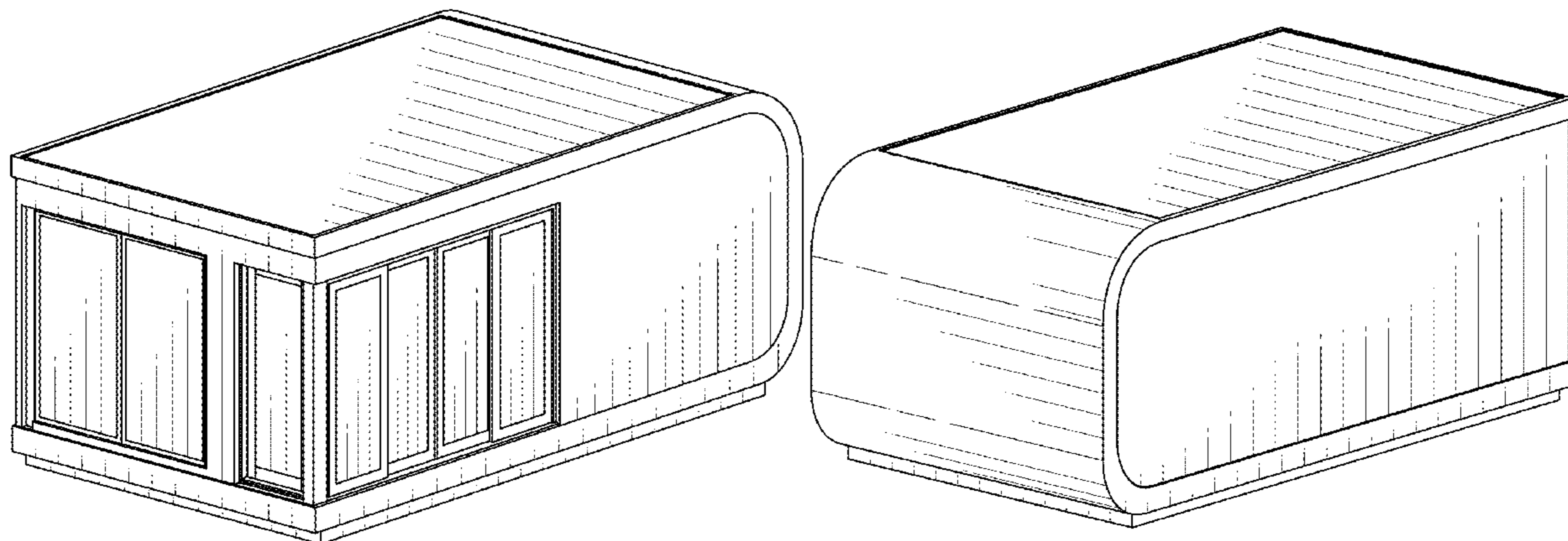
(57) **CLAIM**

The ornamental design for a studio building, as shown and described.

DESCRIPTION

FIG. 1 is a front perspective view of the studio building; FIG. 2 is a rear perspective view of the studio building; FIG. 3 is a front view of the studio building; FIG. 4 is a rear view of the studio building; FIG. 5 is a right side view of the studio building; FIG. 6 is a left side view of the studio building; and, FIG. 7 is a top view of the studio building.

1 Claim, 4 Drawing Sheets



(56)

References Cited

U.S. PATENT DOCUMENTS

2019/0382981 A1* 12/2019 Lee E02F 9/163

OTHER PUBLICATIONS

Mighty Studio II, available in mightybuildings.com, announced Year 2020 [online], [site visited Mar. 11, 2022], Internet URL: <https://www.archpaper.com/2020/08/mighty-buildings-3d-printing-prefabricated-accessory-dwelling-units/> (Year: 2020).*

* cited by examiner

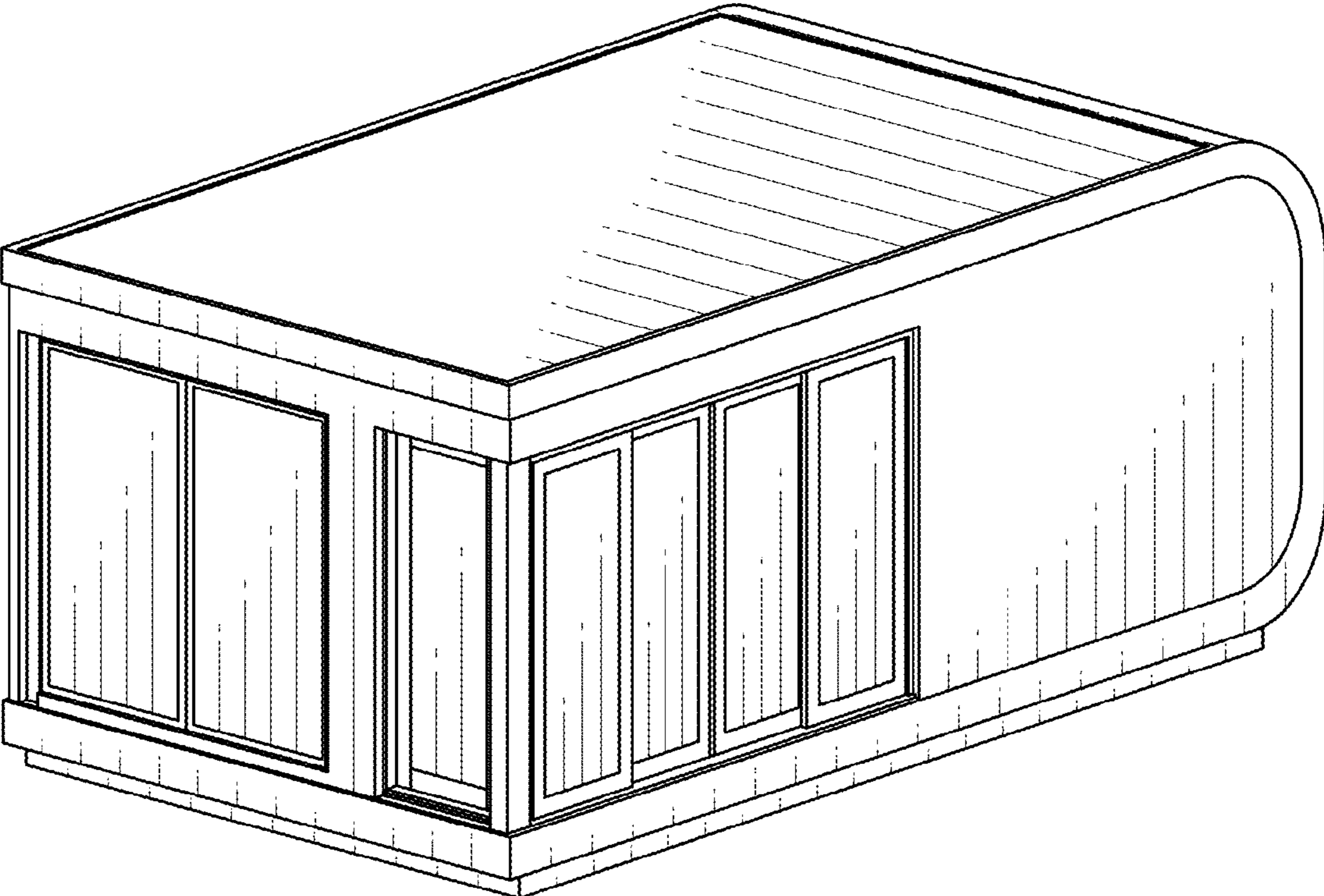


FIG. 1

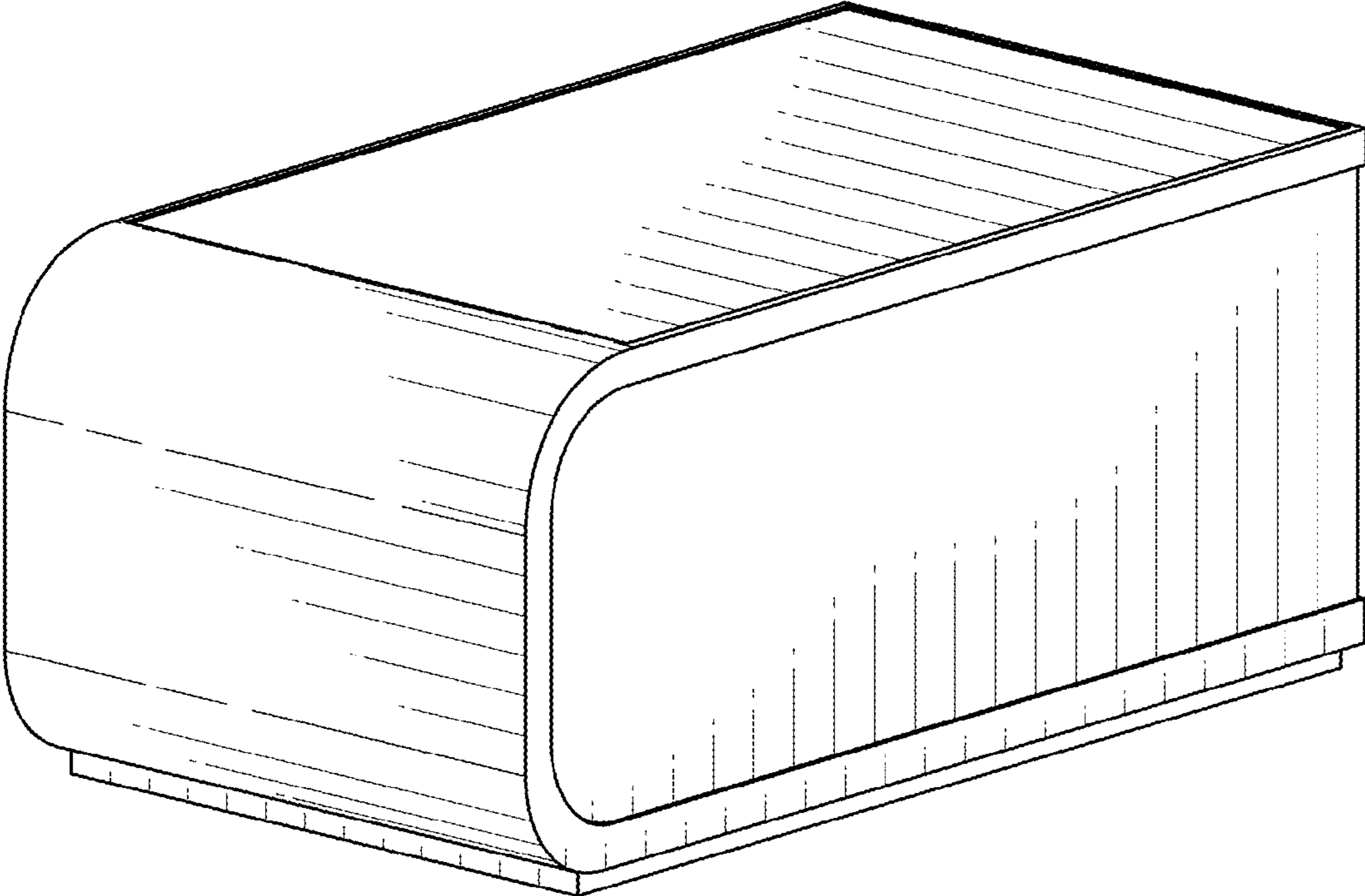


FIG. 2

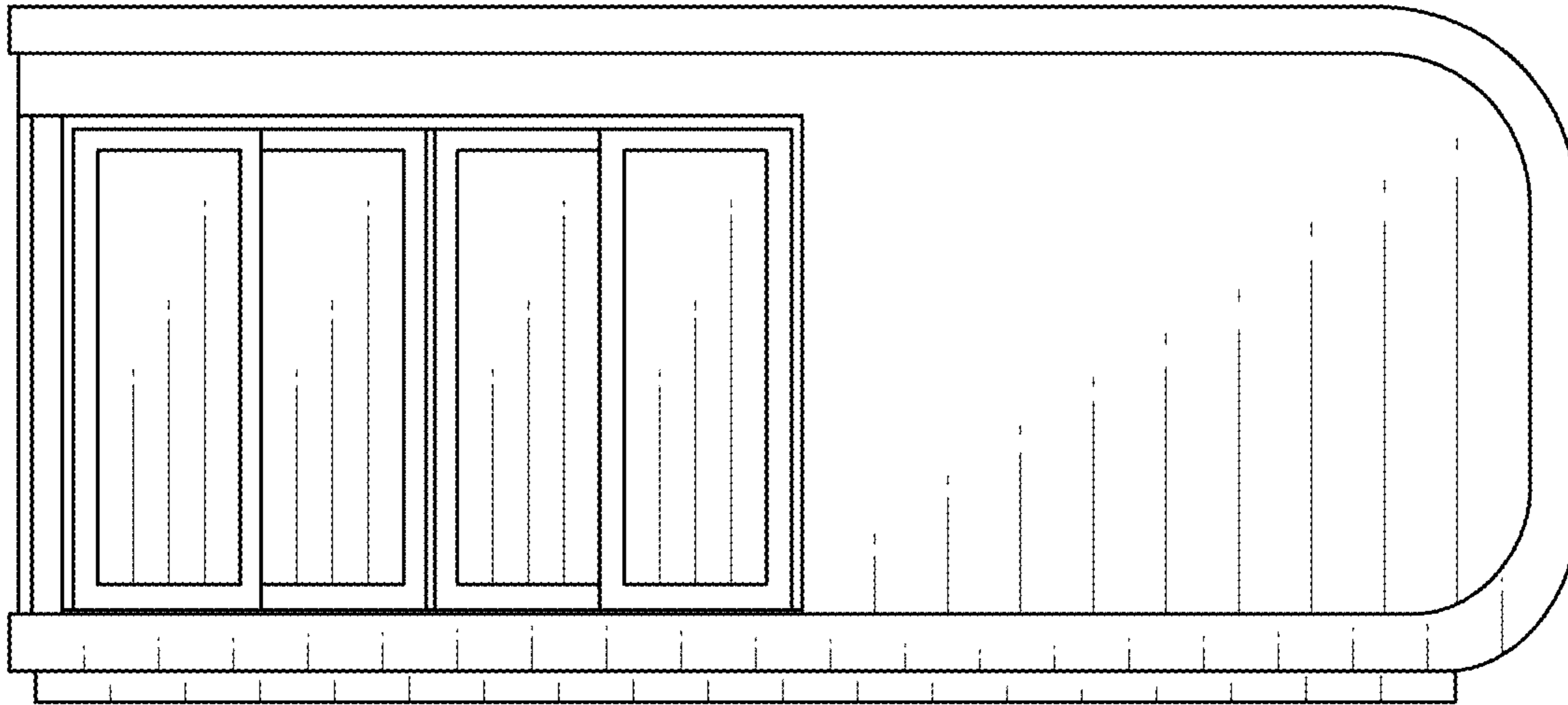


FIG. 3

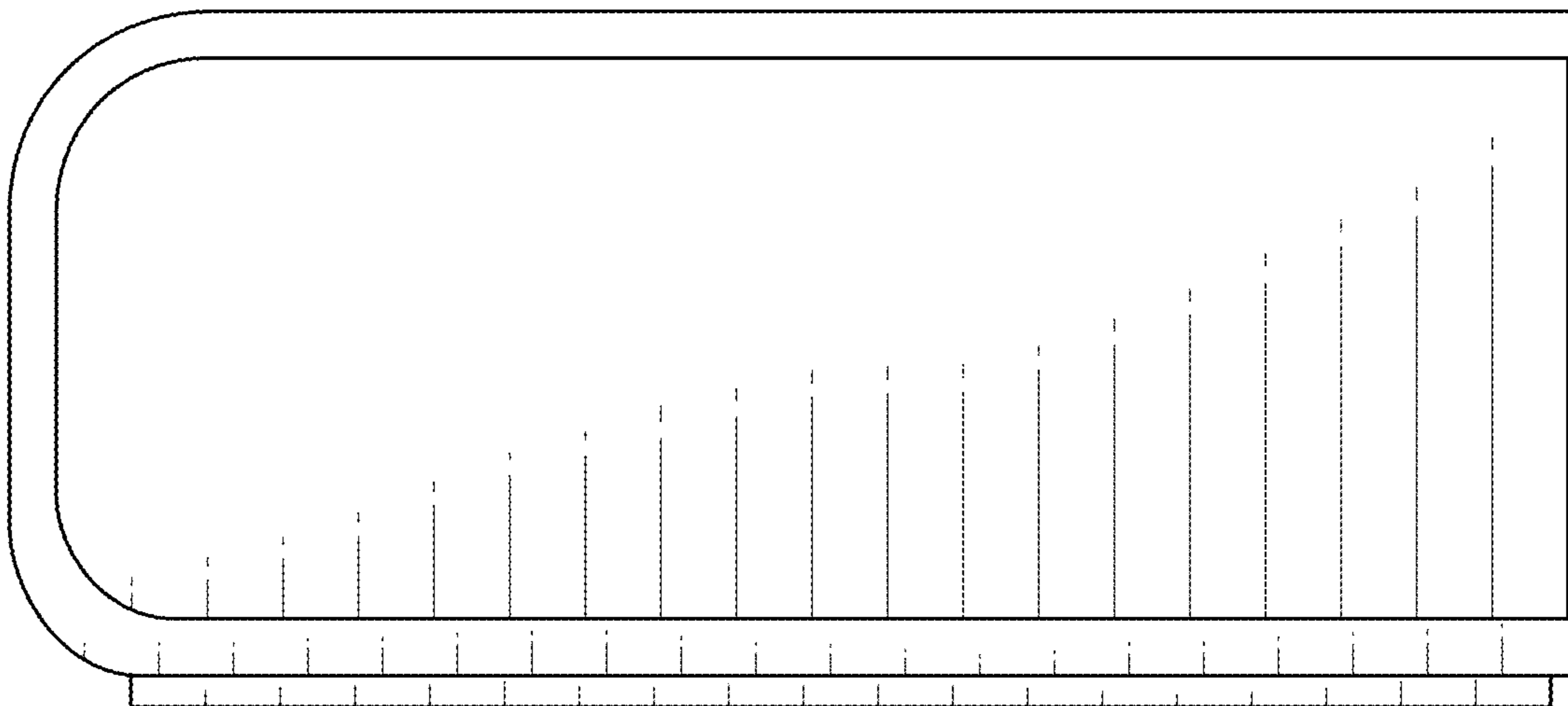


FIG. 4

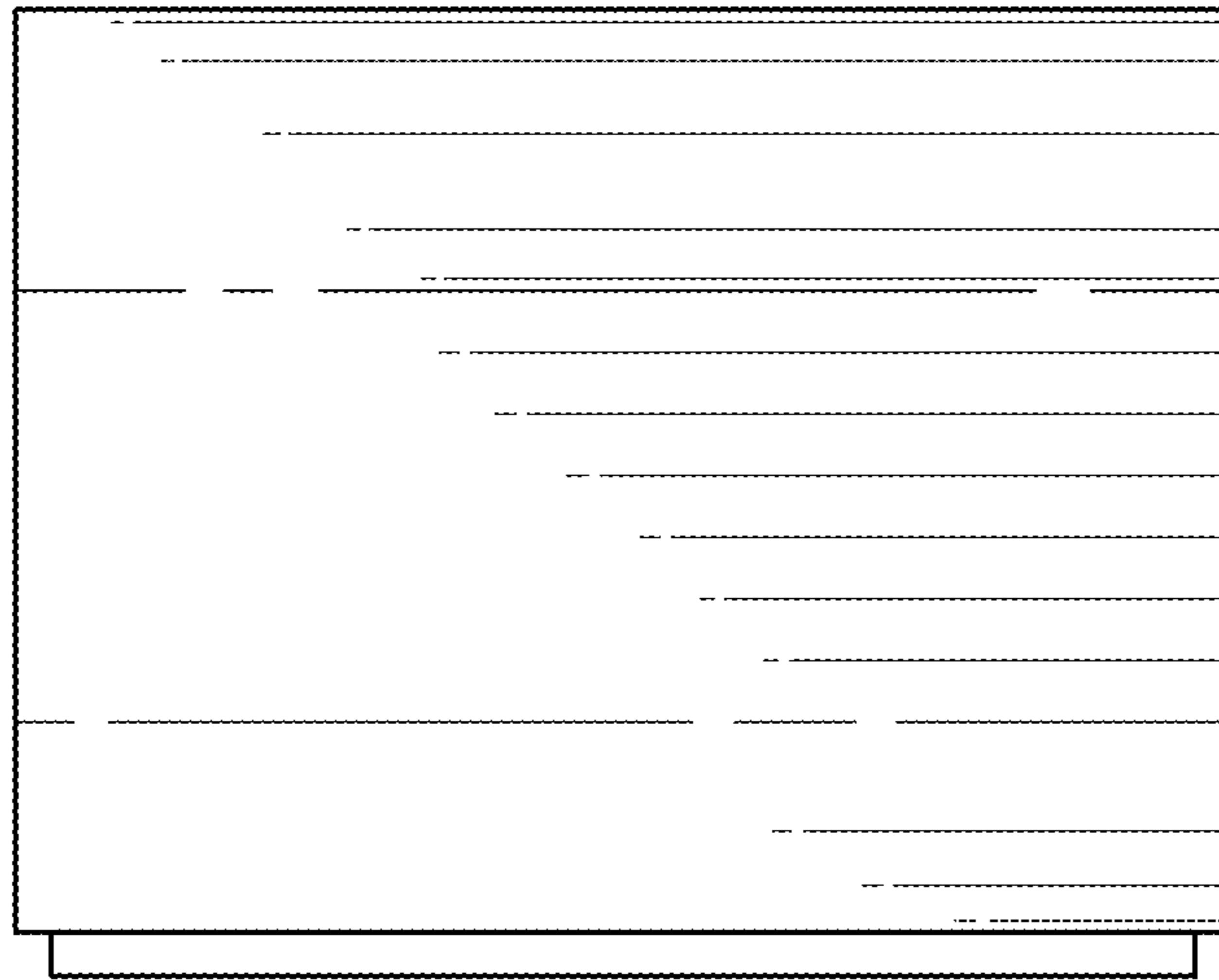


FIG. 5

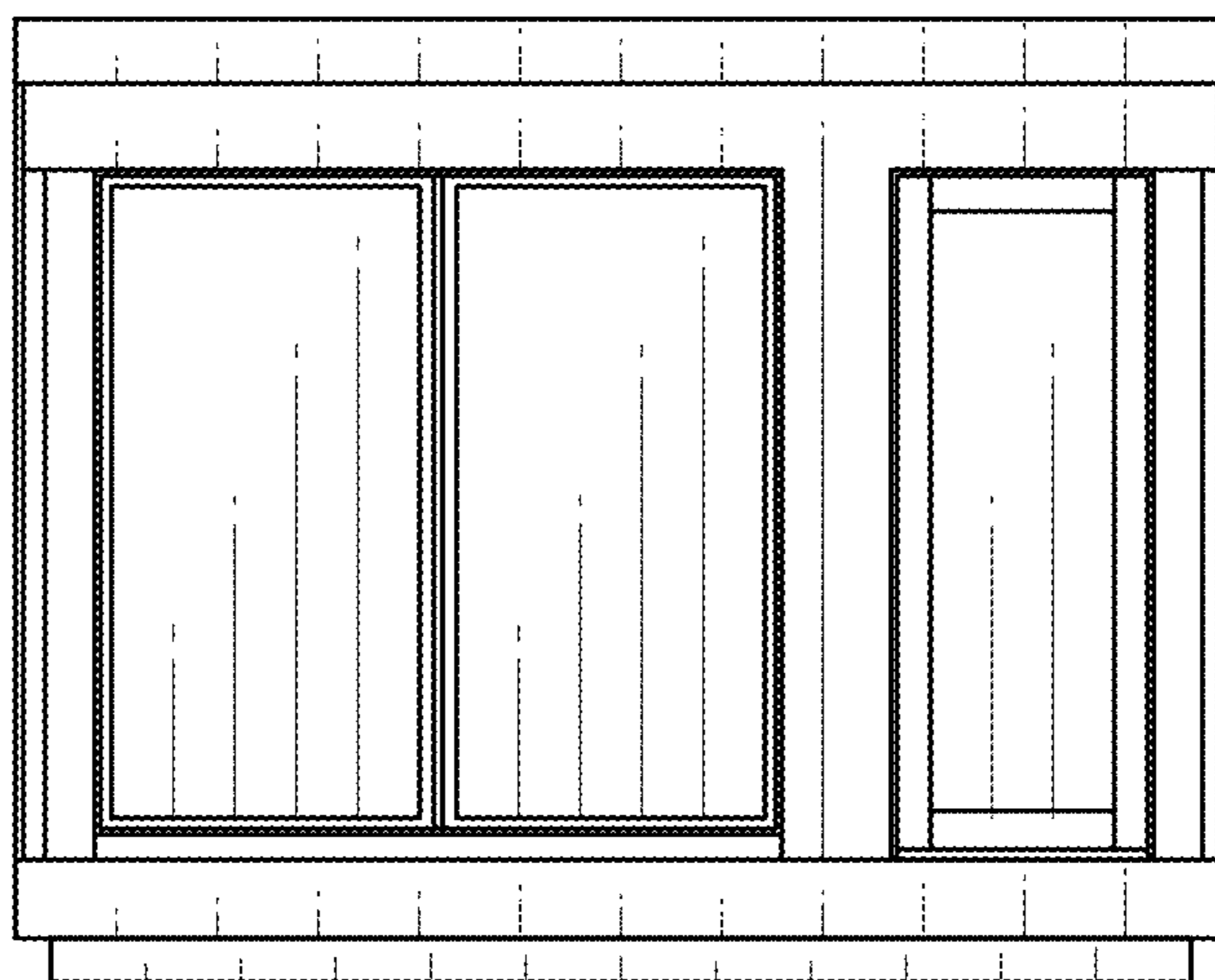


FIG. 6

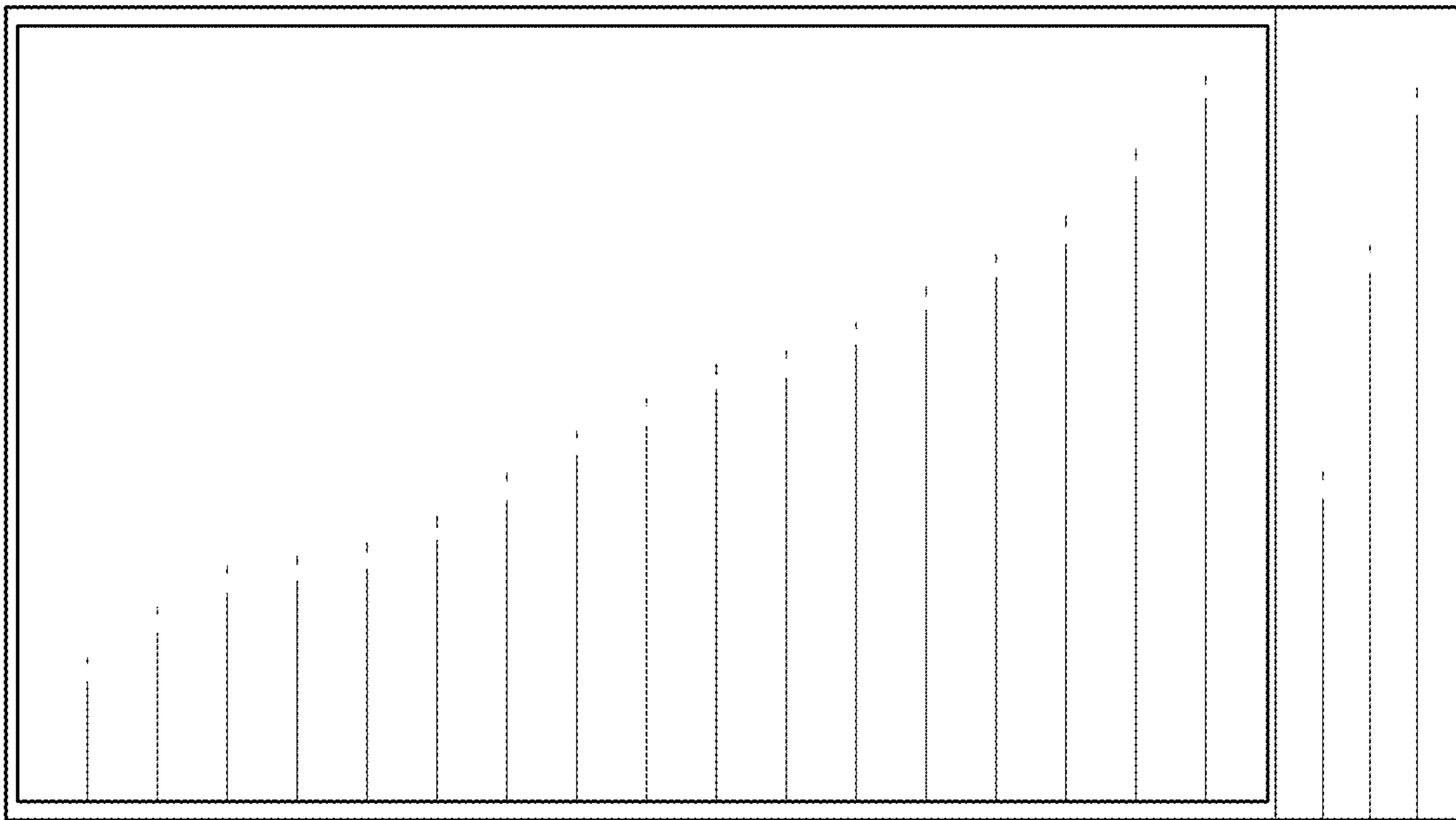


FIG. 7