



US00D980453S

(12) **United States Design Patent**
Han et al.

(10) **Patent No.:** **US D980,453 S**
(45) **Date of Patent:** **** Mar. 7, 2023**

(54) **PLASMA MONITORING FLOW CELL**

(71) Applicant: **DONGWOO FINE-CHEM CO., LTD.**, Jeollabuk-do (KR)

(72) Inventors: **Seung Pil Han**, Jeollabuk-do (KR);
Seong Woong Yoon, Jeollabuk-do (KR); **Jeong Min Choi**, Gyeonggi-do (KR)

(73) Assignee: **DONGWOO FINE-CHEM CO., LTD.**, Jeollabuk-Do (KR)

(**) Term: **15 Years**

(21) Appl. No.: **29/783,956**

(22) Filed: **May 17, 2021**

(30) **Foreign Application Priority Data**

Nov. 17, 2020 (KR) 30-2020-0055545

(51) **LOC (14) Cl.** **24-02**

(52) **U.S. Cl.**
USPC **D24/227**; D24/224

(58) **Field of Classification Search**
USPC D24/107, 186, 216, 223-233; D10/81
CPC B01L 3/5027; B01L 3/502707; B01L 9/52;
B01L 9/523; B01L 9/527; B01L 2300/0609; B01L 2300/0809; B01L 2300/0877; B01L 2200/027
See application file for complete search history.

(56) **References Cited**

U.S. PATENT DOCUMENTS

D566,851 S * 4/2008 Hawker D24/230
D591,425 S * 4/2009 Hawker D24/230
D812,767 S * 3/2018 Osmus D24/225
D851,275 S * 6/2019 Spuhler D24/225
D856,527 S * 8/2019 Kaplan D24/225
D857,228 S * 8/2019 Kaplan D24/225
D919,115 S * 5/2021 Kaplan D24/225

D953,574 S * 5/2022 Taylor D24/232
2015/0118739 A1 * 4/2015 Kobayashi B01L 3/5027
156/245
2017/0341075 A1 * 11/2017 Sirkis C23C 14/0031

FOREIGN PATENT DOCUMENTS

TW D183447 6/2017

OTHER PUBLICATIONS

PlasmaFlow™. Online, published date unknown. Retrieved on Oct. 4, 2022 from URL: <https://www.breg.com/products/dvt-prophylaxis/plasmaflow/plasmaflow/>.
Notice of Allowance dated Dec. 30, 2021 from Taiwan Patent Office in a counterpart Taiwan Patent Application No. 110302463 (English translation is also submitted herewith.).

* cited by examiner

Primary Examiner — Omeed Agilee

(74) Attorney, Agent, or Firm — The PL Law Group, PLLC

(57) **CLAIM**

The ornamental design for a plasma monitoring flow cell, as shown and described.

DESCRIPTION

FIG. 1 is a top right perspective view of a plasma monitoring flow cell showing our new design;
FIG. 2 is a front view thereof;
FIG. 3 is a rear view thereof;
FIG. 4 is a left side view thereof;
FIG. 5 is a right side view thereof;
FIG. 6 is a top plan view thereof;
FIG. 7 is a bottom plan view thereof;
FIG. 8 is a front left perspective view thereof;
FIG. 9 is a rear left perspective view thereof;
FIG. 10 is a cross-section view taken along line 10-10 in FIG. 6; and,

(Continued)

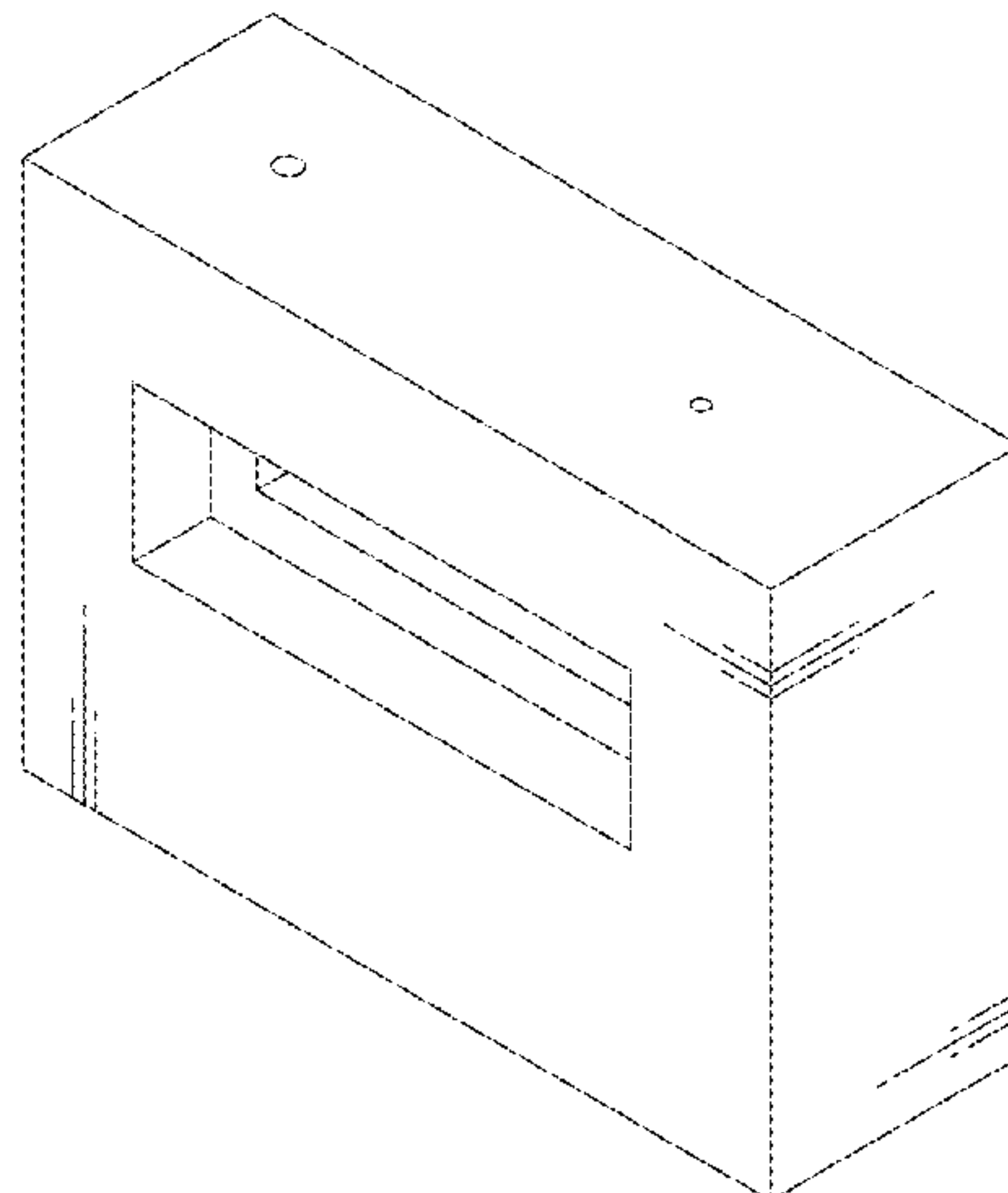


FIG. 11 is a cross-section view taken along line 11-11 in
FIG. 2.

1 Claim, 8 Drawing Sheets

FIG. 1

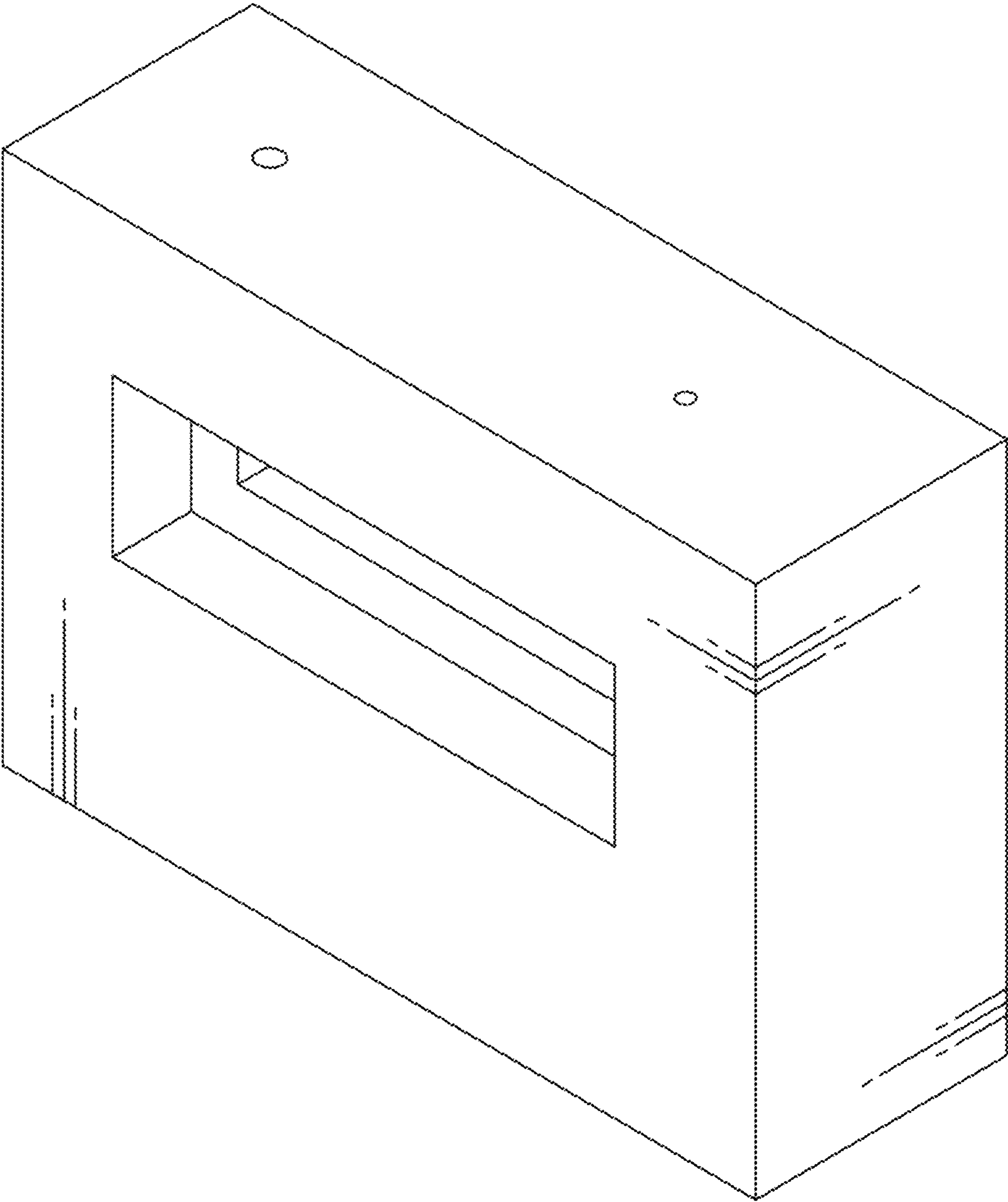


FIG. 2

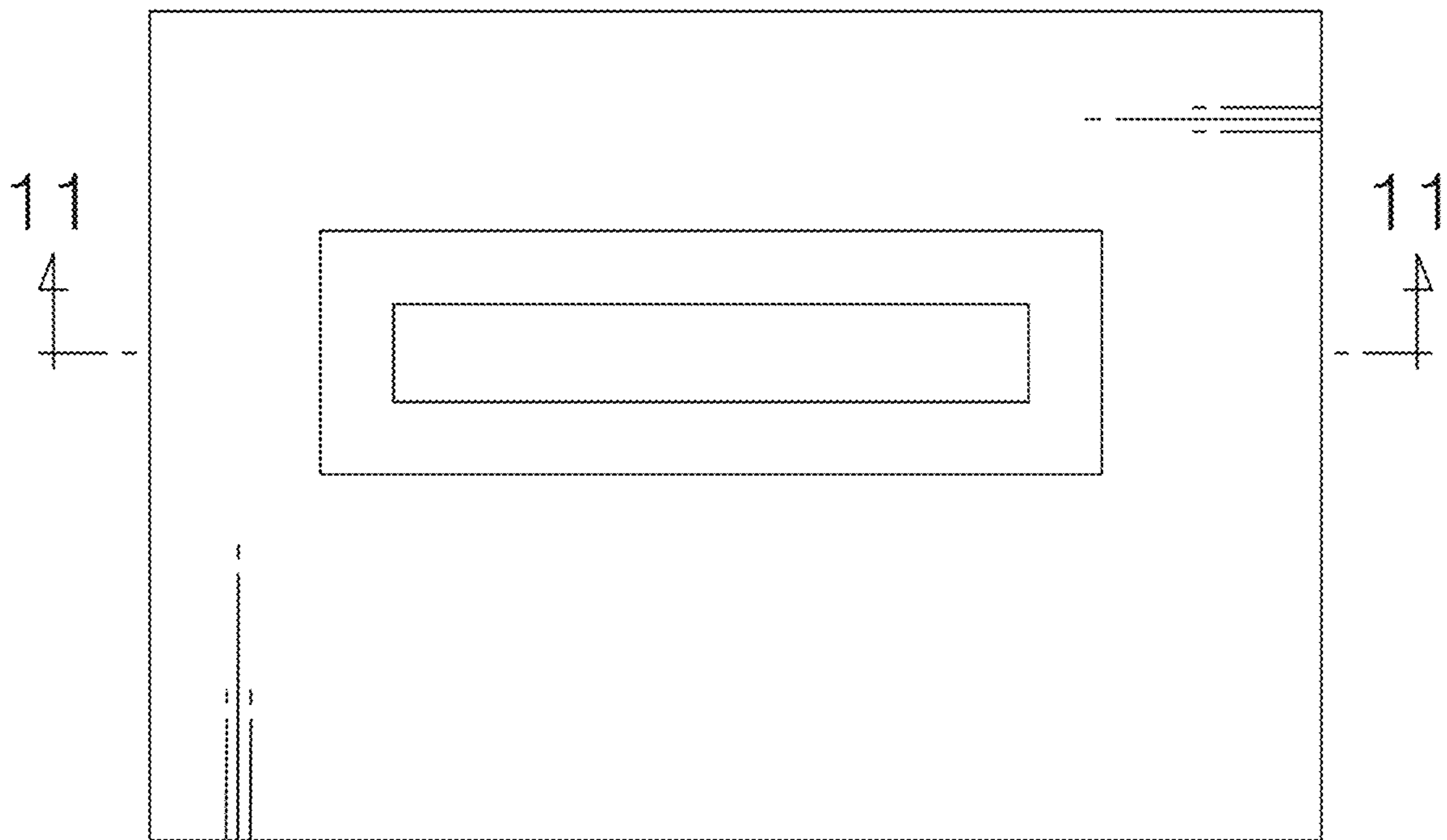


FIG. 3

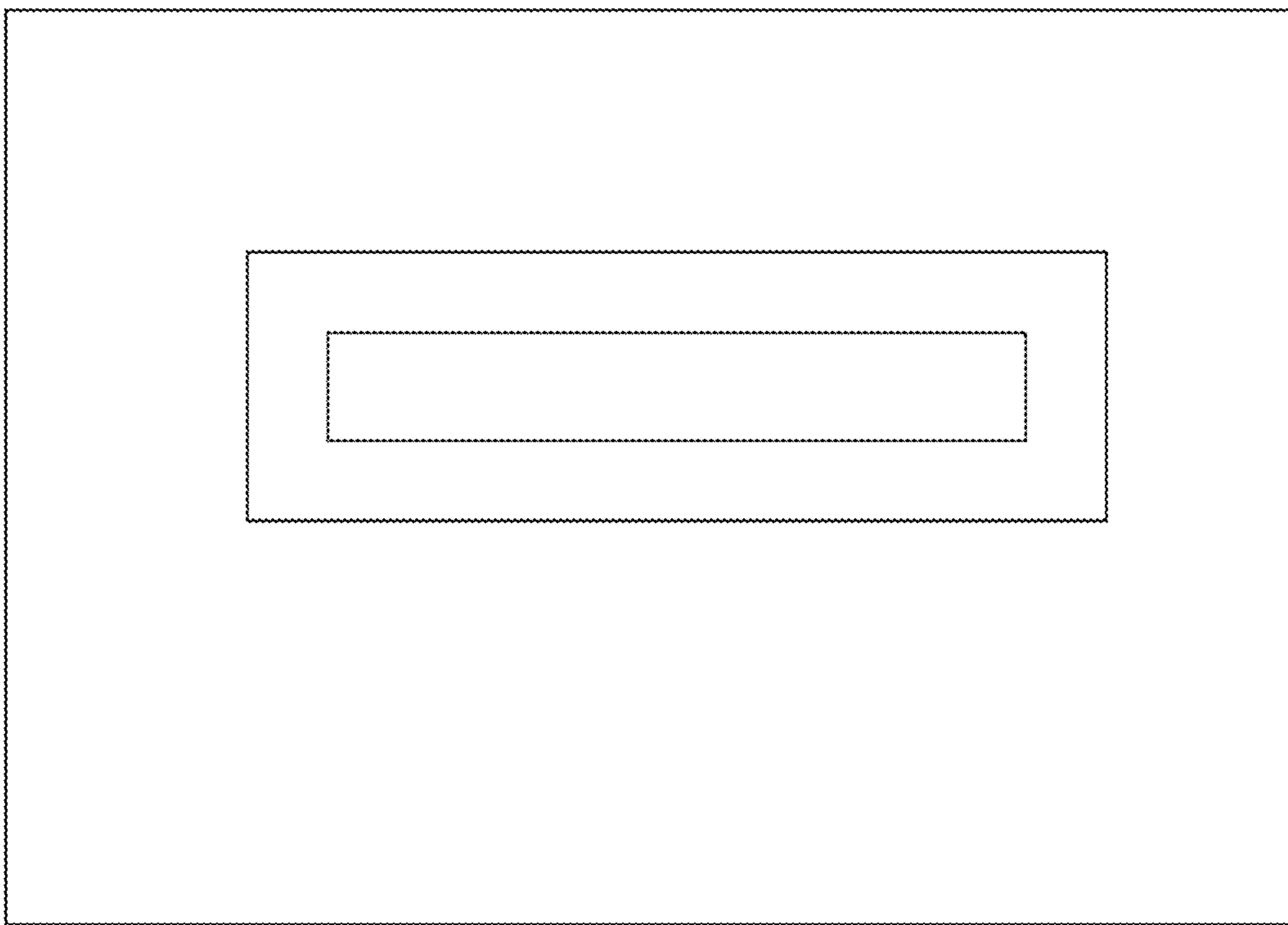


FIG. 4

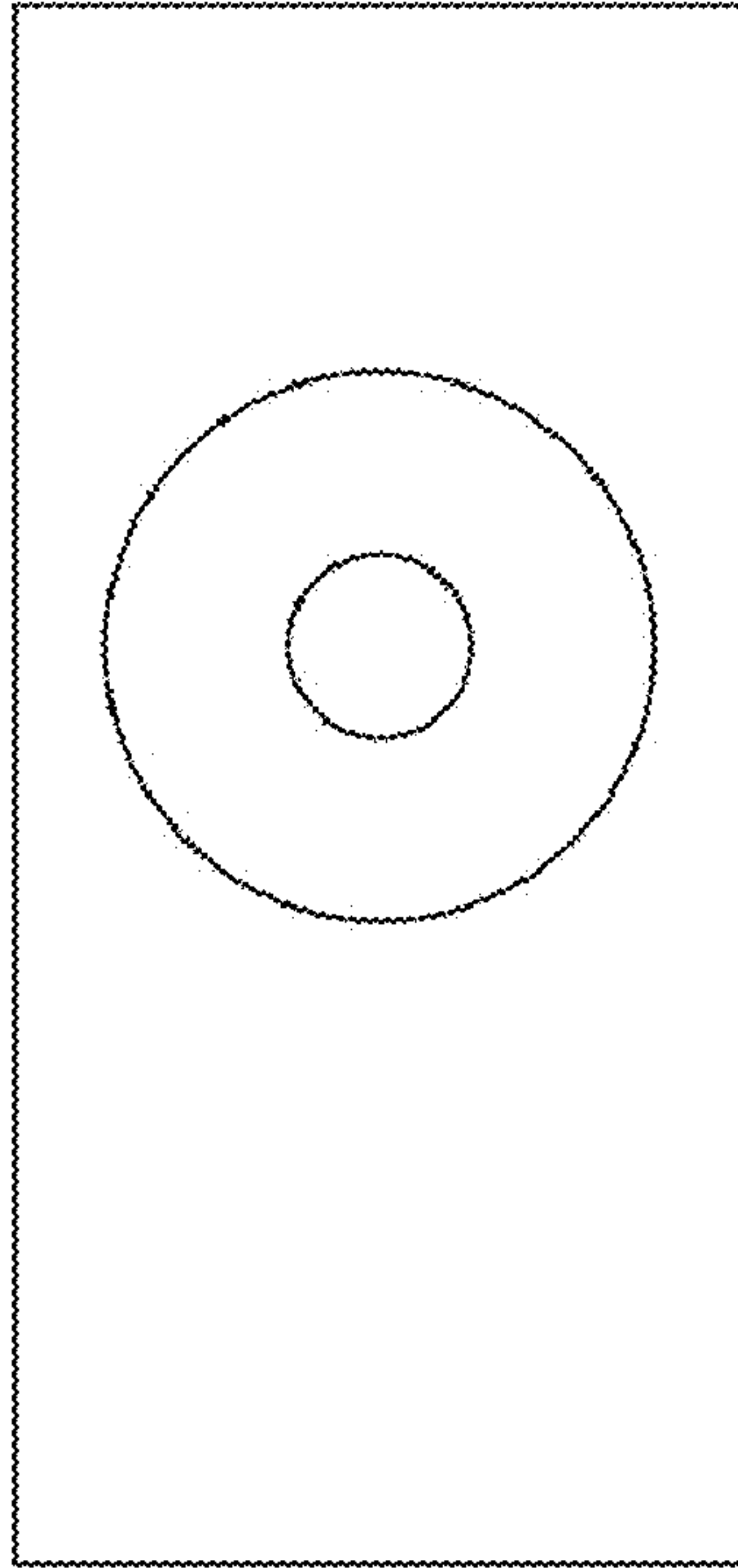


FIG. 5

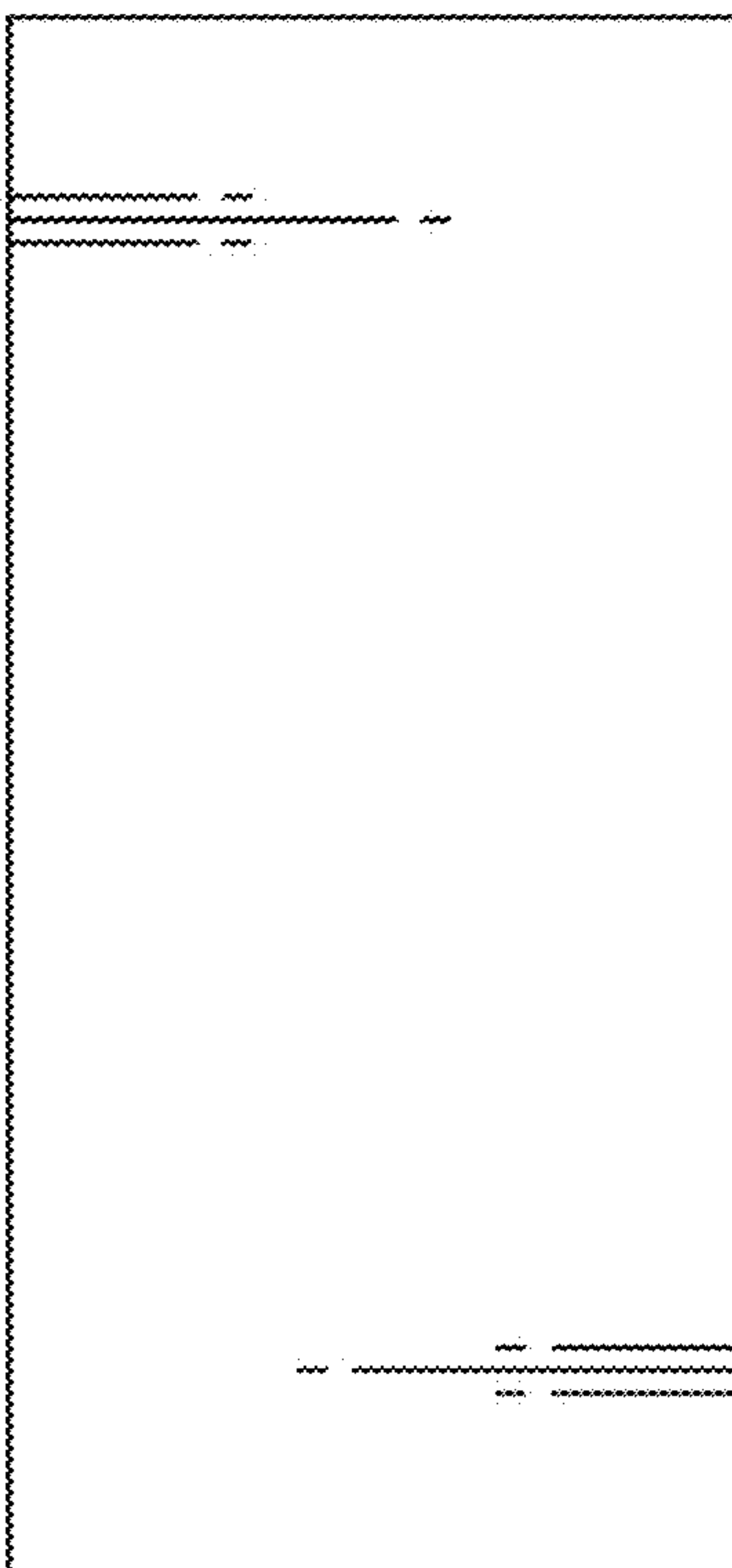


FIG. 6



FIG. 7

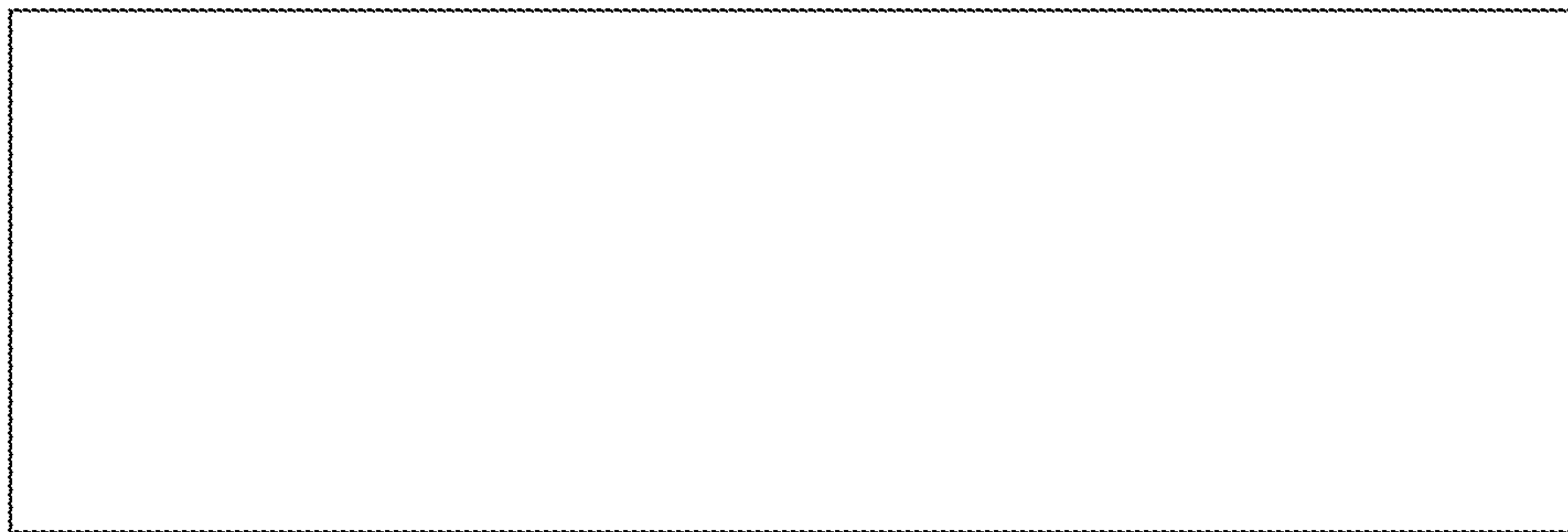


FIG. 8

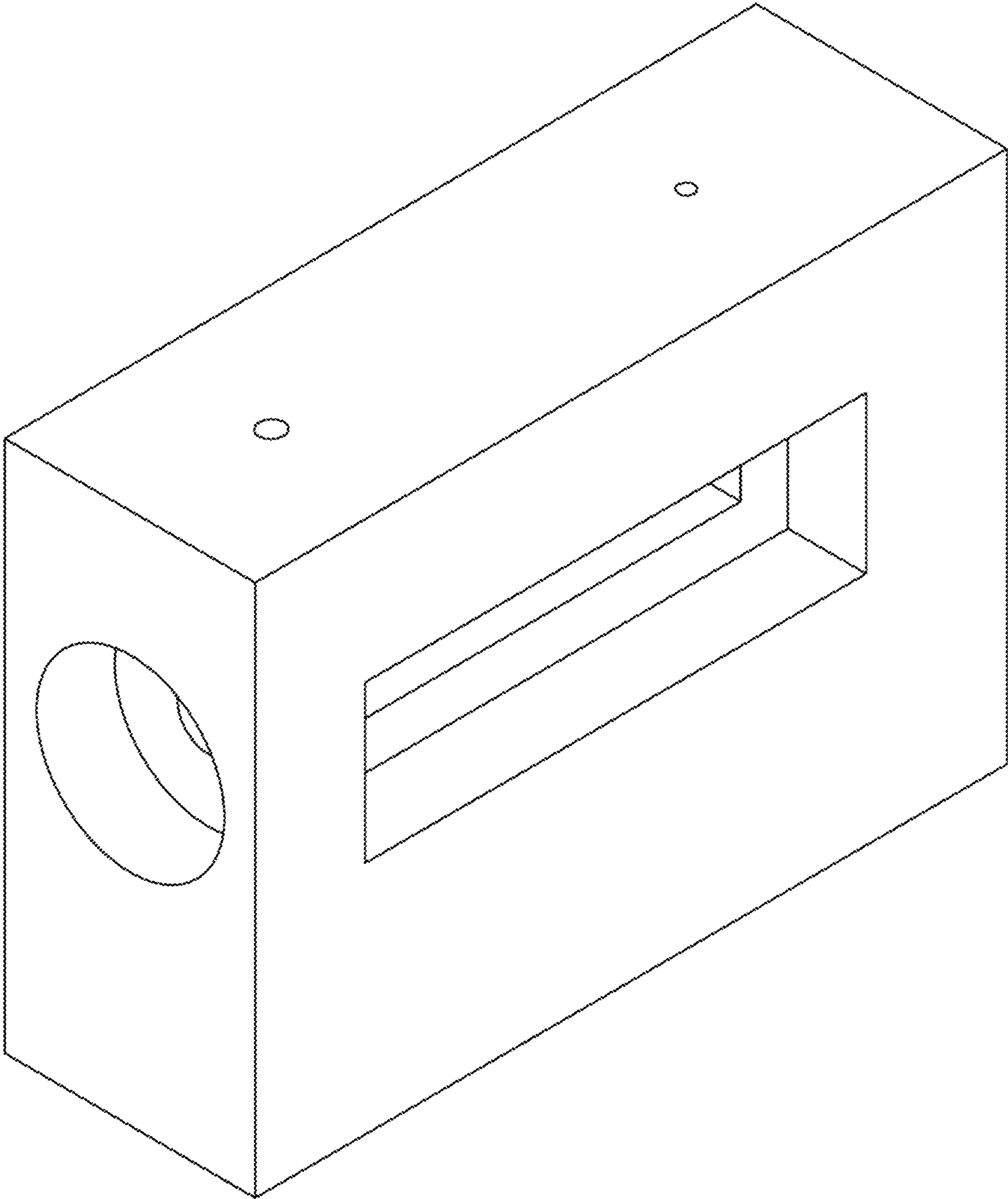


FIG. 9

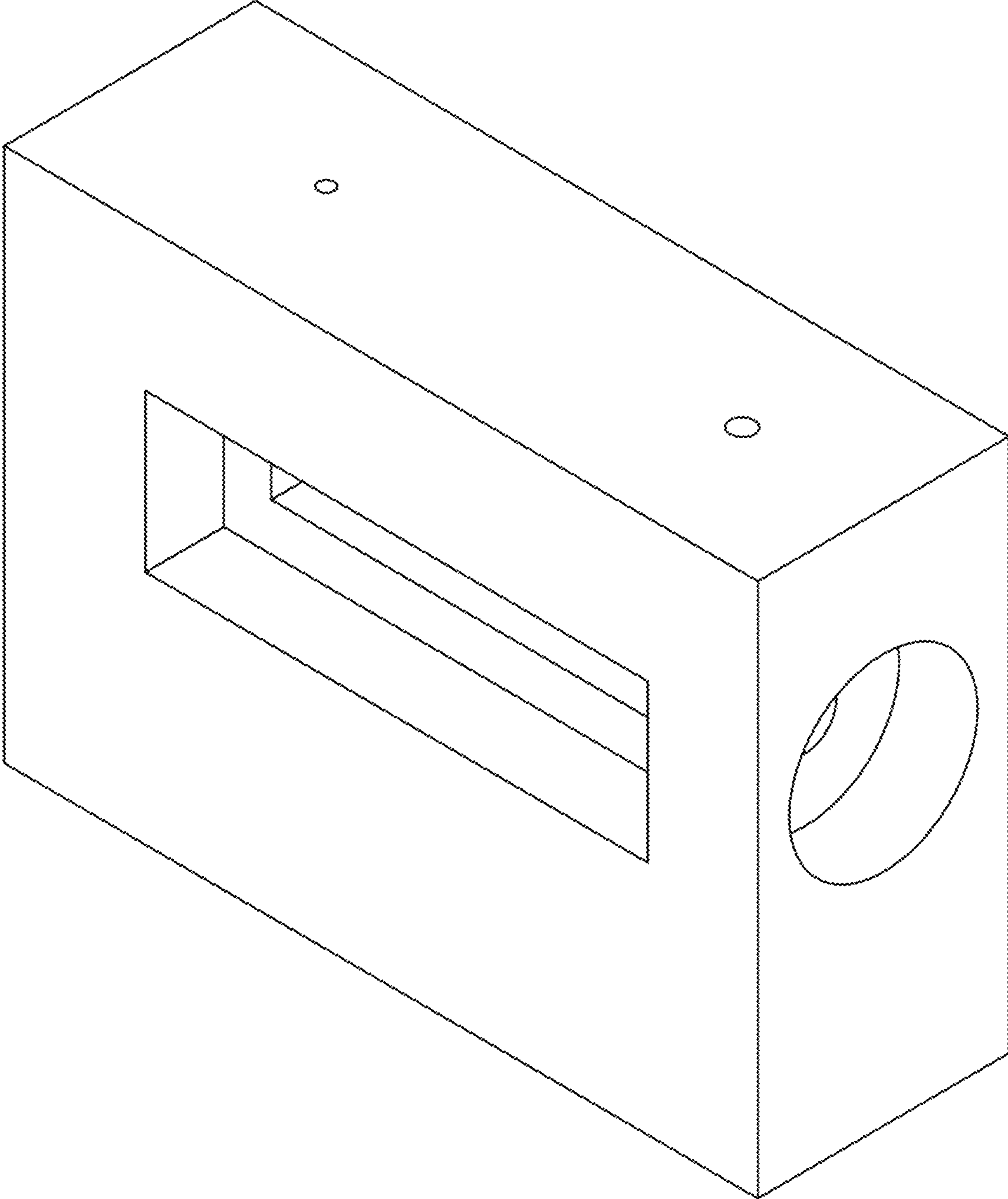


FIG. 10

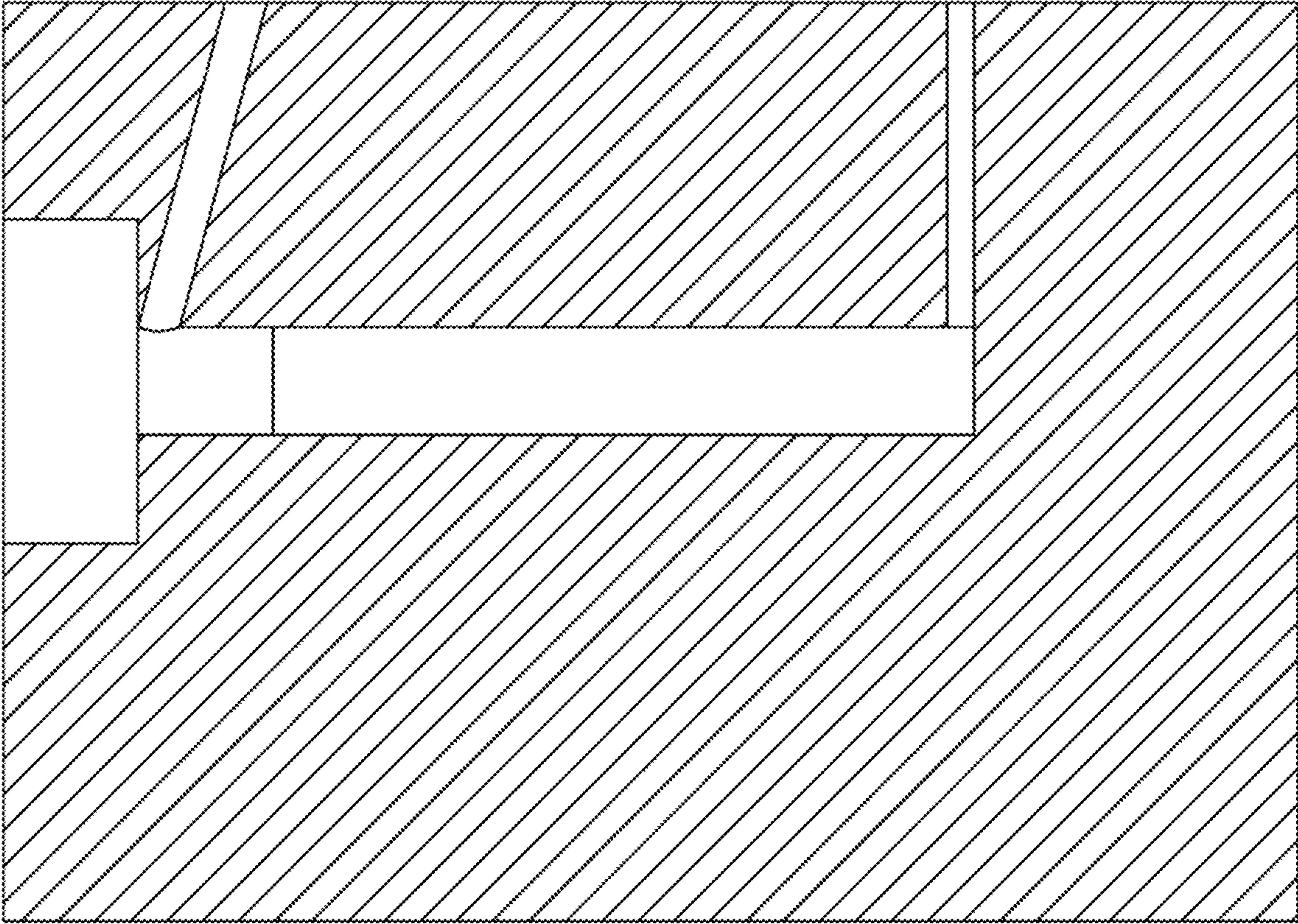


FIG. 11

