



US00D980451S

(12) **United States Design Patent** (10) **Patent No.:** **US D980,451 S**
Ueyama (45) **Date of Patent:** **** Mar. 7, 2023**

(54) **SAMPLE STORAGE TUBE**
(71) Applicant: **KOBE BIO ROBOTIX CO, LTD.,**
Kato (JP)

D765,836 S * 9/2016 Kammer D24/121
D815,737 S * 4/2018 Bergström D24/130
D879,320 S * 3/2020 Kakuda D24/224
D950,768 S * 5/2022 Conway D24/224
(Continued)

(72) Inventor: **Yukio Ueyama, Kobe (JP)**
(73) Assignee: **KOBE BIO ROBOTIX CO, LTD.,**
Hyogo (JP)

FOREIGN PATENT DOCUMENTS

CN 201630649361 * 6/2017
CN 201830048740 * 8/2018
(Continued)

(**) Term: **15 Years**
(21) Appl. No.: **29/794,375**
(22) Filed: **Jun. 11, 2021**

OTHER PUBLICATIONS

1.10 ML Screw Cap Tube, Internal V-Bottom. Online, published date unknown. Retrieved on Oct. 12, 2022 from URL: https://t27776-s44382.mozu.com/lpt1ml-screw-cap-tube-v-bottom/p/110SC-Tube-V.*
(Continued)

Related U.S. Application Data

(63) Continuation of application No. 15/580,201, filed as application No. PCT/JP2016/057991 on Mar. 14, 2016, now abandoned.

Primary Examiner — Omeed Agilee
(74) *Attorney, Agent, or Firm* — Hamre, Schumann, Mueller & Larson, P.C.

(51) **LOC (14) Cl.** **24-02**
(52) **U.S. Cl.**
USPC **D24/224**

(58) **Field of Classification Search**
USPC D24/107, 121–123, 216–217, 219, D24/223–227, 229–231, 232; D9/504, D9/516, 519, 529, 549, 574, 715, 719; D3/201, 203.1, 203.2
CPC ... B29C 65/665; A61B 10/0045; A61B 5/154; A61J 1/1468; B01L 3/50825; B65D 41/04
See application file for complete search history.

(57) **CLAIM**

The ornamental design for a sample storage tube, as shown and described.

DESCRIPTION

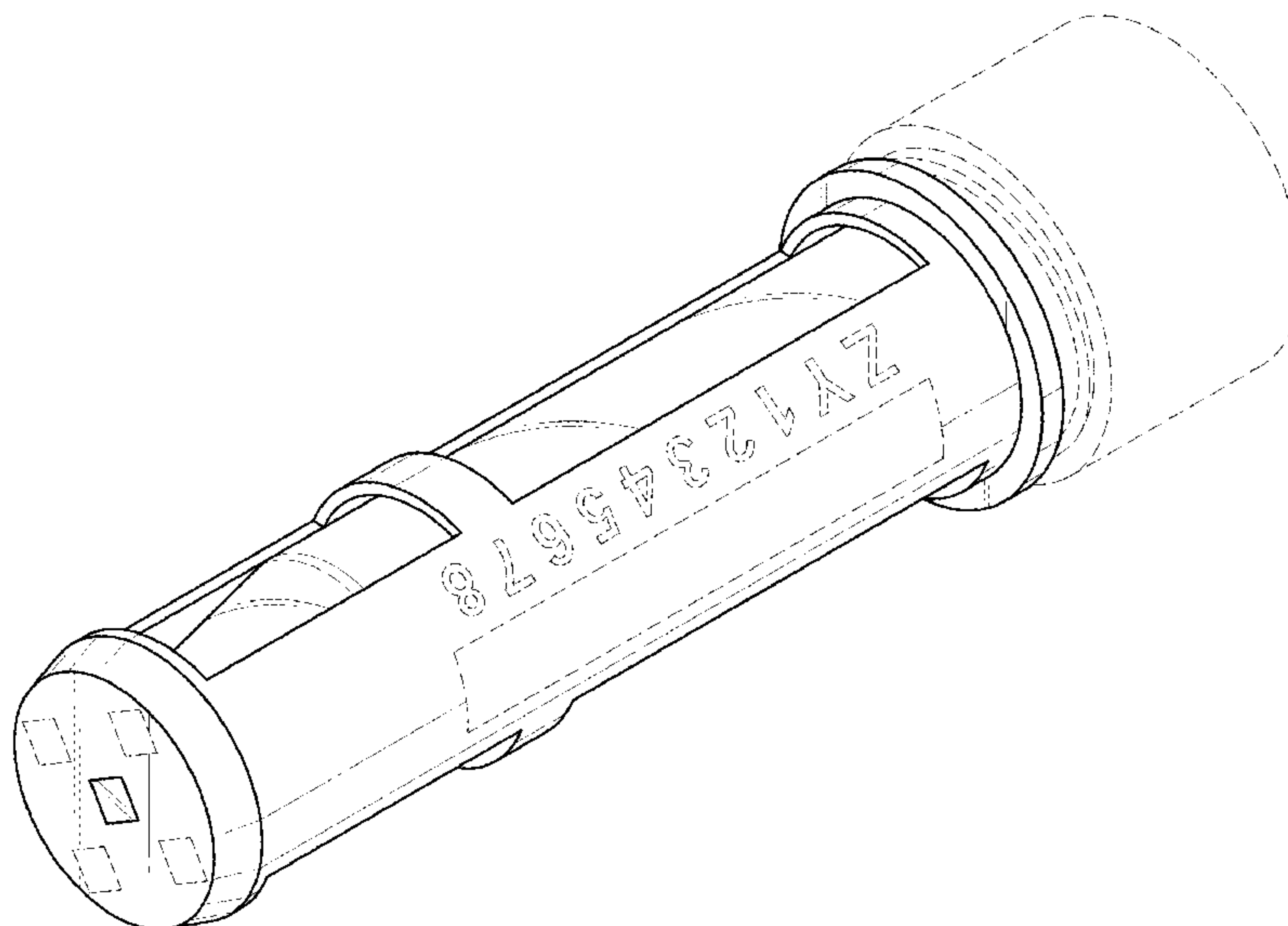
FIG. 1 is a perspective view of a sample storage tube. FIG. 2 is a front view of the sample storage tube depicted in FIG. 1, with the rear view being identical. FIG. 3 is a left side view of the sample storage tube depicted in FIG. 1, with the right side view being identical; and, FIG. 4 is a bottom view of the sample storage tube depicted in FIG. 1, with the top view not showing any claimed subject matter and therefore being omitted. The broken lines in the drawings depict portions of the sample storage tube that form no part of the claimed design.

(56) **References Cited**

U.S. PATENT DOCUMENTS

4,684,250 A 8/1987 Kukka et al.
5,738,670 A * 4/1998 Grippi A61B 5/150251
604/403
D425,625 S * 5/2000 Niermann D24/224
D454,201 S * 3/2002 Harrop D24/224
D631,169 S * 1/2011 Cheeley D24/224
9,314,790 B1 * 4/2016 Loskutoff C12M 33/10

1 Claim, 3 Drawing Sheets



(56)

References Cited

U.S. PATENT DOCUMENTS

D952,897 S * 5/2022 Decaluwé D24/224
 D962,466 S * 8/2022 Hunt D24/224
 D965,174 S * 9/2022 Jia D24/224
 2002/0064484 A1* 5/2002 Lin B01L 3/50825
 422/561
 2006/0215931 A1 9/2006 Shimomukai
 2011/0085951 A1 4/2011 Nakahana et al.
 2013/0153663 A1 6/2013 Yang et al.
 2014/0051156 A1 2/2014 Miyake et al.
 2014/0358036 A1 12/2014 Holmes
 2016/0223731 A1 8/2016 Free et al.
 2016/0278680 A1* 9/2016 Bauer A61B 5/150343
 2018/0100868 A1 4/2018 Grimwood et al.
 2018/0154359 A1* 6/2018 Ueyama G01N 35/0099
 2018/0185840 A1* 7/2018 Blake A61B 10/0045

FOREIGN PATENT DOCUMENTS

EP 0147124 A2 7/1985
 EP 2289625 A1 3/2011

JP 60-177245 A 9/1985
 JP 09-010605 A 1/1997
 JP 2001-158450 A 6/2001
 JP 2003-285841 A 10/2003
 JP 2007-192738 A 8/2007
 JP 2011-215078 A 10/2011
 JP 2014-059288 A 4/2014
 WO 2009/113694 A1 9/2009
 WO 2015/108807 7/2015

OTHER PUBLICATIONS

International Search Report and Written Opinion, dated May 24,
 2016, International Patent Application No. PCT/JP2016/057991
 with English translation of Search Report (10 pages).

* cited by examiner

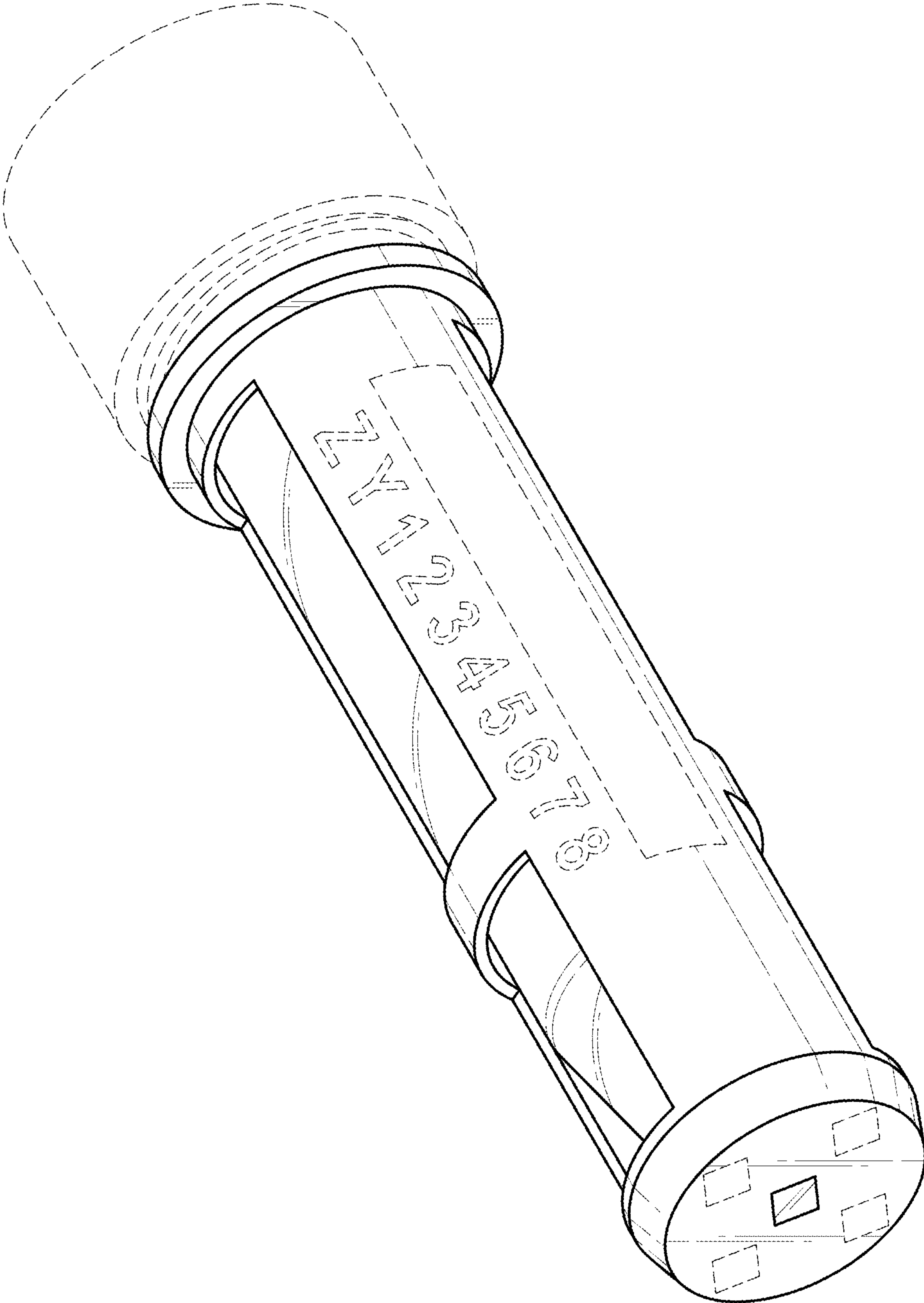


Fig. 1

Fig. 2

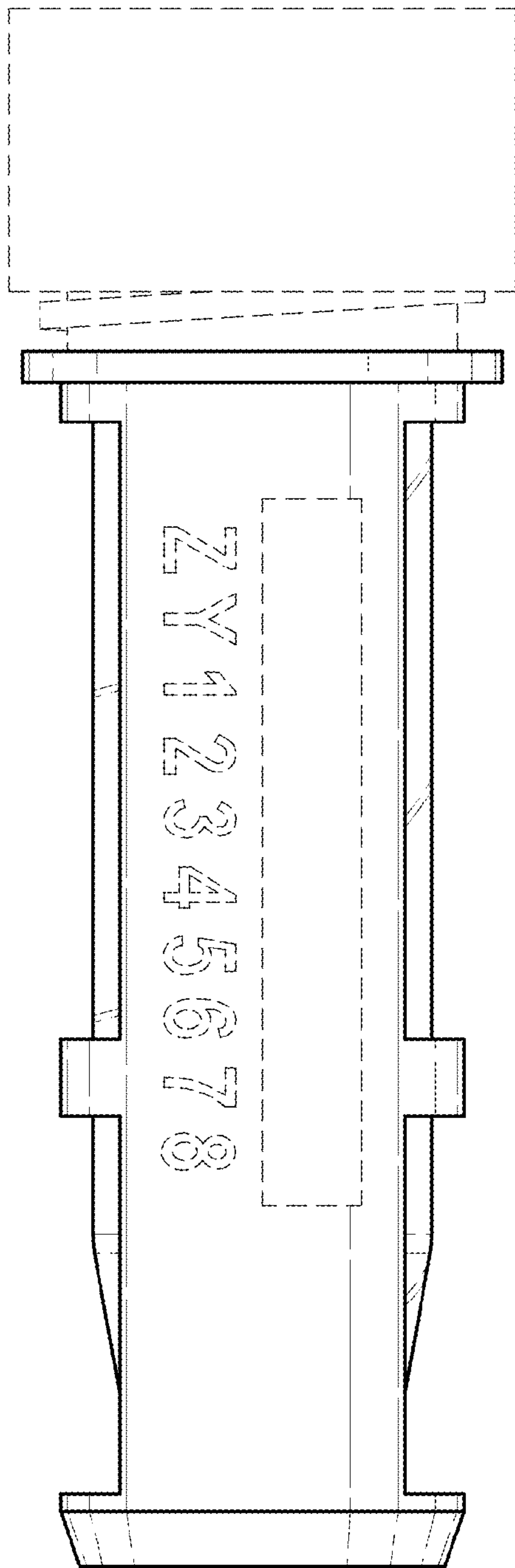


Fig. 3

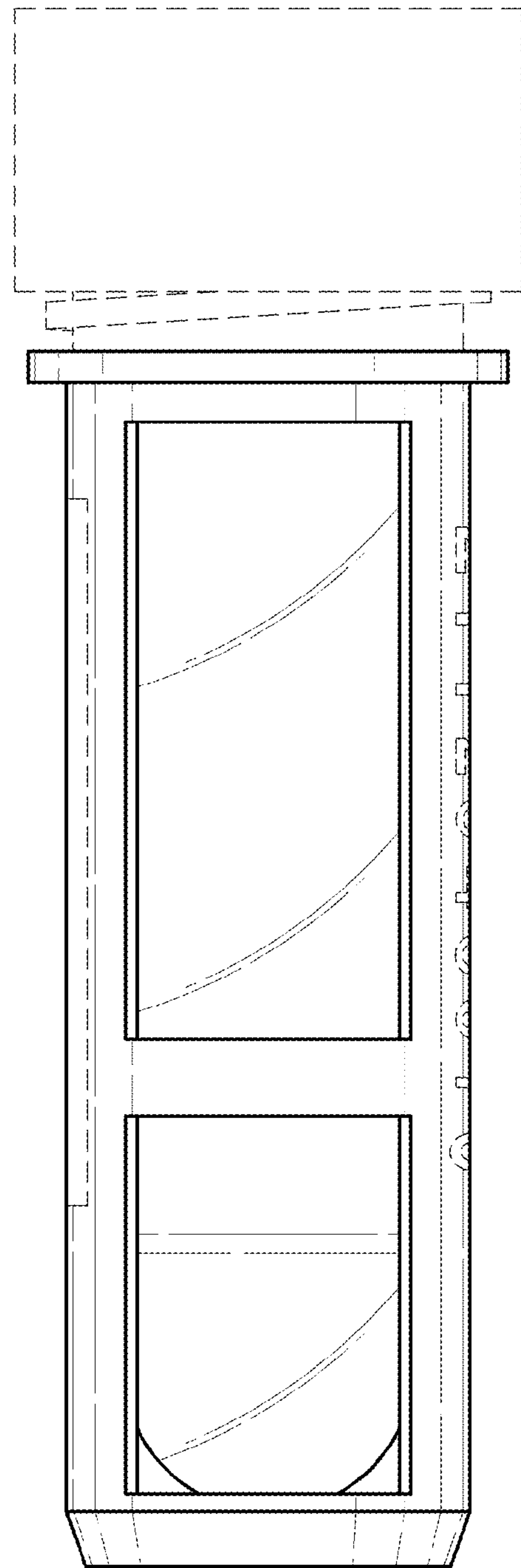


Fig. 4

