



US00D980449S

(12) **United States Design Patent**
Fang et al.

(10) **Patent No.:** **US D980,449 S**
(45) **Date of Patent:** **** Mar. 7, 2023**

(54) **DRUG TEST STRIP**

(71) Applicant: **Zhejiang Orient Gene Biotech Co., Ltd.**, Zhejiang (CN)

(72) Inventors: **Shaohua Fang**, Zhejiang (CN); **Gang Li**, Zhejiang (CN); **Jianqiu Fang**, Zhejiang (CN); **Hongjiang Yu**, Zhejiang (CN); **Qingbo Kong**, Zhejiang (CN); **Chuncheng Wang**, Zhejiang (CN); **Weizhong Huang**, Zhejiang (CN)

(73) Assignee: **ZHEJIANG ORIENT GENE BIOTECH CO., LTD.**, Huzhou (CN)

(**) Term: **15 Years**

(21) Appl. No.: **29/775,070**

(22) Filed: **Mar. 21, 2021**

(30) **Foreign Application Priority Data**

Feb. 26, 2021 (CN) 202130109603.6

(51) **LOC (14) Cl.** **24-02**

(52) **U.S. Cl.**
USPC **D24/223**

(58) **Field of Classification Search**
USPC D24/107, 121–123, 216, 217, 219, D24/223–227, 229–232; D10/81; D9/523, 547, 549, 550, 724, 732
CPC B01J 2220/64; B01L 3/14; B01L 3/021–0237; B01L 3/508–50825; B01L 3/52–523; B01L 3/502; G01F 11/02; G01N 21/6428; G01N 33/50; G01N 33/49; G01N 33/6854

See application file for complete search history.

(56) **References Cited**

U.S. PATENT DOCUMENTS

D432,244 S * 10/2000 Anderson D24/223
D655,424 S * 3/2012 Castanon D24/225

D660,977 S * 5/2012 Wagner D24/223
D676,570 S * 2/2013 Chance D24/223
D772,428 S * 11/2016 Fumito D24/225
D855,825 S * 8/2019 Parsons D24/223
D895,140 S * 9/2020 Heron D24/225
D954,982 S * 6/2022 Ye D24/223
D959,015 S * 7/2022 Fang D24/223
2007/0092401 A1 * 4/2007 Liao B01L 3/5023
422/68.1
2018/0356393 A1 * 12/2018 Piasio G01N 27/3272

OTHER PUBLICATIONS

Third round of free at-home COVID-19 tests now available. Online, published date May 17, 2022. Retrieved on Jul. 31, 2022 from URL: <https://www.wptv.com/coronavirus/third-round-of-free-at-home-covid-19-tests-now-available>.*

* cited by examiner

Primary Examiner — Omeed Agilee

(74) *Attorney, Agent, or Firm* — NZ Carr Law Office

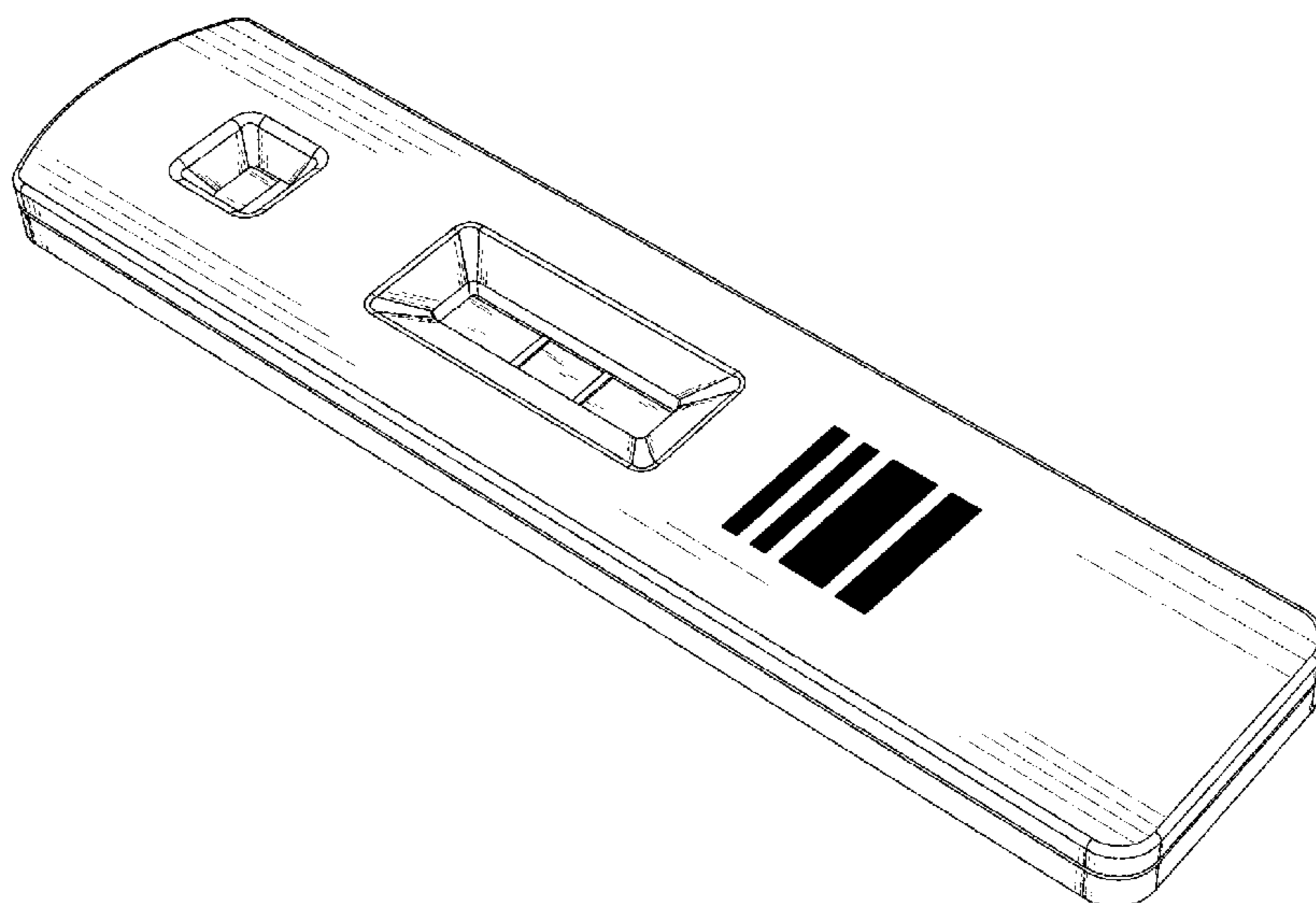
(57) **CLAIM**

We claim the ornamental design for a drug test strip, as shown and described.

DESCRIPTION

FIG. 1 is a top view of a drug test strip showing our design; FIG. 2 is a bottom view thereof; FIG. 3 is a left side view thereof; FIG. 4 is a right side view thereof; FIG. 5 is a front view thereof; FIG. 6 is a back view thereof; FIG. 7 is a top perspective view thereof; and, FIG. 8 is a bottom perspective view thereof.

1 Claim, 8 Drawing Sheets



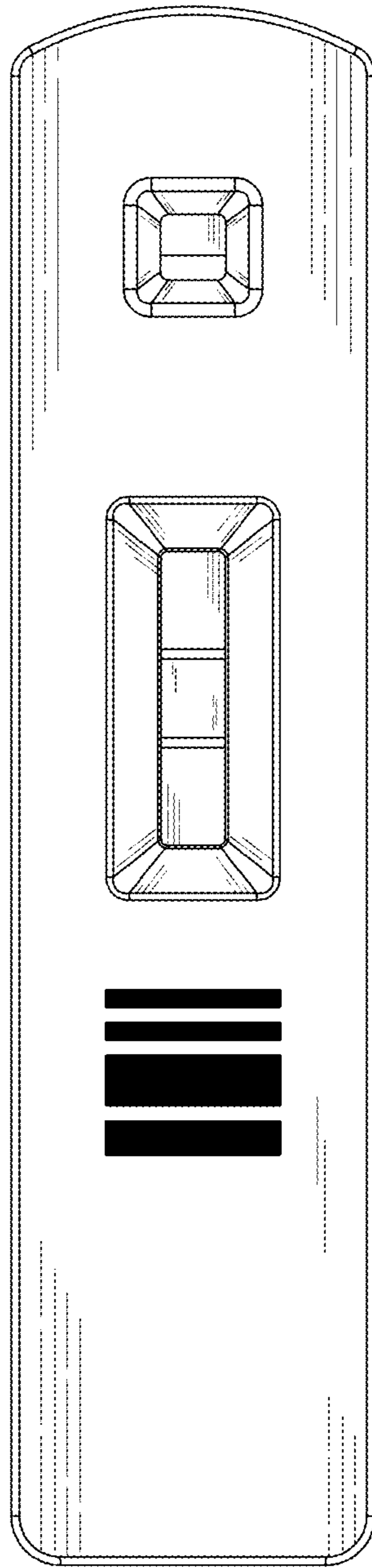


FIG. 1

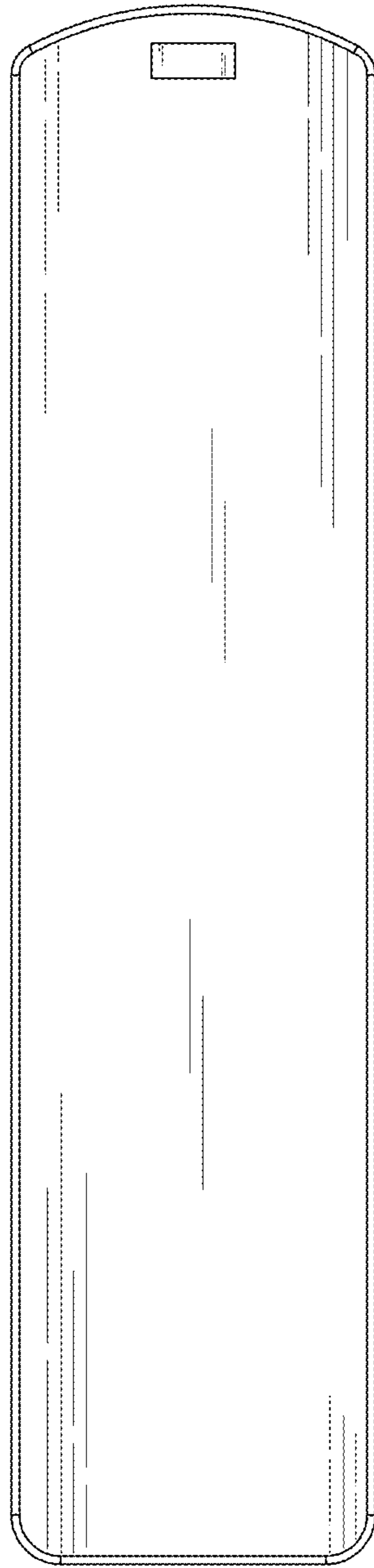


FIG. 2

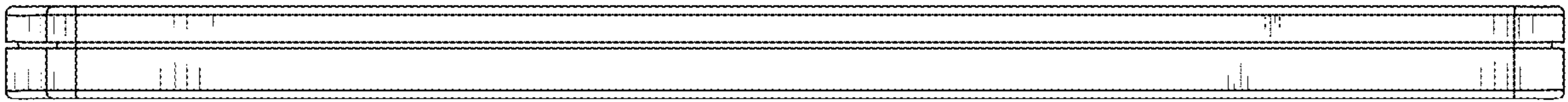


FIG. 3

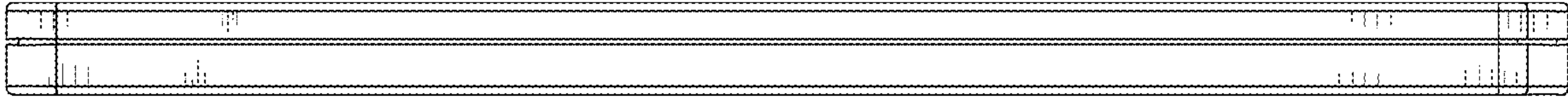


FIG. 4

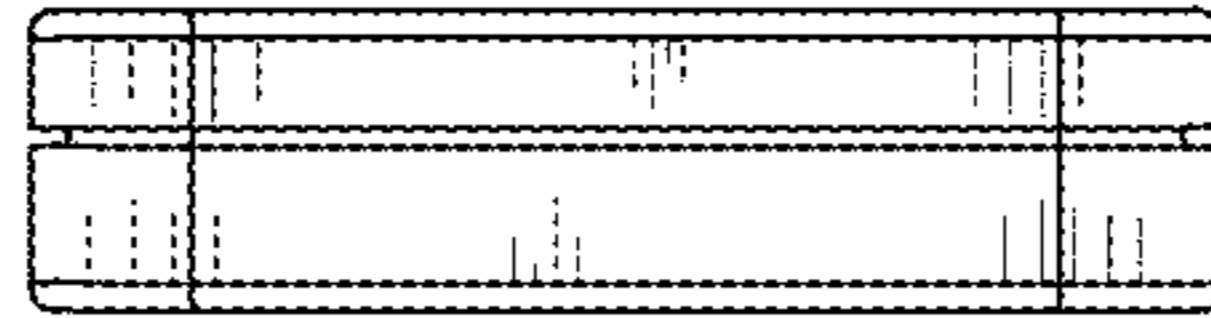


FIG. 5

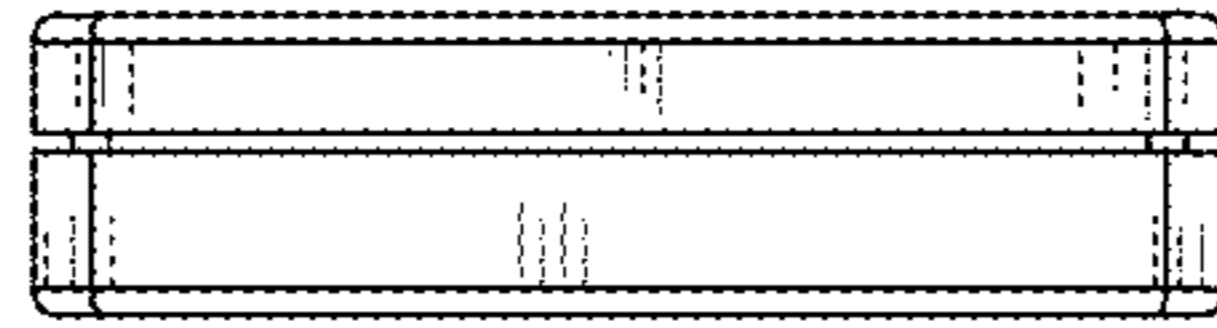


FIG. 6

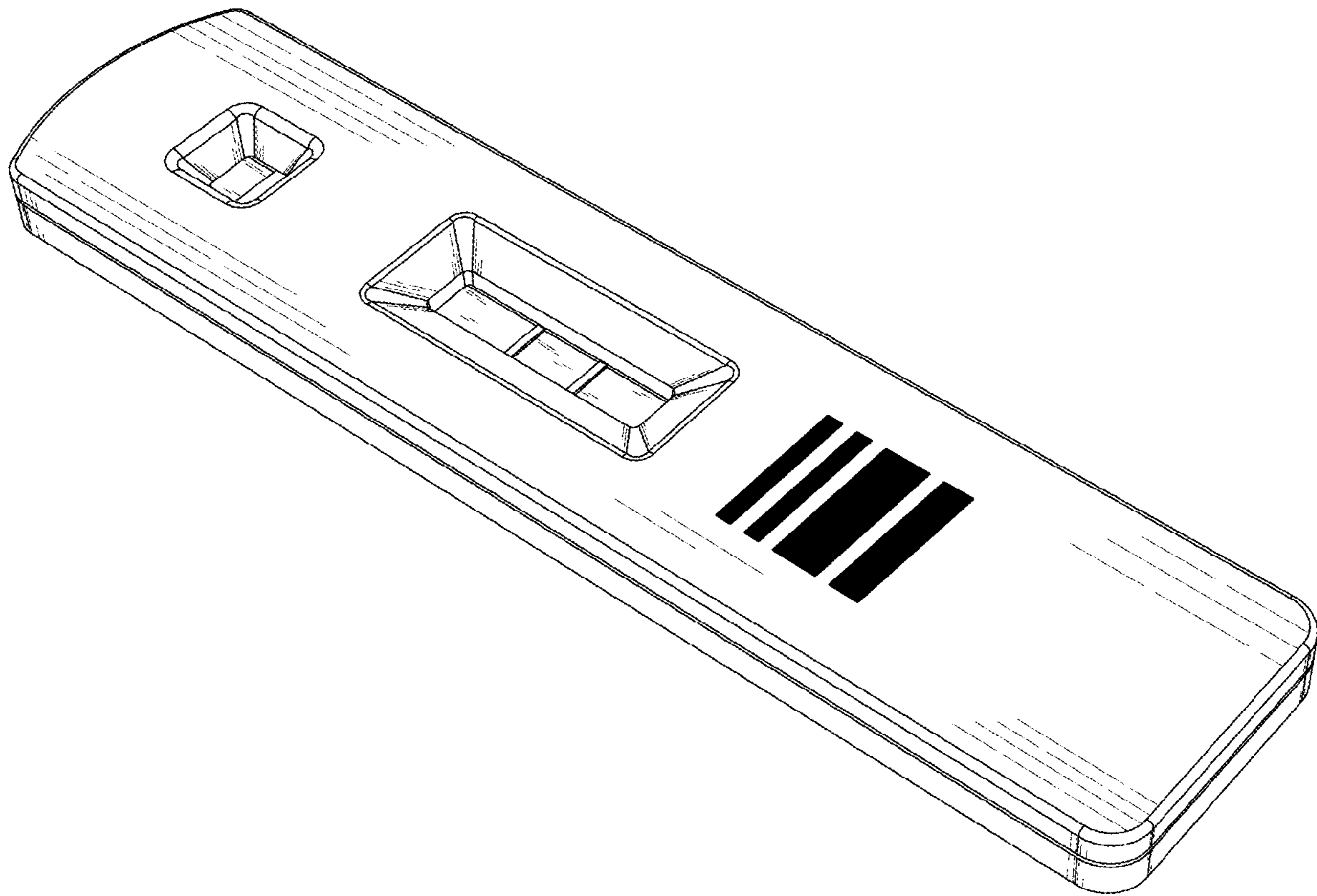


FIG. 7

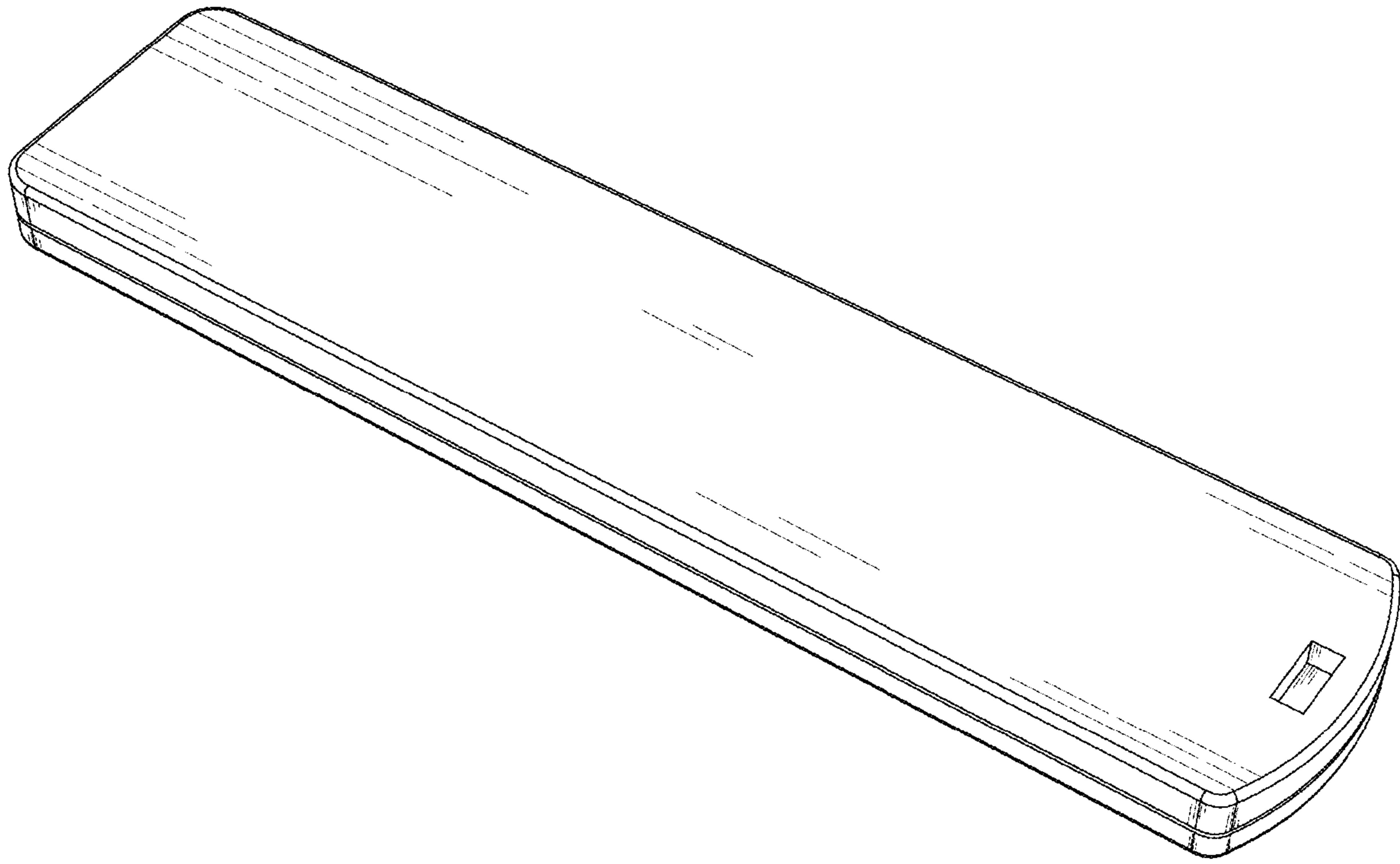


FIG. 8