



US00D980448S

(12) **United States Design Patent**  
**Senda**

(10) **Patent No.:** **US D980,448 S**  
(45) **Date of Patent:** **\*\* Mar. 7, 2023**

(54) **STOOL COLLECTION TOOL**  
(71) Applicant: **FUJIFILM Corporation**, Tokyo (JP)  
(72) Inventor: **Yutaka Senda**, Ashigarakami-gun (JP)  
(73) Assignee: **FUJIFILM Corporation**, Tokyo  
(\*\*) Term: **15 Years**

(21) Appl. No.: **29/777,450**  
(22) Filed: **Apr. 6, 2021**

(30) **Foreign Application Priority Data**  
Oct. 16, 2020 (JP) ..... 2020-022376 D  
(51) **LOC (14) Cl.** ..... **24-01**  
(52) **U.S. Cl.**  
USPC ..... **D24/216**  
(58) **Field of Classification Search**  
USPC ..... D24/107, 186, 216, 232, 233, 234, 121,  
D24/122, 223, 224, 225, 227, 231, 119,  
D24/133; D10/81  
CPC ..... B01L 3/5023; B01L 3/523; B01L 3/565;  
B01L 2300/0809; B01L 3/50229; A61B  
10/0038; A61B 10/0216; G01N 2001/028  
See application file for complete search history.

(56) **References Cited**  
U.S. PATENT DOCUMENTS  
D336,955 S \* 6/1993 Hadaway ..... D24/119  
D426,313 S \* 6/2000 Woolston ..... D24/223  
D560,281 S \* 1/2008 Kozak ..... D24/216  
10,898,169 B1 \* 1/2021 Johnson ..... B01L 3/5029

D958,398 S \* 7/2022 O'Leary ..... D24/216  
2008/0034899 A1 \* 2/2008 Kikuri ..... B01L 3/5029  
73/864.51  
2010/0215548 A1 \* 8/2010 De Luca ..... A61B 10/0038  
422/550  
2018/0235582 A1 \* 8/2018 Dai ..... A61B 10/0038  
2020/0056965 A1 \* 2/2020 Gao ..... A61B 10/0038  
2020/0206732 A1 \* 7/2020 Henrick ..... B01L 3/5029

\* cited by examiner

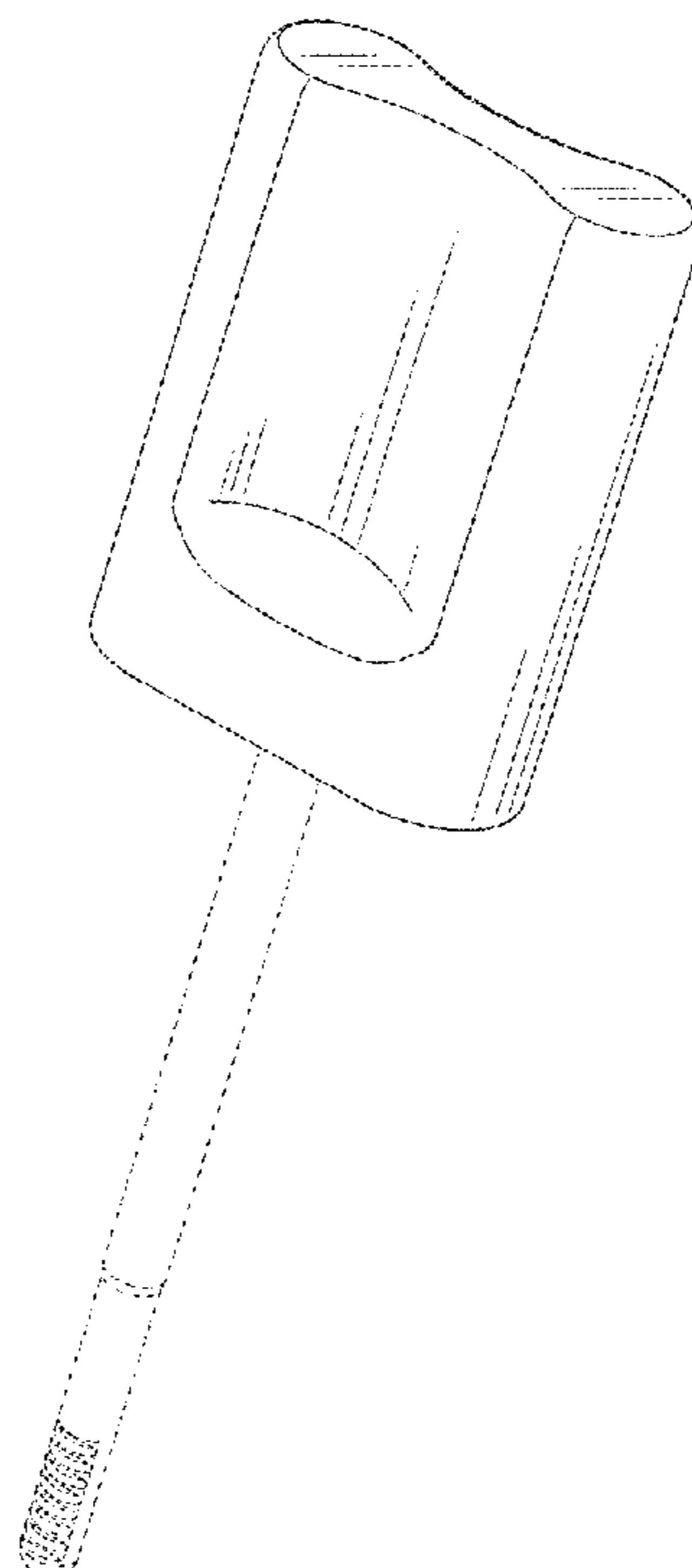
*Primary Examiner* — Anhdao Doan  
(74) *Attorney, Agent, or Firm* — Sughrue Mion, PLLC

(57) **CLAIM**  
The ornamental design for a stool collection tool, as shown and described.

**DESCRIPTION**

FIG. 1 is a perspective view of a stool collection tool, showing the new design;  
FIG. 2 is a front view thereof;  
FIG. 3 is a rear view thereof;  
FIG. 4 is a right side view thereof;  
FIG. 5 is a left side view thereof;  
FIG. 6 is a top view thereof;  
FIG. 7 is a bottom view thereof;  
FIG. 8 is a line cross section view, along 8-8 in FIG. 2, thereof; and,  
FIG. 9 is a reference view showing the state in which the stool collection stick is housed in the container thereof.  
The broken lines depicting the stool collection container represent environmental structure and form no part of the claimed design, while the broken lines depicting the stool collection stick illustrate portions of the stool collection tool that form no part of the claimed design.

**1 Claim, 9 Drawing Sheets**



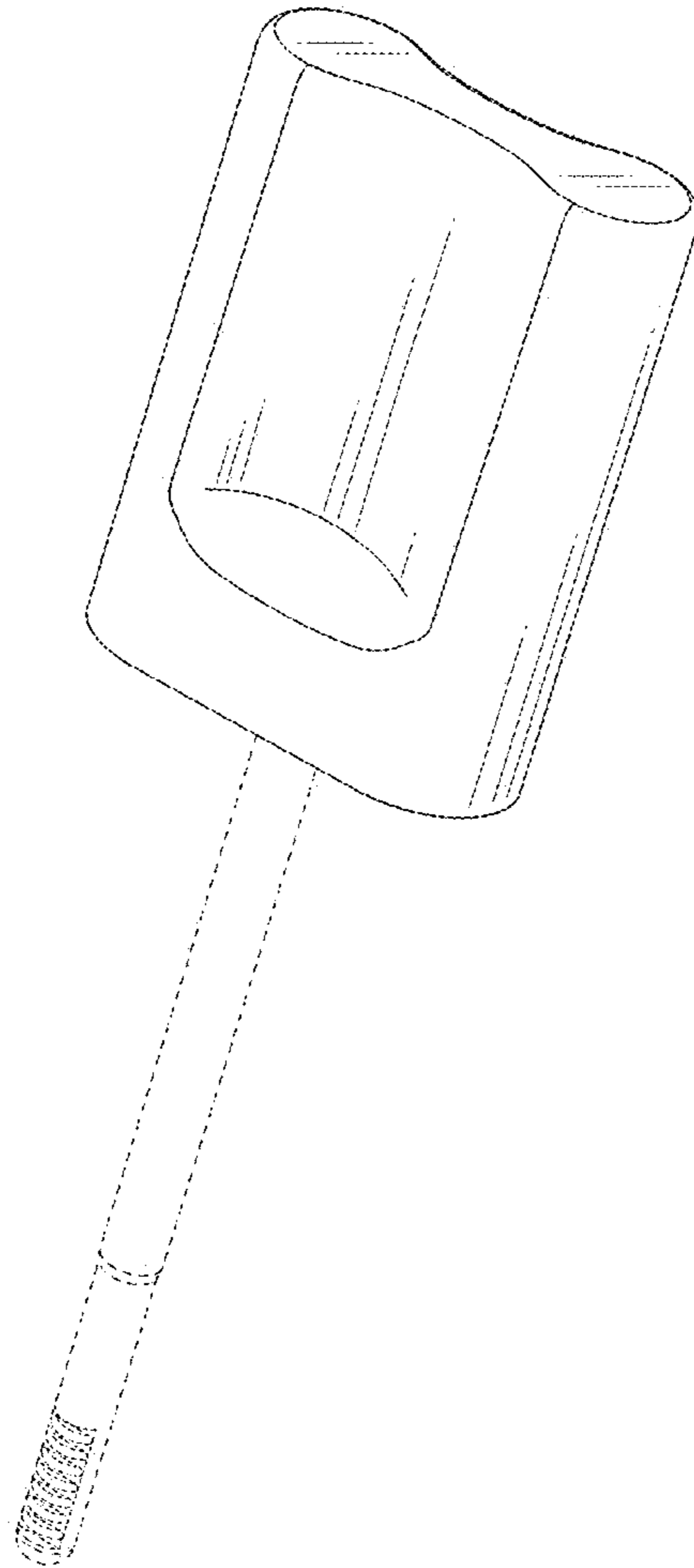


FIG. 1

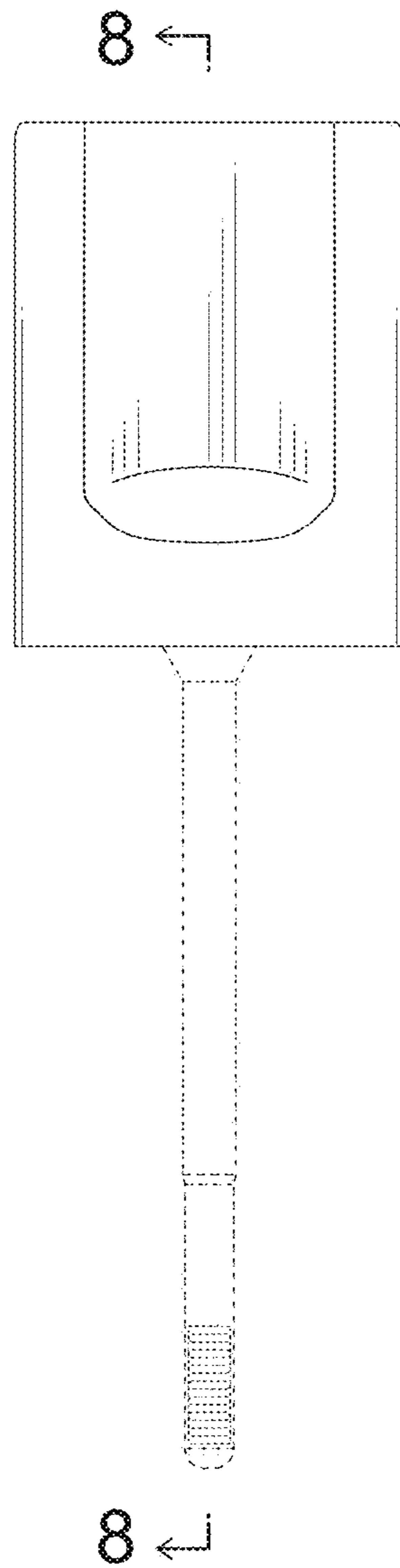


FIG. 2

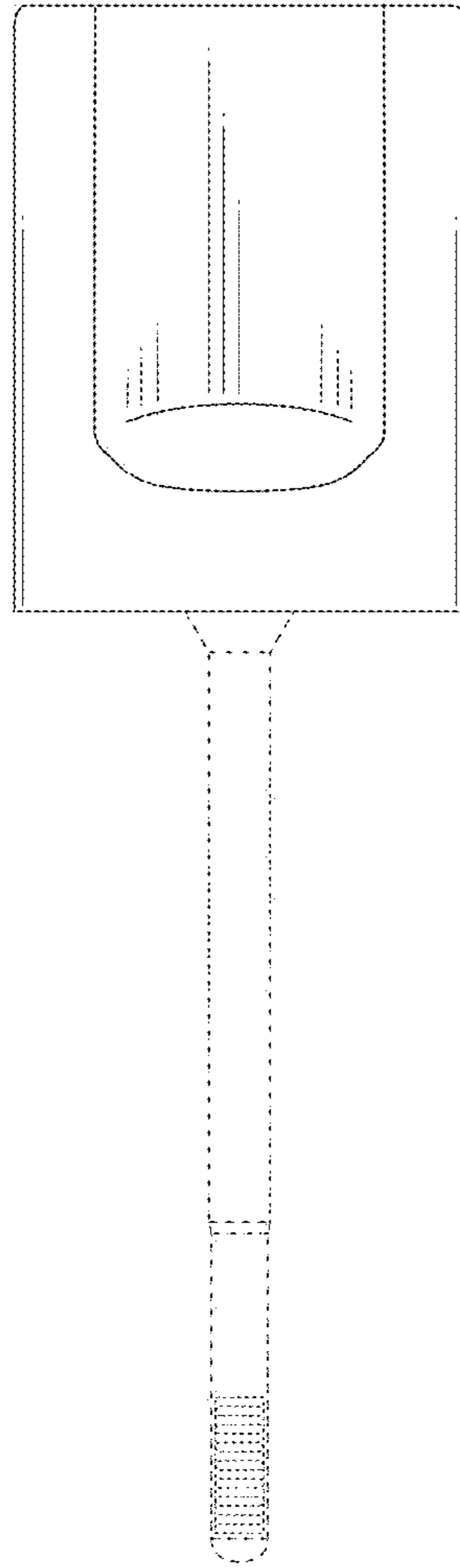


FIG. 3

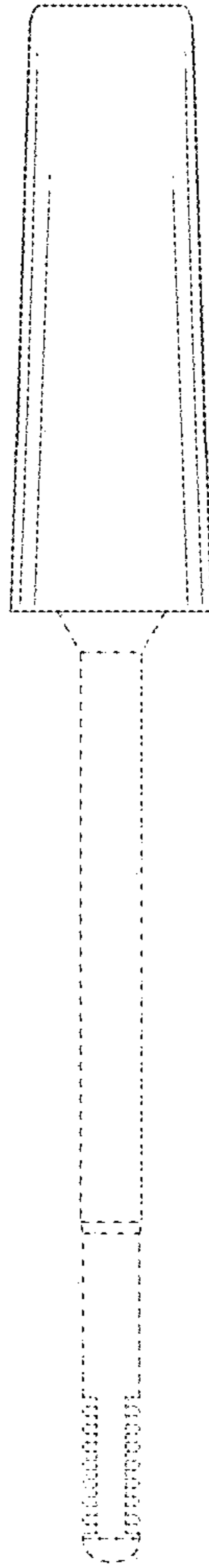


FIG. 4

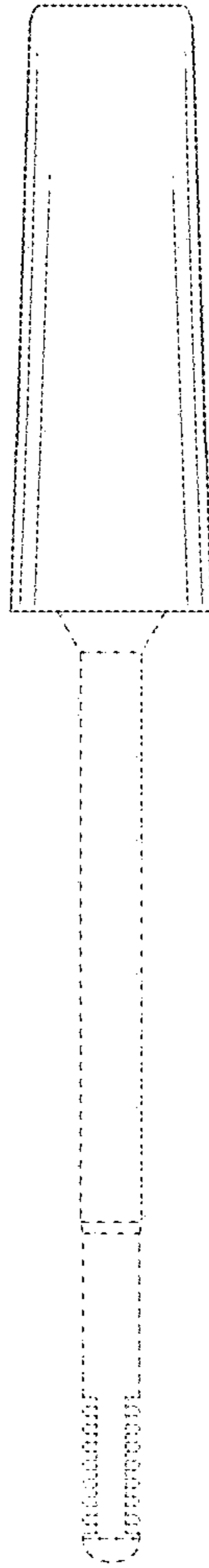


FIG. 5

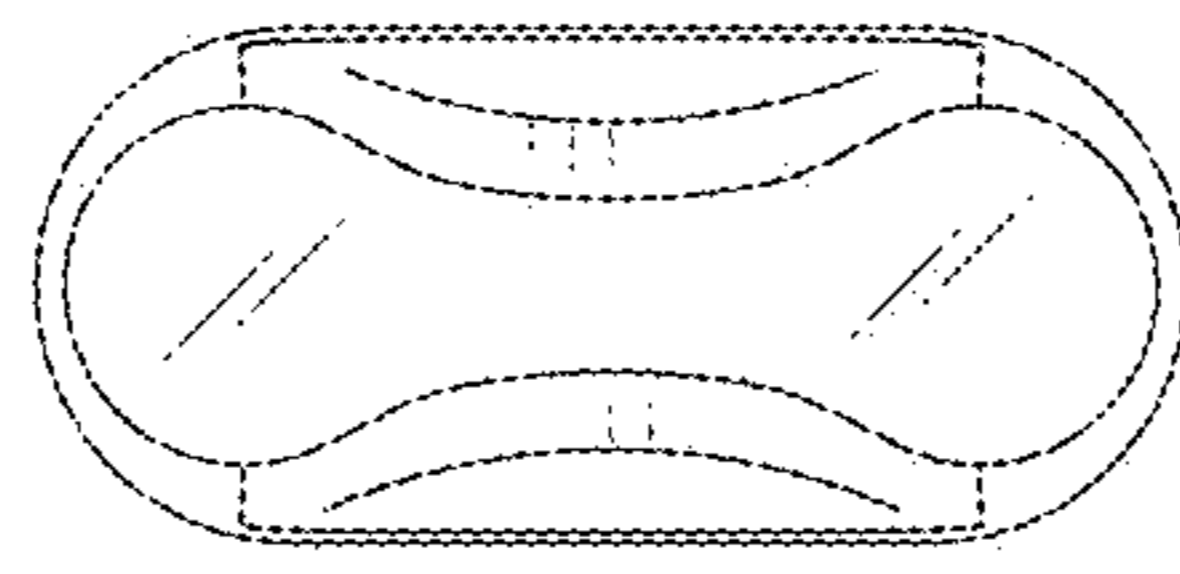


FIG. 6

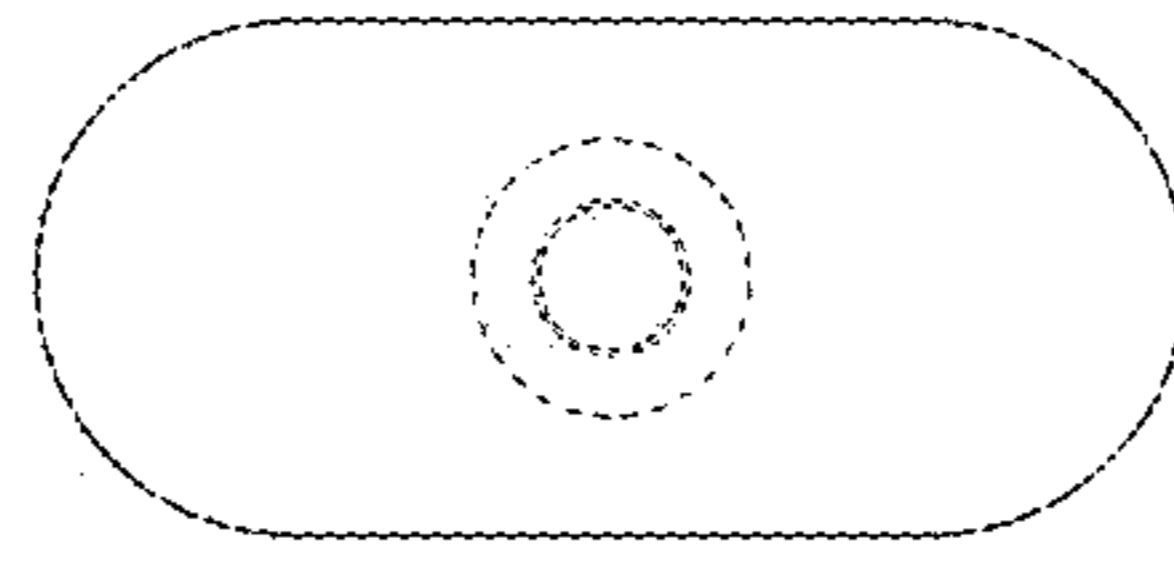


FIG. 7



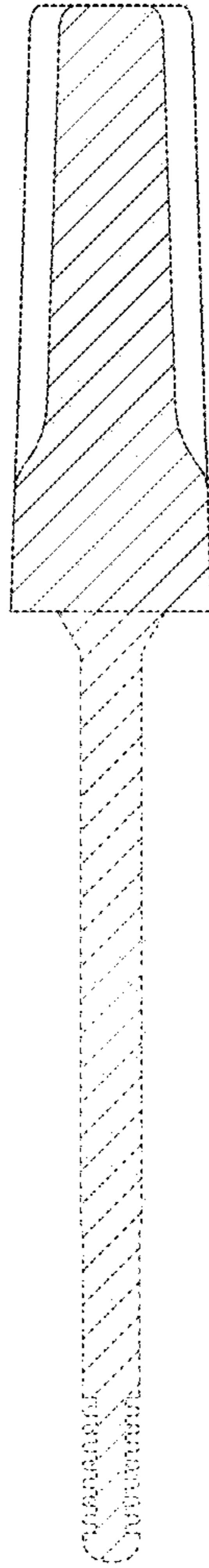


FIG. 8

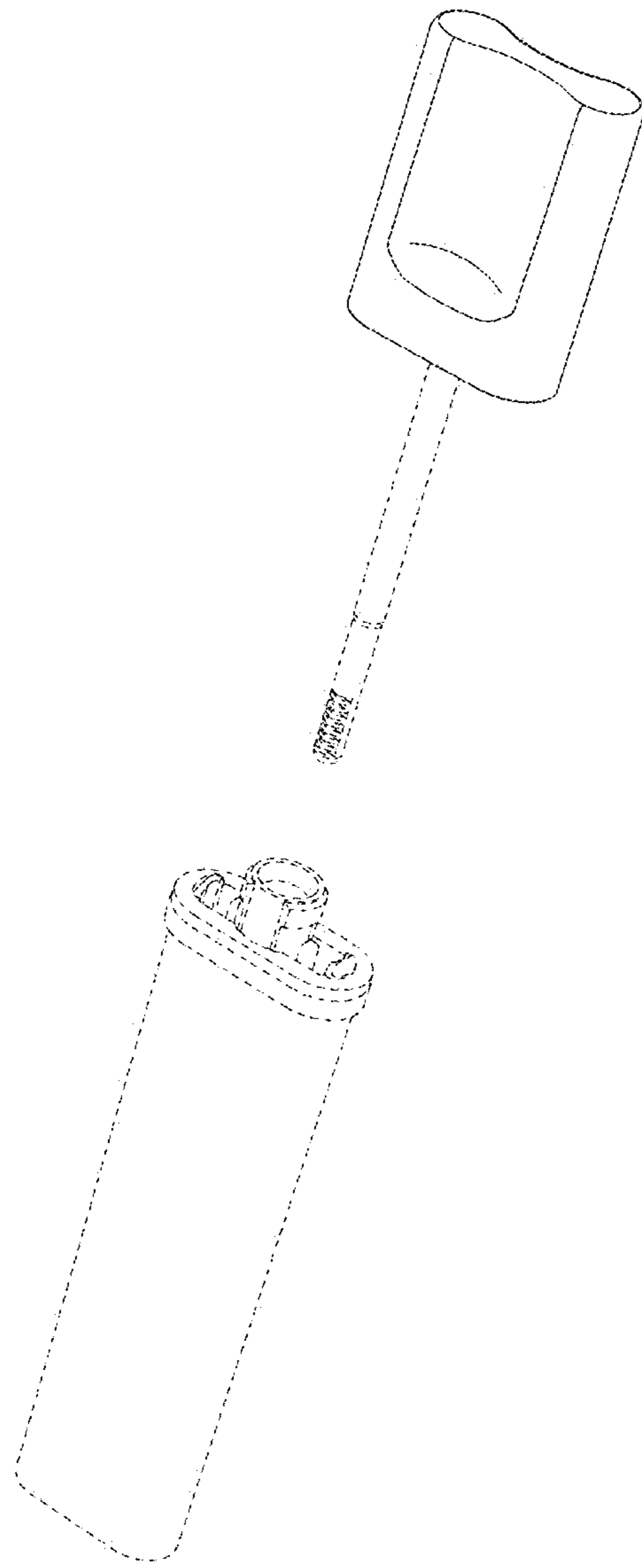


FIG. 9