



US00D980447S

(12) **United States Design Patent**  
**Lin**

(10) **Patent No.:** **US D980,447 S**  
(45) **Date of Patent:** **\*\* Mar. 7, 2023**

(54) **MASTURBATOR**

(71) Applicant: **SHENZHEN HONGSHENG NETWORK TECHNOLOGY CO., LTD.**, Shenzhen (CN)

(72) Inventor: **Chuwen Lin**, Zhanjiang (CN)

(73) Assignee: **SHENZHEN HONGSHENG NETWORK TECHNOLOGY CO., LTD.**, Shenzhen (CN)

(\*\*) Term: **15 Years**

(21) Appl. No.: **29/840,968**

(22) Filed: **Jun. 2, 2022**

(51) **LOC (14) Cl.** ..... **28-03**

(52) **U.S. Cl.**  
USPC ..... **D24/215**

(58) **Field of Classification Search**  
USPC ..... D24/215, 200, 211, 212, 213, 214, 133, D24/107, 231, 184, 121; D26/37, 45  
CPC ..... A61H 19/00; A61H 19/30; A61H 19/32; A61H 19/34; A61H 19/40; A61H 19/44; A61H 19/50; A61H 23/00; A61H 2205/087

See application file for complete search history.

(56) **References Cited**

**U.S. PATENT DOCUMENTS**

D566,309 S *	4/2008	Kornfeld	.....	D26/37
D567,415 S *	4/2008	Shiu	.....	D26/37
D738,523 S	9/2015	Tong		
D880,713 S *	4/2020	Sedic	.....	D24/215
D882,106 S *	4/2020	Qiu	.....	D24/215
D893,040 S *	8/2020	Qiu	.....	D24/215
D897,551 S *	9/2020	Nasta	.....	D24/211
D919,829 S	5/2021	Busnel		

D930,847 S *	9/2021	Endo	.....	D24/215
D932,645 S *	10/2021	Wu	.....	D24/215
D959,010 S *	7/2022	Li	.....	D24/215
2017/0071818 A1 *	3/2017	Chen	.....	A61H 19/32
2018/0092798 A1 *	4/2018	Shao	.....	A61H 19/32
2021/0038471 A1 *	2/2021	Johnson	.....	A61H 19/44
2021/0196560 A1 *	7/2021	Liu	.....	A61H 19/32

**OTHER PUBLICATIONS**

Tenga—Flip Hole Black Male Masturbator. Date: Nov. 17, 2011. [online]. [Site visited Sep. 27, 2022]. Available from Internet URL: <https://www.amazon.co.uk/dp/B002L16IRA/?th=1> (Year: 2011).  
Massagers. (Design—© Questel) orbit.com. [Online PDF compilation of references] 34 pgs. Print Dates Range Apr. 19, 2022—Enter Date [Retrieved Sep. 28, 2022] <https://www.orbit.com/export/UCZAH96B/pdf4/52287f9c-5b7e-4c58-833e-8c8e5f96e468-202632.pdf> (Year: 2022).\*

\* cited by examiner

*Primary Examiner* — Eliza Z Harvey  
*Assistant Examiner* — Landon Thomas Cassell

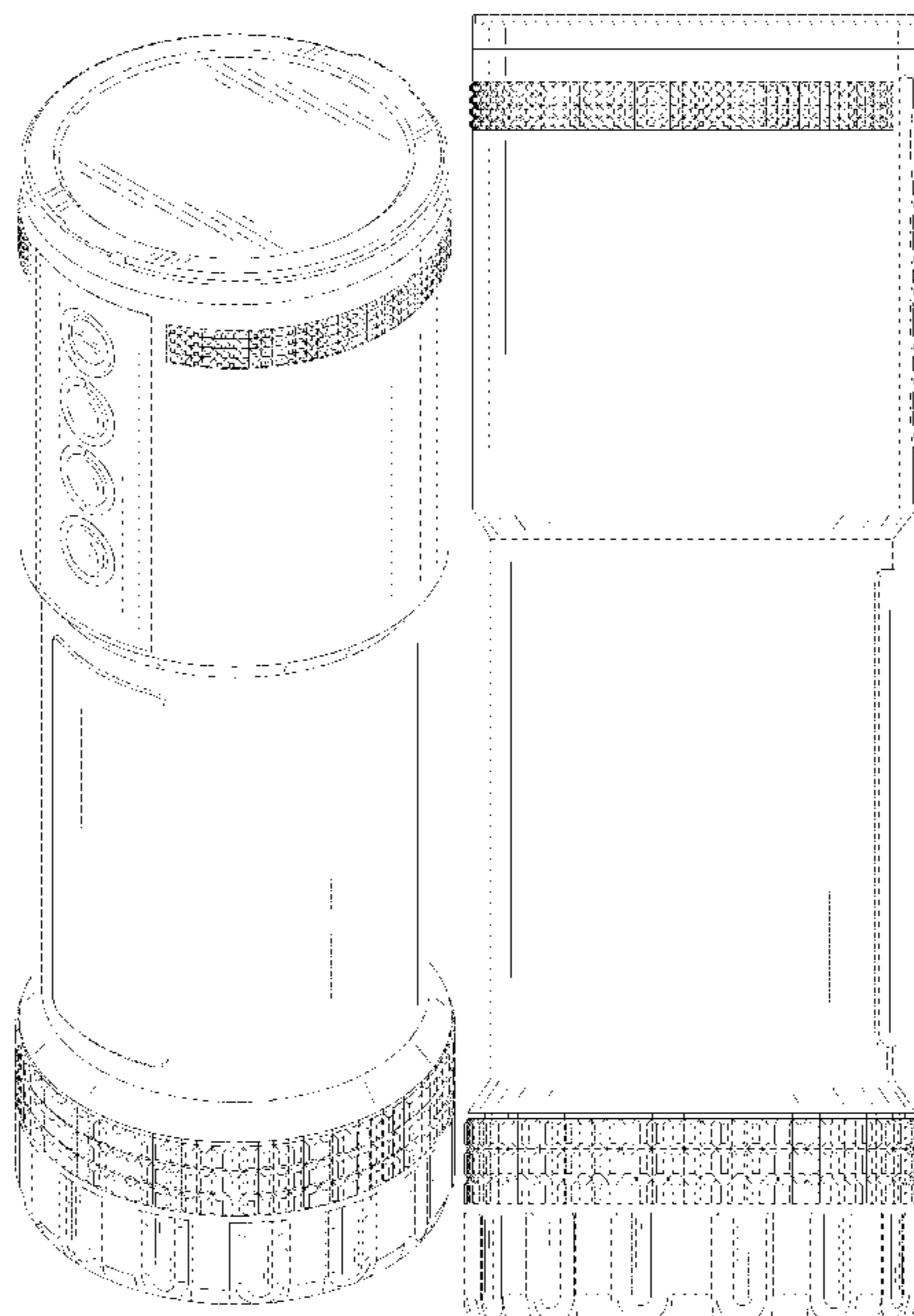
(57) **CLAIM**

The ornamental design for a masturbator, as shown and described.

**DESCRIPTION**

FIG. 1 is a perspective view of a masturbator showing my new design;  
FIG. 2 is another perspective view thereof;  
FIG. 3 is a front elevational view thereof;  
FIG. 4 is a rear elevational view thereof;  
FIG. 5 is a left side elevational view thereof;  
FIG. 6 is a right side elevational view thereof;  
FIG. 7 is a top plan view thereof; and,  
FIG. 8 is a bottom plan view thereof.

**1 Claim, 8 Drawing Sheets**



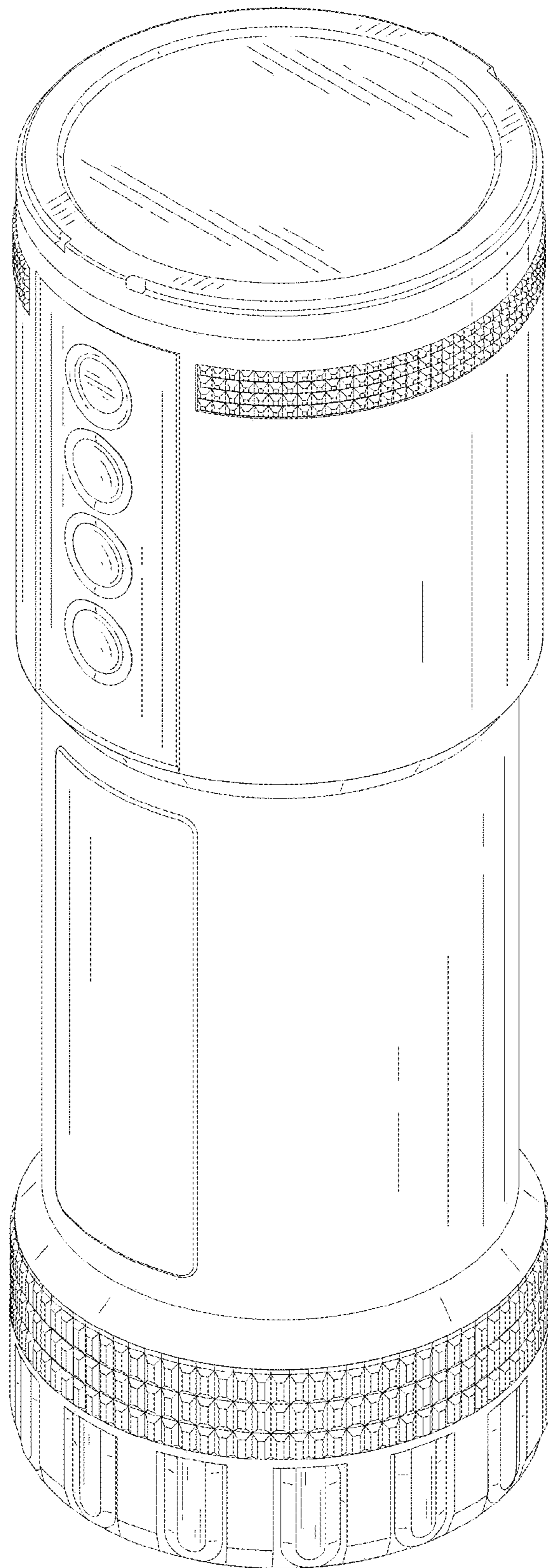


FIG. 1

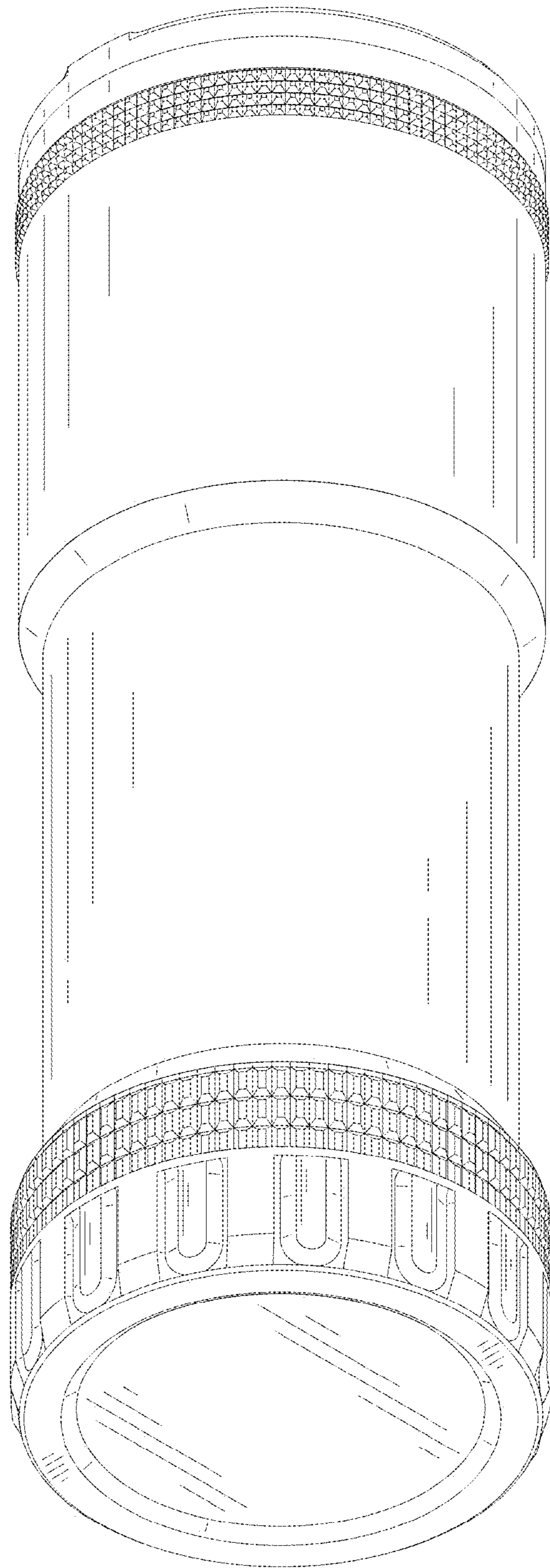


FIG. 2



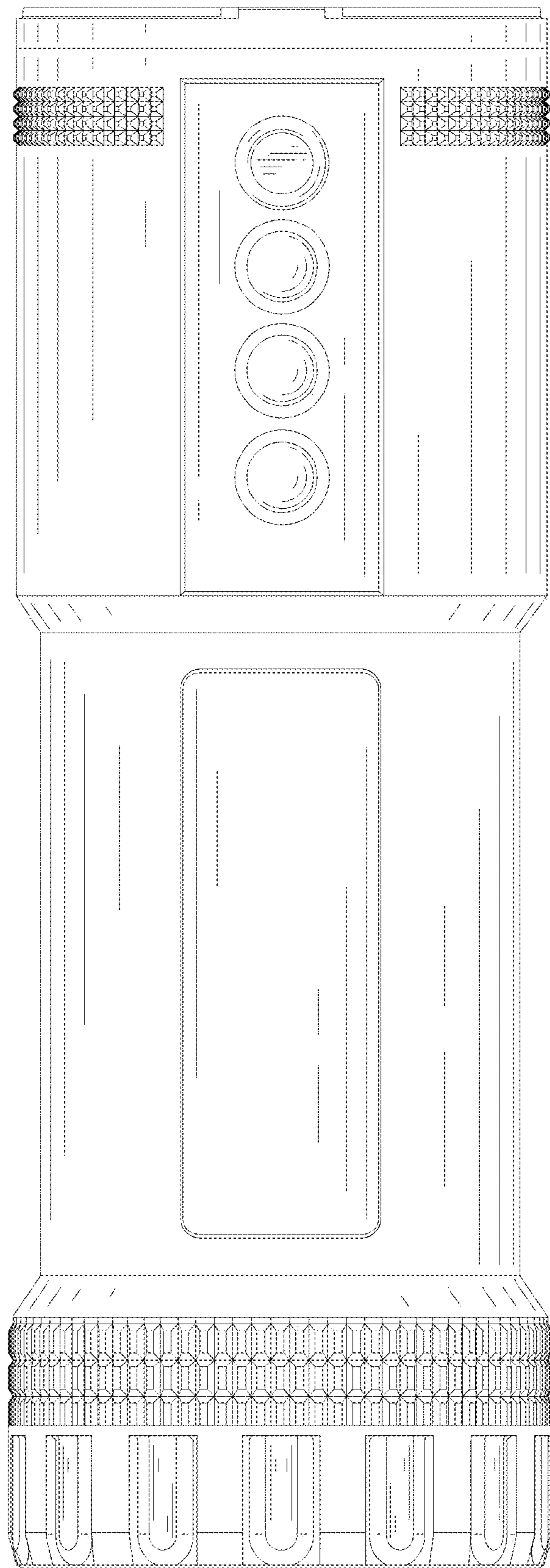


FIG. 3

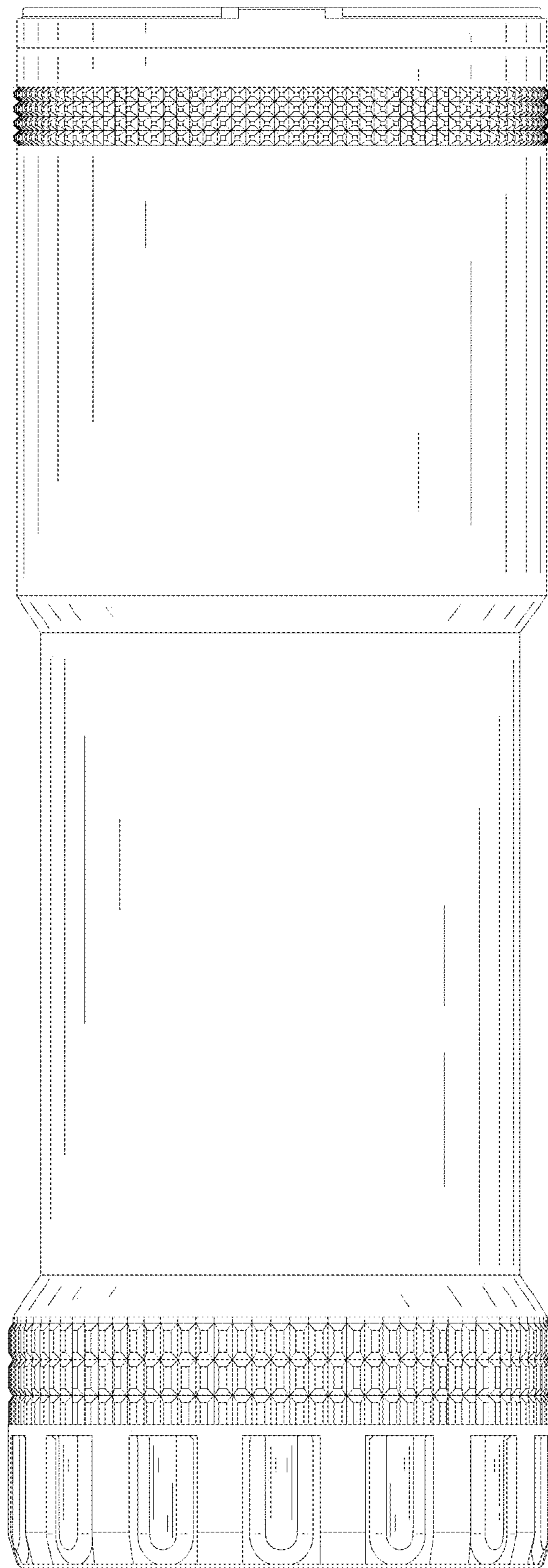


FIG. 4

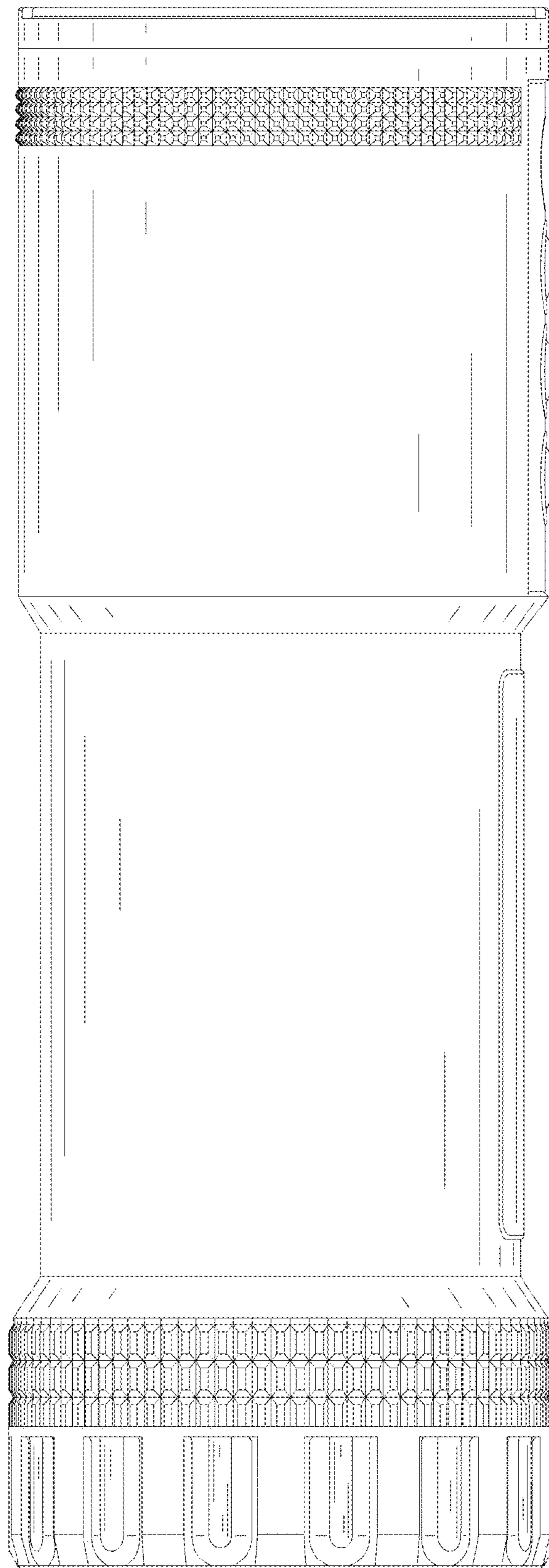


FIG. 5

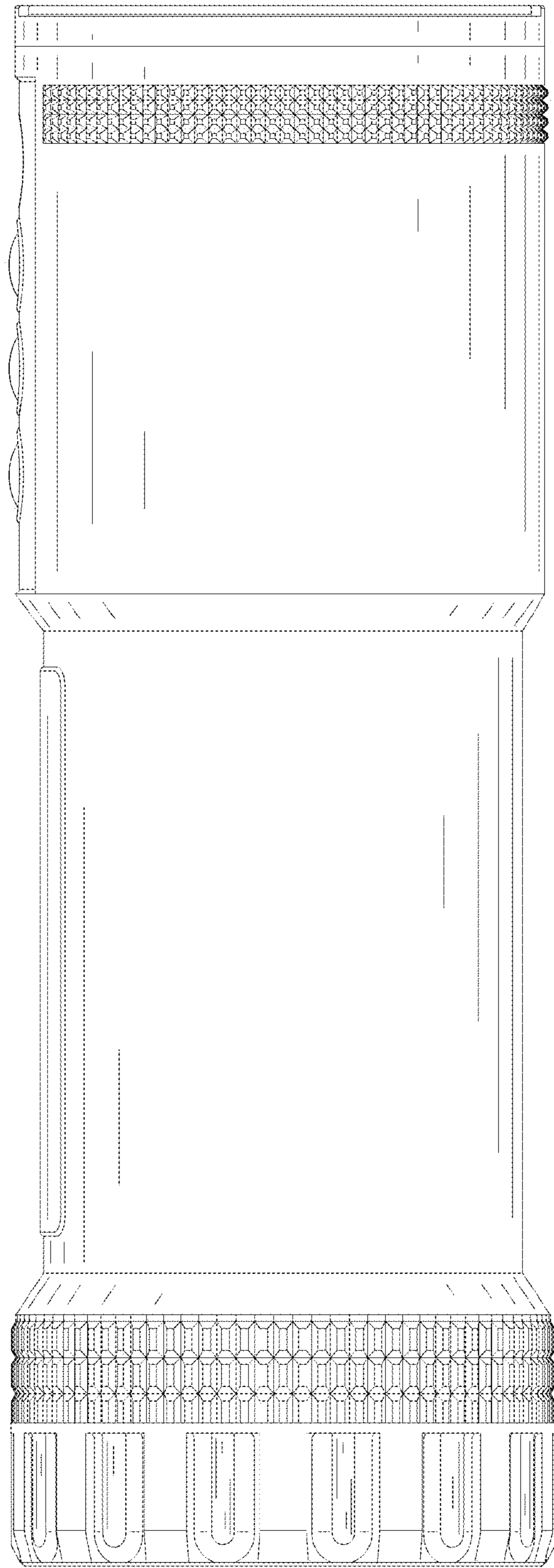


FIG. 6

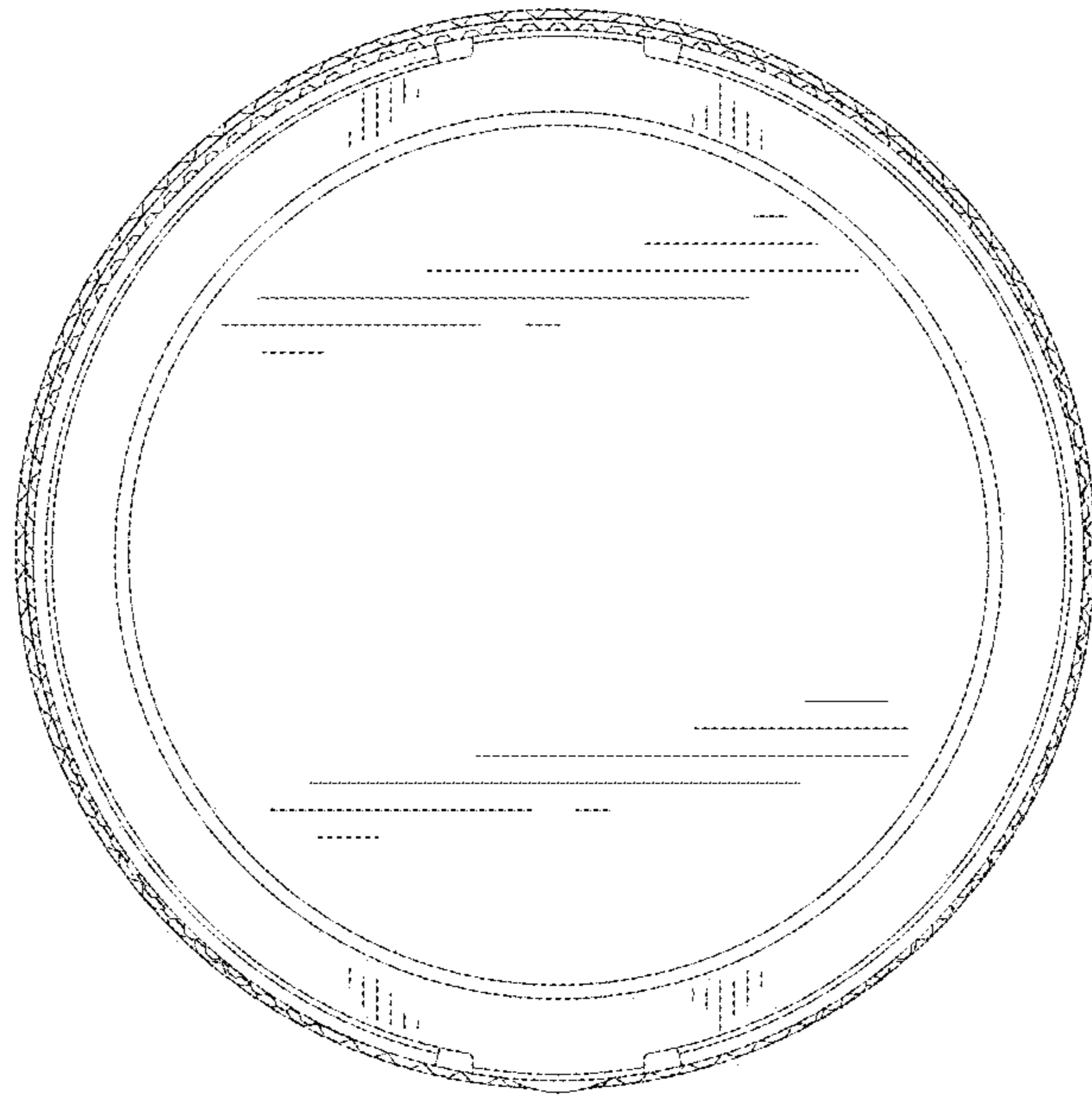


FIG. 7



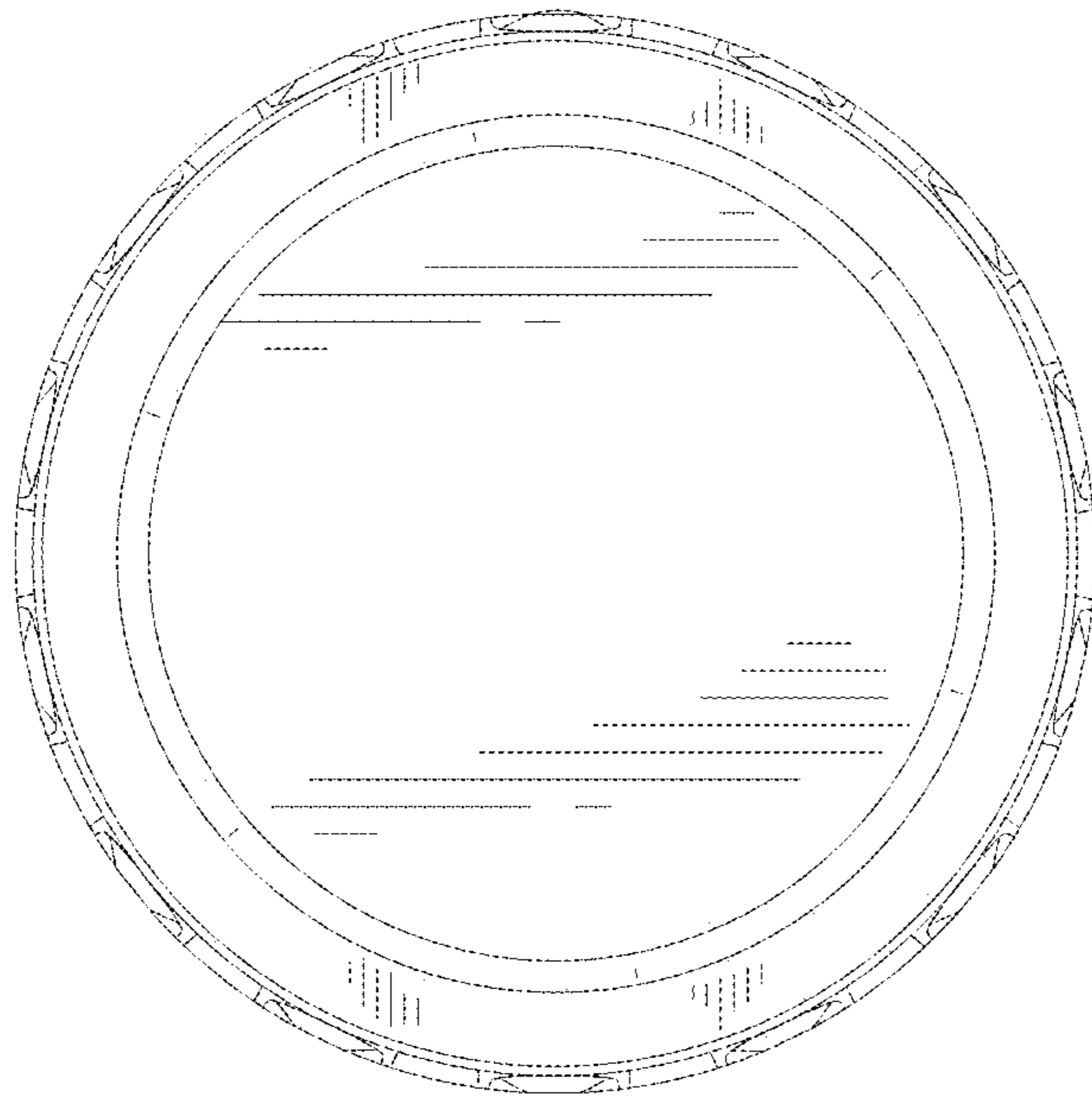


FIG. 8