



US00D980446S

(12) **United States Design Patent** (10) **Patent No.:** **US D980,446 S**
Siu et al. (45) **Date of Patent:** **** Mar. 7, 2023**

(54) **HANDHELD MASSAGER**
(71) Applicant: **FKA Distributing Co., LLC**,
Commerce Township, MI (US)
(72) Inventors: **Nathan Chun Kit Siu**, Mississauga
(CA); **Andrew Steven Juhasz**, Ajax
(CA)
(73) Assignee: **FKA Distributing Co., LLC**,
Commerce Township, MI (US)
(**) Term: **15 Years**
(21) Appl. No.: **29/771,582**
(22) Filed: **Feb. 24, 2021**
(51) **LOC (14) Cl.** **24-01**
(52) **U.S. Cl.**
USPC **D24/215**
(58) **Field of Classification Search**
USPC D24/127, 130, 133, 188, 200, 211, 212,
D24/213, 214, 215; D28/44, 56, 58;
D10/57; D30/158; D23/223
CPC A61H 7/00; A61H 1/00; A61H 2205/00;
A61B 10/04; A61N 5/0616; A61N
2005/0644; A61N 2005/0643; A61N
1/328
See application file for complete search history.

(56) **References Cited**
U.S. PATENT DOCUMENTS
D435,913 S * 1/2001 Harris D24/214
D463,862 S * 10/2002 Lau D24/214
D510,158 S * 9/2005 Cheung D24/147

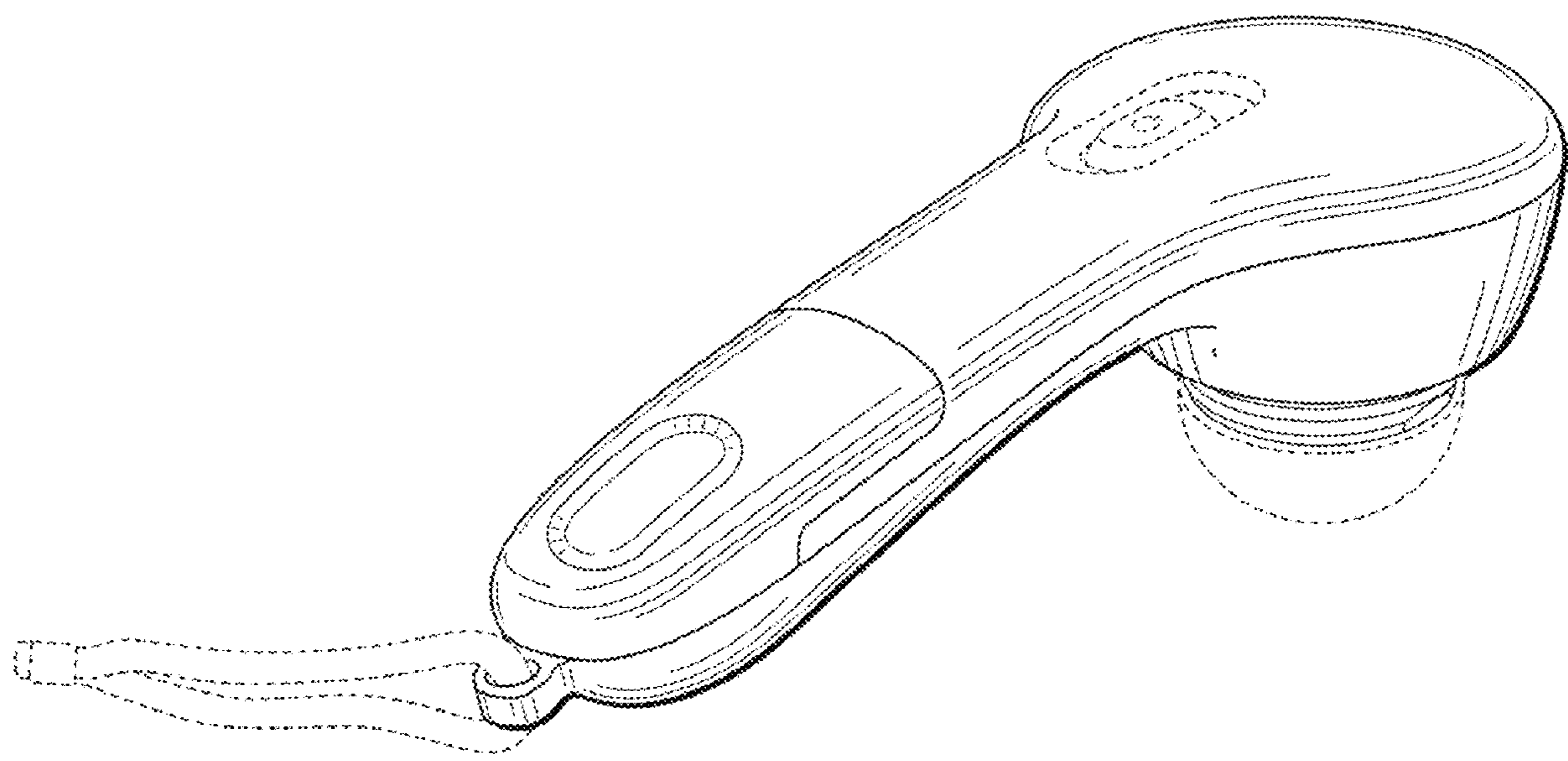
D649,657 S * 11/2011 Petersen D24/215
D671,226 S * 11/2012 Aulwes D24/215
D768,309 S * 10/2016 Hetzel D24/214
D768,310 S * 10/2016 Hetzel D24/214
D823,478 S * 7/2018 Park D24/215
D842,491 S * 3/2019 Fleming D24/215
D868,990 S * 12/2019 Tse D24/215
D869,673 S * 12/2019 Chen D24/211
D872,295 S * 1/2020 Friedman D24/215
D928,979 S * 8/2021 Park D24/215
D953,555 S * 5/2022 Lee D24/215
D954,285 S * 6/2022 Lee D24/215

* cited by examiner
Primary Examiner — Michael A Maharajh
(74) *Attorney, Agent, or Firm* — Brooks Kushman P.C.

(57) **CLAIM**
The ornamental design for a handheld massager, as shown and described.

DESCRIPTION
FIG. 1 is a perspective view of a handheld massager showing our new design;
FIG. 2 is a right side view of the handheld massager of FIG. 1, the left side view being a mirror image thereof;
FIG. 3 is a front view of the handheld massager of FIG. 1;
FIG. 4 is a rear view of the handheld massager of FIG. 1;
FIG. 5 is a bottom view of the handheld massager of FIG. 1; and,
FIG. 6 is a top view of the handheld massager of FIG. 1.
The broken lines shown in the drawings are for the purpose of illustrating portions of the handheld massager which form no part of the claimed design.

1 Claim, 4 Drawing Sheets



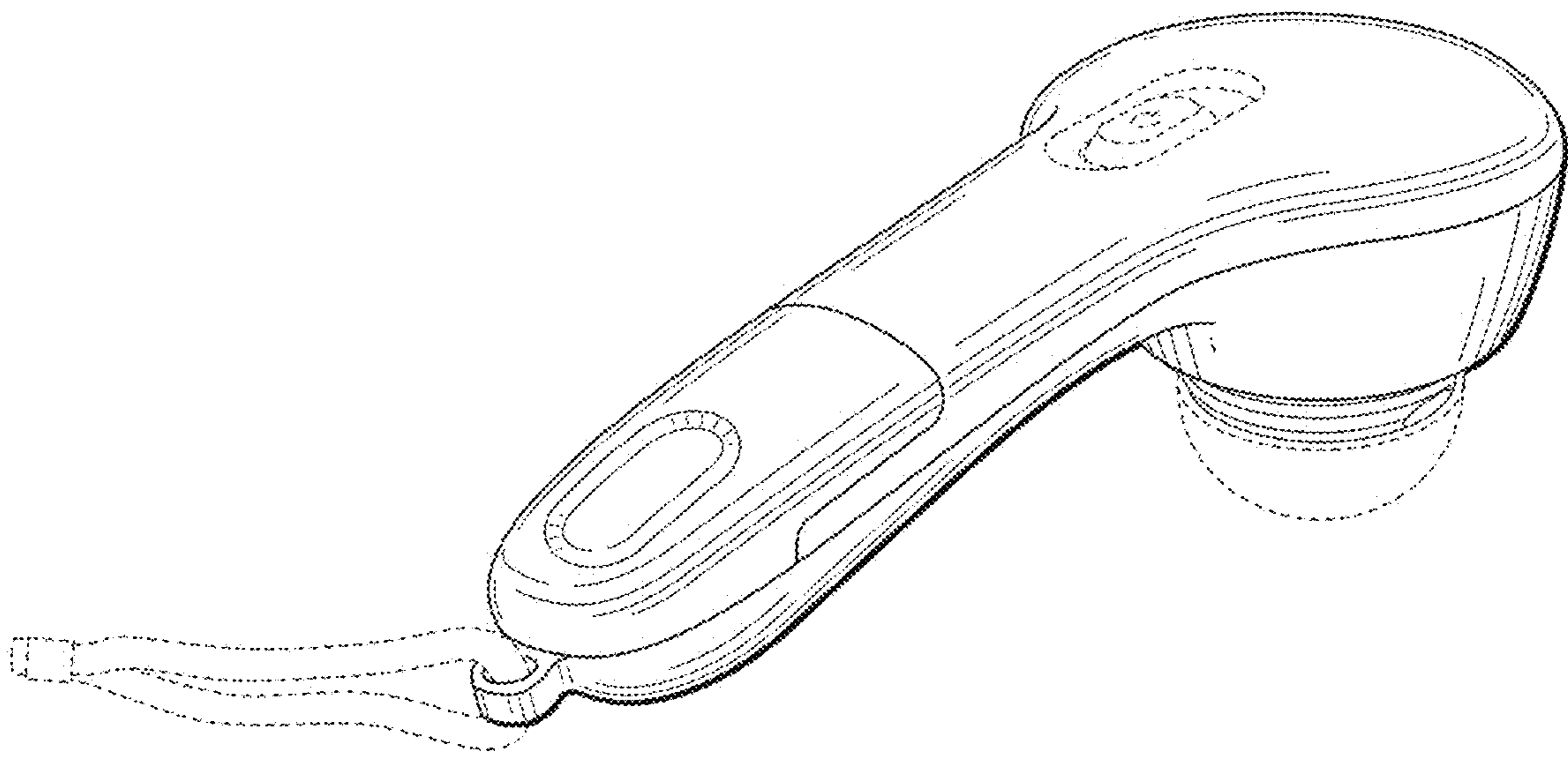


FIG. 1

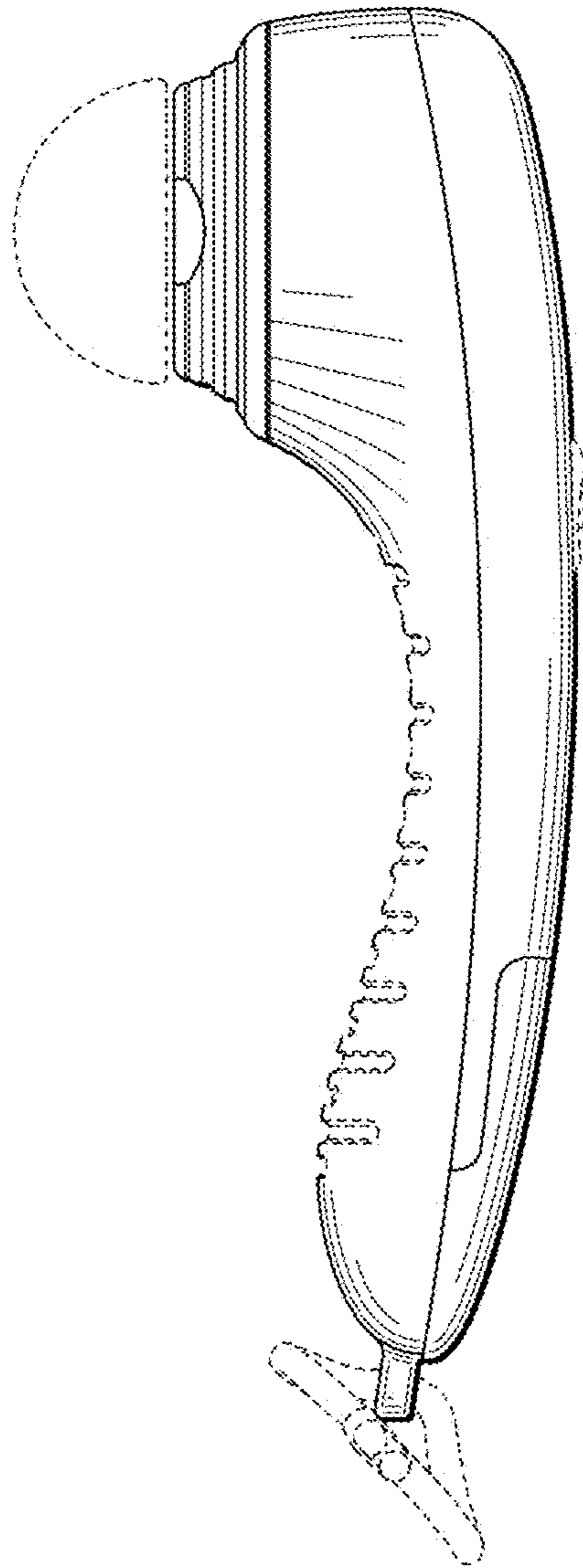


FIG. 2

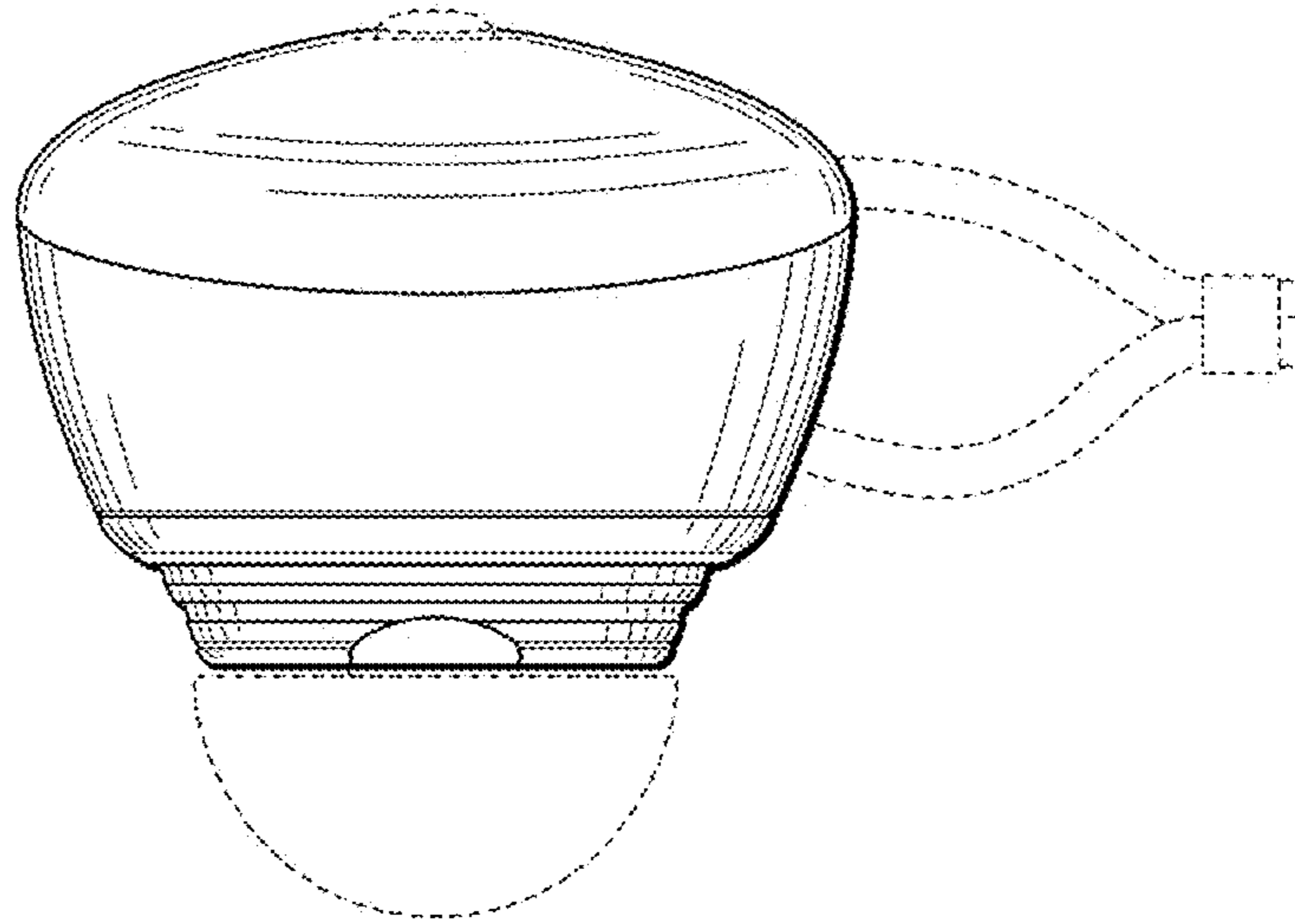


FIG. 3

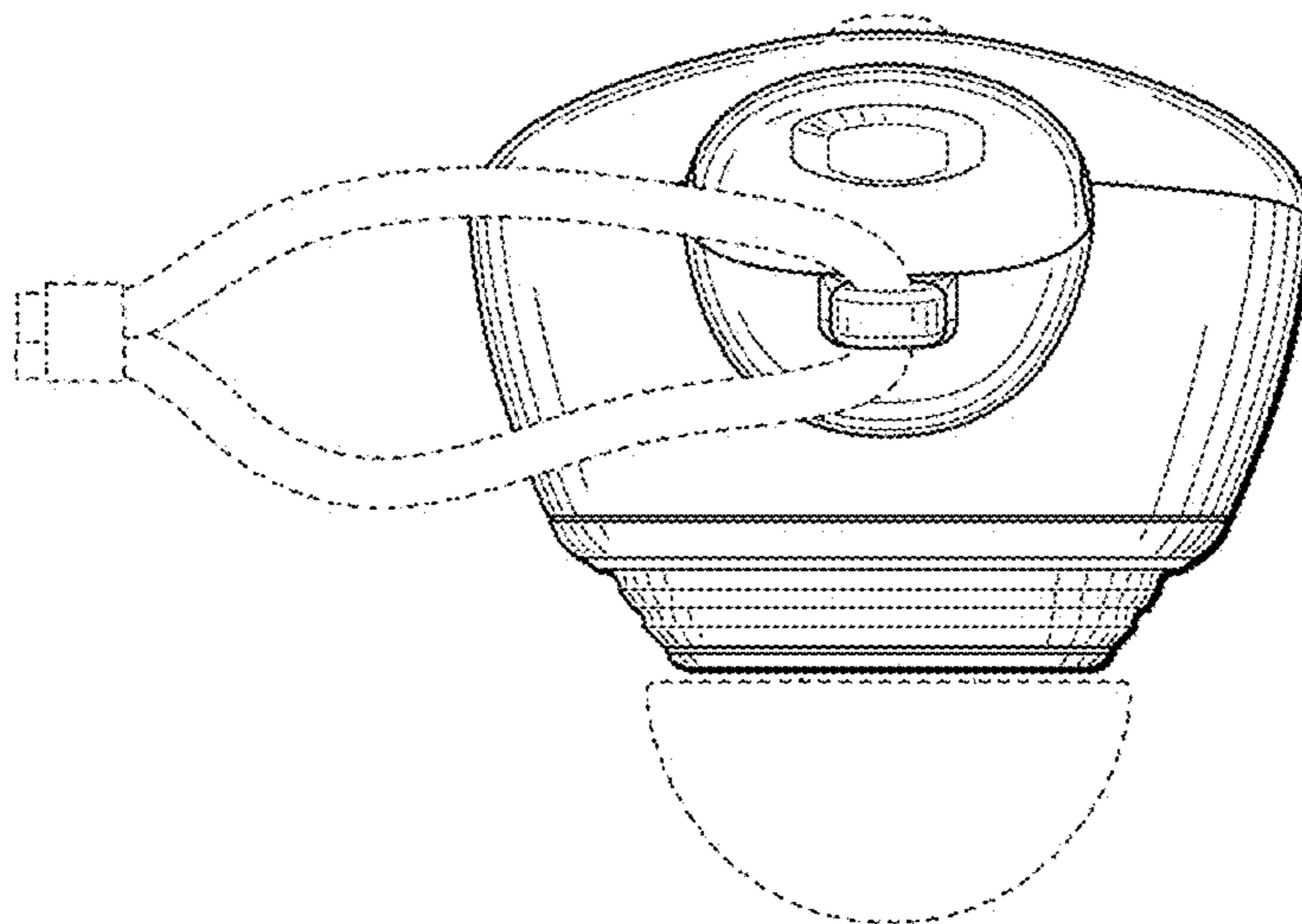


FIG. 4

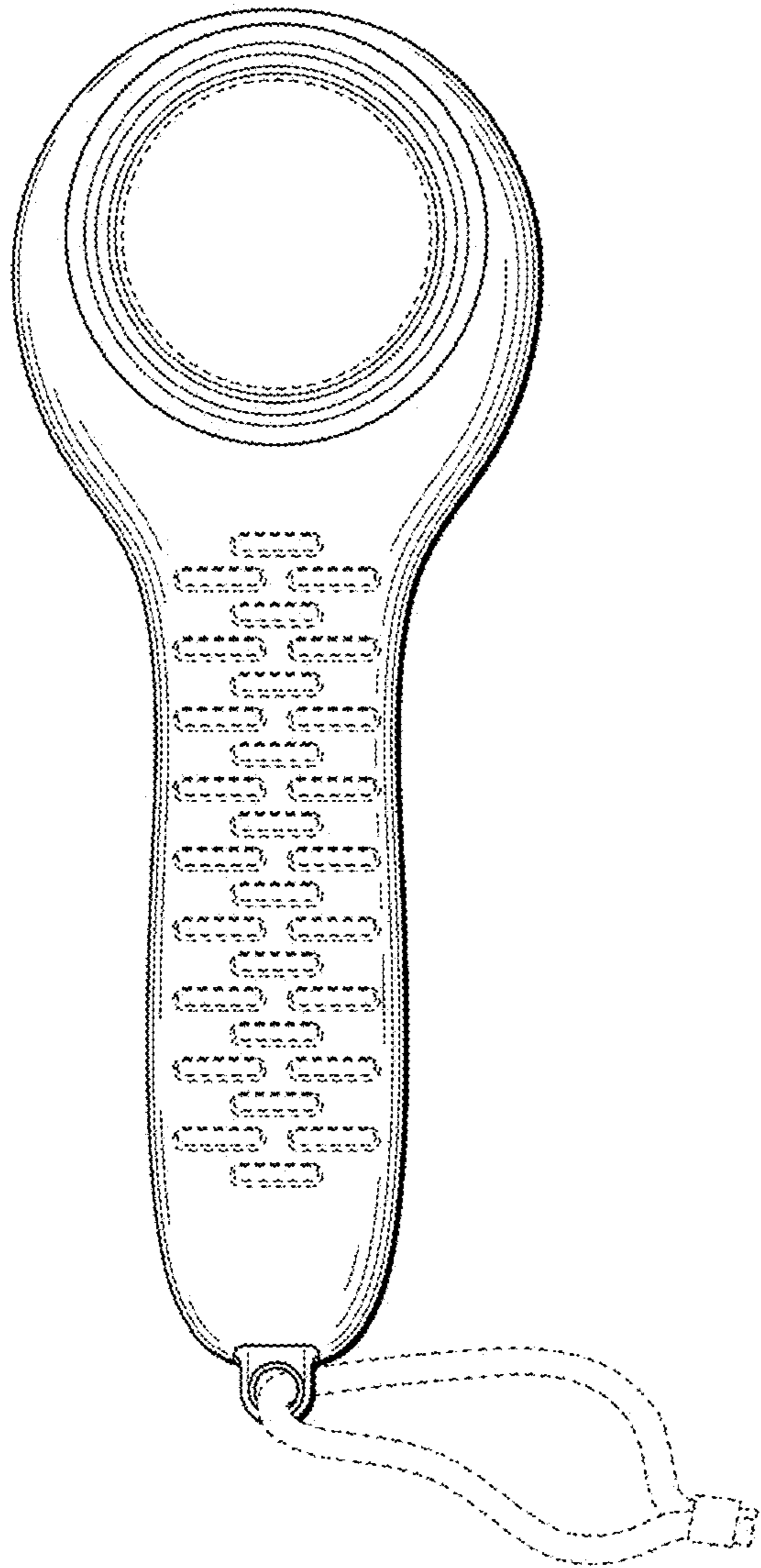


FIG. 5

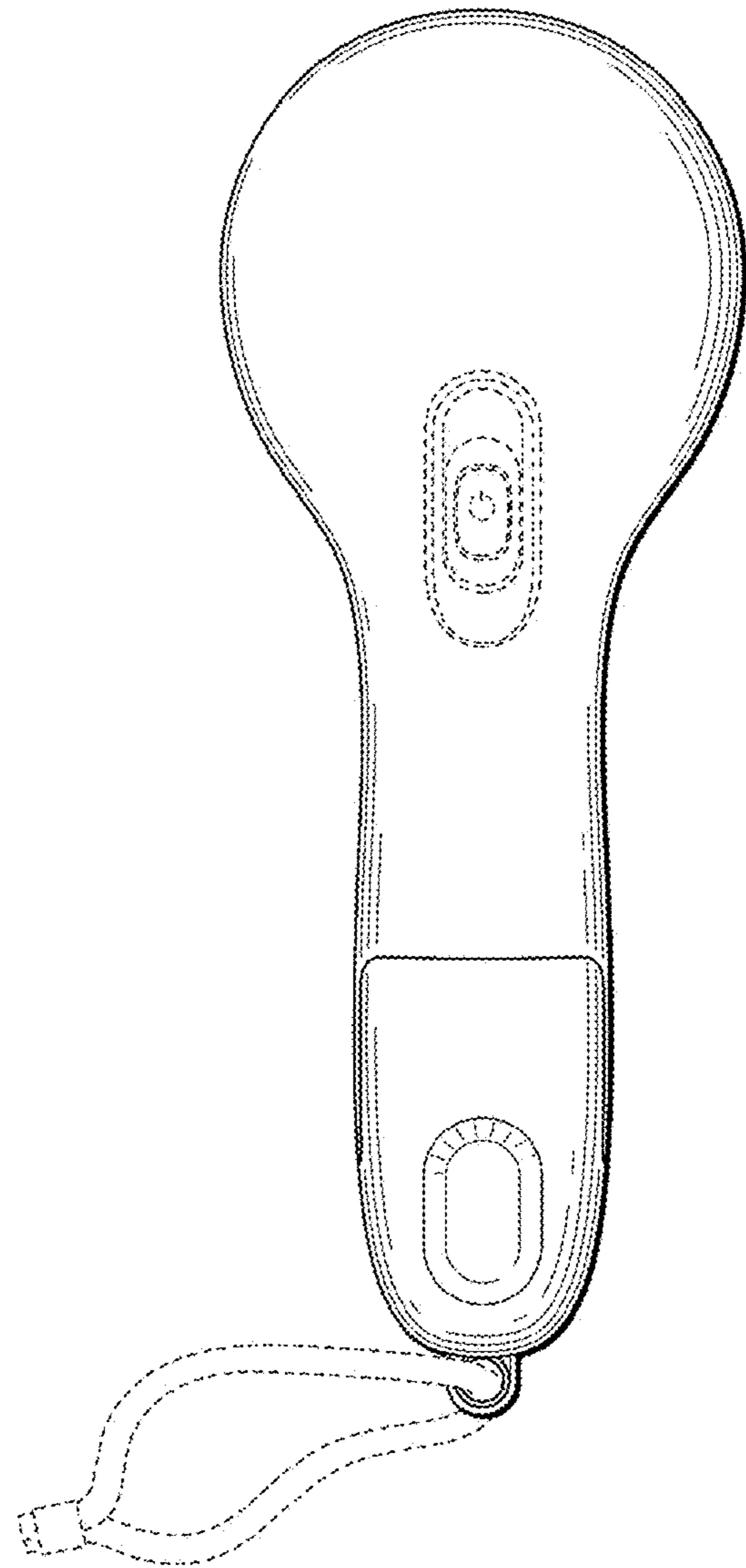


FIG. 6