



US00D980445S

(12) **United States Design Patent** (10) **Patent No.:** **US D980,445 S**
Pan (45) **Date of Patent:** **** Mar. 7, 2023**

(54) **FOOT MASSAGE APPLIANCE**

(71) Applicant: **Shaojun Pan**, Guangdong (CN)

(72) Inventor: **Shaojun Pan**, Guangdong (CN)

(**) Term: **15 Years**

(21) Appl. No.: **29/833,099**

(22) Filed: **Mar. 31, 2022**

(51) **LOC (14) Cl.** **28-03**

(52) **U.S. Cl.**
USPC **D24/213**

(58) **Field of Classification Search**

USPC D24/215, 200, 211, 212, 213, 214, 107,
D24/231, 184, 189, 190, 192

CPC A61H 33/00; A61H 33/0087; A61H
2033/048; A61H 35/00; A61H 35/006;
A61H 2205/10; A61H 2205/106; A61H
2205/12

See application file for complete search history.

(56) **References Cited**

U.S. PATENT DOCUMENTS

D257,883 S	1/1981	Holmberg	
D338,273 S *	8/1993	Williams	D24/190
D375,164 S *	10/1996	Wasserman	D24/192
6,478,762 B1 *	11/2002	Varn	A61F 5/0195 602/65
D475,792 S	6/2003	Robbins, III	
D530,016 S *	10/2006	Sroufe	D24/192
D819,219 S *	5/2018	Izuka	D24/190
D819,822 S *	6/2018	Schmitt	D24/192
D866,788 S *	11/2019	Zhang	D24/215
D888,969 S *	6/2020	Zhang	D24/190
D931,473 S *	9/2021	Li	D24/192
D935,627 S *	11/2021	Zhang	D24/190
D939,095 S *	12/2021	Ren	D24/190
2011/0077564 A1 *	3/2011	Ganapathy	A61H 9/0078 601/151

OTHER PUBLICATIONS

Aldious—Red and Infrared Light Therapy Shoe. Date: Dec. 17, 2021. [online], [Site visited Sep. 12, 2022]. Available from Internet URL: <https://www.amazon.com/dp/B09NR62GWD/> (Year: 2021).
InvoSpa—Leg Massager for Circulation. Date: Dec. 17, 2021. [online]. [Site visited Sep. 12, 2022]. Available from Internet URL: <https://www.amazon.com/dp/B09NR62GWD/> (Year: 2021).
Massagers. (Design —© Questel) orbit.com. [Online PDF compilation of references] 15 pgs. Print Dates Range Jun. 15, 2015-Oct. 21, 2016 [Retrieved Sep. 12, 2022] <https://www.orbit.com/export/UCZAH96B/pdf4/42f3aca6-444b-4688-b554-d02ce7b7b5d0-230152.pdf> (Year: 2022).*

* cited by examiner

Primary Examiner — Susan Bennett Hattan
Assistant Examiner — Landon Thomas Cassell
(74) *Attorney, Agent, or Firm* — True Shepherd, LLC;
Andrew Cheng

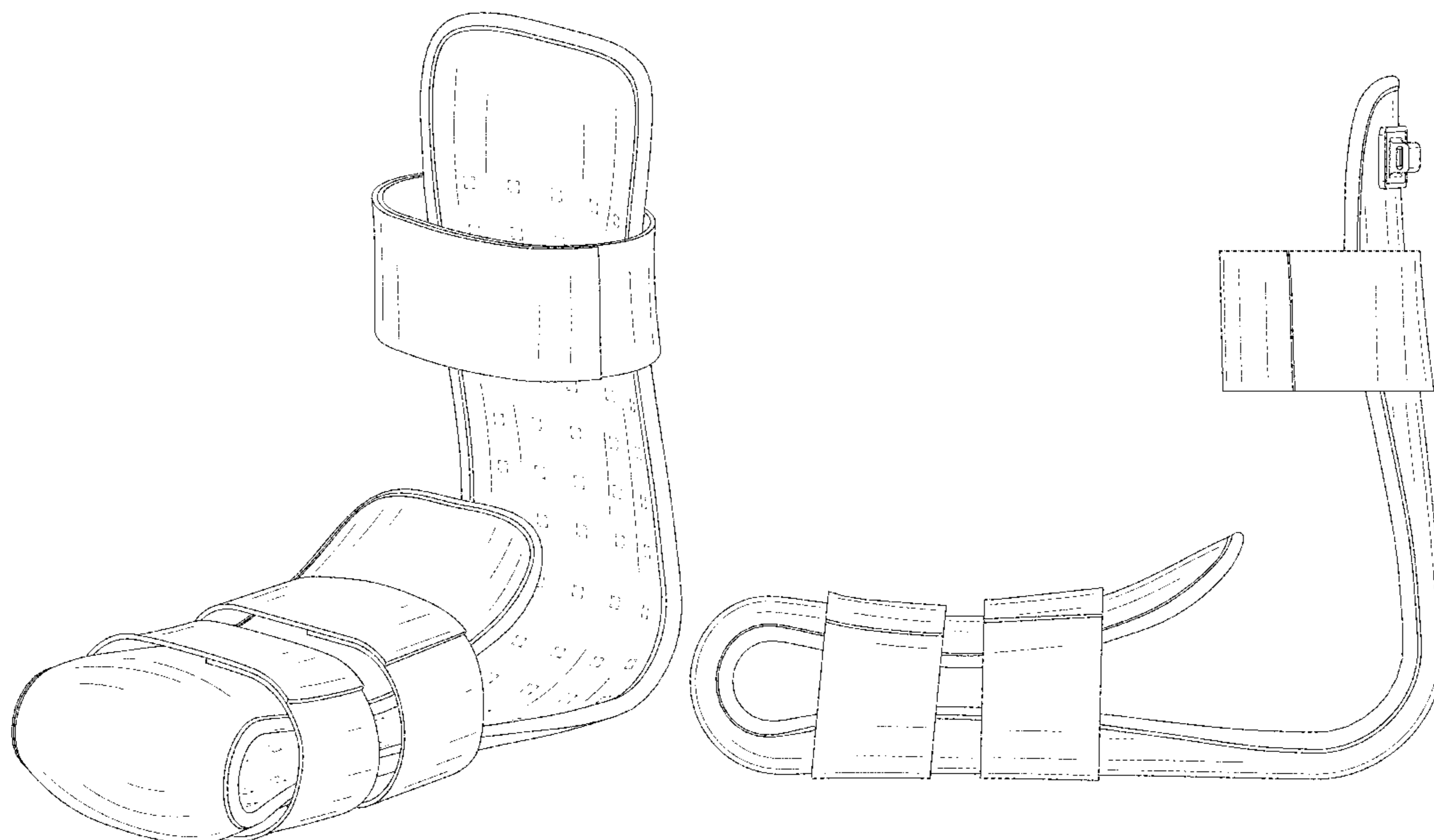
(57) **CLAIM**

The ornamental design for a foot massage appliance, as shown and described.

DESCRIPTION

FIG. 1 is a front, right and top perspective view of a foot massage appliance, showing my design.
FIG. 2 is a front elevation view thereof.
FIG. 3 is a rear elevation view thereof.
FIG. 4 is a left side elevation view thereof.
FIG. 5 is a right side elevation view thereof.
FIG. 6 is a top plan view thereof; and,
FIG. 7 is a bottom plan view thereof.
The broken lines in the drawings depict portions of the foot massage appliance that form no part of the claimed design.

1 Claim, 7 Drawing Sheets



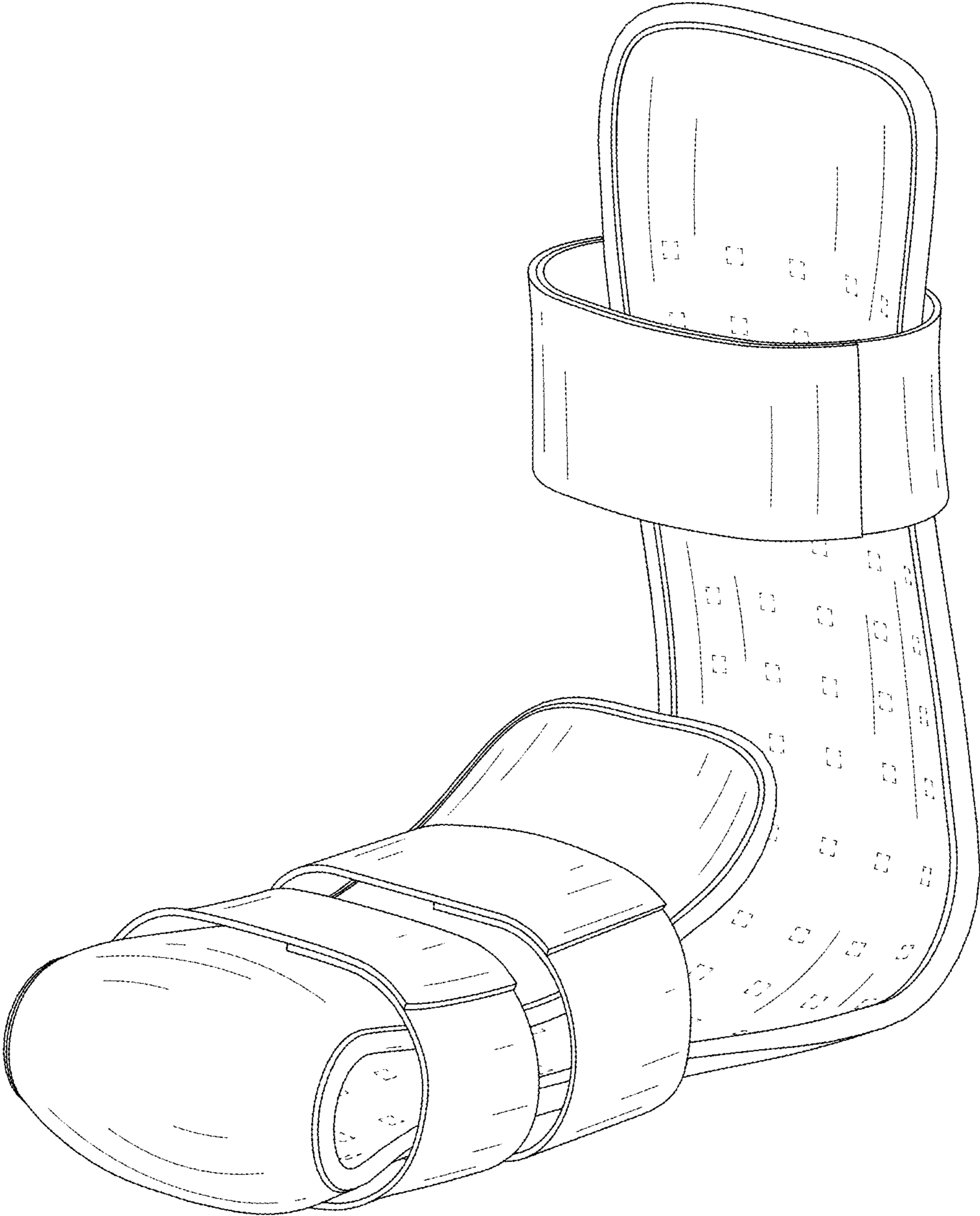


FIG. 1

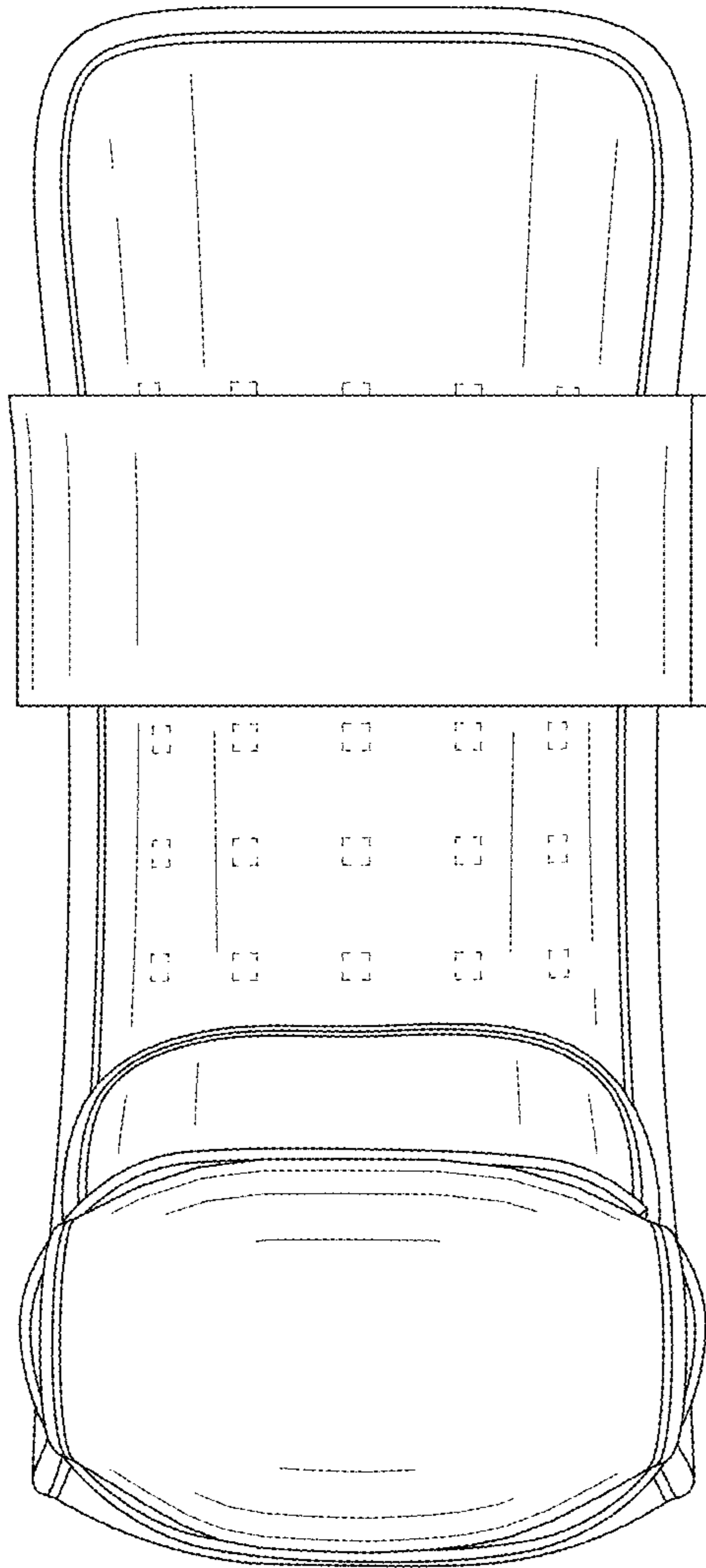


FIG. 2

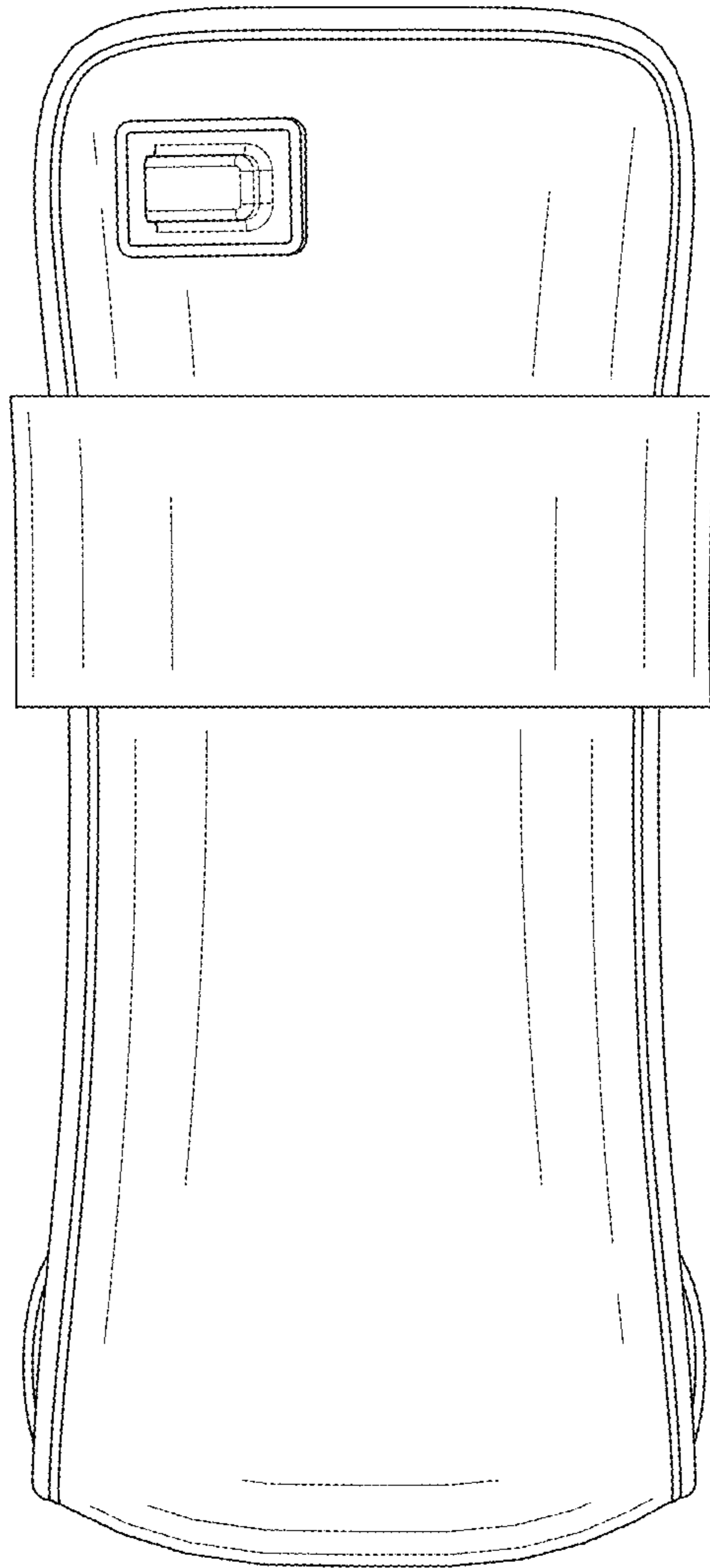


FIG. 3

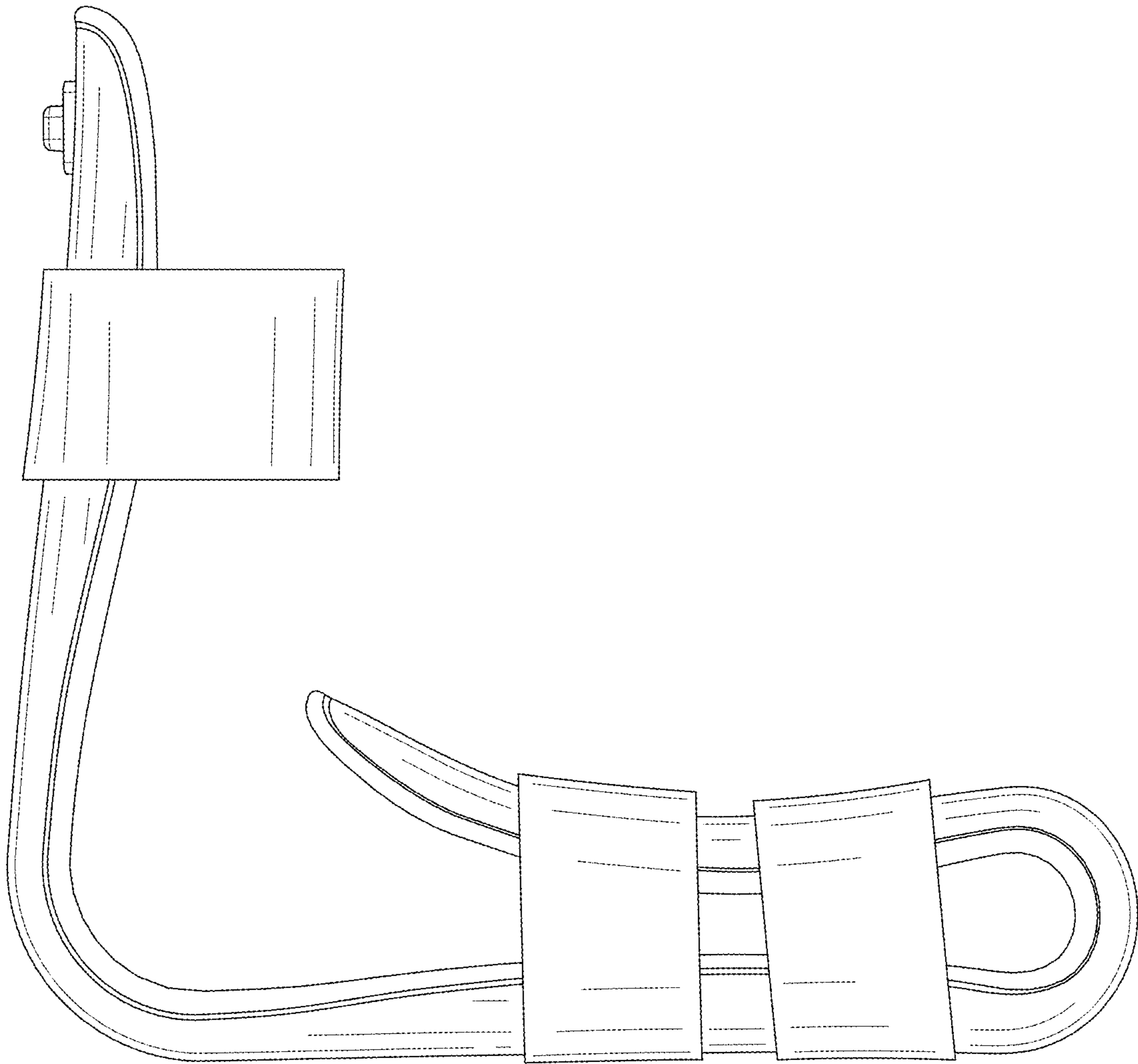


FIG. 4

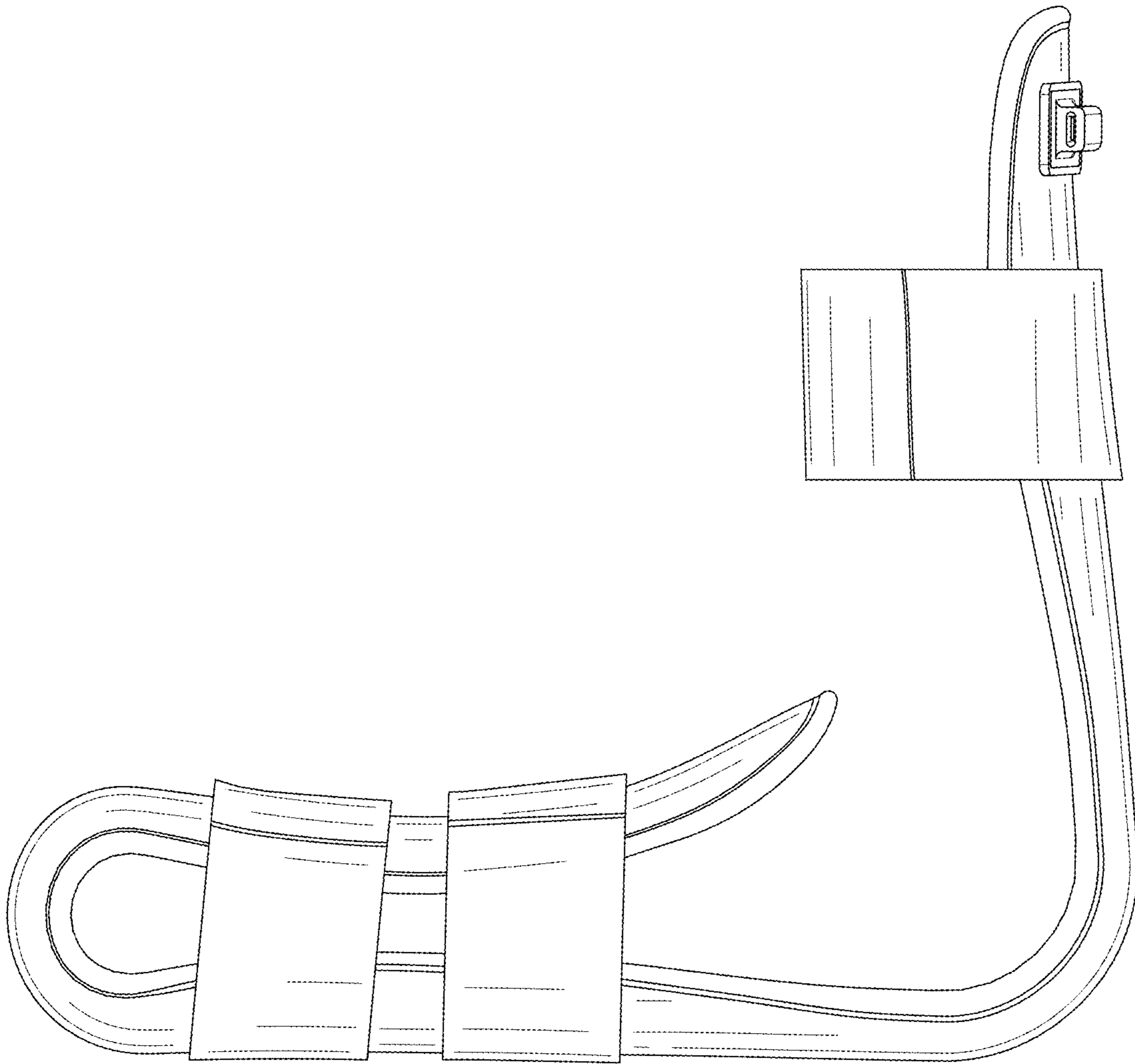


FIG.5

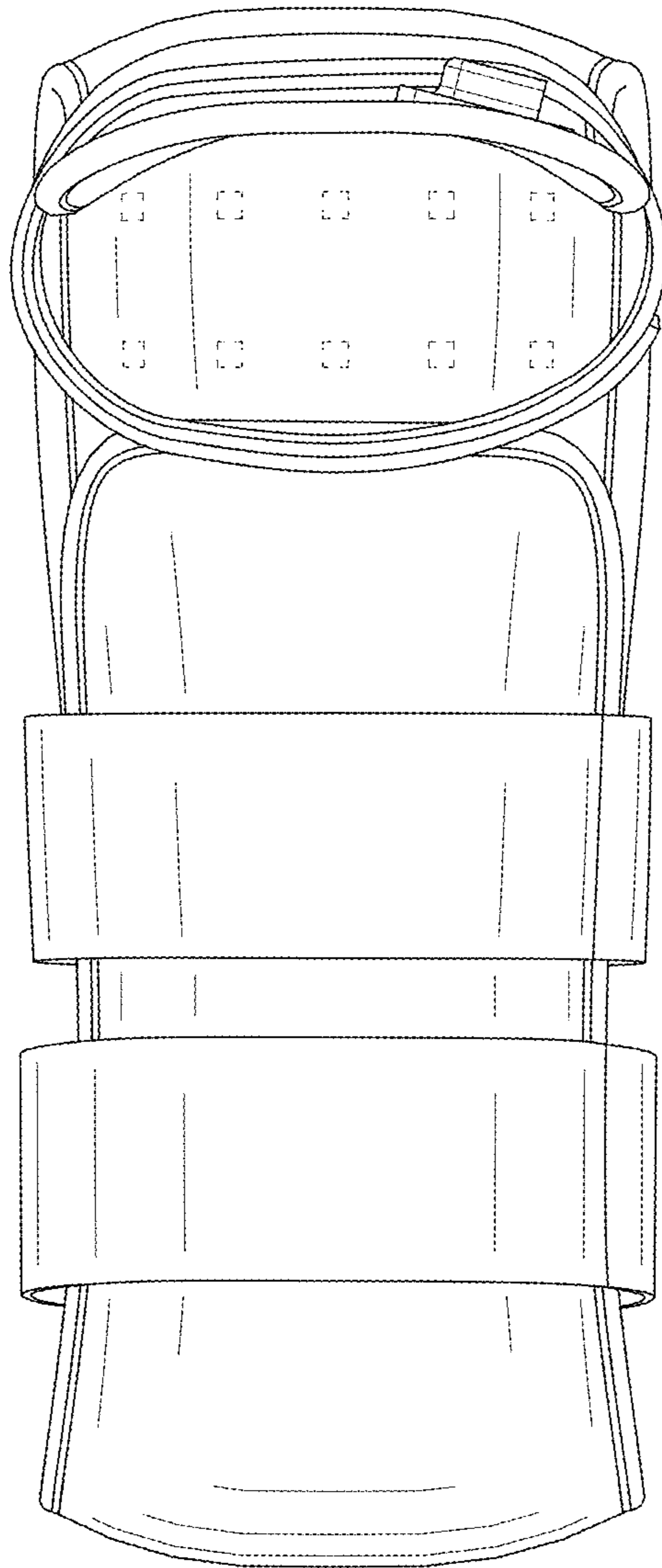


FIG. 6

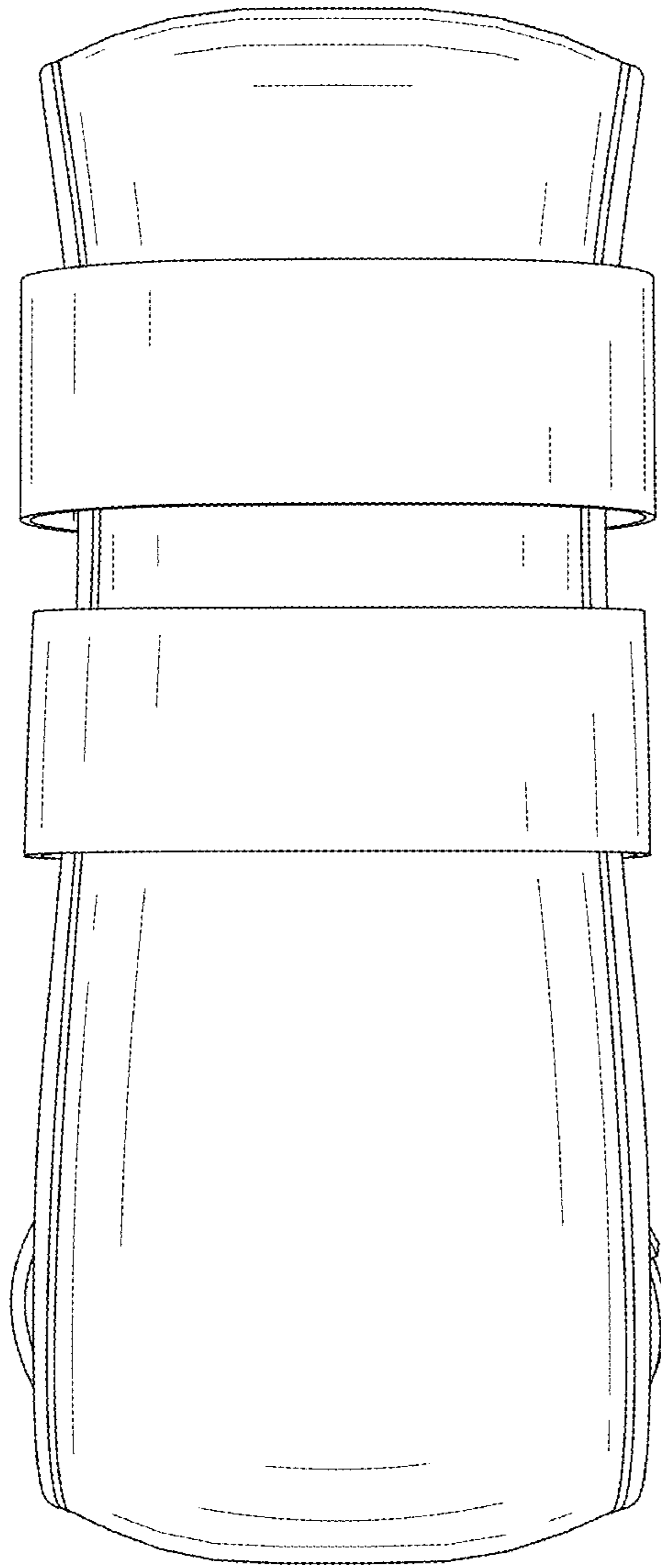


FIG. 7