



US00D980441S

(12) **United States Design Patent**  
**Foy**

(10) **Patent No.:** **US D980,441 S**  
(45) **Date of Patent:** **\*\* Mar. 7, 2023**

(54) **SPA**

(71) Applicant: **9213-4550 QUÉBEC INC.**,  
Drummondville (CA)

(72) Inventor: **Jérôme Foy**, Orford (CA)

(73) Assignee: **9213-4550 QUÉBEC INC.**,  
Drummondville (CA)

(\*\*) Term: **15 Years**

(21) Appl. No.: **29/778,383**

(22) Filed: **Apr. 13, 2021**

(30) **Foreign Application Priority Data**

Oct. 14, 2020 (CA) ..... CA 198743

(51) **LOC (14) Cl.** ..... **23-02**

(52) **U.S. Cl.**  
USPC ..... **D24/204**

(58) **Field of Classification Search**  
USPC ..... D23/276, 277, 278, 280.1, 280.2, 280.3;  
D24/201-205, 213  
CPC ..... A61H 33/6005; A61H 33/6021; A61H  
33/6089; A61H 33/6094; A61H 2035/004;  
A61H 35/006; A61H 33/06; A61H  
33/066; A47K 3/022; A47K 3/062

See application file for complete search history.

(56) **References Cited**

U.S. PATENT DOCUMENTS

D543,283	S	*	5/2007	Larsen	.....	D24/204
D783,846	S	*	4/2017	Goulet	.....	D24/204
D800,328	S	*	10/2017	Harder	.....	D24/204
D837,992	S	*	1/2019	Harder	.....	D24/204
D843,000	S	*	3/2019	Harder	.....	D24/204
D948,737	S	*	4/2022	Foy	.....	D24/204
D962,457	S	*	8/2022	Foy	.....	D24/204
2021/0355700	A1	*	11/2021	Foy	.....	E04H 4/0037
2021/0381265	A1	*	12/2021	Foy	.....	A61H 33/6005

\* cited by examiner

*Primary Examiner* — Anhdao Doan

(74) *Attorney, Agent, or Firm* — Alexandre Daoust;  
Norton Rose Fulbright Canada LLP

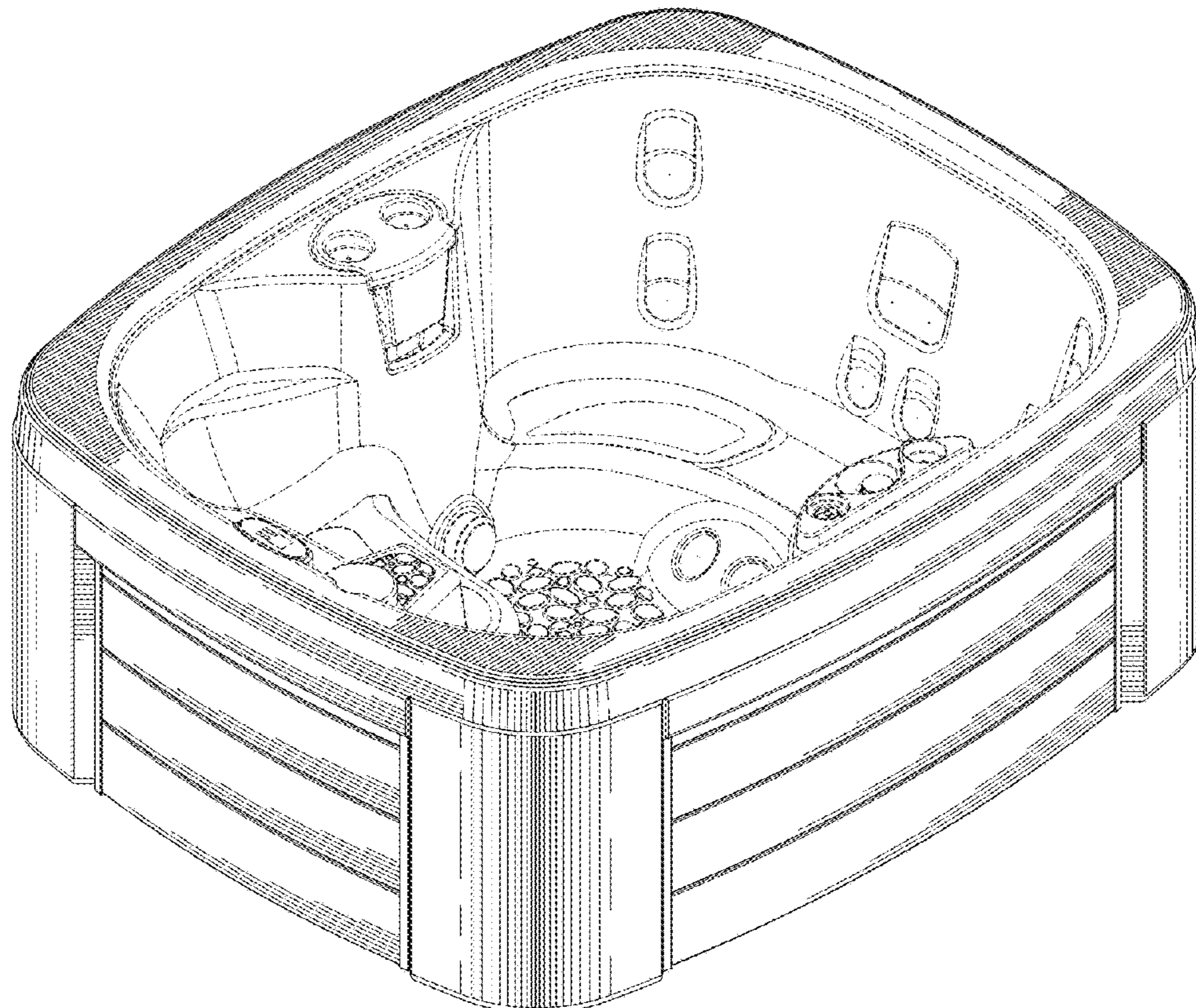
(57) **CLAIM**

The ornamental design for a spa, as shown and described.

**DESCRIPTION**

FIG. 1 is a perspective view of a spa;  
FIG. 2 is a top view thereof;  
FIG. 3 is a front view thereof;  
FIG. 4 is a rear view thereof;  
FIG. 5 is a left side view thereof; and,  
FIG. 6 is a right side view thereof.  
The broken lines illustrate portions of the spa that form no part of the claimed design.

**1 Claim, 6 Drawing Sheets**



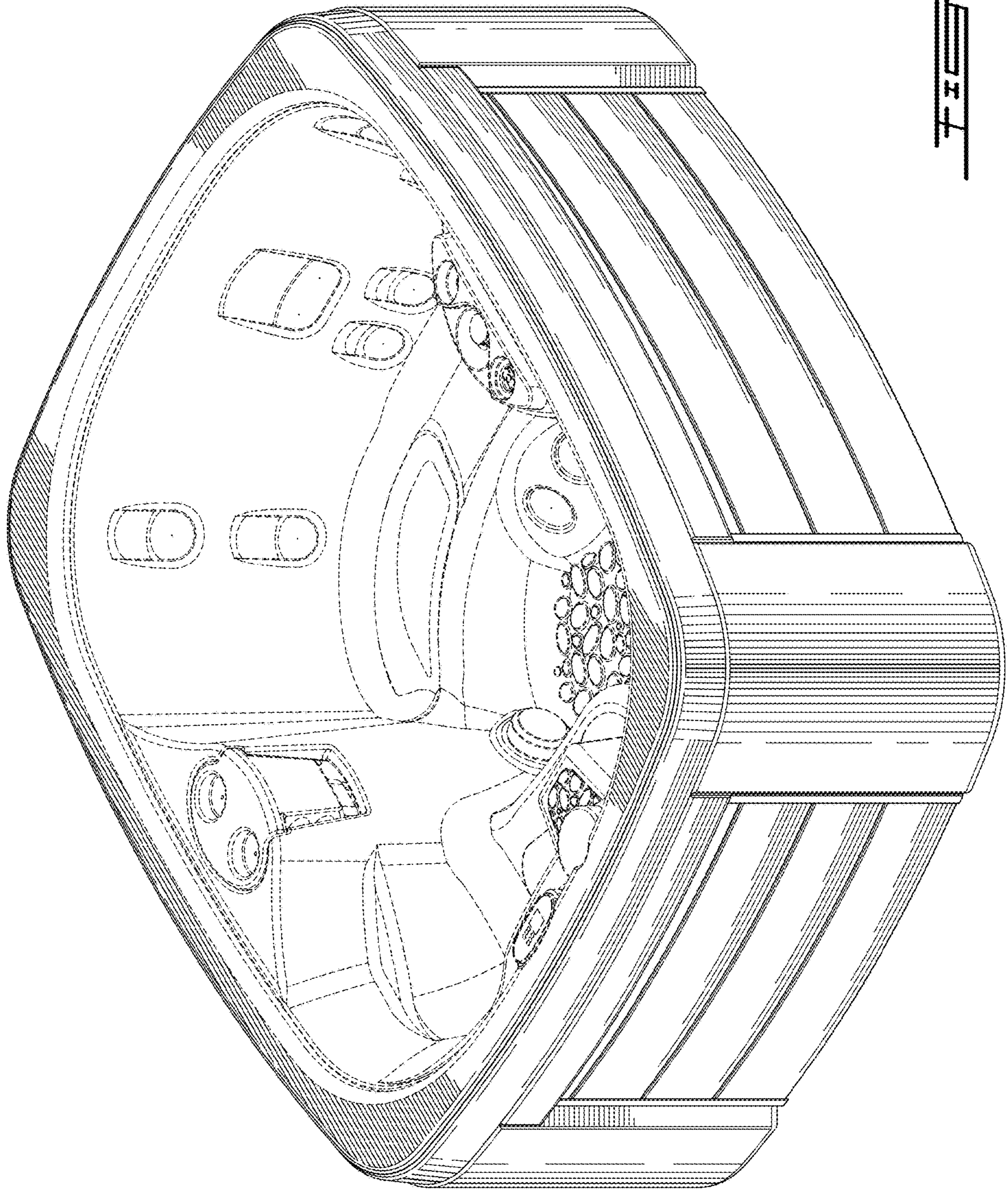


FIG. 1

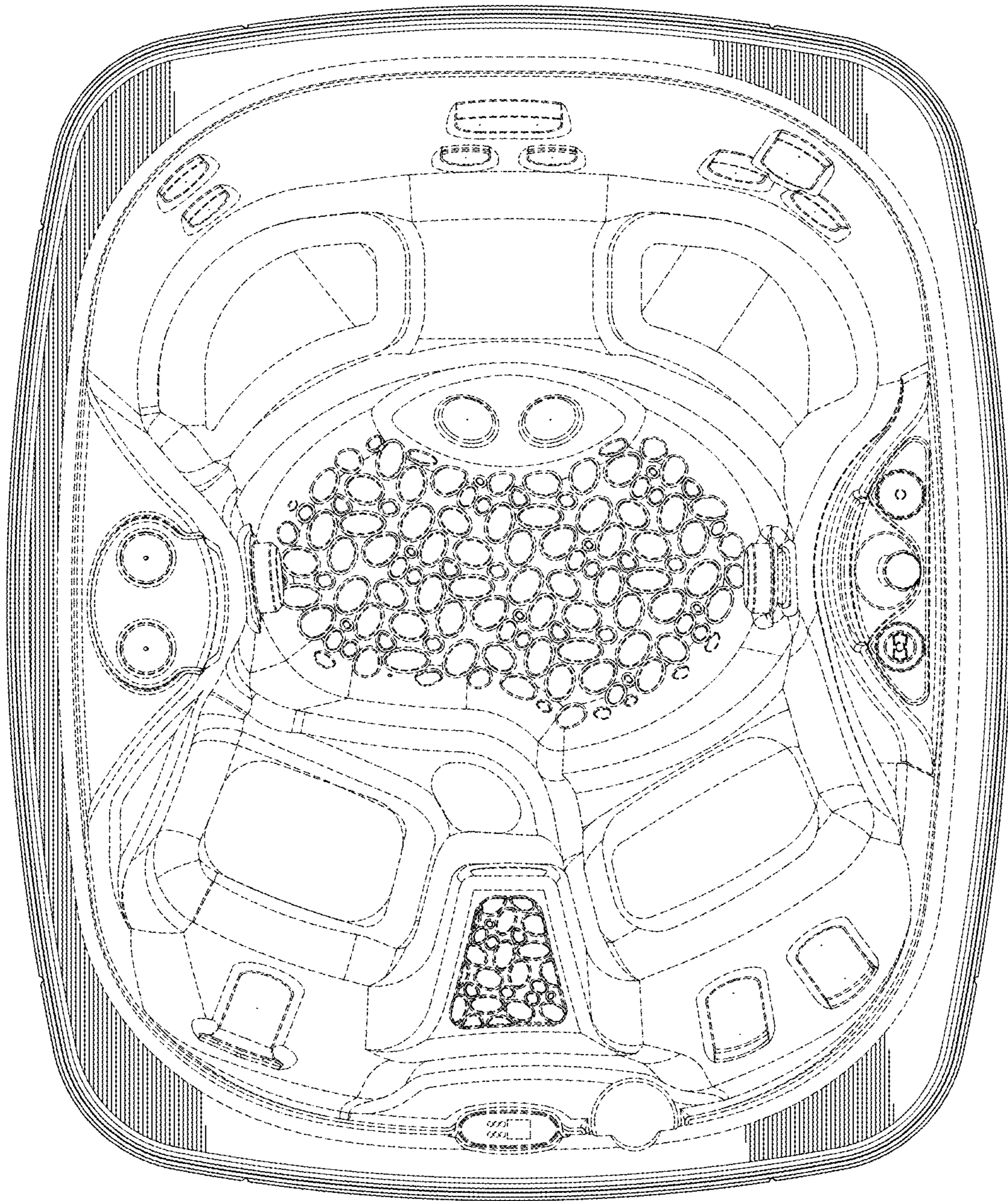


FIG. 2

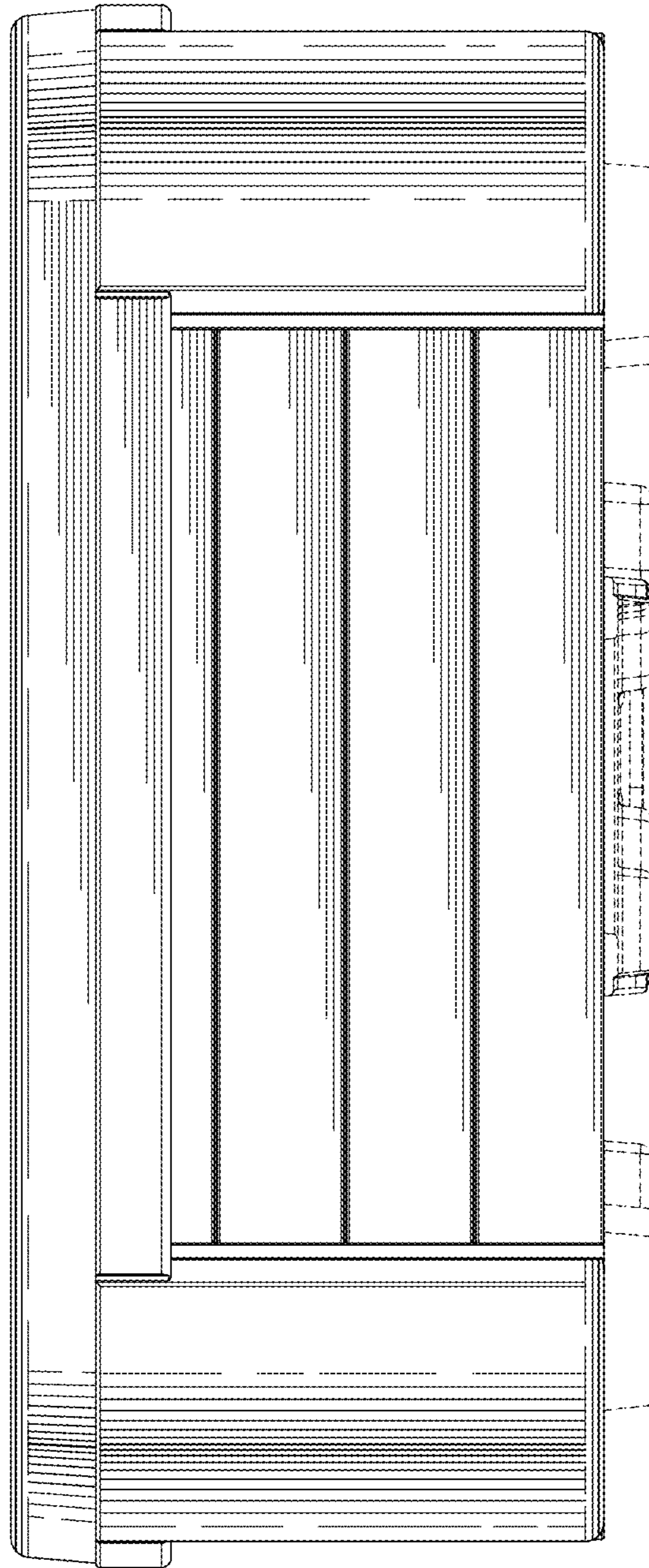


FIG. 3

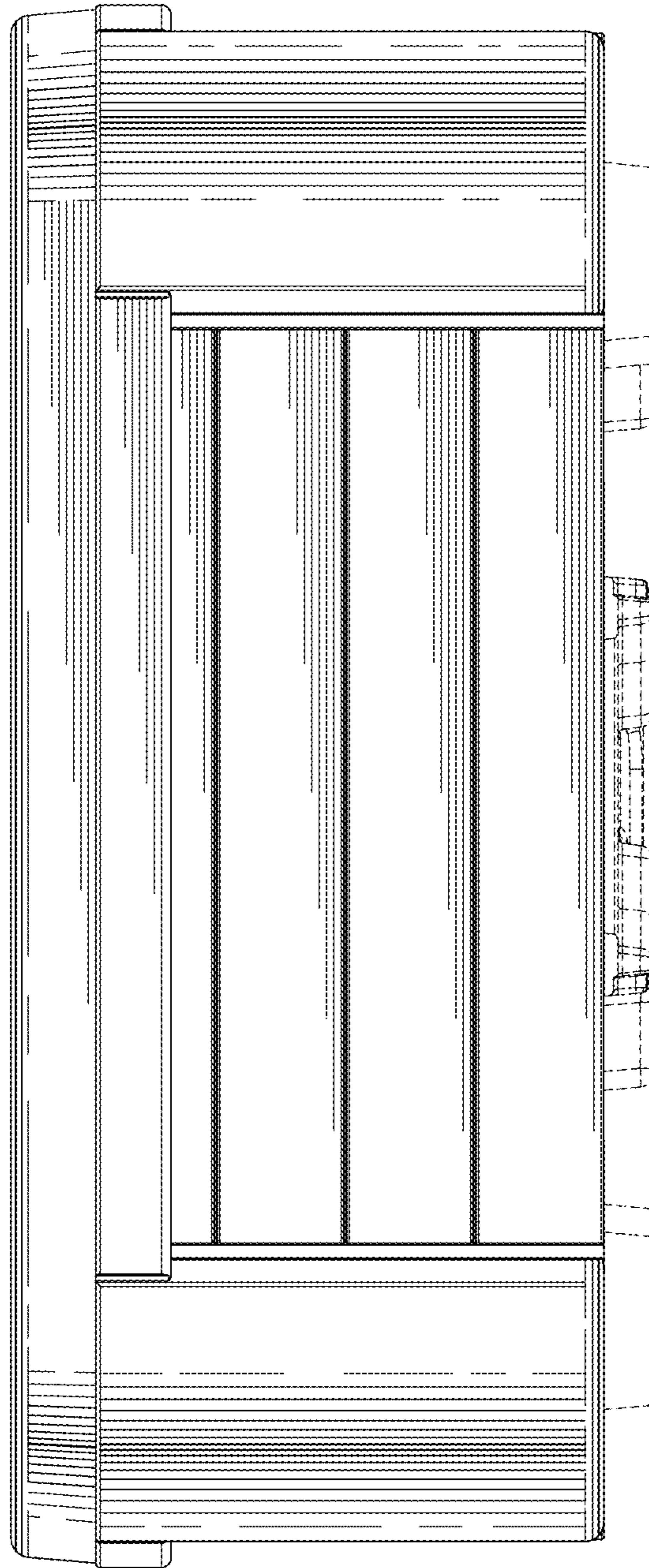


FIG. 4

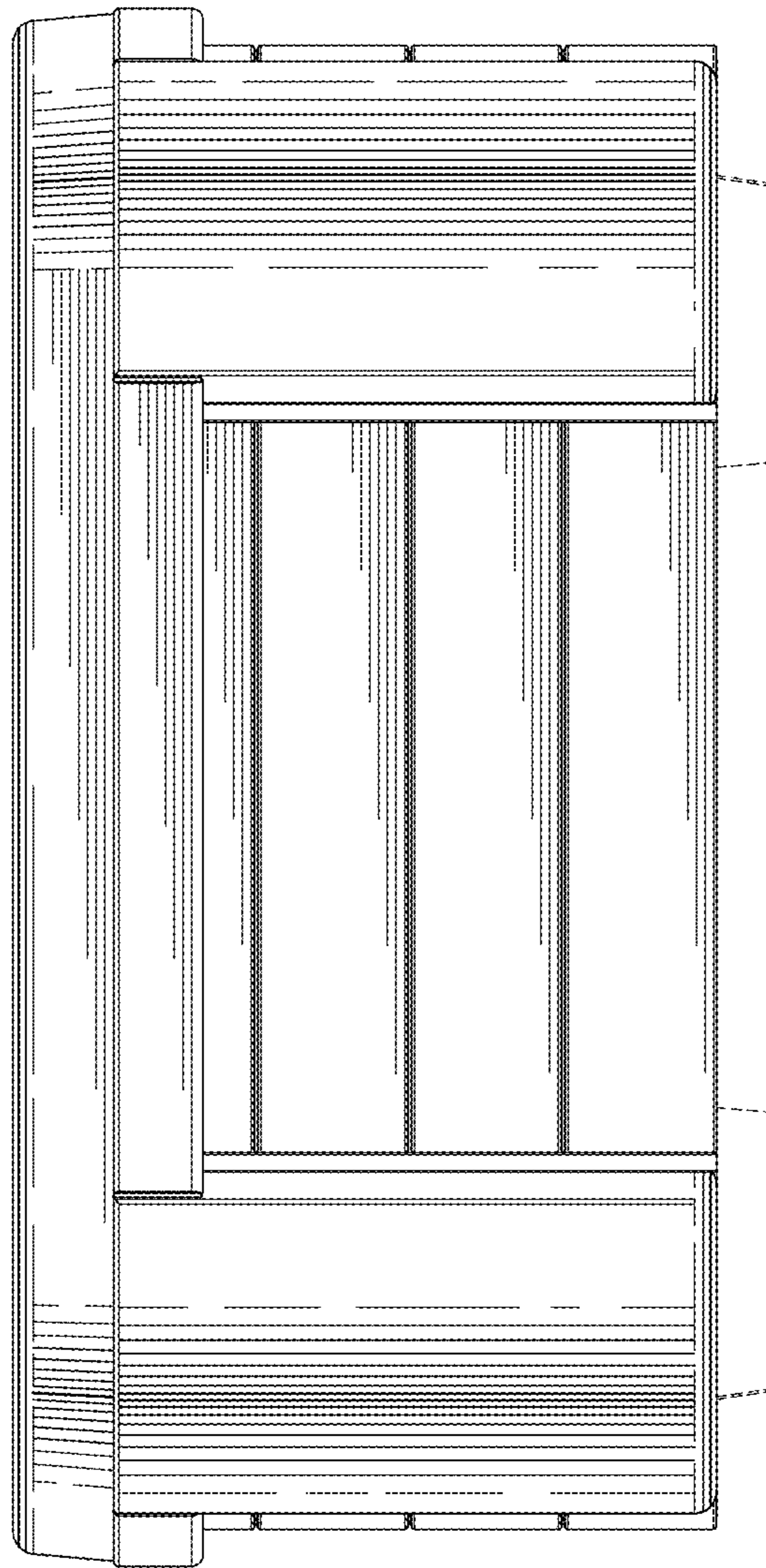


FIG. 5

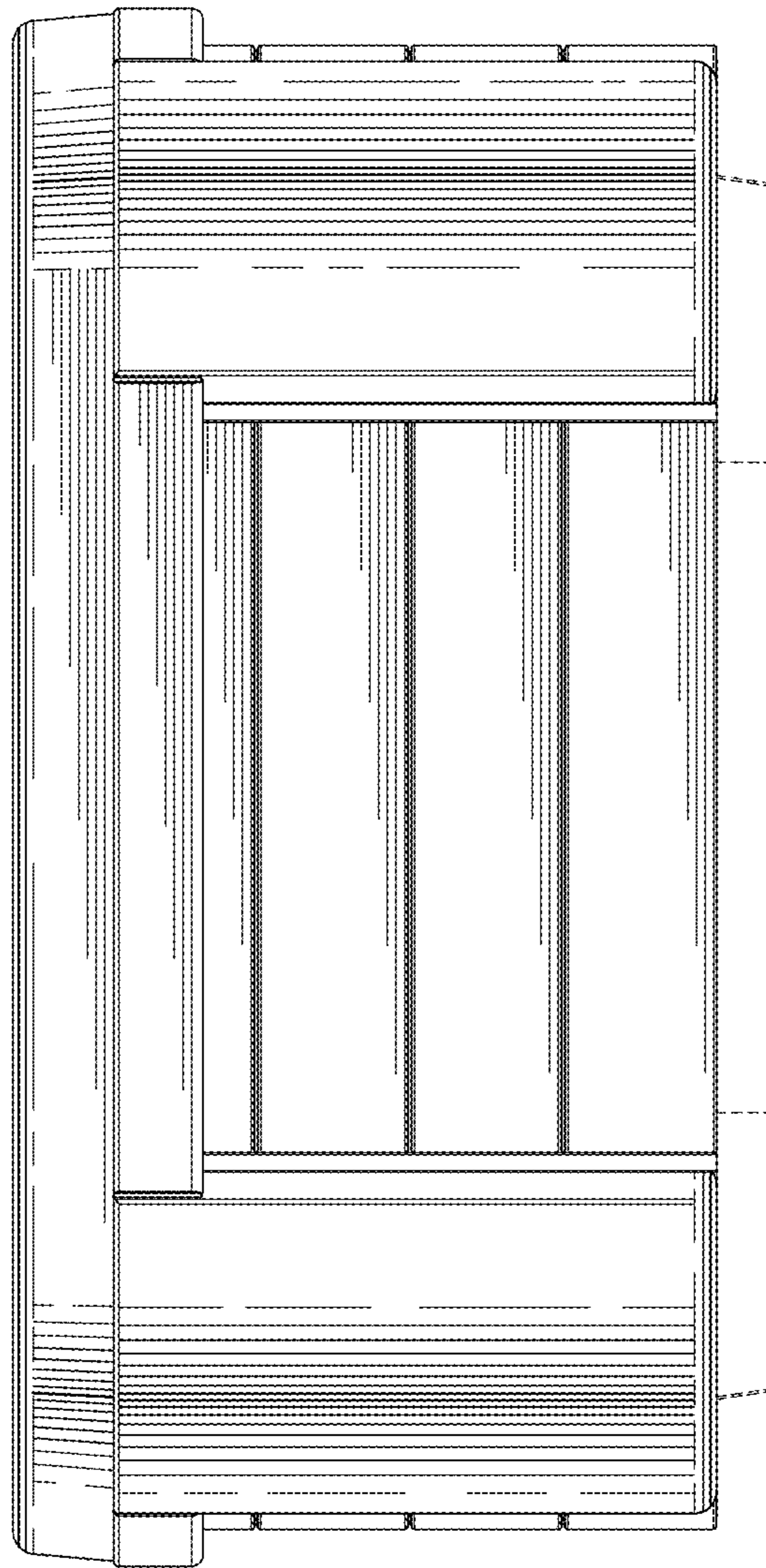


FIG. 6