



US00D980440S

(12) **United States Design Patent**
Petee

(10) **Patent No.:** **US D980,440 S**

(45) **Date of Patent:** **** *Mar. 7, 2023**

(54) **FACE CLEANING BOWL**

(71) Applicant: **Nichole Lynn Petee**, Ottawa Hills, OH
(US)

(72) Inventor: **Nichole Lynn Petee**, Ottawa Hills, OH
(US)

(73) Assignee: **Nichole Lynn Petee**, Ottawa Hills, OH
(US)

(*) Notice: This patent is subject to a terminal disclaimer.

(**) Term: **15 Years**

(21) Appl. No.: **29/653,211**

(22) Filed: **Jun. 13, 2018**

(51) **LOC (14) Cl.** **23-06**

(52) **U.S. Cl.**
USPC **D24/204**

(58) **Field of Classification Search**
USPC D24/201–205, 213; D23/276–278,
D23/280.1–280.3; D25/2
CPC A61H 33/6005; A61H 33/6021; A61H
33/6089; A61H 33/6094; A61H 2035/004;
A61H 35/006; A47K 3/022; A47K 3/062
See application file for complete search history.

(56) **References Cited**

U.S. PATENT DOCUMENTS

D254,988 S * 5/1980 Jones D23/277
D485,890 S * 1/2004 Lanius D23/280.1

D528,662 S * 9/2006 Jacuzzi D23/277
D610,697 S * 2/2010 Tran D24/213
D628,704 S * 12/2010 Tran D24/204
D632,798 S * 2/2011 Tran D24/213
D647,625 S * 10/2011 Le D24/204
D660,444 S * 5/2012 Tran D24/204
D709,619 S * 7/2014 Tran D24/204
D758,601 S * 6/2016 Galati, Jr. D24/204
D774,203 S * 12/2016 Zolotnik D24/204
2015/0297446 A1* 10/2015 Vinokur A61H 33/0087
4/622
2019/0014952 A1* 1/2019 Maclean A47K 3/062

* cited by examiner

Primary Examiner — Mary Shannon Malley
(74) *Attorney, Agent, or Firm* — Ulmer & Berne LLP;
Brian Erkin Turung

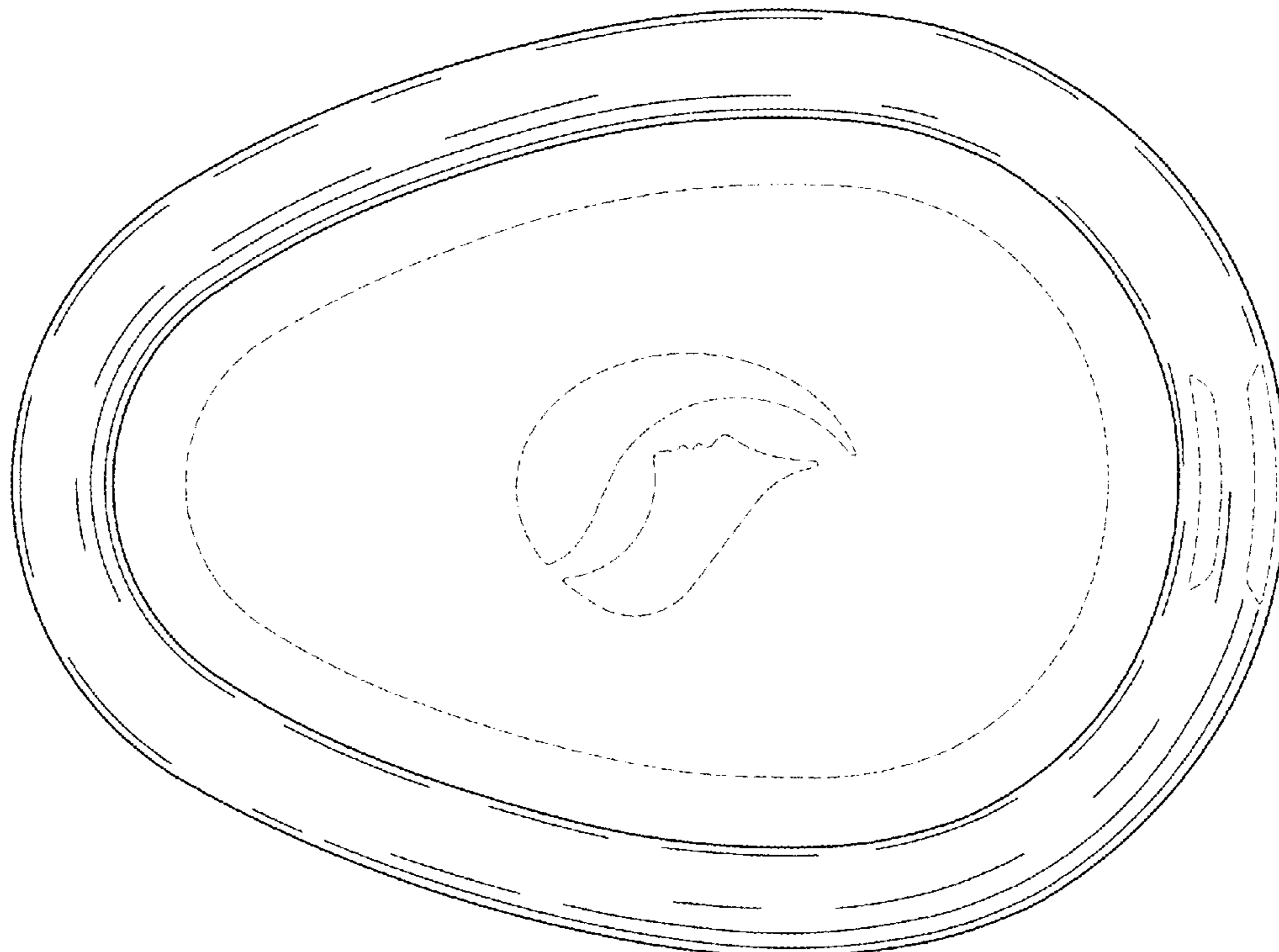
(57) **CLAIM**

The ornamental design for a face cleaning bowl, as shown and described.

DESCRIPTION

FIG. 1 is a top plan view of the face cleaning bowl showing my new design;
FIG. 2 is a side view of the face cleaning bowl of FIG. 1;
FIG. 3 is a front elevational view of the face cleaning bowl of FIG. 1;
FIG. 4 is a rear elevational view of the face cleaning bowl of FIG. 1; and,
FIG. 5 is a bottom perspective view of the face cleaning bowl of FIG. 1.
The broken lines depict portions of the face cleaning bowl that form no part of the claimed design.

1 Claim, 3 Drawing Sheets



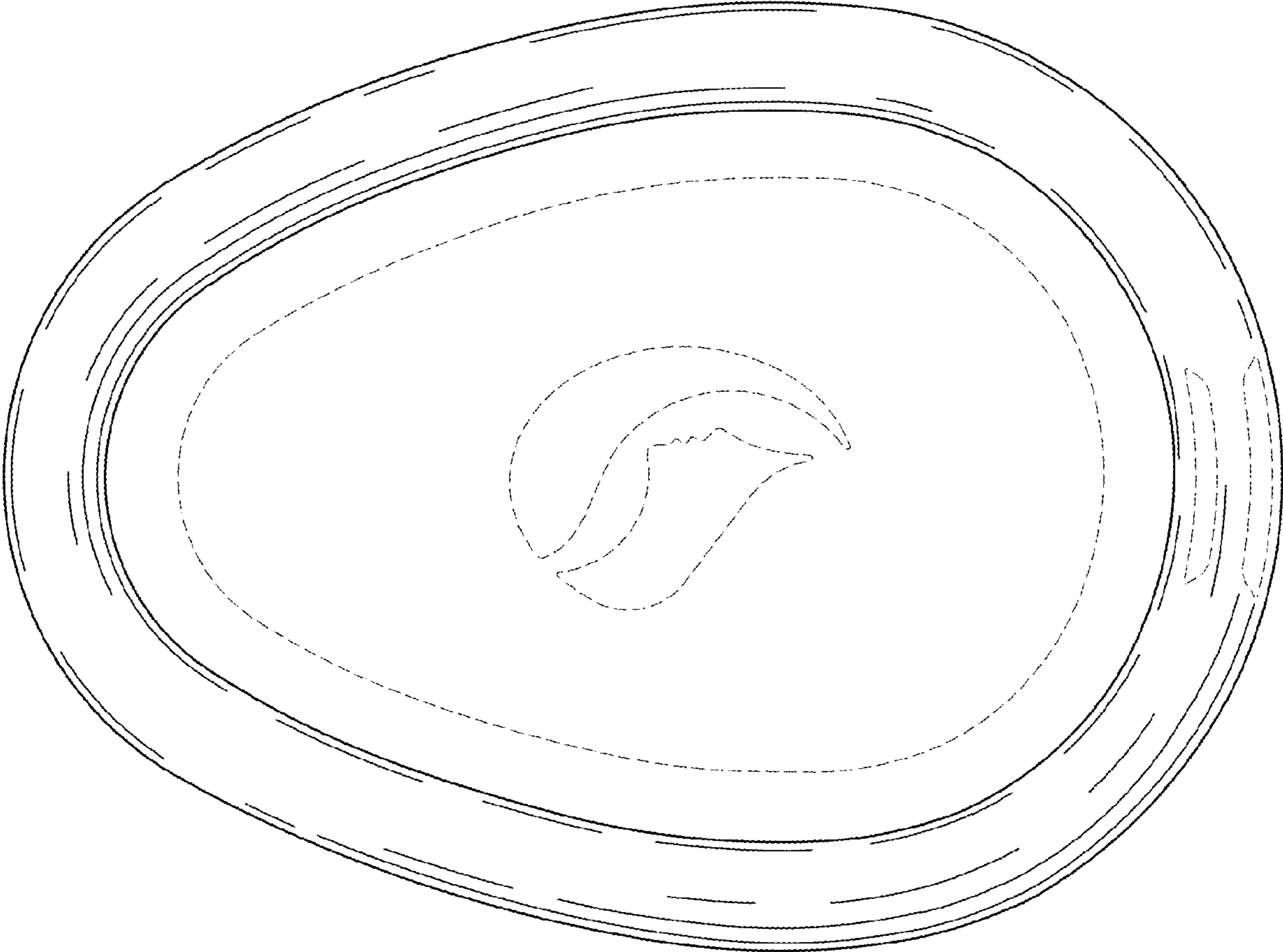


FIG. 1

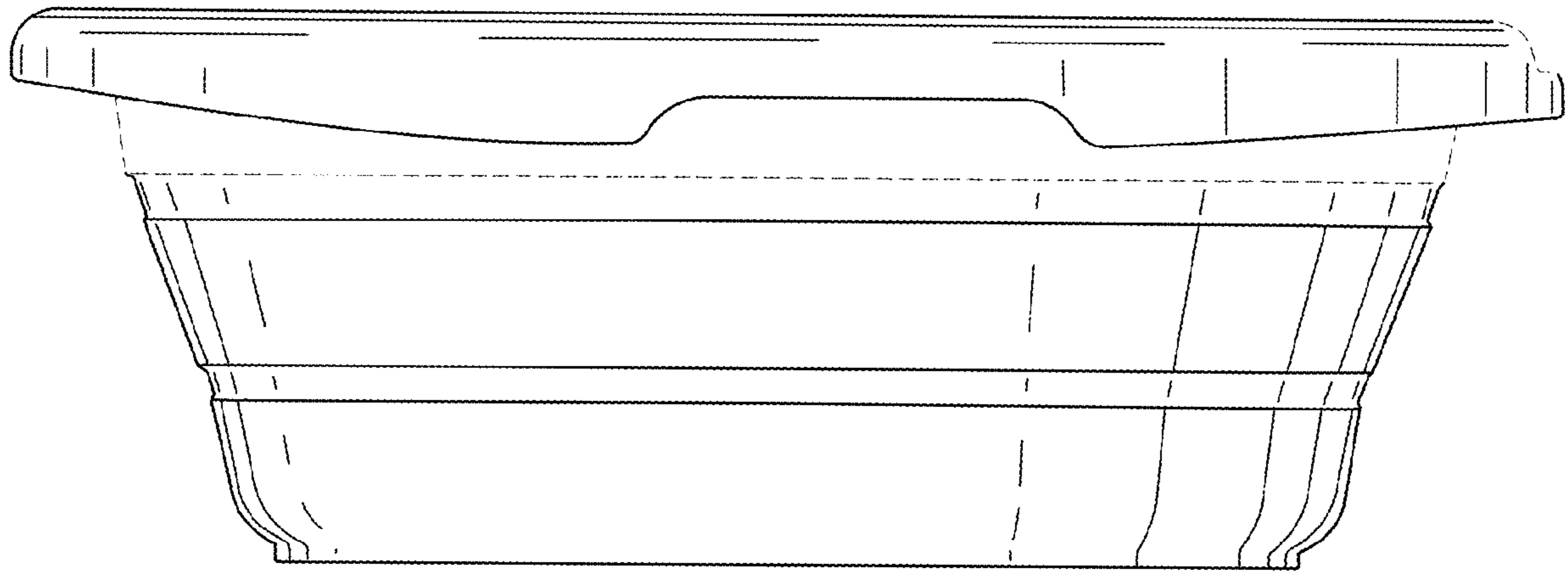


FIG. 2

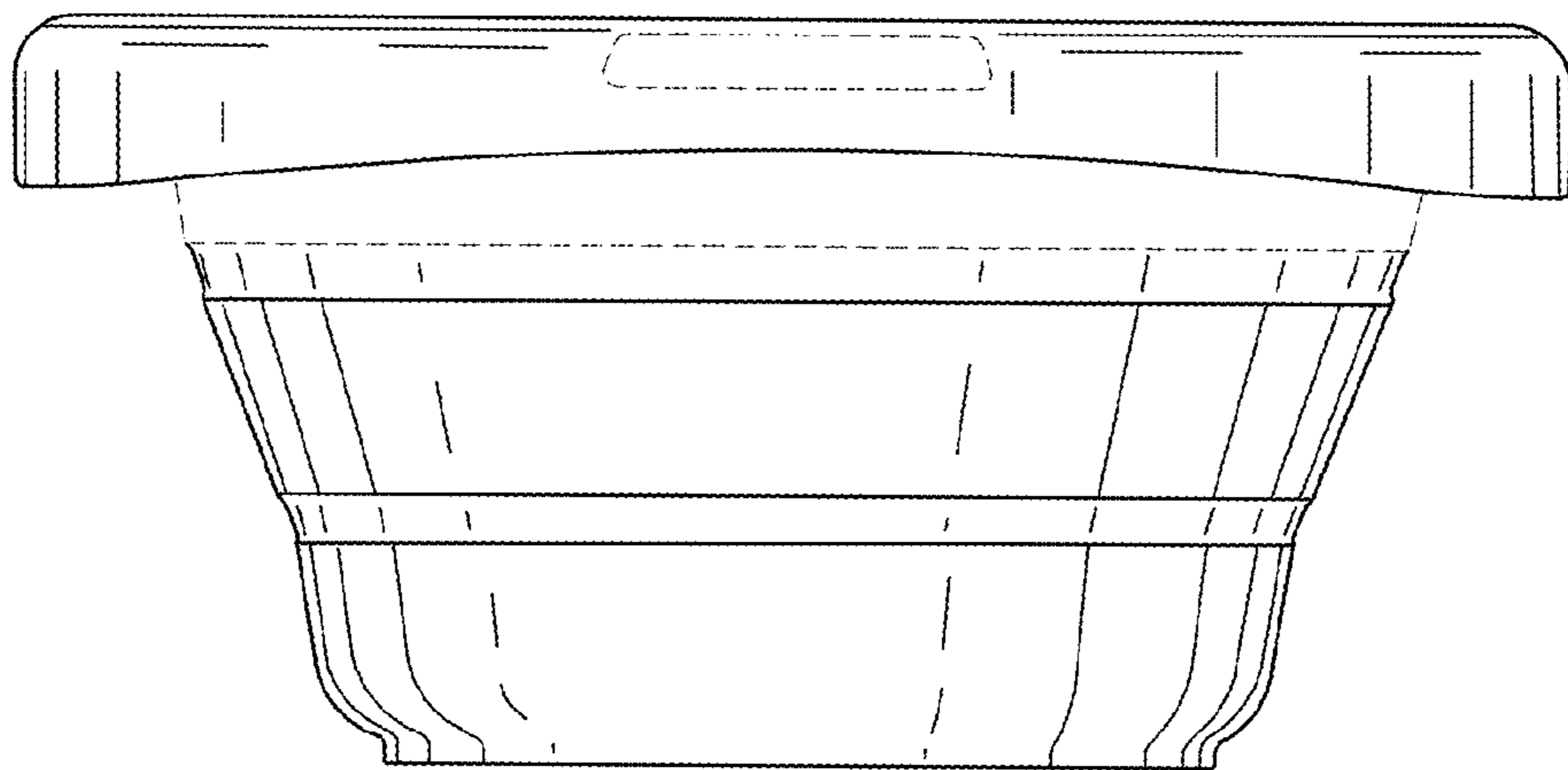


FIG. 3

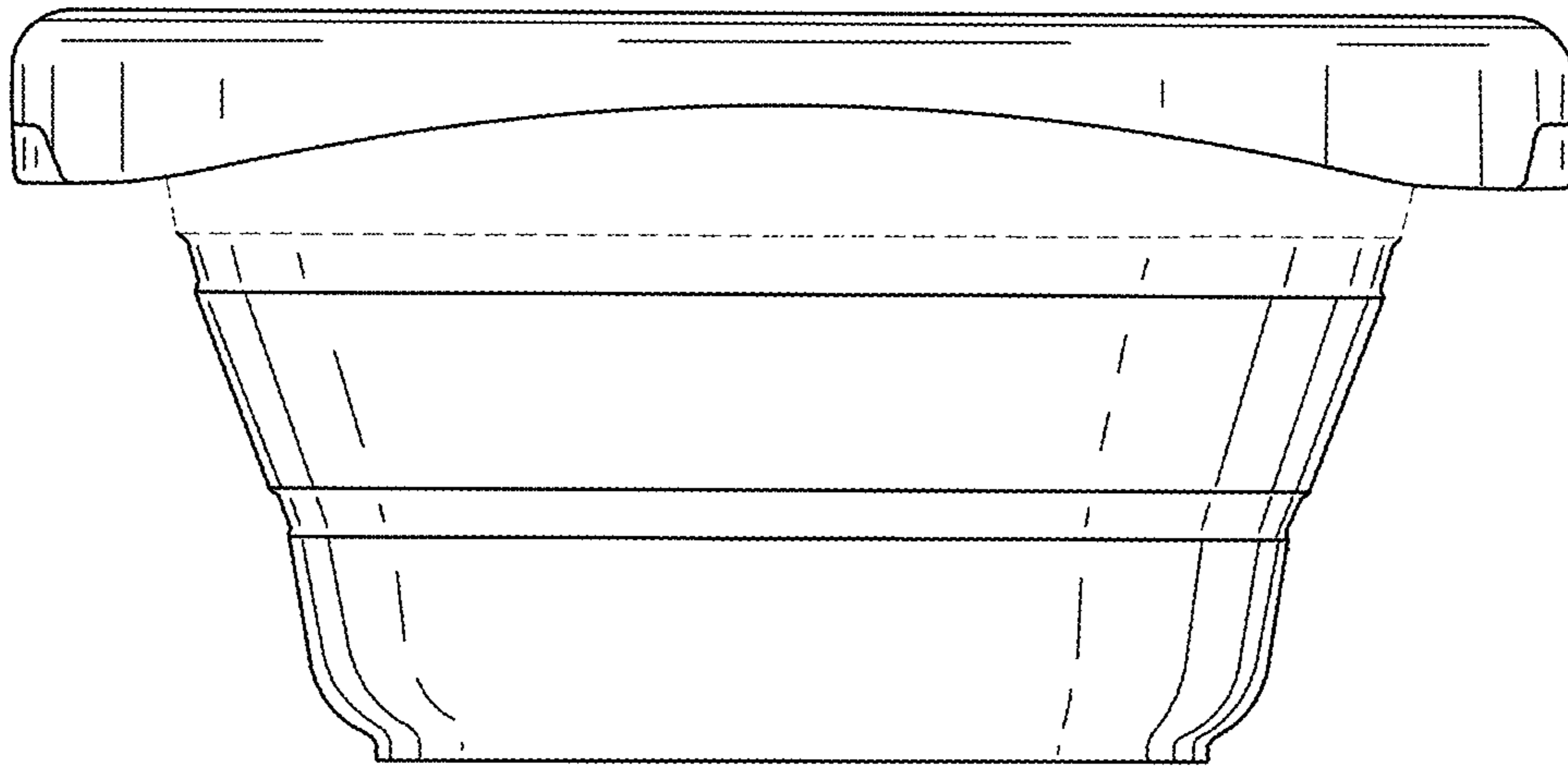


FIG. 4

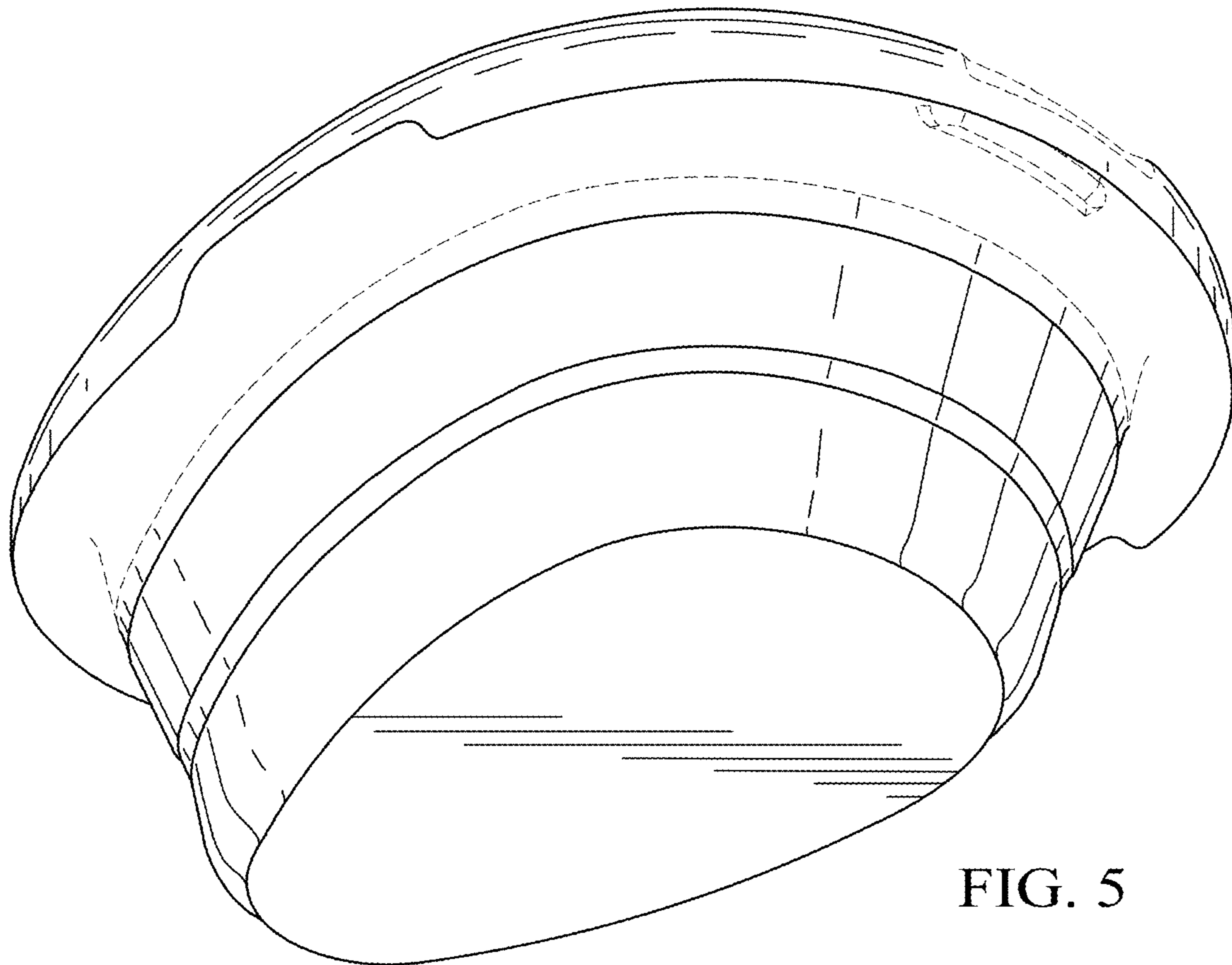


FIG. 5