



US00D980439S

(12) **United States Design Patent**
Li

(10) **Patent No.:** **US D980,439 S**

(45) **Date of Patent:** **** Mar. 7, 2023**

(54) **BEAUTY INSTRUMENT**

(71) Applicant: **Hongji Li**, Shenzhen (CN)

(72) Inventor: **Hongji Li**, Shenzhen (CN)

(73) Assignee: **Hongji Li**, Shenzhen (CN)

(**) Term: **15 Years**

(21) Appl. No.: **29/848,785**

(22) Filed: **Aug. 5, 2022**

(51) **LOC (14) Cl.** **24-01**

(52) **U.S. Cl.**

USPC **D24/200**

(58) **Field of Classification Search**

USPC D24/200, 214–215, 170, 186, 144, 107

CPC A61N 1/328; A61N 1/36; A61N 1/36021;

A61N 5/0616; A61N 2007/0034; A61H

7/00; A61H 7/001; A61H 7/003; A61H

7/004; A61H 7/005; A61H 7/007; A61H

7/008; A61H 15/0078; A61H 15/0085;

A61H 15/0092; A61H 39/002; A61H

39/00; A61H 2201/0153; A61H

2201/0157; A61H 2201/1253; A61H

2205/082

See application file for complete search history.

(56) **References Cited**

U.S. PATENT DOCUMENTS

D298,455 S * 11/1988 Giove D24/200

D326,920 S * 6/1992 Ridolfo D24/200

D706,435 S *	6/2014	Weng	D24/200
D794,209 S *	8/2017	Hsieh	D24/200
D866,778 S *	11/2019	Liu	D24/200
D866,779 S	11/2019	Liu		
D903,132 S *	11/2020	Shavit	D24/200
D903,133 S *	11/2020	Shavit	D24/200
D915,611 S *	4/2021	Probst	D24/200
D950,081 S *	4/2022	Lam	D24/200
D967,969 S *	10/2022	Jin	D24/200
2019/0151674 A1 *	5/2019	Yoon	A61N 5/0616
2022/0032050 A1 *	2/2022	Liu	A61N 5/0616

* cited by examiner

Primary Examiner — Wan Laymon

(74) *Attorney, Agent, or Firm* — Nitin Kaushik

(57) **CLAIM**

The ornamental design for a beauty instrument, shown and described.

DESCRIPTION

FIG. 1 is a front view of a beauty instrument, showing my new design;

FIG. 2 is a rear view thereof;

FIG. 3 is a left side view thereof;

FIG. 4 is a right side view thereof;

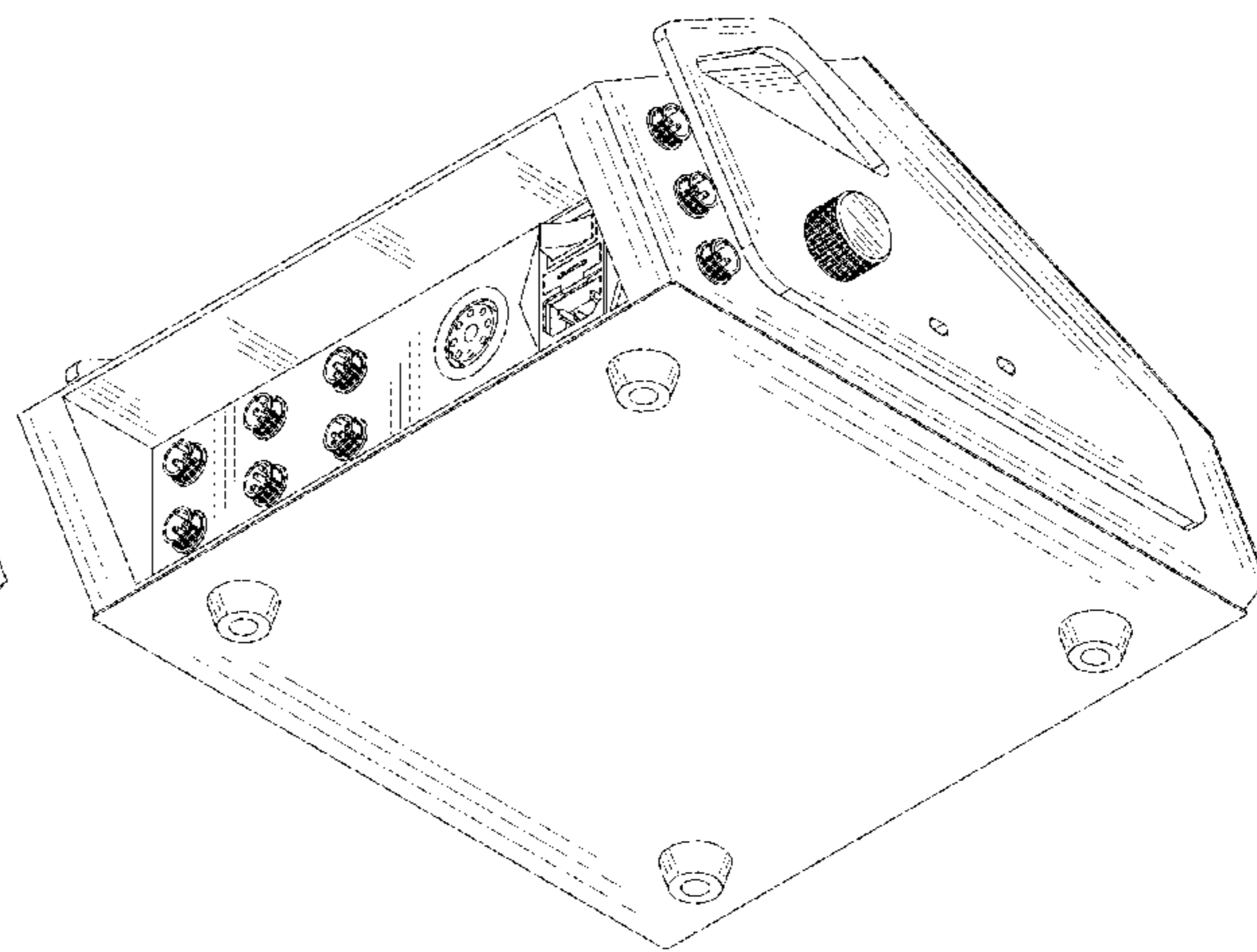
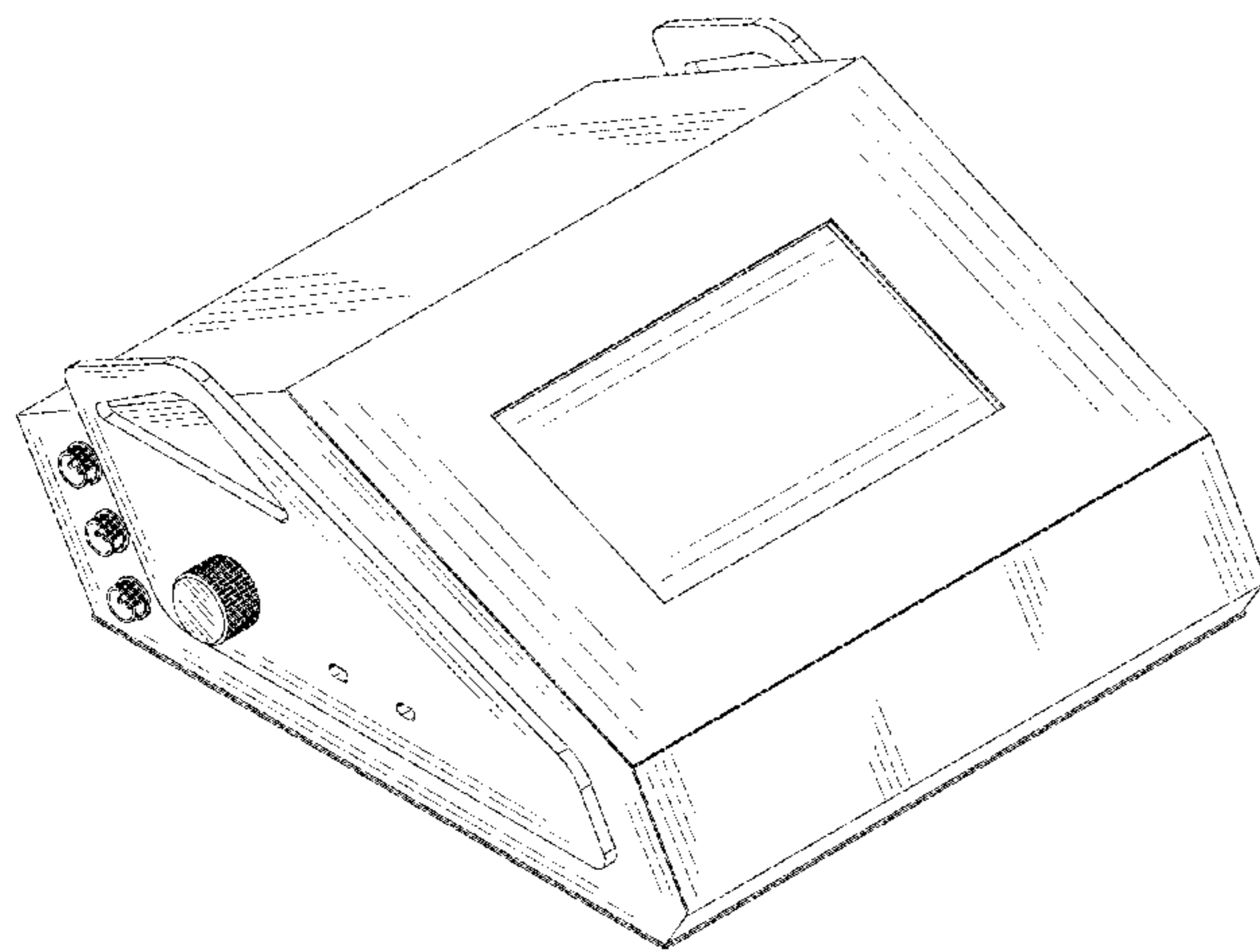
FIG. 5 is a top view thereof;

FIG. 6 is a bottom view thereof;

FIG. 7 is a top perspective view thereof; and,

FIG. 8 is a bottom perspective view thereof.

1 Claim, 8 Drawing Sheets



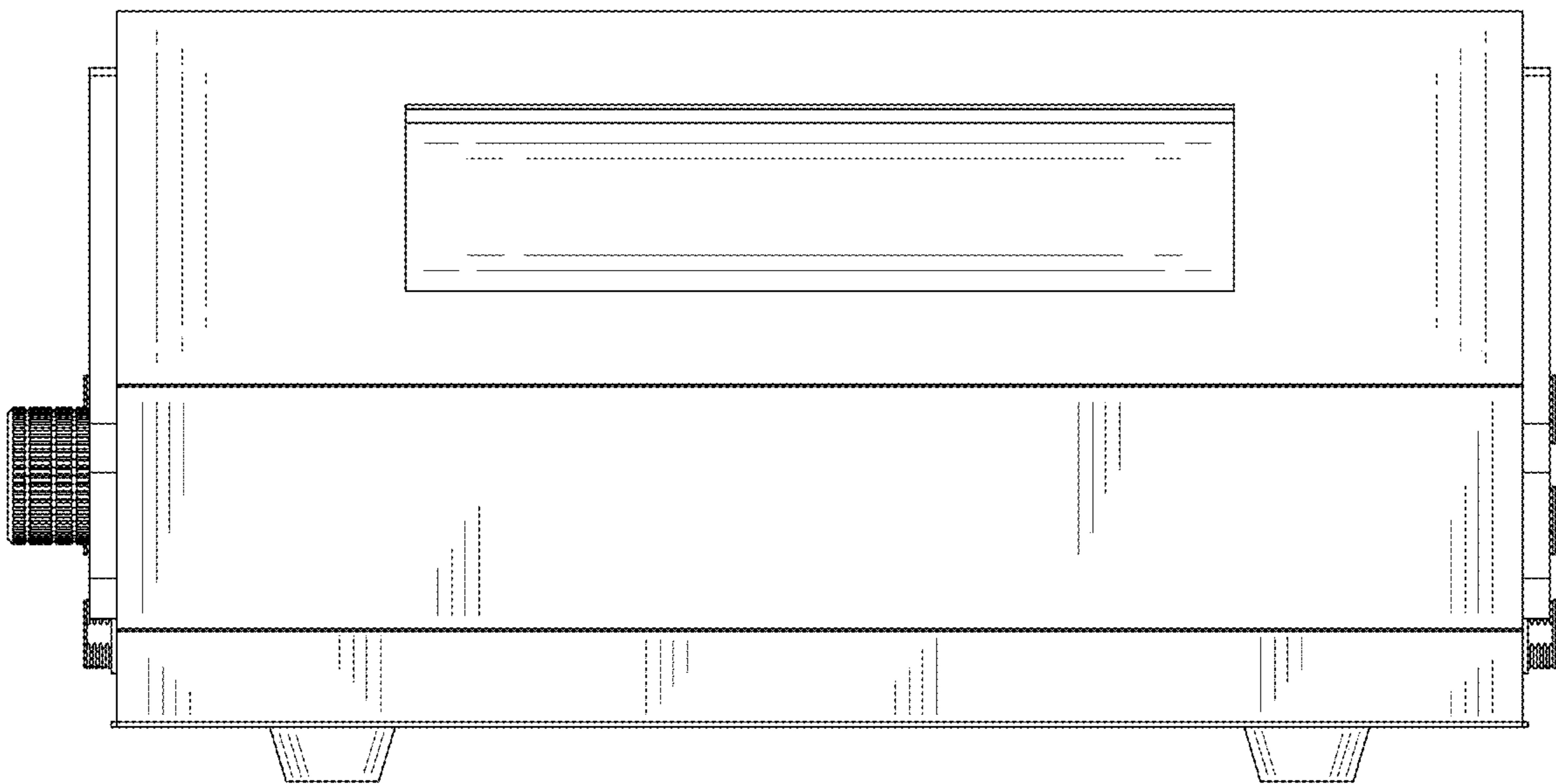


FIG. 1

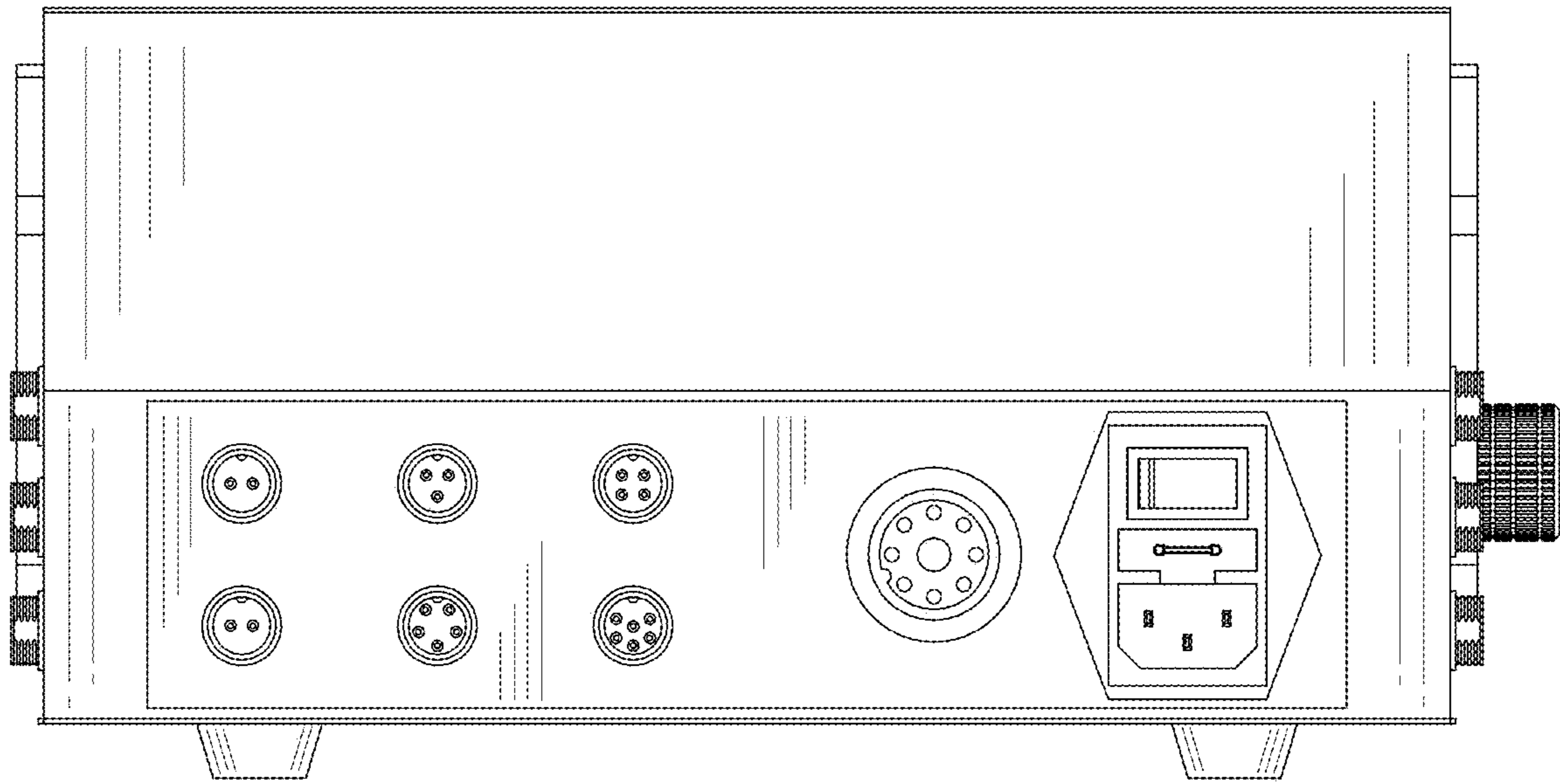


FIG. 2

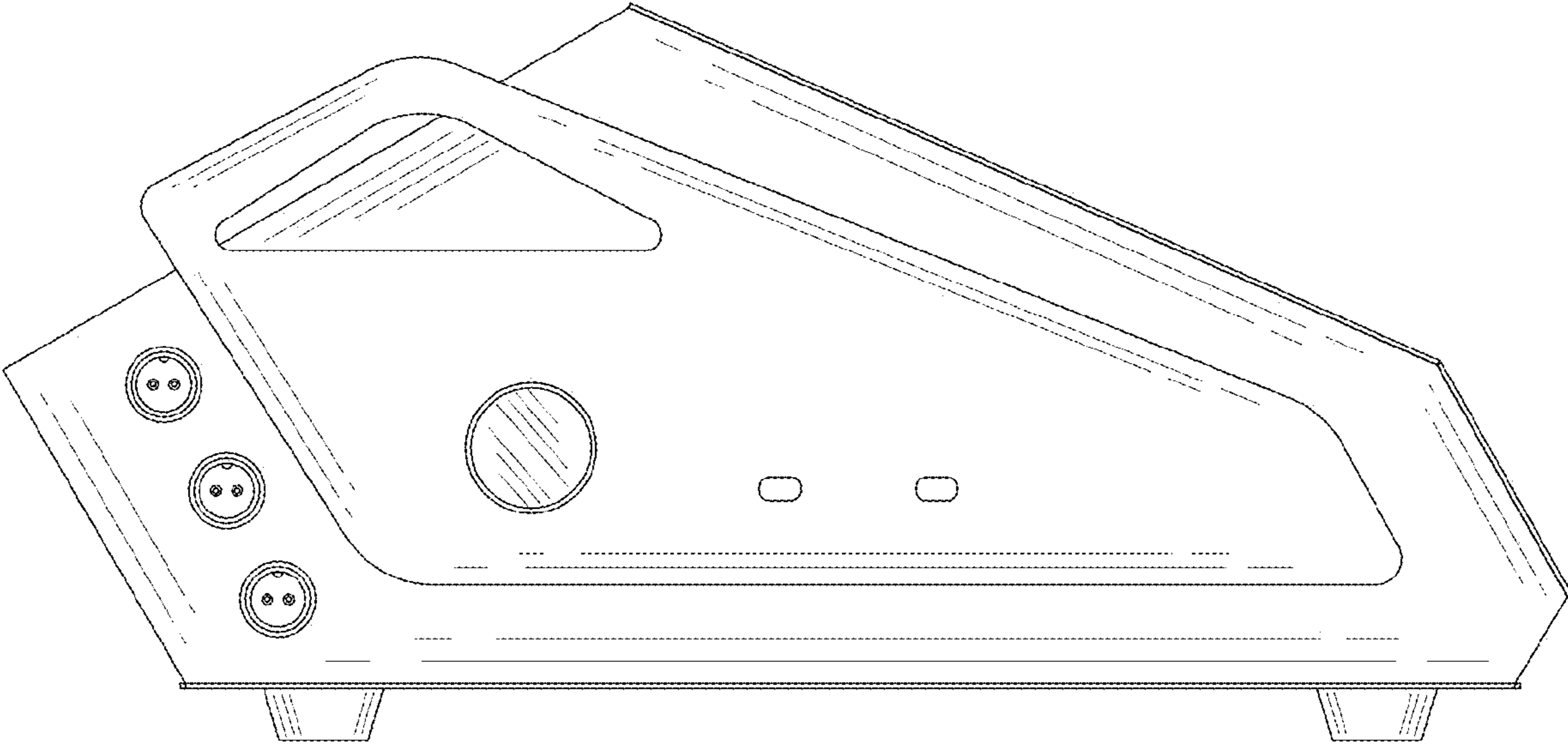


FIG. 3

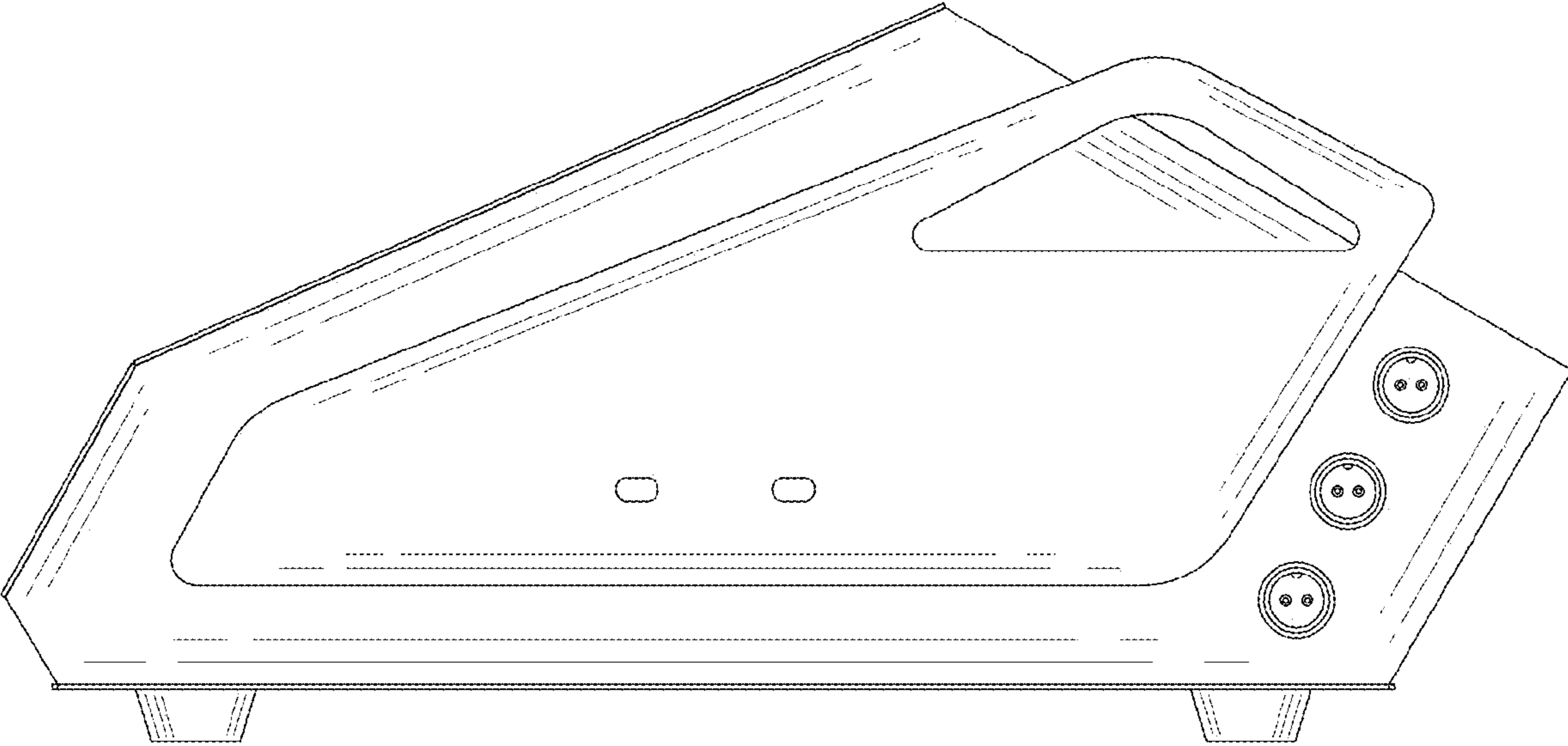


FIG. 4

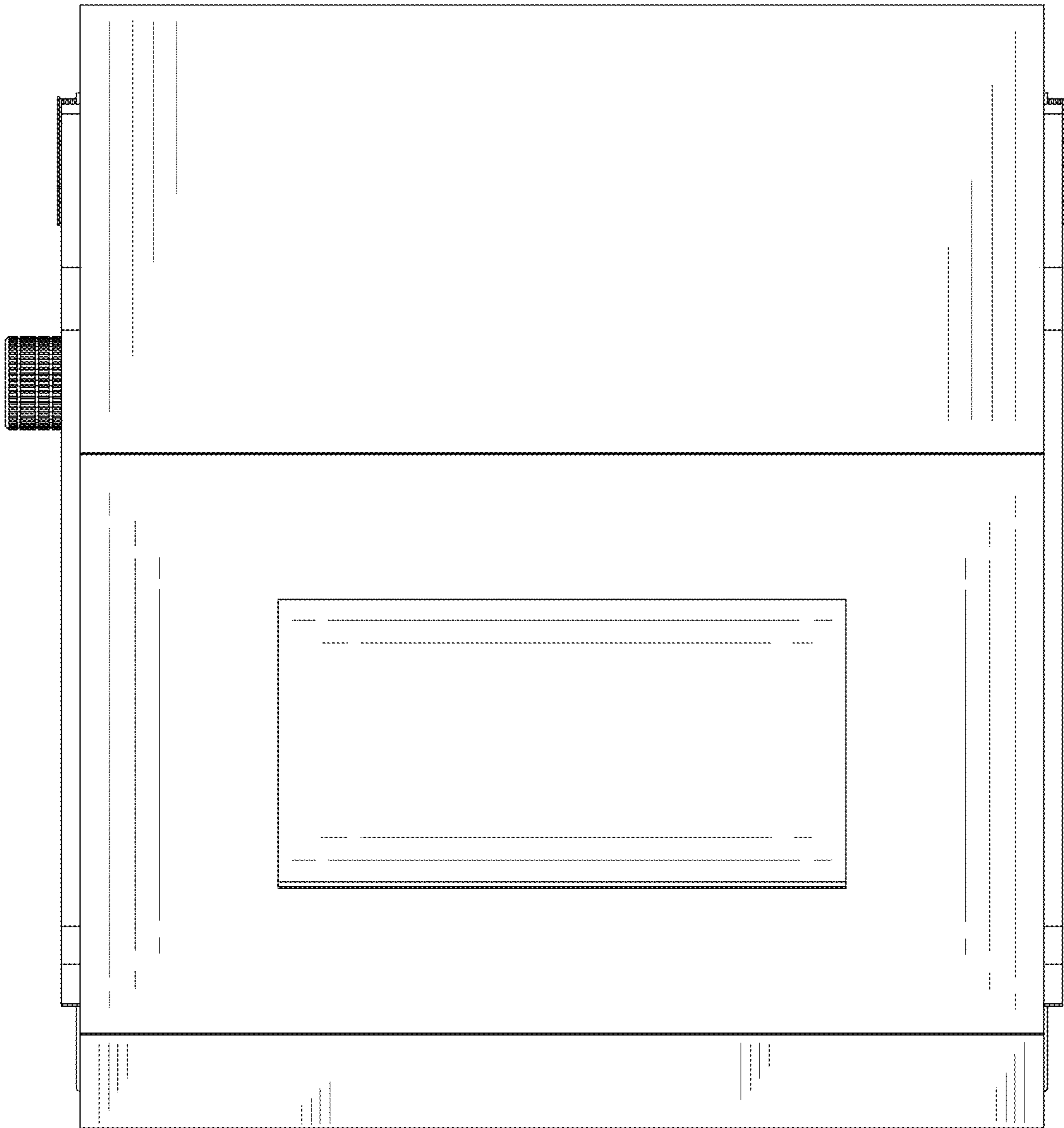


FIG. 5

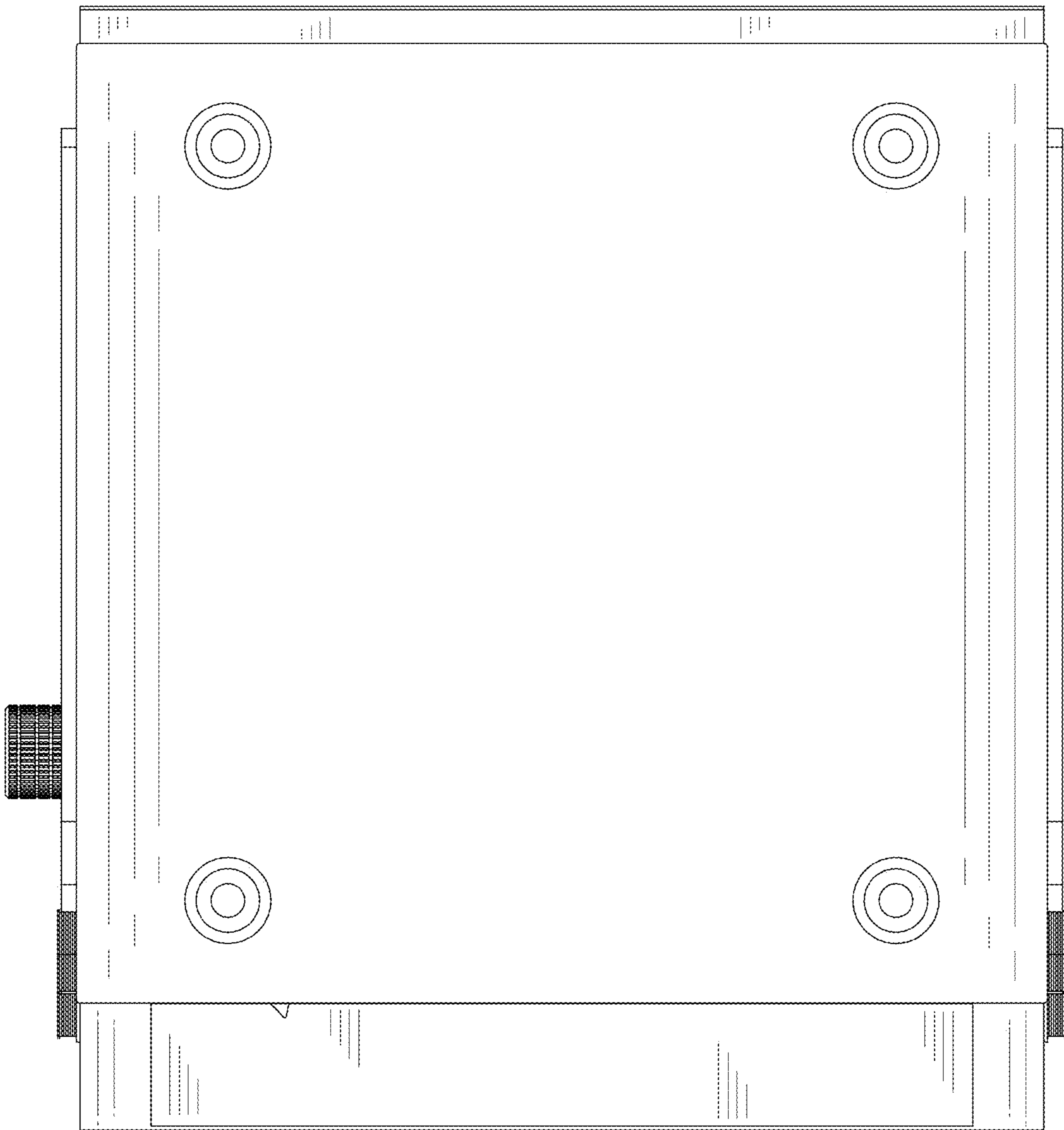


FIG. 6

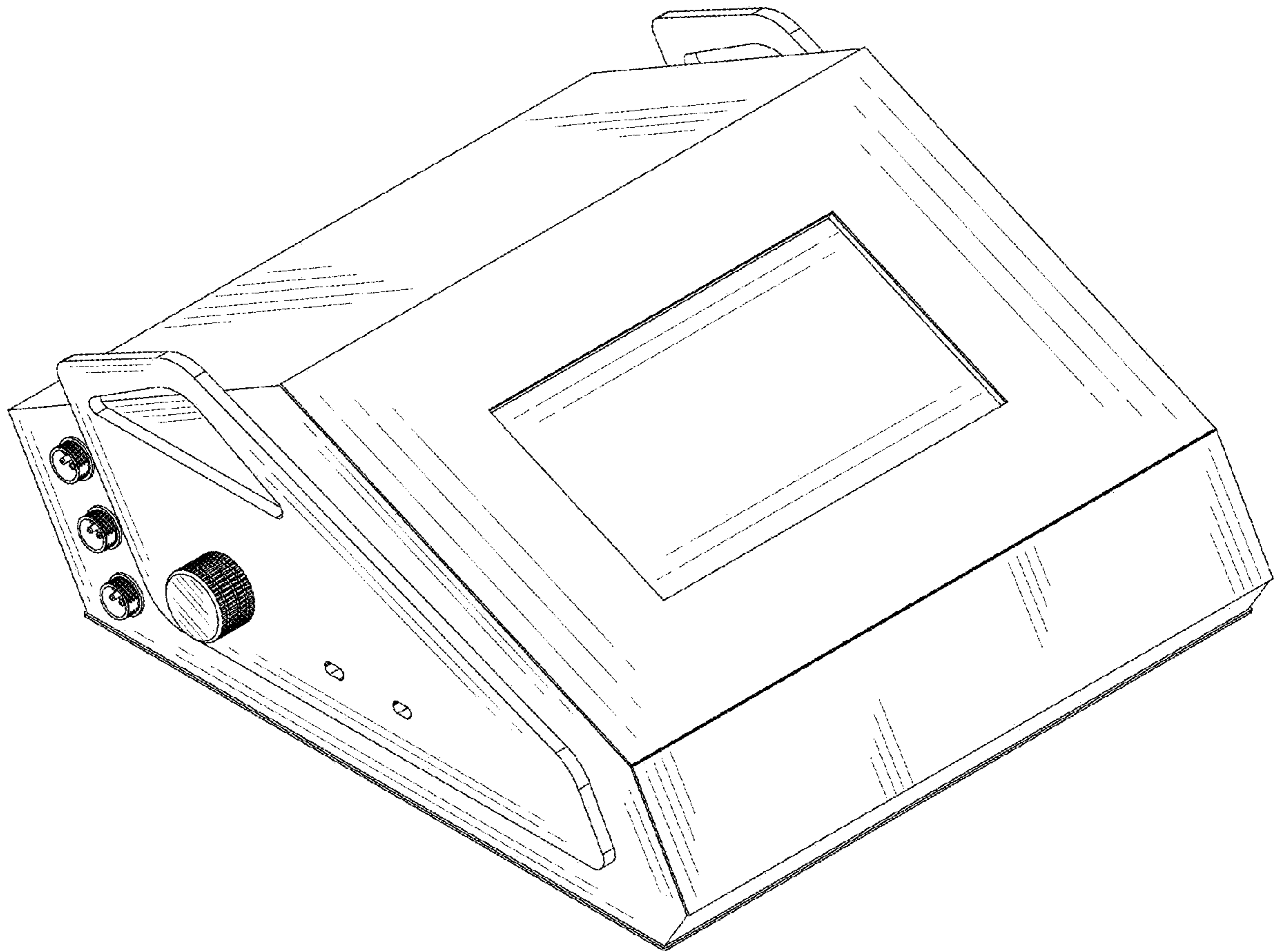


FIG. 7

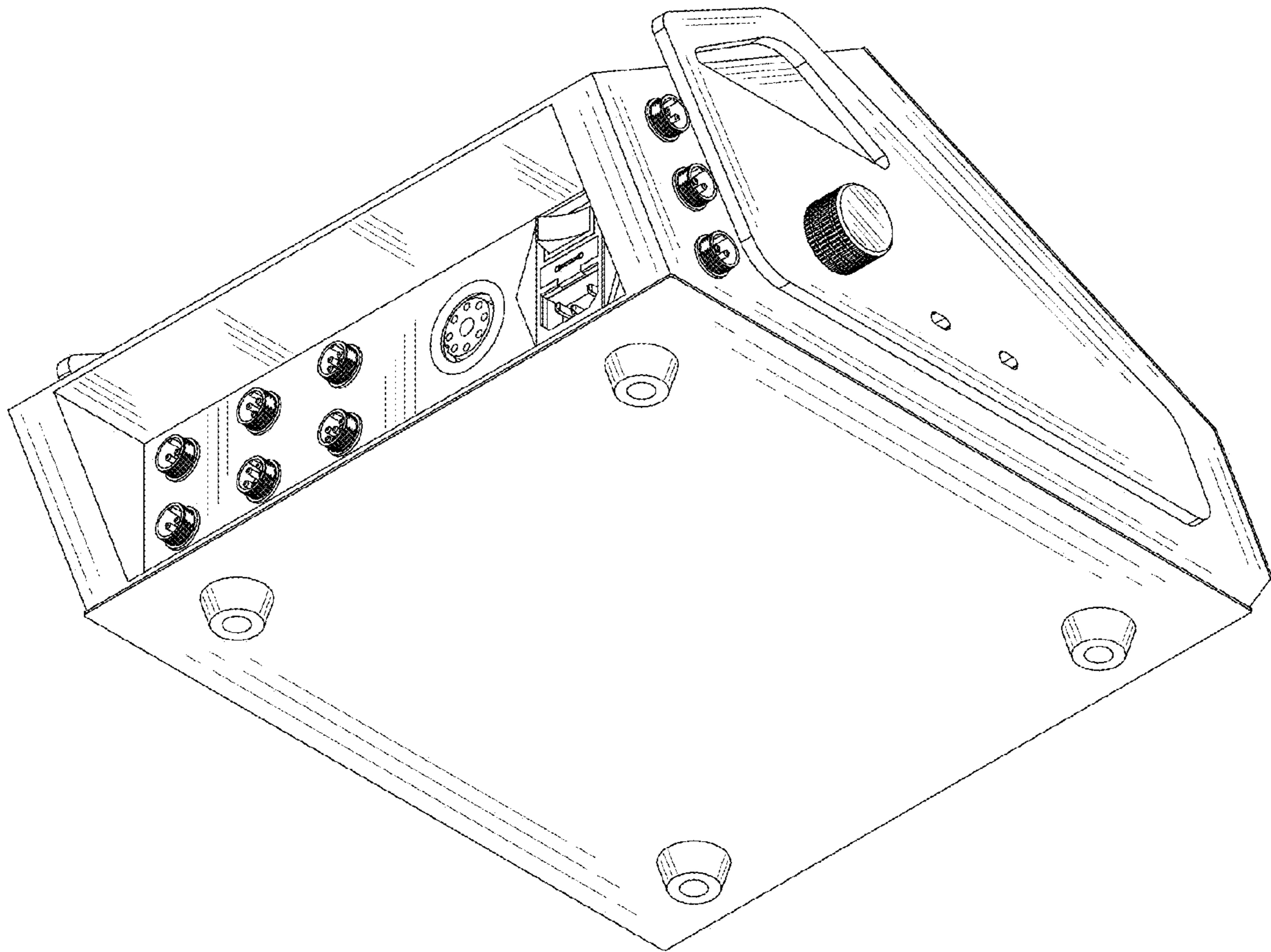


FIG. 8