



US00D980437S

(12) **United States Design Patent** (10) **Patent No.:** **US D980,437 S**
Kulas et al. (45) **Date of Patent:** **** Mar. 7, 2023**

(54) **HEAD HOLDER**

- (71) Applicant: **GE Precision Healthcare LLC**,
Wauwatosa, WI (US)
- (72) Inventors: **Ronald George Kulas**, Delafield, WI (US); **Michelle DeLong Samalik**, Milwaukee, WI (US); **Sharon Ghelman**, Hollywood, FL (US); **Kelly Vonderhaar Kaiser**, Wauwatosa, WI (US)
- (73) Assignee: **GE Precision Healthcare LLC**,
Wauwatosa, WI (US)
- (**) Term: **15 Years**
- (21) Appl. No.: **29/822,378**
- (22) Filed: **Jan. 7, 2022**

Related U.S. Application Data

- (62) Division of application No. 29/731,209, filed on Apr. 13, 2020.
- (51) **LOC (14) Cl.** **24-02**
- (52) **U.S. Cl.**
USPC **D24/191**
- (58) **Field of Classification Search**
USPC D24/190, 191, 183, 184, 188, 200, 211;
D6/716.5

(Continued)

(56) **References Cited**

U.S. PATENT DOCUMENTS

- 3,729,063 A * 4/1973 Hein E06C 1/381
182/189
- D299,380 S * 1/1989 Wang D8/382

(Continued)

FOREIGN PATENT DOCUMENTS

- CN 305854101 6/2020
- CN 306833650 * 9/2021

OTHER PUBLICATIONS

ULNY-013-8-C Fastener, Adjustable Ladder, Screw Mount Cable Clamp, ABB Thomas & Betts, Newark.com, [Post date unknown], [Site seen Jul. 11, 2022], Seen at URL: <https://www.newark.com/thomas-betts/ulny-013-8-c/cable-clamp-nylon-6-6-grey/dp/74C6102> (Year: 2022).*

(Continued)

Primary Examiner — Natasha Vujcic
Assistant Examiner — Gilbert B Ford

(74) *Attorney, Agent, or Firm* — McCoy Russell LLP

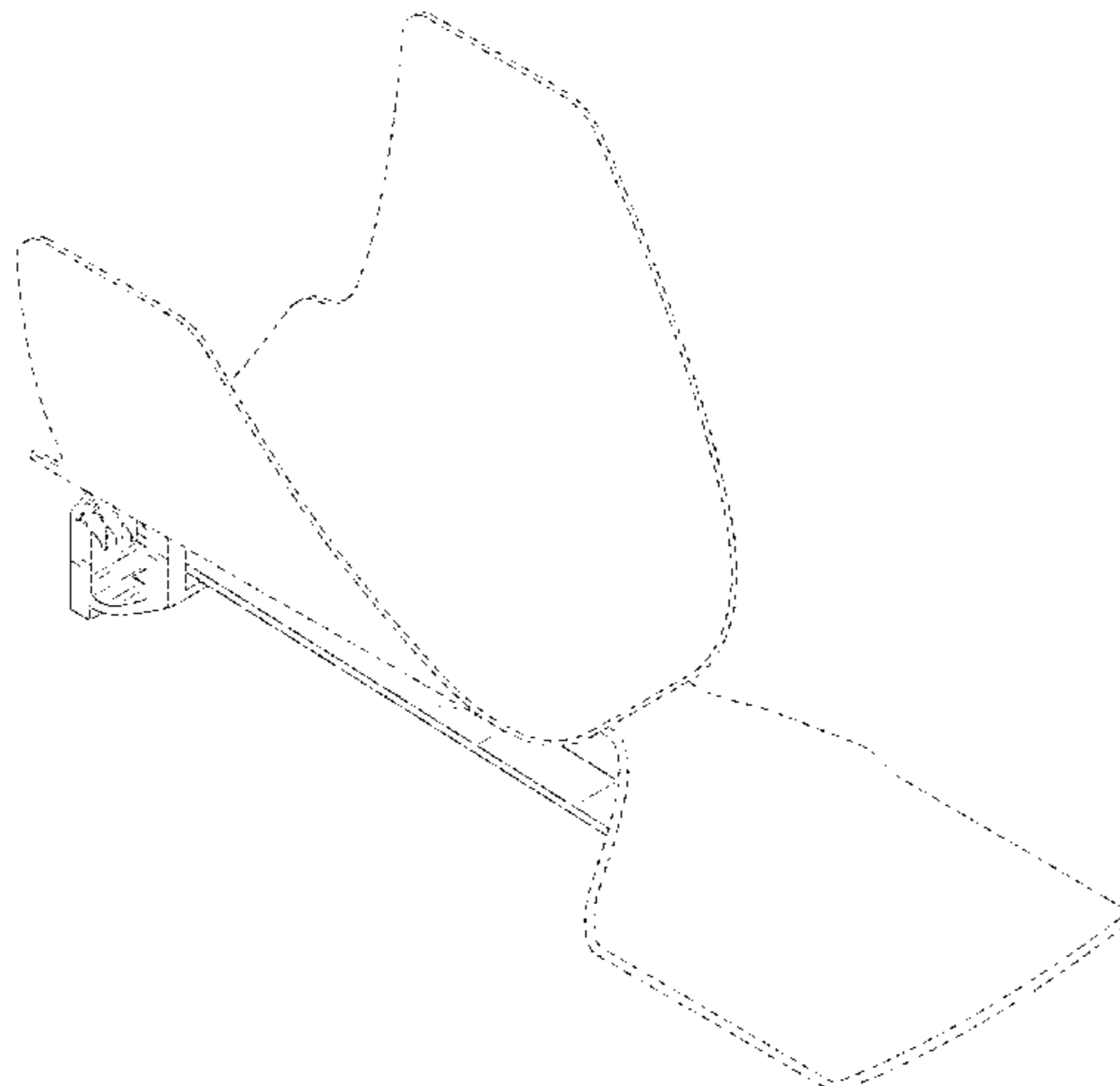
(57) **CLAIM**

The ornamental design for a head holder, as shown and described.

DESCRIPTION

FIG. 1 is a front-right perspective view of a head holder according to the claimed design.
 FIG. 2 is a rear-left perspective view of the head holder.
 FIG. 3 is a front view of the head holder.
 FIG. 4 is a rear view of the head holder.
 FIG. 5 is a left side view of the head holder.
 FIG. 6 is a right side view of the head holder.
 FIG. 7 is a top view of the head holder.
 FIG. 8 is a bottom view of the head holder.
 FIG. 9 is cross-sectional view of the head holder taken along line 9-9 in FIG. 7; and,
 FIG. 10 is an enlarged view of the encircled portion in FIG. 9.
 The dash-dash broken lines in the drawings illustrate portions of the head holder that form no part of the claimed design.
 The dash-dot broken lines in FIGS. 7 and 9-10 showing the section line and encircled portions form no part of the claimed design.
 The dash-dot-dot broken lines in FIGS. 9-10 define the bounds of the claim and form no part thereof.

(Continued)



The oblique broken line hatch shading in FIGS. 9-10 illustrates interior portions of the head holder that form no part of the claimed design.

1 Claim, 10 Drawing Sheets

(58) **Field of Classification Search**

CPC ... A61B 6/0407; A61B 6/032; A47B 21/0371; A47C 1/03; A47C 1/143

See application file for complete search history.

(56)

References Cited

U.S. PATENT DOCUMENTS

5,233,713	A	8/1993	Murphy et al.	
D361,383	S	8/1995	Lipson et al.	
D376,428	S	12/1996	Lipson et al.	
6,277,131	B1 *	8/2001	Kalikow	A61B 17/1285 227/19
D639,642	S *	6/2011	Kalbach	D8/383
D650,483	S	12/2011	Roggenkamp	
D653,062	S	1/2012	Sparshott et al.	
D702,534	S *	4/2014	Nowak	D8/355
8,887,331	B2	11/2014	Nakamura et al.	
8,905,637	B2	12/2014	Tybinkowski et al.	
D797,299	S	9/2017	Ruel et al.	
D797,945	S	9/2017	Kim	
D808,536	S	1/2018	Bright	
9,913,620	B2	3/2018	Smith et al.	
10,047,561	B1 *	8/2018	Lanzafame	E06C 7/44

D837,385	S	1/2019	He et al.	
D837,386	S	1/2019	Barber et al.	
D845,494	S	4/2019	Sudell	
D846,973	S *	4/2019	Hohmann, Jr.	D8/382
D888,965	S	6/2020	Zwierstra et al.	
D905,180	S	12/2020	Karvandi	
D908,229	S	1/2021	Wagner et al.	
D911,156	S *	2/2021	Wang	D8/383
D921,203	S	6/2021	Clark et al.	
D934,432	S *	10/2021	Lopez	D24/188
D936,469	S *	11/2021	Zhu	D8/383
D937,075	S *	11/2021	Wilson	D8/377
D937,669	S *	12/2021	Hohmann, Jr.	D8/382
D951,761	S *	5/2022	Boberg	D8/382
2006/0083355	A1	4/2006	Loser	
2013/0272492	A1	10/2013	Tybinkowski et al.	
2016/0374630	A1	12/2016	Smith et al.	
2017/0224117	A1	8/2017	DuFresne et al.	
2018/0094488	A1 *	4/2018	Major	E06C 7/423
2019/0175433	A1	6/2019	Zwierstra et al.	
2020/0037752	A1	2/2020	Davenport et al.	

OTHER PUBLICATIONS

“Are CT scans not carried out fast enough for you?,” Pearl Technology Website, Available Online at http://pearl-technology.ch/storage/app/media/ct_headfix/en/F41-017-EN_CTHeadFix.pdf, Available as Early as Jan. 2020, 2 pages.

“GE Healthcare CT Axial Headholder Insert,” Medline Website, Available Online at <https://www.medline.com/product/CT-Axial-Headholder-Insert-by-GE-Healthcare/Z05-PF120539>, Retrieved on Dec. 9, 2021, 1 page.

* cited by examiner

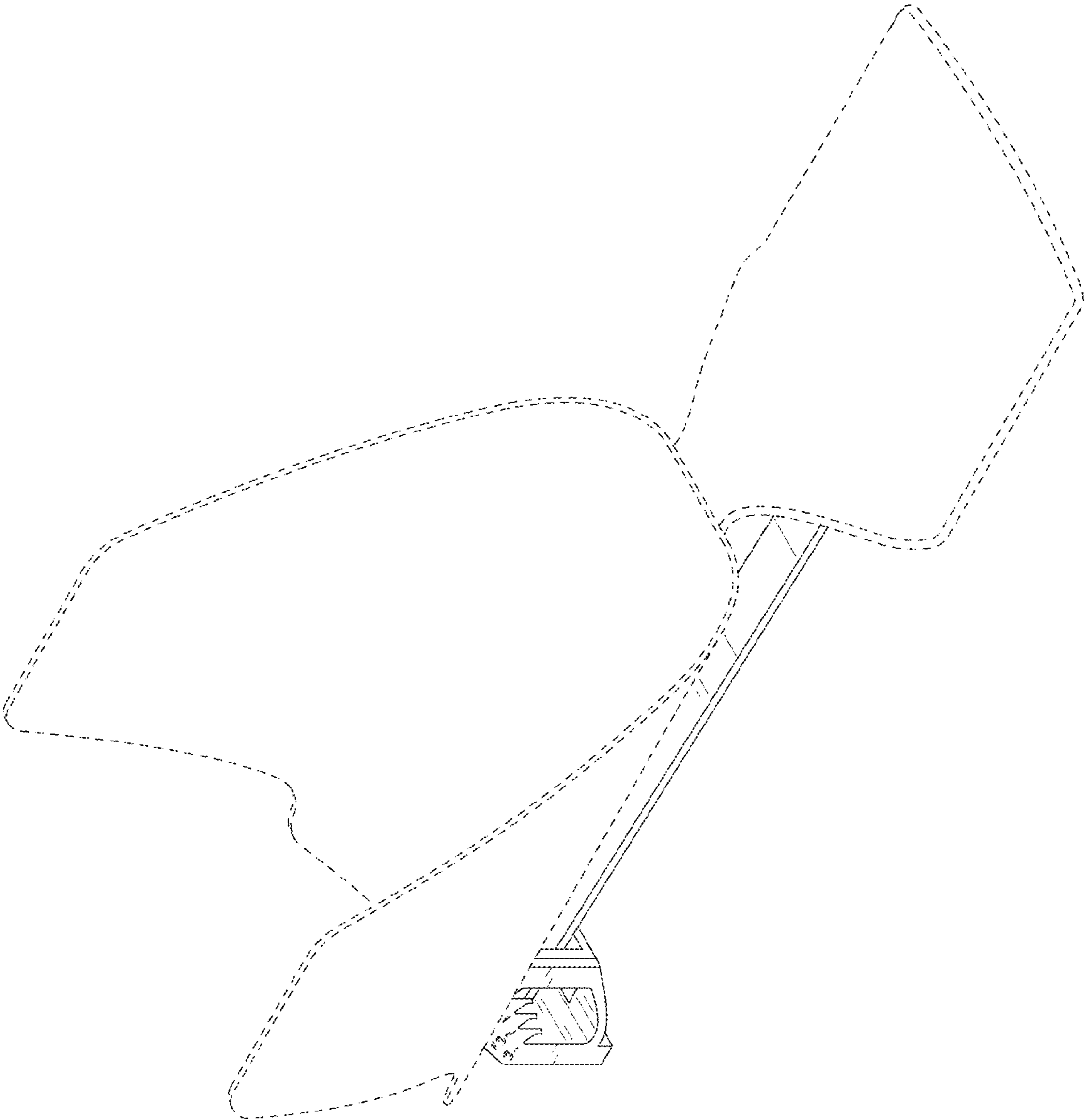


FIG. 1

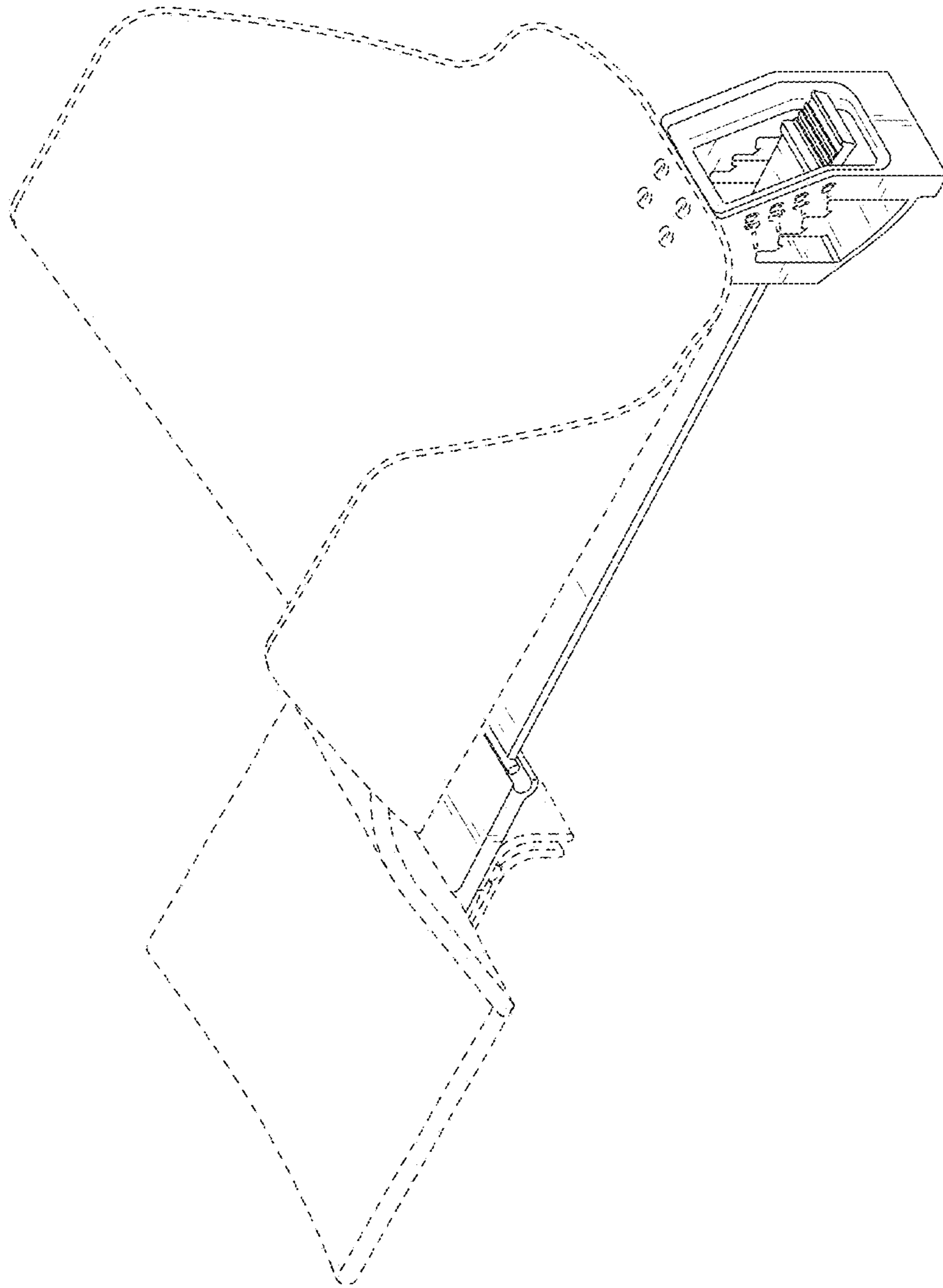


FIG. 2

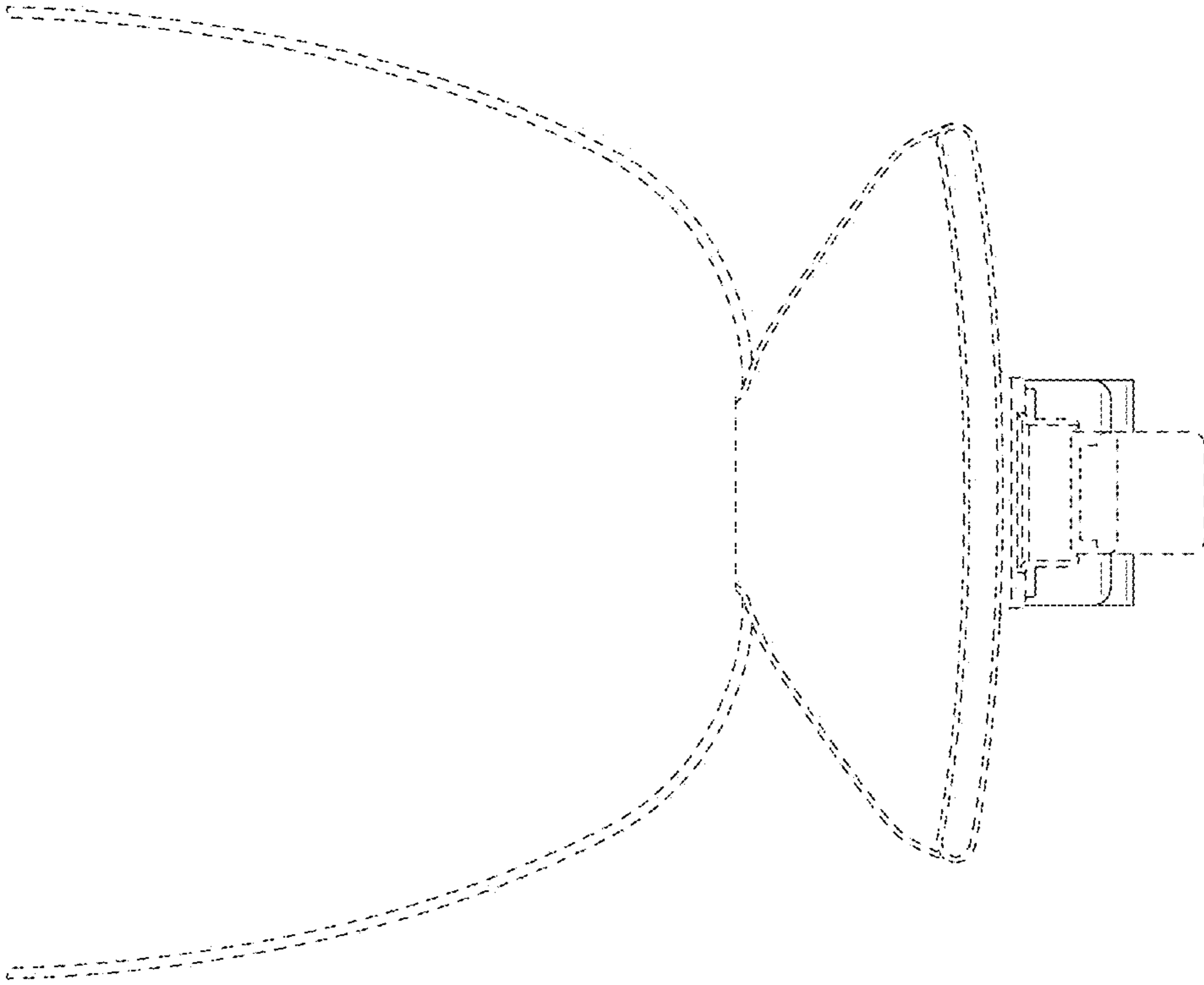


FIG. 3

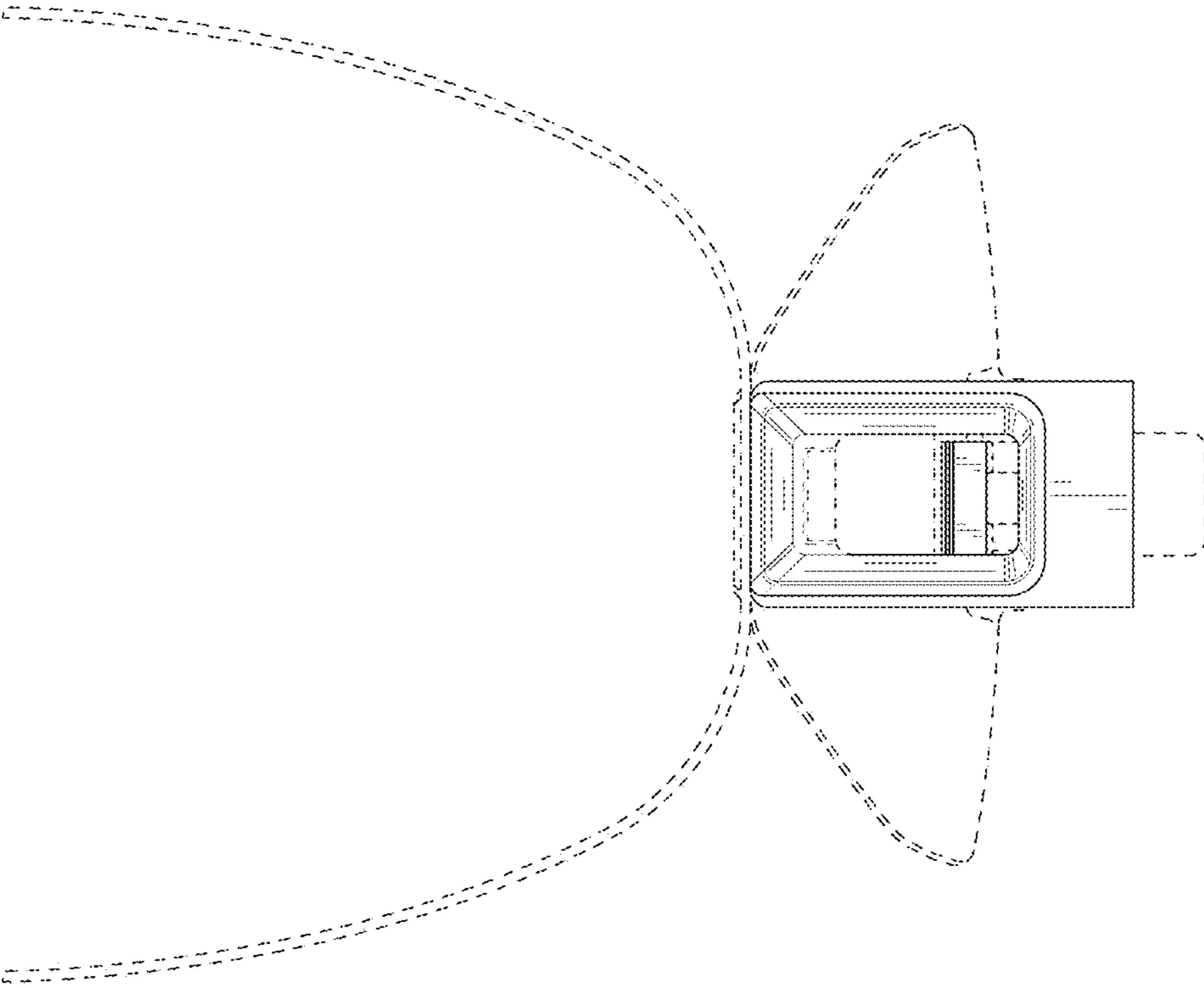


FIG. 4

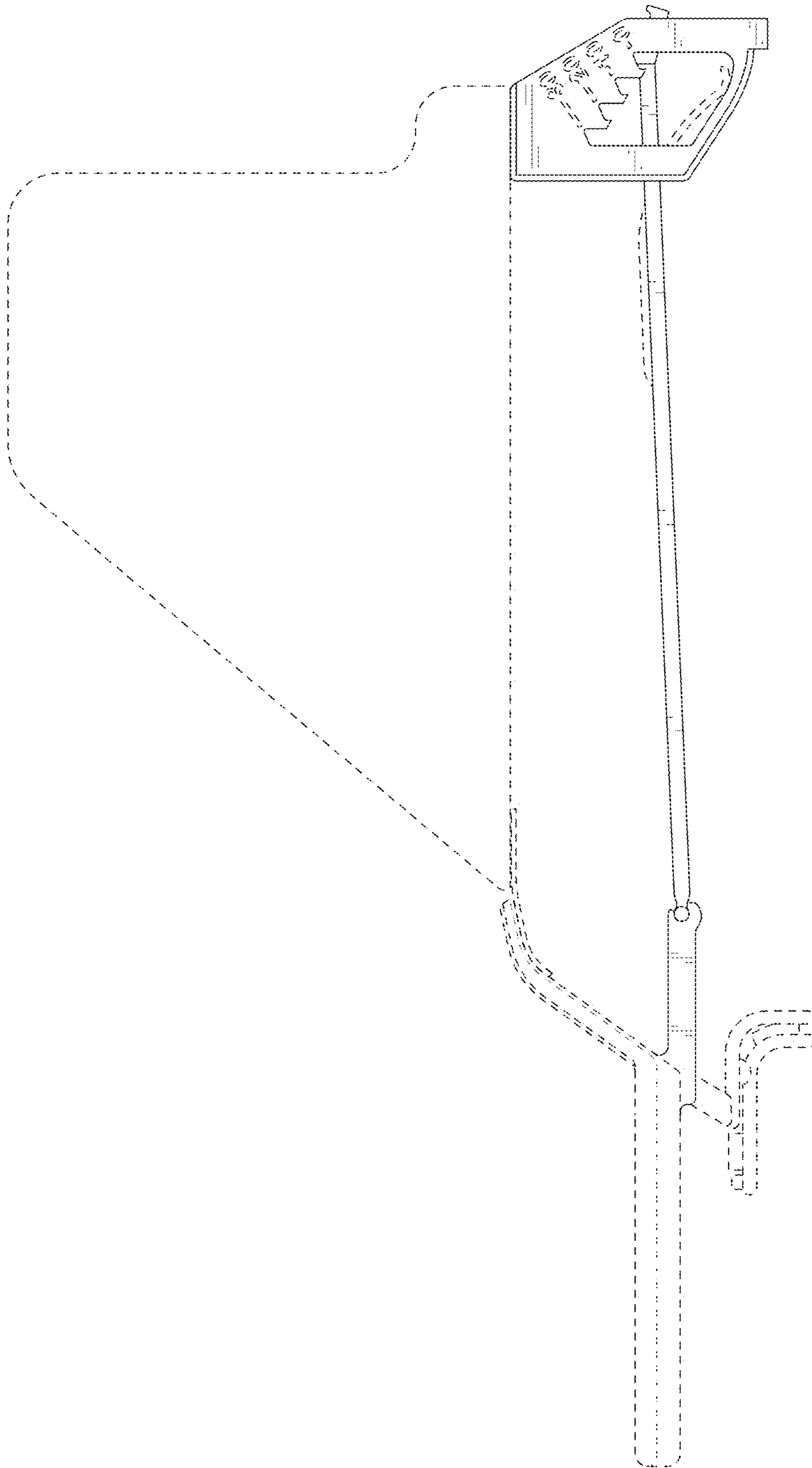


FIG. 5

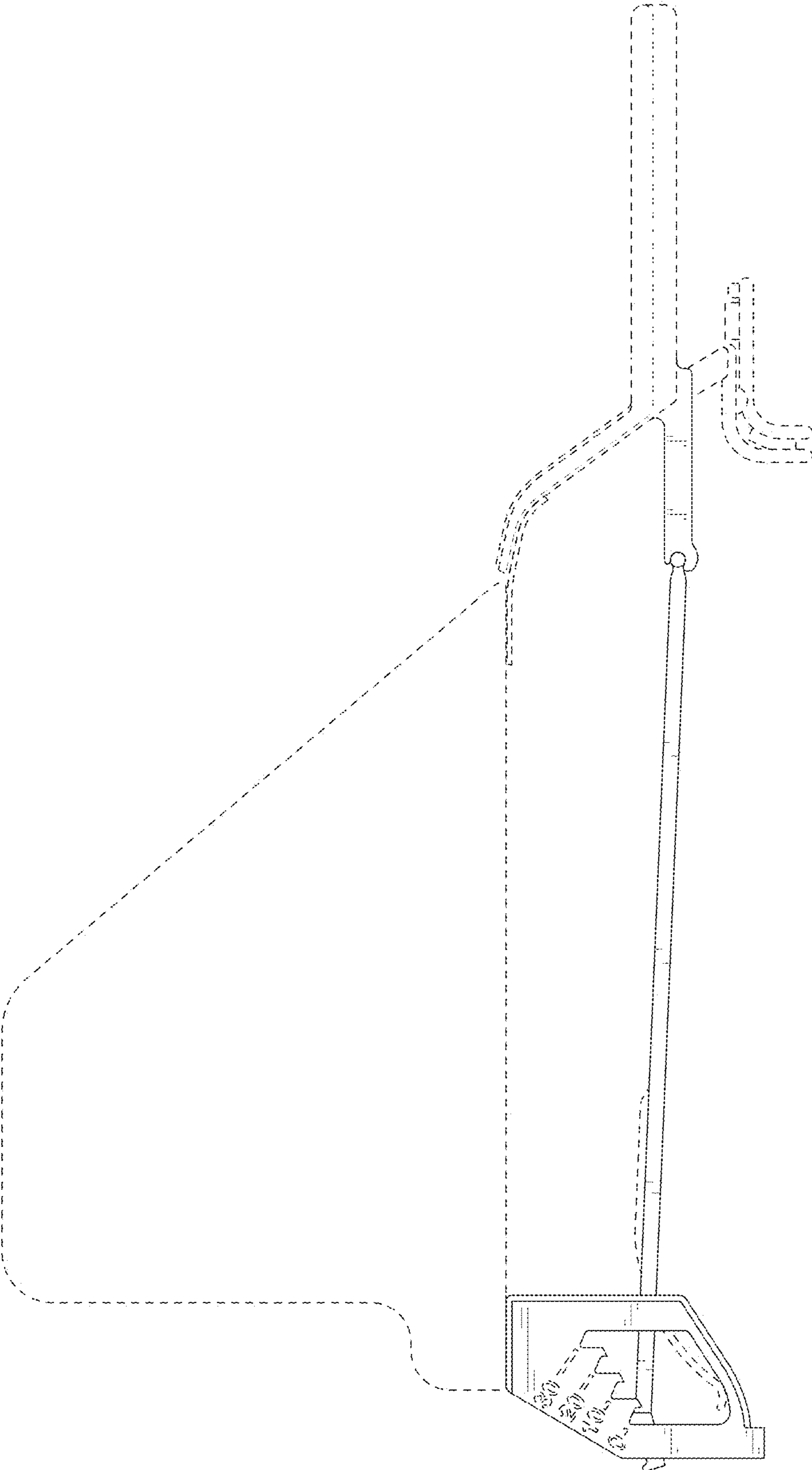


FIG. 6

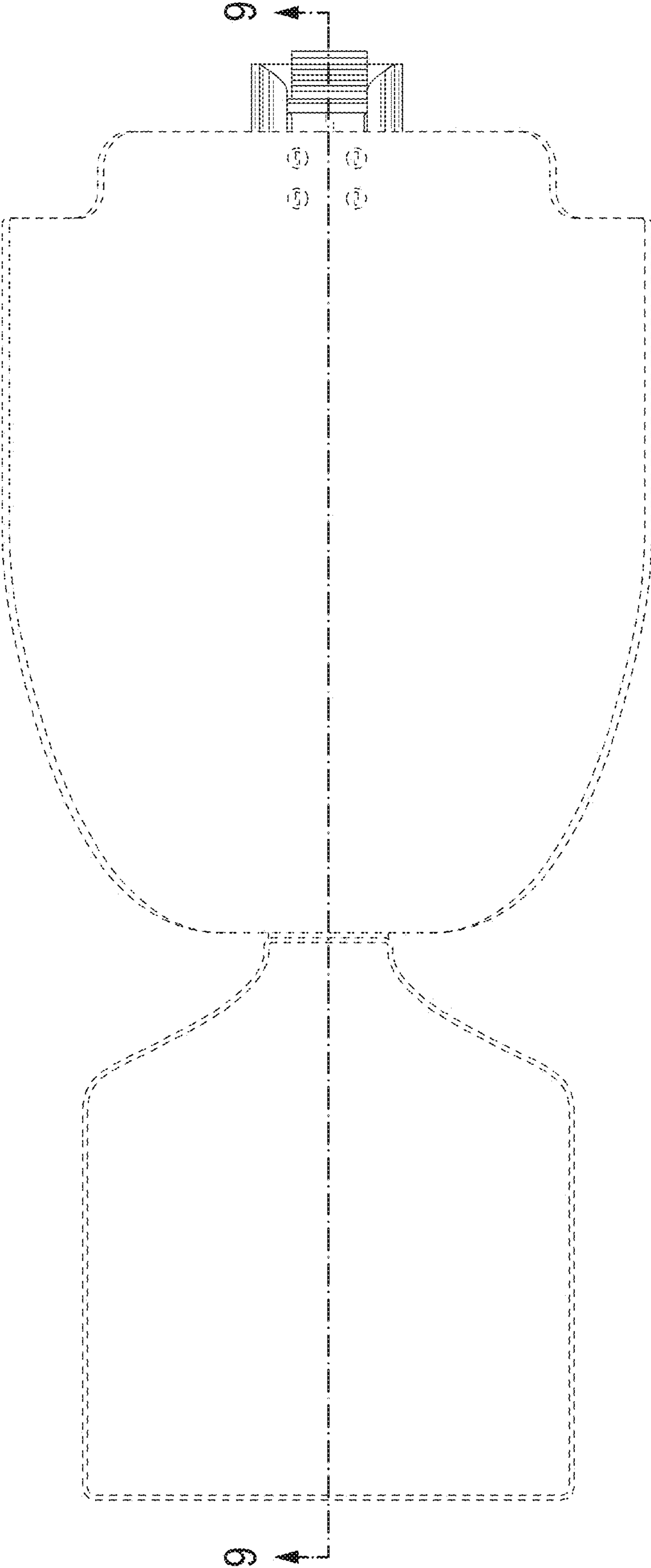


FIG. 7

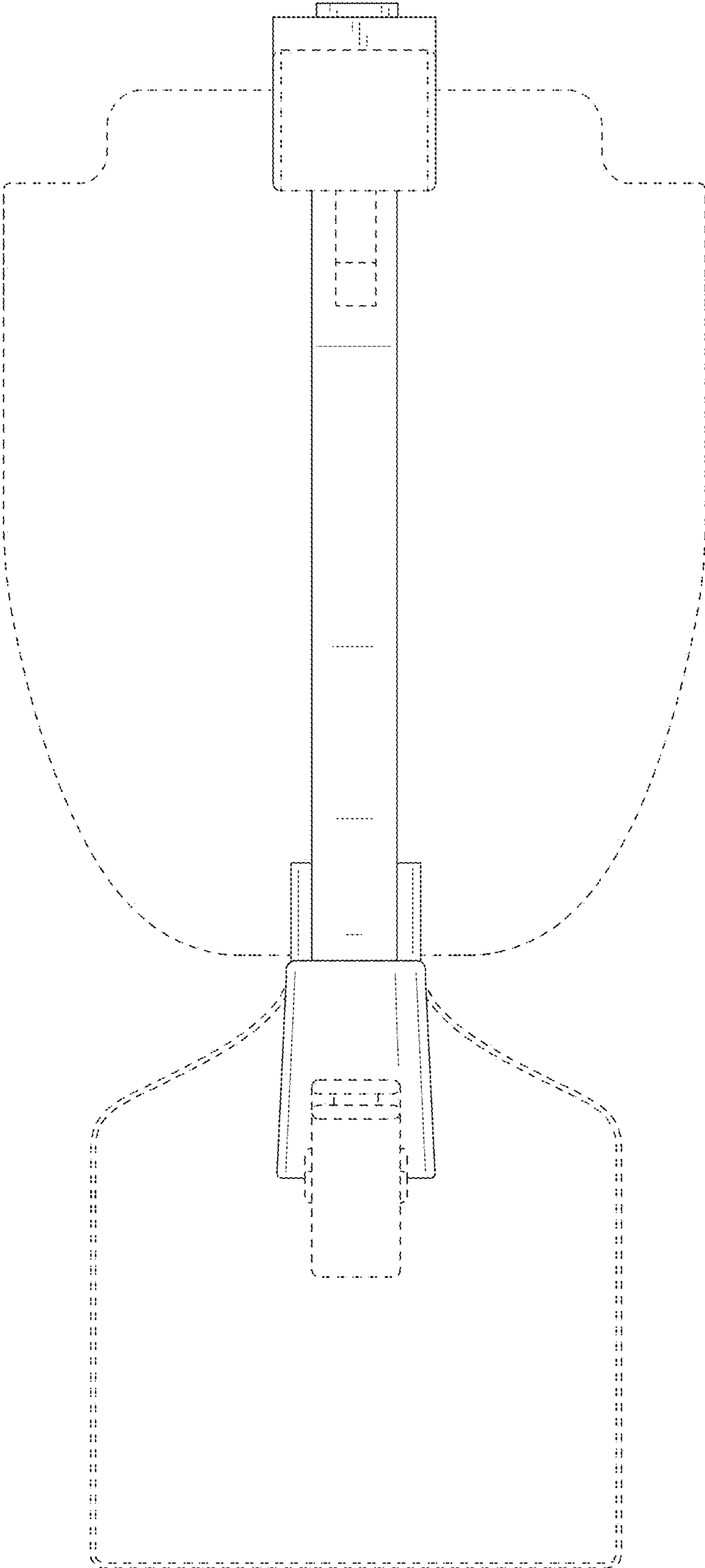


FIG. 8

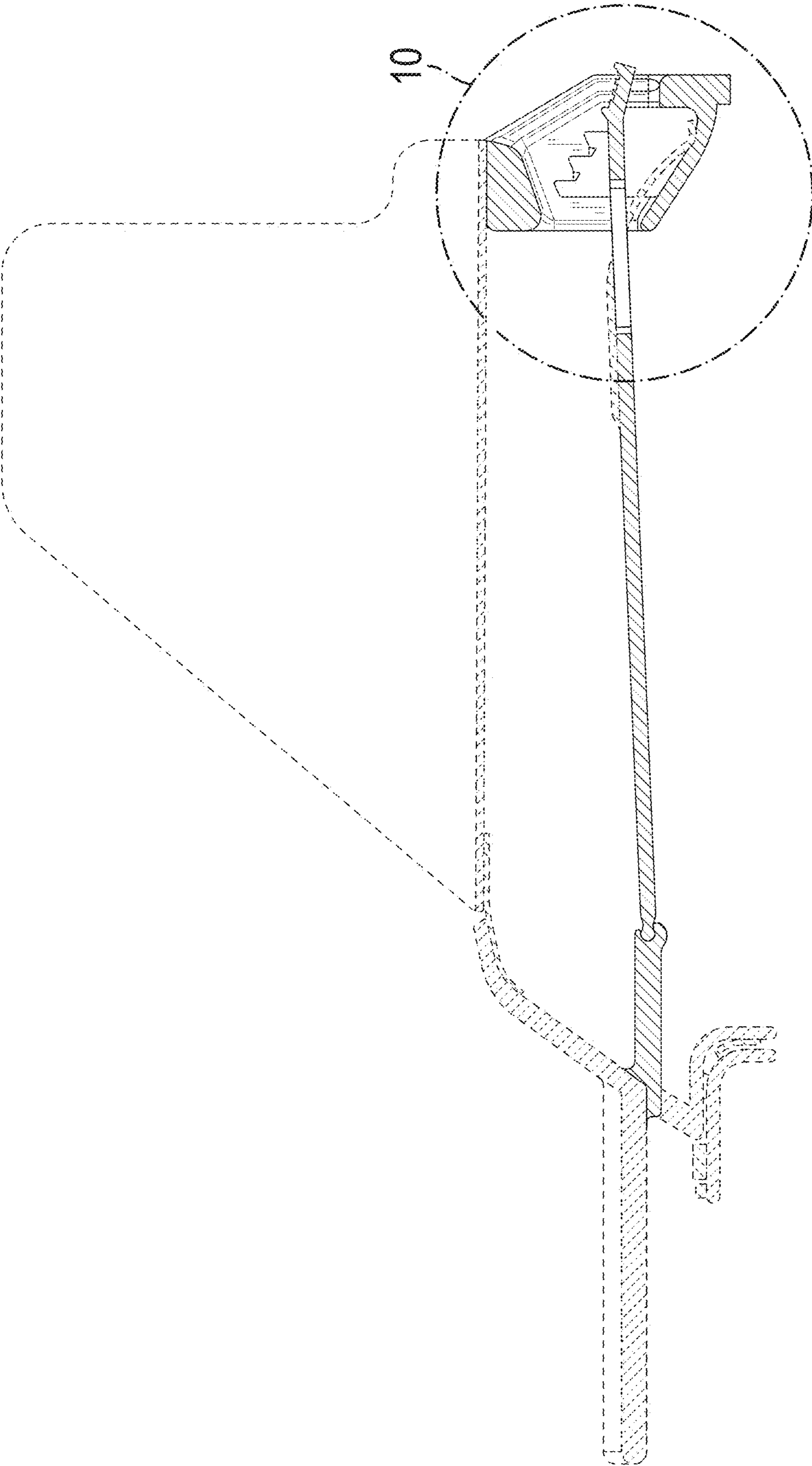


FIG. 9

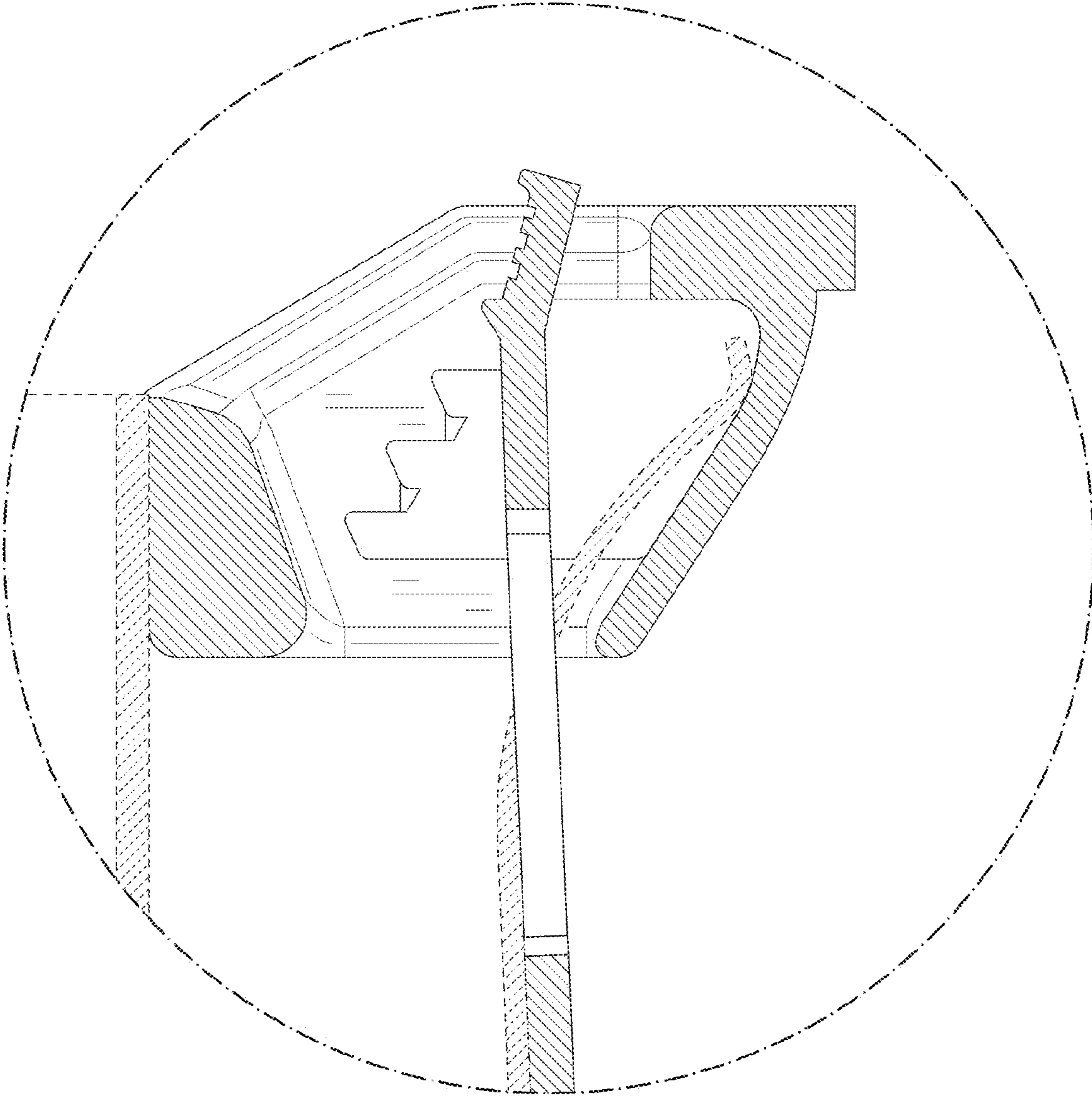


FIG. 10