



US00D980430S

(12) **United States Design Patent**
Farrell

(10) **Patent No.:** **US D980,430 S**
(45) **Date of Patent:** **** Mar. 7, 2023**

- (54) **ORAL APPLIANCE**
- (71) Applicant: **Myosa Pty Ltd**, Helensvale (AU)
- (72) Inventor: **Christopher John Farrell**, Helensvale (AU)
- (73) Assignee: **Myosa Pty Ltd**
- (**) Term: **15 Years**
- (21) Appl. No.: **29/814,258**
- (22) Filed: **Nov. 4, 2021**

Related U.S. Application Data

- (62) Division of application No. 29/725,627, filed on Feb. 26, 2020, now Pat. No. Des. 938,043.

Foreign Application Priority Data

Aug. 27, 2019 (AU) 201914867

- (51) **LOC (14) Cl.** **24-02**
- (52) **U.S. Cl.**
USPC **D24/181; D24/180**
- (58) **Field of Classification Search**
USPC D24/176-182, 110.5; D29/108
CPC A61F 5/566; A61F 2005/563; A61C 7/08;
A61C 7/36; A63B 71/085; A63B
2071/086
See application file for complete search history.

References Cited

U.S. PATENT DOCUMENTS

- RE33,442 E * 11/1990 George A61F 5/566
128/860
- 5,092,346 A 3/1992 Hays et al.
- 5,792,067 A 8/1998 Karell
- 9,717,975 B2 8/2017 Evans et al.
- D800,317 S 10/2017 Farrell
- D854,679 S * 7/2019 Gerschman D24/110.5

- D867,673 S 11/2019 Turkbas
 - D869,774 S 12/2019 Turkbas
 - D890,930 S * 7/2020 Farrell D24/180
 - D904,620 S 12/2020 Farrell
 - D909,586 S 2/2021 Farrell
 - D938,043 S * 12/2021 Farrell D24/180
- (Continued)

FOREIGN PATENT DOCUMENTS

- AU D201717102 7/2018
 - AU D201813962 8/2018
- (Continued)

Primary Examiner — Wan Laymon
(74) *Attorney, Agent, or Firm* — Lerner, David, Littenberg, Krumholz & Mentlik, LLP

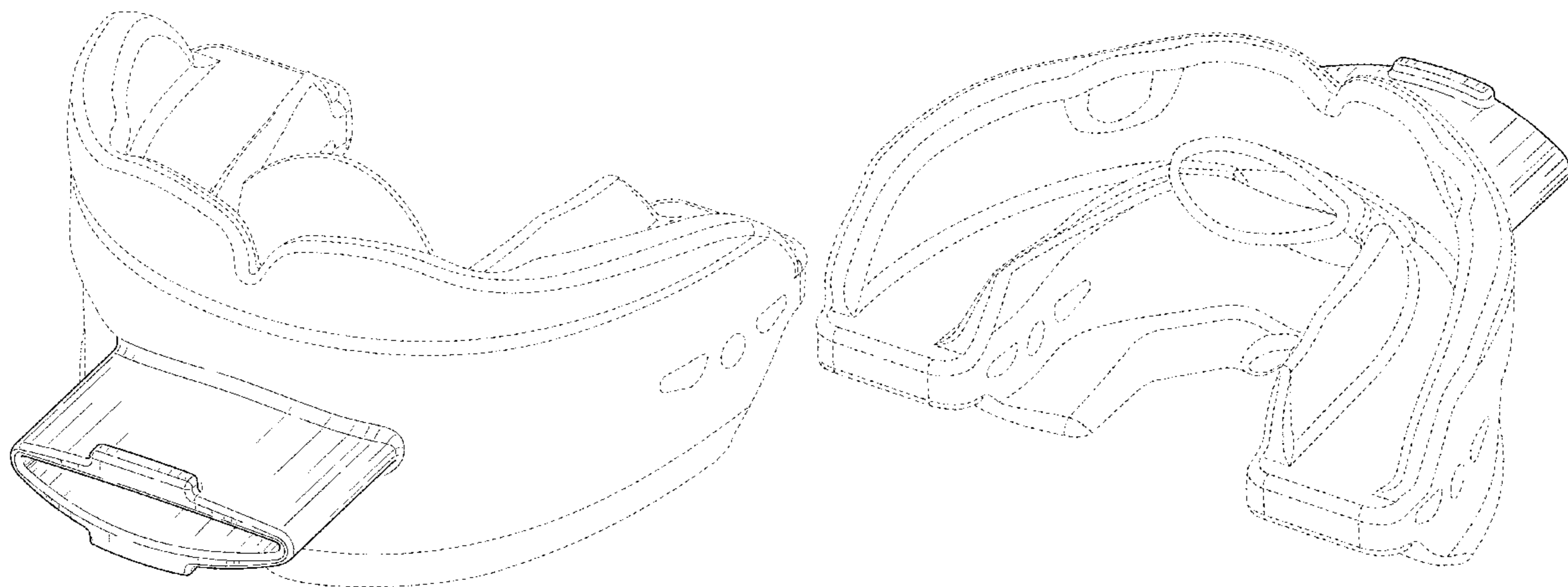
(57) **CLAIM**

The ornamental design for an oral appliance, as shown and described.

DESCRIPTION

FIG. 1 is a front perspective view of an oral appliance of the design;
 FIG. 2 is a rear perspective view of the oral appliance as shown in FIG. 1;
 FIG. 3 is a front view of the oral appliance as shown in FIG. 1;
 FIG. 4 is a rear view of the oral appliance as shown in FIG. 1;
 FIG. 5 is a left side view of the oral appliance as shown in FIG. 1;
 FIG. 6 is a top plan view of the oral appliance as shown in FIG. 1; and,
 FIG. 7 is a bottom plan view of the oral appliance shown in FIG. 1.
 The broken lines shown in the drawings are for the purpose of illustrating environmental structure and form no part of the claimed design.

1 Claim, 6 Drawing Sheets



(56)

References Cited

U.S. PATENT DOCUMENTS

D938,044 S * 12/2021 Farrell D24/181
2008/0257358 A1 10/2008 Stern et al.
2010/0311003 A1 12/2010 Kozlov
2019/0125574 A1* 5/2019 Ignacio A61F 5/566
2020/0215384 A1 7/2020 Farrell
2020/0268545 A1* 8/2020 Huang A61F 5/566
2021/0077293 A1* 3/2021 Ogle A61F 5/566
2021/0162156 A1 6/2021 Farrell

FOREIGN PATENT DOCUMENTS

AU D201813963 8/2018
AU D201813964 8/2018
AU D201813965 8/2018
AU D201813151 1/2019
AU D201813153 1/2019
AU D201813152 3/2019
AU D201910344 3/2019
AU D201910345 3/2019
JP D1629348 4/2019
WO 2012155214 A1 11/2012
WO 2015149127 A1 10/2015
WO 2017020079 A1 2/2017
WO 2017165918 A1 10/2017
WO 2018098527 A1 6/2018
WO 2019051545 A1 3/2019

* cited by examiner

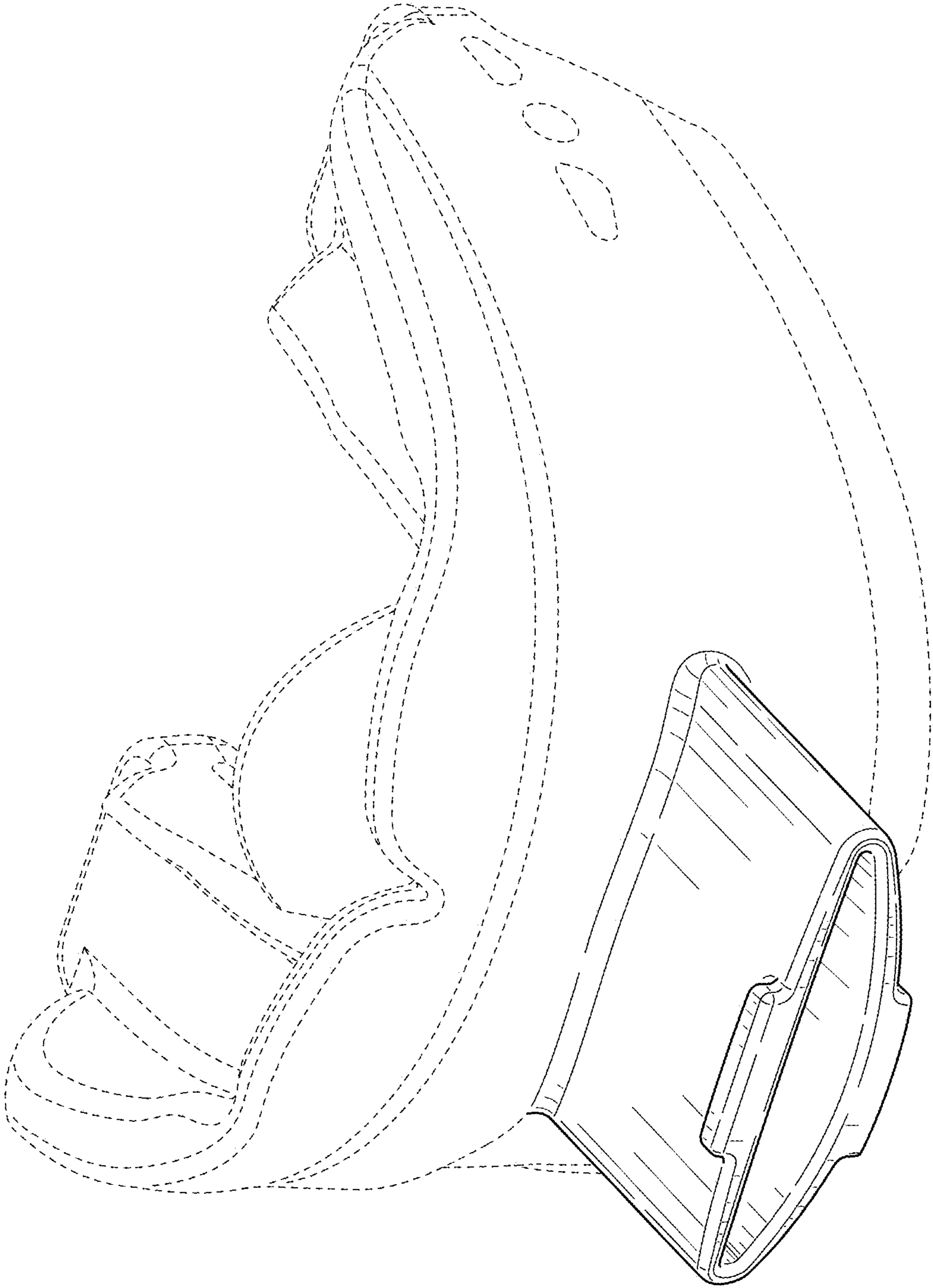


FIG. 1

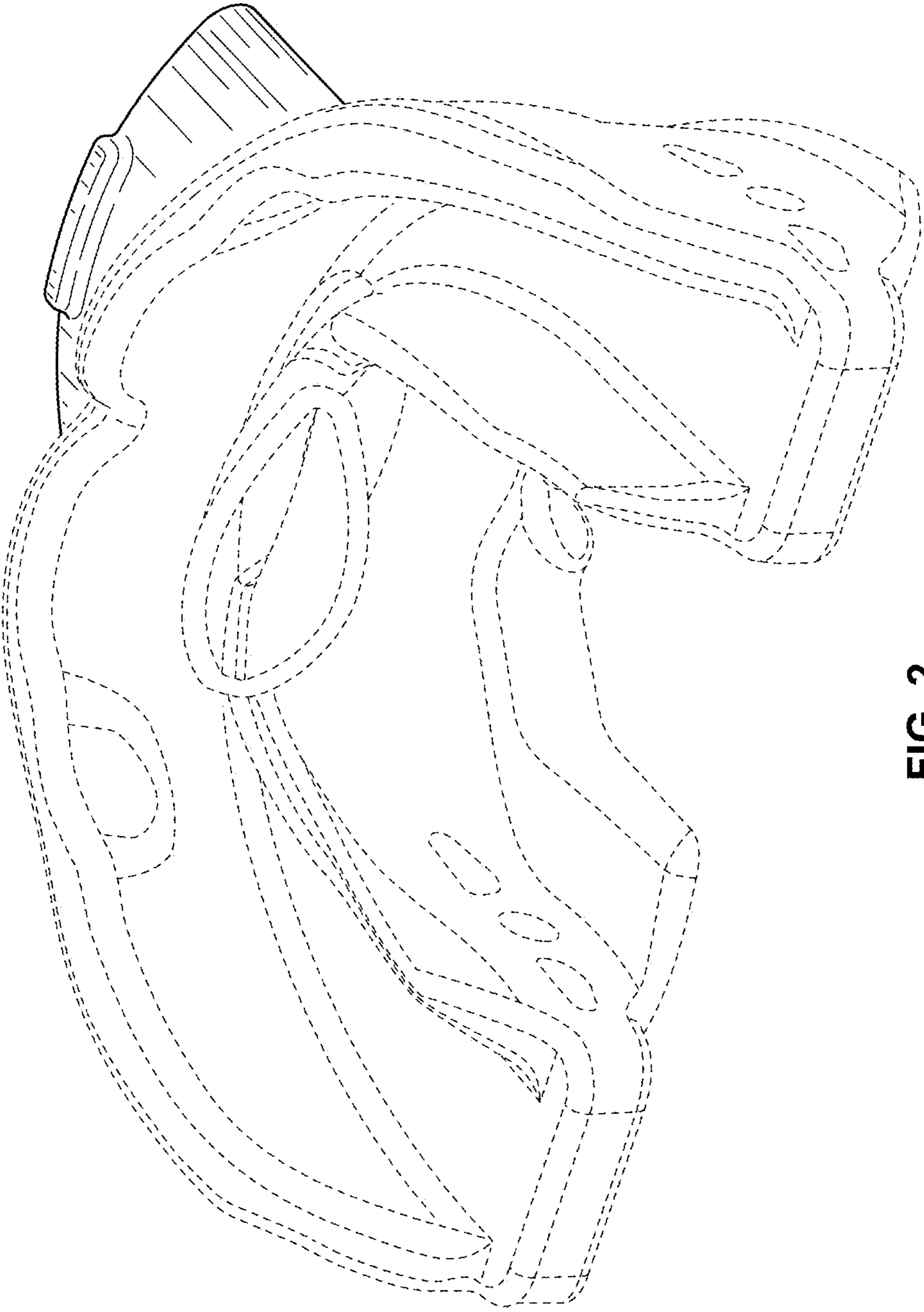


FIG. 2

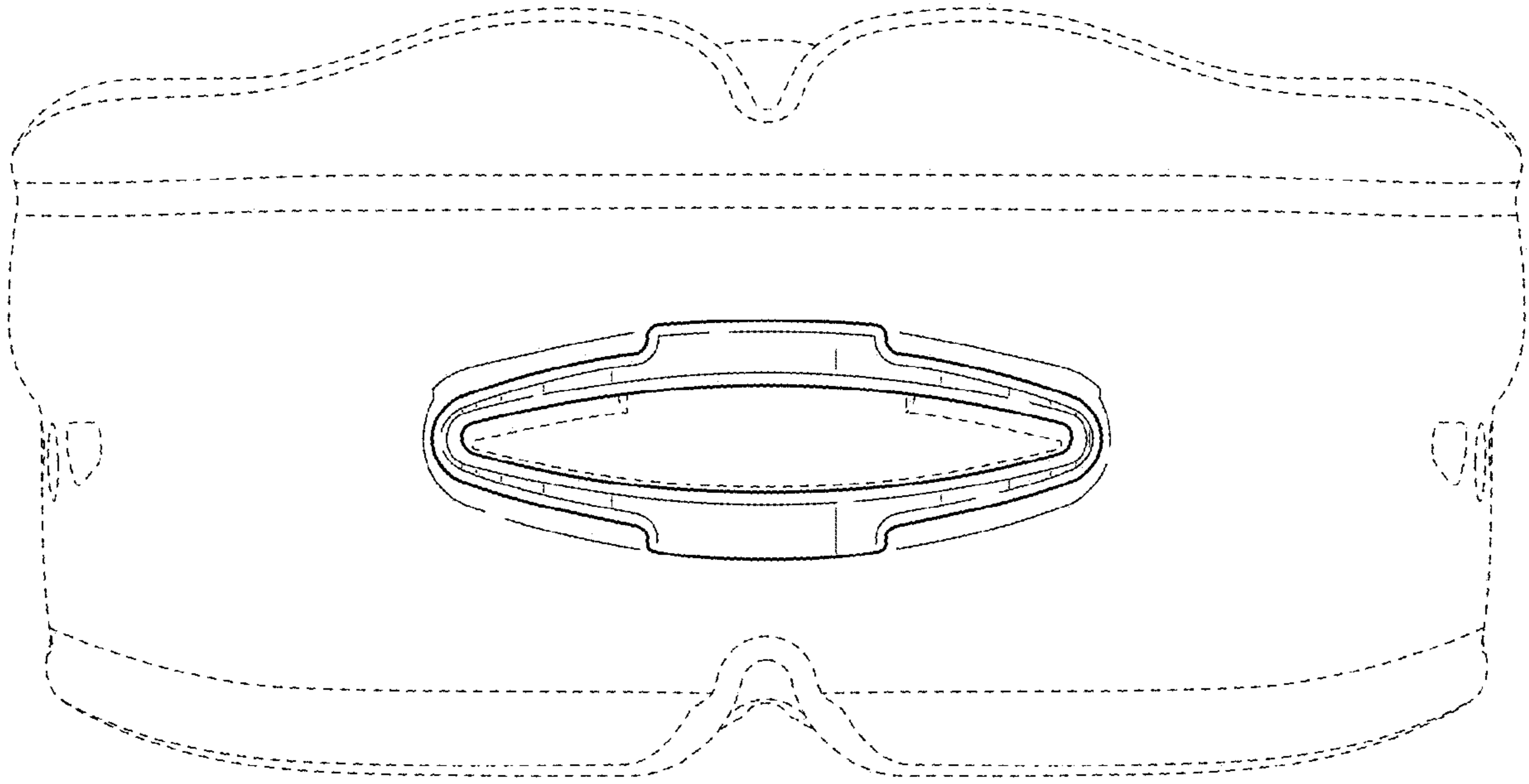


FIG. 3

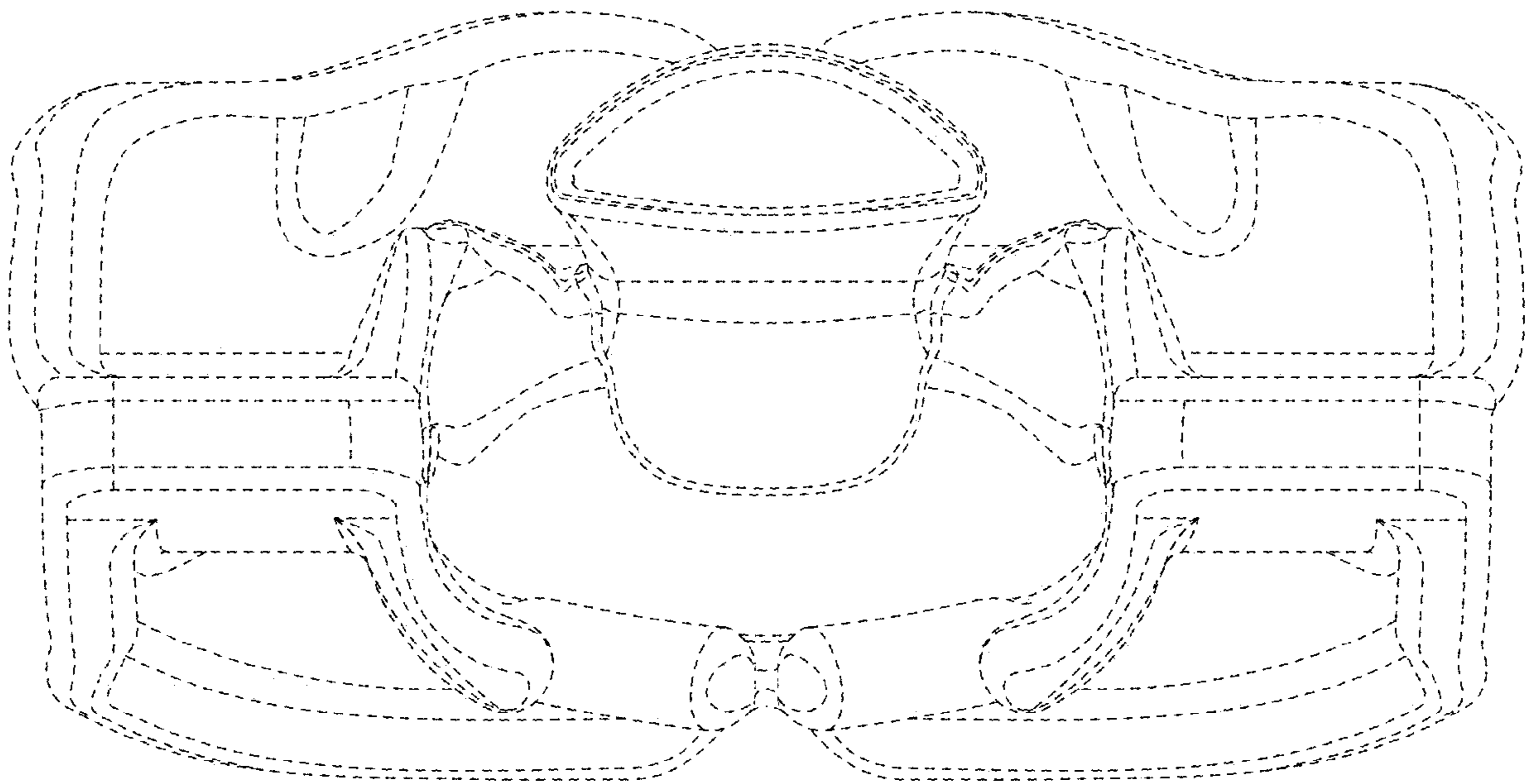


FIG. 4

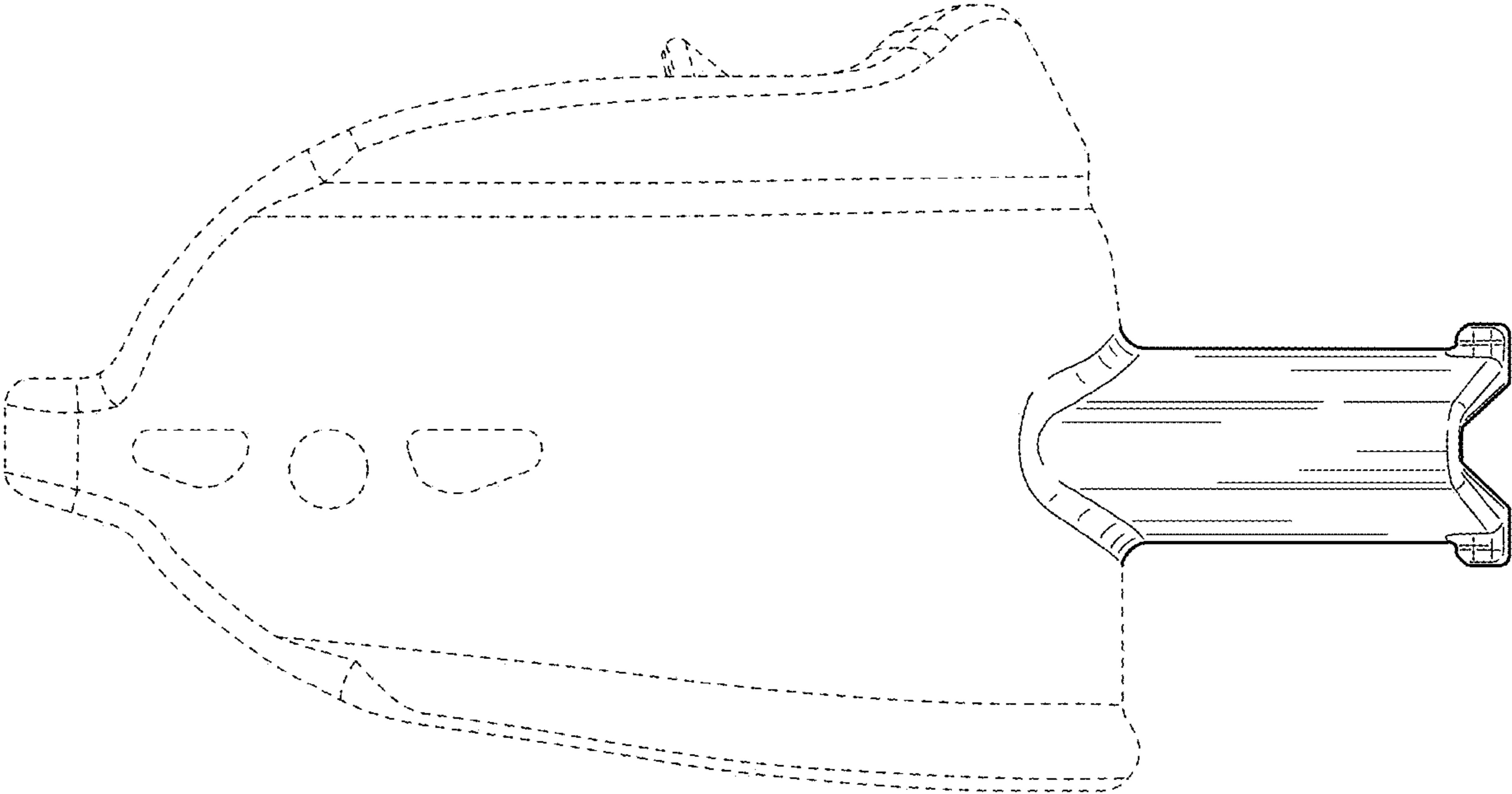


FIG. 5

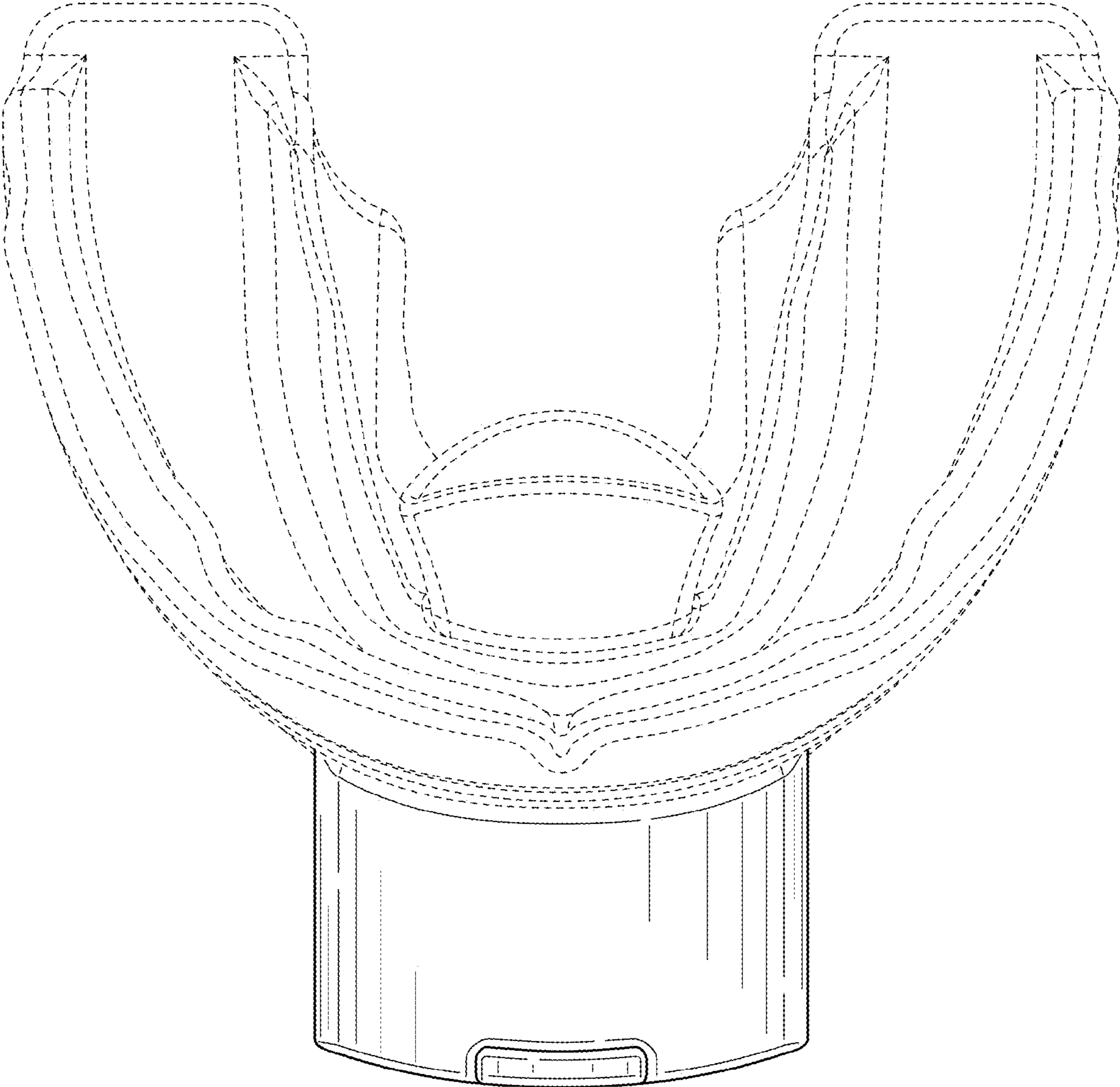


FIG. 6

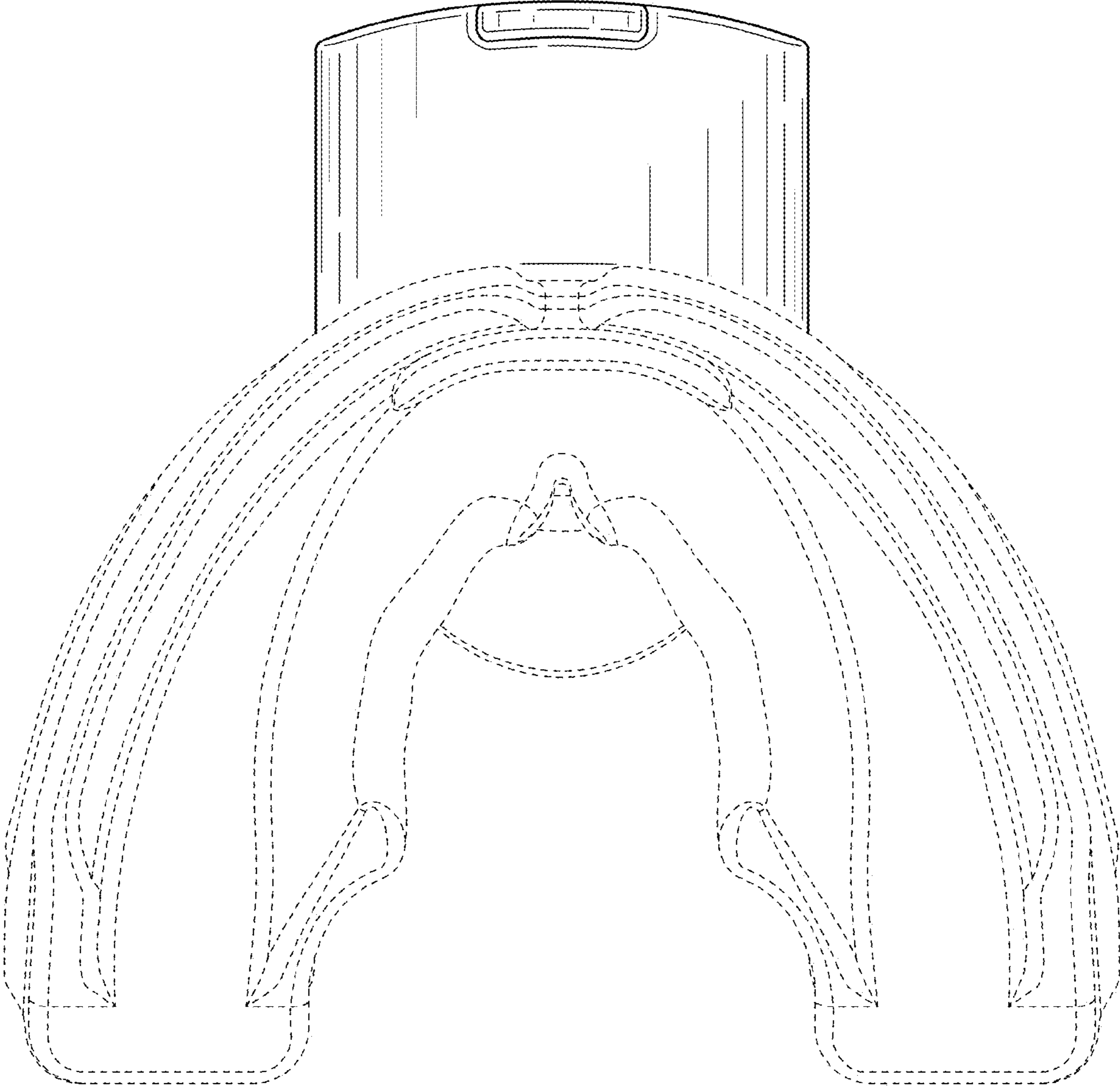


FIG. 7