



US00D980426S

(12) **United States Design Patent**
Sweitzer

(10) **Patent No.:** **US D980,426 S**

(45) **Date of Patent:** **** Mar. 7, 2023**

(54) **OSTEOTOME BLADE**

(71) Applicant: **Shukla Medical**, St. Petersburg, FL
(US)

(72) Inventor: **Zachary Robert Sweitzer**, Keyport, NJ
(US)

(73) Assignee: **Shukla Medical**, St. Petersburg, FL
(US)

(**) Term: **15 Years**

(21) Appl. No.: **29/671,479**

(22) Filed: **Nov. 27, 2018**

(51) **LOC (14) Cl.** **24-02**

(52) **U.S. Cl.**
USPC **D24/146**

(58) **Field of Classification Search**
USPC D8/47, 98, 101; D24/112, 130, 133,
D24/144-148; D7/688
CPC A61B 17/3211; A61B 17/3213; A61B
17/3215; A61B 17/3217; A61B
2017/32113; A61B 2090/061
See application file for complete search history.

(56) **References Cited**

U.S. PATENT DOCUMENTS

- 102,459 A * 4/1870 Wood B27F 5/12
30/167.1
- D34,215 S * 3/1901 Swan 30/167
- 2,083,123 A * 6/1937 Quick B25D 3/00
7/105
- 2,757,452 A * 8/1956 Barnes F16L 13/128
30/167.1
- 4,600,005 A * 7/1986 Hendel B26D 3/06
30/167
- D288,360 S * 2/1987 Collis, Jr. D24/147

- D311,120 S * 10/1990 Cautereels D7/688
- D312,954 S * 12/1990 Wilbanks D8/82
- D318,115 S * 7/1991 Michelson D24/147
- D339,419 S * 9/1993 Hood D24/133
- D370,532 S * 6/1996 Epstein D24/146

(Continued)

Primary Examiner — L. A. Grabenstetter

(74) *Attorney, Agent, or Firm* — Kim IP Law Group LLC

(57) **CLAIM**

The ornamental design for an osteotome blade, as shown and described.

DESCRIPTION

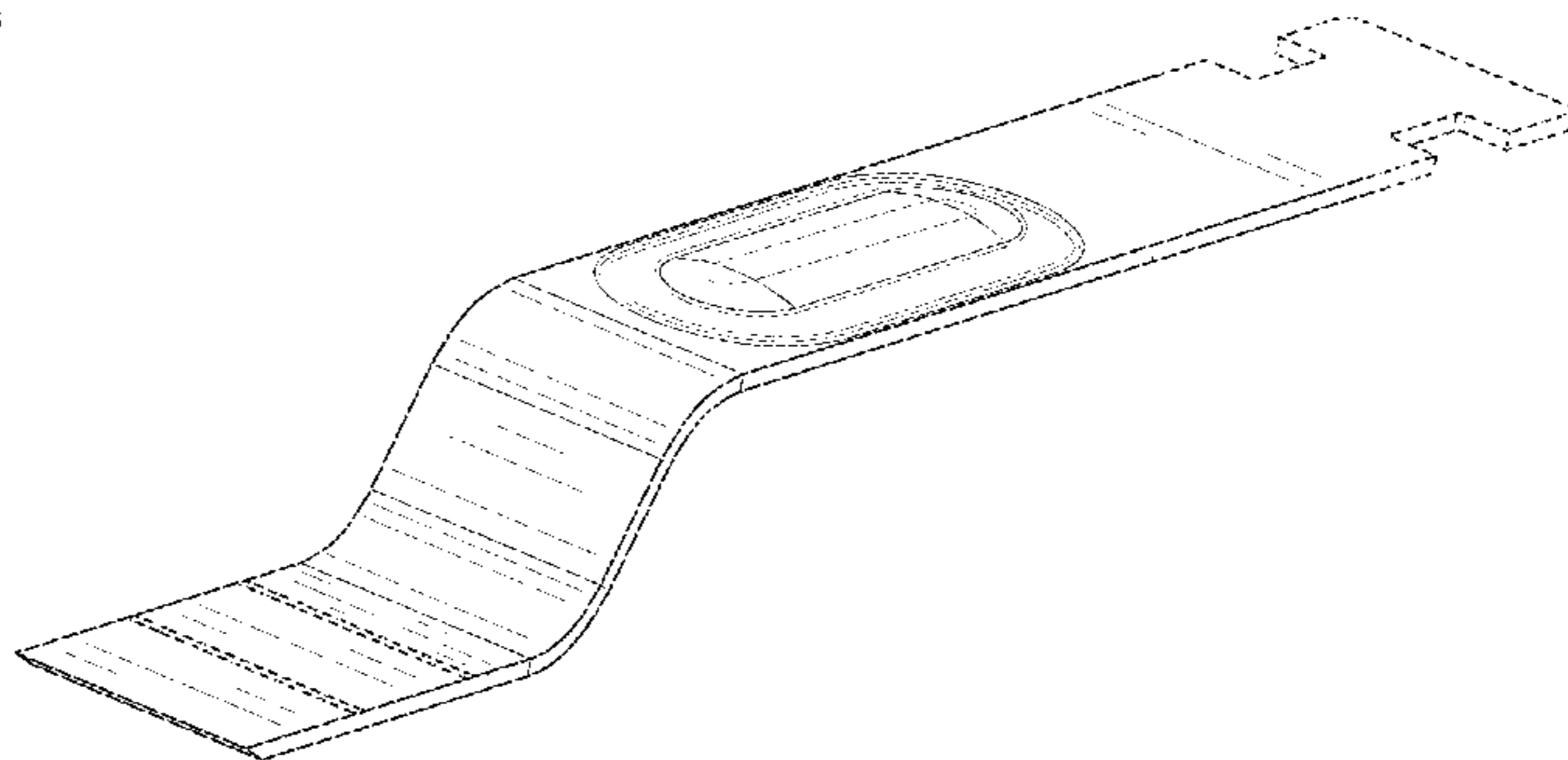
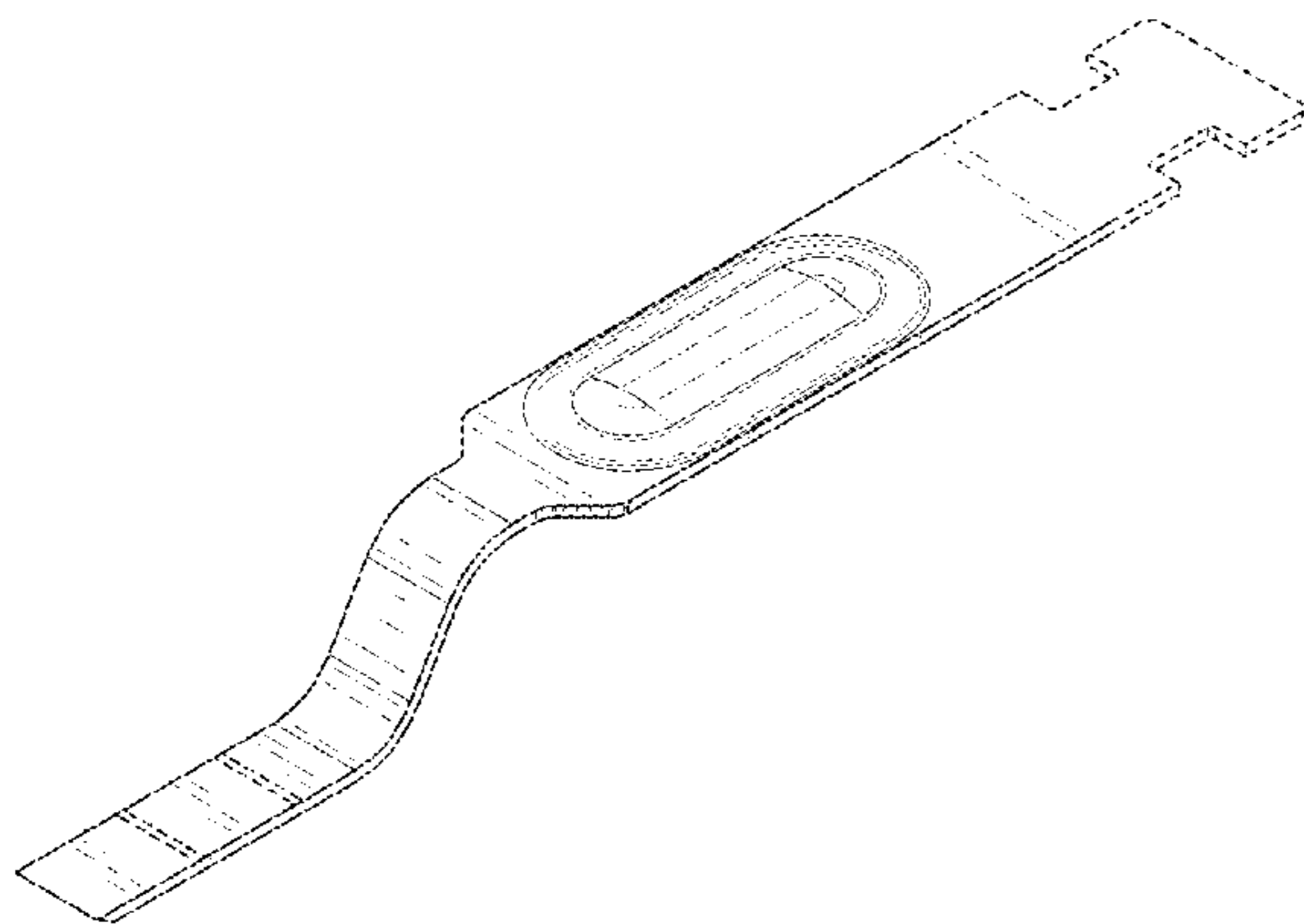
FIG. 1 is a perspective view of an osteotome blade in accordance with a first embodiment of the new design; FIG. 2 is a front view of the osteotome blade of FIG. 1; FIG. 3 is a rear view of the osteotome blade of FIG. 1; FIG. 4 is a left side view of the osteotome blade of FIG. 1; FIG. 5 is a right side view of the osteotome blade of FIG. 1; FIG. 6 is a top plan view of the osteotome blade of FIG. 1; FIG. 7 is a bottom plan view of the osteotome blade of FIG. 1;

FIG. 8 is a perspective view of an osteotome blade in accordance with a second embodiment of the new design; FIG. 9 is front view of the osteotome blade of FIG. 8; FIG. 10 is a rear view of the osteotome blade of FIG. 8; FIG. 11 is a left side view of the osteotome blade of FIG. 8; FIG. 12 is a right side view of the osteotome blade of FIG. 8;

FIG. 13 is a top plan view of the osteotome blade of FIG. 8; and, FIG. 14 is a bottom plan view of the osteotome blade of FIG. 8.

The broken lines, and unshaded surfaces bound by broken lines, illustrate portions of the osteotome blade which form no part of the claimed design.

1 Claim, 14 Drawing Sheets



(56)

References Cited

U.S. PATENT DOCUMENTS

6,790,211 B1 * 9/2004 McPherson A61B 17/8847
606/84
D566,274 S * 4/2008 Lee D24/147
D635,672 S * 4/2011 Ripich D24/147
D669,171 S * 10/2012 Boedeker D24/135
D738,502 S * 9/2015 Jian D24/146
D757,505 S * 5/2016 Wegwerth D7/693
D793,556 S * 8/2017 Sweitzer D24/146
D858,221 S * 9/2019 Abrams D7/688
D904,845 S * 12/2020 Scimone D8/47
2008/0188878 A1 * 8/2008 Young A61B 17/144
606/169
2014/0128684 A1 * 5/2014 Carlson A61B 17/02
600/217

* cited by examiner

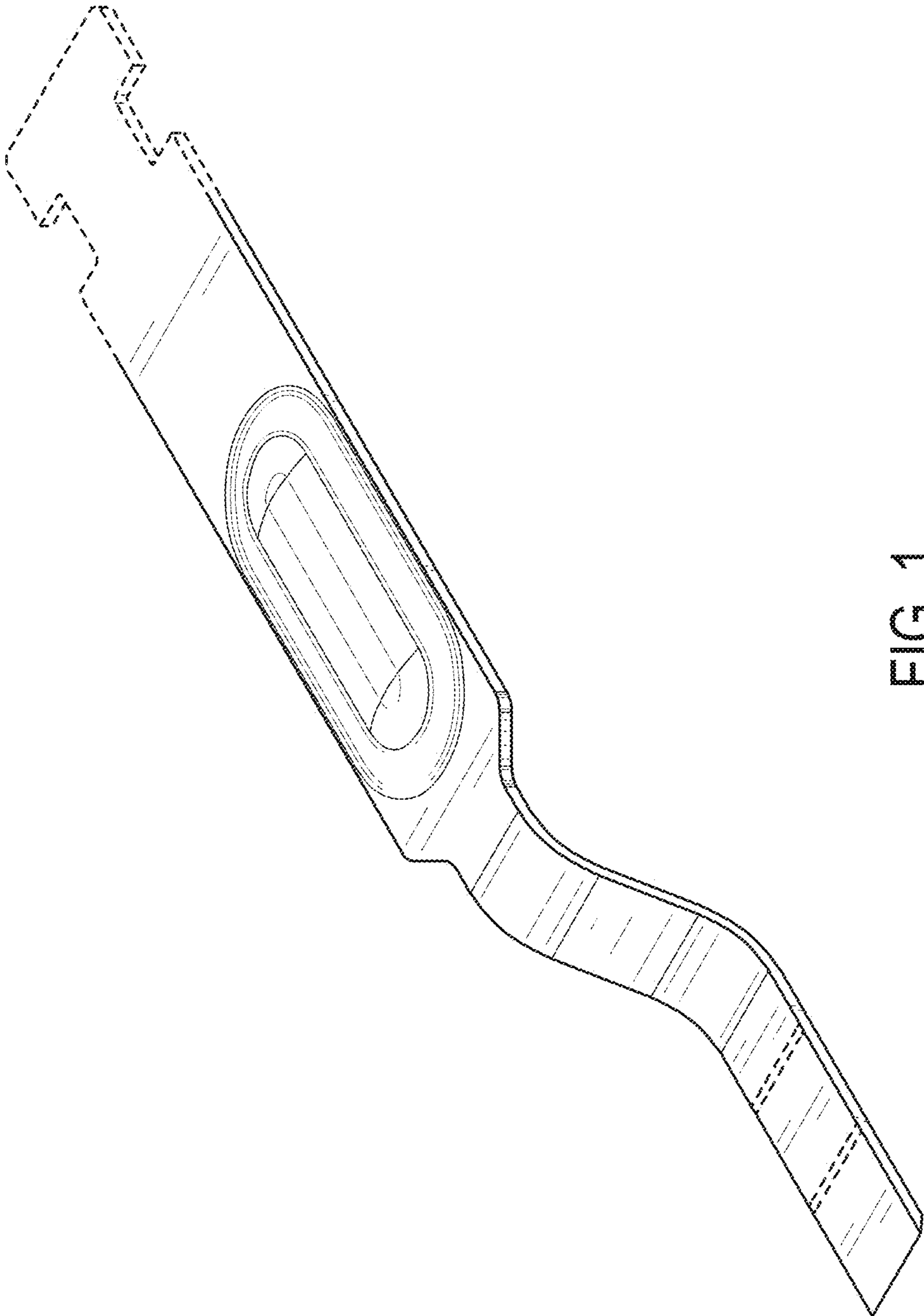


FIG. 1

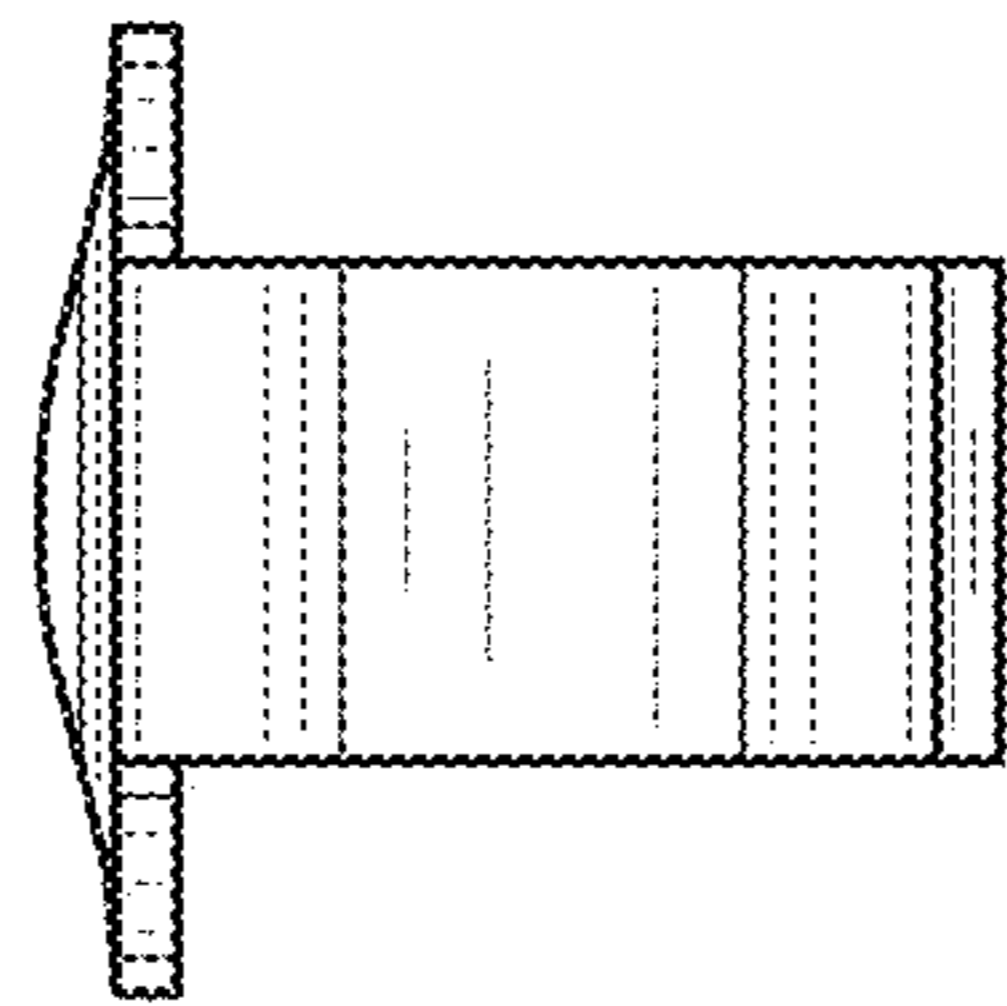


FIG. 2

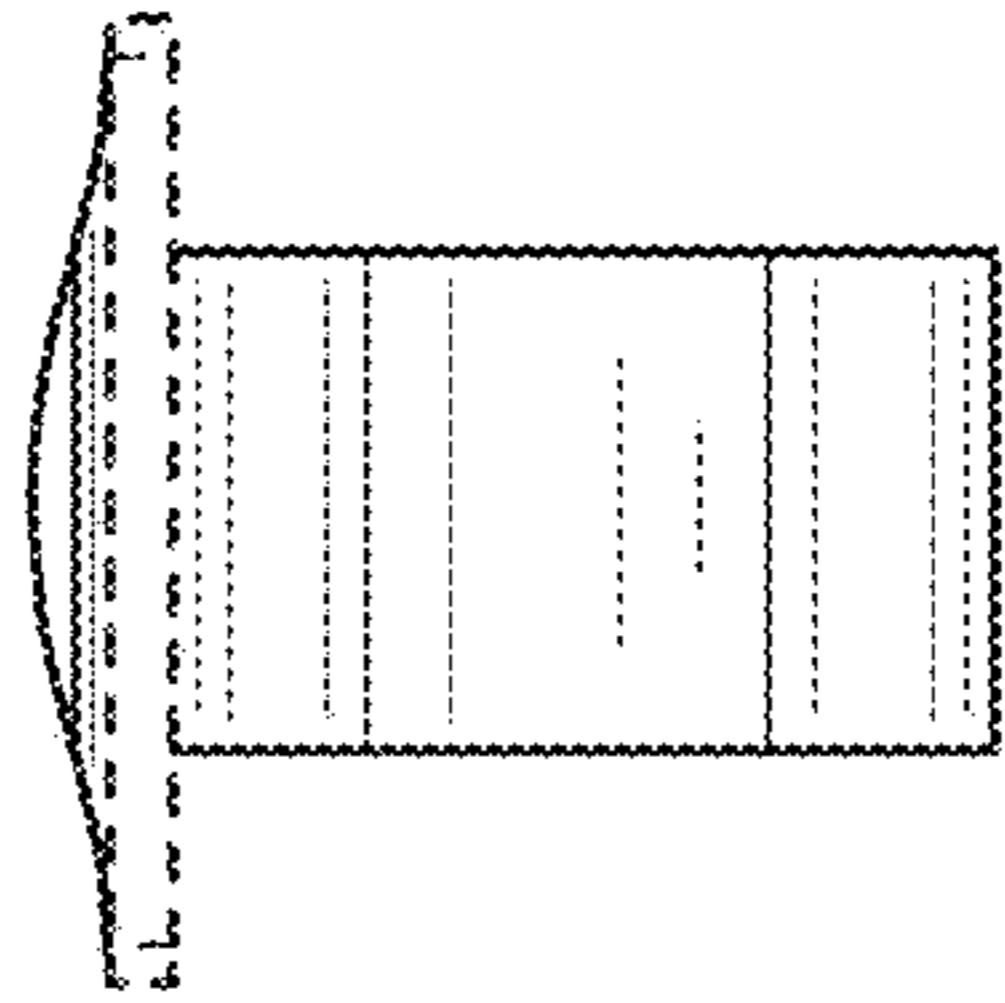


FIG. 3

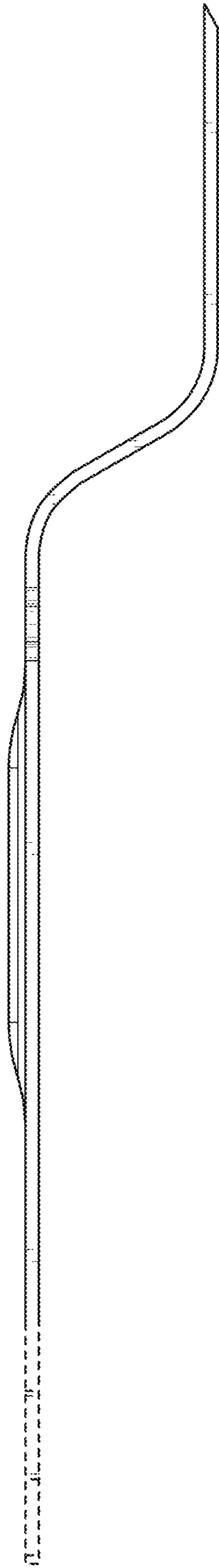


FIG. 4

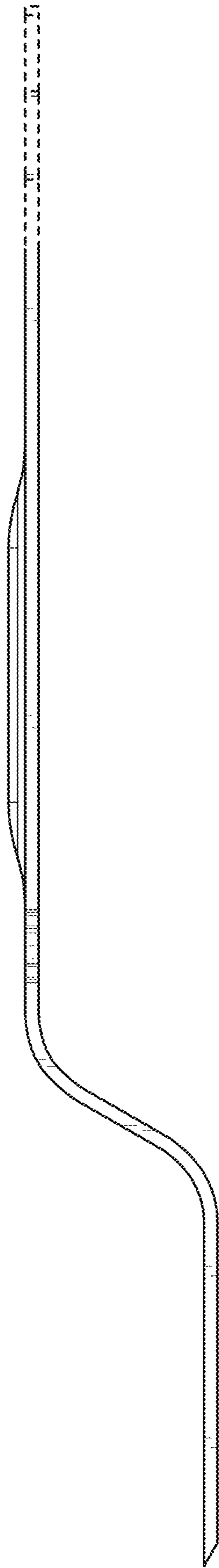


FIG. 5

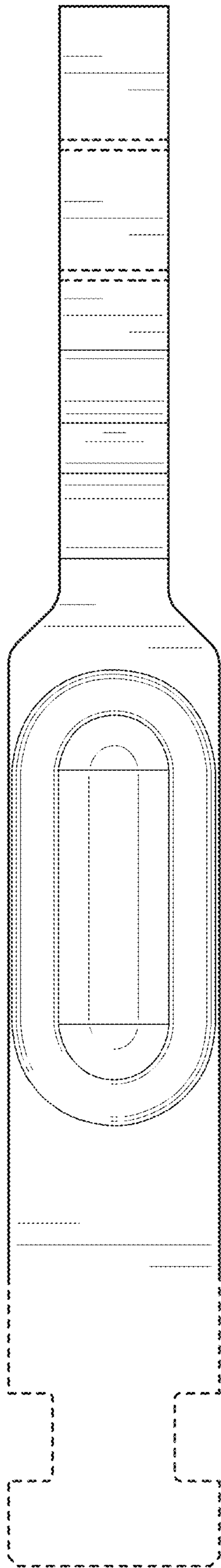


FIG. 6

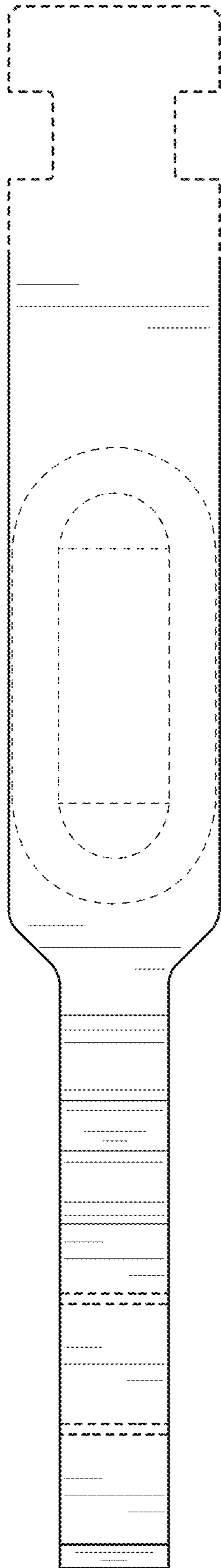


FIG. 7

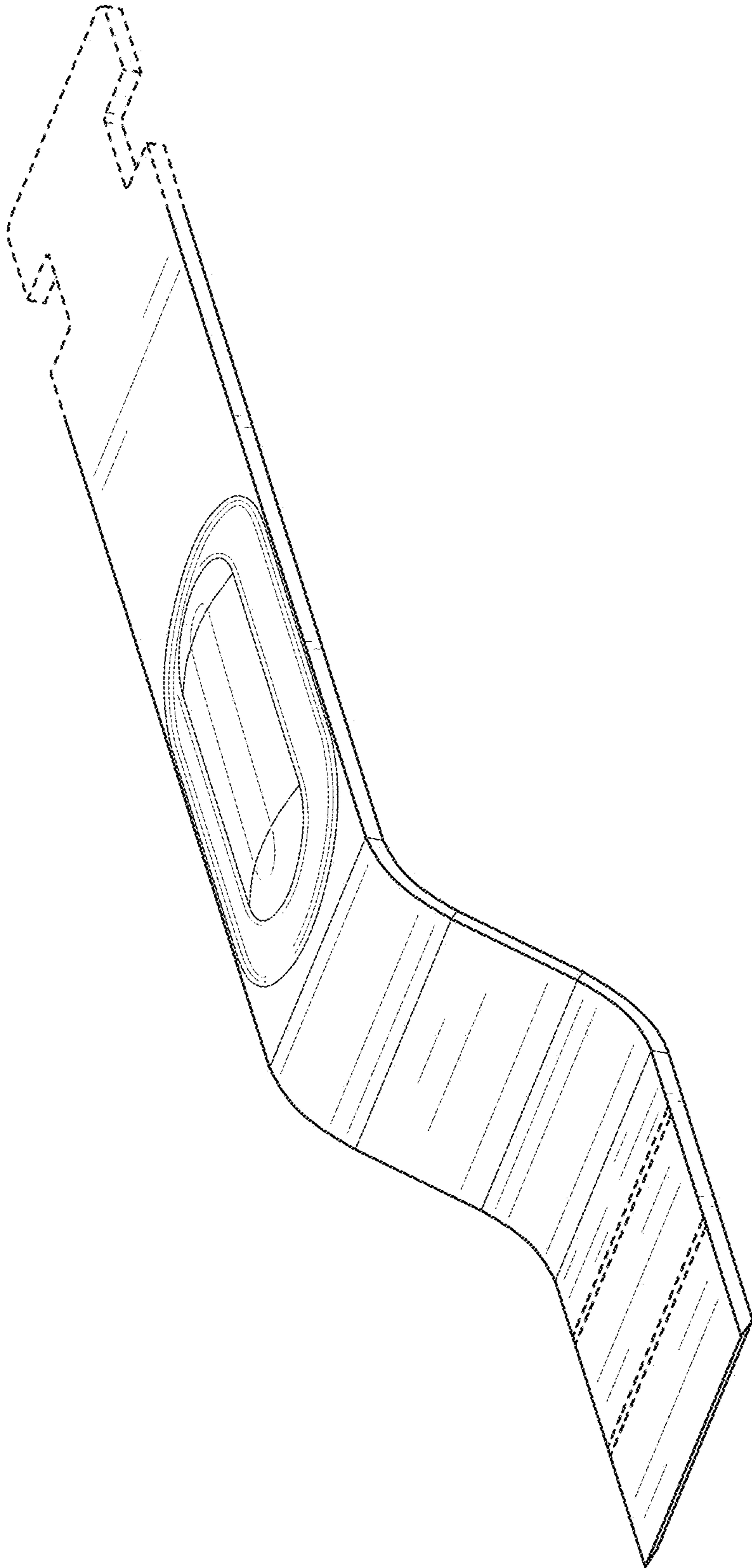


FIG. 8

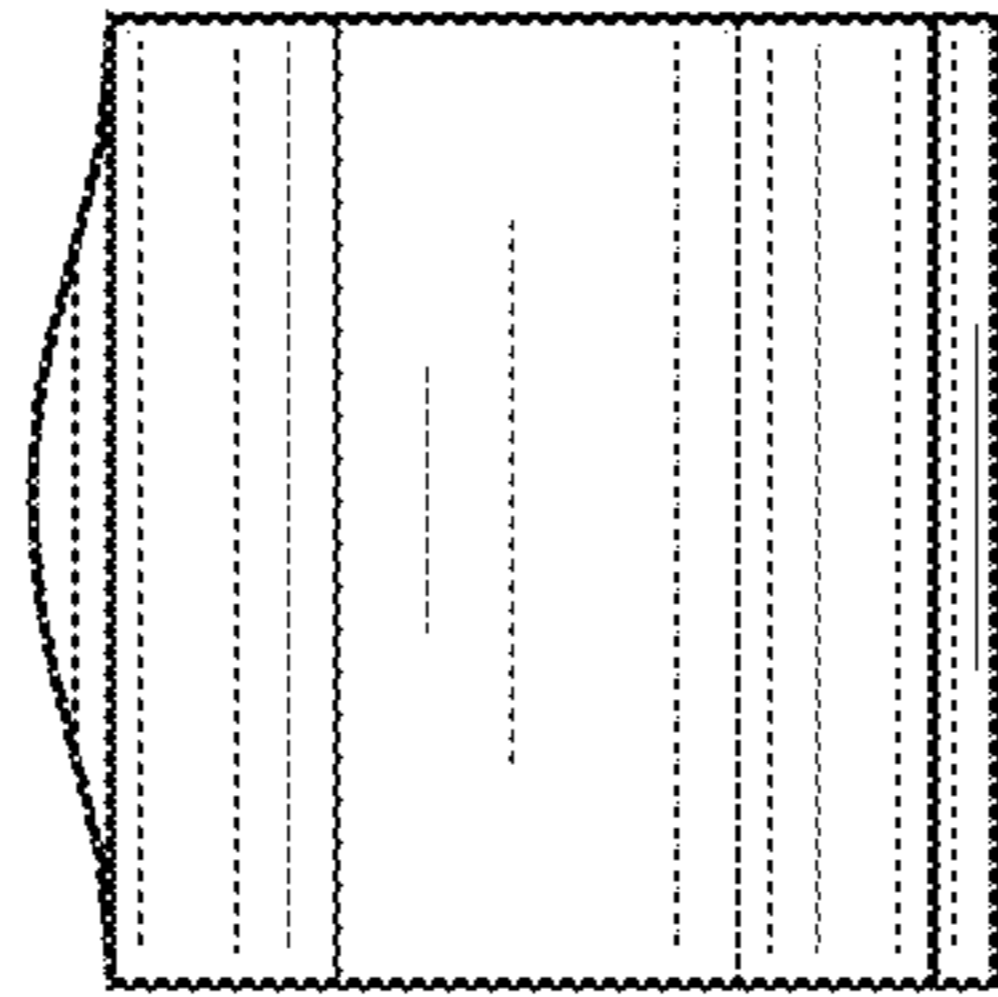


FIG. 9

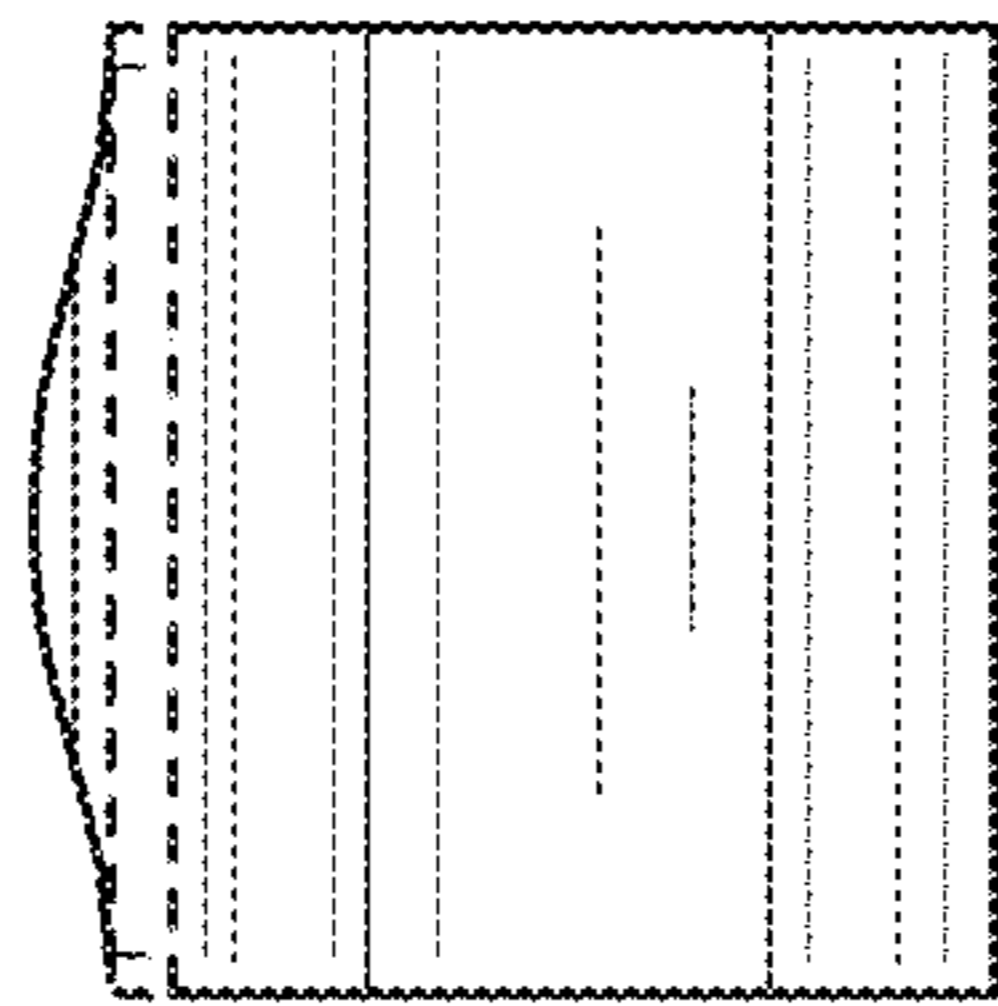


FIG. 10

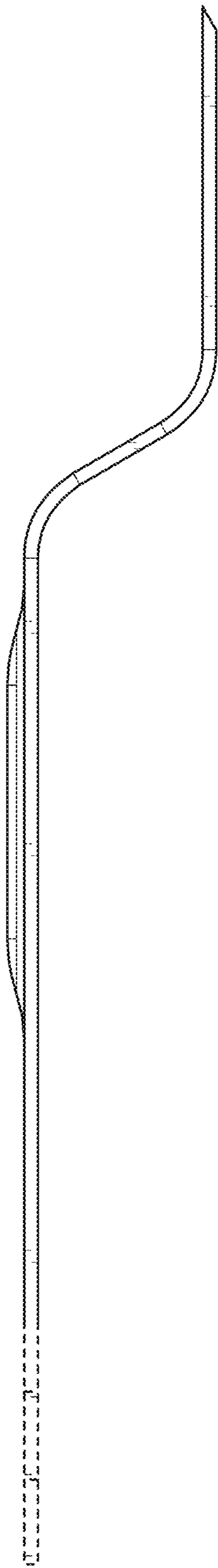


FIG. 11

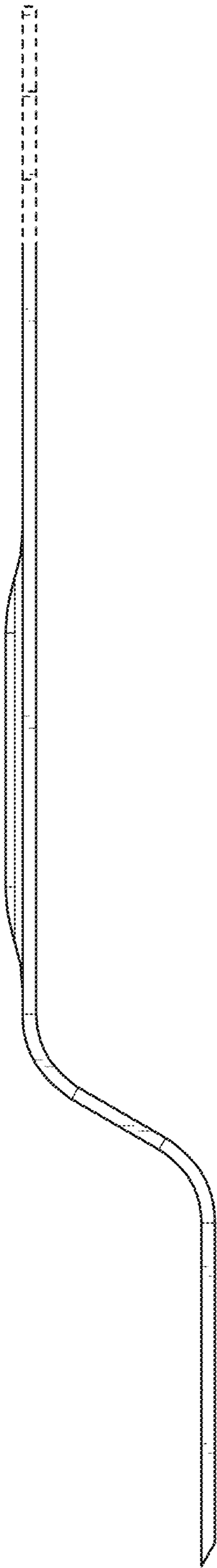


FIG. 12

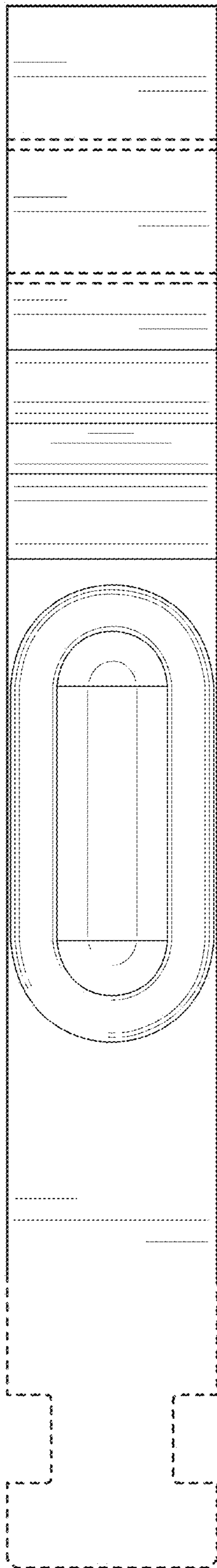


FIG. 13

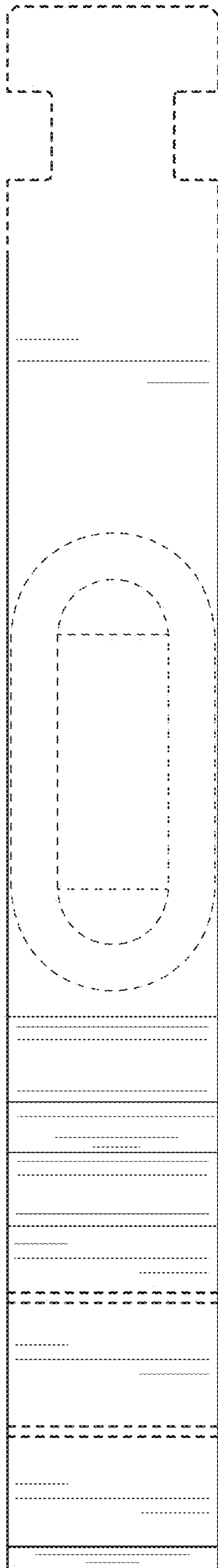


FIG. 14