



US00D980425S

(12) **United States Design Patent**
Baxter, III

(10) **Patent No.:** **US D980,425 S**
(45) **Date of Patent:** **** Mar. 7, 2023**

(54) **SURGICAL INSTRUMENT ASSEMBLY**

1,944,116 A 1/1934 Stratman
1,954,048 A 4/1934 Jeffrey et al.
2,028,635 A 1/1936 Wappler
(Continued)

(71) Applicant: **Ethicon LLC**, Guaynabo, PR (US)

(72) Inventor: **Chester O. Baxter, III**, Loveland, OH (US)

FOREIGN PATENT DOCUMENTS

(73) Assignee: **Cilag GmbH International**, Zug (CH)

AU 2012200594 A1 2/2012
AU 2012203035 A1 6/2012
(Continued)

(**) Term: **15 Years**

OTHER PUBLICATIONS

(21) Appl. No.: **29/756,615**

ASTM procedure D2240-00, "Standard Test Method for Rubber Property-Durometer Hardness," (Published Aug. 2000).

(22) Filed: **Oct. 29, 2020**

(Continued)

(51) **LOC (14) Cl.** **24-02**

(52) **U.S. Cl.**
USPC **D24/145**

Primary Examiner — Wan Laymon

(58) **Field of Classification Search**
USPC D24/145-147, 133
CPC A61B 17/072; A61B 17/07207
See application file for complete search history.

(57) **CLAIM**

The ornamental design for a surgical instrument assembly, as shown and described.

DESCRIPTION

(56) **References Cited**

U.S. PATENT DOCUMENTS

66,052 A	6/1867	Smith
662,587 A	11/1900	Blake
670,748 A	3/1901	Weddeler
719,487 A	2/1903	Minor
804,229 A	11/1905	Hutchinson
903,739 A	11/1908	Lesemann
951,393 A	3/1910	Hahn
1,075,556 A	10/1913	Fenoughty
1,082,105 A	12/1913	Anderson
1,188,721 A	6/1916	Bittner
1,306,107 A	6/1919	Elliott
1,314,601 A	9/1919	McCaskey
1,466,128 A	8/1923	Hallenbeck
1,677,337 A	7/1928	Grove
1,794,907 A	3/1931	Kelly
1,849,427 A	3/1932	Hook
1,912,783 A	6/1933	Meyer

FIG. 1 is a perspective view of a surgical instrument assembly.

FIG. 2 is a right elevational view of the surgical instrument assembly of FIG. 1.

FIG. 3 is left elevational view of the surgical instrument assembly of FIG. 1.

FIG. 4 is a front elevational view of the surgical instrument assembly of FIG. 1.

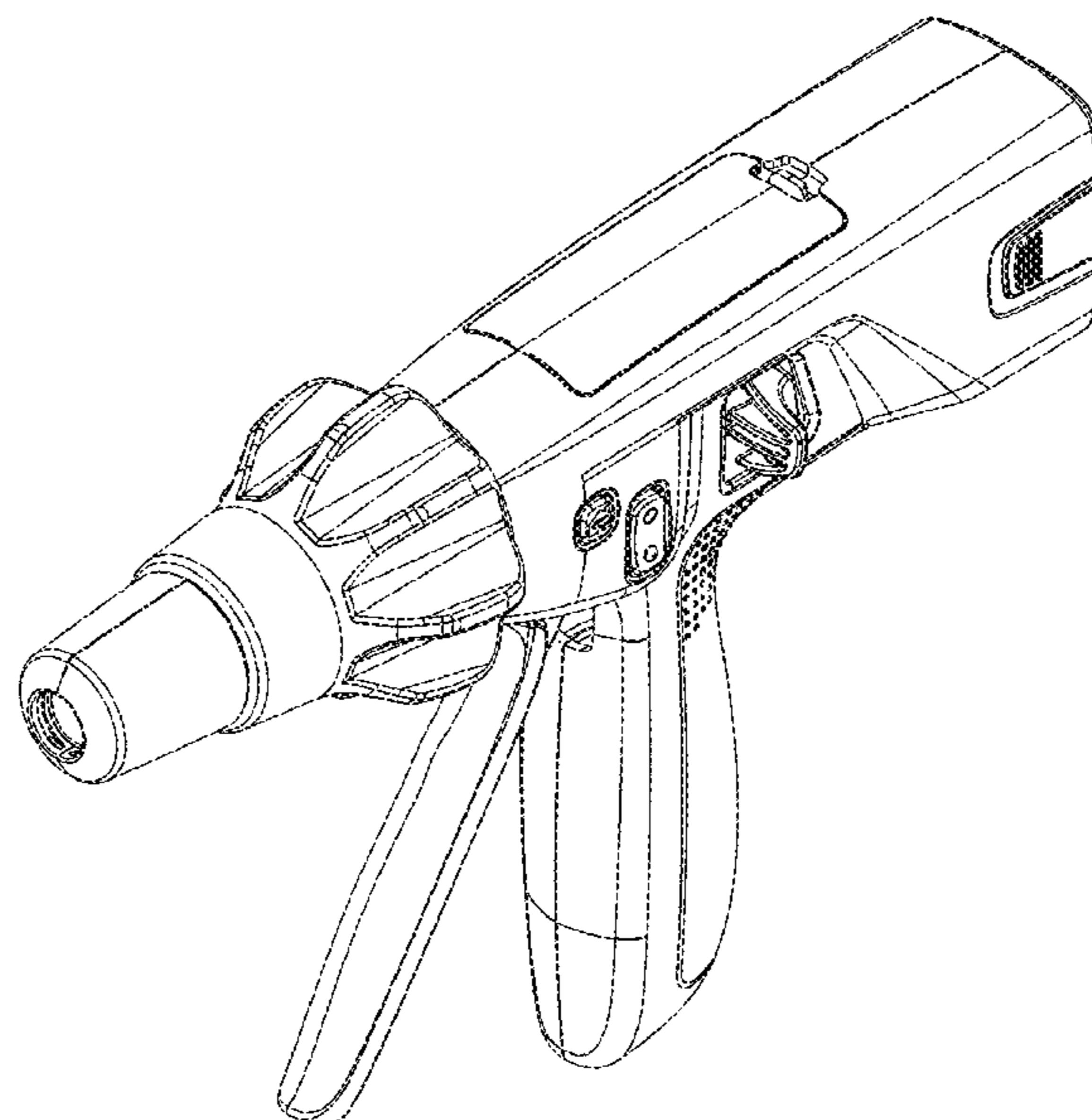
FIG. 5 is a rear elevational view of the surgical instrument assembly of FIG. 1.

FIG. 6 is a top plan view of the surgical instrument assembly of FIG. 1; and,

FIG. 7 is a bottom plan view of the surgical instrument assembly of FIG. 1.

The broken line in the drawings is included for the purpose of illustration portions of the surgical instrument assembly and forms no part of the claimed design.

1 Claim, 7 Drawing Sheets



(56)

References Cited

U.S. PATENT DOCUMENTS

2,037,727 A	4/1936	La Chapelle	3,635,394 A	1/1972	Natelson
2,120,951 A	6/1938	Hodgman	3,638,652 A	2/1972	Kelley
2,132,295 A	10/1938	Hawkins	3,640,317 A	2/1972	Panfilii
2,161,632 A	6/1939	Nattenheimer	3,643,851 A	2/1972	Green et al.
D120,434 S	5/1940	Gold	3,650,453 A	3/1972	Smith, Jr.
2,211,117 A	8/1940	Hess	3,661,339 A	5/1972	Shimizu
2,214,870 A	9/1940	West	3,661,666 A	5/1972	Foster et al.
2,224,108 A	12/1940	Ridgway	3,662,939 A	5/1972	Bryan
2,224,882 A	12/1940	Peck	3,685,250 A	8/1972	Henry et al.
2,256,295 A	9/1941	Schmid	3,688,966 A	9/1972	Perkins et al.
2,318,379 A	5/1943	Davis et al.	3,692,224 A	9/1972	Astafiev et al.
2,329,440 A	9/1943	La Place	3,695,646 A	10/1972	Mommsen
2,377,581 A	6/1945	Shaffrey	3,709,221 A	1/1973	Riely
2,406,389 A	8/1946	Royal Lee	3,717,294 A	2/1973	Green
2,420,552 A	5/1947	Morrill	3,724,237 A	4/1973	Wood
2,441,096 A	5/1948	Happe	3,726,755 A	4/1973	Shannon
2,448,741 A	9/1948	Scott et al.	3,727,904 A	4/1973	Gabbey
2,450,527 A	10/1948	Smith	3,734,207 A	5/1973	Fishbein
2,491,872 A	12/1949	Neuman	3,740,994 A	6/1973	De Carlo, Jr.
2,507,872 A	5/1950	Unsinger	3,744,495 A	7/1973	Johnson
2,526,902 A	10/1950	Ruble	3,746,002 A	7/1973	Haller
2,527,256 A	10/1950	Jackson	3,747,603 A	7/1973	Adler
2,578,686 A	12/1951	Fish	3,747,692 A	7/1973	Davidson
2,638,901 A	5/1953	Sugarbaker	3,751,902 A	8/1973	Kingsbury et al.
2,674,149 A	4/1954	Benson	3,752,161 A	8/1973	Bent
2,701,489 A	2/1955	Osborn	3,799,151 A	3/1974	Fukaumi et al.
2,711,461 A	6/1955	Happe	3,808,452 A	4/1974	Hutchinson
2,724,289 A	11/1955	Wight	3,815,476 A	6/1974	Green et al.
2,742,955 A	4/1956	Dominguez	3,819,100 A	6/1974	Noiles et al.
2,804,848 A	9/1957	O'Farrell et al.	3,821,919 A	7/1974	Knohl
2,808,482 A	10/1957	Zanichkowsky et al.	3,822,818 A	7/1974	Strekopytov et al.
2,825,178 A	3/1958	Hawkins	3,826,978 A	7/1974	Kelly
2,853,074 A	9/1958	Olson	3,836,171 A	9/1974	Hayashi et al.
2,856,192 A	10/1958	Schuster	3,837,555 A	9/1974	Green
2,887,004 A	5/1959	Stewart	3,841,474 A	10/1974	Maier
2,957,353 A	10/1960	Lewis	3,851,196 A	11/1974	Hinds
2,959,974 A	11/1960	Emrick	3,863,639 A	2/1975	Kleaveland
3,026,744 A	3/1962	Rouse	3,863,940 A	2/1975	Cummings
3,032,769 A	5/1962	Palmer	3,883,624 A	5/1975	McKenzie et al.
3,035,256 A	5/1962	Egbert	3,885,491 A	5/1975	Curtis
3,060,972 A	10/1962	Sheldon	3,887,393 A	6/1975	La Rue, Jr.
3,075,062 A	1/1963	Iaccarino	3,892,228 A	7/1975	Mitsui
3,078,465 A	2/1963	Bobrov	3,894,174 A	7/1975	Cartun
3,079,606 A	3/1963	Bobrov et al.	3,899,829 A	8/1975	Storm et al.
3,080,564 A	3/1963	Strekopitov et al.	3,902,247 A	9/1975	Fleer et al.
3,166,072 A	1/1965	Sullivan, Jr.	3,940,844 A	3/1976	Colby et al.
3,180,236 A	4/1965	Beckett	3,944,163 A	3/1976	Hayashi et al.
3,196,869 A	7/1965	Scholl	3,950,686 A	4/1976	Randall
3,204,731 A	9/1965	Bent et al.	3,952,747 A	4/1976	Kimmell, Jr.
3,252,643 A	5/1966	Strekopytov et al.	3,955,581 A	5/1976	Spasiano et al.
3,266,494 A	8/1966	Brownrigg et al.	3,959,879 A	6/1976	Sellers
3,269,630 A	8/1966	Fleischer	RE28,932 E	8/1976	Noiles et al.
3,269,631 A	8/1966	Takaro	3,972,734 A	8/1976	King
3,275,211 A	9/1966	Hirsch et al.	3,973,179 A	8/1976	Weber et al.
3,315,863 A	4/1967	O'Dea	3,981,051 A	9/1976	Brumlik
3,317,103 A	5/1967	Cullen et al.	3,999,110 A	12/1976	Ramstrom et al.
3,317,105 A	5/1967	Astafjev et al.	4,025,216 A	5/1977	Hives
3,357,296 A	12/1967	Lefever	4,027,746 A	6/1977	Kine
3,359,978 A	12/1967	Smith, Jr.	4,034,143 A	7/1977	Sweet
3,377,893 A	4/1968	Shorb	4,038,987 A	8/1977	Komiya
3,480,193 A	11/1969	Ralston	4,047,654 A	9/1977	Alvarado
3,490,675 A	1/1970	Green et al.	4,054,108 A	10/1977	Gill
3,494,533 A	2/1970	Green et al.	4,060,089 A	11/1977	Noiles
3,499,591 A	3/1970	Green	4,066,133 A	1/1978	Voss
3,503,396 A	3/1970	Pierie et al.	4,085,337 A	4/1978	Moeller
3,509,629 A	5/1970	Kidokoro	4,100,820 A	7/1978	Evet
3,551,987 A	1/1971	Wilkinson	4,106,446 A	8/1978	Yamada et al.
3,568,675 A	3/1971	Harvey	4,106,620 A	8/1978	Brimmer et al.
3,572,159 A	3/1971	Tschanz	4,108,211 A	8/1978	Tanaka
3,583,393 A	6/1971	Takahashi	4,111,206 A	9/1978	Vishnevsky et al.
3,589,589 A	6/1971	Akopov	4,127,227 A	11/1978	Green
3,598,943 A	8/1971	Barrett	4,129,059 A	12/1978	Van Eck
3,604,561 A	9/1971	Mallina et al.	4,132,146 A	1/1979	Uhlig
3,608,549 A	9/1971	Merrill	4,135,517 A	1/1979	Reale
3,618,842 A	11/1971	Bryan	4,149,461 A	4/1979	Simeth
			4,154,122 A	5/1979	Severin
			4,160,857 A	7/1979	Nardella et al.
			4,169,990 A	10/1979	Lerdman
			4,180,285 A	12/1979	Reneau

(56)

References Cited

U.S. PATENT DOCUMENTS

4,185,701 A	1/1980	Boys	4,448,194 A	5/1984	DiGiovanni et al.
4,190,042 A	2/1980	Sinnreich	4,451,743 A	5/1984	Suzuki et al.
4,198,734 A	4/1980	Brumlik	4,452,376 A	6/1984	Klieman et al.
4,198,982 A	4/1980	Fortner et al.	4,454,887 A	6/1984	Kruger
4,203,444 A	5/1980	Bonnell et al.	4,459,519 A	7/1984	Erdman
4,207,898 A	6/1980	Becht	4,461,305 A	7/1984	Cibley
4,213,562 A	7/1980	Garrett et al.	4,467,805 A	8/1984	Fukuda
4,226,242 A	10/1980	Jarvik	4,468,597 A	8/1984	Baumard et al.
4,239,431 A	12/1980	Davini	4,469,481 A	9/1984	Kobayashi
4,241,861 A	12/1980	Fleischer	4,470,414 A	9/1984	Imagawa et al.
4,244,372 A	1/1981	Kapitanov et al.	4,471,780 A	9/1984	Menges et al.
4,250,436 A	2/1981	Weissman	4,471,781 A	9/1984	Di Giovanni et al.
4,250,817 A	2/1981	Michel	4,473,077 A	9/1984	Noiles et al.
4,261,244 A	4/1981	Becht et al.	4,475,679 A	10/1984	Fleury, Jr.
4,272,002 A	6/1981	Moshofsky	4,476,864 A	10/1984	Tezel
4,272,662 A	6/1981	Simpson	4,478,220 A	10/1984	Di Giovanni et al.
4,274,304 A	6/1981	Curtiss	4,480,641 A	11/1984	Failla et al.
4,274,398 A	6/1981	Scott, Jr.	4,481,458 A	11/1984	Lane
4,275,813 A	6/1981	Noiles	4,483,562 A	11/1984	Schoolman
4,278,091 A	7/1981	Borzzone	4,485,816 A	12/1984	Krumme
4,282,573 A	8/1981	Imai et al.	4,485,817 A	12/1984	Swiggett
4,289,131 A	9/1981	Mueller	4,486,928 A	12/1984	Tucker et al.
4,289,133 A	9/1981	Rothfuss	4,488,523 A	12/1984	Shichman
4,290,542 A	9/1981	Fedotov et al.	4,489,875 A	12/1984	Crawford et al.
D261,356 S	10/1981	Robinson	4,493,983 A	1/1985	Taggart
4,293,604 A	10/1981	Campbell	4,494,057 A	1/1985	Hotta
4,296,654 A	10/1981	Mercer	4,499,895 A	2/1985	Takayama
4,296,881 A	10/1981	Lee	4,500,024 A	2/1985	DiGiovanni et al.
4,304,236 A	12/1981	Conta et al.	D278,081 S	3/1985	Green
4,305,539 A	12/1981	Korolkov et al.	4,503,842 A	3/1985	Takayama
4,312,363 A	1/1982	Rothfuss et al.	4,505,272 A	3/1985	Utyamyshev et al.
4,312,685 A	1/1982	Riedl	4,505,273 A	3/1985	Braun et al.
4,317,451 A	3/1982	Cerwin et al.	4,505,414 A	3/1985	Filipi
4,319,576 A	3/1982	Rothfuss	4,506,671 A	3/1985	Green
4,321,002 A	3/1982	Froehlich	4,512,038 A	4/1985	Alexander et al.
4,321,746 A	3/1982	Grinage	4,514,477 A	4/1985	Kobayashi
4,328,839 A	5/1982	Lyons et al.	4,520,817 A	6/1985	Green
4,331,277 A	5/1982	Green	4,522,327 A	6/1985	Korthoff et al.
4,340,331 A	7/1982	Savino	4,526,174 A	7/1985	Froehlich
4,347,450 A	8/1982	Colligan	4,527,724 A	7/1985	Chow et al.
4,348,603 A	9/1982	Huber	4,530,357 A	7/1985	Pawloski et al.
4,349,028 A	9/1982	Green	4,530,453 A	7/1985	Green
4,350,151 A	9/1982	Scott	4,531,522 A	7/1985	Bedi et al.
4,353,371 A	10/1982	Cosman	4,532,927 A	8/1985	Miksza, Jr.
4,357,940 A	11/1982	Muller	4,540,202 A	9/1985	Amphoux et al.
4,361,057 A	11/1982	Kochera	4,548,202 A	10/1985	Duncan
4,366,544 A	12/1982	Shima et al.	4,556,058 A	12/1985	Green
4,369,013 A	1/1983	Abildgaard et al.	4,560,915 A	12/1985	Soultanian
4,373,147 A	2/1983	Carlson, Jr.	4,565,109 A	1/1986	Tsay
4,376,380 A	3/1983	Burgess	4,565,189 A	1/1986	Mabuchi
4,379,457 A	4/1983	Gravener et al.	4,566,620 A	1/1986	Green et al.
4,380,312 A	4/1983	Landrus	4,569,346 A	2/1986	Poirier
4,382,326 A	5/1983	Rabuse	4,569,469 A	2/1986	Mongeon et al.
4,383,634 A	5/1983	Green	4,571,213 A	2/1986	Ishimoto
4,389,963 A	6/1983	Pearson	4,573,468 A	3/1986	Conta et al.
4,393,728 A	7/1983	Larson et al.	4,573,469 A	3/1986	Golden et al.
4,394,613 A	7/1983	Cole	4,573,622 A	3/1986	Green et al.
4,396,139 A	8/1983	Hall et al.	4,576,165 A	3/1986	Green et al.
4,397,311 A	8/1983	Kanshin et al.	4,576,167 A	3/1986	Noiles
4,402,445 A	9/1983	Green	4,580,712 A	4/1986	Green
4,406,621 A	9/1983	Bailey	4,585,153 A	4/1986	Failla et al.
4,408,692 A	10/1983	Sigel et al.	4,586,501 A	5/1986	Claracq
4,409,057 A	10/1983	Molenda et al.	4,586,502 A	5/1986	Bedi et al.
4,415,112 A	11/1983	Green	4,589,416 A	5/1986	Green
4,416,276 A	11/1983	Newton et al.	4,589,582 A	5/1986	Bilotti
4,417,890 A	11/1983	Dennehey et al.	4,589,870 A	5/1986	Citrin et al.
4,421,264 A	12/1983	Arter et al.	4,591,085 A	5/1986	Di Giovanni
4,423,456 A	12/1983	Zaidenweber	RE32,214 E	7/1986	Schramm
4,425,915 A	1/1984	Ivanov	4,597,753 A	7/1986	Turley
4,428,376 A	1/1984	Mericle	4,600,037 A	7/1986	Hatten
4,429,695 A	2/1984	Green	4,604,786 A	8/1986	Howie, Jr.
4,430,997 A	2/1984	DiGiovanni et al.	4,605,001 A	8/1986	Rothfuss et al.
4,434,796 A	3/1984	Karapetian et al.	4,605,004 A	8/1986	Di Giovanni et al.
4,438,659 A	3/1984	Desplats	4,606,343 A	8/1986	Conta et al.
4,442,964 A	4/1984	Becht	4,607,636 A	8/1986	Kula et al.
			4,607,638 A	8/1986	Crainich
			4,608,980 A	9/1986	Aihara
			4,608,981 A	9/1986	Rothfuss et al.
			4,610,250 A	9/1986	Green

(56)

References Cited

U.S. PATENT DOCUMENTS

4,610,383 A	9/1986	Rothfuss et al.	4,777,780 A	10/1988	Holzwarth
4,612,933 A	9/1986	Brinkerhoff et al.	4,781,186 A	11/1988	Simpson et al.
D286,180 S	10/1986	Korthoff	4,784,137 A	11/1988	Kulik et al.
D286,442 S	10/1986	Korthoff et al.	4,787,387 A	11/1988	Burbank, III et al.
4,617,893 A	10/1986	Donner et al.	4,788,485 A	11/1988	Kawagishi et al.
4,617,914 A	10/1986	Ueda	D298,967 S	12/1988	Hunt
4,619,262 A	10/1986	Taylor	4,788,978 A	12/1988	Strekopytov et al.
4,619,391 A	10/1986	Sharkany et al.	4,790,225 A	12/1988	Moody et al.
4,624,401 A	11/1986	Gassner et al.	4,790,314 A	12/1988	Weaver
D287,278 S	12/1986	Spreckelmeier	4,805,617 A	2/1989	Bedi et al.
4,628,459 A	12/1986	Shinohara et al.	4,805,823 A	2/1989	Rothfuss
4,628,636 A	12/1986	Folger	4,807,628 A	2/1989	Peters et al.
4,629,107 A	12/1986	Fedotov et al.	4,809,695 A	3/1989	Gwathmey et al.
4,632,290 A	12/1986	Green et al.	4,815,460 A	3/1989	Porat et al.
4,633,861 A	1/1987	Chow et al.	4,817,643 A	4/1989	Olson
4,633,874 A	1/1987	Chow et al.	4,817,847 A	4/1989	Redtenbacher et al.
4,634,419 A	1/1987	Kreizman et al.	4,819,853 A	4/1989	Green
4,635,638 A	1/1987	Weintraub et al.	4,821,939 A	4/1989	Green
4,641,076 A	2/1987	Linden	4,827,552 A	5/1989	Bojar et al.
4,642,618 A	2/1987	Johnson et al.	4,827,911 A	5/1989	Broadwin et al.
4,642,738 A	2/1987	Meller	4,828,542 A	5/1989	Hermann
4,643,173 A	2/1987	Bell et al.	4,828,944 A	5/1989	Yabe et al.
4,643,731 A	2/1987	Eckenhoff	4,830,855 A	5/1989	Stewart
4,646,722 A	3/1987	Silverstein et al.	4,832,158 A	5/1989	Farrar et al.
4,646,745 A	3/1987	Noiles	4,833,937 A	5/1989	Nagano
4,651,734 A	3/1987	Doss et al.	4,834,096 A	5/1989	Oh et al.
4,652,820 A	3/1987	Maresca	4,834,720 A	5/1989	Blinkhorn
4,654,028 A	3/1987	Suma	4,838,859 A	6/1989	Strassmann
4,655,222 A	4/1987	Florez et al.	4,844,068 A	7/1989	Arata et al.
4,662,555 A	5/1987	Thornton	4,848,637 A	7/1989	Pruitt
4,663,874 A	5/1987	Sano et al.	4,856,078 A	8/1989	Konopka
4,664,305 A	5/1987	Blake, III et al.	4,860,644 A	8/1989	Kohl et al.
4,665,916 A	5/1987	Green	4,862,891 A	9/1989	Smith
4,667,674 A	5/1987	Korthoff et al.	4,863,423 A	9/1989	Wallace
4,669,647 A	6/1987	Storace	4,865,030 A	9/1989	Polyak
4,671,278 A	6/1987	Chin	4,868,530 A	9/1989	Ahs
4,671,280 A	6/1987	Dorband et al.	4,868,958 A	9/1989	Suzuki et al.
4,671,445 A	6/1987	Barker et al.	4,869,414 A	9/1989	Green et al.
4,672,964 A	6/1987	Dee et al.	4,869,415 A	9/1989	Fox
4,675,944 A	6/1987	Wells	4,873,977 A	10/1989	Avant et al.
4,676,245 A	6/1987	Fukuda	4,875,486 A	10/1989	Rapoport et al.
4,679,460 A	7/1987	Yoshigai	4,880,015 A	11/1989	Nierman
4,679,719 A	7/1987	Kramer	4,890,613 A	1/1990	Golden et al.
4,684,051 A	8/1987	Akopov et al.	4,892,244 A	1/1990	Fox et al.
4,688,555 A	8/1987	Wardle	4,893,622 A	1/1990	Green et al.
4,691,703 A	9/1987	Auth et al.	4,894,051 A	1/1990	Shiber
4,693,248 A	9/1987	Failla	4,896,584 A	1/1990	Stoll et al.
4,698,579 A	10/1987	Richter et al.	4,896,678 A	1/1990	Ogawa
4,700,703 A	10/1987	Resnick et al.	4,900,303 A	2/1990	Lemelson
4,705,038 A	11/1987	Sjostrom et al.	4,903,697 A	2/1990	Resnick et al.
4,708,141 A	11/1987	Inoue et al.	4,909,789 A	3/1990	Taguchi et al.
4,709,120 A	11/1987	Pearson	4,915,100 A	4/1990	Green
4,715,520 A	12/1987	Roehr, Jr. et al.	4,919,679 A	4/1990	Averill et al.
4,719,917 A	1/1988	Barrows et al.	4,921,479 A	5/1990	Grayzel
4,721,099 A	1/1988	Chikama	4,925,082 A	5/1990	Kim
4,722,340 A	2/1988	Takayama et al.	4,928,699 A	5/1990	Sasai
4,724,840 A	2/1988	McVay et al.	4,930,503 A	6/1990	Pruitt
4,727,308 A	2/1988	Huljak et al.	4,930,674 A	6/1990	Barak
4,728,020 A	3/1988	Green et al.	4,931,047 A	6/1990	Broadwin et al.
4,728,876 A	3/1988	Mongeon et al.	4,931,737 A	6/1990	Hishiki
4,729,260 A	3/1988	Dudden	4,932,960 A	6/1990	Green et al.
4,730,726 A	3/1988	Holzwarth	4,933,800 A	6/1990	Yang
4,741,336 A	5/1988	Failla et al.	4,933,843 A	6/1990	Scheller et al.
4,743,214 A	5/1988	Tai-Cheng	D309,350 S	7/1990	Sutherland et al.
4,744,363 A	5/1988	Hasson	4,938,408 A	7/1990	Bedi et al.
4,747,820 A	5/1988	Hornlein et al.	4,941,623 A	7/1990	Pruitt
4,750,902 A	6/1988	Wuchinich et al.	4,943,182 A	7/1990	Hoblingre
4,752,024 A	6/1988	Green et al.	4,944,443 A	7/1990	Odds et al.
4,754,909 A	7/1988	Barker et al.	4,946,067 A	8/1990	Kelsall
4,755,070 A	7/1988	Cerutti	4,948,327 A	8/1990	Crupi, Jr.
4,761,326 A	8/1988	Barnes et al.	4,949,707 A	8/1990	LeVahn et al.
4,763,669 A	8/1988	Jaeger	4,950,268 A	8/1990	Rink
4,767,044 A	8/1988	Green	4,951,860 A	8/1990	Peters et al.
D297,764 S	9/1988	Hunt et al.	4,951,861 A	8/1990	Schulze et al.
4,773,420 A	9/1988	Green	4,954,960 A	9/1990	Lo et al.
			4,955,959 A	9/1990	Tompkins et al.
			4,957,212 A	9/1990	Duck et al.
			4,962,681 A	10/1990	Yang
			4,962,877 A	10/1990	Hervas

(56)

References Cited

U.S. PATENT DOCUMENTS

4,964,559 A	10/1990	Deniega et al.	5,122,156 A	6/1992	Granger et al.
4,964,863 A	10/1990	Kanshin et al.	5,124,990 A	6/1992	Williamson
4,965,709 A	10/1990	Ngo	5,129,570 A	7/1992	Schulze et al.
4,970,656 A	11/1990	Lo et al.	5,137,198 A	8/1992	Nobis et al.
4,973,274 A	11/1990	Hirukawa	5,139,513 A	8/1992	Segato
4,973,302 A	11/1990	Armour et al.	5,141,144 A	8/1992	Foslien et al.
4,976,173 A	12/1990	Yang	5,142,932 A	9/1992	Moya et al.
4,978,049 A	12/1990	Green	5,151,102 A	9/1992	Kamiyama et al.
4,978,333 A	12/1990	Broadwin et al.	5,155,941 A	10/1992	Takahashi et al.
4,979,952 A	12/1990	Kubota et al.	5,156,315 A	10/1992	Green et al.
4,984,564 A	1/1991	Yuen	5,156,609 A	10/1992	Nakao et al.
4,986,808 A	1/1991	Broadwin et al.	5,156,614 A	10/1992	Green et al.
4,987,049 A	1/1991	Komamura et al.	5,158,222 A	10/1992	Green et al.
4,988,334 A	1/1991	Hornlein et al.	5,158,567 A	10/1992	Green
4,995,877 A	2/1991	Ams et al.	5,158,699 S	11/1992	Gill
4,995,959 A	2/1991	Metzner	5,163,598 A	11/1992	Peters et al.
4,996,975 A	3/1991	Nakamura	5,164,652 A	11/1992	Johnson et al.
5,001,649 A	3/1991	Lo et al.	5,168,605 A	12/1992	Bartlett
5,002,543 A	3/1991	Bradshaw et al.	5,170,925 A	12/1992	Madden et al.
5,002,553 A	3/1991	Shiber	5,171,247 A	12/1992	Hughett et al.
5,005,754 A	4/1991	Van Overloop	5,171,249 A	12/1992	Stefanchik et al.
5,009,222 A	4/1991	Her	5,171,253 A	12/1992	Klieman
5,009,661 A	4/1991	Michelson	5,173,053 A	12/1992	Swanson et al.
5,012,411 A	4/1991	Policastro et al.	5,173,133 A	12/1992	Morin et al.
5,014,898 A	5/1991	Heidrich	5,176,677 A	1/1993	Wuchinich
5,014,899 A	5/1991	Presty et al.	5,176,688 A	1/1993	Narayan et al.
5,015,227 A	5/1991	Broadwin et al.	5,181,514 A	1/1993	Solomon et al.
5,018,515 A	5/1991	Gilman	5,187,422 A	2/1993	Izenbaard et al.
5,018,657 A	5/1991	Pedlick et al.	5,188,102 A	2/1993	Idemoto et al.
5,024,652 A	6/1991	Dumenek et al.	5,188,111 A	2/1993	Yates et al.
5,024,671 A	6/1991	Tu et al.	5,188,126 A	2/1993	Fabian et al.
5,025,559 A	6/1991	McCullough	5,190,517 A	2/1993	Fabian et al.
5,027,834 A	7/1991	Pruitt	5,190,544 A	3/1993	Zieve et al.
5,030,226 A	7/1991	Green et al.	5,190,560 A	3/1993	Chapman et al.
5,031,814 A	7/1991	Tompkins et al.	5,190,657 A	3/1993	Woods et al.
5,033,552 A	7/1991	Hu	5,192,288 A	3/1993	Heagle et al.
5,035,040 A	7/1991	Kerrigan et al.	5,193,731 A	3/1993	Thompson et al.
5,037,018 A	8/1991	Matsuda et al.	5,195,505 A	3/1993	Aranyi
5,038,109 A	8/1991	Goble et al.	5,195,968 A	3/1993	Josefsen
5,038,247 A	8/1991	Kelley et al.	5,197,648 A	3/1993	Lundquist et al.
5,040,715 A	8/1991	Green et al.	5,197,649 A	3/1993	Gingold
5,042,707 A	8/1991	Taheri	5,197,966 A	3/1993	Bessler et al.
5,056,953 A	10/1991	Marot et al.	5,197,970 A	3/1993	Sommerkamp
5,060,658 A	10/1991	Dejter, Jr. et al.	5,200,280 A	3/1993	Green et al.
5,061,269 A	10/1991	Muller	5,201,750 A	4/1993	Karasa
5,062,491 A	11/1991	Takeshima et al.	5,205,459 A	4/1993	Hoherl et al.
5,062,563 A	11/1991	Green et al.	5,207,672 A	4/1993	Brinkerhoff et al.
5,065,929 A	11/1991	Schulze et al.	5,207,697 A	5/1993	Roth et al.
5,071,052 A	12/1991	Rodak et al.	5,209,747 A	5/1993	Carusillo et al.
5,071,430 A	12/1991	de Salis et al.	5,209,756 A	5/1993	Knoepfler
5,074,454 A	12/1991	Peters	5,211,649 A	5/1993	Seedhom et al.
5,077,506 A	12/1991	Krause	5,211,655 A	5/1993	Kohler et al.
5,079,006 A	1/1992	Urquhart	5,217,457 A	5/1993	Hasson
5,080,556 A	1/1992	Carreno	5,217,478 A	6/1993	Delahuerga et al.
5,083,695 A	1/1992	Foslien et al.	5,219,111 A	6/1993	Rexroth
5,084,057 A	1/1992	Green et al.	5,220,269 A	6/1993	Bilotti et al.
5,088,979 A	2/1992	Filipi et al.	5,221,036 A	6/1993	Chen et al.
5,088,997 A	2/1992	Delahuerga et al.	5,221,281 A	6/1993	Takase
5,089,606 A	2/1992	Cole et al.	5,222,945 A	6/1993	Klicek
5,094,247 A	3/1992	Hernandez et al.	5,222,963 A	6/1993	Basnight
5,098,004 A	3/1992	Kerrigan	5,222,975 A	6/1993	Brinkerhoff et al.
5,098,360 A	3/1992	Hirota	5,222,976 A	6/1993	Crainich
5,100,042 A	3/1992	Gravener et al.	5,223,675 A	6/1993	Yoon
5,100,420 A	3/1992	Green et al.	D338,729 S	6/1993	Taft
5,100,422 A	3/1992	Berguer et al.	5,234,447 A	8/1993	Sprecklemeier et al.
5,104,025 A	4/1992	Main et al.	5,236,269 A	8/1993	Kaster et al.
5,104,397 A	4/1992	Vasconcelos et al.	5,236,424 A	8/1993	Handy
5,104,400 A	4/1992	Berguer et al.	5,236,440 A	8/1993	Imran
5,106,008 A	4/1992	Tompkins et al.	5,236,629 A	8/1993	Hlavacek
5,108,368 A	4/1992	Hammerslag et al.	5,239,981 A	8/1993	Mahabadi et al.
5,109,722 A	5/1992	Hufnagle et al.	5,240,163 A	8/1993	Anaplotis
5,111,987 A	5/1992	Moeinzadeh et al.	5,242,456 A	8/1993	Stein et al.
5,116,349 A	5/1992	Aranyi	5,242,457 A	9/1993	Nash et al.
D327,323 S	6/1992	Hunt	5,244,462 A	9/1993	Akopov et al.
5,119,009 A	6/1992	McCaleb et al.	5,246,156 A	9/1993	Delahuerga et al.
			5,246,443 A	9/1993	Rothfuss et al.
			5,251,801 A	9/1993	Mai
			5,253,793 A	10/1993	Ruckdeschel et al.
			5,258,007 A	10/1993	Green et al.
				11/1993	Spetzler et al.

(56)

References Cited

U.S. PATENT DOCUMENTS

5,258,008 A	11/1993	Wilk	5,339,799 A	8/1994	Kami et al.
5,258,009 A	11/1993	Connors	5,341,724 A	8/1994	Vatel
5,258,010 A	11/1993	Green et al.	5,341,807 A	8/1994	Nardella
5,258,012 A	11/1993	Luscombe et al.	5,341,810 A	8/1994	Dardel
5,259,366 A	11/1993	Reydel et al.	5,342,380 A	8/1994	Hood
5,259,835 A	11/1993	Clark et al.	5,342,381 A	8/1994	Tidemand
5,260,637 A	11/1993	Pizzi	5,342,385 A	8/1994	Norelli et al.
5,261,135 A	11/1993	Mitchell	5,342,395 A	8/1994	Jarrett et al.
5,261,877 A	11/1993	Fine et al.	5,342,396 A	8/1994	Cook
5,261,922 A	11/1993	Hood	5,343,382 A	8/1994	Hale et al.
5,263,629 A	11/1993	Trumbull et al.	5,343,391 A	8/1994	Mushabac
5,263,937 A	11/1993	Shipp	5,344,059 A	9/1994	Green et al.
5,263,973 A	11/1993	Cook	5,344,060 A	9/1994	Gravener et al.
5,264,218 A	11/1993	Rogozinski	5,344,454 A	9/1994	Clarke et al.
5,268,622 A	12/1993	Philipp	5,346,504 A	9/1994	Ortiz et al.
5,269,794 A	12/1993	Rexroth	5,348,259 A	9/1994	Blanco et al.
5,271,543 A	12/1993	Grant et al.	5,350,104 A	9/1994	Main et al.
5,271,544 A	12/1993	Fox et al.	5,350,355 A	9/1994	Sklar
RE34,519 E	1/1994	Fox et al.	5,350,388 A	9/1994	Epstein
5,275,322 A	1/1994	Brinkerhoff et al.	5,350,391 A	9/1994	Iacovelli
5,275,323 A	1/1994	Schulze et al.	5,350,400 A	9/1994	Esposito et al.
5,275,608 A	1/1994	Forman et al.	5,352,229 A	10/1994	Goble et al.
5,279,416 A	1/1994	Malec et al.	5,352,235 A	10/1994	Koros et al.
5,281,216 A	1/1994	Klicek	5,352,238 A	10/1994	Green et al.
5,281,400 A	1/1994	Berry, Jr.	5,353,798 A	10/1994	Sieben
5,282,806 A	2/1994	Haber et al.	5,354,250 A	10/1994	Christensen
5,282,826 A	2/1994	Quadri	5,354,303 A	10/1994	Spaeth et al.
5,282,829 A	2/1994	Hermes	5,355,897 A	10/1994	Pietrafitta et al.
5,284,128 A	2/1994	Hart	5,356,006 A	10/1994	Alpern et al.
5,285,381 A	2/1994	Iskarous et al.	5,356,064 A	10/1994	Green et al.
5,285,945 A	2/1994	Brinkerhoff et al.	5,358,506 A	10/1994	Green et al.
5,286,253 A	2/1994	Fucci	5,358,510 A	10/1994	Luscombe et al.
5,289,963 A	3/1994	McGarry et al.	5,359,231 A	10/1994	Flowers et al.
5,290,271 A	3/1994	Jernberg	D352,780 S	11/1994	Glaeser et al.
5,290,310 A	3/1994	Makower et al.	5,359,993 A	11/1994	Slater et al.
5,291,133 A	3/1994	Gokhale et al.	5,360,305 A	11/1994	Kerrigan
5,292,053 A	3/1994	Bilotti et al.	5,360,428 A	11/1994	Hutchinson, Jr.
5,293,024 A	3/1994	Sugahara et al.	5,361,902 A	11/1994	Abidin et al.
5,297,714 A	3/1994	Kramer	5,364,001 A	11/1994	Bryan
5,302,148 A	4/1994	Heinz	5,364,002 A	11/1994	Green et al.
5,303,606 A	4/1994	Kokinda	5,364,003 A	11/1994	Williamson, IV
5,304,204 A	4/1994	Bregen	5,366,133 A	11/1994	Geiste
D347,474 S	5/1994	Olson	5,366,134 A	11/1994	Green et al.
5,307,976 A	5/1994	Olson et al.	5,366,479 A	11/1994	McGarry et al.
5,308,353 A	5/1994	Beurrier	5,368,015 A	11/1994	Wilk
5,308,358 A	5/1994	Bond et al.	5,368,592 A	11/1994	Stern et al.
5,308,576 A	5/1994	Green et al.	5,368,599 A	11/1994	Hirsch et al.
5,309,387 A	5/1994	Mori et al.	5,369,565 A	11/1994	Chen et al.
5,309,927 A	5/1994	Welch	5,370,645 A	12/1994	Klicek et al.
5,312,023 A	5/1994	Green et al.	5,372,124 A	12/1994	Takayama et al.
5,312,024 A	5/1994	Grant et al.	5,372,596 A	12/1994	Klicek et al.
5,312,329 A	5/1994	Beaty et al.	5,372,602 A	12/1994	Burke
5,313,935 A	5/1994	Kortenbach et al.	5,374,277 A	12/1994	Hassler
5,313,967 A	5/1994	Lieber et al.	5,375,588 A	12/1994	Yoon
5,314,424 A	5/1994	Nicholas	5,376,095 A	12/1994	Ortiz
5,314,445 A	5/1994	Heidmueller nee Degwitz et al.	5,379,933 A	1/1995	Green et al.
5,314,466 A	5/1994	Stern et al.	5,381,649 A	1/1995	Webb
5,318,221 A	6/1994	Green et al.	5,381,782 A	1/1995	DeLaRama et al.
5,320,627 A	6/1994	Sorensen et al.	5,381,943 A	1/1995	Allen et al.
D348,930 S	7/1994	Olson	5,382,247 A	1/1995	Cimino et al.
5,326,013 A	7/1994	Green et al.	5,383,460 A	1/1995	Jang et al.
5,329,923 A	7/1994	Lundquist	5,383,874 A	1/1995	Jackson et al.
5,330,486 A	7/1994	Wilk	5,383,880 A	1/1995	Hooven
5,330,487 A	7/1994	Thornton et al.	5,383,881 A	1/1995	Green et al.
5,330,502 A	7/1994	Hassler et al.	5,383,882 A	1/1995	Buess et al.
5,331,971 A	7/1994	Bales et al.	5,383,888 A	1/1995	Zvenyatsky et al.
5,332,142 A	7/1994	Robinson et al.	5,383,895 A	1/1995	Holmes et al.
5,333,422 A	8/1994	Warren et al.	5,388,568 A	2/1995	van der Heide
5,333,772 A	8/1994	Rothfuss et al.	5,389,072 A	2/1995	Imran
5,333,773 A	8/1994	Main et al.	5,389,098 A	2/1995	Tsuruta et al.
5,334,183 A	8/1994	Wuchinich	5,389,102 A	2/1995	Green et al.
5,336,130 A	8/1994	Ray	5,389,104 A	2/1995	Hahnen et al.
5,336,229 A	8/1994	Noda	5,391,180 A	2/1995	Tovey et al.
5,336,232 A	8/1994	Green et al.	5,392,979 A	2/1995	Green et al.
5,338,317 A	8/1994	Hasson et al.	5,395,030 A	3/1995	Kuramoto et al.
			5,395,033 A	3/1995	Byrne et al.
			5,395,034 A	3/1995	Allen et al.
			5,395,312 A	3/1995	Desai
			5,395,384 A	3/1995	Duthoit et al.

(56)

References Cited

U.S. PATENT DOCUMENTS

5,397,046 A	3/1995	Savage et al.	5,454,827 A	10/1995	Aust et al.
5,397,324 A	3/1995	Carroll et al.	5,456,401 A	10/1995	Green et al.
5,400,267 A	3/1995	Denen et al.	5,456,917 A	10/1995	Wise et al.
5,403,276 A	4/1995	Schechter et al.	5,458,279 A	10/1995	Plyley
5,403,312 A	4/1995	Yates et al.	5,458,579 A	10/1995	Chodorow et al.
5,404,106 A	4/1995	Matsuda	5,462,215 A	10/1995	Viola et al.
5,404,870 A	4/1995	Brinkerhoff et al.	5,464,013 A	11/1995	Lemelson
5,404,960 A	4/1995	Wada et al.	5,464,144 A	11/1995	Guy et al.
5,405,072 A	4/1995	Zlock et al.	5,464,300 A	11/1995	Crainich
5,405,073 A	4/1995	Porter	5,465,819 A	11/1995	Weilant et al.
5,405,344 A	4/1995	Williamson et al.	5,465,894 A	11/1995	Clark et al.
5,405,360 A	4/1995	Tovey	5,465,895 A	11/1995	Knodel et al.
5,407,293 A	4/1995	Crainich	5,465,896 A	11/1995	Allen et al.
5,408,409 A	4/1995	Glassman et al.	5,466,020 A	11/1995	Page et al.
5,409,498 A	4/1995	Braddock et al.	5,467,911 A	11/1995	Tsuruta et al.
5,409,703 A	4/1995	McAnalley et al.	5,468,253 A	11/1995	Bezwada et al.
D357,981 S	5/1995	Green et al.	5,470,006 A	11/1995	Rodak
5,411,481 A	5/1995	Allen et al.	5,470,007 A	11/1995	Plyley et al.
5,411,508 A	5/1995	Bessler et al.	5,470,008 A	11/1995	Rodak
5,413,107 A	5/1995	Oakley et al.	5,470,009 A	11/1995	Rodak
5,413,267 A	5/1995	Solyntjes et al.	5,470,010 A	11/1995	Rothfuss et al.
5,413,268 A	5/1995	Green et al.	5,471,129 A	11/1995	Mann
5,413,272 A	5/1995	Green et al.	5,472,132 A	12/1995	Savage et al.
5,413,573 A	5/1995	Koivukangas	5,472,442 A	12/1995	Klicek
5,415,334 A	5/1995	Williamson et al.	5,473,204 A	12/1995	Temple
5,415,335 A	5/1995	Knodell, Jr.	5,474,057 A	12/1995	Makower et al.
5,417,203 A	5/1995	Tovey et al.	5,474,223 A	12/1995	Viola et al.
5,417,361 A	5/1995	Williamson, IV	5,474,566 A	12/1995	Alesi et al.
5,419,766 A	5/1995	Chang et al.	5,474,570 A	12/1995	Kockerling et al.
5,421,829 A	6/1995	Olichney et al.	5,474,738 A	12/1995	Nichols et al.
5,422,567 A	6/1995	Matsunaga	5,476,206 A	12/1995	Green et al.
5,423,471 A	6/1995	Mastri et al.	5,476,479 A	12/1995	Green et al.
5,423,809 A	6/1995	Klicek	5,476,481 A	12/1995	Schondorf
5,423,835 A	6/1995	Green et al.	5,478,003 A	12/1995	Green et al.
5,425,355 A	6/1995	Kulick	5,478,308 A	12/1995	Cartmell et al.
5,425,745 A	6/1995	Green et al.	5,478,354 A	12/1995	Tovey et al.
5,427,298 A	6/1995	Tegtmeier	5,480,089 A	1/1996	Blewett
5,431,322 A	7/1995	Green et al.	5,480,409 A	1/1996	Riza
5,431,323 A	7/1995	Smith et al.	5,482,197 A	1/1996	Green et al.
5,431,645 A	7/1995	Smith et al.	5,483,952 A	1/1996	Aranyi
5,431,654 A	7/1995	Nic	5,484,095 A	1/1996	Green et al.
5,431,666 A	7/1995	Sauer et al.	5,484,398 A	1/1996	Stoddard
5,431,668 A	7/1995	Burbank, III et al.	5,484,451 A	1/1996	Akopov et al.
5,433,721 A	7/1995	Hooven et al.	5,485,947 A	1/1996	Olson et al.
5,437,681 A	8/1995	Meade et al.	5,485,952 A	1/1996	Fontayne
5,438,302 A	8/1995	Goble	5,487,377 A	1/1996	Smith et al.
5,438,997 A	8/1995	Sieben et al.	5,487,499 A	1/1996	Sorrentino et al.
5,439,155 A	8/1995	Viola	5,487,500 A	1/1996	Knodel et al.
5,439,156 A	8/1995	Grant et al.	5,489,058 A	2/1996	Plyley et al.
5,439,479 A	8/1995	Shichman et al.	5,489,256 A	2/1996	Adair
5,441,191 A	8/1995	Linden	5,489,290 A	2/1996	Furnish
5,441,193 A	8/1995	Gravener	5,490,819 A	2/1996	Nicholas et al.
5,441,483 A	8/1995	Avitall	5,492,671 A	2/1996	Krafft
5,441,494 A	8/1995	Ortiz	5,496,312 A	3/1996	Klicek
5,441,499 A	8/1995	Fritzsich	5,496,317 A	3/1996	Goble et al.
5,443,197 A	8/1995	Malis et al.	5,497,933 A	3/1996	DeFonzo et al.
5,443,198 A	8/1995	Viola et al.	5,498,164 A	3/1996	Ward et al.
5,443,463 A	8/1995	Stern et al.	5,498,838 A	3/1996	Furman
5,444,113 A	8/1995	Sinclair et al.	5,501,654 A	3/1996	Failla et al.
5,445,155 A	8/1995	Sieben	5,503,320 A	4/1996	Webster et al.
5,445,304 A	8/1995	Plyley et al.	5,503,635 A	4/1996	Sauer et al.
5,445,604 A	8/1995	Lang	5,503,638 A	4/1996	Cooper et al.
5,445,644 A	8/1995	Pietrafitta et al.	5,505,363 A	4/1996	Green et al.
5,446,646 A	8/1995	Miyazaki	5,507,425 A	4/1996	Ziglioli
5,447,265 A	9/1995	Vidal et al.	5,507,426 A	4/1996	Young et al.
5,447,417 A	9/1995	Kuhl et al.	5,507,773 A	4/1996	Huitema et al.
5,447,513 A	9/1995	Davison et al.	5,509,596 A	4/1996	Green et al.
5,449,355 A	9/1995	Rhum et al.	5,509,916 A	4/1996	Taylor
5,449,365 A	9/1995	Green et al.	5,509,918 A	4/1996	Romano
5,449,370 A	9/1995	Vaitekunas	5,511,564 A	4/1996	Wilk
5,452,836 A	9/1995	Huitema et al.	5,514,129 A	5/1996	Smith
5,452,837 A	9/1995	Williamson, IV et al.	5,514,149 A	5/1996	Green et al.
5,454,378 A	10/1995	Palmer et al.	5,514,157 A	5/1996	Nicholas et al.
5,454,822 A	10/1995	Schob et al.	5,518,163 A	5/1996	Hooven
5,454,824 A	10/1995	Fontayne et al.	5,518,164 A	5/1996	Hooven
			5,520,609 A	5/1996	Moll et al.
			5,520,634 A	5/1996	Fox et al.
			5,520,678 A	5/1996	Heckele et al.
			5,520,700 A	5/1996	Beyar et al.

(56)

References Cited

U.S. PATENT DOCUMENTS

5,522,817 A	6/1996	Sander et al.	5,582,617 A	12/1996	Klieman et al.
5,522,831 A	6/1996	Sleister et al.	5,582,907 A	12/1996	Pall
5,527,264 A	6/1996	Moll et al.	5,583,114 A	12/1996	Barrows et al.
5,527,320 A	6/1996	Carruthers et al.	5,584,425 A	12/1996	Savage et al.
5,529,235 A	6/1996	Boiarski et al.	5,586,711 A	12/1996	Plyley et al.
D372,086 S	7/1996	Grasso et al.	5,588,579 A	12/1996	Schnut et al.
5,531,305 A	7/1996	Roberts et al.	5,588,580 A	12/1996	Paul et al.
5,531,744 A	7/1996	Nardella et al.	5,588,581 A	12/1996	Conlon et al.
5,531,856 A	7/1996	Moll et al.	5,591,170 A	1/1997	Spievack et al.
5,533,521 A	7/1996	Granger	5,591,187 A	1/1997	Dekel
5,533,581 A	7/1996	Barth et al.	5,597,107 A	1/1997	Knodel et al.
5,533,661 A	7/1996	Main et al.	5,599,151 A	2/1997	Daum et al.
5,535,934 A	7/1996	Boiarski et al.	5,599,279 A	2/1997	Slotman et al.
5,535,935 A	7/1996	Vidal et al.	5,599,344 A	2/1997	Paterson
5,535,937 A	7/1996	Boiarski et al.	5,599,350 A	2/1997	Schulze et al.
5,540,375 A	7/1996	Bolanos et al.	5,599,852 A	2/1997	Scopelianos et al.
5,540,705 A	7/1996	Meade et al.	5,601,224 A	2/1997	Bishop et al.
5,541,376 A	7/1996	Ladtchow et al.	5,601,573 A	2/1997	Fogelberg et al.
5,541,489 A	7/1996	Dunstan	5,601,604 A	2/1997	Vincent
5,542,594 A	8/1996	McKean et al.	5,602,449 A	2/1997	Krause et al.
5,542,945 A	8/1996	Fritzsich	5,603,443 A	2/1997	Clark et al.
5,542,949 A	8/1996	Yoon	5,605,272 A	2/1997	Witt et al.
5,543,119 A	8/1996	Sutter et al.	5,605,273 A	2/1997	Hamblin et al.
5,543,695 A	8/1996	Culp et al.	5,607,094 A	3/1997	Clark et al.
5,544,802 A	8/1996	Crainich	5,607,095 A	3/1997	Smith et al.
5,547,117 A	8/1996	Hamblin et al.	5,607,433 A	3/1997	Polla et al.
5,549,583 A	8/1996	Sanford et al.	5,607,436 A	3/1997	Pratt et al.
5,549,621 A	8/1996	Bessler et al.	5,607,450 A	3/1997	Zvenyatsky et al.
5,549,627 A	8/1996	Kieturakis	5,607,474 A	3/1997	Athanasidou et al.
5,549,628 A	8/1996	Cooper et al.	5,609,285 A	3/1997	Grant et al.
5,549,637 A	8/1996	Crainich	5,609,601 A	3/1997	Kolesa et al.
5,551,622 A	9/1996	Yoon	5,611,709 A	3/1997	McAnulty
5,553,624 A	9/1996	Francese et al.	5,613,499 A	3/1997	Palmer et al.
5,553,675 A	9/1996	Pitzen et al.	5,613,937 A	3/1997	Garrison et al.
5,553,765 A	9/1996	Knodel et al.	5,613,966 A	3/1997	Makower et al.
5,554,148 A	9/1996	Aebischer et al.	5,614,887 A	3/1997	Buchbinder
5,554,169 A	9/1996	Green et al.	5,615,820 A	4/1997	Viola
5,556,020 A	9/1996	Hou	5,618,294 A	4/1997	Aust et al.
5,556,416 A	9/1996	Clark et al.	5,618,303 A	4/1997	Marlow et al.
5,558,533 A	9/1996	Hashizawa et al.	5,618,307 A	4/1997	Donlon et al.
5,558,665 A	9/1996	Kieturakis	5,619,992 A	4/1997	Guthrie et al.
5,558,671 A	9/1996	Yates	5,620,289 A	4/1997	Curry
5,560,530 A	10/1996	Bolanos et al.	5,620,326 A	4/1997	Younker
5,560,532 A	10/1996	DeFonzo et al.	5,620,452 A	4/1997	Yoon
5,561,881 A	10/1996	Klinger et al.	5,624,398 A	4/1997	Smith et al.
5,562,239 A	10/1996	Boiarski et al.	5,624,452 A	4/1997	Yates
5,562,241 A	10/1996	Knodel et al.	5,626,587 A	5/1997	Bishop et al.
5,562,682 A	10/1996	Oberlin et al.	5,626,595 A	5/1997	Sklar et al.
5,562,690 A	10/1996	Green et al.	5,626,979 A	5/1997	Mitsui et al.
5,562,694 A	10/1996	Sauer et al.	5,628,446 A	5/1997	Geiste et al.
5,562,701 A	10/1996	Huitema et al.	5,628,743 A	5/1997	Cimino
5,562,702 A	10/1996	Huitema et al.	5,628,745 A	5/1997	Bek
5,563,481 A	10/1996	Krause	5,630,539 A	5/1997	Plyley et al.
5,564,615 A	10/1996	Bishop et al.	5,630,540 A	5/1997	Blewett
5,569,161 A	10/1996	Ebling et al.	5,630,541 A	5/1997	Williamson, IV et al.
5,569,270 A	10/1996	Weng	5,630,782 A	5/1997	Adair
5,569,284 A	10/1996	Young et al.	5,631,973 A	5/1997	Green
5,571,090 A	11/1996	Sherts	5,632,432 A	5/1997	Schulze et al.
5,571,100 A	11/1996	Goble et al.	5,632,433 A	5/1997	Grant et al.
5,571,116 A	11/1996	Bolanos et al.	5,633,374 A	5/1997	Humphrey et al.
5,571,285 A	11/1996	Chow et al.	5,634,584 A	6/1997	Okorochoa et al.
5,571,488 A	11/1996	Beerstecher et al.	5,636,779 A	6/1997	Palmer
5,573,169 A	11/1996	Green et al.	5,636,780 A	6/1997	Green et al.
5,573,543 A	11/1996	Akopov et al.	5,637,110 A	6/1997	Pennybacker et al.
5,574,431 A	11/1996	McKeown et al.	5,638,582 A	6/1997	Klatt et al.
5,575,054 A	11/1996	Klinzing et al.	5,639,008 A	6/1997	Gallagher et al.
5,575,789 A	11/1996	Bell et al.	D381,077 S	7/1997	Hunt
5,575,799 A	11/1996	Bolanos et al.	5,643,291 A	7/1997	Pier et al.
5,575,803 A	11/1996	Cooper et al.	5,643,293 A	7/1997	Kogasaka et al.
5,575,805 A	11/1996	Li	5,643,294 A	7/1997	Tovey et al.
5,577,654 A	11/1996	Bishop	5,643,319 A	7/1997	Green et al.
5,578,052 A	11/1996	Koros et al.	5,645,209 A	7/1997	Green et al.
5,579,978 A	12/1996	Green et al.	5,647,526 A	7/1997	Green et al.
5,580,067 A	12/1996	Hamblin et al.	5,647,869 A	7/1997	Goble et al.
5,582,611 A	12/1996	Tsuruta et al.	5,649,937 A	7/1997	Bitto et al.
			5,649,956 A	7/1997	Jensen et al.
			5,651,491 A	7/1997	Heaton et al.
			5,651,762 A	7/1997	Bridges
			5,651,821 A	7/1997	Uchida

(56)

References Cited

U.S. PATENT DOCUMENTS

5,653,373 A	8/1997	Green et al.	5,712,460 A	1/1998	Carr et al.
5,653,374 A	8/1997	Young et al.	5,713,128 A	2/1998	Schrenk et al.
5,653,677 A	8/1997	Okada et al.	5,713,505 A	2/1998	Huitema
5,653,721 A	8/1997	Knodel et al.	5,713,895 A	2/1998	Lontine et al.
5,653,748 A	8/1997	Strecker	5,713,896 A	2/1998	Nardella
5,655,698 A	8/1997	Yoon	5,713,920 A	2/1998	Bezwada et al.
5,656,917 A	8/1997	Theobald	5,715,604 A	2/1998	Lanzoni
5,657,417 A	8/1997	Di Troia	5,715,836 A	2/1998	Kliegis et al.
5,657,429 A	8/1997	Wang et al.	5,715,987 A	2/1998	Kelley et al.
5,657,921 A	8/1997	Young et al.	5,715,988 A	2/1998	Palmer
5,658,238 A	8/1997	Suzuki et al.	5,716,352 A	2/1998	Viola et al.
5,658,281 A	8/1997	Heard	5,716,366 A	2/1998	Yates
5,658,298 A	8/1997	Vincent et al.	5,718,359 A	2/1998	Palmer et al.
5,658,300 A	8/1997	Bito et al.	5,718,360 A	2/1998	Green et al.
5,658,307 A	8/1997	Exconde	5,718,548 A	2/1998	Cotellessa
5,662,258 A	9/1997	Knodel et al.	5,718,714 A	2/1998	Livneh
5,662,260 A	9/1997	Yoon	5,720,744 A	2/1998	Eggleston et al.
5,662,662 A	9/1997	Bishop et al.	D393,067 S	3/1998	Geary et al.
5,662,667 A	9/1997	Knodel	5,724,025 A	3/1998	Tavori
5,664,404 A	9/1997	Ivanov et al.	5,725,536 A	3/1998	Oberlin et al.
5,665,085 A	9/1997	Nardella	5,725,554 A	3/1998	Simon et al.
5,667,517 A	9/1997	Hooven	5,728,110 A	3/1998	Vidal et al.
5,667,526 A	9/1997	Levin	5,728,113 A	3/1998	Sherts
5,667,527 A	9/1997	Cook	5,728,121 A	3/1998	Bimbo et al.
5,667,864 A	9/1997	Landoll	5,730,758 A	3/1998	Allgeyer
5,669,544 A	9/1997	Schulze et al.	5,732,712 A	3/1998	Adair
5,669,904 A	9/1997	Platt, Jr. et al.	5,732,821 A	3/1998	Stone et al.
5,669,907 A	9/1997	Platt, Jr. et al.	5,732,871 A	3/1998	Clark et al.
5,669,918 A	9/1997	Balazs et al.	5,732,872 A	3/1998	Bolduc et al.
5,672,945 A	9/1997	Krause	5,733,308 A	3/1998	Daugherty et al.
5,673,840 A	10/1997	Schulze et al.	5,735,445 A	4/1998	Vidal et al.
5,673,841 A	10/1997	Schulze et al.	5,735,848 A	4/1998	Yates et al.
5,673,842 A	10/1997	Bittner et al.	5,735,874 A	4/1998	Measamer et al.
5,674,184 A	10/1997	Hassler, Jr.	5,736,271 A	4/1998	Cisar et al.
5,674,286 A	10/1997	D'Alessio et al.	5,738,474 A	4/1998	Blewett
5,678,748 A	10/1997	Plyley et al.	5,738,629 A	4/1998	Moll et al.
5,680,981 A	10/1997	Mililli et al.	5,738,648 A	4/1998	Lands et al.
5,680,982 A	10/1997	Schulze et al.	5,741,271 A	4/1998	Nakao et al.
5,680,983 A	10/1997	Plyley et al.	5,743,456 A	4/1998	Jones et al.
5,681,341 A	10/1997	Lunsford et al.	5,747,953 A	5/1998	Philipp
5,683,349 A	11/1997	Makower et al.	5,749,889 A	5/1998	Bacich et al.
5,685,474 A	11/1997	Seeber	5,749,893 A	5/1998	Vidal et al.
5,686,090 A	11/1997	Schilder et al.	5,749,896 A	5/1998	Cook
5,688,270 A	11/1997	Yates et al.	5,749,968 A	5/1998	Melanson et al.
5,690,269 A	11/1997	Bolanos et al.	5,752,644 A	5/1998	Bolanos et al.
5,690,675 A	11/1997	Sawyer et al.	5,752,965 A	5/1998	Francis et al.
5,692,668 A	12/1997	Schulze et al.	5,752,970 A	5/1998	Yoon
5,693,020 A	12/1997	Rauh	5,752,973 A	5/1998	Kieturakis
5,693,042 A	12/1997	Boiarski et al.	5,755,717 A	5/1998	Yates et al.
5,693,051 A	12/1997	Schulze et al.	5,755,726 A	5/1998	Pratt et al.
5,695,494 A	12/1997	Becker	5,758,814 A	6/1998	Gallagher et al.
5,695,502 A	12/1997	Pier et al.	5,762,255 A	6/1998	Chrisman et al.
5,695,504 A	12/1997	Gifford, III et al.	5,762,256 A	6/1998	Mastri et al.
5,695,524 A	12/1997	Kelley et al.	5,762,458 A	6/1998	Wang et al.
5,697,542 A	12/1997	Knodel et al.	5,765,565 A	6/1998	Adair
5,697,543 A	12/1997	Burdorff	5,766,186 A	6/1998	Faraz et al.
5,697,909 A	12/1997	Eggers et al.	5,766,188 A	6/1998	Igaki
5,697,943 A	12/1997	Sauer et al.	5,766,205 A	6/1998	Zvenyatsky et al.
5,700,270 A	12/1997	Peyser et al.	5,769,303 A	6/1998	Knodel et al.
5,700,276 A	12/1997	Benecke	5,769,640 A	6/1998	Jacobus et al.
5,702,387 A	12/1997	Arts et al.	5,769,748 A	6/1998	Eyerly et al.
5,702,408 A	12/1997	Wales et al.	5,769,791 A	6/1998	Benaron et al.
5,702,409 A	12/1997	Rayburn et al.	5,769,892 A	6/1998	Kingwell
5,704,087 A	1/1998	Strub	5,772,099 A	6/1998	Gravener
5,704,534 A	1/1998	Huitema et al.	5,772,379 A	6/1998	Evensen
5,704,792 A	1/1998	Sobhani	5,772,578 A	6/1998	Heimberger et al.
5,706,997 A	1/1998	Green et al.	5,772,659 A	6/1998	Becker et al.
5,706,998 A	1/1998	Plyley et al.	5,773,991 A	6/1998	Chen
5,707,392 A	1/1998	Kortenbach	5,776,130 A	7/1998	Buysse et al.
5,709,334 A	1/1998	Sorrentino et al.	5,778,939 A	7/1998	Hok-Yin
5,709,335 A	1/1998	Heck	5,779,130 A	7/1998	Alesi et al.
5,709,680 A	1/1998	Yates et al.	5,779,131 A	7/1998	Knodel et al.
5,709,706 A	1/1998	Kienzle et al.	5,779,132 A	7/1998	Knodel et al.
5,711,472 A	1/1998	Bryan	5,782,396 A	7/1998	Mastri et al.
5,711,960 A	1/1998	Shikinami	5,782,397 A	7/1998	Koukline
			5,782,748 A	7/1998	Palmer et al.
			5,782,749 A	7/1998	Riza
			5,782,859 A	7/1998	Nicholas et al.
			5,784,934 A	7/1998	Izumisawa

(56)

References Cited

U.S. PATENT DOCUMENTS

5,785,232 A	7/1998	Vidal et al.	5,853,366 A	12/1998	Dowlatshahi
5,785,647 A	7/1998	Tompkins et al.	5,855,311 A	1/1999	Hamblin et al.
5,787,897 A	8/1998	Kieturakis	5,855,583 A	1/1999	Wang et al.
5,791,231 A	8/1998	Cohn et al.	5,860,581 A	1/1999	Robertson et al.
5,792,135 A	8/1998	Madhani et al.	5,860,975 A	1/1999	Goble et al.
5,792,162 A	8/1998	Jolly et al.	5,865,361 A	2/1999	Milliman et al.
5,792,165 A	8/1998	Klieman et al.	5,865,638 A	2/1999	Trafton
5,792,573 A	8/1998	Pitzen et al.	5,868,361 A	2/1999	Rinderer
5,794,834 A	8/1998	Hamblin et al.	5,868,664 A	2/1999	Speier et al.
5,796,188 A	8/1998	Bays	5,868,760 A	2/1999	McGuckin, Jr.
5,797,536 A	8/1998	Smith et al.	5,868,790 A	2/1999	Vincent et al.
5,797,537 A	8/1998	Oberlin et al.	5,871,135 A	2/1999	Williamson, IV et al.
5,797,538 A	8/1998	Heaton et al.	5,873,885 A	2/1999	Weidenbenner
5,797,637 A	8/1998	Ervin	5,876,401 A	3/1999	Schulze et al.
5,797,900 A	8/1998	Madhani et al.	5,878,193 A	3/1999	Wang et al.
5,797,906 A	8/1998	Rhum et al.	5,878,607 A	3/1999	Nunes et al.
5,797,927 A	8/1998	Yoon	5,878,937 A	3/1999	Green et al.
5,797,941 A	8/1998	Schulze et al.	5,878,938 A	3/1999	Bittner et al.
5,797,959 A	8/1998	Castro et al.	5,881,777 A	3/1999	Bassi et al.
5,799,857 A	9/1998	Robertson et al.	5,881,943 A	3/1999	Heck et al.
5,800,379 A	9/1998	Edwards	5,891,094 A	4/1999	Masterson et al.
5,800,423 A	9/1998	Jensen	5,891,160 A	4/1999	Williamson, IV et al.
5,804,726 A	9/1998	Geib et al.	5,891,558 A	4/1999	Bell et al.
5,804,936 A	9/1998	Brodsky et al.	5,893,506 A	4/1999	Powell
5,806,676 A	9/1998	Wasgien	5,893,835 A	4/1999	Witt et al.
5,807,241 A	9/1998	Heimberger	5,893,878 A	4/1999	Pierce
5,807,376 A	9/1998	Viola et al.	5,894,979 A	4/1999	Powell
5,807,378 A	9/1998	Jensen et al.	5,897,552 A	4/1999	Edwards et al.
5,807,393 A	9/1998	Williamson, IV et al.	5,897,562 A	4/1999	Bolanos et al.
5,809,441 A	9/1998	McKee	5,899,824 A	5/1999	Kurtz et al.
5,810,240 A	9/1998	Robertson	5,899,914 A	5/1999	Zirps et al.
5,810,721 A	9/1998	Mueller et al.	5,901,895 A	5/1999	Heaton et al.
5,810,811 A	9/1998	Yates et al.	5,902,312 A	5/1999	Frater et al.
5,810,846 A	9/1998	Virnich et al.	5,903,117 A	5/1999	Gregory
5,810,855 A	9/1998	Rayburn et al.	5,904,647 A	5/1999	Ouchi
5,812,188 A	9/1998	Adair	5,904,693 A	5/1999	Dicesare et al.
5,813,813 A	9/1998	Daum et al.	5,904,702 A	5/1999	Ek et al.
5,814,055 A	9/1998	Knodel et al.	5,906,577 A	5/1999	Beane et al.
5,814,057 A	9/1998	Oi et al.	5,906,625 A	5/1999	Bito et al.
5,816,471 A	10/1998	Plyley et al.	5,907,211 A	5/1999	Hall et al.
5,817,084 A	10/1998	Jensen	5,907,664 A	5/1999	Wang et al.
5,817,091 A	10/1998	Nardella et al.	5,908,402 A	6/1999	Blythe
5,817,093 A	10/1998	Williamson, IV et al.	5,908,427 A	6/1999	McKean et al.
5,817,109 A	10/1998	McGarry et al.	5,909,062 A	6/1999	Krietzman
5,817,119 A	10/1998	Klieman et al.	5,911,353 A	6/1999	Bolanos et al.
5,820,009 A	10/1998	Melling et al.	5,915,616 A	6/1999	Viola et al.
5,823,066 A	10/1998	Huitema et al.	5,916,225 A	6/1999	Kugel
5,824,333 A	10/1998	Scopelianos et al.	5,918,791 A	7/1999	Sorrentino et al.
5,826,776 A	10/1998	Schulze et al.	5,919,198 A	7/1999	Graves, Jr. et al.
5,827,271 A	10/1998	Buysse et al.	5,921,956 A	7/1999	Grinberg et al.
5,827,298 A	10/1998	Hart et al.	5,924,864 A	7/1999	Loge et al.
5,827,323 A	10/1998	Klieman et al.	5,928,137 A	7/1999	Green
5,829,662 A	11/1998	Allen et al.	5,928,256 A	7/1999	Riza
5,830,598 A	11/1998	Patterson	5,931,847 A	8/1999	Bittner et al.
5,833,690 A	11/1998	Yates et al.	5,931,853 A	8/1999	McEwen et al.
5,833,695 A	11/1998	Yoon	5,937,951 A	8/1999	Izuchukwu et al.
5,833,696 A	11/1998	Whitfield et al.	5,938,667 A	8/1999	Peysen et al.
5,836,503 A	11/1998	Ehrenfels et al.	5,941,442 A	8/1999	Geiste et al.
5,836,960 A	11/1998	Kolesa et al.	5,941,890 A	8/1999	Voegele et al.
5,839,369 A	11/1998	Chatterjee et al.	5,944,172 A	8/1999	Hannula
5,839,639 A	11/1998	Sauer et al.	5,944,715 A	8/1999	Goble et al.
5,841,284 A	11/1998	Takahashi	5,946,978 A	9/1999	Yamashita
5,843,021 A	12/1998	Edwards et al.	5,947,984 A	9/1999	Whipple
5,843,096 A	12/1998	Igaki et al.	5,947,996 A	9/1999	Logeman
5,843,097 A	12/1998	Mayenberger et al.	5,948,030 A	9/1999	Miller et al.
5,843,122 A	12/1998	Riza	5,948,429 A	9/1999	Bell et al.
5,843,132 A	12/1998	Ilvento	5,951,301 A	9/1999	Younker
5,843,169 A	12/1998	Taheri	5,951,516 A	9/1999	Bunyan
5,846,254 A	12/1998	Schulze et al.	5,951,552 A	9/1999	Long et al.
5,847,566 A	12/1998	Marritt et al.	5,951,574 A	9/1999	Stefanchik et al.
5,849,011 A	12/1998	Jones et al.	5,951,575 A	9/1999	Bolduc et al.
5,849,020 A	12/1998	Long et al.	5,951,581 A	9/1999	Saadat et al.
5,849,023 A	12/1998	Mericle	5,954,259 A	9/1999	Viola et al.
5,851,179 A	12/1998	Ritson et al.	5,957,831 A	9/1999	Adair
5,851,212 A	12/1998	Zirps et al.	5,964,394 A	10/1999	Robertson
			5,964,774 A	10/1999	McKean et al.
			5,966,126 A	10/1999	Szabo
			5,971,916 A	10/1999	Koren
			5,973,221 A	10/1999	Collyer et al.

(56)

References Cited

U.S. PATENT DOCUMENTS

D416,089 S	11/1999	Barton et al.	6,063,097 A	5/2000	Oi et al.
5,976,122 A	11/1999	Madhani et al.	6,063,098 A	5/2000	Houser et al.
5,977,746 A	11/1999	Hershberger et al.	6,065,679 A	5/2000	Levie et al.
5,980,248 A	11/1999	Kusakabe et al.	6,065,919 A	5/2000	Peck
5,984,949 A	11/1999	Levin	6,066,132 A	5/2000	Chen et al.
5,988,479 A	11/1999	Palmer	6,066,151 A	5/2000	Miyawaki et al.
5,990,379 A	11/1999	Gregory	6,068,627 A	5/2000	Orszulak et al.
5,993,466 A	11/1999	Yoon	6,071,233 A	6/2000	Ishikawa et al.
5,997,528 A	12/1999	Bisch et al.	6,072,299 A	6/2000	Kurle et al.
5,997,552 A	12/1999	Person et al.	6,074,386 A	6/2000	Goble et al.
6,001,108 A	12/1999	Wang et al.	6,074,401 A	6/2000	Gardiner et al.
6,003,517 A	12/1999	Sheffield et al.	6,075,441 A	6/2000	Maloney
6,004,319 A	12/1999	Goble et al.	6,077,280 A	6/2000	Fossum
6,004,335 A	12/1999	Vaitekunas et al.	6,077,286 A	6/2000	Cuschieri et al.
6,007,521 A	12/1999	Bidwell et al.	6,077,290 A	6/2000	Marini
6,010,054 A	1/2000	Johnson et al.	6,079,606 A	6/2000	Milliman et al.
6,010,513 A	1/2000	Tormala et al.	6,080,181 A	6/2000	Jensen et al.
6,010,520 A	1/2000	Pattison	6,082,577 A	7/2000	Coates et al.
6,012,494 A	1/2000	Balazs	6,083,191 A	7/2000	Rose
6,013,076 A	1/2000	Goble et al.	6,083,223 A	7/2000	Baker
6,013,991 A	1/2000	Philipp	6,083,234 A	7/2000	Nicholas et al.
6,015,406 A	1/2000	Goble et al.	6,083,242 A	7/2000	Cook
6,015,417 A	1/2000	Reynolds, Jr.	6,086,544 A	7/2000	Hibner et al.
6,017,322 A	1/2000	Snoke et al.	6,086,600 A	7/2000	Kortenbach
6,017,354 A	1/2000	Culp et al.	6,090,106 A	7/2000	Goble et al.
6,017,356 A	1/2000	Frederick et al.	6,090,123 A	7/2000	Culp et al.
6,018,227 A	1/2000	Kumar et al.	6,093,186 A	7/2000	Goble
6,019,745 A	2/2000	Gray	6,094,021 A	7/2000	Noro et al.
6,019,780 A	2/2000	Lombardo et al.	D429,252 S	8/2000	Haitani et al.
6,022,352 A	2/2000	Vandewalle	6,099,537 A	8/2000	Sugai et al.
6,023,641 A	2/2000	Thompson	6,099,551 A	8/2000	Gabbay
6,024,708 A	2/2000	Bales et al.	6,102,271 A	8/2000	Longo et al.
6,024,741 A	2/2000	Williamson, IV et al.	6,102,926 A	8/2000	Tartaglia et al.
6,024,748 A	2/2000	Manzo et al.	6,104,162 A	8/2000	Sainsbury et al.
6,024,750 A	2/2000	Mastri et al.	6,104,304 A	8/2000	Clark et al.
6,024,764 A	2/2000	Schroepfel	6,106,511 A	8/2000	Jensen
6,027,501 A	2/2000	Goble et al.	6,109,500 A	8/2000	Alli et al.
6,030,384 A	2/2000	Nezhat	6,110,187 A	8/2000	Donlon
6,032,849 A	3/2000	Mastri et al.	6,113,618 A	9/2000	Nic
6,033,105 A	3/2000	Barker et al.	6,117,148 A	9/2000	Ravo et al.
6,033,378 A	3/2000	Lundquist et al.	6,117,158 A	9/2000	Measamer et al.
6,033,399 A	3/2000	Gines	6,119,913 A	9/2000	Adams et al.
6,033,427 A	3/2000	Lee	6,120,433 A	9/2000	Mizuno et al.
6,036,641 A	3/2000	Taylor et al.	6,120,462 A	9/2000	Hibner et al.
6,036,667 A	3/2000	Manna et al.	6,123,241 A	9/2000	Walter et al.
6,037,724 A	3/2000	Buss et al.	6,123,701 A	9/2000	Nezhat
6,037,927 A	3/2000	Rosenberg	H1904 H	10/2000	Yates et al.
6,039,126 A	3/2000	Hsieh	RE36,923 E	10/2000	Hiroi et al.
6,039,733 A	3/2000	Buyse et al.	6,126,058 A	10/2000	Adams et al.
6,039,734 A	3/2000	Goble	6,126,359 A	10/2000	Dittrich et al.
6,042,601 A	3/2000	Smith	6,126,670 A	10/2000	Walker et al.
6,042,607 A	3/2000	Williamson, IV et al.	6,131,789 A	10/2000	Schulze et al.
6,043,626 A	3/2000	Snyder et al.	6,131,790 A	10/2000	Piraka
6,045,560 A	4/2000	McKean et al.	6,132,368 A	10/2000	Cooper
6,047,861 A	4/2000	Vidal et al.	6,134,962 A	10/2000	Sugitani
6,049,145 A	4/2000	Austin et al.	6,139,546 A	10/2000	Koenig et al.
6,050,172 A	4/2000	Corves et al.	6,142,149 A	11/2000	Steen
6,050,472 A	4/2000	Shibata	6,142,933 A	11/2000	Longo et al.
6,050,989 A	4/2000	Fox et al.	6,147,135 A	11/2000	Yuan et al.
6,050,990 A	4/2000	Tankovich et al.	6,149,660 A	11/2000	Laufer et al.
6,050,996 A	4/2000	Schmaltz et al.	6,151,323 A	11/2000	O'Connell et al.
6,053,390 A	4/2000	Green et al.	6,152,935 A	11/2000	Kammerer et al.
6,053,899 A	4/2000	Slanda et al.	6,155,473 A	12/2000	Tompkins et al.
6,053,922 A	4/2000	Krause et al.	6,156,056 A	12/2000	Kearns et al.
6,054,142 A	4/2000	Li et al.	6,157,169 A	12/2000	Lee
6,055,062 A	4/2000	Dina et al.	6,159,146 A	12/2000	El Gazayerli
RE36,720 E	5/2000	Green et al.	6,159,200 A	12/2000	Verdura et al.
6,056,735 A	5/2000	Okada et al.	6,159,224 A	12/2000	Yoon
6,056,746 A	5/2000	Goble et al.	6,162,208 A	12/2000	Hipps
6,059,806 A	5/2000	Hoegerle	6,162,220 A	12/2000	Nezhat
6,062,360 A	5/2000	Shields	6,162,537 A	12/2000	Martin et al.
6,063,020 A	5/2000	Jones et al.	6,165,175 A	12/2000	Wampler et al.
6,063,025 A	5/2000	Bridges et al.	6,165,184 A	12/2000	Verdura et al.
6,063,050 A	5/2000	Manna et al.	6,165,188 A	12/2000	Saadat et al.
6,063,095 A	5/2000	Wang et al.	6,167,185 A	12/2000	Smiley et al.
			6,168,605 B1	1/2001	Measamer et al.
			6,171,305 B1	1/2001	Sherman
			6,171,316 B1	1/2001	Kovac et al.
			6,171,330 B1	1/2001	Benchetrit

(56)

References Cited

U.S. PATENT DOCUMENTS

6,173,074 B1	1/2001	Russo	6,293,927 B1	9/2001	McGuckin, Jr.
6,174,308 B1	1/2001	Goble et al.	6,293,942 B1	9/2001	Goble et al.
6,174,309 B1	1/2001	Wrublewski et al.	6,296,640 B1	10/2001	Wampler et al.
6,174,318 B1	1/2001	Bates et al.	6,302,311 B1	10/2001	Adams et al.
6,175,290 B1	1/2001	Forsythe et al.	6,302,743 B1	10/2001	Chiu et al.
6,179,195 B1	1/2001	Adams et al.	6,305,891 B1	10/2001	Burlingame
6,179,776 B1	1/2001	Adams et al.	6,306,134 B1	10/2001	Goble et al.
6,181,105 B1	1/2001	Cutolo et al.	6,306,149 B1	10/2001	Meade
6,182,673 B1	2/2001	Kindermann et al.	6,306,424 B1	10/2001	Vyakarnam et al.
6,185,356 B1	2/2001	Parker et al.	6,309,397 B1	10/2001	Julian et al.
6,186,142 B1	2/2001	Schmidt et al.	6,309,400 B2	10/2001	Beaupre
6,186,957 B1	2/2001	Milam	6,309,403 B1	10/2001	Minor et al.
6,187,003 B1	2/2001	Buysse et al.	6,312,435 B1	11/2001	Wallace et al.
6,190,386 B1	2/2001	Rydell	6,315,184 B1	11/2001	Whitman
6,193,129 B1	2/2001	Bittner et al.	6,317,616 B1	11/2001	Glossop
6,197,042 B1	3/2001	Ginn et al.	6,319,510 B1	11/2001	Yates
6,200,311 B1	3/2001	Danek et al.	6,320,123 B1	11/2001	Reimers
6,200,330 B1	3/2001	Benderev et al.	6,322,494 B1	11/2001	Bullivant et al.
6,202,914 B1	3/2001	Geiste et al.	6,324,339 B1	11/2001	Hudson et al.
6,206,894 B1	3/2001	Thompson et al.	6,325,799 B1	12/2001	Goble
6,206,897 B1	3/2001	Jamiolkowski et al.	6,325,805 B1	12/2001	Ogilvie et al.
6,206,903 B1	3/2001	Ramans	6,325,810 B1	12/2001	Hamilton et al.
6,206,904 B1	3/2001	Ouchi	6,328,498 B1	12/2001	Mersch
6,209,414 B1	4/2001	Uneme	6,330,965 B1	12/2001	Milliman et al.
6,210,403 B1	4/2001	Klicek	6,331,181 B1	12/2001	Tierney et al.
6,211,626 B1	4/2001	Lys et al.	6,331,761 B1	12/2001	Kumar et al.
6,213,999 B1	4/2001	Platt, Jr. et al.	6,333,029 B1	12/2001	Vyakarnam et al.
6,214,028 B1	4/2001	Yoon et al.	6,334,860 B1	1/2002	Dorn
6,220,368 B1	4/2001	Ark et al.	6,334,861 B1	1/2002	Chandler et al.
6,221,007 B1	4/2001	Green	6,336,926 B1	1/2002	Goble
6,221,023 B1	4/2001	Matsuba et al.	6,338,737 B1	1/2002	Toledano
6,223,100 B1	4/2001	Green	6,343,731 B1	2/2002	Adams et al.
6,223,835 B1	5/2001	Habedank et al.	6,346,077 B1	2/2002	Taylor et al.
6,224,617 B1	5/2001	Saadat et al.	6,348,061 B1	2/2002	Whitman
6,228,080 B1	5/2001	Gines	6,349,868 B1	2/2002	Mattingly et al.
6,228,081 B1	5/2001	Goble	D454,951 S	3/2002	Bon
6,228,083 B1	5/2001	Lands et al.	6,352,503 B1	3/2002	Matsui et al.
6,228,084 B1	5/2001	Kirwan, Jr.	6,352,532 B1	3/2002	Kramer et al.
6,228,089 B1	5/2001	Wahrburg	6,355,699 B1	3/2002	Vyakarnam et al.
6,228,098 B1	5/2001	Kayan et al.	6,356,072 B1	3/2002	Chass
6,231,565 B1	5/2001	Tovey et al.	6,358,224 B1	3/2002	Tims et al.
6,234,178 B1	5/2001	Goble et al.	6,358,263 B2	3/2002	Mark et al.
6,235,036 B1	5/2001	Gardner et al.	6,358,459 B1	3/2002	Ziegler et al.
6,237,604 B1	5/2001	Burnside et al.	6,361,542 B1	3/2002	Dimitriu et al.
6,238,384 B1	5/2001	Peer	6,364,828 B1	4/2002	Yeung et al.
6,241,139 B1	6/2001	Milliman et al.	6,364,877 B1	4/2002	Goble et al.
6,241,140 B1	6/2001	Adams et al.	6,364,888 B1	4/2002	Niemeyer et al.
6,241,723 B1	6/2001	Heim et al.	6,366,441 B1	4/2002	Ozawa et al.
6,245,084 B1	6/2001	Mark et al.	6,370,981 B2	4/2002	Watarai
6,248,116 B1	6/2001	Chevillon et al.	6,371,114 B1	4/2002	Schmidt et al.
6,248,117 B1	6/2001	Blatter	6,373,152 B1	4/2002	Wang et al.
6,249,076 B1	6/2001	Madden et al.	6,377,011 B1	4/2002	Ben-Ur
6,249,105 B1	6/2001	Andrews et al.	6,383,201 B1	5/2002	Dong
6,250,532 B1	6/2001	Green et al.	6,387,092 B1	5/2002	Burnside et al.
6,251,485 B1	6/2001	Harris et al.	6,387,113 B1	5/2002	Hawkins et al.
D445,745 S	7/2001	Norman	6,387,114 B2	5/2002	Adams
6,254,534 B1	7/2001	Butler et al.	6,391,038 B2	5/2002	Vargas et al.
6,254,619 B1	7/2001	Garabet et al.	6,392,854 B1	5/2002	O'Gorman
6,254,642 B1	7/2001	Taylor	6,394,998 B1	5/2002	Wallace et al.
6,258,107 B1	7/2001	Balazs et al.	6,398,779 B1	6/2002	Buysse et al.
6,261,246 B1	7/2001	Pantages et al.	6,398,781 B1	6/2002	Goble et al.
6,261,286 B1	7/2001	Goble et al.	6,398,797 B2	6/2002	Bombard et al.
6,261,679 B1	7/2001	Chen et al.	6,402,766 B2	6/2002	Bowman et al.
6,264,086 B1	7/2001	McGuckin, Jr.	6,402,780 B2	6/2002	Williamson, IV et al.
6,264,087 B1	7/2001	Whitman	6,406,440 B1	6/2002	Stefanchik
6,264,617 B1	7/2001	Bales et al.	6,406,472 B1	6/2002	Jensen
6,269,997 B1	8/2001	Balazs et al.	6,409,724 B1	6/2002	Penny et al.
6,270,508 B1	8/2001	Klieman et al.	H2037 H	7/2002	Yates et al.
6,270,916 B1	8/2001	Sink et al.	6,412,639 B1	7/2002	Hickey
6,273,252 B1	8/2001	Mitchell	6,413,274 B1	7/2002	Pedros
6,273,876 B1	8/2001	Klima et al.	6,415,542 B1	7/2002	Bates et al.
6,273,897 B1	8/2001	Dalessandro et al.	6,416,486 B1	7/2002	Wampler
6,277,114 B1	8/2001	Bullivant et al.	6,416,509 B1	7/2002	Goble et al.
6,280,407 B1	8/2001	Manna et al.	6,419,695 B1	7/2002	Gabbay
6,283,981 B1	9/2001	Beaupre	6,423,079 B1	7/2002	Blake, III
			6,424,885 B1	7/2002	Niemeyer et al.
			RE37,814 E	8/2002	Allgeyer
			6,428,070 B1	8/2002	Takanashi et al.
			6,428,487 B1	8/2002	Burdorff et al.

(56)

References Cited

U.S. PATENT DOCUMENTS

6,429,611 B1	8/2002	Li	6,524,180 B1	2/2003	Simms et al.
6,430,298 B1	8/2002	Kettl et al.	6,525,499 B2	2/2003	Naganuma
6,432,065 B1	8/2002	Burdorff et al.	D471,206 S	3/2003	Buzzard et al.
6,436,097 B1	8/2002	Nardella	6,527,782 B2	3/2003	Hogg et al.
6,436,107 B1	8/2002	Wang et al.	6,527,785 B2	3/2003	Sancoff et al.
6,436,110 B2	8/2002	Bowman et al.	6,530,942 B2	3/2003	Fogarty et al.
6,436,115 B1	8/2002	Beaupre	6,532,958 B1	3/2003	Buan et al.
6,436,122 B1	8/2002	Frank et al.	6,533,157 B1	3/2003	Whitman
6,439,439 B1	8/2002	Rickard et al.	6,533,723 B1	3/2003	Lockery et al.
6,439,446 B1	8/2002	Perry et al.	6,533,784 B2	3/2003	Truckai et al.
6,440,146 B2	8/2002	Nicholas et al.	6,535,764 B2	3/2003	Imran et al.
6,441,577 B2	8/2002	Blumenkranz et al.	6,539,297 B2	3/2003	Weiberle et al.
D462,758 S	9/2002	Epstein et al.	D473,239 S	4/2003	Cockerill
6,443,973 B1	9/2002	Whitman	6,539,816 B2	4/2003	Kogiso et al.
6,445,530 B1	9/2002	Baker	6,540,737 B2	4/2003	Bacher et al.
6,447,518 B1	9/2002	Krause et al.	6,543,456 B1	4/2003	Freeman
6,447,523 B1	9/2002	Middleman et al.	6,545,384 B1	4/2003	Pelrine et al.
6,447,799 B1	9/2002	Ullman	6,547,786 B1	4/2003	Goble
6,447,864 B2	9/2002	Johnson et al.	6,550,546 B2	4/2003	Thurler et al.
6,450,391 B1	9/2002	Kayan et al.	6,551,333 B2	4/2003	Kuhns et al.
6,450,989 B2	9/2002	Dubrul et al.	6,554,844 B2	4/2003	Lee et al.
6,454,781 B1	9/2002	Witt et al.	6,554,861 B2	4/2003	Knox et al.
6,457,338 B1	10/2002	Frenken	6,555,770 B2	4/2003	Kawase
6,457,625 B1	10/2002	Tormala et al.	6,558,378 B2	5/2003	Sherman et al.
6,458,077 B1	10/2002	Boebel et al.	6,558,379 B1	5/2003	Batchelor et al.
6,458,142 B1	10/2002	Faller et al.	6,558,429 B2	5/2003	Taylor
6,458,147 B1	10/2002	Cruise et al.	6,561,187 B2	5/2003	Schmidt et al.
6,460,627 B1	10/2002	Below et al.	6,565,560 B1	5/2003	Goble et al.
6,468,275 B1	10/2002	Wampler et al.	6,566,619 B2	5/2003	Gillman et al.
6,468,286 B2	10/2002	Mastri et al.	6,569,085 B2	5/2003	Kortenbach et al.
6,471,106 B1	10/2002	Reining	6,569,171 B2	5/2003	DeGuillebon et al.
6,471,659 B2	10/2002	Eggers et al.	6,569,173 B1	5/2003	Blatter et al.
6,478,210 B2	11/2002	Adams et al.	6,572,629 B2	6/2003	Kaloo et al.
6,482,063 B1	11/2002	Frigard	6,578,751 B2	6/2003	Hartwick
6,482,200 B2	11/2002	Shippert	6,582,364 B2	6/2003	Butler et al.
6,482,217 B1	11/2002	Pintor et al.	6,582,427 B1	6/2003	Goble et al.
6,485,490 B2	11/2002	Wampler et al.	6,582,441 B1	6/2003	He et al.
6,485,503 B2	11/2002	Jacobs et al.	6,583,533 B2	6/2003	Pelrine et al.
6,485,667 B1	11/2002	Tan	6,585,144 B2	7/2003	Adams et al.
6,486,286 B1	11/2002	McGall et al.	6,585,664 B2	7/2003	Burdorff et al.
6,488,196 B1	12/2002	Fenton, Jr.	6,586,898 B2	7/2003	King et al.
6,488,197 B1	12/2002	Whitman	6,587,750 B2	7/2003	Gerbi et al.
6,488,659 B1	12/2002	Rosenman	6,588,277 B2	7/2003	Giordano et al.
6,491,201 B1	12/2002	Whitman	6,588,643 B2	7/2003	Bolduc et al.
6,491,690 B1	12/2002	Goble et al.	6,588,931 B2	7/2003	Betzner et al.
6,491,701 B2	12/2002	Tierney et al.	6,589,118 B1	7/2003	Soma et al.
6,491,702 B2	12/2002	Heilbrun et al.	6,589,164 B1	7/2003	Flaherty
6,492,785 B1	12/2002	Kasten et al.	6,592,538 B1	7/2003	Hotchkiss et al.
6,494,882 B1	12/2002	Lebouitz et al.	6,592,572 B1	7/2003	Suzuta
6,494,885 B1	12/2002	Dhindsa	6,592,597 B2	7/2003	Grant et al.
6,494,888 B1	12/2002	Laufer et al.	6,594,552 B1	7/2003	Nowlin et al.
6,494,896 B1	12/2002	D'Alessio et al.	6,595,914 B2	7/2003	Kato
6,498,480 B1	12/2002	Manara	6,596,296 B1	7/2003	Nelson et al.
6,500,176 B1	12/2002	Truckai et al.	6,596,304 B1	7/2003	Bayon et al.
6,500,189 B1	12/2002	Lang et al.	6,596,432 B2	7/2003	Kawakami et al.
6,500,194 B2	12/2002	Benderev et al.	6,599,295 B1	7/2003	Tornier et al.
D468,749 S	1/2003	Friedman	6,599,323 B2	7/2003	Melican et al.
6,503,139 B2	1/2003	Coral	D478,665 S	8/2003	Isaacs et al.
6,503,257 B2	1/2003	Grant et al.	D478,986 S	8/2003	Johnston et al.
6,503,259 B2	1/2003	Huxel et al.	6,601,749 B2	8/2003	Sullivan et al.
6,505,768 B2	1/2003	Whitman	6,602,252 B2	8/2003	Mollenauer
6,506,197 B1	1/2003	Rollero et al.	6,602,262 B2	8/2003	Griego et al.
6,506,399 B2	1/2003	Donovan	6,603,050 B2	8/2003	Heaton
6,510,854 B2	1/2003	Goble	6,605,078 B2	8/2003	Adams
6,511,468 B1	1/2003	Cragg et al.	6,605,669 B2	8/2003	Awokola et al.
6,512,360 B1	1/2003	Goto et al.	6,605,911 B1	8/2003	Klesing
6,514,252 B2	2/2003	Nezhat et al.	6,607,475 B2	8/2003	Doyle et al.
6,516,073 B1	2/2003	Schulz et al.	6,611,793 B1	8/2003	Burnside et al.
6,517,528 B1	2/2003	Pantages et al.	6,613,069 B2	9/2003	Boyd et al.
6,517,535 B2	2/2003	Edwards	6,616,686 B2	9/2003	Coleman et al.
6,517,565 B1	2/2003	Whitman et al.	6,619,529 B2	9/2003	Green et al.
6,517,566 B1	2/2003	Hovland et al.	6,620,111 B2	9/2003	Stephens et al.
6,520,971 B1	2/2003	Perry et al.	6,620,161 B2	9/2003	Schulze et al.
6,520,972 B2	2/2003	Peters	6,620,166 B1	9/2003	Wenstrom, Jr. et al.
6,522,101 B2	2/2003	Malackowski	6,625,517 B1	9/2003	Bogdanov et al.
			6,626,834 B2	9/2003	Dunne et al.
			6,626,938 B1	9/2003	Butaric et al.
			H2086 H	10/2003	Amsler
			6,629,630 B2	10/2003	Adams

(56)

References Cited

U.S. PATENT DOCUMENTS

6,629,974 B2	10/2003	Penny et al.	6,729,119 B2	5/2004	Schnipke et al.
6,629,988 B2	10/2003	Weadock	6,731,976 B2	5/2004	Penn et al.
6,635,838 B1	10/2003	Kornelson	6,736,810 B2	5/2004	Hoey et al.
6,636,412 B2	10/2003	Smith	6,736,825 B2	5/2004	Blatter et al.
6,638,108 B2	10/2003	Tachi	6,736,854 B2	5/2004	Vadurro et al.
6,638,285 B2	10/2003	Gabbay	6,740,030 B2	5/2004	Martone et al.
6,638,297 B1	10/2003	Huitema	6,743,230 B2	6/2004	Lutze et al.
RE38,335 E	11/2003	Aust et al.	6,744,385 B2	6/2004	Kazuya et al.
6,641,528 B2	11/2003	Torii	6,747,121 B2	6/2004	Gogolewski
6,644,532 B2	11/2003	Green et al.	6,747,300 B2	6/2004	Nadd et al.
6,645,201 B1	11/2003	Utlely et al.	6,749,560 B1	6/2004	Konstorum et al.
6,646,307 B1	11/2003	Yu et al.	6,749,600 B1	6/2004	Levy
6,648,816 B2	11/2003	Irion et al.	6,752,768 B2	6/2004	Burdorff et al.
6,648,901 B2	11/2003	Fleischman et al.	6,752,816 B2	6/2004	Culp et al.
6,652,595 B1	11/2003	Nicolo	6,754,959 B1	6/2004	Guiette, III et al.
D484,243 S	12/2003	Ryan et al.	6,755,195 B1	6/2004	Lemke et al.
D484,595 S	12/2003	Ryan et al.	6,755,338 B2	6/2004	Hahnen et al.
D484,596 S	12/2003	Ryan et al.	6,755,825 B2	6/2004	Shoenman et al.
6,656,177 B2	12/2003	Truckai et al.	6,755,843 B2	6/2004	Chung et al.
6,656,193 B2	12/2003	Grant et al.	6,756,705 B2	6/2004	Pulford, Jr.
6,659,940 B2	12/2003	Adler	6,758,846 B2	7/2004	Goble et al.
6,660,008 B1	12/2003	Foerster et al.	6,761,685 B2	7/2004	Adams et al.
6,663,623 B1	12/2003	Oyama et al.	6,762,339 B1	7/2004	Klun et al.
6,663,641 B1	12/2003	Kovac et al.	6,763,307 B2	7/2004	Berg et al.
6,666,854 B1	12/2003	Lange	6,764,445 B2	7/2004	Ramans et al.
6,666,860 B1	12/2003	Takahashi	6,766,957 B2	7/2004	Matsuura et al.
6,666,875 B1	12/2003	Sakurai et al.	6,767,352 B2	7/2004	Field et al.
6,667,825 B2	12/2003	Lu et al.	6,767,356 B2	7/2004	Kanner et al.
6,669,073 B2	12/2003	Milliman et al.	6,769,590 B2	8/2004	Vresh et al.
6,670,806 B2	12/2003	Wendt et al.	6,769,594 B2	8/2004	Orban, III
6,671,185 B2	12/2003	Duval	6,770,027 B2	8/2004	Banik et al.
D484,977 S	1/2004	Ryan et al.	6,770,070 B1	8/2004	Balbierz
6,676,660 B2	1/2004	Wampler et al.	6,770,072 B1	8/2004	Truckai et al.
6,677,687 B2	1/2004	Ho et al.	6,770,078 B2	8/2004	Bonutti
6,679,269 B2	1/2004	Swanson	6,773,409 B2	8/2004	Truckai et al.
6,679,410 B2	1/2004	Wursch et al.	6,773,437 B2	8/2004	Ogilvie et al.
6,681,978 B2	1/2004	Geiste et al.	6,773,438 B1	8/2004	Knodel et al.
6,681,979 B2	1/2004	Whitman	6,775,575 B2	8/2004	Bommannan et al.
6,682,527 B2	1/2004	Strul	6,777,838 B2	8/2004	Miecka et al.
6,682,528 B2	1/2004	Frazier et al.	6,778,846 B1	8/2004	Martinez et al.
6,682,544 B2	1/2004	Mastri et al.	6,780,151 B2	8/2004	Grabover et al.
6,685,698 B2	2/2004	Morley et al.	6,780,180 B1	8/2004	Goble et al.
6,685,727 B2	2/2004	Fisher et al.	6,783,524 B2	8/2004	Anderson et al.
6,689,153 B1	2/2004	Skiba	6,784,775 B2	8/2004	Mandell et al.
6,692,507 B2	2/2004	Pugsley et al.	6,786,382 B1	9/2004	Hoffman
6,692,692 B2	2/2004	Stetzel	6,786,864 B2	9/2004	Matsuura et al.
6,695,198 B2	2/2004	Adams et al.	6,786,896 B1	9/2004	Madhani et al.
6,695,199 B2	2/2004	Whitman	6,788,018 B1	9/2004	Blumenkranz
6,695,774 B2	2/2004	Hale et al.	6,790,173 B2	9/2004	Saadat et al.
6,695,849 B2	2/2004	Michelson	6,793,652 B1	9/2004	Whitman et al.
6,696,814 B2	2/2004	Henderson et al.	6,793,661 B2	9/2004	Hamilton et al.
6,697,048 B2	2/2004	Rosenberg et al.	6,793,663 B2	9/2004	Kneifel et al.
6,698,643 B2	3/2004	Whitman	6,793,669 B2	9/2004	Nakamura et al.
6,699,177 B1	3/2004	Wang et al.	6,796,921 B1	9/2004	Buck et al.
6,699,214 B2	3/2004	Gellman	6,799,669 B2	10/2004	Fukumura et al.
6,699,235 B2	3/2004	Wallace et al.	6,801,009 B2	10/2004	Makaran et al.
6,704,210 B1	3/2004	Myers	6,802,822 B1	10/2004	Dodge
6,705,503 B1	3/2004	Pedicini et al.	6,802,843 B2	10/2004	Truckai et al.
6,709,445 B2	3/2004	Boebel et al.	6,802,844 B2	10/2004	Ferree
6,712,773 B1	3/2004	Viola	6,805,273 B2	10/2004	Bilotti et al.
6,716,215 B1	4/2004	David et al.	6,806,808 B1	10/2004	Watters et al.
6,716,223 B2	4/2004	Leopold et al.	6,806,867 B1	10/2004	Arruda et al.
6,716,232 B1	4/2004	Vidal et al.	6,808,525 B2	10/2004	Latterell et al.
6,716,233 B1	4/2004	Whitman	6,810,359 B2	10/2004	Sakaguchi
6,720,734 B2	4/2004	Norris	6,814,154 B2	11/2004	Chou
6,722,550 B1	4/2004	Ricordi et al.	6,814,741 B2	11/2004	Bowman et al.
6,722,552 B2	4/2004	Fenton, Jr.	6,817,508 B1	11/2004	Racenet et al.
6,723,087 B2	4/2004	O'Neill et al.	6,817,509 B2	11/2004	Geiste et al.
6,723,091 B2	4/2004	Goble et al.	6,817,974 B2	11/2004	Cooper et al.
6,723,106 B1	4/2004	Charles et al.	6,818,018 B1	11/2004	Sawhney
6,723,109 B2	4/2004	Solingen	6,820,791 B2	11/2004	Adams
6,726,651 B1	4/2004	Robinson et al.	6,821,273 B2	11/2004	Mollenauer
6,726,697 B2	4/2004	Nicholas et al.	6,821,282 B2	11/2004	Perry et al.
6,726,705 B2	4/2004	Peterson et al.	6,821,284 B2	11/2004	Sturtz et al.
6,726,706 B2	4/2004	Dominguez	6,827,246 B2	12/2004	Sullivan et al.
			6,827,712 B2	12/2004	Tovey et al.
			6,827,725 B2	12/2004	Batchelor et al.
			6,828,902 B2	12/2004	Casden
			6,830,174 B2	12/2004	Hillstead et al.

(56)

References Cited

U.S. PATENT DOCUMENTS

6,831,629 B2	12/2004	Nishino et al.	6,926,716 B2	8/2005	Baker et al.
6,832,998 B2	12/2004	Goble	6,927,315 B1	8/2005	Heinecke et al.
6,834,001 B2	12/2004	Myono	6,928,902 B1	8/2005	Eyssallenne
6,835,173 B2	12/2004	Couvillon, Jr.	6,929,641 B2	8/2005	Goble et al.
6,835,199 B2	12/2004	McGuckin, Jr. et al.	6,929,644 B2	8/2005	Truckai et al.
6,835,336 B2	12/2004	Watt	6,931,830 B2	8/2005	Liao
6,836,611 B2	12/2004	Popovic et al.	6,932,218 B2	8/2005	Kosann et al.
6,837,846 B2	1/2005	Jaffe et al.	6,932,810 B2	8/2005	Ryan
6,837,883 B2	1/2005	Moll et al.	6,936,042 B2	8/2005	Wallace et al.
6,838,493 B2	1/2005	Williams et al.	6,936,948 B2	8/2005	Bell et al.
6,840,423 B2	1/2005	Adams et al.	D509,297 S	9/2005	Wells
6,840,938 B1	1/2005	Morley et al.	D509,589 S	9/2005	Wells
6,841,967 B2	1/2005	Kim et al.	6,938,706 B2	9/2005	Ng
6,843,403 B2	1/2005	Whitman	6,939,358 B2	9/2005	Palacios et al.
6,843,789 B2	1/2005	Goble	6,942,662 B2	9/2005	Goble et al.
6,843,793 B2	1/2005	Brock et al.	6,942,674 B2	9/2005	Belef et al.
6,846,307 B2	1/2005	Whitman et al.	6,945,444 B2	9/2005	Gresham et al.
6,846,308 B2	1/2005	Whitman et al.	6,945,981 B2	9/2005	Donofrio et al.
6,846,309 B2	1/2005	Whitman et al.	6,949,196 B2	9/2005	Schmitz et al.
6,847,190 B2	1/2005	Schaefer et al.	6,951,562 B2	10/2005	Zwirnmann
6,849,071 B2	2/2005	Whitman et al.	6,953,138 B1	10/2005	Dworak et al.
6,850,817 B1	2/2005	Green	6,953,139 B2	10/2005	Milliman et al.
6,852,122 B2	2/2005	Rush	6,953,461 B2	10/2005	McClurken et al.
6,852,330 B2	2/2005	Bowman et al.	6,957,758 B2	10/2005	Aranyi
6,853,879 B2	2/2005	Sunaoshi	6,958,035 B2	10/2005	Friedman et al.
6,858,005 B2	2/2005	Ohline et al.	D511,525 S	11/2005	Hernandez et al.
6,859,882 B2	2/2005	Fung	6,959,851 B2	11/2005	Heinrich
RE38,708 E	3/2005	Bolanos et al.	6,959,852 B2	11/2005	Shelton, IV et al.
D502,994 S	3/2005	Blake, III	6,960,107 B1	11/2005	Schaub et al.
6,861,142 B1	3/2005	Wilkie et al.	6,960,163 B2	11/2005	Ewers et al.
6,861,954 B2	3/2005	Levin	6,960,220 B2	11/2005	Marino et al.
6,863,668 B2	3/2005	Gillespie et al.	6,962,587 B2	11/2005	Johnson et al.
6,863,694 B1	3/2005	Boyce et al.	6,963,792 B1	11/2005	Green
6,863,924 B2	3/2005	Ranganathan et al.	6,964,363 B2	11/2005	Wales et al.
6,866,178 B2	3/2005	Adams et al.	6,966,907 B2	11/2005	Goble
6,866,668 B2	3/2005	Giannetti et al.	6,966,909 B2	11/2005	Marshall et al.
6,866,671 B2	3/2005	Tierney et al.	6,968,908 B2	11/2005	Tokunaga et al.
6,867,248 B1	3/2005	Martin et al.	6,969,385 B2	11/2005	Moreyra
6,869,430 B2	3/2005	Balbierz et al.	6,969,395 B2	11/2005	Eskuri
6,869,435 B2	3/2005	Blake, III	6,971,988 B2	12/2005	Orban, III
6,872,214 B2	3/2005	Sonnenschein et al.	6,972,199 B2	12/2005	Lebouitz et al.
6,874,669 B2	4/2005	Adams et al.	6,974,435 B2	12/2005	Daw et al.
6,876,850 B2	4/2005	Maeshima et al.	6,974,462 B2	12/2005	Sater
6,877,647 B2	4/2005	Green et al.	6,978,921 B2	12/2005	Shelton, IV et al.
6,878,106 B1	4/2005	Herrmann	6,978,922 B2	12/2005	Bilotti et al.
6,882,127 B2	4/2005	Konigbauer	6,981,628 B2	1/2006	Wales
6,883,199 B1	4/2005	Lundell et al.	6,981,941 B2	1/2006	Whitman et al.
6,884,392 B2	4/2005	Malkin et al.	6,981,978 B2	1/2006	Gannoe
6,884,428 B2	4/2005	Binette et al.	6,984,203 B2	1/2006	Tartaglia et al.
6,886,730 B2	5/2005	Fujisawa et al.	6,984,231 B2	1/2006	Goble et al.
6,887,244 B1	5/2005	Walker et al.	6,986,451 B1	1/2006	Mastri et al.
6,887,710 B2	5/2005	Call et al.	6,988,649 B2	1/2006	Shelton, IV et al.
6,889,116 B2	5/2005	Jinno	6,988,650 B2	1/2006	Schwemberger et al.
6,893,435 B2	5/2005	Goble	6,989,034 B2	1/2006	Hammer et al.
6,894,140 B2	5/2005	Roby	6,990,731 B2	1/2006	Haytayan
6,895,176 B2	5/2005	Archer et al.	6,990,796 B2	1/2006	Schnipke et al.
6,899,538 B2	5/2005	Matoba	6,991,146 B2	1/2006	Sinisi et al.
6,899,593 B1	5/2005	Moeller et al.	6,993,200 B2	1/2006	Tastl et al.
6,899,705 B2	5/2005	Niemeyer	6,993,413 B2	1/2006	Sunaoshi
6,899,915 B2	5/2005	Yelick et al.	6,994,708 B2	2/2006	Manzo
6,905,057 B2	6/2005	Swayze et al.	6,995,729 B2	2/2006	Govari et al.
6,905,497 B2	6/2005	Truckai et al.	6,996,433 B2	2/2006	Burbank et al.
6,905,498 B2	6/2005	Hooven	6,997,931 B2	2/2006	Sauer et al.
6,908,472 B2	6/2005	Wiener et al.	6,997,935 B2	2/2006	Anderson et al.
6,911,033 B2	6/2005	de Guillebon et al.	6,998,736 B2	2/2006	Lee et al.
6,911,916 B1	6/2005	Wang et al.	6,998,816 B2	2/2006	Wieck et al.
6,913,579 B2	7/2005	Truckai et al.	6,999,821 B2	2/2006	Jenney et al.
6,913,608 B2	7/2005	Liddicoat et al.	7,000,818 B2	2/2006	Shelton, IV et al.
6,913,613 B2	7/2005	Schwarz et al.	7,000,819 B2	2/2006	Swayze et al.
6,921,397 B2	7/2005	Corcoran et al.	7,000,911 B2	2/2006	McCormick et al.
6,921,412 B1	7/2005	Black et al.	7,001,380 B2	2/2006	Goble
6,923,093 B2	8/2005	Ullah	7,001,408 B2	2/2006	Knodel et al.
6,923,803 B2	8/2005	Goble	7,004,174 B2	2/2006	Eggers et al.
6,923,819 B2	8/2005	Meade et al.	7,005,828 B2	2/2006	Karikomi
6,925,849 B2	8/2005	Jairam	7,007,176 B2	2/2006	Goodfellow et al.
			7,008,433 B2	3/2006	Voellmicke et al.
			7,008,435 B2	3/2006	Cummins
			7,009,039 B2	3/2006	Yayon et al.
			7,011,213 B2	3/2006	Clark et al.

(56)

References Cited

U.S. PATENT DOCUMENTS

7,011,657 B2	3/2006	Truckai et al.	7,087,071 B2	8/2006	Nicholas et al.
7,014,640 B2	3/2006	Kemppainen et al.	7,090,637 B2	8/2006	Danitz et al.
7,018,357 B2	3/2006	Emmons	7,090,673 B2	8/2006	Dycus et al.
7,018,390 B2	3/2006	Turovskiy et al.	7,090,683 B2	8/2006	Brock et al.
7,021,399 B2	4/2006	Driessen	7,090,684 B2	8/2006	McGuckin, Jr. et al.
7,021,669 B1	4/2006	Lindermeir et al.	7,091,191 B2	8/2006	Laredo et al.
7,022,131 B1	4/2006	Derowe et al.	7,091,412 B2	8/2006	Wang et al.
7,023,159 B2	4/2006	Gorti et al.	7,093,492 B2	8/2006	Treiber et al.
7,025,064 B2	4/2006	Wang et al.	7,094,202 B2	8/2006	Nobis et al.
7,025,732 B2	4/2006	Thompson et al.	7,094,247 B2	8/2006	Monassevitch et al.
7,025,743 B2	4/2006	Mann et al.	7,094,916 B2	8/2006	DeLuca et al.
7,025,774 B2	4/2006	Freeman et al.	7,096,972 B2	8/2006	Orozco, Jr.
7,025,775 B2	4/2006	Gadberry et al.	7,097,089 B2	8/2006	Marczyk
7,028,570 B2	4/2006	Ohta et al.	7,097,644 B2	8/2006	Long
7,029,435 B2	4/2006	Nakao	7,097,650 B2	8/2006	Weller et al.
7,029,439 B2	4/2006	Roberts et al.	7,098,794 B2	8/2006	Lindsay et al.
7,030,904 B2	4/2006	Adair et al.	7,100,949 B2	9/2006	Williams et al.
7,032,798 B2	4/2006	Whitman et al.	7,101,187 B1	9/2006	Deconinck et al.
7,032,799 B2	4/2006	Viola et al.	7,101,371 B2	9/2006	Dycus et al.
7,033,356 B2	4/2006	Latterell et al.	7,101,394 B2	9/2006	Hamm et al.
7,033,378 B2	4/2006	Smith et al.	7,104,741 B2	9/2006	Krohn
7,035,716 B2	4/2006	Harris et al.	7,108,695 B2	9/2006	Witt et al.
7,035,762 B2	4/2006	Menard et al.	7,108,701 B2	9/2006	Evens et al.
7,036,680 B1	5/2006	Flannery	7,108,709 B2	9/2006	Cummins
7,037,314 B2	5/2006	Armstrong	7,111,768 B2	9/2006	Cummins et al.
7,037,344 B2	5/2006	Kagan et al.	7,111,769 B2	9/2006	Wales et al.
7,038,421 B2	5/2006	Trifilo	7,112,214 B2	9/2006	Peterson et al.
7,041,088 B2	5/2006	Nawrocki et al.	RE39,358 E	10/2006	Goble
7,041,102 B2	5/2006	Truckai et al.	D530,339 S	10/2006	Hernandez et al.
7,041,868 B2	5/2006	Greene et al.	7,114,642 B2	10/2006	Whitman
7,043,852 B2	5/2006	Hayashida et al.	7,116,100 B1	10/2006	Mock et al.
7,044,350 B2	5/2006	Kameyama et al.	7,118,020 B2	10/2006	Lee et al.
7,044,352 B2	5/2006	Shelton, IV et al.	7,118,528 B1	10/2006	Piskun
7,044,353 B2	5/2006	Mastri et al.	7,118,563 B2	10/2006	Weckwerth et al.
7,046,082 B2	5/2006	Komiya et al.	7,118,582 B1	10/2006	Wang et al.
7,048,165 B2	5/2006	Haramiishi	7,119,534 B2	10/2006	Butzmann
7,048,687 B1	5/2006	Reuss et al.	7,121,446 B2	10/2006	Arad et al.
7,048,716 B1	5/2006	Kucharczyk et al.	7,121,773 B2	10/2006	Mikiya et al.
7,048,745 B2	5/2006	Tierney et al.	7,122,028 B2	10/2006	Looper et al.
7,052,454 B2	5/2006	Taylor	7,125,403 B2	10/2006	Julian et al.
7,052,494 B2	5/2006	Goble et al.	7,125,409 B2	10/2006	Truckai et al.
7,052,499 B2	5/2006	Steger et al.	7,126,303 B2	10/2006	Farritor et al.
7,055,730 B2	6/2006	Ehrenfels et al.	7,126,879 B2	10/2006	Snyder
7,055,731 B2	6/2006	Shelton, IV et al.	7,128,253 B2	10/2006	Mastri et al.
7,056,123 B2	6/2006	Gregorio et al.	7,128,254 B2	10/2006	Shelton, IV et al.
7,056,284 B2	6/2006	Martone et al.	7,128,748 B2	10/2006	Mooradian et al.
7,056,330 B2	6/2006	Gayton	7,131,445 B2	11/2006	Amoah
7,059,331 B2	6/2006	Adams et al.	7,133,601 B2	11/2006	Phillips et al.
7,059,508 B2	6/2006	Shelton, IV et al.	7,134,364 B2	11/2006	Kageler et al.
7,063,671 B2	6/2006	Couvillon, Jr.	7,134,587 B2	11/2006	Schwemberger et al.
7,063,712 B2	6/2006	Vargas et al.	7,135,027 B2	11/2006	Delmotte
7,064,509 B1	6/2006	Fu et al.	7,137,980 B2	11/2006	Buysse et al.
7,066,879 B2	6/2006	Fowler et al.	7,137,981 B2	11/2006	Long
7,066,944 B2	6/2006	Laufer et al.	7,139,016 B2	11/2006	Squilla et al.
7,067,038 B2	6/2006	Trokhan et al.	7,140,527 B2	11/2006	Ehrenfels et al.
7,070,083 B2	7/2006	Jankowski	7,140,528 B2	11/2006	Shelton, IV
7,070,559 B2	7/2006	Adams et al.	7,141,055 B2	11/2006	Abrams et al.
7,070,597 B2	7/2006	Truckai et al.	7,143,923 B2	12/2006	Shelton, IV et al.
7,071,287 B2	7/2006	Rhine et al.	7,143,924 B2	12/2006	Scirica et al.
7,075,412 B1	7/2006	Reynolds et al.	7,143,925 B2	12/2006	Shelton, IV et al.
7,075,770 B1	7/2006	Smith	7,143,926 B2	12/2006	Shelton, IV et al.
7,077,856 B2	7/2006	Whitman	7,146,191 B2	12/2006	Kerner et al.
7,080,769 B2	7/2006	Vresh et al.	7,147,138 B2	12/2006	Shelton, IV
7,081,114 B2	7/2006	Rashidi	7,147,139 B2	12/2006	Schwemberger et al.
7,081,318 B2	7/2006	Lee et al.	7,147,140 B2	12/2006	Wukusick et al.
7,083,073 B2	8/2006	Yoshie et al.	7,147,637 B2	12/2006	Goble
7,083,075 B2	8/2006	Swayze et al.	7,147,648 B2	12/2006	Lin
7,083,571 B2	8/2006	Wang et al.	7,147,650 B2	12/2006	Lee
7,083,615 B2	8/2006	Peterson et al.	7,150,748 B2	12/2006	Ebbutt et al.
7,083,619 B2	8/2006	Truckai et al.	7,153,300 B2	12/2006	Goble
7,083,620 B2	8/2006	Jahns et al.	7,153,314 B2	12/2006	Laufer et al.
7,083,626 B2	8/2006	Hart et al.	7,155,316 B2	12/2006	Sutherland et al.
7,086,267 B2	8/2006	Dworak et al.	7,156,863 B2	1/2007	Sonnenschein et al.
7,087,049 B2	8/2006	Nowlin et al.	7,159,750 B2	1/2007	Racenet et al.
7,087,054 B2	8/2006	Truckai et al.	7,160,296 B2	1/2007	Pearson et al.
			7,160,299 B2	1/2007	Baily
			7,160,311 B2	1/2007	Blatter et al.
			7,161,036 B2	1/2007	Oikawa et al.
			7,161,580 B2	1/2007	Bailey et al.

(56)

References Cited

U.S. PATENT DOCUMENTS

7,162,758 B2	1/2007	Skinner	7,256,695 B2	8/2007	Hamel et al.
7,163,563 B2	1/2007	Schwartz et al.	7,258,262 B2	8/2007	Mastri et al.
7,166,117 B2	1/2007	Hellenkamp	7,258,546 B2	8/2007	Beier et al.
7,166,133 B2	1/2007	Evans et al.	7,260,431 B2	8/2007	Libbus et al.
7,168,604 B2	1/2007	Milliman et al.	7,265,374 B2	9/2007	Lee et al.
7,170,910 B2	1/2007	Chen et al.	7,267,677 B2	9/2007	Johnson et al.
7,171,279 B2	1/2007	Buckingham et al.	7,267,679 B2	9/2007	McGuckin, Jr. et al.
7,172,104 B2	2/2007	Scirica et al.	7,272,002 B2	9/2007	Drapeau
7,172,593 B2	2/2007	Trieu et al.	7,273,483 B2	9/2007	Wiener et al.
7,172,615 B2	2/2007	Morriss et al.	7,273,488 B2	9/2007	Nakamura et al.
7,174,202 B2	2/2007	Bladen et al.	D552,623 S	10/2007	Vong et al.
7,174,636 B2	2/2007	Lowe	7,275,674 B2	10/2007	Racenet et al.
7,177,533 B2	2/2007	McFarlin et al.	7,276,044 B2	10/2007	Ferry et al.
7,179,223 B2	2/2007	Motoki et al.	7,276,068 B2	10/2007	Johnson et al.
7,179,267 B2	2/2007	Nolan et al.	7,278,562 B2	10/2007	Mastri et al.
7,182,239 B1	2/2007	Myers	7,278,563 B1	10/2007	Green
7,182,763 B2	2/2007	Nardella	7,278,949 B2	10/2007	Bader
7,183,737 B2	2/2007	Kitagawa	7,278,994 B2	10/2007	Goble
7,187,960 B2	3/2007	Abreu	7,282,048 B2	10/2007	Goble et al.
7,188,758 B2	3/2007	Viola et al.	7,283,096 B2	10/2007	Geisheimer et al.
7,189,207 B2	3/2007	Viola	7,286,850 B2	10/2007	Frielink et al.
7,190,147 B2	3/2007	Gileff et al.	7,287,682 B1	10/2007	Ezzat et al.
7,193,199 B2	3/2007	Jang	7,289,139 B2	10/2007	Amling et al.
7,195,627 B2	3/2007	Amoah et al.	7,293,685 B2	11/2007	Ehrenfels et al.
7,196,911 B2	3/2007	Takano et al.	7,295,893 B2	11/2007	Sunaoshi
D541,418 S	4/2007	Schechter et al.	7,295,907 B2	11/2007	Lu et al.
7,197,965 B1	4/2007	Anderson	7,296,722 B2	11/2007	Ivanko
7,199,537 B2	4/2007	Okamura et al.	7,296,724 B2	11/2007	Green et al.
7,199,545 B2	4/2007	Oleynikov et al.	7,297,149 B2	11/2007	Vitali et al.
7,202,576 B1	4/2007	Dechene et al.	7,300,373 B2	11/2007	Jinno et al.
7,202,653 B2	4/2007	Pai	7,300,431 B2	11/2007	Dubrovsky
7,204,404 B2	4/2007	Nguyen et al.	7,300,450 B2	11/2007	Vleugels et al.
7,204,835 B2	4/2007	Latterell et al.	7,303,106 B2	12/2007	Milliman et al.
7,205,959 B2	4/2007	Henriksson	7,303,107 B2	12/2007	Milliman et al.
7,206,626 B2	4/2007	Quaid, III	7,303,108 B2	12/2007	Shelton, IV
7,207,233 B2	4/2007	Wadge	7,303,502 B2	12/2007	Thompson
7,207,471 B2	4/2007	Heinrich et al.	7,303,556 B2	12/2007	Metzger
7,207,472 B2	4/2007	Wukusick et al.	7,306,597 B2	12/2007	Manzo
7,207,556 B2	4/2007	Saitoh et al.	7,308,998 B2	12/2007	Mastri et al.
7,208,005 B2	4/2007	Frecker et al.	7,311,238 B2	12/2007	Liu
7,210,609 B2	5/2007	Leiboff et al.	7,313,430 B2	12/2007	Urquhart et al.
7,211,081 B2	5/2007	Goble	7,314,473 B2	1/2008	Jinno et al.
7,211,084 B2	5/2007	Goble et al.	7,320,704 B2	1/2008	Lashinski et al.
7,211,092 B2	5/2007	Hughett	7,322,859 B2	1/2008	Evans
7,211,979 B2	5/2007	Khatib et al.	7,322,975 B2	1/2008	Goble et al.
7,213,736 B2	5/2007	Wales et al.	7,322,994 B2	1/2008	Nicholas et al.
7,214,224 B2	5/2007	Goble	7,324,572 B2	1/2008	Chang
7,215,517 B2	5/2007	Takamatsu	7,326,203 B2	2/2008	Papineau et al.
7,217,285 B2	5/2007	Vargas et al.	7,326,213 B2	2/2008	Benderev et al.
7,220,260 B2	5/2007	Fleming et al.	7,328,828 B2	2/2008	Ortiz et al.
7,220,272 B2	5/2007	Weadock	7,328,829 B2	2/2008	Arad et al.
7,225,959 B2	6/2007	Patton et al.	7,330,004 B2	2/2008	DeJonge et al.
7,225,963 B2	6/2007	Scirica	7,331,340 B2	2/2008	Barney
7,225,964 B2	6/2007	Mastri et al.	7,331,343 B2	2/2008	Schmidt et al.
7,226,450 B2	6/2007	Athanasidou et al.	7,331,403 B2	2/2008	Berry et al.
7,226,467 B2	6/2007	Lucatero et al.	7,331,406 B2	2/2008	Wottreng, Jr. et al.
7,228,505 B2	6/2007	Shimazu et al.	7,331,969 B1	2/2008	Inganas et al.
7,229,408 B2	6/2007	Douglas et al.	7,334,717 B2	2/2008	Rethy et al.
7,234,624 B2	6/2007	Gresham et al.	7,334,718 B2	2/2008	McAlister et al.
7,235,072 B2	6/2007	Sartor et al.	7,335,199 B2	2/2008	Goble et al.
7,235,089 B1	6/2007	McGuckin, Jr.	7,335,401 B2	2/2008	Finke et al.
7,235,302 B2	6/2007	Jing et al.	7,336,045 B2	2/2008	Clermonts
7,237,708 B1	7/2007	Guy et al.	7,336,048 B2	2/2008	Lohr
7,238,195 B2	7/2007	Viola	7,336,183 B2	2/2008	Reddy et al.
7,238,901 B2	7/2007	Kim et al.	7,336,184 B2	2/2008	Smith et al.
7,239,657 B1	7/2007	Gunnarsson	7,337,774 B2	3/2008	Webb
7,241,288 B2	7/2007	Braun	7,338,505 B2	3/2008	Belson
7,241,289 B2	7/2007	Braun	7,338,513 B2	3/2008	Lee et al.
7,246,734 B2	7/2007	Shelton, IV	7,341,554 B2	3/2008	Sekine et al.
7,247,161 B2	7/2007	Johnston et al.	7,341,555 B2	3/2008	Ootawara et al.
7,249,267 B2	7/2007	Chapuis	7,341,591 B2	3/2008	Grinberg
7,252,641 B2	8/2007	Thompson et al.	7,343,920 B2	3/2008	Toby et al.
7,252,660 B2	8/2007	Kunz	7,344,532 B2	3/2008	Goble et al.
7,255,012 B2	8/2007	Hedtke	7,344,533 B2	3/2008	Pearson et al.
7,255,696 B2	8/2007	Goble et al.	7,346,344 B2	3/2008	Fontaine
			7,346,406 B2	3/2008	Brotto et al.
			7,348,763 B1	3/2008	Reinhart et al.
			7,348,875 B2	3/2008	Hughes et al.
			RE40,237 E	4/2008	Bilotti et al.

(56)

References Cited

U.S. PATENT DOCUMENTS

7,351,258 B2	4/2008	Ricotta et al.	7,431,730 B2	10/2008	Viola
7,354,398 B2	4/2008	Kanazawa	7,434,715 B2	10/2008	Shelton, IV et al.
7,354,447 B2	4/2008	Shelton, IV et al.	7,434,717 B2	10/2008	Shelton, IV et al.
7,354,502 B2	4/2008	Polat et al.	7,435,249 B2	10/2008	Buysse et al.
7,357,287 B2	4/2008	Shelton, IV et al.	7,438,209 B1	10/2008	Hess et al.
7,357,806 B2	4/2008	Rivera et al.	7,438,718 B2	10/2008	Milliman et al.
7,361,168 B2	4/2008	Makower et al.	7,439,354 B2	10/2008	Lenges et al.
7,361,195 B2	4/2008	Schwartz et al.	7,441,684 B2	10/2008	Shelton, IV et al.
7,362,062 B2	4/2008	Schneider et al.	7,441,685 B1	10/2008	Boudreaux
7,364,060 B2	4/2008	Milliman	7,442,201 B2	10/2008	Pugsley et al.
7,364,061 B2	4/2008	Swayze et al.	7,443,547 B2	10/2008	Moreno et al.
7,367,485 B2	5/2008	Shelton, IV et al.	7,446,131 B1	11/2008	Liu et al.
7,367,973 B2	5/2008	Manzo et al.	7,448,525 B2	11/2008	Shelton, IV et al.
7,368,124 B2	5/2008	Chun et al.	7,450,010 B1	11/2008	Gravelle et al.
7,371,210 B2	5/2008	Brock et al.	7,450,991 B2	11/2008	Smith et al.
7,371,403 B2	5/2008	McCarthy et al.	7,451,904 B2	11/2008	Shelton, IV
7,375,493 B2	5/2008	Calhoon et al.	7,455,208 B2	11/2008	Wales et al.
7,377,918 B2	5/2008	Amoah	7,455,676 B2	11/2008	Holsten et al.
7,377,928 B2	5/2008	Zubik et al.	7,455,682 B2	11/2008	Viola
7,378,817 B2	5/2008	Calhoon et al.	7,455,687 B2	11/2008	Saunders et al.
RE40,388 E	6/2008	Gines	D582,934 S	12/2008	Byeon
D570,868 S	6/2008	Hosokawa et al.	7,461,767 B2	12/2008	Viola et al.
7,380,695 B2	6/2008	Doll et al.	7,462,187 B2	12/2008	Johnston et al.
7,380,696 B2	6/2008	Shelton, IV et al.	7,464,845 B2	12/2008	Chou
7,384,403 B2	6/2008	Sherman	7,464,846 B2	12/2008	Shelton, IV et al.
7,384,417 B2	6/2008	Cucin	7,464,847 B2	12/2008	Viola et al.
7,386,365 B2	6/2008	Nixon	7,464,848 B2	12/2008	Green et al.
7,386,730 B2	6/2008	Uchikubo	7,464,849 B2	12/2008	Shelton, IV et al.
7,388,217 B2	6/2008	Buschbeck et al.	7,467,740 B2	12/2008	Shelton, IV et al.
7,388,484 B2	6/2008	Hsu	7,467,849 B2	12/2008	Silverbrook et al.
7,391,173 B2	6/2008	Schena	7,472,814 B2	1/2009	Mastri et al.
7,394,190 B2	7/2008	Huang	7,472,815 B2	1/2009	Shelton, IV et al.
7,396,356 B2	7/2008	Mollenauer	7,472,816 B2	1/2009	Holsten et al.
7,397,364 B2	7/2008	Govari	7,473,221 B2	1/2009	Ewers et al.
7,398,707 B2	7/2008	Morley et al.	7,473,253 B2	1/2009	Dycus et al.
7,398,907 B2	7/2008	Racenet et al.	7,473,263 B2	1/2009	Johnston et al.
7,398,908 B2	7/2008	Holsten et al.	7,476,237 B2	1/2009	Taniguchi et al.
7,400,107 B2	7/2008	Schneider et al.	7,479,147 B2	1/2009	Honeycutt et al.
7,400,752 B2	7/2008	Zacharias	7,479,608 B2	1/2009	Smith
7,401,000 B2	7/2008	Nakamura	7,481,347 B2	1/2009	Roy
7,401,721 B2	7/2008	Holsten et al.	7,481,348 B2	1/2009	Marczyk
7,404,449 B2	7/2008	Birmingham et al.	7,481,349 B2	1/2009	Holsten et al.
7,404,508 B2	7/2008	Smith et al.	7,481,824 B2	1/2009	Boudreaux et al.
7,404,509 B2	7/2008	Ortiz et al.	7,485,124 B2	2/2009	Kuhns et al.
7,404,822 B2	7/2008	Viart et al.	7,485,133 B2	2/2009	Cannon et al.
D575,793 S	8/2008	Ording	7,485,142 B2	2/2009	Milo
7,407,074 B2	8/2008	Ortiz et al.	7,487,899 B2	2/2009	Shelton, IV et al.
7,407,075 B2	8/2008	Holsten et al.	7,489,055 B2	2/2009	Jeong et al.
7,407,076 B2	8/2008	Racenet et al.	7,490,749 B2	2/2009	Schall et al.
7,407,077 B2	8/2008	Ortiz et al.	7,491,232 B2	2/2009	Bolduc et al.
7,407,078 B2	8/2008	Shelton, IV et al.	7,492,261 B2	2/2009	Cambre et al.
7,408,310 B2	8/2008	Hong et al.	7,494,039 B2	2/2009	Racenet et al.
7,410,085 B2	8/2008	Wolf et al.	7,494,460 B2	2/2009	Haarstad et al.
7,410,086 B2	8/2008	Ortiz et al.	7,494,499 B2	2/2009	Nagase et al.
7,410,483 B2	8/2008	Danitz et al.	7,494,501 B2	2/2009	Ahlberg et al.
7,413,563 B2	8/2008	Corcoran et al.	7,497,137 B2	3/2009	Tellenbach et al.
7,416,101 B2	8/2008	Shelton, IV et al.	7,500,979 B2	3/2009	Hueil et al.
7,418,078 B2	8/2008	Blanz et al.	7,501,198 B2	3/2009	Barlev et al.
RE40,514 E	9/2008	Mastri et al.	7,503,474 B2	3/2009	Hillstead et al.
7,419,080 B2	9/2008	Smith et al.	7,506,790 B2	3/2009	Shelton, IV
7,419,081 B2	9/2008	Ehrenfels et al.	7,506,791 B2	3/2009	Omaits et al.
7,419,321 B2	9/2008	Tereschouk	7,507,202 B2	3/2009	Schoellhorn
7,419,495 B2	9/2008	Menn et al.	7,510,107 B2	3/2009	Timm et al.
7,422,136 B1	9/2008	Marczyk	7,510,534 B2	3/2009	Burdorff et al.
7,422,138 B2	9/2008	Bilotti et al.	7,510,566 B2	3/2009	Jacobs et al.
7,422,139 B2	9/2008	Shelton, IV et al.	7,513,407 B1	4/2009	Chang
7,424,965 B2	9/2008	Racenet et al.	7,513,408 B2	4/2009	Shelton, IV et al.
7,427,607 B2	9/2008	Suzuki	7,517,356 B2	4/2009	Heinrich
D578,644 S	10/2008	Shumer et al.	7,524,320 B2	4/2009	Tierney et al.
7,430,772 B2	10/2008	Van Es	7,527,632 B2	5/2009	Houghton et al.
7,430,849 B1	10/2008	Coutts et al.	7,530,984 B2	5/2009	Sonnenschein et al.
7,431,188 B1	10/2008	Marczyk	7,530,985 B2	5/2009	Takemoto et al.
7,431,189 B2	10/2008	Shelton, IV et al.	7,533,906 B2	5/2009	Luetzgen et al.
7,431,230 B2	10/2008	McPherson et al.	7,534,259 B2	5/2009	Lashinski et al.
7,431,694 B2	10/2008	Stefanchik et al.	7,540,867 B2	6/2009	Jinno et al.
			7,540,872 B2	6/2009	Schechter et al.
			7,542,807 B2	6/2009	Bertolero et al.
			7,543,730 B1	6/2009	Marczyk
			7,544,197 B2	6/2009	Kelsch et al.

(56)

References Cited

U.S. PATENT DOCUMENTS

7,546,939 B2	6/2009	Adams et al.	7,631,794 B2	12/2009	Rethy et al.
7,546,940 B2	6/2009	Milliman et al.	7,635,074 B2	12/2009	Olson et al.
7,547,287 B2	6/2009	Boecker et al.	7,635,922 B2	12/2009	Becker
7,547,312 B2	6/2009	Bauman et al.	7,637,409 B2	12/2009	Marczyk
7,549,563 B2	6/2009	Mather et al.	7,637,410 B2	12/2009	Marczyk
7,549,564 B2	6/2009	Boudreaux	7,638,958 B2	12/2009	Philipp et al.
7,549,998 B2	6/2009	Braun	7,641,091 B2	1/2010	Olson et al.
7,552,854 B2	6/2009	Wixey et al.	7,641,092 B2	1/2010	Kruszynski et al.
7,553,173 B2	6/2009	Kowalick	7,641,093 B2	1/2010	Doll et al.
7,553,275 B2	6/2009	Padget et al.	7,641,095 B2	1/2010	Viola
7,554,343 B2	6/2009	Bromfield	7,641,671 B2	1/2010	Crainich
7,556,185 B2	7/2009	Viola	7,644,783 B2	1/2010	Roberts et al.
7,556,186 B2	7/2009	Milliman	7,644,848 B2	1/2010	Swayze et al.
7,556,647 B2	7/2009	Drews et al.	7,645,230 B2	1/2010	Mikkaichi et al.
7,559,449 B2	7/2009	Viola	7,648,055 B2	1/2010	Marczyk
7,559,450 B2	7/2009	Wales et al.	7,648,457 B2	1/2010	Stefanchik et al.
7,559,452 B2	7/2009	Wales et al.	7,648,519 B2	1/2010	Lee et al.
7,559,937 B2	7/2009	de la Torre et al.	7,650,185 B2	1/2010	Maile et al.
7,561,637 B2	7/2009	Jonsson et al.	7,651,017 B2	1/2010	Ortiz et al.
7,562,910 B2	7/2009	Kertesz et al.	7,651,498 B2	1/2010	Shifrin et al.
7,563,269 B2	7/2009	Hashiguchi	7,654,431 B2	2/2010	Hueil et al.
7,563,862 B2	7/2009	Sieg et al.	7,655,003 B2	2/2010	Lorang et al.
7,565,993 B2	7/2009	Milliman et al.	7,655,004 B2	2/2010	Long
7,566,300 B2	7/2009	Devierre et al.	7,655,288 B2	2/2010	Bauman et al.
7,567,045 B2	7/2009	Fristedt	7,655,584 B2	2/2010	Biran et al.
7,568,603 B2	8/2009	Shelton, IV et al.	7,656,131 B2	2/2010	Embrey et al.
7,568,604 B2	8/2009	Ehrenfels et al.	7,658,311 B2	2/2010	Boudreaux
7,568,619 B2	8/2009	Todd et al.	7,658,312 B2	2/2010	Vidal et al.
7,572,285 B2	8/2009	Frey et al.	7,658,705 B2	2/2010	Melvin et al.
7,572,298 B2	8/2009	Roller et al.	7,659,219 B2	2/2010	Biran et al.
7,575,144 B2	8/2009	Ortiz et al.	7,661,448 B2	2/2010	Kim et al.
7,578,825 B2	8/2009	Huebner	7,662,161 B2	2/2010	Briganti et al.
D600,712 S	9/2009	LaManna et al.	7,665,646 B2	2/2010	Prommersberger
7,583,063 B2	9/2009	Dooley	7,665,647 B2	2/2010	Shelton, IV et al.
7,584,880 B2	9/2009	Racenet et al.	7,666,195 B2	2/2010	Kelleher et al.
7,586,289 B2	9/2009	Andruk et al.	7,669,746 B2	3/2010	Shelton, IV
7,588,174 B2	9/2009	Holsten et al.	7,669,747 B2	3/2010	Weisenburgh, II et al.
7,588,175 B2	9/2009	Timm et al.	7,670,334 B2	3/2010	Hueil et al.
7,588,176 B2	9/2009	Timm et al.	7,670,337 B2	3/2010	Young
7,588,177 B2	9/2009	Racenet	7,673,780 B2	3/2010	Shelton, IV et al.
7,591,783 B2	9/2009	Boulais et al.	7,673,781 B2	3/2010	Swayze et al.
7,591,818 B2	9/2009	Bertolero et al.	7,673,782 B2	3/2010	Hess et al.
7,593,766 B2	9/2009	Faber et al.	7,673,783 B2	3/2010	Morgan et al.
7,595,642 B2	9/2009	Doyle	7,674,253 B2	3/2010	Fisher et al.
7,597,229 B2	10/2009	Boudreaux et al.	7,674,255 B2	3/2010	Braun
7,597,230 B2	10/2009	Racenet et al.	7,674,263 B2	3/2010	Ryan
7,597,693 B2	10/2009	Garrison	7,674,270 B2	3/2010	Layer
7,597,699 B2	10/2009	Rogers	7,678,121 B1	3/2010	Knodel
7,598,972 B2	10/2009	Tomita	7,682,307 B2	3/2010	Danitz et al.
7,600,663 B2	10/2009	Green	7,682,367 B2	3/2010	Shah et al.
7,604,118 B2	10/2009	Iio et al.	7,682,686 B2	3/2010	Curro et al.
7,604,150 B2	10/2009	Boudreaux	7,686,201 B2	3/2010	Csiky
7,604,151 B2	10/2009	Hess et al.	7,686,804 B2	3/2010	Johnson et al.
7,604,668 B2	10/2009	Farnsworth et al.	7,686,826 B2	3/2010	Lee et al.
7,605,826 B2	10/2009	Sauer	7,688,028 B2	3/2010	Phillips et al.
7,607,557 B2	10/2009	Shelton, IV et al.	7,690,547 B2	4/2010	Racenet et al.
7,608,091 B2	10/2009	Goldfarb et al.	7,691,098 B2	4/2010	Wallace et al.
D604,325 S	11/2009	Ebeling et al.	7,691,103 B2	4/2010	Fernandez et al.
7,611,038 B2	11/2009	Racenet et al.	7,691,106 B2	4/2010	Schenberger et al.
7,611,474 B2	11/2009	Hibner et al.	7,694,864 B2	4/2010	Okada et al.
7,615,003 B2	11/2009	Stefanchik et al.	7,694,865 B2	4/2010	Scirica
7,615,006 B2	11/2009	Abe	7,695,485 B2	4/2010	Whitman et al.
7,615,067 B2	11/2009	Lee et al.	7,695,493 B2	4/2010	Saadat et al.
7,617,961 B2	11/2009	Viola	7,699,204 B2	4/2010	Viola
7,618,427 B2	11/2009	Ortiz et al.	7,699,835 B2	4/2010	Lee et al.
D605,201 S	12/2009	Lorenz et al.	7,699,844 B2	4/2010	Utley et al.
D606,992 S	12/2009	Liu et al.	7,699,846 B2	4/2010	Ryan
D607,010 S	12/2009	Kocmick	7,699,856 B2	4/2010	Van Wyk et al.
7,624,902 B2	12/2009	Marczyk et al.	7,699,859 B2	4/2010	Bombard et al.
7,624,903 B2	12/2009	Green et al.	7,699,860 B2	4/2010	Huitema et al.
7,625,370 B2	12/2009	Hart et al.	7,699,868 B2	4/2010	Frank et al.
7,625,388 B2	12/2009	Boukhny et al.	7,703,653 B2	4/2010	Shah et al.
7,625,662 B2	12/2009	Vaisnys et al.	7,705,559 B2	4/2010	Powell et al.
7,630,841 B2	12/2009	Comisky et al.	7,706,853 B2	4/2010	Hacker et al.
7,631,793 B2	12/2009	Rethy et al.	7,708,180 B2	5/2010	Murray et al.
			7,708,181 B2	5/2010	Cole et al.
			7,708,182 B2	5/2010	Viola
			7,708,758 B2	5/2010	Lee et al.
			7,708,768 B2	5/2010	Danek et al.

(56)

References Cited

U.S. PATENT DOCUMENTS

7,709,136 B2	5/2010	Touchton et al.	7,775,972 B2	8/2010	Brock et al.
7,712,182 B2	5/2010	Zeiler et al.	7,776,037 B2	8/2010	Odom
7,713,190 B2	5/2010	Brock et al.	7,776,060 B2	8/2010	Mooradian et al.
7,713,542 B2	5/2010	Xu et al.	7,776,065 B2	8/2010	Griffiths et al.
7,714,239 B2	5/2010	Smith	7,778,004 B2	8/2010	Nerheim et al.
7,714,334 B2	5/2010	Lin	7,779,614 B1	8/2010	McGonagle et al.
7,717,312 B2	5/2010	Beetel	7,779,737 B2	8/2010	Newman, Jr. et al.
7,717,313 B2	5/2010	Criscuolo et al.	7,780,054 B2	8/2010	Wales
7,717,846 B2	5/2010	Zirps et al.	7,780,055 B2	8/2010	Scirica et al.
7,717,873 B2	5/2010	Swick	7,780,309 B2	8/2010	McMillan et al.
7,717,915 B2	5/2010	Miyazawa	7,780,651 B2	8/2010	Madhani et al.
7,717,926 B2	5/2010	Whitfield et al.	7,780,663 B2	8/2010	Yates et al.
7,718,180 B2	5/2010	Karp	7,780,685 B2	8/2010	Hunt et al.
7,718,556 B2	5/2010	Matsuda et al.	7,782,382 B2	8/2010	Fujimura
7,721,930 B2	5/2010	McKenna et al.	7,784,662 B2	8/2010	Wales et al.
7,721,931 B2	5/2010	Shelton, IV et al.	7,784,663 B2	8/2010	Shelton, IV
7,721,932 B2	5/2010	Cole et al.	7,787,256 B2	8/2010	Chan et al.
7,721,933 B2	5/2010	Ehrenfels et al.	7,789,283 B2	9/2010	Shah
7,721,934 B2	5/2010	Shelton, IV et al.	7,789,875 B2	9/2010	Brock et al.
7,721,936 B2	5/2010	Shalton, IV et al.	7,789,883 B2	9/2010	Takashino et al.
7,722,527 B2	5/2010	Bouchier et al.	7,789,889 B2	9/2010	Zubik et al.
7,722,607 B2	5/2010	Dumbauld et al.	7,793,812 B2	9/2010	Moore et al.
7,722,610 B2	5/2010	Viola et al.	7,794,475 B2	9/2010	Hess et al.
7,725,214 B2	5/2010	Diolaiti	7,798,386 B2	9/2010	Schall et al.
7,726,171 B2	6/2010	Langlotz et al.	7,799,039 B2	9/2010	Shelton, IV et al.
7,726,537 B2	6/2010	Olson et al.	7,799,044 B2	9/2010	Johnston et al.
7,726,538 B2	6/2010	Holsten et al.	7,799,965 B2	9/2010	Patel et al.
7,726,539 B2	6/2010	Holsten et al.	7,803,151 B2	9/2010	Whitman
7,727,954 B2	6/2010	McKay	7,806,871 B2	10/2010	Li et al.
7,728,553 B2	6/2010	Carrier et al.	7,806,891 B2	10/2010	Nowlin et al.
7,729,742 B2	6/2010	Govari	7,810,690 B2	10/2010	Bilotti et al.
7,731,072 B2	6/2010	Timm et al.	7,810,691 B2	10/2010	Boyden et al.
7,731,073 B2	6/2010	Wixey et al.	7,810,692 B2	10/2010	Hall et al.
7,731,724 B2	6/2010	Huitema et al.	7,810,693 B2	10/2010	Broehl et al.
7,735,703 B2	6/2010	Morgan et al.	7,811,275 B2	10/2010	Birk et al.
7,735,704 B2	6/2010	Bilotti	7,814,816 B2	10/2010	Alberti et al.
7,736,254 B2	6/2010	Schena	7,815,092 B2	10/2010	Whitman et al.
7,736,306 B2	6/2010	Brustad et al.	7,815,565 B2	10/2010	Stefanchik et al.
7,736,374 B2	6/2010	Vaughan et al.	7,815,662 B2	10/2010	Spivey et al.
7,738,971 B2	6/2010	Swayze et al.	7,819,296 B2	10/2010	Hueil et al.
7,740,159 B2	6/2010	Shelton, IV et al.	7,819,297 B2	10/2010	Doll et al.
7,742,036 B2	6/2010	Grant et al.	7,819,298 B2	10/2010	Hall et al.
7,743,960 B2	6/2010	Whitman et al.	7,819,299 B2	10/2010	Shelton, IV et al.
7,744,624 B2	6/2010	Bettuchi	7,819,799 B2	10/2010	Merril et al.
7,744,627 B2	6/2010	Orban, III et al.	7,819,884 B2	10/2010	Lee et al.
7,744,628 B2	6/2010	Viola	7,819,885 B2	10/2010	Cooper
7,747,146 B2	6/2010	Milano et al.	7,819,886 B2	10/2010	Whitfield et al.
7,748,587 B2	7/2010	Haramiishi et al.	7,819,894 B2	10/2010	Mitsuishi et al.
7,748,632 B2	7/2010	Coleman et al.	7,823,592 B2	11/2010	Bettuchi et al.
7,749,204 B2	7/2010	Dhanaraj et al.	7,823,760 B2	11/2010	Zemlok et al.
7,749,240 B2	7/2010	Takahashi et al.	7,824,401 B2	11/2010	Manzo et al.
7,751,870 B2	7/2010	Whitman	7,824,422 B2	11/2010	Benchetrit
7,753,245 B2	7/2010	Boudreaux et al.	7,824,426 B2	11/2010	Racenet et al.
7,753,246 B2	7/2010	Scirica	7,828,189 B2	11/2010	Holsten et al.
7,753,904 B2	7/2010	Shelton, IV et al.	7,828,794 B2	11/2010	Sartor
7,757,924 B2	7/2010	Gerbi et al.	7,828,808 B2	11/2010	Hinman et al.
7,758,594 B2	7/2010	Lamson et al.	7,829,416 B2	11/2010	Kudou et al.
7,758,612 B2	7/2010	Shipp	7,831,292 B2	11/2010	Quaid et al.
7,758,613 B2	7/2010	Whitman	7,832,408 B2	11/2010	Shelton, IV et al.
7,762,462 B2	7/2010	Gelbman	7,832,611 B2	11/2010	Boyden et al.
7,762,998 B2	7/2010	Birk et al.	7,832,612 B2	11/2010	Baxter, III et al.
D622,286 S	8/2010	Umezawa	7,833,234 B2	11/2010	Bailly et al.
7,766,207 B2	8/2010	Mather et al.	7,835,823 B2	11/2010	Sillman et al.
7,766,209 B2	8/2010	Baxter, III et al.	7,836,400 B2	11/2010	May et al.
7,766,210 B2	8/2010	Shelton, IV et al.	7,837,079 B2	11/2010	Holsten et al.
7,766,821 B2	8/2010	Brunnen et al.	7,837,080 B2	11/2010	Schwemberger
7,766,894 B2	8/2010	Weitzner et al.	7,837,081 B2	11/2010	Holsten et al.
7,770,658 B2	8/2010	Ito et al.	7,837,425 B2	11/2010	Saeki et al.
7,770,773 B2	8/2010	Whitman et al.	7,837,685 B2	11/2010	Weinberg et al.
7,770,774 B2	8/2010	Mastri et al.	7,837,687 B2	11/2010	Harp
7,770,775 B2	8/2010	Shelton, IV et al.	7,837,694 B2	11/2010	Tethrake et al.
7,770,776 B2	8/2010	Chen et al.	7,838,789 B2	11/2010	Stoffers et al.
7,771,396 B2	8/2010	Stefanchik et al.	7,839,109 B2	11/2010	Carmen, Jr. et al.
7,772,720 B2	8/2010	McGee et al.	7,840,253 B2	11/2010	Tremblay et al.
7,772,725 B2	8/2010	Siman-Tov	7,841,503 B2	11/2010	Sonnenschein et al.
			7,842,025 B2	11/2010	Coleman et al.
			7,842,028 B2	11/2010	Lee
			7,843,158 B2	11/2010	Prisco
			7,845,533 B2	12/2010	Marczyk et al.

(56)

References Cited

U.S. PATENT DOCUMENTS

7,845,534 B2	12/2010	Viola et al.	7,914,521 B2	3/2011	Wang et al.
7,845,535 B2	12/2010	Scircia	7,914,543 B2	3/2011	Roth et al.
7,845,536 B2	12/2010	Viola et al.	7,914,551 B2	3/2011	Ortiz et al.
7,845,537 B2	12/2010	Shelton, IV et al.	7,918,230 B2	4/2011	Whitman et al.
7,845,538 B2	12/2010	Whitman	7,918,376 B1	4/2011	Knodel et al.
7,845,912 B2	12/2010	Sung et al.	7,918,377 B2	4/2011	Measamer et al.
7,846,085 B2	12/2010	Silverman et al.	7,918,845 B2	4/2011	Saadat et al.
7,846,149 B2	12/2010	Jankowski	7,918,848 B2	4/2011	Lau et al.
7,846,161 B2	12/2010	Dumbauld et al.	7,918,861 B2	4/2011	Brock et al.
7,848,066 B2	12/2010	Yanagishima	7,918,867 B2	4/2011	Dana et al.
7,850,623 B2	12/2010	Griffin et al.	7,922,061 B2	4/2011	Shelton, IV et al.
7,850,642 B2	12/2010	Moll et al.	7,922,063 B2	4/2011	Zemlok et al.
7,850,982 B2	12/2010	Stopek et al.	7,922,743 B2	4/2011	Heinrich et al.
7,853,813 B2	12/2010	Lee	7,923,144 B2	4/2011	Kohn et al.
7,854,735 B2	12/2010	Houser et al.	7,926,691 B2	4/2011	Viola et al.
7,854,736 B2	12/2010	Ryan	7,926,692 B2	4/2011	Racenet et al.
7,857,183 B2	12/2010	Shelton, IV	7,927,328 B2	4/2011	Orszulak et al.
7,857,184 B2	12/2010	Viola	7,928,281 B2	4/2011	Augustine
7,857,185 B2	12/2010	Swayze et al.	7,930,040 B1	4/2011	Kelsch et al.
7,857,186 B2	12/2010	Baxter, III et al.	7,930,065 B2	4/2011	Larkin et al.
7,857,813 B2	12/2010	Schmitz et al.	7,931,660 B2	4/2011	Aranyi et al.
7,861,906 B2	1/2011	Doll et al.	7,931,695 B2	4/2011	Ringeisen
7,862,502 B2	1/2011	Pool et al.	7,931,877 B2	4/2011	Steffens et al.
7,862,546 B2	1/2011	Conlon et al.	7,934,630 B2	5/2011	Shelton, IV et al.
7,862,579 B2	1/2011	Ortiz et al.	7,934,631 B2	5/2011	Balbierz et al.
7,866,525 B2	1/2011	Scirica	7,934,896 B2	5/2011	Schnier
7,866,527 B2	1/2011	Hall et al.	7,935,130 B2	5/2011	Williams
7,866,528 B2	1/2011	Olson et al.	7,935,773 B2	5/2011	Hadba et al.
7,870,989 B2	1/2011	Viola et al.	7,936,142 B2	5/2011	Otsuka et al.
7,871,418 B2	1/2011	Thompson et al.	7,938,307 B2	5/2011	Bettuchi
7,871,440 B2	1/2011	Schwartz et al.	7,939,152 B2	5/2011	Haskin et al.
7,875,055 B2	1/2011	Cichocki, Jr.	7,941,865 B2	5/2011	Seman, Jr. et al.
7,879,063 B2	2/2011	Khosravi	7,942,300 B2	5/2011	Rethy et al.
7,879,070 B2	2/2011	Ortiz et al.	7,942,303 B2	5/2011	Shah
7,879,367 B2	2/2011	Heublein et al.	7,942,890 B2	5/2011	D'Agostino et al.
7,883,461 B2	2/2011	Albrecht et al.	7,944,175 B2	5/2011	Mori et al.
7,883,465 B2	2/2011	Donofrio et al.	7,945,792 B2	5/2011	Cherpantier
7,883,540 B2	2/2011	Niwa et al.	7,945,798 B2	5/2011	Carlson et al.
7,886,951 B2	2/2011	Hessler	7,946,453 B2	5/2011	Voegele et al.
7,886,952 B2	2/2011	Scirica et al.	7,947,011 B2	5/2011	Birk et al.
7,887,530 B2	2/2011	Zemlok et al.	7,948,381 B2	5/2011	Lindsay et al.
7,887,535 B2	2/2011	Lands et al.	7,950,560 B2	5/2011	Zemlok et al.
7,887,536 B2	2/2011	Johnson et al.	7,950,561 B2	5/2011	Aranyi
7,887,563 B2	2/2011	Cummins	7,950,562 B2	5/2011	Beardsley et al.
7,887,755 B2	2/2011	Mingerink et al.	7,951,071 B2	5/2011	Whitman et al.
7,891,531 B1	2/2011	Ward	7,951,166 B2	5/2011	Orban, III et al.
7,891,532 B2	2/2011	Mastri et al.	7,952,464 B2	5/2011	Nikitin et al.
7,892,200 B2	2/2011	Birk et al.	7,954,682 B2	6/2011	Giordano et al.
7,892,245 B2	2/2011	Liddicoat et al.	7,954,684 B2	6/2011	Boudreaux
7,893,586 B2	2/2011	West et al.	7,954,685 B2	6/2011	Viola
7,896,214 B2	3/2011	Farascioni	7,954,686 B2	6/2011	Baxter, III et al.
7,896,215 B2	3/2011	Adams et al.	7,954,687 B2	6/2011	Zemlok et al.
7,896,671 B2	3/2011	Kim et al.	7,954,688 B2	6/2011	Argentine et al.
7,896,869 B2	3/2011	DiSilvestro et al.	7,955,253 B2	6/2011	Ewers et al.
7,896,877 B2	3/2011	Hall et al.	7,955,257 B2	6/2011	Frasier et al.
7,896,895 B2	3/2011	Boudreaux et al.	7,955,322 B2	6/2011	Devengenzo et al.
7,896,897 B2	3/2011	Gresham et al.	7,955,327 B2	6/2011	Sartor et al.
7,896,900 B2	3/2011	Frank et al.	7,955,380 B2	6/2011	Chu et al.
7,898,198 B2	3/2011	Murphree	7,959,050 B2	6/2011	Smith et al.
7,900,805 B2	3/2011	Shelton, IV et al.	7,959,051 B2	6/2011	Smith et al.
7,900,806 B2	3/2011	Chen et al.	7,959,052 B2	6/2011	Sonnenschein et al.
7,901,381 B2	3/2011	Birk et al.	7,963,432 B2	6/2011	Knodel et al.
7,905,380 B2	3/2011	Shelton, IV et al.	7,963,433 B2	6/2011	Whitman et al.
7,905,381 B2	3/2011	Baxter, III et al.	7,963,913 B2	6/2011	Devengenzo et al.
7,905,881 B2	3/2011	Masuda et al.	7,963,963 B2	6/2011	Francischelli et al.
7,905,889 B2	3/2011	Catanese, III et al.	7,963,964 B2	6/2011	Santilli et al.
7,905,890 B2	3/2011	Whitfield et al.	7,964,206 B2	6/2011	Suokas et al.
7,905,902 B2	3/2011	Huitema et al.	7,966,236 B2	6/2011	Noriega et al.
7,909,039 B2	3/2011	Hur	7,966,269 B2	6/2011	Bauer et al.
7,909,191 B2	3/2011	Baker et al.	7,966,799 B2	6/2011	Morgan et al.
7,909,220 B2	3/2011	Viola	7,967,178 B2	6/2011	Scirica et al.
7,909,221 B2	3/2011	Viola et al.	7,967,179 B2	6/2011	Olson et al.
7,909,224 B2	3/2011	Prommersberger	7,967,180 B2	6/2011	Scirica
7,913,891 B2	3/2011	Doll et al.	7,967,181 B2	6/2011	Viola et al.
7,913,893 B2	3/2011	Mastri et al.	7,967,791 B2	6/2011	Franer et al.
			7,967,839 B2	6/2011	Flock et al.
			7,972,298 B2	7/2011	Wallace et al.
			7,972,315 B2	7/2011	Birk et al.
			7,976,213 B2	7/2011	Bertolotti et al.

(56)

References Cited

U.S. PATENT DOCUMENTS

7,976,508 B2	7/2011	Hoag	8,048,503 B2	11/2011	Farnsworth et al.
7,976,563 B2	7/2011	Summerer	8,052,636 B2	11/2011	Moll et al.
7,979,137 B2	7/2011	Tracey et al.	8,056,787 B2	11/2011	Boudreaux et al.
7,980,443 B2	7/2011	Scheib et al.	8,056,788 B2	11/2011	Mastri et al.
7,981,025 B2	7/2011	Pool et al.	8,056,789 B1	11/2011	White et al.
7,981,102 B2	7/2011	Patel et al.	8,057,508 B2	11/2011	Shelton, IV
7,981,132 B2	7/2011	Dubrul et al.	8,058,771 B2	11/2011	Giordano et al.
7,987,405 B2	7/2011	Turner et al.	8,060,250 B2	11/2011	Reiland et al.
7,988,015 B2	8/2011	Mason, II et al.	8,061,014 B2	11/2011	Smith et al.
7,988,026 B2	8/2011	Knodel et al.	8,061,576 B2	11/2011	Cappola
7,988,027 B2	8/2011	Olson et al.	8,062,236 B2	11/2011	Soltz
7,988,028 B2	8/2011	Farascioni et al.	8,062,306 B2	11/2011	Nobis et al.
7,988,779 B2	8/2011	Disalvo et al.	8,062,330 B2	11/2011	Prommersberger et al.
7,992,757 B2	8/2011	Wheeler et al.	8,063,619 B2	11/2011	Zhu et al.
7,993,360 B2	8/2011	Hacker et al.	8,066,158 B2	11/2011	Vogel et al.
7,994,670 B2	8/2011	Ji	8,066,166 B2	11/2011	Demmy et al.
7,997,054 B2	8/2011	Bertsch et al.	8,066,167 B2	11/2011	Measamer et al.
7,997,468 B2	8/2011	Farascioni	8,066,168 B2	11/2011	Vidal et al.
7,997,469 B2	8/2011	Olson et al.	8,066,720 B2	11/2011	Knodel et al.
8,002,696 B2	8/2011	Suzuki	D650,074 S *	12/2011	Hunt D24/133
8,002,784 B2	8/2011	Jinno et al.	D650,789 S	12/2011	Arnold
8,002,785 B2	8/2011	Weiss et al.	8,070,033 B2	12/2011	Milliman et al.
8,002,795 B2	8/2011	Beetel	8,070,034 B1	12/2011	Knodel
8,006,365 B2	8/2011	Levin et al.	8,070,035 B2	12/2011	Holsten et al.
8,006,885 B2	8/2011	Marczyk	8,070,743 B2	12/2011	Kagan et al.
8,006,889 B2	8/2011	Adams et al.	8,074,858 B2	12/2011	Marczyk
8,007,370 B2	8/2011	Hirsch et al.	8,074,859 B2	12/2011	Kostrzewski
8,007,465 B2	8/2011	Birk et al.	8,074,861 B2	12/2011	Ehrenfels et al.
8,007,479 B2	8/2011	Birk et al.	8,075,476 B2	12/2011	Vargas
8,007,511 B2	8/2011	Brock et al.	8,075,571 B2	12/2011	Vitali et al.
8,007,513 B2	8/2011	Nalagatla et al.	8,079,950 B2	12/2011	Stern et al.
8,008,598 B2	8/2011	Whitman et al.	8,079,989 B2	12/2011	Birk et al.
8,010,180 B2	8/2011	Quaid et al.	8,080,004 B2	12/2011	Downey et al.
8,011,550 B2	9/2011	Aranyi et al.	8,083,118 B2	12/2011	Milliman et al.
8,011,551 B2	9/2011	Marczyk et al.	8,083,119 B2	12/2011	Prommersberger
8,011,553 B2	9/2011	Mastri et al.	8,083,120 B2	12/2011	Shelton, IV et al.
8,011,555 B2	9/2011	Tarinelli et al.	8,084,001 B2	12/2011	Burns et al.
8,012,170 B2	9/2011	Whitman et al.	8,084,969 B2	12/2011	David et al.
8,016,176 B2	9/2011	Kasvikis et al.	8,085,013 B2	12/2011	Wei et al.
8,016,177 B2	9/2011	Bettuchi et al.	8,087,562 B1	1/2012	Manoux et al.
8,016,178 B2	9/2011	Olson et al.	8,087,563 B2	1/2012	Milliman et al.
8,016,849 B2	9/2011	Wenchell	8,089,509 B2	1/2012	Chatenever et al.
8,016,855 B2	9/2011	Whitman et al.	8,091,753 B2	1/2012	Viola
8,016,858 B2	9/2011	Whitman	8,091,756 B2	1/2012	Viola
8,016,881 B2	9/2011	Furst	8,092,443 B2	1/2012	Bischoff
8,020,742 B2	9/2011	Marczyk	8,092,932 B2	1/2012	Phillips et al.
8,020,743 B2	9/2011	Shelton, IV	8,093,572 B2	1/2012	Kuduvalli
8,021,375 B2	9/2011	Aldrich et al.	8,096,458 B2	1/2012	Hessler
8,025,199 B2	9/2011	Whitman et al.	8,096,459 B2	1/2012	Ortiz et al.
8,025,896 B2	9/2011	Malaviya et al.	8,097,017 B2	1/2012	Viola
8,028,835 B2	10/2011	Yasuda et al.	8,100,310 B2	1/2012	Zemlok
8,028,882 B2	10/2011	Viola	8,100,824 B2	1/2012	Hegeman et al.
8,028,883 B2	10/2011	Stopek	8,100,872 B2	1/2012	Patel
8,028,884 B2	10/2011	Sniffin et al.	8,102,138 B2	1/2012	Sekine et al.
8,028,885 B2	10/2011	Smith et al.	8,102,278 B2	1/2012	Deck et al.
8,029,510 B2	10/2011	Hoegerle	8,105,320 B2	1/2012	Manzo
8,031,069 B2	10/2011	Cohn et al.	8,105,350 B2	1/2012	Lee et al.
8,033,438 B2	10/2011	Scirica	8,107,925 B2	1/2012	Natsuno et al.
8,033,439 B2	10/2011	Racenet et al.	8,108,033 B2	1/2012	Drew et al.
8,033,440 B2	10/2011	Wenchell et al.	8,108,072 B2	1/2012	Zhao et al.
8,033,442 B2	10/2011	Racenet et al.	8,109,426 B2	2/2012	Milliman et al.
8,034,077 B2	10/2011	Smith et al.	8,110,208 B1	2/2012	Hen
8,034,337 B2	10/2011	Simard	8,113,405 B2	2/2012	Milliman
8,034,363 B2	10/2011	Li et al.	8,113,407 B2	2/2012	Holsten et al.
8,035,487 B2	10/2011	Malackowski	8,113,408 B2	2/2012	Wenchell et al.
8,037,591 B2	10/2011	Spivey et al.	8,113,410 B2	2/2012	Hall et al.
8,038,044 B2	10/2011	Viola	8,114,017 B2	2/2012	Bacher
8,038,045 B2	10/2011	Bettuchi et al.	8,114,100 B2	2/2012	Smith et al.
8,038,046 B2	10/2011	Smith et al.	8,114,345 B2	2/2012	Dlugos, Jr. et al.
8,038,686 B2	10/2011	Huitema et al.	8,118,206 B2	2/2012	Zand et al.
8,043,207 B2	10/2011	Adams	8,118,207 B2	2/2012	Racenet et al.
8,043,328 B2	10/2011	Hahnen et al.	8,120,301 B2	2/2012	Goldberg et al.
8,044,536 B2	10/2011	Nguyen et al.	8,122,128 B2	2/2012	Burke, II et al.
8,044,604 B2	10/2011	Hagino et al.	8,123,103 B2	2/2012	Milliman
8,047,236 B2	11/2011	Perry	8,123,523 B2	2/2012	Carron et al.
			8,123,766 B2	2/2012	Bauman et al.
			8,123,767 B2	2/2012	Bauman et al.
			8,125,168 B2	2/2012	Johnson et al.
			8,127,975 B2	3/2012	Olson et al.

(56)

References Cited

U.S. PATENT DOCUMENTS

8,127,976 B2	3/2012	Scirica et al.	8,201,720 B2	6/2012	Hessler
8,128,624 B2	3/2012	Couture et al.	8,201,721 B2	6/2012	Zemlok et al.
8,128,643 B2	3/2012	Aranyi et al.	8,202,549 B2	6/2012	Stucky et al.
8,128,645 B2	3/2012	Sonnenschein et al.	8,205,779 B2	6/2012	Ma et al.
8,128,662 B2	3/2012	Altarac et al.	8,205,780 B2	6/2012	Sorrentino et al.
8,132,703 B2	3/2012	Milliman et al.	8,205,781 B2	6/2012	Baxter, III et al.
8,132,705 B2	3/2012	Viola et al.	8,207,863 B2	6/2012	Neubauer et al.
8,132,706 B2	3/2012	Marczyk et al.	8,210,411 B2	7/2012	Yates et al.
8,133,500 B2	3/2012	Ringeisen et al.	8,210,414 B2	7/2012	Bettuchi et al.
8,134,306 B2	3/2012	Drader et al.	8,210,415 B2	7/2012	Ward
8,136,711 B2	3/2012	Beardsley et al.	8,210,416 B2	7/2012	Milliman et al.
8,136,712 B2	3/2012	Zingman	8,210,721 B2	7/2012	Chen et al.
8,136,713 B2	3/2012	Hathaway et al.	8,211,125 B2	7/2012	Spivey
8,137,339 B2	3/2012	Jinno et al.	8,214,019 B2	7/2012	Govari et al.
8,140,417 B2	3/2012	Shibata	8,215,531 B2	7/2012	Shelton, IV et al.
8,141,762 B2	3/2012	Bedi et al.	8,215,532 B2	7/2012	Marczyk
8,141,763 B2	3/2012	Milliman	8,215,533 B2	7/2012	Viola et al.
8,142,200 B2	3/2012	Crunkilton et al.	8,220,468 B2	7/2012	Cooper et al.
8,142,425 B2	3/2012	Eggers	8,220,688 B2	7/2012	Laurent et al.
8,142,461 B2	3/2012	Houser et al.	8,220,690 B2	7/2012	Hess et al.
8,142,515 B2	3/2012	Therin et al.	8,221,402 B2	7/2012	Francischelli et al.
8,143,520 B2	3/2012	Cutler	8,221,424 B2	7/2012	Cha
8,146,790 B2	4/2012	Milliman	8,221,433 B2	7/2012	Lozier et al.
8,147,421 B2	4/2012	Farquhar et al.	8,225,799 B2	7/2012	Bettuchi
8,147,456 B2	4/2012	Fisher et al.	8,225,979 B2	7/2012	Farascioni et al.
8,147,485 B2	4/2012	Wham et al.	8,226,553 B2	7/2012	Shelton, IV et al.
8,152,041 B2	4/2012	Kostrzewski	8,226,635 B2	7/2012	Petrie et al.
8,152,756 B2	4/2012	Webster et al.	8,226,675 B2	7/2012	Houser et al.
8,154,239 B2	4/2012	Katsuki et al.	8,226,715 B2	7/2012	Hwang et al.
8,157,145 B2	4/2012	Shelton, IV et al.	8,227,946 B2	7/2012	Kim
8,157,148 B2	4/2012	Scirica	8,228,020 B2	7/2012	Shin et al.
8,157,151 B2	4/2012	Ingmanson et al.	8,228,048 B2	7/2012	Spencer
8,157,152 B2	4/2012	Holsten et al.	8,229,549 B2	7/2012	Whitman et al.
8,157,153 B2	4/2012	Shelton, IV et al.	8,231,040 B2	7/2012	Zemlok et al.
8,157,793 B2	4/2012	Omori et al.	8,231,042 B2	7/2012	Hessler et al.
8,157,834 B2	4/2012	Conlon	8,231,043 B2	7/2012	Tarinelli et al.
8,161,977 B2	4/2012	Shelton, IV et al.	8,235,272 B2	8/2012	Nicholas et al.
8,162,138 B2	4/2012	Bettenhausen et al.	8,235,274 B2	8/2012	Cappola
8,162,197 B2	4/2012	Mastri et al.	8,236,010 B2	8/2012	Ortiz et al.
8,162,668 B2	4/2012	Toly	8,236,011 B2	8/2012	Harris et al.
8,162,933 B2	4/2012	Francischelli et al.	8,236,020 B2	8/2012	Smith et al.
8,162,965 B2	4/2012	Reschke et al.	8,237,388 B2	8/2012	Jinno et al.
8,167,185 B2	5/2012	Shelton, IV et al.	8,240,537 B2	8/2012	Marczyk
8,167,622 B2	5/2012	Zhou	8,241,271 B2	8/2012	Millman et al.
8,167,895 B2	5/2012	D'Agostino et al.	8,241,284 B2	8/2012	Dycus et al.
8,167,898 B1	5/2012	Schaller et al.	8,241,308 B2	8/2012	Kortenbach et al.
8,170,241 B2	5/2012	Roe et al.	8,241,322 B2	8/2012	Whitman et al.
8,172,004 B2	5/2012	Ho	8,245,594 B2	8/2012	Rogers et al.
8,172,120 B2	5/2012	Boyden et al.	8,245,898 B2	8/2012	Smith et al.
8,172,122 B2	5/2012	Kasvikis et al.	8,245,899 B2	8/2012	Swensgard et al.
8,172,124 B2	5/2012	Shelton, IV et al.	8,245,900 B2	8/2012	Scirica
8,177,776 B2	5/2012	Humayun et al.	8,245,901 B2	8/2012	Stopek
8,177,797 B2	5/2012	Shimoji et al.	8,246,608 B2	8/2012	Omori et al.
8,179,705 B2	5/2012	Chapuis	8,246,637 B2	8/2012	Viola et al.
8,180,458 B2	5/2012	Kane et al.	8,252,009 B2	8/2012	Weller et al.
8,181,839 B2	5/2012	Beetel	8,256,654 B2	9/2012	Bettuchi et al.
8,181,840 B2	5/2012	Milliman	8,256,655 B2	9/2012	Sniffin et al.
8,182,422 B2	5/2012	Bayer et al.	8,256,656 B2	9/2012	Milliman et al.
8,182,444 B2	5/2012	Uber, III et al.	8,257,251 B2	9/2012	Shelton, IV et al.
8,183,807 B2	5/2012	Tsai et al.	8,257,356 B2	9/2012	Bleich et al.
8,186,555 B2	5/2012	Shelton, IV et al.	8,257,386 B2	9/2012	Lee et al.
8,186,556 B2	5/2012	Viola	8,257,391 B2	9/2012	Orban, III et al.
8,186,558 B2	5/2012	Sapienza	8,257,634 B2	9/2012	Scirica
8,186,560 B2	5/2012	Hess et al.	8,258,745 B2	9/2012	Smith et al.
8,190,238 B2	5/2012	Moll et al.	8,261,958 B1	9/2012	Knodel
8,191,752 B2	6/2012	Scirica	8,262,560 B2	9/2012	Whitman
8,192,350 B2	6/2012	Ortiz et al.	8,262,655 B2	9/2012	Ghabrial et al.
8,192,460 B2	6/2012	Orban, III et al.	8,266,232 B2	9/2012	Piper et al.
8,192,651 B2	6/2012	Young et al.	8,267,300 B2	9/2012	Boudreaux
8,193,129 B2	6/2012	Tagawa et al.	8,267,849 B2	9/2012	Wazer et al.
8,196,795 B2	6/2012	Moore et al.	8,267,924 B2	9/2012	Zemlok et al.
8,196,796 B2	6/2012	Shelton, IV et al.	8,267,946 B2	9/2012	Whitfield et al.
8,197,501 B2	6/2012	Shadeck et al.	8,267,951 B2	9/2012	Wayne et al.
8,197,502 B2	6/2012	Smith et al.	8,268,344 B2	9/2012	Ma et al.
8,197,837 B2	6/2012	Jamiolkowski et al.	8,269,121 B2	9/2012	Smith
			8,272,553 B2	9/2012	Mastri et al.
			8,272,554 B2	9/2012	Whitman et al.
			8,272,918 B2	9/2012	Lam
			8,273,404 B2	9/2012	Dave et al.

(56)

References Cited

U.S. PATENT DOCUMENTS

8,276,594 B2	10/2012	Shah	8,334,468 B2	12/2012	Palmer et al.
8,276,801 B2	10/2012	Zemlok et al.	8,336,753 B2	12/2012	Olson et al.
8,276,802 B2	10/2012	Kostrzewski	8,336,754 B2	12/2012	Cappola et al.
8,277,473 B2	10/2012	Sunaoshi et al.	8,342,377 B2	1/2013	Milliman et al.
8,281,446 B2	10/2012	Moskovich	8,342,378 B2	1/2013	Marczyk et al.
8,281,973 B2	10/2012	Wenchell et al.	8,342,379 B2	1/2013	Whitman et al.
8,281,974 B2	10/2012	Hessler et al.	8,342,380 B2	1/2013	Viola
8,282,654 B2	10/2012	Ferrari et al.	8,343,150 B2	1/2013	Artale
8,285,367 B2	10/2012	Hyde et al.	8,347,978 B2	1/2013	Forster et al.
8,286,723 B2	10/2012	Puzio et al.	8,348,118 B2	1/2013	Segura
8,286,845 B2	10/2012	Perry et al.	8,348,123 B2	1/2013	Scirica et al.
8,286,846 B2	10/2012	Smith et al.	8,348,124 B2	1/2013	Scirica
8,286,847 B2	10/2012	Taylor	8,348,125 B2	1/2013	Viola et al.
8,287,487 B2	10/2012	Estes	8,348,126 B2	1/2013	Olson et al.
8,287,522 B2	10/2012	Moses et al.	8,348,127 B2	1/2013	Marczyk
8,287,561 B2	10/2012	Nunez et al.	8,348,129 B2	1/2013	Bedi et al.
8,288,984 B2	10/2012	Yang	8,348,130 B2	1/2013	Shah et al.
8,289,403 B2	10/2012	Dobashi et al.	8,348,131 B2	1/2013	Omaits et al.
8,290,883 B2	10/2012	Takeuchi et al.	8,348,837 B2	1/2013	Wenchell
8,292,147 B2	10/2012	Viola	8,348,959 B2	1/2013	Wolford et al.
8,292,148 B2	10/2012	Viola	8,348,972 B2	1/2013	Soltz et al.
8,292,150 B2	10/2012	Bryant	8,349,987 B2	1/2013	Kapiamba et al.
8,292,151 B2	10/2012	Viola	8,352,004 B2	1/2013	Mannheimer et al.
8,292,152 B2	10/2012	Milliman et al.	8,353,437 B2	1/2013	Boudreaux
8,292,155 B2	10/2012	Shelton, IV et al.	8,353,438 B2	1/2013	Baxter, III et al.
8,292,157 B2	10/2012	Smith et al.	8,353,439 B2	1/2013	Baxter, III et al.
8,292,158 B2	10/2012	Sapienza	8,356,740 B1	1/2013	Knodel
8,292,801 B2	10/2012	Dejima et al.	8,357,144 B2	1/2013	Whitman et al.
8,292,888 B2	10/2012	Whitman	8,357,158 B2	1/2013	McKenna et al.
8,292,906 B2	10/2012	Taylor et al.	8,357,161 B2	1/2013	Mueller
8,294,399 B2	10/2012	Suzuki et al.	8,359,174 B2	1/2013	Nakashima et al.
8,298,161 B2	10/2012	Vargas	8,360,296 B2	1/2013	Zingman
8,298,189 B2	10/2012	Fisher et al.	8,360,297 B2	1/2013	Shelton, IV et al.
8,298,233 B2	10/2012	Mueller	8,360,298 B2	1/2013	Farascioni et al.
8,298,677 B2	10/2012	Wiesner et al.	8,360,299 B2	1/2013	Zemlok et al.
8,302,323 B2	11/2012	Fortier et al.	8,361,501 B2	1/2013	DiTizio et al.
8,303,621 B2	11/2012	Miyamoto et al.	D676,866 S	2/2013	Chaudhri
8,308,040 B2	11/2012	Huang et al.	8,365,972 B2	2/2013	Aranyi et al.
8,308,041 B2	11/2012	Kostrzewski	8,365,973 B1	2/2013	White et al.
8,308,042 B2	11/2012	Aranyi	8,365,975 B1	2/2013	Manoux et al.
8,308,043 B2	11/2012	Bindra et al.	8,365,976 B2	2/2013	Hess et al.
8,308,046 B2	11/2012	Prommersberger	8,366,559 B2	2/2013	Papenfuss et al.
8,308,659 B2	11/2012	Scheibe et al.	8,366,719 B2	2/2013	Markey et al.
8,308,725 B2	11/2012	Bell et al.	8,366,787 B2	2/2013	Brown et al.
8,310,188 B2	11/2012	Nakai	8,368,327 B2	2/2013	Benning et al.
8,313,496 B2	11/2012	Sauer et al.	8,369,056 B2	2/2013	Senriuchi et al.
8,313,499 B2	11/2012	Magnusson et al.	8,371,393 B2	2/2013	Higuchi et al.
8,313,509 B2	11/2012	Kostrzewski	8,371,491 B2	2/2013	Huitema et al.
8,317,070 B2	11/2012	Hueil et al.	8,371,492 B2	2/2013	Aranyi et al.
8,317,071 B1	11/2012	Knodel	8,371,493 B2	2/2013	Aranyi et al.
8,317,074 B2	11/2012	Ortiz et al.	8,371,494 B2	2/2013	Racenet et al.
8,317,437 B2	11/2012	Merkley et al.	8,372,094 B2	2/2013	Bettuchi et al.
8,317,744 B2	11/2012	Kirschenman	8,374,723 B2	2/2013	Zhao et al.
8,317,790 B2	11/2012	Bell et al.	8,376,865 B2	2/2013	Forster et al.
8,319,002 B2	11/2012	Daniels et al.	8,377,029 B2	2/2013	Nagao et al.
D672,784 S	12/2012	Clanton et al.	8,377,044 B2	2/2013	Coe et al.
8,322,455 B2	12/2012	Shelton, IV et al.	8,377,059 B2	2/2013	Deville et al.
8,322,589 B2	12/2012	Boudreaux	8,381,828 B2	2/2013	Whitman et al.
8,322,590 B2	12/2012	Patel et al.	8,382,773 B2	2/2013	Whitfield et al.
8,322,901 B2	12/2012	Michelotti	8,382,790 B2	2/2013	Uenohara et al.
8,323,271 B2	12/2012	Humayun et al.	D677,273 S	3/2013	Randall et al.
8,323,789 B2	12/2012	Rozhin et al.	8,387,848 B2	3/2013	Johnson et al.
8,324,585 B2	12/2012	McBroom et al.	8,388,633 B2	3/2013	Rousseau et al.
8,327,514 B2	12/2012	Kim	8,389,588 B2	3/2013	Ringeisen et al.
8,328,061 B2	12/2012	Kasvikis	8,393,513 B2	3/2013	Jankowski
8,328,062 B2	12/2012	Viola	8,393,514 B2	3/2013	Shelton, IV et al.
8,328,063 B2	12/2012	Milliman et al.	8,393,516 B2	3/2013	Kostrzewski
8,328,064 B2	12/2012	Racenet et al.	8,397,832 B2	3/2013	Blickle et al.
8,328,065 B2	12/2012	Shah	8,397,971 B2	3/2013	Yates et al.
8,328,802 B2	12/2012	Deville et al.	8,397,972 B2	3/2013	Kostrzewski
8,328,823 B2	12/2012	Aranyi et al.	8,397,973 B1	3/2013	Hausen
8,333,313 B2	12/2012	Boudreaux et al.	8,398,633 B2	3/2013	Mueller
8,333,691 B2	12/2012	Schaaf	8,398,669 B2	3/2013	Kim
8,333,764 B2	12/2012	Francischelli et al.	8,398,673 B2	3/2013	Hinchliffe et al.
8,333,779 B2	12/2012	Smith et al.	8,398,674 B2	3/2013	Prestel
			8,400,108 B2	3/2013	Powell et al.
			8,400,851 B2	3/2013	Byun
			8,403,138 B2	3/2013	Weisshaupt et al.
			8,403,195 B2	3/2013	Beardsley et al.

(56)

References Cited

U.S. PATENT DOCUMENTS

8,403,196 B2	3/2013	Beardsley et al.	8,469,946 B2	6/2013	Sugita
8,403,198 B2	3/2013	Sorrentino et al.	8,469,973 B2	6/2013	Meade et al.
8,403,832 B2	3/2013	Cunningham et al.	8,470,355 B2	6/2013	Skalla et al.
8,403,926 B2	3/2013	Nobis et al.	D686,240 S	7/2013	Lin
8,403,945 B2	3/2013	Whitfield et al.	D686,244 S	7/2013	Moriya et al.
8,403,946 B2	3/2013	Whitfield et al.	8,474,677 B2	7/2013	Woodard, Jr. et al.
8,403,950 B2	3/2013	Palmer et al.	8,475,453 B2	7/2013	Marczyk et al.
D680,646 S	4/2013	Hunt et al.	8,475,454 B1	7/2013	Alshemari
8,408,439 B2	4/2013	Huang et al.	8,475,474 B2	7/2013	Bombard et al.
8,408,442 B2	4/2013	Racenet et al.	8,479,968 B2	7/2013	Hodgkinson et al.
8,409,079 B2	4/2013	Okamoto et al.	8,479,969 B2	7/2013	Shelton, IV
8,409,174 B2	4/2013	Omori	8,480,703 B2	7/2013	Nicholas et al.
8,409,175 B2	4/2013	Lee et al.	8,483,509 B2	7/2013	Matsuzaka
8,409,211 B2	4/2013	Baroud	8,485,412 B2	7/2013	Shelton, IV et al.
8,409,222 B2	4/2013	Whitfield et al.	8,485,413 B2	7/2013	Scheib et al.
8,409,223 B2	4/2013	Sorrentino et al.	8,485,970 B2	7/2013	Widenhouse et al.
8,411,500 B2	4/2013	Gapihan et al.	8,486,047 B2	7/2013	Stopek
8,413,661 B2	4/2013	Rousseau et al.	8,487,199 B2	7/2013	Palmer et al.
8,413,870 B2	4/2013	Pastorelli et al.	8,487,487 B2	7/2013	Dietz et al.
8,413,871 B2	4/2013	Racenet et al.	8,490,851 B2	7/2013	Blier et al.
8,413,872 B2	4/2013	Patel	8,490,852 B2	7/2013	Viola
8,414,469 B2	4/2013	Diolaiti	8,490,853 B2	7/2013	Criscuolo et al.
8,414,577 B2	4/2013	Boudreaux et al.	8,491,581 B2	7/2013	Deville et al.
8,414,598 B2	4/2013	Brock et al.	8,491,603 B2	7/2013	Yeung et al.
8,418,073 B2	4/2013	Mohr et al.	8,496,153 B2	7/2013	Demmy et al.
8,418,906 B2	4/2013	Farascioni et al.	8,496,154 B2	7/2013	Marczyk et al.
8,418,907 B2	4/2013	Johnson et al.	8,496,156 B2	7/2013	Sniffin et al.
8,418,908 B1	4/2013	Beardsley	8,496,683 B2	7/2013	Prommersberger et al.
8,418,909 B2	4/2013	Kostrzewski	8,498,691 B2	7/2013	Moll et al.
8,419,635 B2	4/2013	Shelton, IV et al.	8,499,673 B2	8/2013	Keller
8,419,717 B2	4/2013	Diolaiti et al.	8,499,966 B2	8/2013	Palmer et al.
8,419,747 B2	4/2013	Hinman et al.	8,499,992 B2	8/2013	Whitman et al.
8,419,754 B2	4/2013	Laby et al.	8,499,993 B2	8/2013	Shelton, IV et al.
8,419,755 B2	4/2013	Deem et al.	8,499,994 B2	8/2013	D'Arcangelo
8,423,182 B2	4/2013	Robinson et al.	8,500,721 B2	8/2013	Jinno
8,424,737 B2	4/2013	Scirica	8,500,762 B2	8/2013	Sholev et al.
8,424,739 B2	4/2013	Racenet et al.	8,502,091 B2	8/2013	Palmer et al.
8,424,740 B2	4/2013	Shelton, IV et al.	8,505,799 B2	8/2013	Viola et al.
8,424,741 B2	4/2013	McGuckin, Jr. et al.	8,505,801 B2	8/2013	Ehrenfels et al.
8,425,600 B2	4/2013	Maxwell	8,506,555 B2	8/2013	Ruiz Morales
8,427,430 B2	4/2013	Lee et al.	8,506,557 B2	8/2013	Zemlok et al.
8,430,292 B2	4/2013	Patel et al.	8,506,580 B2	8/2013	Zergiebel et al.
8,430,892 B2	4/2013	Bindra et al.	8,506,581 B2	8/2013	Wingardner, III et al.
8,430,898 B2	4/2013	Wiener et al.	8,511,308 B2	8/2013	Hecox et al.
8,435,257 B2	5/2013	Smith et al.	8,512,359 B2	8/2013	Whitman et al.
8,439,246 B1	5/2013	Knodel	8,512,402 B2	8/2013	Marczyk et al.
8,439,830 B2	5/2013	McKinley et al.	8,517,239 B2	8/2013	Scheib et al.
8,444,036 B2	5/2013	Shelton, IV	8,517,241 B2	8/2013	Nicholas et al.
8,444,037 B2	5/2013	Nicholas et al.	8,517,243 B2	8/2013	Giordano et al.
8,444,549 B2	5/2013	Viola et al.	8,517,244 B2	8/2013	Shelton, IV et al.
8,449,536 B2	5/2013	Selig	8,517,938 B2	8/2013	Eisenhardt et al.
8,449,560 B2	5/2013	Roth et al.	8,518,024 B2	8/2013	Williams et al.
8,453,904 B2	6/2013	Eskaros et al.	8,521,273 B2	8/2013	Kliman
8,453,906 B2	6/2013	Huang et al.	8,523,042 B2	9/2013	Masiakos et al.
8,453,907 B2	6/2013	Laurent et al.	8,523,043 B2	9/2013	Ullrich et al.
8,453,908 B2	6/2013	Bedi et al.	8,523,787 B2	9/2013	Ludwin et al.
8,453,912 B2	6/2013	Mastri et al.	8,523,881 B2	9/2013	Cabiri et al.
8,453,914 B2	6/2013	Laurent et al.	8,523,882 B2	9/2013	Huitema et al.
8,454,495 B2	6/2013	Kawano et al.	8,523,900 B2	9/2013	Jinno et al.
8,454,551 B2	6/2013	Allen et al.	8,529,588 B2	9/2013	Ahlberg et al.
8,454,628 B2	6/2013	Smith et al.	8,529,599 B2	9/2013	Holsten
8,454,640 B2	6/2013	Johnston et al.	8,529,600 B2	9/2013	Woodard, Jr. et al.
8,457,757 B2	6/2013	Cauller et al.	8,529,819 B2	9/2013	Ostapoff et al.
8,459,520 B2	6/2013	Giordano et al.	8,532,747 B2	9/2013	Nock et al.
8,459,521 B2	6/2013	Zemlok et al.	8,534,527 B2	9/2013	Brendel et al.
8,459,524 B2	6/2013	Pribanic et al.	8,534,528 B2	9/2013	Shelton, IV
8,459,525 B2	6/2013	Yates et al.	8,535,304 B2	9/2013	Sklar et al.
8,464,922 B2	6/2013	Marczyk	8,535,340 B2	9/2013	Allen
8,464,923 B2	6/2013	Shelton, IV	8,539,866 B2	9/2013	Nayak et al.
8,464,924 B2	6/2013	Gresham et al.	8,540,128 B2	9/2013	Shelton, IV et al.
8,464,925 B2	6/2013	Hull et al.	8,540,129 B2	9/2013	Baxter, III et al.
8,465,475 B2	6/2013	Isbell, Jr.	8,540,130 B2	9/2013	Moore et al.
8,465,502 B2	6/2013	Zergiebel	8,540,131 B2	9/2013	Swayze
8,465,515 B2	6/2013	Drew et al.	8,540,133 B2	9/2013	Bedi et al.
8,469,254 B2	6/2013	Czernik et al.	8,540,646 B2	9/2013	Mendez-Coll
			8,540,733 B2	9/2013	Whitman et al.
			8,540,735 B2	9/2013	Mitelberg et al.
			8,550,984 B2	10/2013	Takemoto
			8,551,076 B2	10/2013	Duval et al.

(56)

References Cited

U.S. PATENT DOCUMENTS

8,555,660 B2	10/2013	Takenaka et al.	8,636,187 B2	1/2014	Hueil et al.
8,556,151 B2	10/2013	Viola	8,636,190 B2	1/2014	Zemlok et al.
8,556,918 B2	10/2013	Bauman et al.	8,636,191 B2	1/2014	Meagher
8,556,935 B1	10/2013	Knodel et al.	8,636,193 B2	1/2014	Whitman et al.
8,560,147 B2	10/2013	Taylor et al.	8,636,736 B2	1/2014	Yates et al.
8,561,617 B2	10/2013	Lindh et al.	8,636,766 B2	1/2014	Milliman et al.
8,561,870 B2	10/2013	Baxter, III et al.	8,639,936 B2	1/2014	Hu et al.
8,561,871 B2	10/2013	Rajappa et al.	8,640,788 B2	2/2014	Dachs, II et al.
8,561,873 B2	10/2013	Ingmanson et al.	8,646,674 B2	2/2014	Schulte et al.
8,562,592 B2	10/2013	Conlon et al.	8,647,258 B2	2/2014	Aranyi et al.
8,562,598 B2	10/2013	Falkenstein et al.	8,652,120 B2	2/2014	Giordano et al.
8,567,656 B2	10/2013	Shelton, IV et al.	8,652,151 B2	2/2014	Lehman et al.
8,568,416 B2	10/2013	Schmitz et al.	8,652,155 B2	2/2014	Houser et al.
8,568,425 B2	10/2013	Ross et al.	8,656,929 B2	2/2014	Miller et al.
D692,916 S	11/2013	Granchi et al.	8,657,174 B2	2/2014	Yates et al.
8,573,459 B2	11/2013	Smith et al.	8,657,175 B2	2/2014	Sonnenschein et al.
8,573,461 B2	11/2013	Shelton, IV et al.	8,657,176 B2	2/2014	Shelton, IV et al.
8,573,462 B2	11/2013	Smith et al.	8,657,177 B2	2/2014	Scirica et al.
8,573,465 B2	11/2013	Shelton, IV	8,657,178 B2	2/2014	Hueil et al.
8,574,199 B2	11/2013	von Bulow et al.	8,657,482 B2	2/2014	Malackowski et al.
8,574,263 B2	11/2013	Mueller	8,657,808 B2	2/2014	McPherson et al.
8,575,880 B2	11/2013	Grantz	8,657,814 B2	2/2014	Werneth et al.
8,575,895 B2	11/2013	Garrastacho et al.	8,657,821 B2	2/2014	Palermo
8,579,176 B2	11/2013	Smith et al.	D701,238 S	3/2014	Lai et al.
8,579,178 B2	11/2013	Holsten et al.	8,662,370 B2	3/2014	Takei
8,579,897 B2	11/2013	Vakharia et al.	8,663,106 B2	3/2014	Stivoric et al.
8,579,937 B2	11/2013	Gresham	8,663,192 B2	3/2014	Hester et al.
8,584,919 B2	11/2013	Hueil et al.	8,663,245 B2	3/2014	Francischelli et al.
8,584,920 B2	11/2013	Hodgkinson	8,663,262 B2	3/2014	Smith et al.
8,584,921 B2	11/2013	Scirica	8,663,270 B2	3/2014	Donnigan et al.
8,585,583 B2	11/2013	Sakaguchi et al.	8,664,792 B2	3/2014	Rebsdorf
8,585,598 B2	11/2013	Razzaque et al.	8,668,129 B2	3/2014	Olson
8,585,721 B2	11/2013	Kirsch	8,668,130 B2	3/2014	Hess et al.
8,590,760 B2	11/2013	Cummins et al.	8,672,206 B2	3/2014	Aranyi et al.
8,590,762 B2	11/2013	Hess et al.	8,672,207 B2	3/2014	Shelton, IV et al.
8,590,764 B2	11/2013	Hartwick et al.	8,672,208 B2	3/2014	Hess et al.
8,591,400 B2	11/2013	Sugiyama	8,672,209 B2	3/2014	Crainich
8,596,515 B2	12/2013	Okoniewski	8,672,922 B2	3/2014	Loh et al.
8,597,745 B2	12/2013	Farnsworth et al.	8,672,935 B2	3/2014	Okada et al.
8,599,450 B2	12/2013	Kubo et al.	8,672,951 B2	3/2014	Smith et al.
8,602,125 B2	12/2013	King	8,673,210 B2	3/2014	Deshays
8,602,287 B2	12/2013	Yates et al.	8,675,820 B2	3/2014	Baic et al.
8,602,288 B2	12/2013	Shelton, IV et al.	8,678,263 B2	3/2014	Viola
8,603,077 B2	12/2013	Cooper et al.	8,678,994 B2	3/2014	Sonnenschein et al.
8,603,089 B2	12/2013	Viola	8,679,093 B2	3/2014	Farra
8,603,110 B2	12/2013	Maruyama et al.	8,679,098 B2	3/2014	Hart
8,603,135 B2	12/2013	Mueller	8,679,137 B2	3/2014	Bauman et al.
8,608,043 B2	12/2013	Scirica	8,679,154 B2	3/2014	Smith et al.
8,608,044 B2	12/2013	Hueil et al.	8,679,156 B2	3/2014	Smith et al.
8,608,045 B2	12/2013	Smith et al.	8,679,454 B2	3/2014	Guire et al.
8,608,046 B2	12/2013	Laurent et al.	8,684,248 B2	4/2014	Milliman
8,608,745 B2	12/2013	Guzman et al.	8,684,249 B2	4/2014	Racenet et al.
8,613,383 B2	12/2013	Beckman et al.	8,684,250 B2	4/2014	Bettuchi et al.
8,613,384 B2	12/2013	Pastorelli et al.	8,684,253 B2	4/2014	Giordano et al.
8,616,427 B2	12/2013	Viola	8,684,962 B2	4/2014	Kirschenman et al.
8,616,431 B2	12/2013	Timm et al.	8,685,004 B2	4/2014	Zemlock et al.
8,617,155 B2	12/2013	Johnson et al.	8,685,020 B2	4/2014	Weizman et al.
8,620,473 B2	12/2013	Diolaiti et al.	8,690,893 B2	4/2014	Deitch et al.
8,622,274 B2	1/2014	Yates et al.	8,695,866 B2	4/2014	Leimbach et al.
8,622,275 B2	1/2014	Baxter, III et al.	8,696,665 B2	4/2014	Hunt et al.
8,627,993 B2	1/2014	Smith et al.	8,701,958 B2	4/2014	Shelton, IV et al.
8,627,994 B2	1/2014	Zemlok et al.	8,701,959 B2	4/2014	Shah
8,627,995 B2	1/2014	Smith et al.	8,706,316 B1	4/2014	Hoevenaar
8,628,467 B2	1/2014	Whitman et al.	8,708,210 B2	4/2014	Zemlok et al.
8,628,518 B2	1/2014	Blumenkranz et al.	8,708,211 B2	4/2014	Zemlok et al.
8,628,544 B2	1/2014	Farascioni	8,708,212 B2	4/2014	Williams
8,628,545 B2	1/2014	Cabrera et al.	8,708,213 B2	4/2014	Shelton, IV et al.
8,631,987 B2	1/2014	Shelton, IV et al.	8,709,012 B2	4/2014	Muller
8,631,992 B1	1/2014	Hausen et al.	8,714,352 B2	5/2014	Farascioni et al.
8,631,993 B2	1/2014	Kostrzewski	8,714,429 B2	5/2014	Demmy
8,632,462 B2	1/2014	Yoo et al.	8,714,430 B2	5/2014	Natarajan et al.
8,632,525 B2	1/2014	Kerr et al.	8,715,256 B2	5/2014	Greener
8,632,535 B2	1/2014	Shelton, IV et al.	8,715,302 B2	5/2014	Ibrahim et al.
8,632,539 B2	1/2014	Twomey et al.	8,720,766 B2	5/2014	Hess et al.
8,632,563 B2	1/2014	Nagase et al.	8,721,630 B2	5/2014	Ortiz et al.
			8,721,666 B2	5/2014	Schroeder et al.
			8,727,197 B2	5/2014	Hess et al.
			8,727,199 B2	5/2014	Wenchell
			8,727,200 B2	5/2014	Roy

(56)

References Cited

U.S. PATENT DOCUMENTS

8,727,961 B2	5/2014	Ziv	8,800,840 B2	8/2014	Jankowski
8,728,099 B2	5/2014	Cohn et al.	8,800,841 B2	8/2014	Ellerhorst et al.
8,728,119 B2	5/2014	Cummins	8,801,710 B2	8/2014	Ullrich et al.
8,733,470 B2	5/2014	Matthias et al.	8,801,734 B2	8/2014	Shelton, IV et al.
8,733,611 B2	5/2014	Milliman	8,801,735 B2	8/2014	Shelton, IV et al.
8,733,612 B2	5/2014	Ma	8,801,752 B2	8/2014	Fortier et al.
8,733,613 B2	5/2014	Huitema et al.	8,801,801 B2	8/2014	Datta et al.
8,733,614 B2	5/2014	Ross et al.	8,806,973 B2	8/2014	Ross et al.
8,734,336 B2	5/2014	Bonadio et al.	8,807,414 B2	8/2014	Ross et al.
8,734,359 B2	5/2014	Ibanez et al.	8,808,161 B2	8/2014	Gregg et al.
8,734,478 B2	5/2014	Widenhouse et al.	8,808,164 B2	8/2014	Hoffman et al.
8,734,831 B2	5/2014	Kim et al.	8,808,274 B2	8/2014	Hartwell
8,739,033 B2	5/2014	Rosenberg	8,808,294 B2	8/2014	Fox et al.
8,739,417 B2	6/2014	Tokunaga et al.	8,808,308 B2	8/2014	Boukhny et al.
8,740,034 B2	6/2014	Morgan et al.	8,808,311 B2	8/2014	Heinrich et al.
8,740,037 B2	6/2014	Shelton, IV et al.	8,808,325 B2	8/2014	Hess et al.
8,740,038 B2	6/2014	Shelton, IV et al.	8,810,197 B2	8/2014	Juergens
8,740,987 B2	6/2014	Geremakis et al.	8,811,017 B2	8/2014	Fujii et al.
8,746,529 B2	6/2014	Shelton, IV et al.	8,813,866 B2	8/2014	Suzuki
8,746,530 B2	6/2014	Giordano et al.	8,814,024 B2	8/2014	Woodard, Jr. et al.
8,746,533 B2	6/2014	Whitman et al.	8,814,025 B2	8/2014	Miller et al.
8,746,535 B2	6/2014	Shelton, IV et al.	8,814,836 B2	8/2014	Ignon et al.
8,747,238 B2	6/2014	Shelton, IV et al.	8,815,594 B2	8/2014	Harris et al.
8,747,441 B2	6/2014	Konieczynski et al.	8,818,523 B2	8/2014	Olson et al.
8,752,264 B2	6/2014	Ackley et al.	8,820,603 B2	9/2014	Shelton, IV et al.
8,752,699 B2	6/2014	Morgan et al.	8,820,605 B2	9/2014	Shelton, IV
8,752,747 B2	6/2014	Shelton, IV et al.	8,820,606 B2	9/2014	Hodgkinson
8,752,748 B2	6/2014	Whitman et al.	8,820,607 B2	9/2014	Marczyk
8,752,749 B2	6/2014	Moore et al.	8,820,608 B2	9/2014	Miyamoto
8,753,664 B2	6/2014	Dao et al.	8,821,514 B2	9/2014	Aranyi
8,757,287 B2	6/2014	Mak et al.	8,822,934 B2	9/2014	Sayeh et al.
8,757,465 B2	6/2014	Woodard, Jr. et al.	8,825,164 B2	9/2014	Tweden et al.
8,758,235 B2	6/2014	Jaworek	8,827,133 B2	9/2014	Shelton, IV et al.
8,758,366 B2	6/2014	McLean et al.	8,827,134 B2	9/2014	Viola et al.
8,758,391 B2	6/2014	Swayze et al.	8,827,903 B2	9/2014	Shelton, IV et al.
8,758,438 B2	6/2014	Boyce et al.	8,828,046 B2	9/2014	Stefanchik et al.
8,763,875 B2	7/2014	Morgan et al.	8,831,779 B2	9/2014	Ortmaier et al.
8,763,876 B2	7/2014	Kostrzewski	8,833,219 B2	9/2014	Pierce
8,763,877 B2	7/2014	Schall et al.	8,833,630 B2	9/2014	Milliman
8,763,879 B2	7/2014	Shelton, IV et al.	8,833,632 B2	9/2014	Swensgard
8,764,732 B2	7/2014	Hartwell	8,834,353 B2	9/2014	Dejima et al.
8,765,942 B2	7/2014	Feraud et al.	8,834,465 B2	9/2014	Ramstein et al.
8,770,458 B2	7/2014	Scirica	8,834,498 B2	9/2014	Byrum et al.
8,770,459 B2	7/2014	Racenet et al.	8,834,518 B2	9/2014	Faller et al.
8,770,460 B2	7/2014	Belzer	8,840,003 B2	9/2014	Morgan et al.
8,771,169 B2	7/2014	Whitman et al.	8,840,603 B2	9/2014	Shelton, IV et al.
8,771,260 B2	7/2014	Conlon et al.	8,840,609 B2	9/2014	Stuebe
8,777,004 B2	7/2014	Shelton, IV et al.	8,840,876 B2	9/2014	Eemeta et al.
8,777,082 B2	7/2014	Scirica	8,844,789 B2	9/2014	Shelton, IV et al.
8,777,083 B2	7/2014	Racenet et al.	8,844,790 B2	9/2014	Demmy et al.
8,777,898 B2	7/2014	Suon et al.	8,845,622 B2	9/2014	Paik et al.
8,783,541 B2	7/2014	Shelton, IV et al.	8,851,215 B2	10/2014	Goto
8,783,542 B2	7/2014	Riestedberg et al.	8,851,354 B2	10/2014	Swensgard et al.
8,783,543 B2	7/2014	Shelton, IV et al.	8,851,355 B2	10/2014	Aranyi et al.
8,784,304 B2	7/2014	Mikkaichi et al.	8,852,174 B2	10/2014	Burbank
8,784,404 B2	7/2014	Doyle et al.	8,852,185 B2	10/2014	Twomey
8,784,415 B2	7/2014	Malackowski et al.	8,852,199 B2	10/2014	Deslauriers et al.
8,789,737 B2	7/2014	Hodgkinson et al.	8,852,218 B2	10/2014	Hughett, Sr. et al.
8,789,739 B2	7/2014	Swensgard	8,857,693 B2	10/2014	Schuckmann et al.
8,789,740 B2	7/2014	Baxter, III et al.	8,857,694 B2	10/2014	Shelton, IV et al.
8,789,741 B2	7/2014	Baxter, III et al.	8,858,538 B2	10/2014	Belson et al.
8,790,658 B2	7/2014	Cigarini et al.	8,858,547 B2	10/2014	Brogna
8,790,684 B2	7/2014	Dave et al.	8,858,571 B2	10/2014	Shelton, IV et al.
D711,905 S	8/2014	Morrison et al.	8,858,590 B2	10/2014	Shelton, IV et al.
8,794,496 B2	8/2014	Scirica	8,864,007 B2	10/2014	Widenhouse et al.
8,794,497 B2	8/2014	Zingman	8,864,009 B2	10/2014	Shelton, IV et al.
8,795,159 B2	8/2014	Moriyama	8,864,010 B2	10/2014	Williams
8,795,276 B2	8/2014	Dietz et al.	8,864,750 B2	10/2014	Ross et al.
8,795,308 B2	8/2014	Valin	8,869,912 B2	10/2014	Rofkamp et al.
8,795,324 B2	8/2014	Kawai et al.	8,869,913 B2	10/2014	Matthias et al.
8,796,995 B2	8/2014	Cunanan et al.	8,870,050 B2	10/2014	Hodgkinson
8,800,681 B2	8/2014	Rousson et al.	8,870,867 B2	10/2014	Walberg et al.
8,800,837 B2	8/2014	Zemlok	8,870,912 B2	10/2014	Brisson et al.
8,800,838 B2	8/2014	Shelton, IV	8,871,829 B2	10/2014	Gerold et al.
8,800,839 B2	8/2014	Beetel	8,875,971 B2	11/2014	Hall et al.
			8,875,972 B2	11/2014	Weisenburgh, II et al.
			8,876,698 B2	11/2014	Sakamoto et al.
			8,876,857 B2	11/2014	Burbank
			8,876,858 B2	11/2014	Braun

(56)

References Cited

U.S. PATENT DOCUMENTS

8,882,660 B2	11/2014	Phee et al.	8,968,340 B2	3/2015	Chowaniec et al.
8,882,792 B2	11/2014	Dietz et al.	8,968,355 B2	3/2015	Malkowski et al.
8,884,560 B2	11/2014	Ito	8,968,358 B2	3/2015	Reschke
8,887,979 B2	11/2014	Mastri et al.	8,970,507 B2	3/2015	Holbein et al.
8,888,688 B2	11/2014	Julian et al.	8,973,803 B2	3/2015	Hall et al.
8,888,695 B2	11/2014	Piskun et al.	8,973,804 B2	3/2015	Hess et al.
8,888,792 B2	11/2014	Harris et al.	8,973,805 B2	3/2015	Scirica et al.
8,888,809 B2	11/2014	Davison et al.	8,974,440 B2	3/2015	Farritor et al.
8,893,946 B2	11/2014	Boudreaux et al.	8,974,542 B2	3/2015	Fujimoto et al.
8,893,949 B2	11/2014	Shelton, IV et al.	8,974,932 B2	3/2015	McGahan et al.
8,894,647 B2	11/2014	Beardsley et al.	8,978,954 B2	3/2015	Shelton, IV et al.
8,894,654 B2	11/2014	Anderson	8,978,955 B2	3/2015	Aronhalt et al.
8,899,460 B2	12/2014	Wojcicki	8,978,956 B2	3/2015	Schall et al.
8,899,461 B2	12/2014	Farascioni	8,979,843 B2	3/2015	Timm et al.
8,899,462 B2	12/2014	Kostrzewski et al.	8,979,890 B2	3/2015	Boudreaux
8,899,463 B2	12/2014	Schall et al.	8,982,195 B2	3/2015	Claus et al.
8,899,464 B2	12/2014	Hueil et al.	8,984,711 B2	3/2015	Ota et al.
8,899,465 B2	12/2014	Shelton, IV et al.	8,985,240 B2	3/2015	Winnard
8,899,466 B2	12/2014	Baxter, III et al.	8,985,429 B2	3/2015	Balek et al.
8,900,267 B2	12/2014	Woolfson et al.	8,986,302 B2	3/2015	Aldridge et al.
8,905,287 B2	12/2014	Racenet et al.	8,989,903 B2	3/2015	Weir et al.
8,905,977 B2	12/2014	Shelton et al.	8,991,676 B2	3/2015	Hess et al.
8,910,846 B2	12/2014	Viola	8,991,677 B2	3/2015	Moore et al.
8,910,847 B2	12/2014	Nalagatla et al.	8,991,678 B2	3/2015	Wellman et al.
8,911,426 B2	12/2014	Coppeta et al.	8,992,042 B2	3/2015	Eichenholz
8,911,448 B2	12/2014	Stein	8,992,422 B2	3/2015	Spivey et al.
8,911,460 B2	12/2014	Neurohr et al.	8,992,565 B2	3/2015	Brisson et al.
8,911,471 B2	12/2014	Spivey et al.	8,996,165 B2	3/2015	Wang et al.
8,912,746 B2	12/2014	Reid et al.	8,998,058 B2	4/2015	Moore et al.
8,915,842 B2	12/2014	Weisenburgh, II et al.	8,998,059 B2	4/2015	Smith et al.
8,920,368 B2	12/2014	Sandhu et al.	8,998,060 B2	4/2015	Bruewer et al.
8,920,433 B2	12/2014	Barrier et al.	8,998,061 B2	4/2015	Williams et al.
8,920,435 B2	12/2014	Smith et al.	8,998,939 B2	4/2015	Price et al.
8,920,438 B2	12/2014	Aranyi et al.	9,000,720 B2	4/2015	Stulen et al.
8,920,443 B2	12/2014	Hiles et al.	9,002,518 B2	4/2015	Manzo et al.
8,920,444 B2	12/2014	Hiles et al.	9,004,339 B1	4/2015	Park
8,922,163 B2	12/2014	Macdonald	9,004,799 B1	4/2015	Tibbits
8,925,782 B2	1/2015	Shelton, IV	9,005,230 B2	4/2015	Yates et al.
8,925,783 B2	1/2015	Zemlok et al.	9,005,238 B2	4/2015	DeSantis et al.
8,925,788 B2	1/2015	Hess et al.	9,005,243 B2	4/2015	Stopek et al.
8,926,506 B2	1/2015	Widenhouse et al.	9,010,606 B2	4/2015	Aranyi et al.
8,926,598 B2	1/2015	Mollere et al.	9,010,608 B2	4/2015	Casasanta, Jr. et al.
8,931,576 B2	1/2015	Iwata	9,010,611 B2	4/2015	Ross et al.
8,931,679 B2	1/2015	Kostrzewski	9,011,437 B2	4/2015	Woodruff et al.
8,931,680 B2	1/2015	Milliman	9,011,439 B2	4/2015	Shalaby et al.
8,931,682 B2	1/2015	Timm et al.	9,011,471 B2	4/2015	Timm et al.
8,931,692 B2	1/2015	Sancak	9,014,856 B2	4/2015	Manzo et al.
8,936,614 B2	1/2015	Allen, IV	9,016,539 B2	4/2015	Kostrzewski et al.
8,939,343 B2	1/2015	Milliman et al.	9,016,540 B2	4/2015	Whitman et al.
8,939,344 B2	1/2015	Olson et al.	9,016,541 B2	4/2015	Viola et al.
8,939,898 B2	1/2015	Omoto	9,016,542 B2	4/2015	Shelton, IV et al.
8,944,069 B2	2/2015	Miller et al.	9,016,545 B2	4/2015	Aranyi et al.
8,945,095 B2	2/2015	Blumenkranz et al.	9,017,331 B2	4/2015	Fox
8,945,098 B2	2/2015	Seibold et al.	9,017,355 B2	4/2015	Smith et al.
8,945,163 B2	2/2015	Voegele et al.	9,017,369 B2	4/2015	Renger et al.
8,955,732 B2	2/2015	Zemlok et al.	9,017,371 B2	4/2015	Whitman et al.
8,956,342 B1	2/2015	Russo et al.	9,017,849 B2	4/2015	Stulen et al.
8,956,390 B2	2/2015	Shah et al.	9,017,851 B2	4/2015	Felder et al.
8,958,860 B2	2/2015	Banerjee et al.	D729,274 S	5/2015	Clement et al.
8,960,519 B2	2/2015	Whitman et al.	9,021,684 B2	5/2015	Lenker et al.
8,960,520 B2	2/2015	McCuen	9,023,014 B2	5/2015	Chowaniec et al.
8,960,521 B2	2/2015	Kostrzewski	9,023,069 B2	5/2015	Kasvikis et al.
8,961,191 B2	2/2015	Hanshew	9,023,071 B2	5/2015	Miller et al.
8,961,504 B2	2/2015	Hoarau et al.	9,026,347 B2	5/2015	Gadh et al.
8,961,542 B2	2/2015	Whitfield et al.	9,027,817 B2	5/2015	Milliman et al.
8,963,714 B2	2/2015	Medhal et al.	9,028,468 B2	5/2015	Scarfogliero et al.
D725,674 S	3/2015	Jung et al.	9,028,494 B2	5/2015	Shelton, IV et al.
8,967,443 B2	3/2015	McCuen	9,028,495 B2	5/2015	Mueller et al.
8,967,444 B2	3/2015	Beetel	9,028,510 B2	5/2015	Miyamoto et al.
8,967,446 B2	3/2015	Beardsley et al.	9,028,511 B2	5/2015	Weller et al.
8,967,448 B2	3/2015	Carter et al.	9,028,519 B2	5/2015	Yates et al.
8,968,276 B2	3/2015	Zemlok et al.	9,028,529 B2	5/2015	Fox et al.
8,968,308 B2	3/2015	Horner et al.	9,030,166 B2	5/2015	Kano
8,968,312 B2	3/2015	Marczyk et al.	9,030,169 B2	5/2015	Christensen et al.
8,968,337 B2	3/2015	Whitfield et al.	9,033,203 B2	5/2015	Woodard, Jr. et al.
			9,033,204 B2	5/2015	Shelton, IV et al.
			9,034,505 B2	5/2015	Detry et al.
			9,038,881 B1	5/2015	Schaller et al.
			9,039,690 B2	5/2015	Kersten et al.

(56)

References Cited

U.S. PATENT DOCUMENTS

9,039,694 B2	5/2015	Ross et al.	9,113,876 B2	8/2015	Zemlok et al.
9,039,720 B2	5/2015	Madan	9,113,879 B2	8/2015	Felder et al.
9,039,736 B2	5/2015	Scirica et al.	9,113,880 B2	8/2015	Zemlok et al.
9,040,062 B2	5/2015	Maeda et al.	9,113,881 B2	8/2015	Scirica
9,043,027 B2	5/2015	Durant et al.	9,113,883 B2	8/2015	Aronhalt et al.
9,044,227 B2	6/2015	Shelton, IV et al.	9,113,884 B2	8/2015	Shelton, IV et al.
9,044,228 B2	6/2015	Woodard, Jr. et al.	9,113,887 B2	8/2015	Behnke, II et al.
9,044,229 B2	6/2015	Scheib et al.	9,119,615 B2	9/2015	Felder et al.
9,044,230 B2	6/2015	Morgan et al.	9,119,657 B2	9/2015	Shelton, IV et al.
9,044,238 B2	6/2015	Orszulak	9,119,898 B2	9/2015	Bayon et al.
9,044,241 B2	6/2015	Barner et al.	9,119,957 B2	9/2015	Gantz et al.
9,044,261 B2	6/2015	Houser	9,123,286 B2	9/2015	Park
9,044,281 B2	6/2015	Pool et al.	9,124,097 B2	9/2015	Cruz
9,050,083 B2	6/2015	Yates et al.	9,125,651 B2	9/2015	Mandakolathur Vasudevan et al.
9,050,084 B2	6/2015	Schmid et al.	9,125,654 B2	9/2015	Aronhalt et al.
9,050,089 B2	6/2015	Orszulak	9,125,662 B2	9/2015	Shelton, IV
9,050,100 B2	6/2015	Yates et al.	9,126,317 B2	9/2015	Lawton et al.
9,050,120 B2	6/2015	Swarup et al.	9,131,835 B2	9/2015	Widenhouse et al.
9,050,123 B2	6/2015	Krause et al.	9,131,940 B2	9/2015	Huitema et al.
9,050,176 B2	6/2015	Datta et al.	9,131,950 B2	9/2015	Matthew
9,050,192 B2	6/2015	Mansmann	9,131,957 B2	9/2015	Skarbnik et al.
9,055,941 B2	6/2015	Schmid et al.	9,138,225 B2	9/2015	Huang et al.
9,055,942 B2	6/2015	Balbierz et al.	9,138,226 B2	9/2015	Racenet et al.
9,055,943 B2	6/2015	Zemlok et al.	9,144,455 B2	9/2015	Kennedy et al.
9,055,943 B2	6/2015	Zemlok et al.	D740,414 S	10/2015	Katsura
9,055,944 B2	6/2015	Hodgkinson et al.	D741,882 S	10/2015	Shmilov et al.
9,055,961 B2	6/2015	Manzo et al.	9,149,274 B2	10/2015	Spivey et al.
9,060,770 B2	6/2015	Shelton, IV et al.	9,149,324 B2	10/2015	Huang et al.
9,060,776 B2	6/2015	Yates et al.	9,149,325 B2	10/2015	Worrell et al.
9,060,794 B2	6/2015	Kang et al.	9,153,994 B2	10/2015	Wood et al.
9,060,894 B2	6/2015	Wubbeling	9,161,753 B2	10/2015	Prior
9,061,392 B2	6/2015	Forgues et al.	9,161,769 B2	10/2015	Stoddard et al.
9,070,068 B2	6/2015	Coveley et al.	9,161,803 B2	10/2015	Yates et al.
9,072,515 B2	7/2015	Hall et al.	9,161,807 B2	10/2015	Garrison
9,072,523 B2	7/2015	Houser et al.	9,161,855 B2	10/2015	Rousseau et al.
9,072,535 B2	7/2015	Shelton, IV et al.	9,164,271 B2	10/2015	Ebata et al.
9,072,536 B2	7/2015	Shelton, IV et al.	9,167,960 B2	10/2015	Yamaguchi et al.
9,078,653 B2	7/2015	Leimbach et al.	9,168,038 B2	10/2015	Shelton, IV et al.
9,078,654 B2	7/2015	Whitman et al.	9,168,039 B1	10/2015	Knodel
9,084,586 B2	7/2015	Hafner et al.	9,168,042 B2	10/2015	Milliman
9,084,601 B2	7/2015	Moore et al.	9,168,054 B2	10/2015	Turner et al.
9,084,602 B2	7/2015	Gleiman	9,168,144 B2	10/2015	Rivin et al.
9,086,875 B2	7/2015	Harrat et al.	9,171,244 B2	10/2015	Endou et al.
9,089,326 B2	7/2015	Krumanaker et al.	9,179,832 B2	11/2015	Diolaiti
9,089,330 B2	7/2015	Widenhouse et al.	9,179,911 B2	11/2015	Morgan et al.
9,089,338 B2	7/2015	Smith et al.	9,179,912 B2	11/2015	Yates et al.
9,089,352 B2	7/2015	Jeong	9,180,223 B2	11/2015	Yu et al.
9,089,360 B2	7/2015	Messerly et al.	9,182,244 B2	11/2015	Luke et al.
9,091,588 B2	7/2015	Lefler	9,186,046 B2	11/2015	Ramamurthy et al.
D736,792 S	8/2015	Brinda et al.	9,186,137 B2	11/2015	Farascioni et al.
9,095,339 B2	8/2015	Moore et al.	9,186,140 B2	11/2015	Hiles et al.
9,095,346 B2	8/2015	Houser et al.	9,186,142 B2	11/2015	Fanelli et al.
9,095,362 B2	8/2015	Dachs, II et al.	9,186,143 B2	11/2015	Timm et al.
9,095,367 B2	8/2015	Olson et al.	9,186,148 B2	11/2015	Felder et al.
9,095,642 B2	8/2015	Harder et al.	9,186,221 B2	11/2015	Burbank
9,096,033 B2	8/2015	Holop et al.	9,192,376 B2	11/2015	Almodovar
9,098,153 B2	8/2015	Shen et al.	9,192,380 B2	11/2015	(Tarinelli) Racenet et al.
9,099,863 B2	8/2015	Smith et al.	9,192,384 B2	11/2015	Bettuchi
9,099,877 B2	8/2015	Banos et al.	9,192,430 B2	11/2015	Rachlin et al.
9,099,922 B2	8/2015	Toosky et al.	9,192,434 B2	11/2015	Twomey et al.
9,101,358 B2	8/2015	Kerr et al.	9,193,045 B2	11/2015	Saur et al.
9,101,359 B2	8/2015	Smith et al.	9,197,079 B2	11/2015	Yip et al.
9,101,385 B2	8/2015	Shelton, IV et al.	D744,528 S	12/2015	Agrawal
9,101,475 B2	8/2015	Wei et al.	D746,459 S	12/2015	Kaercher et al.
9,101,621 B2	8/2015	Zeldis	9,198,642 B2	12/2015	Storz
9,107,663 B2	8/2015	Swensgard	9,198,644 B2	12/2015	Balek et al.
9,107,667 B2	8/2015	Hodgkinson	9,198,661 B2	12/2015	Swensgard
9,107,690 B2	8/2015	Bales, Jr. et al.	9,198,662 B2	12/2015	Barton et al.
9,110,587 B2	8/2015	Kim et al.	9,198,683 B2	12/2015	Friedman et al.
9,113,862 B2	8/2015	Morgan et al.	9,204,830 B2	12/2015	Zand et al.
9,113,864 B2	8/2015	Morgan et al.	9,204,877 B2	12/2015	Whitman et al.
9,113,865 B2	8/2015	Shelton, IV et al.	9,204,878 B2	12/2015	Hall et al.
9,113,868 B2	8/2015	Felder et al.	9,204,879 B2	12/2015	Shelton, IV
9,113,873 B2	8/2015	Marczyk et al.	9,204,880 B2	12/2015	Baxter, III et al.
9,113,874 B2	8/2015	Shelton, IV et al.	9,204,881 B2	12/2015	Penna
9,113,875 B2	8/2015	Viola et al.	9,204,923 B2	12/2015	Manzo et al.
			9,204,924 B2	12/2015	Marczyk et al.
			9,211,120 B2	12/2015	Scheib et al.
			9,211,121 B2	12/2015	Hall et al.

(56)

References Cited

U.S. PATENT DOCUMENTS

9,211,122 B2	12/2015	Hagerty et al.	9,289,225 B2	3/2016	Shelton, IV et al.
9,216,013 B2	12/2015	Scirica et al.	9,289,256 B2	3/2016	Shelton, IV et al.
9,216,019 B2	12/2015	Schmid et al.	9,293,757 B2	3/2016	Toussaint et al.
9,216,020 B2	12/2015	Zhang et al.	9,295,464 B2	3/2016	Shelton, IV et al.
9,216,030 B2	12/2015	Fan et al.	9,295,465 B2	3/2016	Farascioni
9,216,062 B2	12/2015	Duque et al.	9,295,466 B2	3/2016	Hodgkinson et al.
9,220,500 B2	12/2015	Swayze et al.	9,295,467 B2	3/2016	Scirica
9,220,501 B2	12/2015	Baxter, III et al.	9,295,468 B2	3/2016	Heinrich et al.
9,220,502 B2	12/2015	Zemlok et al.	9,295,514 B2	3/2016	Shelton, IV et al.
9,220,504 B2	12/2015	Viola et al.	9,295,522 B2	3/2016	Kostrzewski
9,220,508 B2	12/2015	Dannaher	9,295,565 B2	3/2016	McLean
9,220,559 B2	12/2015	Worrell et al.	9,295,784 B2	3/2016	Eggert et al.
9,220,570 B2	12/2015	Kim et al.	D753,167 S	4/2016	Yu et al.
D746,854 S	1/2016	Shardlow et al.	9,301,691 B2	4/2016	Hufnagel et al.
9,226,750 B2	1/2016	Weir et al.	9,301,752 B2	4/2016	Mandakolathur Vasudevan et al.
9,226,751 B2	1/2016	Shelton, IV et al.	9,301,753 B2	4/2016	Aldridge et al.
9,226,754 B2	1/2016	D'Agostino et al.	9,301,755 B2	4/2016	Shelton, IV et al.
9,226,760 B2	1/2016	Shelton, IV	9,301,759 B2	4/2016	Spivey et al.
9,226,761 B2	1/2016	Burbank	9,301,811 B2	4/2016	Goldberg et al.
9,226,767 B2	1/2016	Stulen et al.	9,307,965 B2	4/2016	Ming et al.
9,226,799 B2	1/2016	Lightcap et al.	9,307,986 B2	4/2016	Hall et al.
9,232,941 B2	1/2016	Mandakolathur Vasudevan et al.	9,307,987 B2	4/2016	Swensgard et al.
9,232,945 B2	1/2016	Zingman	9,307,988 B2	4/2016	Shelton, IV
9,232,979 B2	1/2016	Parihar et al.	9,307,989 B2	4/2016	Shelton, IV et al.
9,233,610 B2	1/2016	Kim et al.	9,307,994 B2	4/2016	Gresham et al.
9,237,891 B2	1/2016	Shelton, IV	9,308,009 B2	4/2016	Madan et al.
9,237,892 B2	1/2016	Hodgkinson	9,308,011 B2	4/2016	Chao et al.
9,237,895 B2	1/2016	McCarthy et al.	9,308,646 B2	4/2016	Lim et al.
9,237,900 B2	1/2016	Boudreaux et al.	9,313,915 B2	4/2016	Niu et al.
9,237,921 B2	1/2016	Messerly et al.	9,314,246 B2	4/2016	Shelton, IV et al.
9,239,064 B2	1/2016	Helbig et al.	9,314,247 B2	4/2016	Shelton, IV et al.
9,240,740 B2	1/2016	Zeng et al.	9,314,261 B2	4/2016	Bales, Jr. et al.
9,241,711 B2	1/2016	Ivanko	9,314,291 B2	4/2016	Schall et al.
9,241,712 B2	1/2016	Zemlok et al.	9,314,339 B2	4/2016	Mansmann
9,241,714 B2	1/2016	Timm et al.	9,314,908 B2	4/2016	Tanimoto et al.
9,241,716 B2	1/2016	Whitman	9,320,518 B2	4/2016	Henderson et al.
9,241,731 B2	1/2016	Boudreaux et al.	9,320,520 B2	4/2016	Shelton, IV et al.
9,241,758 B2	1/2016	Franer et al.	9,320,521 B2	4/2016	Shelton, IV et al.
9,244,524 B2	1/2016	Inoue et al.	9,320,523 B2	4/2016	Shelton, IV et al.
D748,668 S	2/2016	Kim et al.	9,325,516 B2	4/2016	Pera et al.
D749,128 S	2/2016	Perez et al.	D755,196 S	5/2016	Meyers et al.
D749,623 S	2/2016	Gray et al.	D756,373 S	5/2016	Raskin et al.
D750,122 S	2/2016	Shardlow et al.	D756,377 S	5/2016	Connolly et al.
D750,129 S	2/2016	Kwon	D757,028 S	5/2016	Goldenberg et al.
9,254,131 B2	2/2016	Soltz et al.	9,326,767 B2	5/2016	Koch et al.
9,254,170 B2	2/2016	Parihar et al.	9,326,768 B2	5/2016	Shelton, IV
9,259,265 B2	2/2016	Harris et al.	9,326,769 B2	5/2016	Shelton, IV et al.
9,259,274 B2	2/2016	Prisco	9,326,770 B2	5/2016	Shelton, IV et al.
9,259,275 B2	2/2016	Burbank	9,326,771 B2	5/2016	Baxter, III et al.
9,261,172 B2	2/2016	Solomon et al.	9,326,788 B2	5/2016	Batross et al.
9,265,500 B2	2/2016	Sorrentino et al.	9,326,812 B2	5/2016	Waler et al.
9,265,510 B2	2/2016	Dietzel et al.	9,326,824 B2	5/2016	Inoue et al.
9,265,516 B2	2/2016	Casey et al.	9,327,061 B2	5/2016	Govil et al.
9,265,585 B2	2/2016	Wingardner et al.	9,331,721 B2	5/2016	Martinez Nuevo et al.
9,271,718 B2	3/2016	Milad et al.	9,332,890 B2	5/2016	Ozawa
9,271,727 B2	3/2016	McGuckin, Jr. et al.	9,332,974 B2	5/2016	Henderson et al.
9,271,753 B2	3/2016	Butler et al.	9,332,984 B2	5/2016	Weaner et al.
9,271,799 B2	3/2016	Shelton, IV et al.	9,332,987 B2	5/2016	Leimbach et al.
9,272,406 B2	3/2016	Aronhalt et al.	9,333,040 B2	5/2016	Shellenberger et al.
9,274,095 B2	3/2016	Humayun et al.	9,333,082 B2	5/2016	Wei et al.
9,277,919 B2	3/2016	Timmer et al.	9,337,668 B2	5/2016	Yip
9,277,922 B2	3/2016	Carter et al.	9,339,226 B2	5/2016	van der Walt et al.
9,277,969 B2	3/2016	Brannan et al.	9,339,342 B2	5/2016	Prisco et al.
9,282,962 B2	3/2016	Schmid et al.	9,345,477 B2	5/2016	Anim et al.
9,282,963 B2	3/2016	Bryant	9,345,479 B2	5/2016	(Tarinelli) Racenet et al.
9,282,966 B2	3/2016	Shelton, IV et al.	9,345,480 B2	5/2016	Hessler et al.
9,282,974 B2	3/2016	Shelton, IV	9,345,481 B2	5/2016	Hall et al.
9,283,028 B2	3/2016	Johnson	9,345,503 B2	5/2016	Ishida et al.
9,283,045 B2	3/2016	Rhee et al.	9,351,726 B2	5/2016	Leimbach et al.
9,283,054 B2	3/2016	Morgan et al.	9,351,727 B2	5/2016	Leimbach et al.
9,289,206 B2	3/2016	Hess et al.	9,351,728 B2	5/2016	Sniffin et al.
9,289,207 B2	3/2016	Shelton, IV	9,351,730 B2	5/2016	Schmid et al.
9,289,210 B2	3/2016	Baxter, III et al.	9,351,731 B2	5/2016	Carter et al.
9,289,211 B2	3/2016	Williams et al.	9,351,732 B2	5/2016	Hodgkinson
9,289,212 B2	3/2016	Shelton, IV et al.	9,352,071 B2	5/2016	Landgrebe et al.
			D758,433 S	6/2016	Lee et al.
			D759,063 S	6/2016	Chen
			9,358,003 B2	6/2016	Hall et al.
			9,358,004 B2	6/2016	Sniffin et al.

(56)

References Cited

U.S. PATENT DOCUMENTS

9,358,005 B2	6/2016	Shelton, IV et al.	9,433,411 B2	9/2016	Racenet et al.
9,358,015 B2	6/2016	Sorrentino et al.	9,433,414 B2	9/2016	Chen et al.
9,358,031 B2	6/2016	Manzo	9,433,419 B2	9/2016	Gonzalez et al.
9,358,065 B2	6/2016	Ladtkow et al.	9,433,420 B2	9/2016	Hodgkinson
9,364,217 B2	6/2016	Kostrzewski et al.	9,439,649 B2	9/2016	Shelton, IV et al.
9,364,219 B2	6/2016	Olson et al.	9,439,650 B2	9/2016	McGuckin, Jr. et al.
9,364,220 B2	6/2016	Williams	9,439,651 B2	9/2016	Smith et al.
9,364,223 B2	6/2016	Scirica	9,439,668 B2	9/2016	Timm et al.
9,364,226 B2	6/2016	Zemlok et al.	9,445,808 B2	9/2016	Woodard, Jr. et al.
9,364,228 B2	6/2016	Straehnz et al.	9,445,813 B2	9/2016	Shelton, IV et al.
9,364,229 B2	6/2016	D'Agostino et al.	9,445,816 B2	9/2016	Swayze et al.
9,364,230 B2	6/2016	Shelton, IV et al.	9,445,817 B2	9/2016	Bettuchi
9,364,231 B2	6/2016	Wenchell	9,446,226 B2	9/2016	Zilberman
9,364,233 B2	6/2016	Alexander, III et al.	9,451,938 B2	9/2016	Overes et al.
9,364,279 B2	6/2016	Houser et al.	9,451,958 B2	9/2016	Shelton, IV et al.
9,368,991 B2	6/2016	Qahouq	9,452,020 B2	9/2016	Griffiths et al.
9,370,341 B2	6/2016	Ceniccola et al.	D768,152 S	10/2016	Gutierrez et al.
9,370,358 B2	6/2016	Shelton, IV et al.	D768,156 S	10/2016	Frincke
9,370,361 B2	6/2016	Viola et al.	D768,167 S	10/2016	Jones et al.
9,370,362 B2	6/2016	Petty et al.	D769,315 S	10/2016	Scotti
9,370,364 B2	6/2016	Smith et al.	D769,930 S	10/2016	Agrawal
9,370,400 B2	6/2016	Parihar	9,461,340 B2	10/2016	Li et al.
9,375,206 B2	6/2016	Vidal et al.	9,463,012 B2	10/2016	Bonutti et al.
9,375,218 B2	6/2016	Wheeler et al.	9,463,040 B2	10/2016	Jeong et al.
9,375,230 B2	6/2016	Ross et al.	9,463,260 B2	10/2016	Stopek
9,375,232 B2	6/2016	Hunt et al.	9,468,438 B2	10/2016	Baber et al.
9,375,255 B2	6/2016	Houser et al.	9,468,447 B2	10/2016	Aman et al.
D761,309 S	7/2016	Lee et al.	9,470,297 B2	10/2016	Aranyi et al.
9,381,058 B2	7/2016	Houser et al.	9,471,969 B2	10/2016	Zeng et al.
9,383,881 B2	7/2016	Day et al.	9,474,506 B2	10/2016	Magnin et al.
9,385,640 B2	7/2016	Sun et al.	9,474,513 B2	10/2016	Ishida et al.
9,386,983 B2	7/2016	Swensgard et al.	9,474,523 B2	10/2016	Meade et al.
9,386,984 B2	7/2016	Aronhalt et al.	9,474,540 B2	10/2016	Stokes et al.
9,386,985 B2	7/2016	Koch, Jr. et al.	9,475,180 B2	10/2016	Eshleman et al.
9,386,988 B2	7/2016	Baxter, III et al.	D770,476 S	11/2016	Jitkoff et al.
9,387,003 B2	7/2016	Kaercher et al.	D770,515 S	11/2016	Cho et al.
9,392,885 B2	7/2016	Vogler et al.	D771,116 S	11/2016	Dellinger et al.
9,393,015 B2	7/2016	Laurent et al.	D772,905 S	11/2016	Ingenlath
9,393,017 B2	7/2016	Flanagan et al.	9,480,476 B2	11/2016	Aldridge et al.
9,393,018 B2	7/2016	Wang et al.	9,480,492 B2	11/2016	Aranyi et al.
9,393,354 B2	7/2016	Freedman et al.	9,483,095 B2	11/2016	Tran et al.
9,396,369 B1	7/2016	Whitehurst et al.	9,486,186 B2	11/2016	Fiebig et al.
9,396,669 B2	7/2016	Karkanias et al.	9,486,213 B2	11/2016	Altman et al.
9,398,905 B2	7/2016	Martin	9,486,214 B2	11/2016	Shelton, IV
9,398,911 B2	7/2016	Auld	9,486,215 B2	11/2016	Olson et al.
D763,277 S	8/2016	Ahmed et al.	9,486,302 B2	11/2016	Boey et al.
D764,498 S	8/2016	Capela et al.	9,488,197 B2	11/2016	Wi
9,402,604 B2	8/2016	Williams et al.	9,492,146 B2	11/2016	Kostrzewski et al.
9,402,625 B2	8/2016	Coleman et al.	9,492,167 B2	11/2016	Shelton, IV et al.
9,402,626 B2	8/2016	Ortiz et al.	9,492,170 B2	11/2016	Bear et al.
9,402,627 B2	8/2016	Stevenson et al.	9,492,172 B2	11/2016	Weisshaupt et al.
9,402,629 B2	8/2016	Ehrenfels et al.	9,492,189 B2	11/2016	Williams et al.
9,402,679 B2	8/2016	Ginnebaugh et al.	9,492,192 B2	11/2016	To et al.
9,402,682 B2	8/2016	Worrell et al.	9,492,237 B2	11/2016	Kang et al.
9,402,688 B2	8/2016	Min et al.	9,498,213 B2	11/2016	Marczyk et al.
9,408,604 B2	8/2016	Shelton, IV et al.	9,498,219 B2	11/2016	Moore et al.
9,408,605 B1	8/2016	Knodel et al.	9,498,231 B2	11/2016	Haider et al.
9,408,606 B2	8/2016	Shelton, IV	9,504,455 B2	11/2016	Whitman et al.
9,408,622 B2	8/2016	Stulen et al.	9,504,483 B2	11/2016	Houser et al.
9,411,370 B2	8/2016	Benni et al.	9,504,520 B2	11/2016	Worrell et al.
9,413,128 B2	8/2016	Tien et al.	9,504,521 B2	11/2016	Deutmeyer et al.
9,414,838 B2	8/2016	Shelton, IV et al.	9,504,528 B2	11/2016	Ivinson et al.
9,414,849 B2	8/2016	Nagashimada	9,507,399 B2	11/2016	Chien
9,414,880 B2	8/2016	Monson et al.	D774,547 S	12/2016	Capela et al.
9,420,967 B2	8/2016	Zand et al.	D775,336 S	12/2016	Shelton, IV et al.
9,421,003 B2	8/2016	Williams et al.	9,510,827 B2	12/2016	Kostrzewski
9,421,014 B2	8/2016	Ingmanson et al.	9,510,828 B2	12/2016	Yates et al.
9,421,030 B2	8/2016	Cole et al.	9,510,830 B2	12/2016	Shelton, IV et al.
9,421,060 B2	8/2016	Monson et al.	9,510,846 B2	12/2016	Sholev et al.
9,421,062 B2	8/2016	Houser et al.	9,510,895 B2	12/2016	Houser et al.
9,421,682 B2	8/2016	McClaskey et al.	9,510,925 B2	12/2016	Hotter et al.
9,427,223 B2	8/2016	Park et al.	9,517,063 B2	12/2016	Swayze et al.
9,427,231 B2	8/2016	Racenet et al.	9,517,065 B2	12/2016	Simms et al.
9,429,204 B2	8/2016	Stefan et al.	9,517,068 B2	12/2016	Shelton, IV et al.
D767,624 S	9/2016	Lee et al.	9,517,326 B2	12/2016	Hinman et al.
			9,521,996 B2	12/2016	Armstrong
			9,522,003 B2	12/2016	Weir et al.
			9,522,014 B2	12/2016	Nishizawa et al.
			9,522,029 B2	12/2016	Yates et al.

(56)

References Cited

U.S. PATENT DOCUMENTS

9,526,481 B2	12/2016	Storz et al.	9,615,826 B2	4/2017	Shelton, IV et al.
9,526,499 B2	12/2016	Kostrzewski et al.	9,622,745 B2	4/2017	Ingmanson et al.
9,526,563 B2	12/2016	Twomey	9,622,746 B2	4/2017	Simms et al.
9,526,564 B2	12/2016	Rusin	9,629,623 B2	4/2017	Lytle, IV et al.
9,526,921 B2	12/2016	Kimball et al.	9,629,626 B2	4/2017	Soltz et al.
D776,683 S	1/2017	Gobinski et al.	9,629,627 B2	4/2017	Kostrzewski et al.
D777,773 S	1/2017	Shi	9,629,628 B2	4/2017	Aranyi
9,532,783 B2	1/2017	Swayze et al.	9,629,629 B2	4/2017	Leimbach et al.
9,539,060 B2	1/2017	Lightcap et al.	9,629,631 B2	4/2017	Nicholas et al.
9,539,726 B2	1/2017	Simaan et al.	9,629,632 B2	4/2017	Linder et al.
9,545,253 B2	1/2017	Worrell et al.	9,629,652 B2	4/2017	Mumaw et al.
9,545,258 B2	1/2017	Smith et al.	9,629,814 B2	4/2017	Widenhouse et al.
9,549,732 B2	1/2017	Yates et al.	D785,794 S	5/2017	Magno, Jr.
9,549,733 B2	1/2017	Knodel	D786,280 S	5/2017	Ma
9,549,735 B2	1/2017	Shelton, IV et al.	D786,896 S	5/2017	Kim et al.
9,549,750 B2	1/2017	Shelton, IV et al.	D787,547 S	5/2017	Basargin et al.
9,554,794 B2	1/2017	Baber et al.	D788,123 S	5/2017	Shan et al.
9,554,796 B2	1/2017	Kostrzewski	D788,140 S	5/2017	Hemsley et al.
9,554,803 B2	1/2017	Smith et al.	9,636,091 B2	5/2017	Beardsley et al.
9,554,812 B2	1/2017	Inkpen et al.	9,636,111 B2	5/2017	Wenchell
9,554,854 B2	1/2017	Yates et al.	9,636,112 B2	5/2017	Penna et al.
9,559,624 B2	1/2017	Philipp	9,636,113 B2	5/2017	Wenchell
9,561,013 B2	2/2017	Tsuchiya	9,636,850 B2	5/2017	Stopek (nee Prommersberger) et al.
9,561,029 B2	2/2017	Scheib et al.	9,641,122 B2	5/2017	Romanowich et al.
9,561,030 B2	2/2017	Zhang et al.	9,642,620 B2	5/2017	Baxter, III et al.
9,561,031 B2	2/2017	Heinrich et al.	9,642,642 B2	5/2017	Lim
9,561,032 B2	2/2017	Shelton, IV et al.	9,649,096 B2	5/2017	Sholev
9,561,038 B2	2/2017	Shelton, IV et al.	9,649,110 B2	5/2017	Parihar et al.
9,561,045 B2	2/2017	Hinman et al.	9,649,111 B2	5/2017	Shelton, IV et al.
9,561,072 B2	2/2017	Ko	9,649,190 B2	5/2017	Mathies
9,566,061 B2	2/2017	Aronhalt et al.	9,655,613 B2	5/2017	Schaller
9,566,062 B2	2/2017	Boudreaux	9,655,614 B2	5/2017	Swensgard et al.
9,566,064 B2	2/2017	Williams et al.	9,655,615 B2	5/2017	Knodel et al.
9,566,065 B2	2/2017	Knodel	9,655,616 B2	5/2017	Aranyi
9,566,067 B2	2/2017	Milliman et al.	9,655,624 B2	5/2017	Shelton, IV et al.
9,572,574 B2	2/2017	Shelton, IV et al.	9,661,991 B2	5/2017	Glossop
9,572,576 B2	2/2017	Hodgkinson et al.	9,662,108 B2	5/2017	Williams
9,572,577 B2	2/2017	Lloyd et al.	9,662,110 B2	5/2017	Huang et al.
9,572,592 B2	2/2017	Price et al.	9,662,111 B2	5/2017	Holsten et al.
9,574,644 B2	2/2017	Parihar	9,662,116 B2	5/2017	Smith et al.
9,579,088 B2	2/2017	Farritor et al.	9,662,131 B2	5/2017	Omori et al.
9,579,143 B2	2/2017	Ullrich et al.	D788,792 S	6/2017	Alessandri et al.
9,579,158 B2	2/2017	Brianza et al.	D789,384 S	6/2017	Lin et al.
D780,803 S	3/2017	Gill et al.	D790,570 S	6/2017	Butcher et al.
D781,879 S	3/2017	Butcher et al.	9,668,728 B2	6/2017	Williams et al.
D782,530 S	3/2017	Paek et al.	9,668,729 B2	6/2017	Williams et al.
9,585,550 B2	3/2017	Abel et al.	9,668,732 B2	6/2017	Patel et al.
9,585,657 B2	3/2017	Shelton, IV et al.	9,668,733 B2	6/2017	Williams
9,585,658 B2	3/2017	Shelton, IV	9,668,734 B2	6/2017	Kostrzewski et al.
9,585,659 B2	3/2017	Viola et al.	9,668,735 B2	6/2017	Beetel
9,585,660 B2	3/2017	Laurent et al.	9,675,344 B2	6/2017	Combrowski et al.
9,585,662 B2	3/2017	Shelton, IV et al.	9,675,348 B2	6/2017	Smith et al.
9,585,663 B2	3/2017	Shelton, IV et al.	9,675,351 B2	6/2017	Hodgkinson et al.
9,585,672 B2	3/2017	Bastia	9,675,354 B2	6/2017	Weir et al.
9,590,433 B2	3/2017	Li	9,675,355 B2	6/2017	Shelton, IV et al.
9,592,050 B2	3/2017	Schmid et al.	9,675,368 B2	6/2017	Guo et al.
9,592,052 B2	3/2017	Shelton, IV	9,675,372 B2	6/2017	Laurent et al.
9,592,053 B2	3/2017	Shelton, IV et al.	9,675,375 B2	6/2017	Houser et al.
9,592,054 B2	3/2017	Schmid et al.	9,675,405 B2	6/2017	Trees et al.
9,597,073 B2	3/2017	Sorrentino et al.	9,675,819 B2	6/2017	Dunbar et al.
9,597,075 B2	3/2017	Shelton, IV et al.	9,681,870 B2	6/2017	Baxter, III et al.
9,597,078 B2	3/2017	Scirica et al.	9,681,873 B2	6/2017	Smith et al.
9,597,080 B2	3/2017	Milliman et al.	9,681,884 B2	6/2017	Clem et al.
9,597,104 B2	3/2017	Nicholas et al.	9,687,230 B2	6/2017	Leimbach et al.
9,597,143 B2	3/2017	Madan et al.	9,687,231 B2	6/2017	Baxter, III et al.
9,603,595 B2	3/2017	Shelton, IV et al.	9,687,232 B2 *	6/2017	Shelton, IV A61B 17/07207
9,603,598 B2	3/2017	Shelton, IV et al.	9,687,233 B2	6/2017	Fernandez et al.
9,603,599 B2	3/2017	Miller et al.	9,687,236 B2	6/2017	Leimbach et al.
9,603,991 B2	3/2017	Shelton, IV et al.	9,687,237 B2	6/2017	Schmid et al.
D783,658 S	4/2017	Hurst et al.	9,687,253 B2	6/2017	Detry et al.
9,610,068 B2	4/2017	Kappel et al.	9,689,466 B2	6/2017	Kanai et al.
9,610,079 B2	4/2017	Kamei et al.	9,690,362 B2	6/2017	Leimbach et al.
9,610,080 B2	4/2017	Whitfield et al.	9,693,772 B2	7/2017	Ingmanson et al.
9,610,412 B2	4/2017	Zemlok et al.	9,693,774 B2	7/2017	Gettinger et al.
9,614,258 B2	4/2017	Takahashi et al.	9,693,775 B2	7/2017	Agarwal et al.
			9,693,777 B2	7/2017	Schellin et al.
			9,700,309 B2	7/2017	Jaworek et al.
			9,700,310 B2	7/2017	Morgan et al.

(56)

References Cited

U.S. PATENT DOCUMENTS

9,700,312 B2	7/2017	Kostrzewski et al.	9,775,608 B2	10/2017	Aronhalt et al.
9,700,314 B2	7/2017	Marczyk	9,775,609 B2	10/2017	Shelton, IV et al.
9,700,315 B2	7/2017	Chen et al.	9,775,610 B2	10/2017	Nicholas et al.
9,700,317 B2	7/2017	Aronhalt et al.	9,775,611 B2	10/2017	Kostrzewski
9,700,318 B2	7/2017	Scirica et al.	9,775,613 B2	10/2017	Shelton, IV et al.
9,700,319 B2	7/2017	Motooka et al.	9,775,614 B2	10/2017	Shelton, IV et al.
9,700,320 B2	7/2017	Dinardo et al.	9,775,618 B2	10/2017	Bettuchi et al.
9,700,321 B2	7/2017	Shelton, IV et al.	9,775,635 B2	10/2017	Takei
9,700,334 B2	7/2017	Hinman et al.	9,775,678 B2	10/2017	Lohmeier
9,702,823 B2	7/2017	Maher et al.	9,782,169 B2	10/2017	Kimsey et al.
9,706,674 B2	7/2017	Collins et al.	9,782,170 B2	10/2017	Zemlok et al.
9,706,981 B2	7/2017	Nicholas et al.	9,782,180 B2	10/2017	Smith et al.
9,706,991 B2	7/2017	Hess et al.	9,782,187 B2	10/2017	Zergiebel et al.
9,706,993 B2	7/2017	Hessler et al.	9,782,193 B2	10/2017	Thistle
9,707,003 B2	7/2017	Hoell, Jr. et al.	9,782,214 B2	10/2017	Houser et al.
9,707,005 B2	7/2017	Strobl et al.	9,788,834 B2	10/2017	Schmid et al.
9,707,026 B2	7/2017	Malackowski et al.	9,788,835 B2	10/2017	Morgan et al.
9,707,033 B2	7/2017	Parihar et al.	9,788,836 B2	10/2017	Overmyer et al.
9,707,043 B2	7/2017	Bozung	9,788,847 B2	10/2017	Jinno
9,707,684 B2	7/2017	Ruiz Morales et al.	9,788,851 B2	10/2017	Dannaher et al.
9,713,468 B2	7/2017	Harris et al.	9,788,902 B2	10/2017	Inoue et al.
9,713,470 B2	7/2017	Scirica et al.	9,795,379 B2	10/2017	Leimbach et al.
9,713,474 B2	7/2017	Lorenz	9,795,380 B2	10/2017	Shelton, IV et al.
D795,919 S	8/2017	Bischoff et al.	9,795,381 B2	10/2017	Shelton, IV
9,717,497 B2	8/2017	Zerkle et al.	9,795,382 B2	10/2017	Shelton, IV
9,717,498 B2	8/2017	Aranyi et al.	9,795,383 B2	10/2017	Aldridge et al.
9,718,190 B2	8/2017	Larkin et al.	9,795,384 B2	10/2017	Weaner et al.
9,722,236 B2	8/2017	Sathrum	9,797,486 B2	10/2017	Zergiebel et al.
9,724,091 B2	8/2017	Shelton, IV et al.	9,801,626 B2	10/2017	Parihar et al.
9,724,092 B2	8/2017	Baxter, III et al.	9,801,627 B2	10/2017	Harris et al.
9,724,094 B2	8/2017	Baber et al.	9,801,628 B2	10/2017	Harris et al.
9,724,095 B2	8/2017	Gupta et al.	9,801,634 B2	10/2017	Shelton, IV et al.
9,724,096 B2	8/2017	Thompson et al.	9,802,033 B2	10/2017	Hibner et al.
9,724,098 B2	8/2017	Baxter, III et al.	9,804,618 B2	10/2017	Leimbach et al.
9,724,118 B2	8/2017	Schulte et al.	D803,234 S	11/2017	Day et al.
9,724,163 B2	8/2017	Orban	D803,235 S	11/2017	Markson et al.
9,730,692 B2	8/2017	Shelton, IV et al.	D803,850 S	11/2017	Chang et al.
9,730,695 B2	8/2017	Leimbach et al.	9,808,244 B2	11/2017	Leimbach et al.
9,730,697 B2	8/2017	Morgan et al.	9,808,246 B2	11/2017	Shelton, IV et al.
9,730,717 B2	8/2017	Katsuki et al.	9,808,247 B2	11/2017	Shelton, IV et al.
9,730,757 B2	8/2017	Brudniok	9,808,248 B2	11/2017	Hoffman
9,731,410 B2	8/2017	Hirabayashi et al.	9,808,249 B2	11/2017	Shelton, IV
9,733,663 B2	8/2017	Leimbach et al.	9,814,460 B2	11/2017	Kimsey et al.
9,737,297 B2	8/2017	Racenet et al.	9,814,462 B2	11/2017	Woodard, Jr. et al.
9,737,298 B2	8/2017	Isbell, Jr.	9,814,463 B2	11/2017	Williams et al.
9,737,299 B2	8/2017	Yan	9,814,530 B2	11/2017	Weir et al.
9,737,301 B2	8/2017	Baber et al.	9,814,561 B2	11/2017	Forsell
9,737,302 B2	8/2017	Shelton, IV et al.	9,815,118 B1	11/2017	Schmitt et al.
9,737,303 B2	8/2017	Shelton, IV et al.	9,820,445 B2	11/2017	Simpson et al.
9,737,365 B2	8/2017	Hegeman et al.	9,820,737 B2	11/2017	Beardsley et al.
9,743,927 B2	8/2017	Whitman	9,820,738 B2	11/2017	Lytte, IV et al.
9,743,928 B2	8/2017	Shelton, IV et al.	9,820,741 B2	11/2017	Kostrzewski
9,743,929 B2	8/2017	Leimbach et al.	9,820,768 B2	11/2017	Gee et al.
D798,319 S	9/2017	Bergstrand et al.	9,825,455 B2	11/2017	Sandhu et al.
9,750,498 B2	9/2017	Timm et al.	9,826,976 B2	11/2017	Parihar et al.
9,750,499 B2	9/2017	Leimbach et al.	9,826,977 B2	11/2017	Leimbach et al.
9,750,501 B2	9/2017	Shelton, IV et al.	9,826,978 B2	11/2017	Shelton, IV et al.
9,750,502 B2	9/2017	Scirica et al.	9,829,698 B2	11/2017	Haraguchi et al.
9,750,503 B2	9/2017	Milliman	D806,108 S	12/2017	Day
9,750,639 B2	9/2017	Barnes et al.	9,833,235 B2	12/2017	Penna et al.
9,757,123 B2	9/2017	Giordano et al.	9,833,236 B2	12/2017	Shelton, IV et al.
9,757,124 B2	9/2017	Schellin et al.	9,833,238 B2	12/2017	Baxter, III et al.
9,757,126 B2	9/2017	Cappola	9,833,239 B2	12/2017	Yates et al.
9,757,128 B2	9/2017	Baber et al.	9,833,241 B2	12/2017	Huitema et al.
9,757,129 B2	9/2017	Williams	9,833,242 B2	12/2017	Baxter, III et al.
9,757,130 B2	9/2017	Shelton, IV	9,839,420 B2	12/2017	Shelton, IV et al.
9,763,662 B2	9/2017	Shelton, IV et al.	9,839,421 B2	12/2017	Zerkle et al.
9,763,668 B2	9/2017	Whitfield et al.	9,839,422 B2	12/2017	Schellin et al.
9,770,245 B2	9/2017	Swayze et al.	9,839,423 B2	12/2017	Vendely et al.
9,770,274 B2	9/2017	Pool et al.	9,839,427 B2	12/2017	Swayze et al.
D798,886 S	10/2017	Prophete et al.	9,839,428 B2	12/2017	Baxter, III et al.
D800,742 S	10/2017	Rhodes	9,839,429 B2	12/2017	Weisenburgh, II et al.
D800,744 S	10/2017	Jitkoff et al.	9,839,480 B2	12/2017	Pribanic et al.
D800,766 S	10/2017	Park et al.	9,839,481 B2	12/2017	Blumenkranz et al.
D800,904 S *	10/2017	Leimbach D24/145	9,844,368 B2	12/2017	Boudreaux et al.
			9,844,369 B2	12/2017	Huitema et al.
			9,844,372 B2	12/2017	Shelton, IV et al.
			9,844,373 B2	12/2017	Swayze et al.
			9,844,374 B2	12/2017	Lytte, IV et al.

(56)

References Cited

U.S. PATENT DOCUMENTS

9,844,375 B2	12/2017	Overmyer et al.	9,924,941 B2	3/2018	Burbank
9,844,376 B2	12/2017	Baxter, III et al.	9,924,942 B2	3/2018	Swayze et al.
9,844,379 B2	12/2017	Shelton, IV et al.	9,924,943 B2	3/2018	Mohan Pinjala et al.
9,848,871 B2	12/2017	Harris et al.	9,924,944 B2	3/2018	Shelton, IV et al.
9,848,873 B2	12/2017	Shelton, IV	9,924,945 B2	3/2018	Zheng et al.
9,848,875 B2	12/2017	Aronhalt et al.	9,924,946 B2	3/2018	Vendely et al.
9,848,877 B2	12/2017	Shelton, IV et al.	9,924,947 B2	3/2018	Shelton, IV et al.
9,850,994 B2	12/2017	Schena	9,924,961 B2	3/2018	Shelton, IV et al.
D808,989 S	1/2018	Ayvazian et al.	9,931,106 B2	4/2018	Au et al.
9,855,039 B2	1/2018	Racenet et al.	9,931,116 B2	4/2018	Racenet et al.
9,855,040 B2	1/2018	Kostrzewski	9,931,117 B2	4/2018	Hathaway et al.
9,855,662 B2	1/2018	Ruiz Morales et al.	9,931,118 B2	4/2018	Shelton, IV et al.
9,861,261 B2	1/2018	Shahinian	9,931,120 B2	4/2018	Chen et al.
9,861,359 B2	1/2018	Shelton, IV et al.	9,936,949 B2	4/2018	Measamer et al.
9,861,361 B2	1/2018	Aronhalt et al.	9,936,950 B2	4/2018	Shelton, IV et al.
9,861,362 B2	1/2018	Whitman et al.	9,936,951 B2	4/2018	Hufnagel et al.
9,861,366 B2	1/2018	Aranyi	9,936,952 B2	4/2018	Demmy
9,861,382 B2	1/2018	Smith et al.	9,936,954 B2	4/2018	Shelton, IV et al.
9,861,446 B2	1/2018	Lang	9,937,626 B2	4/2018	Rockrohr
9,867,612 B2	1/2018	Parihar et al.	9,943,309 B2	4/2018	Shelton, IV et al.
9,867,613 B2	1/2018	Marczyk et al.	9,943,310 B2	4/2018	Harris et al.
9,867,615 B2	1/2018	Fanelli et al.	9,943,312 B2	4/2018	Posada et al.
9,867,617 B2	1/2018	Ma	9,949,754 B2	4/2018	Newhauser et al.
9,867,618 B2	1/2018	Hall et al.	9,953,193 B2	4/2018	Butler et al.
9,867,620 B2	1/2018	Fischvogt et al.	D819,072 S	5/2018	Clediere
9,868,198 B2	1/2018	Nicholas et al.	9,955,954 B2	5/2018	Destoumieux et al.
9,872,682 B2	1/2018	Hess et al.	9,955,965 B2	5/2018	Chen et al.
9,872,683 B2	1/2018	Hopkins et al.	9,955,966 B2	5/2018	Zergiebel
9,872,684 B2	1/2018	Hall et al.	9,956,677 B2	5/2018	Baskar et al.
9,872,722 B2	1/2018	Lech	9,962,129 B2	5/2018	Jerebko et al.
9,877,721 B2	1/2018	Schellin et al.	9,962,157 B2	5/2018	Sapre
9,877,722 B2	1/2018	Schellin et al.	9,962,158 B2	5/2018	Hall et al.
9,877,723 B2	1/2018	Hall et al.	9,962,159 B2	5/2018	Heinrich et al.
9,877,776 B2	1/2018	Boudreaux	9,962,161 B2	5/2018	Scheib et al.
D810,099 S	2/2018	Riedel	9,968,354 B2	5/2018	Shelton, IV et al.
9,883,843 B2	2/2018	Garlow	9,968,355 B2	5/2018	Shelton, IV et al.
9,883,860 B2	2/2018	Leimbach	9,968,356 B2	5/2018	Shelton, IV et al.
9,883,861 B2	2/2018	Shelton, IV et al.	9,968,397 B2	5/2018	Taylor et al.
9,884,456 B2	2/2018	Schellin et al.	9,974,529 B2	5/2018	Shelton, IV et al.
9,888,914 B2	2/2018	Martin et al.	9,974,538 B2	5/2018	Baxter, III et al.
9,888,919 B2	2/2018	Leimbach et al.	9,974,539 B2	5/2018	Yates et al.
9,888,921 B2	2/2018	Williams et al.	9,974,541 B2	5/2018	Calderoni
9,888,924 B2	2/2018	Ebersole et al.	9,974,542 B2	5/2018	Hodgkinson
9,889,230 B2	2/2018	Bennett et al.	9,980,713 B2	5/2018	Aronhalt et al.
9,895,147 B2	2/2018	Shelton, IV	9,980,724 B2	5/2018	Farascioni et al.
9,895,148 B2	2/2018	Shelton, IV et al.	9,980,729 B2	5/2018	Moore et al.
9,895,813 B2	2/2018	Blumenkranz et al.	9,980,769 B2	5/2018	Trees et al.
9,901,339 B2	2/2018	Farascioni	D819,680 S	6/2018	Nguyen
9,901,341 B2	2/2018	Kostrzewski	D819,682 S	6/2018	Howard et al.
9,901,342 B2	2/2018	Shelton, IV et al.	D819,684 S	6/2018	Dart
9,901,344 B2	2/2018	Moore et al.	D820,307 S	6/2018	Jian et al.
9,901,345 B2	2/2018	Moore et al.	D820,867 S	6/2018	Dickens et al.
9,901,346 B2	2/2018	Moore et al.	9,987,000 B2	6/2018	Shelton, IV et al.
9,901,406 B2	2/2018	State et al.	9,987,003 B2	6/2018	Timm et al.
9,901,412 B2	2/2018	Lathrop et al.	9,987,006 B2	6/2018	Morgan et al.
D813,899 S	3/2018	Erant et al.	9,987,008 B2	6/2018	Scirica et al.
9,907,456 B2	3/2018	Miyoshi	9,987,095 B2	6/2018	Chowaniec et al.
9,907,552 B2	3/2018	Measamer et al.	9,987,097 B2	6/2018	van der Weide et al.
9,907,553 B2	3/2018	Cole et al.	9,987,099 B2	6/2018	Chen et al.
9,907,600 B2	3/2018	Stulen et al.	9,993,248 B2	6/2018	Shelton, IV et al.
9,907,620 B2	3/2018	Shelton, IV et al.	9,993,258 B2	6/2018	Shelton, IV et al.
9,913,641 B2	3/2018	Takemoto et al.	9,993,284 B2	6/2018	Boudreaux
9,913,642 B2	3/2018	Leimbach et al.	9,999,408 B2	6/2018	Boudreaux et al.
9,913,644 B2	3/2018	McCuen	9,999,423 B2	6/2018	Schuckmann et al.
9,913,646 B2	3/2018	Shelton, IV	9,999,426 B2	6/2018	Moore et al.
9,913,647 B2	3/2018	Weisenburgh, II et al.	9,999,431 B2	6/2018	Shelton, IV et al.
9,913,648 B2	3/2018	Shelton, IV et al.	9,999,472 B2	6/2018	Weir et al.
9,913,694 B2	3/2018	Brisson	10,004,497 B2	6/2018	Overmyer et al.
9,913,733 B2	3/2018	Piron et al.	10,004,498 B2	6/2018	Morgan et al.
9,918,704 B2	3/2018	Shelton, IV et al.	10,004,500 B2	6/2018	Shelton, IV et al.
9,918,714 B2	3/2018	Gibbons, Jr.	10,004,501 B2	6/2018	Shelton, IV et al.
9,918,715 B2	3/2018	Menn	10,004,505 B2	6/2018	Moore et al.
9,918,716 B2	3/2018	Baxter, III et al.	10,004,506 B2	6/2018	Shelton, IV et al.
9,918,717 B2	3/2018	Czernik	10,004,552 B1	6/2018	Kleyman et al.
9,918,730 B2	3/2018	Trees et al.	D822,206 S	7/2018	Shelton, IV et al.
			10,010,322 B2	7/2018	Shelton, IV et al.
			10,010,324 B2	7/2018	Huitema et al.
			10,010,395 B2	7/2018	Puckett et al.
			10,013,049 B2	7/2018	Leimbach et al.

(56)

References Cited

U.S. PATENT DOCUMENTS

10,016,199 B2	7/2018	Baber et al.	10,105,126 B2	10/2018	Sauer
10,016,656 B2	7/2018	Devor et al.	10,105,128 B2	10/2018	Cooper et al.
10,022,120 B2	7/2018	Martin et al.	10,105,136 B2	10/2018	Yates et al.
10,022,123 B2	7/2018	Williams et al.	10,105,139 B2	10/2018	Yates et al.
10,022,125 B2	7/2018	(Prommersberger) Stopek et al.	10,105,140 B2	10/2018	Malinouskas et al.
10,024,407 B2	7/2018	Aranyi et al.	10,105,142 B2	10/2018	Baxter, III et al.
10,028,742 B2	7/2018	Shelton, IV et al.	10,105,149 B2	10/2018	Haider et al.
10,028,743 B2	7/2018	Shelton, IV et al.	10,106,932 B2	10/2018	Anderson et al.
10,028,744 B2	7/2018	Shelton, IV et al.	10,111,657 B2	10/2018	McCuen
10,028,761 B2	7/2018	Leimbach et al.	10,111,658 B2	10/2018	Chowaniec et al.
10,029,108 B2	7/2018	Powers et al.	10,111,660 B2	10/2018	Hemmann
10,029,125 B2	7/2018	Shapiro et al.	10,111,665 B2	10/2018	Aranyi et al.
10,034,344 B2	7/2018	Yoshida	10,111,679 B2	10/2018	Baber et al.
10,034,668 B2	7/2018	Ebner	10,111,698 B2	10/2018	Scheib et al.
D826,405 S	8/2018	Shelton, IV et al.	10,111,702 B2	10/2018	Kostrzewski
10,039,440 B2	8/2018	Fenech et al.	D833,608 S	11/2018	Miller et al.
10,039,529 B2	8/2018	Kerr et al.	10,117,649 B2	11/2018	Baxter et al.
10,039,532 B2	8/2018	Srinivas et al.	10,117,650 B2	11/2018	Nicholas et al.
10,039,545 B2	8/2018	Sadowski et al.	10,117,652 B2	11/2018	Schmid et al.
10,041,822 B2	8/2018	Zemlok	10,117,653 B2	11/2018	Leimbach et al.
10,045,769 B2	8/2018	Aronhalt et al.	10,117,654 B2	11/2018	Ingmanson et al.
10,045,776 B2	8/2018	Shelton, IV et al.	10,123,798 B2	11/2018	Baxter, III et al.
10,045,778 B2	8/2018	Yates et al.	10,123,845 B2	11/2018	Yeung
10,045,779 B2	8/2018	Savage et al.	10,124,493 B2	11/2018	Rothfuss et al.
10,045,781 B2	8/2018	Cropper et al.	10,130,352 B2	11/2018	Widenhouse et al.
10,045,782 B2	8/2018	Murthy Aravalli	10,130,359 B2	11/2018	Hess et al.
10,045,869 B2	8/2018	Forsell	10,130,360 B2	11/2018	Olson et al.
10,046,904 B2	8/2018	Evans et al.	10,130,361 B2	11/2018	Yates et al.
10,052,044 B2	8/2018	Shelton, IV et al.	10,130,363 B2	11/2018	Huitema et al.
10,052,099 B2	8/2018	Morgan et al.	10,130,366 B2	11/2018	Shelton, IV et al.
10,052,100 B2	8/2018	Morgan et al.	10,130,367 B2	11/2018	Cappola et al.
10,052,102 B2	8/2018	Baxter, III et al.	10,130,382 B2	11/2018	Gladstone
10,052,104 B2	8/2018	Shelton, IV et al.	10,130,738 B2	11/2018	Shelton, IV et al.
10,052,164 B2	8/2018	Overmyer	10,130,830 B2	11/2018	Miret Carceller et al.
10,058,317 B2	8/2018	Fan et al.	10,133,248 B2	11/2018	Fitzsimmons et al.
10,058,327 B2	8/2018	Weisenburgh, II et al.	10,135,242 B2	11/2018	Baber et al.
10,058,373 B2	8/2018	Takashino et al.	10,136,879 B2	11/2018	Ross et al.
10,058,395 B2	8/2018	Devengenzo et al.	10,136,887 B2	11/2018	Shelton, IV et al.
10,058,963 B2	8/2018	Shelton, IV et al.	10,136,889 B2	11/2018	Shelton, IV et al.
10,064,620 B2	9/2018	Gettinger et al.	10,136,890 B2	11/2018	Shelton, IV et al.
10,064,621 B2	9/2018	Kerr et al.	10,136,891 B2	11/2018	Shelton, IV et al.
10,064,622 B2	9/2018	Murthy Aravalli	D835,659 S	12/2018	Anzures et al.
10,064,624 B2	9/2018	Shelton, IV et al.	D836,124 S	12/2018	Fan
10,064,639 B2	9/2018	Ishida et al.	10,143,474 B2	12/2018	Bucciaglia et al.
10,064,649 B2	9/2018	Golebieski et al.	10,149,679 B2	12/2018	Shelton, IV et al.
10,064,688 B2	9/2018	Shelton, IV et al.	10,149,680 B2	12/2018	Parihar et al.
10,070,861 B2	9/2018	Spivey et al.	10,149,682 B2	12/2018	Shelton, IV et al.
10,070,863 B2	9/2018	Swayze et al.	10,149,683 B2	12/2018	Smith et al.
10,071,452 B2	9/2018	Shelton, IV et al.	10,149,712 B2	12/2018	Manwaring et al.
10,076,325 B2	9/2018	Huang et al.	10,152,789 B2	12/2018	Carnes et al.
10,076,326 B2	9/2018	Yates et al.	10,154,841 B2	12/2018	Weaner et al.
10,076,340 B2	9/2018	Belagali et al.	10,159,481 B2	12/2018	Whitman et al.
10,080,552 B2	9/2018	Nicholas et al.	10,159,482 B2	12/2018	Swayze et al.
D830,550 S	10/2018	Miller et al.	10,159,483 B2	12/2018	Beckman et al.
D831,209 S	10/2018	Huitema et al.	10,159,506 B2	12/2018	Boudreaux et al.
D831,676 S	10/2018	Park et al.	10,161,816 B2	12/2018	Jackson et al.
D832,301 S	10/2018	Smith	10,163,065 B1	12/2018	Koski et al.
10,085,624 B2	10/2018	Isoda et al.	10,163,589 B2	12/2018	Zergiebel et al.
10,085,643 B2	10/2018	Bandic et al.	10,164,466 B2	12/2018	Calderoni
10,085,728 B2	10/2018	Jogasaki et al.	D837,244 S	1/2019	Kuo et al.
10,085,746 B2	10/2018	Fischvogt	D837,245 S	1/2019	Kuo et al.
10,085,748 B2	10/2018	Morgan et al.	10,166,023 B2	1/2019	Vendely et al.
10,085,749 B2	10/2018	Cappola et al.	10,166,025 B2	1/2019	Leimbach et al.
10,085,750 B2	10/2018	Zergiebel et al.	10,166,026 B2	1/2019	Shelton, IV et al.
10,085,751 B2	10/2018	Overmyer et al.	10,172,611 B2	1/2019	Shelton, IV et al.
10,085,754 B2	10/2018	Sniffin et al.	10,172,615 B2	1/2019	Marczyk et al.
10,085,806 B2	10/2018	Hagn et al.	10,172,616 B2	1/2019	Murray et al.
10,092,290 B2	10/2018	Yigit et al.	10,172,617 B2	1/2019	Shelton, IV et al.
10,092,292 B2	10/2018	Boudreaux et al.	10,172,618 B2	1/2019	Shelton, IV et al.
10,098,635 B2	10/2018	Burbank	10,172,619 B2	1/2019	Harris et al.
10,098,636 B2	10/2018	Shelton, IV et al.	10,172,620 B2	1/2019	Harris et al.
10,098,640 B2	10/2018	Bertolero et al.	10,172,636 B2	1/2019	Stulen et al.
10,098,642 B2	10/2018	Baxter, III et al.	10,172,669 B2	1/2019	Felder et al.
10,099,303 B2	10/2018	Yoshida et al.	10,175,127 B2	1/2019	Collins et al.
10,101,861 B2	10/2018	Kiyoto	10,178,992 B2	1/2019	Wise et al.
			10,180,463 B2	1/2019	Beckman et al.
			10,182,813 B2	1/2019	Leimbach et al.
			10,182,815 B2	1/2019	Williams et al.
			10,182,816 B2	1/2019	Shelton, IV et al.

(56)

References Cited

U.S. PATENT DOCUMENTS

10,182,818 B2	1/2019	Hensel et al.	10,251,725 B2	4/2019	Valentine et al.
10,182,819 B2	1/2019	Shelton, IV	10,258,322 B2	4/2019	Fanton et al.
10,182,868 B2	1/2019	Meier et al.	10,258,330 B2	4/2019	Shelton, IV et al.
10,188,385 B2	1/2019	Kerr et al.	10,258,331 B2	4/2019	Shelton, IV et al.
10,188,389 B2	1/2019	Vendely et al.	10,258,332 B2	4/2019	Schmid et al.
10,188,393 B2	1/2019	Smith et al.	10,258,333 B2	4/2019	Shelton, IV et al.
10,188,394 B2	1/2019	Shelton, IV et al.	10,258,336 B2	4/2019	Baxter, III et al.
10,190,888 B2	1/2019	Hryb et al.	10,258,363 B2	4/2019	Worrell et al.
D839,900 S	2/2019	Gan	10,258,418 B2	4/2019	Shelton, IV et al.
D841,667 S	2/2019	Coren	10,264,797 B2	4/2019	Zhang et al.
10,194,801 B2	2/2019	Elhawary et al.	10,265,065 B2	4/2019	Shelton, IV et al.
10,194,904 B2	2/2019	Viola et al.	10,265,067 B2	4/2019	Yates et al.
10,194,907 B2	2/2019	Marczyk et al.	10,265,068 B2	4/2019	Harris et al.
10,194,908 B2	2/2019	Duque et al.	10,265,072 B2	4/2019	Shelton, IV et al.
10,194,910 B2	2/2019	Shelton, IV et al.	10,265,073 B2	4/2019	Scheib et al.
10,194,911 B2	2/2019	Miller et al.	10,265,074 B2	4/2019	Shelton, IV et al.
10,194,912 B2	2/2019	Scheib et al.	10,265,090 B2	4/2019	Ingmanson et al.
10,194,913 B2	2/2019	Nalagatla et al.	10,271,840 B2	4/2019	Sapre
10,194,976 B2	2/2019	Boudreaux	10,271,844 B2	4/2019	Valentine et al.
10,194,992 B2	2/2019	Robinson	10,271,845 B2	4/2019	Shelton, IV
10,201,348 B2	2/2019	Scheib et al.	10,271,846 B2	4/2019	Shelton, IV et al.
10,201,349 B2	2/2019	Leimbach et al.	10,271,847 B2	4/2019	Racenet et al.
10,201,363 B2	2/2019	Shelton, IV	10,271,849 B2	4/2019	Vendely et al.
10,201,364 B2	2/2019	Leimbach et al.	10,271,851 B2	4/2019	Shelton, IV et al.
10,201,365 B2	2/2019	Boudreaux et al.	D847,989 S	5/2019	Shelton, IV et al.
10,201,381 B2	2/2019	Zergiebel et al.	D848,473 S	5/2019	Zhu et al.
10,206,605 B2	2/2019	Shelton, IV et al.	D849,046 S	5/2019	Kuo et al.
10,206,676 B2	2/2019	Shelton, IV	10,278,696 B2	5/2019	Gurumurthy et al.
10,206,677 B2	2/2019	Harris et al.	10,278,697 B2	5/2019	Shelton, IV et al.
10,206,678 B2	2/2019	Shelton, IV et al.	10,278,702 B2	5/2019	Shelton, IV et al.
10,206,748 B2	2/2019	Burbank	10,278,703 B2	5/2019	Nativ et al.
10,210,244 B1	2/2019	Branavan et al.	10,278,707 B2	5/2019	Thompson et al.
10,211,586 B2	2/2019	Adams et al.	10,278,722 B2	5/2019	Shelton, IV et al.
10,213,198 B2	2/2019	Aronhalt et al.	10,278,780 B2	5/2019	Shelton, IV
10,213,201 B2	2/2019	Shelton, IV et al.	10,285,694 B2	5/2019	Viola et al.
10,213,202 B2	2/2019	Flanagan et al.	10,285,695 B2	5/2019	Jaworek et al.
10,213,203 B2	2/2019	Swayze et al.	10,285,699 B2	5/2019	Vendely et al.
10,213,204 B2	2/2019	Aranyi et al.	10,285,700 B2	5/2019	Scheib
10,213,262 B2	2/2019	Shelton, IV et al.	10,285,705 B2	5/2019	Shelton, IV et al.
D842,328 S	3/2019	Jian et al.	10,285,724 B2	5/2019	Faller et al.
10,219,811 B2	3/2019	Haider et al.	10,292,701 B2	5/2019	Scheib et al.
10,219,832 B2	3/2019	Bagwell et al.	10,292,704 B2	5/2019	Harris et al.
10,220,522 B2	3/2019	Rockrohr	10,292,707 B2	5/2019	Shelton, IV et al.
10,226,239 B2	3/2019	Nicholas et al.	10,293,100 B2	5/2019	Shelton, IV et al.
10,226,249 B2	3/2019	Jaworek et al.	10,293,553 B2	5/2019	Racenet et al.
10,226,250 B2	3/2019	Beckman et al.	10,299,787 B2	5/2019	Shelton, IV
10,226,251 B2	3/2019	Scheib et al.	10,299,788 B2	5/2019	Heinrich et al.
10,226,274 B2	3/2019	Worrell et al.	10,299,789 B2	5/2019	Marczyk et al.
10,231,634 B2	3/2019	Zand et al.	10,299,790 B2	5/2019	Beardsley
10,231,653 B2	3/2019	Bohm et al.	10,299,792 B2	5/2019	Huitema et al.
10,231,734 B2	3/2019	Thompson et al.	10,299,817 B2	5/2019	Shelton, IV et al.
10,231,794 B2	3/2019	Shelton, IV et al.	10,299,818 B2	5/2019	Riva
10,238,385 B2	3/2019	Yates et al.	10,299,878 B2	5/2019	Shelton, IV et al.
10,238,386 B2	3/2019	Overmyer et al.	10,303,851 B2	5/2019	Nguyen et al.
10,238,387 B2	3/2019	Yates et al.	D850,617 S	6/2019	Shelton, IV et al.
10,238,389 B2	3/2019	Yates et al.	D851,676 S	6/2019	Foss et al.
10,238,390 B2	3/2019	Harris et al.	D851,762 S	6/2019	Shelton, IV et al.
10,238,391 B2	3/2019	Leimbach et al.	10,307,159 B2	6/2019	Harris et al.
D844,666 S	4/2019	Espeleta et al.	10,307,160 B2	6/2019	Vendely et al.
D844,667 S	4/2019	Espeleta et al.	10,307,161 B2	6/2019	Jankowski
D845,342 S	4/2019	Espeleta et al.	10,307,163 B2	6/2019	Moore et al.
D847,199 S	4/2019	Whitmore	10,307,170 B2	6/2019	Parfett et al.
10,244,991 B2	4/2019	Shademan et al.	10,307,202 B2	6/2019	Smith et al.
10,245,027 B2	4/2019	Shelton, IV et al.	10,314,559 B2	6/2019	Razzaque et al.
10,245,028 B2	4/2019	Shelton, IV et al.	10,314,577 B2	6/2019	Laurent et al.
10,245,029 B2	4/2019	Hunter et al.	10,314,578 B2	6/2019	Leimbach et al.
10,245,030 B2	4/2019	Hunter et al.	10,314,580 B2	6/2019	Scheib et al.
10,245,032 B2	4/2019	Shelton, IV	10,314,582 B2	6/2019	Shelton, IV et al.
10,245,033 B2	4/2019	Overmyer et al.	10,314,584 B2	6/2019	Scirica et al.
10,245,034 B2	4/2019	Shelton, IV et al.	10,314,587 B2	6/2019	Harris et al.
10,245,035 B2	4/2019	Swayze et al.	10,314,588 B2	6/2019	Turner et al.
10,245,038 B2	4/2019	Hopkins et al.	10,314,589 B2	6/2019	Shelton, IV et al.
10,245,058 B2	4/2019	Omori et al.	10,314,590 B2	6/2019	Shelton, IV et al.
10,251,648 B2	4/2019	Harris et al.	10,315,566 B2	6/2019	Choi et al.
10,251,649 B2	4/2019	Schellin et al.	10,321,907 B2	6/2019	Shelton, IV et al.
			10,321,909 B2	6/2019	Shelton, IV et al.
			10,321,927 B2	6/2019	Hinman
			10,327,743 B2	6/2019	St. Goar et al.
			10,327,764 B2	6/2019	Harris et al.

(56)

References Cited

U.S. PATENT DOCUMENTS

10,327,765 B2	6/2019	Timm et al.	10,413,297 B2	9/2019	Harris et al.
10,327,767 B2	6/2019	Shelton, IV et al.	10,413,370 B2	9/2019	Yates et al.
10,327,769 B2	6/2019	Overmyer et al.	10,413,373 B2	9/2019	Yates et al.
10,327,776 B2	6/2019	Harris et al.	10,420,548 B2	9/2019	Whitman et al.
10,327,777 B2	6/2019	Harris et al.	10,420,549 B2	9/2019	Yates et al.
D854,032 S	7/2019	Jones et al.	10,420,550 B2	9/2019	Shelton, IV
D854,151 S	7/2019	Shelton, IV et al.	10,420,551 B2	9/2019	Calderoni
10,335,144 B2	7/2019	Shelton, IV et al.	10,420,552 B2	9/2019	Shelton, IV et al.
10,335,145 B2	7/2019	Harris et al.	10,420,553 B2	9/2019	Shelton, IV et al.
10,335,147 B2	7/2019	Rector et al.	10,420,554 B2	9/2019	Collings et al.
10,335,148 B2	7/2019	Shelton, IV et al.	10,420,555 B2	9/2019	Shelton, IV et al.
10,335,149 B2	7/2019	Baxter, III et al.	10,420,558 B2	9/2019	Nalagatla et al.
10,335,150 B2	7/2019	Shelton, IV	10,420,559 B2	9/2019	Marczyk et al.
10,335,151 B2	7/2019	Shelton, IV et al.	10,420,560 B2	9/2019	Shelton, IV et al.
10,337,148 B2	7/2019	Rouse et al.	10,420,561 B2	9/2019	Shelton, IV et al.
10,342,533 B2	7/2019	Shelton, IV et al.	10,420,577 B2	9/2019	Chowaniec et al.
10,342,535 B2	7/2019	Scheib et al.	D861,707 S	10/2019	Yang
10,342,541 B2	7/2019	Shelton, IV et al.	D862,518 S	10/2019	Niven et al.
10,342,543 B2	7/2019	Shelton, IV et al.	D863,343 S	10/2019	Mazlish et al.
10,342,623 B2	7/2019	Huelman et al.	D864,388 S	10/2019	Barber
10,349,937 B2	7/2019	Williams	D865,174 S	10/2019	Auld et al.
10,349,939 B2	7/2019	Shelton, IV et al.	D865,175 S	10/2019	Widenhouse et al.
10,349,941 B2	7/2019	Marczyk et al.	10,426,463 B2	10/2019	Shelton, IV et al.
10,349,963 B2	7/2019	Fiksen et al.	10,426,466 B2	10/2019	Contini et al.
10,350,016 B2	7/2019	Burbank et al.	10,426,467 B2	10/2019	Miller et al.
10,357,246 B2	7/2019	Shelton, IV et al.	10,426,468 B2	10/2019	Contini et al.
10,357,247 B2	7/2019	Shelton, IV et al.	10,426,469 B2	10/2019	Shelton, IV et al.
10,357,248 B2	7/2019	Dalessandro et al.	10,426,471 B2	10/2019	Shelton, IV et al.
10,357,252 B2	7/2019	Harris et al.	10,426,476 B2	10/2019	Harris et al.
10,363,031 B2	7/2019	Alexander, III et al.	10,426,477 B2	10/2019	Harris et al.
10,363,033 B2	7/2019	Timm et al.	10,426,478 B2	10/2019	Shelton, IV et al.
10,363,036 B2	7/2019	Yates et al.	10,426,481 B2	10/2019	Aronhalt et al.
10,363,037 B2	7/2019	Aronhalt et al.	10,426,555 B2	10/2019	Crowley et al.
D855,634 S	8/2019	Kim	10,433,837 B2	10/2019	Worthington et al.
D856,359 S	8/2019	Huang et al.	10,433,839 B2	10/2019	Scheib et al.
10,368,838 B2	8/2019	Williams et al.	10,433,840 B2	10/2019	Shelton, IV et al.
10,368,861 B2	8/2019	Baxter, III et al.	10,433,842 B2	10/2019	Amariglio et al.
10,368,863 B2	8/2019	Timm et al.	10,433,844 B2	10/2019	Shelton, IV et al.
10,368,864 B2	8/2019	Harris et al.	10,433,845 B2	10/2019	Baxter, III et al.
10,368,865 B2	8/2019	Harris et al.	10,433,846 B2	10/2019	Vendely et al.
10,368,867 B2	8/2019	Harris et al.	10,433,849 B2	10/2019	Shelton, IV et al.
10,368,892 B2	8/2019	Stulen et al.	10,433,918 B2	10/2019	Shelton, IV et al.
10,376,263 B2	8/2019	Morgan et al.	10,441,279 B2	10/2019	Shelton, IV et al.
10,383,626 B2	8/2019	Soltz	10,441,280 B2	10/2019	Timm et al.
10,383,628 B2	8/2019	Kang et al.	10,441,281 B2	10/2019	Shelton, IV et al.
10,383,629 B2	8/2019	Ross et al.	10,441,285 B2	10/2019	Shelton, IV et al.
10,383,630 B2	8/2019	Shelton, IV et al.	10,441,286 B2	10/2019	Shelton, IV et al.
10,383,633 B2	8/2019	Shelton, IV et al.	10,441,345 B2	10/2019	Aldridge et al.
10,383,634 B2	8/2019	Shelton, IV et al.	10,441,369 B2	10/2019	Shelton, IV et al.
10,390,823 B2	8/2019	Shelton, IV et al.	10,448,948 B2	10/2019	Shelton, IV et al.
10,390,825 B2	8/2019	Shelton, IV et al.	10,448,950 B2	10/2019	Shelton, IV et al.
10,390,828 B2	8/2019	Vendely et al.	10,448,952 B2	10/2019	Shelton, IV et al.
10,390,829 B2	8/2019	Eckert et al.	10,456,122 B2	10/2019	Koltz et al.
10,390,830 B2	8/2019	Schulz	10,456,132 B2	10/2019	Gettinger et al.
10,390,841 B2	8/2019	Shelton, IV et al.	10,456,133 B2	10/2019	Yates et al.
10,390,897 B2	8/2019	Kostrzewski	10,456,137 B2	10/2019	Vendely et al.
D859,466 S	9/2019	Okada et al.	10,456,140 B2	10/2019	Shelton, IV et al.
D860,219 S	9/2019	Rasmussen et al.	D865,796 S	11/2019	Xu et al.
D861,035 S	9/2019	Park et al.	10,463,367 B2	11/2019	Kostrzewski et al.
10,398,433 B2	9/2019	Boudreaux et al.	10,463,369 B2	11/2019	Shelton, IV et al.
10,398,434 B2	9/2019	Shelton, IV et al.	10,463,370 B2	11/2019	Yates et al.
10,398,436 B2	9/2019	Shelton, IV et al.	10,463,371 B2	11/2019	Kostrzewski
10,398,460 B2	9/2019	Overmyer	10,463,372 B2	11/2019	Shelton, IV et al.
10,404,136 B2	9/2019	Oktavec et al.	10,463,373 B2	11/2019	Mozdzierz et al.
10,405,854 B2	9/2019	Schmid et al.	10,463,382 B2	11/2019	Ingmanson et al.
10,405,857 B2	9/2019	Shelton, IV et al.	10,463,383 B2	11/2019	Shelton, IV et al.
10,405,859 B2	9/2019	Harris et al.	10,463,384 B2	11/2019	Shelton, IV et al.
10,405,863 B2	9/2019	Wise et al.	10,470,762 B2	11/2019	Leimbach et al.
10,405,914 B2	9/2019	Manwaring et al.	10,470,763 B2	11/2019	Yates et al.
10,405,932 B2	9/2019	Overmyer	10,470,764 B2	11/2019	Baxter, III et al.
10,405,937 B2	9/2019	Black et al.	10,470,767 B2	11/2019	Gleiman et al.
10,413,155 B2	9/2019	Inoue	10,470,768 B2	11/2019	Harris et al.
10,413,291 B2	9/2019	Worthington et al.	10,470,769 B2	11/2019	Shelton, IV et al.
10,413,293 B2	9/2019	Shelton, IV et al.	10,471,282 B2	11/2019	Kirk et al.
10,413,294 B2	9/2019	Shelton, IV et al.	10,471,576 B2	11/2019	Totsu
			10,471,607 B2	11/2019	Butt et al.
			10,478,181 B2	11/2019	Shelton, IV et al.
			10,478,182 B2	11/2019	Taylor
			10,478,185 B2	11/2019	Nicholas

(56)

References Cited

U.S. PATENT DOCUMENTS

10,478,187 B2	11/2019	Shelton, IV et al.	10,568,626 B2	2/2020	Shelton, IV et al.
10,478,188 B2	11/2019	Harris et al.	10,568,629 B2	2/2020	Shelton, IV et al.
10,478,189 B2	11/2019	Bear et al.	10,568,632 B2	2/2020	Miller et al.
10,478,190 B2	11/2019	Miller et al.	10,568,652 B2	2/2020	Hess et al.
10,478,207 B2	11/2019	Lathrop	10,569,071 B2	2/2020	Harris et al.
10,482,292 B2	11/2019	Clouser et al.	D879,808 S	3/2020	Harris et al.
10,485,536 B2	11/2019	Ming et al.	D879,809 S	3/2020	Harris et al.
10,485,537 B2	11/2019	Yates et al.	10,575,868 B2	3/2020	Hall et al.
10,485,539 B2	11/2019	Shelton, IV et al.	10,580,320 B2	3/2020	Kamiguchi et al.
10,485,541 B2	11/2019	Shelton, IV et al.	10,582,928 B2	3/2020	Hunter et al.
10,485,542 B2	11/2019	Shelton, IV et al.	10,588,231 B2	3/2020	Sgroi, Jr. et al.
10,485,543 B2	11/2019	Shelton, IV et al.	10,588,623 B2	3/2020	Schmid et al.
10,485,546 B2	11/2019	Shelton, IV et al.	10,588,625 B2	3/2020	Weaner et al.
10,485,547 B2	11/2019	Shelton, IV et al.	10,588,626 B2	3/2020	Overmyer et al.
D869,655 S	12/2019	Shelton, IV et al.	10,588,629 B2	3/2020	Malinouskas et al.
D870,742 S	12/2019	Cornell	10,588,630 B2	3/2020	Shelton, IV et al.
10,492,783 B2	12/2019	Shelton, IV et al.	10,588,631 B2	3/2020	Shelton, IV et al.
10,492,785 B2	12/2019	Overmyer et al.	10,588,632 B2	3/2020	Shelton, IV et al.
10,492,787 B2	12/2019	Smith et al.	10,588,633 B2	3/2020	Shelton, IV et al.
10,492,814 B2	12/2019	Snow et al.	10,595,835 B2	3/2020	Kerr et al.
10,492,847 B2	12/2019	Godara et al.	10,595,862 B2	3/2020	Shelton, IV et al.
10,492,851 B2	12/2019	Hughett, Sr. et al.	10,595,882 B2	3/2020	Parfett et al.
10,498,269 B2	12/2019	Zemlok et al.	10,595,887 B2	3/2020	Shelton, IV et al.
10,499,890 B2	12/2019	Shelton, IV et al.	10,595,929 B2	3/2020	Boudreaux et al.
10,499,914 B2	12/2019	Huang et al.	10,603,036 B2	3/2020	Hunter et al.
10,499,917 B2	12/2019	Scheib et al.	10,603,039 B2	3/2020	Vendely et al.
10,499,918 B2	12/2019	Schellin et al.	10,603,041 B2	3/2020	Miller et al.
10,500,000 B2	12/2019	Swayze et al.	10,603,117 B2	3/2020	Schings et al.
10,500,309 B2	12/2019	Shah et al.	10,603,128 B2	3/2020	Zergiebel et al.
10,507,034 B2	12/2019	Timm	D882,783 S *	4/2020	Shelton, IV D24/145
10,508,720 B2	12/2019	Nicholas	10,610,224 B2	4/2020	Shelton, IV et al.
10,512,461 B2	12/2019	Gupta et al.	10,610,225 B2	4/2020	Reed et al.
10,512,462 B2	12/2019	Felder et al.	10,610,236 B2	4/2020	Baril
10,517,590 B2	12/2019	Giordano et al.	10,610,313 B2	4/2020	Bailey et al.
10,517,592 B2	12/2019	Shelton, IV et al.	10,610,346 B2	4/2020	Schwartz
10,517,594 B2	12/2019	Shelton, IV et al.	10,617,411 B2	4/2020	Williams
10,517,595 B2	12/2019	Hunter et al.	10,617,412 B2	4/2020	Shelton, IV et al.
10,517,596 B2	12/2019	Hunter et al.	10,617,413 B2	4/2020	Shelton, IV et al.
10,517,599 B2	12/2019	Baxter, III et al.	10,617,414 B2	4/2020	Shelton, IV et al.
10,517,682 B2	12/2019	Giordano et al.	10,617,416 B2	4/2020	Leimbach et al.
10,524,784 B2	1/2020	Kostrzewski	10,617,417 B2	4/2020	Baxter, III et al.
10,524,787 B2	1/2020	Shelton, IV et al.	10,617,418 B2	4/2020	Barton et al.
10,524,788 B2	1/2020	Vendely et al.	10,617,420 B2	4/2020	Shelton, IV et al.
10,524,789 B2	1/2020	Swayze et al.	10,624,616 B2	4/2020	Mukherjee et al.
10,524,790 B2	1/2020	Shelton, IV et al.	10,624,630 B2	4/2020	Deville et al.
10,524,795 B2	1/2020	Nalagatla et al.	10,624,633 B2	4/2020	Shelton, IV et al.
10,531,874 B2	1/2020	Morgan et al.	10,624,634 B2	4/2020	Shelton, IV et al.
10,531,887 B2	1/2020	Shelton, IV et al.	10,624,635 B2	4/2020	Harris et al.
10,537,324 B2	1/2020	Shelton, IV et al.	10,624,709 B2	4/2020	Remm
10,537,325 B2	1/2020	Bakos et al.	10,624,861 B2	4/2020	Widenhouse et al.
10,537,351 B2	1/2020	Shelton, IV et al.	10,625,062 B2	4/2020	Matlock et al.
10,542,908 B2	1/2020	Mei et al.	10,631,857 B2	4/2020	Kostrzewski
10,542,974 B2	1/2020	Yates et al.	10,631,858 B2	4/2020	Burbank
10,542,976 B2	1/2020	Calderoni et al.	10,631,859 B2	4/2020	Shelton, IV et al.
10,542,978 B2	1/2020	Chowaniec et al.	10,631,860 B2	4/2020	Bakos et al.
10,542,979 B2	1/2020	Shelton, IV et al.	10,636,104 B2	4/2020	Mazar et al.
10,542,982 B2	1/2020	Beckman et al.	10,639,018 B2	5/2020	Shelton, IV et al.
10,542,985 B2	1/2020	Zhan et al.	10,639,034 B2	5/2020	Harris et al.
10,542,988 B2	1/2020	Schellin et al.	10,639,035 B2	5/2020	Shelton, IV et al.
10,542,991 B2	1/2020	Shelton, IV et al.	10,639,036 B2	5/2020	Yates et al.
10,548,504 B2	2/2020	Shelton, IV et al.	10,639,037 B2	5/2020	Shelton, IV et al.
10,548,593 B2	2/2020	Shelton, IV et al.	10,639,089 B2	5/2020	Manwaring et al.
10,548,600 B2	2/2020	Shelton, IV et al.	10,639,115 B2	5/2020	Shelton, IV et al.
10,548,673 B2	2/2020	Harris et al.	10,642,633 B1	5/2020	Chopra et al.
10,561,418 B2	2/2020	Richard et al.	10,645,905 B2	5/2020	Gandola et al.
10,561,419 B2	2/2020	Beardsley	10,646,220 B2	5/2020	Shelton, IV et al.
10,561,420 B2	2/2020	Harris et al.	10,646,292 B2	5/2020	Solomon et al.
10,561,422 B2	2/2020	Schellin et al.	10,653,413 B2	5/2020	Worthington et al.
10,561,432 B2	2/2020	Estrella et al.	10,653,417 B2	5/2020	Shelton, IV et al.
10,561,474 B2	2/2020	Adams et al.	10,653,435 B2	5/2020	Shelton, IV et al.
10,562,160 B2	2/2020	Iwata et al.	10,660,640 B2	5/2020	Yates et al.
10,568,493 B2	2/2020	Blase et al.	10,667,408 B2	5/2020	Sgroi, Jr. et al.
10,568,621 B2	2/2020	Shelton, IV et al.	D888,953 S	6/2020	Baxter, III et al.
10,568,624 B2	2/2020	Shelton, IV et al.	10,667,808 B2	6/2020	Baxter, III et al.
10,568,625 B2	2/2020	Harris et al.	10,667,809 B2	6/2020	Bakos et al.
			10,667,810 B2	6/2020	Shelton, IV et al.
			10,667,811 B2	6/2020	Harris et al.
			10,667,818 B2	6/2020	McLain et al.
			10,674,895 B2	6/2020	Yeung et al.

(56)

References Cited

U.S. PATENT DOCUMENTS

10,675,021 B2	6/2020	Harris et al.	10,743,874 B2	8/2020	Shelton, IV et al.
10,675,024 B2	6/2020	Shelton, IV et al.	10,743,875 B2	8/2020	Shelton, IV et al.
10,675,025 B2	6/2020	Swayze et al.	10,743,877 B2	8/2020	Shelton, IV et al.
10,675,026 B2	6/2020	Harris et al.	10,743,930 B2	8/2020	Nagtegaal
10,675,028 B2	6/2020	Shelton, IV et al.	10,751,048 B2	8/2020	Whitman et al.
10,675,035 B2	6/2020	Zingman	10,751,053 B2	8/2020	Harris et al.
10,675,102 B2	6/2020	Forgione et al.	10,751,076 B2	8/2020	Laurent et al.
10,677,035 B2	6/2020	Balan et al.	10,751,138 B2	8/2020	Giordano et al.
10,682,134 B2	6/2020	Shelton, IV et al.	10,758,229 B2	9/2020	Shelton, IV et al.
10,682,136 B2	6/2020	Harris et al.	10,758,230 B2	9/2020	Shelton, IV et al.
10,682,137 B2	6/2020	Stokes et al.	10,758,232 B2	9/2020	Shelton, IV et al.
10,682,138 B2	6/2020	Shelton, IV et al.	10,758,233 B2	9/2020	Scheib et al.
10,682,141 B2	6/2020	Moore et al.	10,758,259 B2	9/2020	Demmy et al.
10,682,142 B2	6/2020	Shelton, IV et al.	10,765,425 B2	9/2020	Yates et al.
10,687,806 B2	6/2020	Shelton, IV et al.	10,765,427 B2	9/2020	Shelton, IV et al.
10,687,809 B2	6/2020	Shelton, IV et al.	10,765,429 B2	9/2020	Leimbach et al.
10,687,810 B2	6/2020	Shelton, IV et al.	10,765,430 B2	9/2020	Wixey
10,687,812 B2	6/2020	Shelton, IV et al.	10,765,432 B2	9/2020	Moore et al.
10,687,813 B2	6/2020	Shelton, IV et al.	10,765,442 B2	9/2020	Strobl
10,687,817 B2	6/2020	Shelton, IV et al.	10,772,625 B2	9/2020	Shelton, IV et al.
10,687,819 B2	6/2020	Stokes et al.	10,772,628 B2	9/2020	Chen et al.
10,687,904 B2	6/2020	Harris et al.	10,772,629 B2	9/2020	Shelton, IV et al.
10,695,053 B2	6/2020	Hess et al.	10,772,630 B2	9/2020	Wixey
10,695,055 B2	6/2020	Shelton, IV et al.	10,772,631 B2	9/2020	Zergiebel et al.
10,695,057 B2	6/2020	Shelton, IV et al.	10,772,632 B2	9/2020	Kostrzewski
10,695,058 B2	6/2020	Lytle, IV et al.	10,772,651 B2	9/2020	Shelton, IV et al.
10,695,062 B2	6/2020	Leimbach et al.	10,779,818 B2	9/2020	Zemlok et al.
10,695,063 B2	6/2020	Morgan et al.	10,779,820 B2	9/2020	Harris et al.
10,695,074 B2	6/2020	Carusillo	10,779,821 B2	9/2020	Harris et al.
10,695,081 B2	6/2020	Shelton, IV et al.	10,779,822 B2	9/2020	Yates et al.
10,695,123 B2	6/2020	Allen, IV	10,779,823 B2	9/2020	Shelton, IV et al.
10,695,187 B2	6/2020	Moskowitz et al.	10,779,824 B2	9/2020	Shelton, IV et al.
D890,784 S	7/2020	Shelton, IV et al.	10,779,825 B2	9/2020	Shelton, IV et al.
10,702,266 B2	7/2020	Parihar et al.	10,779,826 B2	9/2020	Shelton, IV et al.
10,702,267 B2	7/2020	Hess et al.	10,779,903 B2	9/2020	Wise et al.
10,702,270 B2	7/2020	Shelton, IV et al.	10,780,539 B2	9/2020	Shelton, IV et al.
10,702,271 B2	7/2020	Aranyi et al.	10,786,248 B2	9/2020	Rousseau et al.
10,705,660 B2	7/2020	Xiao	10,786,253 B2	9/2020	Shelton, IV et al.
10,709,446 B2	7/2020	Harris et al.	10,786,255 B2	9/2020	Hodgkinson et al.
10,709,468 B2	7/2020	Shelton, IV et al.	10,792,038 B2	10/2020	Becerra et al.
10,709,469 B2	7/2020	Shelton, IV et al.	10,796,471 B2	10/2020	Leimbach et al.
10,709,496 B2	7/2020	Moua et al.	10,799,240 B2	10/2020	Shelton, IV et al.
10,716,563 B2	7/2020	Shelton, IV et al.	10,799,306 B2	10/2020	Robinson et al.
10,716,565 B2	7/2020	Shelton, IV et al.	10,806,448 B2	10/2020	Shelton, IV et al.
10,716,568 B2	7/2020	Hall et al.	10,806,449 B2	10/2020	Shelton, IV et al.
10,716,614 B2	7/2020	Yates et al.	10,806,450 B2	10/2020	Yates et al.
10,717,179 B2	7/2020	Koenig et al.	10,806,451 B2	10/2020	Harris et al.
10,722,232 B2	7/2020	Yates et al.	10,806,453 B2	10/2020	Chen et al.
10,722,233 B2	7/2020	Wellman	10,806,479 B2	10/2020	Shelton, IV et al.
10,722,292 B2	7/2020	Arya et al.	10,813,638 B2	10/2020	Shelton, IV et al.
10,722,293 B2	7/2020	Arya et al.	10,813,639 B2	10/2020	Shelton, IV et al.
10,722,317 B2	7/2020	Ward et al.	10,813,640 B2	10/2020	Adams et al.
D893,717 S	8/2020	Messerly et al.	10,813,641 B2	10/2020	Setser et al.
10,729,432 B2	8/2020	Shelton, IV et al.	10,813,683 B2	10/2020	Baxter, III et al.
10,729,434 B2	8/2020	Harris et al.	10,813,705 B2	10/2020	Hares et al.
10,729,436 B2	8/2020	Shelton, IV et al.	10,813,710 B2	10/2020	Grubbs
10,729,443 B2	8/2020	Cabrera et al.	10,820,939 B2	11/2020	Sartor
10,729,458 B2	8/2020	Stoddard et al.	10,828,028 B2	11/2020	Harris et al.
10,729,501 B2	8/2020	Leimbach et al.	10,828,030 B2	11/2020	Weir et al.
10,729,509 B2	8/2020	Shelton, IV et al.	10,828,032 B2	11/2020	Leimbach et al.
10,736,616 B2	8/2020	Scheib et al.	10,828,033 B2	11/2020	Shelton, IV et al.
10,736,628 B2	8/2020	Yates et al.	10,828,089 B2	11/2020	Clark et al.
10,736,629 B2	8/2020	Shelton, IV et al.	10,835,245 B2	11/2020	Swayze et al.
10,736,630 B2	8/2020	Huang et al.	10,835,246 B2	11/2020	Shelton, IV et al.
10,736,633 B2	8/2020	Vendely et al.	10,835,247 B2	11/2020	Shelton, IV et al.
10,736,634 B2	8/2020	Shelton, IV et al.	10,835,249 B2	11/2020	Schellin et al.
10,736,636 B2	8/2020	Baxter, III et al.	10,835,251 B2	11/2020	Shelton, IV et al.
10,736,644 B2	8/2020	Windolf et al.	10,835,330 B2	11/2020	Shelton, IV et al.
10,743,849 B2	8/2020	Shelton, IV et al.	10,842,357 B2	11/2020	Moskowitz et al.
10,743,850 B2	8/2020	Hibner et al.	10,842,473 B2	11/2020	Scheib et al.
10,743,851 B2	8/2020	Swayze et al.	10,842,488 B2	11/2020	Swayze et al.
10,743,868 B2	8/2020	Shelton, IV et al.	10,842,489 B2	11/2020	Shelton, IV
10,743,870 B2	8/2020	Hall et al.	10,842,490 B2	11/2020	DiNardo et al.
10,743,872 B2	8/2020	Leimbach et al.	10,842,491 B2	11/2020	Shelton, IV et al.
10,743,873 B2	8/2020	Overmyer et al.	10,842,492 B2	11/2020	Shelton, IV et al.
			D904,612 S	12/2020	Wynn et al.
			D904,613 S	12/2020	Wynn et al.
			D906,355 S	12/2020	Messerly et al.
			10,849,621 B2	12/2020	Whitfield et al.

(56)

References Cited

U.S. PATENT DOCUMENTS

10,849,623 B2	12/2020	Dunki-Jacobs et al.	10,932,775 B2	3/2021	Shelton, IV et al.
10,849,697 B2	12/2020	Yates et al.	10,932,778 B2	3/2021	Smith et al.
10,856,866 B2	12/2020	Shelton, IV et al.	10,932,779 B2	3/2021	Vendely et al.
10,856,867 B2	12/2020	Shelton, IV et al.	10,932,784 B2	3/2021	Mozdzierz et al.
10,856,868 B2	12/2020	Shelton, IV et al.	10,932,804 B2	3/2021	Scheib et al.
10,856,869 B2	12/2020	Shelton, IV et al.	10,932,806 B2	3/2021	Shelton, IV et al.
10,856,870 B2	12/2020	Harris et al.	10,932,872 B2	3/2021	Shelton, IV et al.
10,863,981 B2	12/2020	Overmyer et al.	10,944,728 B2	3/2021	Wiener et al.
10,863,984 B2	12/2020	Shelton, IV et al.	10,945,727 B2	3/2021	Shelton, IV et al.
10,863,986 B2	12/2020	Yates et al.	10,945,728 B2	3/2021	Morgan et al.
10,869,663 B2	12/2020	Shelton, IV et al.	10,945,729 B2	3/2021	Shelton, IV et al.
10,869,664 B2	12/2020	Shelton, IV	10,945,731 B2	3/2021	Baxter, III et al.
10,869,665 B2	12/2020	Shelton, IV et al.	10,952,708 B2	3/2021	Scheib et al.
10,869,666 B2	12/2020	Shelton, IV et al.	10,952,726 B2	3/2021	Chowaniec
10,869,669 B2	12/2020	Shelton, IV et al.	10,952,727 B2	3/2021	Giordano et al.
10,874,290 B2	12/2020	Walen et al.	10,952,728 B2	3/2021	Shelton, IV et al.
10,874,391 B2	12/2020	Shelton, IV et al.	10,952,759 B2	3/2021	Messerly et al.
10,874,392 B2	12/2020	Scirica et al.	10,952,767 B2	3/2021	Kostrzewski et al.
10,874,393 B2	12/2020	Satti, III et al.	10,959,722 B2	3/2021	Morgan et al.
10,874,396 B2	12/2020	Moore et al.	10,959,725 B2	3/2021	Kerr et al.
10,874,399 B2	12/2020	Zhang	10,959,727 B2	3/2021	Hunter et al.
10,879,275 B2	12/2020	Li et al.	10,959,731 B2	3/2021	Casasanta, Jr. et al.
D907,647 S	1/2021	Siebel et al.	10,959,744 B2	3/2021	Shelton, IV et al.
D907,648 S	1/2021	Siebel et al.	10,959,797 B2	3/2021	Licht et al.
D908,216 S	1/2021	Messerly et al.	D917,500 S	4/2021	Siebel et al.
10,881,395 B2	1/2021	Merchant et al.	10,966,627 B2	4/2021	Shelton, IV et al.
10,881,396 B2	1/2021	Shelton, IV et al.	10,966,717 B2	4/2021	Shah et al.
10,881,399 B2	1/2021	Shelton, IV et al.	10,966,718 B2	4/2021	Shelton, IV et al.
10,881,401 B2	1/2021	Baber et al.	10,966,791 B2	4/2021	Harris et al.
10,881,446 B2	1/2021	Strobl	10,973,515 B2	4/2021	Harris et al.
10,888,318 B2	1/2021	Parihar et al.	10,973,516 B2	4/2021	Shelton, IV et al.
10,888,321 B2	1/2021	Shelton, IV et al.	10,973,517 B2	4/2021	Wixey
10,888,322 B2	1/2021	Morgan et al.	10,973,519 B2	4/2021	Weir et al.
10,888,323 B2	1/2021	Chen et al.	10,973,520 B2	4/2021	Shelton, IV et al.
10,888,325 B2	1/2021	Harris et al.	10,980,534 B2	4/2021	Yates et al.
10,888,328 B2	1/2021	Shelton, IV et al.	10,980,535 B2	4/2021	Yates et al.
10,888,329 B2	1/2021	Moore et al.	10,980,536 B2	4/2021	Weaner et al.
10,888,330 B2	1/2021	Moore et al.	10,980,537 B2	4/2021	Shelton, IV et al.
10,888,369 B2	1/2021	Messerly et al.	10,980,538 B2	4/2021	Nalagatla et al.
10,892,899 B2	1/2021	Shelton, IV et al.	10,980,539 B2	4/2021	Harris et al.
10,893,853 B2	1/2021	Shelton, IV et al.	10,980,560 B2	4/2021	Shelton, IV et al.
10,893,863 B2	1/2021	Shelton, IV et al.	10,983,646 B2	4/2021	Yoon et al.
10,893,864 B2	1/2021	Harris et al.	10,987,102 B2	4/2021	Gonzalez et al.
10,893,867 B2	1/2021	Leimbach et al.	10,987,178 B2	4/2021	Shelton, IV et al.
10,898,183 B2	1/2021	Shelton, IV et al.	10,993,713 B2	5/2021	Shelton, IV et al.
10,898,184 B2	1/2021	Yates et al.	10,993,715 B2	5/2021	Shelton, IV et al.
10,898,185 B2	1/2021	Overmyer et al.	10,993,716 B2	5/2021	Shelton, IV et al.
10,898,186 B2	1/2021	Bakos et al.	10,993,717 B2	5/2021	Shelton, IV et al.
10,898,190 B2	1/2021	Yates et al.	11,000,274 B2	5/2021	Shelton, IV et al.
10,898,193 B2	1/2021	Shelton, IV et al.	11,000,275 B2	5/2021	Shelton, IV et al.
10,898,194 B2	1/2021	Moore et al.	11,000,277 B2	5/2021	Giordano et al.
10,898,195 B2	1/2021	Moore et al.	11,000,278 B2	5/2021	Shelton, IV et al.
10,903,685 B2	1/2021	Yates et al.	11,000,279 B2	5/2021	Shelton, IV et al.
D910,847 S	2/2021	Shelton, IV et al.	11,006,951 B2	5/2021	Giordano et al.
10,905,415 B2	2/2021	DiNardo et al.	11,006,955 B2	5/2021	Shelton, IV et al.
10,905,418 B2	2/2021	Shelton, IV et al.	11,007,004 B2	5/2021	Shelton, IV et al.
10,905,420 B2	2/2021	Jasemian et al.	11,007,022 B2	5/2021	Shelton, IV et al.
10,905,422 B2	2/2021	Bakos et al.	11,013,511 B2	5/2021	Huang et al.
10,905,423 B2	2/2021	Baber et al.	11,013,552 B2	5/2021	Widenhouse et al.
10,905,426 B2	2/2021	Moore et al.	11,013,563 B2	5/2021	Shelton, IV et al.
10,905,427 B2	2/2021	Moore et al.	11,020,016 B2	6/2021	Wallace et al.
10,911,515 B2	2/2021	Biasi et al.	11,020,112 B2	6/2021	Shelton, IV et al.
10,912,559 B2	2/2021	Harris et al.	11,020,113 B2	6/2021	Shelton, IV et al.
10,912,562 B2	2/2021	Dunki-Jacobs et al.	11,020,114 B2	6/2021	Shelton, IV et al.
10,912,575 B2	2/2021	Shelton, IV et al.	11,020,115 B2	6/2021	Scheib et al.
10,918,364 B2	2/2021	Applegate et al.	11,026,678 B2	6/2021	Overmyer et al.
10,918,380 B2	2/2021	Morgan et al.	11,026,680 B2	6/2021	Shelton, IV et al.
10,918,385 B2	2/2021	Overmyer et al.	11,026,684 B2	6/2021	Shelton, IV et al.
10,918,386 B2	2/2021	Shelton, IV et al.	11,026,687 B2	6/2021	Shelton, IV et al.
10,919,156 B2	2/2021	Roberts et al.	11,026,712 B2	6/2021	Shelton, IV et al.
10,925,600 B2	2/2021	McCuen	11,026,713 B2	6/2021	Stokes et al.
10,925,605 B2	2/2021	Moore et al.	11,026,751 B2	6/2021	Shelton, IV et al.
D914,878 S	3/2021	Shelton, IV et al.	11,033,267 B2	6/2021	Shelton, IV et al.
10,932,772 B2	3/2021	Shelton, IV et al.	11,039,834 B2	6/2021	Harris et al.
10,932,774 B2	3/2021	Shelton, IV	11,039,836 B2	6/2021	Shelton, IV et al.
			11,039,837 B2	6/2021	Shelton, IV et al.
			11,045,189 B2	6/2021	Yates et al.
			11,045,191 B2	6/2021	Shelton, IV et al.
			11,045,192 B2	6/2021	Harris et al.

(56)

References Cited

U.S. PATENT DOCUMENTS

11,045,196 B2	6/2021	Olson et al.	11,134,944 B2	10/2021	Wise et al.
11,045,197 B2	6/2021	Shelton, IV et al.	11,134,947 B2	10/2021	Shelton, IV et al.
11,045,270 B2	6/2021	Shelton, IV et al.	11,135,352 B2	10/2021	Shelton, IV et al.
11,051,807 B2	7/2021	Shelton, IV et al.	11,141,153 B2	10/2021	Shelton, IV et al.
11,051,810 B2	7/2021	Harris et al.	11,141,154 B2	10/2021	Shelton, IV et al.
11,051,811 B2	7/2021	Shelton, IV et al.	11,141,155 B2	10/2021	Shelton, IV
11,051,813 B2	7/2021	Shelton, IV et al.	11,141,156 B2	10/2021	Shelton, IV
11,051,836 B2	7/2021	Shelton, IV et al.	11,141,159 B2	10/2021	Scheib et al.
11,051,840 B2	7/2021	Shelton, IV et al.	11,141,160 B2	10/2021	Shelton, IV et al.
11,051,873 B2	7/2021	Wiener et al.	11,147,547 B2	10/2021	Shelton, IV et al.
11,058,418 B2	7/2021	Shelton, IV et al.	11,147,549 B2	10/2021	Timm et al.
11,058,420 B2	7/2021	Shelton, IV et al.	11,147,551 B2	10/2021	Shelton, IV
11,058,422 B2	7/2021	Harris et al.	11,147,553 B2	10/2021	Shelton, IV
11,058,423 B2	7/2021	Shelton, IV et al.	11,147,554 B2	10/2021	Aronhalt et al.
11,058,424 B2	7/2021	Shelton, IV et al.	11,154,296 B2	10/2021	Aronhalt et al.
11,058,425 B2	7/2021	Widenhouse et al.	11,154,297 B2	10/2021	Swayze et al.
11,058,426 B2	7/2021	Nalagatla et al.	11,154,298 B2	10/2021	Timm et al.
11,058,498 B2	7/2021	Shelton, IV et al.	11,154,299 B2	10/2021	Shelton, IV et al.
11,064,997 B2	7/2021	Shelton, IV et al.	11,154,300 B2	10/2021	Nalagatla et al.
11,064,998 B2	7/2021	Shelton, IV	11,154,301 B2	10/2021	Beckman et al.
11,065,048 B2	7/2021	Messerly et al.	11,160,551 B2	11/2021	Shelton, IV et al.
11,069,012 B2	7/2021	Shelton, IV et al.	11,160,553 B2	11/2021	Simms et al.
11,071,542 B2	7/2021	Chen et al.	11,160,601 B2	11/2021	Worrell et al.
11,071,543 B2	7/2021	Shelton, IV et al.	11,166,716 B2	11/2021	Shelton, IV et al.
11,071,545 B2	7/2021	Baber et al.	11,166,717 B2	11/2021	Shelton, IV et al.
11,071,554 B2	7/2021	Parfett et al.	11,166,720 B2	11/2021	Giordano et al.
11,071,560 B2	7/2021	Deck et al.	11,166,772 B2	11/2021	Shelton, IV et al.
11,076,853 B2	8/2021	Parfett et al.	11,172,580 B2	11/2021	Gaertner, II
11,076,854 B2	8/2021	Baber et al.	11,172,927 B2	11/2021	Shelton, IV
11,076,921 B2	8/2021	Shelton, IV et al.	11,172,929 B2	11/2021	Shelton, IV
11,076,929 B2	8/2021	Shelton, IV et al.	11,179,150 B2	11/2021	Yates et al.
11,083,452 B2	8/2021	Schmid et al.	11,179,151 B2	11/2021	Shelton, IV et al.
11,083,453 B2	8/2021	Shelton, IV et al.	11,179,152 B2	11/2021	Morgan et al.
11,083,454 B2	8/2021	Harris et al.	11,179,153 B2	11/2021	Shelton, IV
11,083,455 B2	8/2021	Shelton, IV et al.	11,179,155 B2	11/2021	Shelton, IV et al.
11,083,456 B2	8/2021	Shelton, IV et al.	11,179,208 B2	11/2021	Yates et al.
11,083,457 B2	8/2021	Shelton, IV et al.	11,185,325 B2	11/2021	Shelton, IV et al.
11,083,458 B2	8/2021	Harris et al.	11,185,330 B2	11/2021	Huitema et al.
11,090,045 B2	8/2021	Shelton, IV	11,191,539 B2	12/2021	Overmyer et al.
11,090,046 B2	8/2021	Shelton, IV et al.	11,191,540 B2	12/2021	Aronhalt et al.
11,090,047 B2	8/2021	Shelton, IV et al.	11,191,543 B2	12/2021	Overmyer et al.
11,090,048 B2	8/2021	Fanelli et al.	11,191,545 B2	12/2021	Vendely et al.
11,090,049 B2	8/2021	Bakos et al.	11,197,668 B2	12/2021	Shelton, IV et al.
11,090,075 B2	8/2021	Hunter et al.	11,197,670 B2	12/2021	Shelton, IV et al.
11,096,688 B2	8/2021	Shelton, IV et al.	11,197,671 B2	12/2021	Shelton, IV et al.
11,096,689 B2	8/2021	Overmyer et al.	11,202,570 B2	12/2021	Shelton, IV et al.
11,100,631 B2	8/2021	Yates et al.	11,202,631 B2	12/2021	Shelton, IV et al.
11,103,241 B2	8/2021	Yates et al.	11,202,633 B2	12/2021	Harris et al.
11,103,248 B2	8/2021	Shelton, IV et al.	11,207,064 B2	12/2021	Shelton, IV et al.
11,103,268 B2	8/2021	Shelton, IV et al.	11,207,065 B2	12/2021	Harris et al.
11,103,269 B2	8/2021	Shelton, IV et al.	11,207,067 B2	12/2021	Shelton, IV et al.
11,109,858 B2	9/2021	Shelton, IV et al.	11,207,090 B2	12/2021	Shelton, IV et al.
11,109,859 B2	9/2021	Overmyer et al.	11,207,146 B2	12/2021	Shelton, IV et al.
11,109,860 B2	9/2021	Shelton, IV et al.	11,213,293 B2	1/2022	Worthington et al.
11,109,866 B2	9/2021	Shelton, IV et al.	11,213,294 B2	1/2022	Shelton, IV et al.
11,109,878 B2	9/2021	Shelton, IV et al.	11,213,302 B2	1/2022	Parfett et al.
11,109,925 B2	9/2021	Cooper et al.	11,213,359 B2	1/2022	Shelton, IV et al.
11,116,485 B2	9/2021	Scheib et al.	11,219,453 B2	1/2022	Shelton, IV et al.
11,116,502 B2	9/2021	Shelton, IV et al.	11,219,455 B2	1/2022	Shelton, IV et al.
11,123,069 B2	9/2021	Baxter, III et al.	11,224,423 B2	1/2022	Shelton, IV et al.
11,123,070 B2	9/2021	Shelton, IV et al.	11,224,426 B2	1/2022	Shelton, IV et al.
11,129,611 B2	9/2021	Shelton, IV et al.	11,224,427 B2	1/2022	Shelton, IV et al.
11,129,613 B2	9/2021	Harris et al.	11,224,428 B2	1/2022	Scott et al.
11,129,615 B2	9/2021	Scheib et al.	11,224,454 B2	1/2022	Shelton, IV et al.
11,129,616 B2	9/2021	Shelton, IV et al.	11,224,497 B2	1/2022	Shelton, IV et al.
11,129,634 B2	9/2021	Scheib et al.	11,229,436 B2	1/2022	Shelton, IV et al.
11,129,636 B2	9/2021	Shelton, IV et al.	11,229,437 B2	1/2022	Shelton, IV et al.
11,129,666 B2	9/2021	Messerly et al.	11,234,698 B2	2/2022	Shelton, IV et al.
11,129,680 B2	9/2021	Shelton, IV et al.	11,234,700 B2	2/2022	Ragosta et al.
11,132,462 B2	9/2021	Shelton, IV et al.	11,241,229 B2	2/2022	Shelton, IV et al.
11,133,106 B2	9/2021	Shelton, IV et al.	11,241,230 B2	2/2022	Shelton, IV et al.
11,134,938 B2	10/2021	Timm et al.	11,241,235 B2	2/2022	Shelton, IV et al.
11,134,940 B2	10/2021	Shelton, IV et al.	11,246,590 B2	2/2022	Swayze et al.
11,134,942 B2	10/2021	Harris et al.	11,246,592 B2	2/2022	Shelton, IV et al.
11,134,943 B2	10/2021	Giordano et al.	11,246,616 B2	2/2022	Shelton, IV et al.
			11,246,618 B2	2/2022	Hall et al.
			11,246,678 B2	2/2022	Shelton, IV et al.
			11,253,254 B2	2/2022	Kimball et al.
			11,253,256 B2	2/2022	Harris et al.

(56)

References Cited

U.S. PATENT DOCUMENTS

11,259,799 B2	3/2022	Overmyer et al.	11,369,368 B2	6/2022	Shelton, IV et al.
11,259,803 B2	3/2022	Shelton, IV et al.	11,369,376 B2	6/2022	Simms et al.
11,259,805 B2	3/2022	Shelton, IV et al.	11,369,377 B2	6/2022	Boudreaux et al.
11,259,806 B2	3/2022	Shelton, IV et al.	11,373,755 B2	6/2022	Shelton, IV et al.
11,259,807 B2	3/2022	Shelton, IV et al.	11,376,001 B2	7/2022	Shelton, IV et al.
11,266,405 B2	3/2022	Shelton, IV et al.	11,376,098 B2	7/2022	Shelton, IV et al.
11,266,406 B2	3/2022	Leimbach et al.	11,382,625 B2	7/2022	Huitema et al.
11,266,409 B2	3/2022	Huitema et al.	11,382,626 B2	7/2022	Shelton, IV et al.
11,266,410 B2	3/2022	Shelton, IV et al.	11,382,627 B2	7/2022	Huitema et al.
11,266,468 B2	3/2022	Shelton, IV et al.	11,382,628 B2	7/2022	Baxter, III et al.
11,272,927 B2	3/2022	Swayze et al.	11,382,638 B2	7/2022	Harris et al.
11,272,928 B2	3/2022	Shelton, IV	11,382,697 B2	7/2022	Shelton, IV et al.
11,272,931 B2	3/2022	Boudreaux et al.	11,389,160 B2	7/2022	Shelton, IV et al.
11,272,938 B2	3/2022	Shelton, IV et al.	11,389,161 B2	7/2022	Shelton, IV et al.
11,278,279 B2	3/2022	Morgan et al.	11,389,162 B2	7/2022	Baber et al.
11,278,280 B2	3/2022	Shelton, IV et al.	11,389,164 B2	7/2022	Yates et al.
11,278,284 B2	3/2022	Shelton, IV et al.	11,395,651 B2	7/2022	Shelton, IV et al.
11,284,890 B2	3/2022	Nalagatla et al.	11,395,652 B2	7/2022	Parihar et al.
11,284,891 B2	3/2022	Shelton, IV et al.	11,399,828 B2	8/2022	Swayze et al.
11,284,898 B2	3/2022	Baxter, III et al.	11,399,829 B2	8/2022	Leimbach et al.
11,284,953 B2	3/2022	Shelton, IV et al.	11,399,831 B2	8/2022	Overmyer et al.
11,291,440 B2	4/2022	Harris et al.	11,399,837 B2	8/2022	Shelton, IV et al.
11,291,441 B2	4/2022	Giordano et al.	2001/0000531 A1	4/2001	Casscells et al.
11,291,444 B2	4/2022	Boudreaux et al.	2001/0025183 A1	9/2001	Shahidi
11,291,445 B2	4/2022	Shelton, IV et al.	2001/0025184 A1	9/2001	Messerly
11,291,447 B2	4/2022	Shelton, IV et al.	2001/0034530 A1	10/2001	Malackowski et al.
11,291,449 B2	4/2022	Swensgard et al.	2002/0014510 A1	2/2002	Richter et al.
11,291,451 B2	4/2022	Shelton, IV	2002/0022810 A1	2/2002	Urich
11,291,465 B2	4/2022	Parihar et al.	2002/0022836 A1	2/2002	Goble et al.
11,291,510 B2	4/2022	Shelton, IV et al.	2002/0022861 A1	2/2002	Jacobs et al.
11,298,125 B2	4/2022	Ming et al.	2002/0023126 A1	2/2002	Flavin
11,298,127 B2	4/2022	Shelton, IV	2002/0029032 A1	3/2002	Arkin
11,298,128 B2	4/2022	Messerly et al.	2002/0029036 A1	3/2002	Goble et al.
11,298,129 B2	4/2022	Bakos et al.	2002/0042620 A1	4/2002	Julian et al.
11,298,130 B2	4/2022	Bakos et al.	2002/0087048 A1	7/2002	Brock et al.
11,298,132 B2	4/2022	Shelton, IV et al.	2002/0091374 A1	7/2002	Cooper
11,298,134 B2	4/2022	Huitema et al.	2002/0095175 A1	7/2002	Brock et al.
11,304,695 B2	4/2022	Shelton, IV et al.	2002/0103494 A1	8/2002	Pacey
11,304,696 B2	4/2022	Shelton, IV et al.	2002/0111624 A1	8/2002	Witt et al.
11,304,699 B2	4/2022	Shelton, IV et al.	2002/0116063 A1	8/2002	Giannetti et al.
11,304,704 B2	4/2022	Thomas et al.	2002/0117534 A1	8/2002	Green et al.
11,311,290 B2	4/2022	Shelton, IV et al.	2002/0127265 A1	9/2002	Bowman et al.
11,311,292 B2	4/2022	Shelton, IV et al.	2002/0128633 A1	9/2002	Brock et al.
11,311,294 B2	4/2022	Swayze et al.	2002/0134811 A1	9/2002	Napier et al.
11,311,342 B2	4/2022	Parihar et al.	2002/0135474 A1	9/2002	Sylliassen
D950,728 S	5/2022	Bakos et al.	2002/0138086 A1	9/2002	Sixto et al.
D952,144 S	5/2022	Boudreaux	2002/0143340 A1	10/2002	Kaneko
11,317,910 B2	5/2022	Miller et al.	2002/0151770 A1	10/2002	Noll et al.
11,317,913 B2	5/2022	Shelton, IV et al.	2002/0158593 A1	10/2002	Henderson et al.
11,317,915 B2	5/2022	Boudreaux et al.	2002/0161277 A1	10/2002	Boone et al.
11,317,917 B2	5/2022	Shelton, IV et al.	2002/0177848 A1	11/2002	Truckai et al.
11,317,919 B2	5/2022	Shelton, IV et al.	2002/0185514 A1	12/2002	Adams et al.
11,324,501 B2	5/2022	Shelton, IV et al.	2002/0188170 A1	12/2002	Santamore et al.
11,324,503 B2	5/2022	Shelton, IV et al.	2002/0188287 A1	12/2002	Zvuloni et al.
11,324,506 B2	5/2022	Beckman et al.	2003/0009193 A1	1/2003	Corsaro
11,324,557 B2	5/2022	Shelton, IV et al.	2003/0011245 A1	1/2003	Fiebig
11,331,100 B2	5/2022	Boudreaux et al.	2003/0012805 A1	1/2003	Chen et al.
11,331,101 B2	5/2022	Harris et al.	2003/0028236 A1	2/2003	Gillick et al.
11,337,691 B2	5/2022	Widenhouse et al.	2003/0040670 A1	2/2003	Govari
11,337,693 B2	5/2022	Hess et al.	2003/0045835 A1	3/2003	Anderson et al.
11,337,698 B2	5/2022	Baxter, III et al.	2003/0047230 A1	3/2003	Kim
11,344,299 B2	5/2022	Yates et al.	2003/0047582 A1	3/2003	Sonnenschein et al.
11,344,303 B2	5/2022	Shelton, IV et al.	2003/0050654 A1	3/2003	Whitman et al.
11,350,843 B2	6/2022	Shelton, IV et al.	2003/0066858 A1	4/2003	Holgersson
11,350,916 B2	6/2022	Shelton, IV et al.	2003/0078647 A1	4/2003	Vallana et al.
11,350,928 B2	6/2022	Shelton, IV et al.	2003/0083648 A1	5/2003	Wang et al.
11,350,929 B2	6/2022	Giordano et al.	2003/0084983 A1	5/2003	Rangachari et al.
11,350,932 B2	6/2022	Shelton, IV et al.	2003/0093103 A1	5/2003	Malackowski et al.
11,350,934 B2	6/2022	Bakos et al.	2003/0094356 A1	5/2003	Waldron
11,350,935 B2	6/2022	Shelton, IV et al.	2003/0096158 A1	5/2003	Takano et al.
11,350,938 B2	6/2022	Shelton, IV et al.	2003/0114851 A1	6/2003	Truckai et al.
11,357,503 B2	6/2022	Bakos et al.	2003/0121586 A1	7/2003	Mitra et al.
11,361,176 B2	6/2022	Shelton, IV et al.	2003/0139741 A1	7/2003	Goble et al.
11,364,027 B2	6/2022	Harris et al.	2003/0144660 A1	7/2003	Mollenauer
11,364,046 B2	6/2022	Shelton, IV et al.	2003/0149406 A1	8/2003	Martineau et al.
			2003/0153908 A1	8/2003	Goble et al.
			2003/0153968 A1	8/2003	Geis et al.
			2003/0163029 A1	8/2003	Sonnenschein et al.
			2003/0163085 A1	8/2003	Tanner et al.

(56)

References Cited

U.S. PATENT DOCUMENTS

2003/0164172	A1	9/2003	Chumas et al.	2005/0010213	A1	1/2005	Stad et al.
2003/0181800	A1	9/2003	Bonutti	2005/0021078	A1	1/2005	Vleugels et al.
2003/0181900	A1	9/2003	Long	2005/0023325	A1	2/2005	Gresham et al.
2003/0190584	A1	10/2003	Heasley	2005/0032511	A1	2/2005	Malone et al.
2003/0195387	A1	10/2003	Kortenbach et al.	2005/0033352	A1	2/2005	Zepf et al.
2003/0205029	A1	11/2003	Chapolini et al.	2005/0051163	A1	3/2005	Deem et al.
2003/0212005	A1	11/2003	Petito et al.	2005/0054946	A1	3/2005	Krzyzanowski
2003/0216732	A1	11/2003	Truckai et al.	2005/0057225	A1	3/2005	Marquet
2003/0236505	A1	12/2003	Bonadio et al.	2005/0058890	A1	3/2005	Brazell et al.
2004/0006335	A1	1/2004	Garrison	2005/0059997	A1	3/2005	Bauman et al.
2004/0006340	A1	1/2004	Latterell et al.	2005/0067548	A1	3/2005	Inoue
2004/0007608	A1	1/2004	Ehrenfels et al.	2005/0070929	A1	3/2005	Dalessandro et al.
2004/0024457	A1	2/2004	Boyce et al.	2005/0075561	A1	4/2005	Golden
2004/0028502	A1	2/2004	Cummins	2005/0079088	A1	4/2005	Wirth et al.
2004/0030333	A1	2/2004	Goble	2005/0080342	A1	4/2005	Gilreath et al.
2004/0034287	A1	2/2004	Hickle	2005/0085693	A1	4/2005	Belson et al.
2004/0034357	A1	2/2004	Beane et al.	2005/0090709	A1	4/2005	Okada et al.
2004/0044295	A1	3/2004	Reinert et al.	2005/0090817	A1	4/2005	Phan
2004/0044364	A1	3/2004	DeVries et al.	2005/0096683	A1	5/2005	Ellins et al.
2004/0049121	A1	3/2004	Yaron	2005/0116673	A1	6/2005	Carl et al.
2004/0049172	A1	3/2004	Root et al.	2005/0120836	A1	6/2005	Anderson
2004/0059362	A1	3/2004	Knodel et al.	2005/0124855	A1	6/2005	Jaffe et al.
2004/0068161	A1	4/2004	Couvillon	2005/0125897	A1	6/2005	Wyslucha et al.
2004/0068224	A1	4/2004	Couvillon et al.	2005/0129735	A1	6/2005	Cook et al.
2004/0068307	A1	4/2004	Goble	2005/0130682	A1	6/2005	Takara et al.
2004/0070369	A1	4/2004	Sakakibara	2005/0131173	A1	6/2005	McDaniel et al.
2004/0073222	A1	4/2004	Koseki	2005/0131211	A1	6/2005	Bayley et al.
2004/0078037	A1	4/2004	Batchelor et al.	2005/0131390	A1	6/2005	Heinrich et al.
2004/0082952	A1	4/2004	Dycus et al.	2005/0131436	A1	6/2005	Johnston et al.
2004/0085180	A1	5/2004	Juang	2005/0131457	A1	6/2005	Douglas et al.
2004/0092992	A1	5/2004	Adams et al.	2005/0137454	A1	6/2005	Saadat et al.
2004/0093020	A1	5/2004	Sinton	2005/0137455	A1	6/2005	Ewers et al.
2004/0093024	A1	5/2004	Lousararian et al.	2005/0139636	A1	6/2005	Schwemberger et al.
2004/0098040	A1	5/2004	Taniguchi et al.	2005/0143759	A1	6/2005	Kelly
2004/0101822	A1	5/2004	Wiesner et al.	2005/0143769	A1	6/2005	White et al.
2004/0102783	A1	5/2004	Sutterlin et al.	2005/0145671	A1	7/2005	Viola
2004/0108357	A1	6/2004	Milliman et al.	2005/0145672	A1	7/2005	Schwemberger et al.
2004/0110439	A1	6/2004	Chaikof et al.	2005/0150928	A1	7/2005	Kameyama et al.
2004/0115022	A1	6/2004	Albertson et al.	2005/0154258	A1	7/2005	Tartaglia et al.
2004/0116952	A1	6/2004	Sakurai et al.	2005/0154406	A1	7/2005	Bombard et al.
2004/0119185	A1	6/2004	Chen	2005/0159778	A1	7/2005	Heinrich et al.
2004/0122419	A1	6/2004	Neuberger	2005/0165419	A1	7/2005	Sauer et al.
2004/0122423	A1	6/2004	Dycus et al.	2005/0169974	A1	8/2005	Tenerz et al.
2004/0133095	A1	7/2004	Dunki-Jacobs et al.	2005/0171522	A1	8/2005	Christopherson
2004/0133189	A1	7/2004	Sakurai	2005/0177176	A1	8/2005	Gerbi et al.
2004/0143297	A1	7/2004	Ramsey	2005/0177181	A1	8/2005	Kagan et al.
2004/0147909	A1	7/2004	Johnston et al.	2005/0177249	A1	8/2005	Kladakis et al.
2004/0153100	A1	8/2004	Ahlberg et al.	2005/0182298	A1	8/2005	Ikeda et al.
2004/0158261	A1	8/2004	Vu	2005/0182443	A1	8/2005	Jonn et al.
2004/0164123	A1	8/2004	Racenet et al.	2005/0184121	A1	8/2005	Heinrich
2004/0166169	A1	8/2004	Malaviya et al.	2005/0186240	A1	8/2005	Ringeisen et al.
2004/0167572	A1	8/2004	Roth et al.	2005/0187545	A1	8/2005	Hooven et al.
2004/0181219	A1	9/2004	Goble et al.	2005/0191936	A1	9/2005	Marine et al.
2004/0193189	A1	9/2004	Kortenbach et al.	2005/0203550	A1	9/2005	Laufer et al.
2004/0197367	A1	10/2004	Rezania et al.	2005/0209614	A1	9/2005	Fenter et al.
2004/0199181	A1	10/2004	Knodel et al.	2005/0216055	A1	9/2005	Scirica et al.
2004/0204735	A1	10/2004	Shiroff et al.	2005/0222587	A1	10/2005	Jinno et al.
2004/0218451	A1	11/2004	Said et al.	2005/0222611	A1	10/2005	Weitkamp
2004/0222268	A1	11/2004	Bilotti et al.	2005/0222616	A1	10/2005	Rethy et al.
2004/0225186	A1	11/2004	Horne et al.	2005/0222665	A1	10/2005	Aranyi
2004/0232201	A1	11/2004	Wenchell et al.	2005/0228224	A1	10/2005	Okada et al.
2004/0236352	A1	11/2004	Wang et al.	2005/0228446	A1	10/2005	Mooradian et al.
2004/0239582	A1	12/2004	Seymour	2005/0230453	A1	10/2005	Viola
2004/0243147	A1	12/2004	Lipow	2005/0240178	A1	10/2005	Morley et al.
2004/0243151	A1	12/2004	Demmy et al.	2005/0242950	A1	11/2005	Lindsay et al.
2004/0243163	A1	12/2004	Casiano et al.	2005/0245965	A1	11/2005	Orban, III et al.
2004/0247415	A1	12/2004	Mangone	2005/0246881	A1	11/2005	Kelly et al.
2004/0249366	A1	12/2004	Kunz	2005/0251063	A1	11/2005	Basude
2004/0254455	A1	12/2004	Iddan	2005/0256452	A1	11/2005	DeMarchi et al.
2004/0254566	A1	12/2004	Plicchi et al.	2005/0256546	A1	11/2005	Vaisnys et al.
2004/0254590	A1	12/2004	Hoffman et al.	2005/0258963	A1	11/2005	Rodriguez et al.
2004/0254680	A1	12/2004	Sunaoshi	2005/0261676	A1	11/2005	Hall et al.
2004/0260315	A1	12/2004	Dell et al.	2005/0263563	A1	12/2005	Racenet et al.
2004/0267310	A1	12/2004	Racenet et al.	2005/0267455	A1	12/2005	Eggers et al.
2005/0010158	A1	1/2005	Brugger et al.	2005/0274034	A1	12/2005	Hayashida et al.
				2005/0283188	A1	12/2005	Loshakove et al.
				2005/0283226	A1	12/2005	Haverkost
				2006/0008787	A1	1/2006	Hayman et al.
				2006/0011698	A1	1/2006	Okada et al.

(56)

References Cited

U.S. PATENT DOCUMENTS

2006/0015009	A1	1/2006	Jaffe et al.	2007/0049966	A1	3/2007	Bonadio et al.
2006/0020167	A1	1/2006	Sitzmann	2007/0051375	A1	3/2007	Milliman
2006/0020258	A1	1/2006	Strauss et al.	2007/0055228	A1	3/2007	Berg et al.
2006/0020336	A1	1/2006	Liddicoat	2007/0055305	A1	3/2007	Schnyder et al.
2006/0025812	A1	2/2006	Shelton	2007/0073341	A1	3/2007	Smith et al.
2006/0041188	A1	2/2006	Dirusso et al.	2007/0073389	A1	3/2007	Bolduc et al.
2006/0047275	A1	3/2006	Goble	2007/0078328	A1	4/2007	Ozaki et al.
2006/0049229	A1	3/2006	Milliman et al.	2007/0078484	A1	4/2007	Talarico et al.
2006/0052824	A1	3/2006	Ransick et al.	2007/0084897	A1	4/2007	Shelton et al.
2006/0052825	A1	3/2006	Ransick et al.	2007/0088376	A1	4/2007	Zacharias
2006/0064086	A1	3/2006	Odom	2007/0090788	A1	4/2007	Hansford et al.
2006/0079735	A1	4/2006	Martone et al.	2007/0093869	A1	4/2007	Bloom et al.
2006/0079874	A1	4/2006	Faller et al.	2007/0102472	A1	5/2007	Shelton
2006/0079879	A1	4/2006	Faller et al.	2007/0103437	A1	5/2007	Rosenberg
2006/0086032	A1	4/2006	Valencic et al.	2007/0106113	A1	5/2007	Ravo
2006/0087746	A1	4/2006	Lipow	2007/0106317	A1	5/2007	Shelton et al.
2006/0089535	A1	4/2006	Raz et al.	2007/0118115	A1	5/2007	Artale et al.
2006/0097699	A1	5/2006	Kamenoff	2007/0134251	A1	6/2007	Ashkenazi et al.
2006/0100643	A1	5/2006	Lauffer et al.	2007/0135686	A1	6/2007	Pruitt et al.
2006/0100649	A1	5/2006	Hart	2007/0135803	A1	6/2007	Belson
2006/0106369	A1	5/2006	Desai et al.	2007/0152612	A1	7/2007	Chen et al.
2006/0111711	A1	5/2006	Goble	2007/0152829	A1	7/2007	Lindsay et al.
2006/0111723	A1	5/2006	Chapolini et al.	2007/0155010	A1	7/2007	Farnsworth et al.
2006/0116634	A1	6/2006	Shachar	2007/0170225	A1	7/2007	Shelton et al.
2006/0142772	A1	6/2006	Ralph et al.	2007/0173687	A1	7/2007	Shima et al.
2006/0144898	A1	7/2006	Bilotti et al.	2007/0173813	A1	7/2007	Odom
2006/0154546	A1	7/2006	Murphy et al.	2007/0173872	A1	7/2007	Neuenfeldt
2006/0161050	A1	7/2006	Butler et al.	2007/0175950	A1	8/2007	Shelton et al.
2006/0161185	A1	7/2006	Saadat et al.	2007/0175951	A1	8/2007	Shelton et al.
2006/0167471	A1	7/2006	Phillips	2007/0175955	A1	8/2007	Shelton et al.
2006/0173290	A1	8/2006	Lavallee et al.	2007/0179477	A1	8/2007	Danger
2006/0173470	A1	8/2006	Oray et al.	2007/0185545	A1	8/2007	Duke
2006/0176031	A1	8/2006	Forman et al.	2007/0187857	A1	8/2007	Riley et al.
2006/0176242	A1	8/2006	Jaramaz et al.	2007/0190110	A1	8/2007	Pameijer et al.
2006/0178556	A1	8/2006	Hasser et al.	2007/0191868	A1	8/2007	Theroux et al.
2006/0180633	A1	8/2006	Emmons	2007/0191915	A1	8/2007	Strother et al.
2006/0180634	A1	8/2006	Shelton et al.	2007/0194079	A1	8/2007	Hueil et al.
2006/0185682	A1	8/2006	Marczyk	2007/0194082	A1	8/2007	Morgan et al.
2006/0199999	A1	9/2006	Ikeda et al.	2007/0197954	A1	8/2007	Keenan
2006/0201989	A1	9/2006	Ojeda	2007/0198039	A1	8/2007	Jones et al.
2006/0206100	A1	9/2006	Eskridge et al.	2007/0203510	A1	8/2007	Bettuchi
2006/0217729	A1	9/2006	Eskridge et al.	2007/0207010	A1	9/2007	Caspi
2006/0226957	A1	10/2006	Miller et al.	2007/0208359	A1	9/2007	Hoffman
2006/0235368	A1	10/2006	Oz	2007/0208375	A1	9/2007	Nishizawa et al.
2006/0241666	A1	10/2006	Briggs et al.	2007/0213750	A1	9/2007	Weadock
2006/0244460	A1	11/2006	Weaver	2007/0225562	A1	9/2007	Spivey et al.
2006/0247584	A1	11/2006	Sheetz et al.	2007/0233163	A1	10/2007	Bombard et al.
2006/0252981	A1	11/2006	Matsuda et al.	2007/0243227	A1	10/2007	Gertner
2006/0252990	A1	11/2006	Kubach	2007/0244471	A1	10/2007	Malackowski
2006/0252993	A1	11/2006	Freed et al.	2007/0244496	A1	10/2007	Hellenkamp
2006/0258904	A1	11/2006	Stefanchik et al.	2007/0246505	A1	10/2007	Pace-Florida et al.
2006/0259073	A1	11/2006	Miyamoto et al.	2007/0260132	A1	11/2007	Sterling
2006/0261763	A1	11/2006	Iott et al.	2007/0262592	A1	11/2007	Hwang et al.
2006/0263444	A1	11/2006	Ming et al.	2007/0270660	A1	11/2007	Caylor et al.
2006/0264831	A1	11/2006	Skwarek et al.	2007/0275035	A1	11/2007	Herman et al.
2006/0264929	A1	11/2006	Goble et al.	2007/0276409	A1	11/2007	Ortiz et al.
2006/0271042	A1	11/2006	Latterell et al.	2007/0279011	A1	12/2007	Jones et al.
2006/0271102	A1	11/2006	Bosshard et al.	2007/0286892	A1	12/2007	Herzberg et al.
2006/0282064	A1	12/2006	Shimizu et al.	2007/0290027	A1	12/2007	Maatta et al.
2006/0284730	A1	12/2006	Schmid et al.	2007/0296286	A1	12/2007	Avenell
2006/0287576	A1	12/2006	Tsuji et al.	2008/0000941	A1	1/2008	Sonnenschein et al.
2006/0289602	A1	12/2006	Wales et al.	2008/0003196	A1	1/2008	Jonn et al.
2006/0291981	A1	12/2006	Viola et al.	2008/0007237	A1	1/2008	Nagashima et al.
2007/0005045	A1	1/2007	Mintz et al.	2008/0015598	A1	1/2008	Prommersberger
2007/0009570	A1	1/2007	Kim et al.	2008/0021486	A1	1/2008	Oyola et al.
2007/0010702	A1	1/2007	Wang et al.	2008/0029570	A1	2/2008	Shelton et al.
2007/0010838	A1	1/2007	Shelton et al.	2008/0029573	A1	2/2008	Shelton et al.
2007/0016235	A1	1/2007	Tanaka et al.	2008/0029574	A1	2/2008	Shelton et al.
2007/0018958	A1	1/2007	Tavakoli et al.	2008/0029575	A1	2/2008	Shelton et al.
2007/0026039	A1	2/2007	Drumheller et al.	2008/0030170	A1	2/2008	Dacquay et al.
2007/0026040	A1	2/2007	Crawley et al.	2008/0039746	A1	2/2008	Hissong et al.
2007/0027468	A1	2/2007	Wales et al.	2008/0042861	A1	2/2008	Dacquay et al.
2007/0027551	A1	2/2007	Farnsworth et al.	2008/0051833	A1	2/2008	Gramuglia et al.
2007/0043387	A1	2/2007	Vargas et al.	2008/0064920	A1	3/2008	Bakos et al.
2007/0049951	A1	3/2007	Menn	2008/0064921	A1	3/2008	Larkin et al.
				2008/0065153	A1	3/2008	Allard et al.
				2008/0069736	A1	3/2008	Mingerink et al.
				2008/0071328	A1	3/2008	Haubrich et al.
				2008/0077158	A1	3/2008	Haider et al.

(56)

References Cited

U.S. PATENT DOCUMENTS

2008/0078802	A1	4/2008	Hess et al.	2009/0076506	A1	3/2009	Baker
2008/0081948	A1	4/2008	Weisenburgh et al.	2009/0078736	A1	3/2009	Van Lue
2008/0082114	A1	4/2008	McKenna et al.	2009/0081313	A1	3/2009	Aghion et al.
2008/0082125	A1	4/2008	Murray et al.	2009/0088659	A1	4/2009	Graham et al.
2008/0082126	A1	4/2008	Murray et al.	2009/0090763	A1	4/2009	Zemlok et al.
2008/0083807	A1	4/2008	Beardsley et al.	2009/0099579	A1	4/2009	Nentwick et al.
2008/0083811	A1	4/2008	Marczyk	2009/0099876	A1	4/2009	Whitman
2008/0085296	A1	4/2008	Powell et al.	2009/0110533	A1	4/2009	Jinno
2008/0086078	A1	4/2008	Powell et al.	2009/0112234	A1	4/2009	Crainich et al.
2008/0091072	A1	4/2008	Omori et al.	2009/0114701	A1	5/2009	Zemlok et al.
2008/0108443	A1	5/2008	Jinno et al.	2009/0118762	A1	5/2009	Crainch et al.
2008/0114250	A1	5/2008	Urbano et al.	2009/0119011	A1	5/2009	Kondo et al.
2008/0125634	A1	5/2008	Ryan et al.	2009/0131819	A1	5/2009	Ritchie et al.
2008/0125749	A1	5/2008	Olson	2009/0132400	A1	5/2009	Conway
2008/0128469	A1	6/2008	Dalessandro et al.	2009/0135280	A1	5/2009	Johnston et al.
2008/0129253	A1	6/2008	Shiue et al.	2009/0138003	A1	5/2009	Deville et al.
2008/0135600	A1	6/2008	Hiranuma et al.	2009/0143797	A1	6/2009	Smith et al.
2008/0140115	A1	6/2008	Stopek	2009/0143855	A1	6/2009	Weber et al.
2008/0140159	A1	6/2008	Bornhoft et al.	2009/0149871	A9	6/2009	Kagan et al.
2008/0149682	A1	6/2008	Uhm	2009/0167548	A1	7/2009	Sugahara
2008/0154299	A1	6/2008	Livneh	2009/0171147	A1	7/2009	Lee et al.
2008/0154335	A1	6/2008	Thrope et al.	2009/0177218	A1	7/2009	Young et al.
2008/0169328	A1	7/2008	Shelton	2009/0177226	A1	7/2009	Reinprecht et al.
2008/0169332	A1	7/2008	Shelton et al.	2009/0181290	A1	7/2009	Baldwin et al.
2008/0169333	A1	7/2008	Shelton et al.	2009/0188964	A1	7/2009	Orlov
2008/0172087	A1	7/2008	Fuchs et al.	2009/0192534	A1	7/2009	Ortiz et al.
2008/0177392	A1	7/2008	Williams et al.	2009/0198272	A1	8/2009	Kerver et al.
2008/0190989	A1	8/2008	Crews et al.	2009/0204108	A1	8/2009	Steffen
2008/0196253	A1	8/2008	Ezra et al.	2009/0204109	A1	8/2009	Grove et al.
2008/0196419	A1	8/2008	Dube	2009/0204126	A1	8/2009	Le
2008/0197167	A1	8/2008	Viola et al.	2009/0206125	A1	8/2009	Huitema et al.
2008/0200755	A1	8/2008	Bakos	2009/0206126	A1	8/2009	Huitema et al.
2008/0200762	A1	8/2008	Stokes et al.	2009/0206131	A1	8/2009	Weisenburgh, II et al.
2008/0200835	A1	8/2008	Monson et al.	2009/0206133	A1	8/2009	Morgan et al.
2008/0200911	A1	8/2008	Long	2009/0206137	A1	8/2009	Hall et al.
2008/0200933	A1	8/2008	Bakos et al.	2009/0206139	A1	8/2009	Hall et al.
2008/0200934	A1	8/2008	Fox	2009/0206141	A1	8/2009	Huitema et al.
2008/0206186	A1	8/2008	Butler et al.	2009/0206142	A1	8/2009	Huitema et al.
2008/0208058	A1	8/2008	Sabata et al.	2009/0221993	A1	9/2009	Sohi et al.
2008/0216704	A1	9/2008	Eisenbeis et al.	2009/0227834	A1	9/2009	Nakamoto et al.
2008/0234709	A1	9/2008	Houser	2009/0234273	A1	9/2009	Intoccia et al.
2008/0234866	A1	9/2008	Kishi et al.	2009/0242610	A1	10/2009	Shelton, IV et al.
2008/0242939	A1	10/2008	Johnston	2009/0246873	A1	10/2009	Yamamoto et al.
2008/0243088	A1	10/2008	Evans	2009/0247368	A1	10/2009	Chiang
2008/0249536	A1	10/2008	Stahler et al.	2009/0247901	A1	10/2009	Zimmer
2008/0249608	A1	10/2008	Dave	2009/0248100	A1	10/2009	Vaisnys et al.
2008/0255413	A1	10/2008	Zemlok et al.	2009/0253959	A1	10/2009	Yoshie et al.
2008/0255420	A1	10/2008	Lee et al.	2009/0255974	A1	10/2009	Viola
2008/0255663	A1	10/2008	Akpek et al.	2009/0261141	A1	10/2009	Stratton et al.
2008/0262654	A1	10/2008	Omori et al.	2009/0262078	A1	10/2009	Pizzi
2008/0269596	A1	10/2008	Revie et al.	2009/0270895	A1	10/2009	Churchill et al.
2008/0281171	A1	11/2008	Fennell et al.	2009/0273353	A1	11/2009	Kroh et al.
2008/0281332	A1	11/2008	Taylor	2009/0277288	A1	11/2009	Doepker et al.
2008/0287944	A1	11/2008	Pearson et al.	2009/0278406	A1	11/2009	Hoffman
2008/0293910	A1	11/2008	Kapiamba et al.	2009/0290016	A1	11/2009	Suda
2008/0294179	A1	11/2008	Balbierz et al.	2009/0292283	A1	11/2009	Odom
2008/0296346	A1	12/2008	Shelton, IV et al.	2009/0306639	A1	12/2009	Nevo et al.
2008/0297287	A1	12/2008	Shachar et al.	2009/0308907	A1	12/2009	Nalagatla et al.
2008/0298784	A1	12/2008	Kastner	2009/0318557	A1	12/2009	Stockel
2008/0308504	A1	12/2008	Hallan et al.	2009/0325859	A1	12/2009	Ameer et al.
2008/0308602	A1	12/2008	Timm et al.	2010/0005035	A1	1/2010	Carpenter et al.
2008/0308603	A1	12/2008	Shelton et al.	2010/0012703	A1	1/2010	Calabrese et al.
2008/0308807	A1	12/2008	Yamazaki et al.	2010/0015104	A1	1/2010	Fraser et al.
2008/0312686	A1	12/2008	Ellingwood	2010/0016853	A1	1/2010	Burbank
2008/0312687	A1	12/2008	Blier	2010/0016888	A1	1/2010	Calabrese et al.
2008/0315829	A1	12/2008	Jones et al.	2010/0017715	A1	1/2010	Balassanian
2009/0001121	A1	1/2009	Hess et al.	2010/0023024	A1	1/2010	Zeiner et al.
2009/0001130	A1	1/2009	Hess et al.	2010/0030233	A1	2/2010	Whitman et al.
2009/0004455	A1	1/2009	Gravagna et al.	2010/0030239	A1	2/2010	Viola et al.
2009/0005809	A1	1/2009	Hess et al.	2010/0032179	A1	2/2010	Hanspers et al.
2009/0012534	A1	1/2009	Madhani et al.	2010/0036370	A1	2/2010	Mirel et al.
2009/0015195	A1	1/2009	Loth-Krausser	2010/0051668	A1	3/2010	Milliman et al.
2009/0020958	A1	1/2009	Soul	2010/0057118	A1	3/2010	Dietz et al.
2009/0048583	A1	2/2009	Williams et al.	2010/0065604	A1	3/2010	Weng
2009/0048589	A1	2/2009	Takashino et al.	2010/0069833	A1	3/2010	Wenderow et al.
				2010/0069942	A1	3/2010	Shelton, IV
				2010/0076483	A1	3/2010	Imuta
				2010/0076489	A1	3/2010	Stopek et al.
				2010/0081883	A1	4/2010	Murray et al.

(56)

References Cited

U.S. PATENT DOCUMENTS

2010/0094340	A1	4/2010	Stopek et al.	2011/0129706	A1	6/2011	Takahashi et al.
2010/0094400	A1	4/2010	Bolduc et al.	2011/0144764	A1	6/2011	Bagga et al.
2010/0100123	A1	4/2010	Bennett	2011/0147433	A1	6/2011	Shelton, IV et al.
2010/0100124	A1	4/2010	Calabrese et al.	2011/0160725	A1	6/2011	Kabaya et al.
2010/0116519	A1	5/2010	Gareis	2011/0163146	A1	7/2011	Ortiz et al.
2010/0122339	A1	5/2010	Boccacci	2011/0172495	A1	7/2011	Armstrong
2010/0133317	A1	6/2010	Shelton, IV et al.	2011/0174861	A1	7/2011	Shelton, IV et al.
2010/0137990	A1	6/2010	Apatsidis et al.	2011/0192882	A1	8/2011	Hess et al.
2010/0138659	A1	6/2010	Carmichael et al.	2011/0199225	A1	8/2011	Touchberry et al.
2010/0145146	A1	6/2010	Melder	2011/0218400	A1	9/2011	Ma et al.
2010/0147921	A1	6/2010	Olson	2011/0218550	A1	9/2011	Ma
2010/0147922	A1	6/2010	Olson	2011/0220381	A1	9/2011	Friese et al.
2010/0159435	A1	6/2010	Mueller et al.	2011/0224543	A1	9/2011	Johnson et al.
2010/0168741	A1	7/2010	Sanai et al.	2011/0225105	A1	9/2011	Scholer et al.
2010/0179022	A1	7/2010	Shirokoshi	2011/0230713	A1	9/2011	Kleemann et al.
2010/0180711	A1	7/2010	Kilibarda et al.	2011/0235168	A1	9/2011	Sander
2010/0191262	A1	7/2010	Harris et al.	2011/0238044	A1	9/2011	Main et al.
2010/0191292	A1	7/2010	DeMeo et al.	2011/0241597	A1	10/2011	Zhu et al.
2010/0193566	A1	8/2010	Scheib et al.	2011/0251606	A1	10/2011	Kerr
2010/0198159	A1	8/2010	Voss et al.	2011/0256266	A1	10/2011	Orme et al.
2010/0204717	A1	8/2010	Knodel	2011/0271186	A1	11/2011	Owens
2010/0204721	A1	8/2010	Young et al.	2011/0275901	A1	11/2011	Shelton, IV
2010/0217281	A1	8/2010	Matsuoka et al.	2011/0276083	A1	11/2011	Shelton, IV et al.
2010/0222901	A1	9/2010	Swayze et al.	2011/0278343	A1	11/2011	Knodel et al.
2010/0228250	A1	9/2010	Brogna	2011/0279268	A1	11/2011	Konishi et al.
2010/0234687	A1	9/2010	Azarbarzin et al.	2011/0285507	A1	11/2011	Nelson
2010/0241137	A1	9/2010	Doyle et al.	2011/0290856	A1	12/2011	Shelton, IV et al.
2010/0245102	A1	9/2010	Yokoi	2011/0290858	A1	12/2011	Whitman et al.
2010/0249497	A1	9/2010	Peine et al.	2011/0292258	A1	12/2011	Adler et al.
2010/0249947	A1	9/2010	Lesh et al.	2011/0293690	A1	12/2011	Griffin et al.
2010/0256675	A1	10/2010	Romans	2011/0295295	A1	12/2011	Shelton, IV et al.
2010/0258327	A1	10/2010	Esenwein et al.	2011/0295299	A1	12/2011	Braithwaite et al.
2010/0267662	A1	10/2010	Fielder et al.	2011/0313894	A1	12/2011	Dye et al.
2010/0274160	A1	10/2010	Yachi et al.	2011/0315413	A1	12/2011	Fisher et al.
2010/0291184	A1	11/2010	Clark et al.	2012/0004636	A1	1/2012	Lo
2010/0292540	A1	11/2010	Hess et al.	2012/0007442	A1	1/2012	Rhodes et al.
2010/0298636	A1	11/2010	Castro et al.	2012/0008880	A1	1/2012	Toth
2010/0301097	A1	12/2010	Scirica et al.	2012/0016239	A1	1/2012	Barthe et al.
2010/0310623	A1	12/2010	Laurencin et al.	2012/0016413	A1	1/2012	Timm et al.
2010/0312261	A1	12/2010	Suzuki et al.	2012/0016467	A1	1/2012	Chen et al.
2010/0318085	A1	12/2010	Austin et al.	2012/0029272	A1	2/2012	Shelton, IV et al.
2010/0327041	A1	12/2010	Milliman et al.	2012/0033360	A1	2/2012	Hsu
2010/0331856	A1	12/2010	Carlson et al.	2012/0059286	A1	3/2012	Hastings et al.
2011/0006101	A1	1/2011	Hall et al.	2012/0064483	A1	3/2012	Lint et al.
2011/0009694	A1	1/2011	Schultz et al.	2012/0074200	A1	3/2012	Schmid et al.
2011/0011916	A1	1/2011	Levine	2012/0078243	A1	3/2012	Worrell et al.
2011/0016960	A1	1/2011	Debrailly	2012/0078244	A1	3/2012	Worrell et al.
2011/0021871	A1	1/2011	Berkelaar	2012/0080336	A1	4/2012	Shelton, IV et al.
2011/0022032	A1	1/2011	Zemlok et al.	2012/0080344	A1	4/2012	Shelton, IV
2011/0024477	A1	2/2011	Hall	2012/0080478	A1	4/2012	Morgan et al.
2011/0024478	A1	2/2011	Shelton, IV	2012/0080498	A1	4/2012	Shelton, IV et al.
2011/0025311	A1	2/2011	Chauvin et al.	2012/0086276	A1	4/2012	Sawyers
2011/0028991	A1	2/2011	Ikeda et al.	2012/0095458	A1	4/2012	Cybulski et al.
2011/0029270	A1	2/2011	Mueglitz	2012/0109186	A1	5/2012	Parrott et al.
2011/0036891	A1	2/2011	Zemlok et al.	2012/0116261	A1	5/2012	Mumaw et al.
2011/0046667	A1	2/2011	Culligan et al.	2012/0116262	A1	5/2012	Houser et al.
2011/0052660	A1	3/2011	Yang et al.	2012/0116265	A1	5/2012	Houser et al.
2011/0056717	A1	3/2011	Herisse	2012/0116266	A1	5/2012	Houser et al.
2011/0060363	A1	3/2011	Hess et al.	2012/0116381	A1	5/2012	Houser et al.
2011/0066156	A1	3/2011	McGahan et al.	2012/0118595	A1	5/2012	Pellenc
2011/0082538	A1	4/2011	Dahlgren et al.	2012/0123463	A1	5/2012	Jacobs
2011/0087276	A1	4/2011	Bedi et al.	2012/0125792	A1	5/2012	Cassivi
2011/0088921	A1	4/2011	Forgues et al.	2012/0130217	A1	5/2012	Kauphusman et al.
2011/0091515	A1	4/2011	Zilberman et al.	2012/0132286	A1	5/2012	Lim et al.
2011/0095064	A1	4/2011	Taylor et al.	2012/0143175	A1	6/2012	Hermann et al.
2011/0095067	A1	4/2011	Ohdaira	2012/0171539	A1	7/2012	Rejman et al.
2011/0101069	A1	5/2011	Bombard et al.	2012/0175398	A1	7/2012	Sandborn et al.
2011/0101794	A1	5/2011	Schroeder et al.	2012/0190964	A1	7/2012	Hyde et al.
2011/0112517	A1	5/2011	Peine et al.	2012/0197239	A1	8/2012	Smith et al.
2011/0112530	A1	5/2011	Keller	2012/0197272	A1	8/2012	Oray et al.
2011/0114697	A1	5/2011	Baxter, III et al.	2012/0203213	A1	8/2012	Kimball et al.
2011/0118708	A1	5/2011	Burbank et al.	2012/0211542	A1	8/2012	Racenet
2011/0125149	A1	5/2011	El-Galley et al.	2012/0220990	A1	8/2012	Mckenzie et al.
2011/0125176	A1	5/2011	Yates et al.	2012/0234895	A1	9/2012	O'Connor et al.
2011/0127945	A1	6/2011	Yoneda	2012/0234897	A1	9/2012	Shelton, IV et al.
				2012/0239068	A1	9/2012	Morris et al.
				2012/0241494	A1	9/2012	Marczyk
				2012/0248169	A1	10/2012	Widenhouse et al.
				2012/0251861	A1	10/2012	Liang et al.

(56)

References Cited

U.S. PATENT DOCUMENTS

2012/0253328	A1	10/2012	Cunningham et al.	2014/0001231	A1	1/2014	Shelton, IV et al.
2012/0271327	A1	10/2012	West et al.	2014/0001234	A1	1/2014	Shelton, IV et al.
2012/0283707	A1	11/2012	Giordano et al.	2014/0005640	A1	1/2014	Shelton, IV et al.
2012/0289811	A1	11/2012	Viola et al.	2014/0005678	A1	1/2014	Shelton, IV et al.
2012/0289979	A1	11/2012	Eskaros et al.	2014/0005702	A1	1/2014	Timm et al.
2012/0292367	A1	11/2012	Morgan et al.	2014/0005718	A1	1/2014	Shelton, IV et al.
2012/0296316	A1	11/2012	Imuta	2014/0008289	A1	1/2014	Williams et al.
2012/0296342	A1	11/2012	Haglund Wendelschafer	2014/0014704	A1	1/2014	Onukuri et al.
2012/0298722	A1	11/2012	Hess et al.	2014/0014705	A1	1/2014	Baxter, III
2012/0301498	A1	11/2012	Altreuter et al.	2014/0014707	A1	1/2014	Onukuri et al.
2012/0310254	A1	12/2012	Manzo et al.	2014/0018832	A1	1/2014	Shelton, IV
2012/0316424	A1	12/2012	Stopek	2014/0022283	A1	1/2014	Chan et al.
2012/0330329	A1	12/2012	Harris et al.	2014/0039549	A1	2/2014	Belsky et al.
2013/0006227	A1	1/2013	Takashino	2014/0041191	A1	2/2014	Knodel
2013/0008937	A1	1/2013	Viola	2014/0048580	A1	2/2014	Merchant et al.
2013/0012983	A1	1/2013	Kleyman	2014/0078715	A1	3/2014	Pickard et al.
2013/0018400	A1	1/2013	Milton et al.	2014/0081176	A1	3/2014	Hassan
2013/0020375	A1	1/2013	Shelton, IV et al.	2014/0094681	A1	4/2014	Valentine et al.
2013/0020376	A1	1/2013	Shelton, IV et al.	2014/0100558	A1	4/2014	Schmitz et al.
2013/0023861	A1	1/2013	Shelton, IV et al.	2014/0107697	A1	4/2014	Patani et al.
2013/0023910	A1	1/2013	Solomon et al.	2014/0115229	A1	4/2014	Kothamasu et al.
2013/0026208	A1	1/2013	Shelton, IV et al.	2014/0131418	A1	5/2014	Kostrzewski
2013/0026210	A1	1/2013	Shelton, IV et al.	2014/0131419	A1	5/2014	Bettuchi
2013/0030462	A1	1/2013	Keating et al.	2014/0135832	A1	5/2014	Park et al.
2013/0041292	A1	2/2013	Cunningham	2014/0151433	A1	6/2014	Shelton, IV et al.
2013/0057162	A1	3/2013	Pollischansky	2014/0155916	A1	6/2014	Hodgkinson et al.
2013/0068816	A1	3/2013	Mandakolathur Vasudevan et al.	2014/0158747	A1	6/2014	Measamer et al.
2013/0069088	A1	3/2013	Speck et al.	2014/0166723	A1	6/2014	Beardsley et al.
2013/0075447	A1	3/2013	Weisenburgh, II et al.	2014/0166724	A1	6/2014	Schellin et al.
2013/0087597	A1	4/2013	Shelton, IV et al.	2014/0166725	A1	6/2014	Schellin et al.
2013/0090534	A1	4/2013	Burns et al.	2014/0166726	A1	6/2014	Schellin et al.
2013/0096568	A1	4/2013	Justis	2014/0175147	A1	6/2014	Manoux et al.
2013/0098970	A1	4/2013	Racenet et al.	2014/0175150	A1	6/2014	Shelton, IV et al.
2013/0106352	A1	5/2013	Nagamine	2014/0175152	A1	6/2014	Hess et al.
2013/0112729	A1	5/2013	Beardsley et al.	2014/0181710	A1	6/2014	Baalu et al.
2013/0116669	A1	5/2013	Shelton, IV et al.	2014/0183244	A1	7/2014	Duque et al.
2013/0123816	A1	5/2013	Hodgkinson et al.	2014/0188091	A1	7/2014	Vidal et al.
2013/0126202	A1	5/2013	Oomori et al.	2014/0188101	A1	7/2014	Bales, Jr. et al.
2013/0131476	A1	5/2013	Siu et al.	2014/0188159	A1	7/2014	Steege
2013/0131651	A1	5/2013	Strobl et al.	2014/0207124	A1	7/2014	Aldridge et al.
2013/0136969	A1	5/2013	Yasui et al.	2014/0209658	A1	7/2014	Skalla et al.
2013/0153639	A1	6/2013	Hodgkinson et al.	2014/0224857	A1	8/2014	Schmid
2013/0153641	A1	6/2013	Shelton, IV et al.	2014/0228632	A1	8/2014	Sholev et al.
2013/0158390	A1	6/2013	Tan et al.	2014/0228867	A1	8/2014	Thomas et al.
2013/0162198	A1	6/2013	Yokota et al.	2014/0239047	A1	8/2014	Hodgkinson et al.
2013/0169217	A1	7/2013	Watanabe et al.	2014/0243865	A1	8/2014	Swayze et al.
2013/0172713	A1	7/2013	Kirschenman	2014/0246475	A1	9/2014	Hall et al.
2013/0172878	A1	7/2013	Smith	2014/0248167	A1	9/2014	Sugimoto et al.
2013/0175317	A1	7/2013	Yates et al.	2014/0249557	A1	9/2014	Koch et al.
2013/0183769	A1	7/2013	Tajima	2014/0249573	A1	9/2014	Arav
2013/0211244	A1	8/2013	Nathaniel	2014/0262408	A1	9/2014	Woodard
2013/0214025	A1	8/2013	Zemlok et al.	2014/0263541	A1	9/2014	Leimbach et al.
2013/0215449	A1	8/2013	Yamasaki	2014/0263552	A1	9/2014	Hall et al.
2013/0231681	A1	9/2013	Robinson et al.	2014/0263558	A1	9/2014	Hausen et al.
2013/0233906	A1	9/2013	Hess et al.	2014/0276730	A1	9/2014	Boudreaux et al.
2013/0238021	A1	9/2013	Gross et al.	2014/0284371	A1	9/2014	Morgan et al.
2013/0248578	A1	9/2013	Arteaga Gonzalez	2014/0287703	A1	9/2014	Herbsommer et al.
2013/0253480	A1	9/2013	Kimball et al.	2014/0288460	A1	9/2014	Ouyang et al.
2013/0256373	A1	10/2013	Schmid et al.	2014/0291379	A1	10/2014	Schellin et al.
2013/0256380	A1	10/2013	Schmid et al.	2014/0291383	A1	10/2014	Spivey et al.
2013/0267950	A1	10/2013	Rosa et al.	2014/0299648	A1	10/2014	Shelton, IV et al.
2013/0267978	A1	10/2013	Trissel	2014/0303645	A1	10/2014	Morgan et al.
2013/0270322	A1	10/2013	Scheib et al.	2014/0303660	A1	10/2014	Boyden et al.
2013/0277410	A1	10/2013	Fernandez et al.	2014/0330161	A1	11/2014	Swayze et al.
2013/0284792	A1	10/2013	Ma	2014/0330298	A1	11/2014	Arshonsky et al.
2013/0289565	A1	10/2013	Hassler, Jr.	2014/0330579	A1	11/2014	Cashman et al.
2013/0293353	A1	11/2013	McPherson et al.	2014/0358163	A1	12/2014	Farin et al.
2013/0303845	A1	11/2013	Skula et al.	2014/0367445	A1	12/2014	Ingmanson et al.
2013/0306704	A1	11/2013	Balbierz et al.	2014/0374130	A1	12/2014	Nakamura et al.
2013/0327552	A1	12/2013	Lovelass et al.	2014/0378950	A1	12/2014	Chiu
2013/0333910	A1	12/2013	Tanimoto et al.	2015/0001272	A1	1/2015	Sniffin et al.
2013/0334280	A1	12/2013	Krehel et al.	2015/0002089	A1	1/2015	Rejman et al.
2013/0334283	A1	12/2013	Swayze et al.	2015/0025549	A1	1/2015	Kilroy et al.
2013/0334285	A1	12/2013	Swayze et al.	2015/0025571	A1	1/2015	Suzuki et al.
2013/0341374	A1	12/2013	Shelton, IV et al.	2015/0039010	A1	2/2015	Beardsley et al.
				2015/0053737	A1	2/2015	Leimbach et al.
				2015/0053743	A1	2/2015	Yates et al.
				2015/0053746	A1	2/2015	Shelton, IV et al.
				2015/0053748	A1	2/2015	Yates et al.

(56)

References Cited

U.S. PATENT DOCUMENTS

2017/0333035	A1	11/2017	Morgan et al.	2019/0000461	A1	1/2019	Shelton, IV et al.
2017/0348010	A1	12/2017	Chiang	2019/0000462	A1	1/2019	Shelton, IV et al.
2017/0348043	A1	12/2017	Wang et al.	2019/0000470	A1	1/2019	Yates et al.
2017/0354413	A1	12/2017	Chen et al.	2019/0000475	A1	1/2019	Shelton, IV et al.
2017/0358052	A1	12/2017	Yuan	2019/0000476	A1	1/2019	Shelton, IV et al.
2017/0360441	A1	12/2017	Sgroi	2019/0000477	A1	1/2019	Shelton, IV et al.
2018/0049738	A1	2/2018	Meloul et al.	2019/0000481	A1	1/2019	Harris et al.
2018/0049794	A1	2/2018	Swayze et al.	2019/0000536	A1	1/2019	Yates et al.
2018/0051780	A1	2/2018	Shelton, IV et al.	2019/0008515	A1	1/2019	Beardsley et al.
2018/0055501	A1	3/2018	Zemlok et al.	2019/0015102	A1	1/2019	Baber et al.
2018/0085116	A1	3/2018	Yates et al.	2019/0015165	A1	1/2019	Giordano et al.
2018/0085117	A1	3/2018	Shelton, IV et al.	2019/0021733	A1	1/2019	Burbank
2018/0085120	A1	3/2018	Viola	2019/0029682	A1	1/2019	Huitema et al.
2018/0092710	A1	4/2018	Bosisio et al.	2019/0029701	A1	1/2019	Shelton, IV et al.
2018/0114591	A1	4/2018	Pribanic et al.	2019/0033955	A1	1/2019	Leimbach et al.
2018/0116658	A1	5/2018	Aronhalt, IV et al.	2019/0038281	A1	2/2019	Shelton, IV et al.
2018/0116662	A1	5/2018	Shelton, IV et al.	2019/0038282	A1	2/2019	Shelton, IV et al.
2018/0125481	A1	5/2018	Yates et al.	2019/0038283	A1	2/2019	Shelton, IV et al.
2018/0125487	A1	5/2018	Beardsley	2019/0038285	A1	2/2019	Mozdzierz
2018/0125488	A1	5/2018	Morgan et al.	2019/0059986	A1	2/2019	Shelton, IV et al.
2018/0125594	A1	5/2018	Beardsley	2019/0076143	A1	3/2019	Smith
2018/0132845	A1	5/2018	Schmid et al.	2019/0090871	A1	3/2019	Shelton, IV et al.
2018/0132849	A1	5/2018	Miller et al.	2019/0091183	A1	3/2019	Tomat et al.
2018/0132850	A1	5/2018	Leimbach et al.	2019/0099229	A1	4/2019	Spivey et al.
2018/0132926	A1	5/2018	Asher et al.	2019/0104919	A1	4/2019	Shelton, IV et al.
2018/0132952	A1	5/2018	Spivey et al.	2019/0105035	A1	4/2019	Shelton, IV et al.
2018/0133521	A1	5/2018	Frushour et al.	2019/0105036	A1	4/2019	Morgan et al.
2018/0140299	A1	5/2018	Weaner et al.	2019/0105037	A1	4/2019	Morgan et al.
2018/0146960	A1	5/2018	Shelton, IV et al.	2019/0105039	A1	4/2019	Morgan et al.
2018/0153542	A1	6/2018	Shelton, IV et al.	2019/0105043	A1	4/2019	Jaworek et al.
2018/0153634	A1	6/2018	Zemlok et al.	2019/0105044	A1	4/2019	Shelton, IV et al.
2018/0161034	A1	6/2018	Scheib et al.	2019/0110779	A1	4/2019	Gardner et al.
2018/0168572	A1	6/2018	Burbank	2019/0110791	A1	4/2019	Shelton, IV et al.
2018/0168574	A1	6/2018	Robinson et al.	2019/0117224	A1	4/2019	Setser et al.
2018/0168575	A1	6/2018	Simms et al.	2019/0125320	A1	5/2019	Shelton, IV et al.
2018/0168577	A1	6/2018	Aronhalt et al.	2019/0125335	A1	5/2019	Shelton, IV et al.
2018/0168579	A1	6/2018	Aronhalt et al.	2019/0125336	A1	5/2019	Deck et al.
2018/0168592	A1	6/2018	Overmyer et al.	2019/0125338	A1	5/2019	Shelton, IV et al.
2018/0168598	A1	6/2018	Shelton, IV et al.	2019/0125342	A1	5/2019	Beardsley et al.
2018/0168608	A1	6/2018	Shelton, IV et al.	2019/0125344	A1	5/2019	DiNardo et al.
2018/0168609	A1	6/2018	Fanelli et al.	2019/0125358	A1	5/2019	Shelton, IV et al.
2018/0168610	A1	6/2018	Shelton, IV et al.	2019/0125361	A1	5/2019	Shelton, IV et al.
2018/0168615	A1*	6/2018	Shelton, IV A61B 17/07207	2019/0125377	A1	5/2019	Shelton, IV
2018/0168618	A1	6/2018	Scott et al.	2019/0125378	A1	5/2019	Shelton, IV et al.
2018/0168619	A1	6/2018	Scott et al.	2019/0125388	A1	5/2019	Shelton, IV et al.
2018/0168623	A1	6/2018	Simms et al.	2019/0125430	A1	5/2019	Shelton, IV et al.
2018/0168625	A1	6/2018	Posada et al.	2019/0125431	A1	5/2019	Shelton, IV et al.
2018/0168633	A1	6/2018	Shelton, IV et al.	2019/0125432	A1	5/2019	Shelton, IV et al.
2018/0168647	A1	6/2018	Shelton, IV et al.	2019/0125454	A1	5/2019	Stokes et al.
2018/0168648	A1	6/2018	Shelton, IV et al.	2019/0125455	A1	5/2019	Shelton, IV et al.
2018/0168650	A1	6/2018	Shelton, IV et al.	2019/0125458	A1	5/2019	Shelton, IV et al.
2018/0168754	A1	6/2018	Overmyer	2019/0125459	A1	5/2019	Shelton, IV et al.
2018/0228490	A1	8/2018	Richard et al.	2019/0125476	A1	5/2019	Shelton, IV et al.
2018/0231475	A1	8/2018	Brown et al.	2019/0133422	A1	5/2019	Nakamura
2018/0235609	A1	8/2018	Harris et al.	2019/0138770	A1	5/2019	Compaijen et al.
2018/0235626	A1	8/2018	Shelton, IV et al.	2019/0142421	A1	5/2019	Shelton, IV
2018/0236181	A1	8/2018	Marlin et al.	2019/0150925	A1	5/2019	Marczyk et al.
2018/0242970	A1	8/2018	Mozdzierz	2019/0151029	A1	5/2019	Robinson
2018/0271520	A1	9/2018	Shelton, IV et al.	2019/0159778	A1	5/2019	Shelton, IV et al.
2018/0271604	A1	9/2018	Grout et al.	2019/0175847	A1	6/2019	Pocreva, III et al.
2018/0273597	A1	9/2018	Stimson	2019/0183502	A1	6/2019	Shelton, IV et al.
2018/0280073	A1	10/2018	Sanai et al.	2019/0192141	A1	6/2019	Shelton, IV et al.
2018/0289371	A1	10/2018	Wang et al.	2019/0192146	A1	6/2019	Widenhouse et al.
2018/0296216	A1	10/2018	Shelton, IV et al.	2019/0192147	A1	6/2019	Shelton, IV et al.
2018/0296290	A1	10/2018	Namiki et al.	2019/0192148	A1	6/2019	Shelton, IV et al.
2018/0317905	A1	11/2018	Olson et al.	2019/0192151	A1	6/2019	Shelton, IV et al.
2018/0333169	A1	11/2018	Leimbach et al.	2019/0192153	A1	6/2019	Shelton, IV et al.
2018/0360446	A1	12/2018	Shelton, IV et al.	2019/0192155	A1	6/2019	Shelton, IV et al.
2018/0360456	A1	12/2018	Shelton, IV et al.	2019/0192157	A1	6/2019	Scott et al.
2018/0360473	A1	12/2018	Shelton, IV et al.	2019/0200844	A1	7/2019	Shelton, IV et al.
2018/0368066	A1	12/2018	Howell et al.	2019/0200905	A1	7/2019	Shelton, IV et al.
2018/0368833	A1	12/2018	Shelton, IV et al.	2019/0200906	A1	7/2019	Shelton, IV et al.
2018/0368844	A1	12/2018	Bakos et al.	2019/0200977	A1	7/2019	Shelton, IV et al.
2018/0372806	A1	12/2018	Laughery et al.	2019/0200981	A1	7/2019	Harris et al.
2019/0000459	A1	1/2019	Shelton, IV et al.	2019/0200989	A1	7/2019	Burbank et al.
				2019/0200998	A1	7/2019	Shelton, IV et al.
				2019/0201020	A1	7/2019	Shelton, IV et al.
				2019/0201024	A1	7/2019	Shelton, IV et al.
				2019/0201025	A1	7/2019	Shelton, IV et al.

(56)

References Cited

U.S. PATENT DOCUMENTS

2019/0201026	A1	7/2019	Shelton, IV et al.	2020/0038016	A1	2/2020	Shelton, IV et al.
2019/0201027	A1	7/2019	Shelton, IV et al.	2020/0038018	A1	2/2020	Shelton, IV et al.
2019/0201029	A1	7/2019	Shelton, IV et al.	2020/0038020	A1	2/2020	Yates et al.
2019/0201030	A1	7/2019	Shelton, IV et al.	2020/0054320	A1*	2/2020	Harris A61B 17/07207
2019/0201033	A1	7/2019	Yates et al.	2020/0054321	A1	2/2020	Harris et al.
2019/0201034	A1	7/2019	Shelton, IV et al.	2020/0054329	A1*	2/2020	Shelton, IV A61B 17/07207
2019/0201045	A1	7/2019	Yates et al.	2020/0054332	A1	2/2020	Shelton, IV et al.
2019/0201046	A1	7/2019	Shelton, IV et al.	2020/0054333	A1	2/2020	Shelton, IV et al.
2019/0201047	A1	7/2019	Yates et al.	2020/0054334	A1	2/2020	Shelton, IV et al.
2019/0201104	A1	7/2019	Shelton, IV et al.	2020/0054355	A1	2/2020	Laurent et al.
2019/0201112	A1	7/2019	Wiener et al.	2020/0060523	A1	2/2020	Matsuda et al.
2019/0201113	A1	7/2019	Shelton, IV et al.	2020/0060680	A1	2/2020	Shelton, IV et al.
2019/0201115	A1	7/2019	Shelton, IV et al.	2020/0060713	A1	2/2020	Leimbach et al.
2019/0201118	A1	7/2019	Shelton, IV et al.	2020/0085431	A1	3/2020	Swayze et al.
2019/0201120	A1	7/2019	Shelton, IV et al.	2020/0085435	A1	3/2020	Shelton, IV et al.
2019/0201136	A1	7/2019	Shelton, IV et al.	2020/0085518	A1	3/2020	Giordano et al.
2019/0201137	A1	7/2019	Shelton, IV et al.	2020/0093484	A1	3/2020	Shelton, IV et al.
2019/0201139	A1	7/2019	Shelton, IV et al.	2020/0093485	A1	3/2020	Shelton, IV et al.
2019/0201140	A1	7/2019	Yates et al.	2020/0093506	A1	3/2020	Leimbach et al.
2019/0201142	A1	7/2019	Shelton, IV et al.	2020/0093550	A1	3/2020	Spivey et al.
2019/0201594	A1	7/2019	Shelton, IV et al.	2020/0100783	A1	4/2020	Yates et al.
2019/0205001	A1	7/2019	Messerly et al.	2020/0107829	A1	4/2020	Shelton, IV et al.
2019/0205567	A1	7/2019	Shelton, IV et al.	2020/0138436	A1	5/2020	Yates et al.
2019/0206003	A1	7/2019	Harris et al.	2020/0138534	A1	5/2020	Garcia Kilroy et al.
2019/0206551	A1	7/2019	Yates et al.	2020/0146741	A1	5/2020	Long et al.
2019/0206555	A1	7/2019	Morgan et al.	2020/0187943	A1	6/2020	Shelton, IV et al.
2019/0206561	A1	7/2019	Shelton, IV et al.	2020/0197027	A1	6/2020	Hershberger et al.
2019/0206562	A1	7/2019	Shelton, IV et al.	2020/0205810	A1	7/2020	Posey et al.
2019/0206564	A1	7/2019	Shelton, IV et al.	2020/0205811	A1	7/2020	Posey et al.
2019/0206565	A1	7/2019	Shelton, IV	2020/0214706	A1	7/2020	Vendely et al.
2019/0206569	A1	7/2019	Shelton, IV et al.	2020/0214731	A1	7/2020	Shelton, IV et al.
2019/0209172	A1	7/2019	Shelton, IV et al.	2020/0222047	A1	7/2020	Shelton, IV et al.
2019/0209247	A1	7/2019	Giordano et al.	2020/0229812	A1	7/2020	Parihar et al.
2019/0209248	A1	7/2019	Giordano et al.	2020/0229814	A1	7/2020	Amariglio et al.
2019/0209249	A1	7/2019	Giordano et al.	2020/0237371	A1	7/2020	Huitema et al.
2019/0209250	A1	7/2019	Giordano et al.	2020/0253605	A1	8/2020	Swayze et al.
2019/0216558	A1	7/2019	Giordano et al.	2020/0261078	A1	8/2020	Bakos et al.
2019/0261982	A1	8/2019	Holsten	2020/0261086	A1	8/2020	Zeiner et al.
2019/0261983	A1	8/2019	Granger et al.	2020/0261087	A1	8/2020	Timm et al.
2019/0261984	A1	8/2019	Nelson et al.	2020/0261106	A1	8/2020	Hess et al.
2019/0261987	A1	8/2019	Viola et al.	2020/0268377	A1	8/2020	Schmid et al.
2019/0269400	A1	9/2019	Mandakolathur Vasudevan et al.	2020/0275927	A1	9/2020	Shelton, IV et al.
2019/0269402	A1	9/2019	Murray et al.	2020/0275928	A1	9/2020	Shelton, IV et al.
2019/0269428	A1	9/2019	Allen et al.	2020/0275930	A1	9/2020	Harris et al.
2019/0274685	A1	9/2019	Olson et al.	2020/0280219	A1	9/2020	Laughery et al.
2019/0282233	A1	9/2019	Burbank et al.	2020/0281585	A1	9/2020	Timm et al.
2019/0290264	A1	9/2019	Morgan et al.	2020/0281587	A1	9/2020	Schmid et al.
2019/0290266	A1	9/2019	Scheib et al.	2020/0281590	A1	9/2020	Shelton, IV et al.
2019/0290267	A1	9/2019	Baxter, III et al.	2020/0289112	A1	9/2020	Whitfield et al.
2019/0290297	A1	9/2019	Haider et al.	2020/0297341	A1	9/2020	Yates et al.
2019/0298340	A1	10/2019	Shelton, IV et al.	2020/0297346	A1	9/2020	Shelton, IV et al.
2019/0298350	A1	10/2019	Shelton, IV et al.	2020/0305862	A1	10/2020	Yates et al.
2019/0298352	A1	10/2019	Shelton, IV et al.	2020/0305863	A1	10/2020	Yates et al.
2019/0298353	A1	10/2019	Shelton, IV et al.	2020/0305864	A1	10/2020	Yates et al.
2019/0298360	A1	10/2019	Shelton, IV et al.	2020/0305870	A1	10/2020	Shelton, IV
2019/0298361	A1	10/2019	Shelton, IV et al.	2020/0305871	A1	10/2020	Shelton, IV et al.
2019/0298362	A1	10/2019	Shelton, IV et al.	2020/0305872	A1	10/2020	Weidner et al.
2019/0307452	A1	10/2019	Shelton, IV et al.	2020/0305874	A1	10/2020	Huitema et al.
2019/0307453	A1	10/2019	Shelton, IV et al.	2020/0315612	A1	10/2020	Shelton, IV et al.
2019/0307454	A1	10/2019	Shelton, IV et al.	2020/0315625	A1	10/2020	Hall et al.
2019/0307456	A1	10/2019	Shelton, IV et al.	2020/0315983	A1	10/2020	Widenhouse et al.
2019/0314015	A1	10/2019	Shelton, IV et al.	2020/0323526	A1	10/2020	Huang et al.
2019/0321040	A1	10/2019	Shelton, IV	2020/0330092	A1	10/2020	Shelton, IV et al.
2019/0321062	A1	10/2019	Williams	2020/0330093	A1	10/2020	Shelton, IV et al.
2019/0328387	A1	10/2019	Overmyer et al.	2020/0330094	A1	10/2020	Baxter, III et al.
2019/0328390	A1	10/2019	Harris et al.	2020/0330096	A1	10/2020	Shelton, IV et al.
2019/0343515	A1	11/2019	Morgan et al.	2020/0330181	A1	10/2020	Junger et al.
2019/0350581	A1	11/2019	Baxter, III et al.	2020/0337693	A1	10/2020	Shelton, IV et al.
2019/0357909	A1	11/2019	Huitema et al.	2020/0337791	A1	10/2020	Shelton, IV et al.
2020/0000531	A1	1/2020	Giordano et al.	2020/0345346	A1	11/2020	Shelton, IV et al.
2020/0008802	A1	1/2020	Aronhalt et al.	2020/0345349	A1*	11/2020	Kimball A61B 17/072
2020/0008809	A1	1/2020	Shelton, IV et al.	2020/0345352	A1	11/2020	Shelton, IV et al.
2020/0015819	A1	1/2020	Shelton, IV et al.	2020/0345353	A1	11/2020	Leimbach et al.
2020/0015915	A1	1/2020	Swayze et al.	2020/0345354	A1	11/2020	Leimbach et al.
2020/0037939	A1	2/2020	Castagna et al.	2020/0345355	A1	11/2020	Baxter, III et al.
				2020/0345356	A1	11/2020	Leimbach et al.
				2020/0345357	A1*	11/2020	Leimbach A61B 17/07207
				2020/0345358	A1	11/2020	Jenkins
				2020/0345359	A1	11/2020	Baxter, III et al.

(56)

References Cited

U.S. PATENT DOCUMENTS

2020/0345360	A1*	11/2020	Leimbach	A61B 17/07207	2021/0128146	A1	5/2021	Shelton, IV et al.
2020/0345435	A1	11/2020	Traina		2021/0128153	A1	5/2021	Sgroi
2020/0345446	A1*	11/2020	Kimball	A61B 17/07207	2021/0137522	A1	5/2021	Shelton, IV et al.
2020/0352562	A1	11/2020	Timm et al.		2021/0153866	A1	5/2021	Knapp et al.
2020/0367885	A1	11/2020	Yates et al.		2021/0186492	A1	6/2021	Shelton, IV et al.
2020/0367886	A1	11/2020	Shelton, IV et al.		2021/0186493	A1	6/2021	Shelton, IV et al.
2020/0375585	A1	12/2020	Swayze et al.		2021/0186494	A1	6/2021	Shelton, IV et al.
2020/0375592	A1	12/2020	Hall et al.		2021/0186495	A1	6/2021	Shelton, IV et al.
2020/0375593	A1	12/2020	Hunter et al.		2021/0186497	A1	6/2021	Shelton, IV et al.
2020/0375597	A1	12/2020	Shelton, IV et al.		2021/0186498	A1	6/2021	Boudreaux et al.
2020/0390444	A1	12/2020	Harris et al.		2021/0186499	A1	6/2021	Shelton, IV et al.
2020/0397433	A1	12/2020	Lytle, IV et al.		2021/0186500	A1	6/2021	Shelton, IV et al.
2020/0405290	A1	12/2020	Shelton, IV et al.		2021/0186501	A1	6/2021	Shelton, IV et al.
2020/0405292	A1	12/2020	Shelton, IV et al.		2021/0186502	A1	6/2021	Shelton, IV et al.
2020/0405293	A1	12/2020	Shelton, IV et al.		2021/0186504	A1	6/2021	Shelton, IV et al.
2020/0405294	A1	12/2020	Shelton, IV		2021/0186505	A1	6/2021	Shelton, IV et al.
2020/0405295	A1	12/2020	Shelton, IV et al.		2021/0186507	A1	6/2021	Shelton, IV et al.
2020/0405296	A1	12/2020	Shelton, IV et al.		2021/0204941	A1	7/2021	Dewaele et al.
2020/0405302	A1	12/2020	Shelton, IV et al.		2021/0212691	A1	7/2021	Smith et al.
2020/0405304	A1	12/2020	Mozdzierz et al.		2021/0212776	A1	7/2021	Schmitt et al.
2020/0405306	A1	12/2020	Shelton, IV et al.		2021/0219976	A1	7/2021	DiNardo et al.
2020/0405307	A1	12/2020	Shelton, IV et al.		2021/0228209	A1	7/2021	Shelton, IV et al.
2020/0405308	A1	12/2020	Shelton, IV		2021/0236117	A1	8/2021	Morgan et al.
2020/0405312	A1	12/2020	Shelton, IV et al.		2021/0236124	A1	8/2021	Shelton, IV et al.
2020/0405316	A1	12/2020	Shelton, IV et al.		2021/0244406	A1	8/2021	Kerr et al.
2020/0405341	A1	12/2020	Hess et al.		2021/0244407	A1	8/2021	Shelton, IV et al.
2020/0405409	A1	12/2020	Shelton, IV et al.		2021/0244410	A1	8/2021	Swayze et al.
2020/0405410	A1	12/2020	Shelton, IV		2021/0244411	A1	8/2021	Smith et al.
2020/0405416	A1	12/2020	Shelton, IV et al.		2021/0244412	A1	8/2021	Vendely et al.
2020/0405437	A1	12/2020	Shelton, IV et al.		2021/0259681	A1	8/2021	Shelton, IV et al.
2020/0405439	A1	12/2020	Shelton, IV et al.		2021/0259687	A1	8/2021	Gonzalez et al.
2020/0410177	A1	12/2020	Shelton, IV		2021/0259986	A1	8/2021	Widenhouse et al.
2021/0000466	A1	1/2021	Leimbach et al.		2021/0259987	A1	8/2021	Widenhouse et al.
2021/0000467	A1	1/2021	Shelton, IV et al.		2021/0267589	A1	9/2021	Swayze et al.
2021/0000470	A1	1/2021	Leimbach et al.		2021/0267594	A1	9/2021	Morgan et al.
2021/0015480	A1	1/2021	Shelton, IV et al.		2021/0267595	A1	9/2021	Posada et al.
2021/0030416	A1	2/2021	Shelton, IV et al.		2021/0267596	A1	9/2021	Fanelli et al.
2021/0045742	A1	2/2021	Shelton, IV et al.		2021/0275053	A1	9/2021	Shelton, IV et al.
2021/0052271	A1	2/2021	Harris et al.		2021/0275172	A1	9/2021	Harris et al.
2021/0059661	A1	3/2021	Schmid et al.		2021/0275173	A1	9/2021	Shelton, IV et al.
2021/0059662	A1	3/2021	Shelton, IV		2021/0275176	A1	9/2021	Beckman et al.
2021/0059664	A1	3/2021	Hensel et al.		2021/0282767	A1	9/2021	Shelton, IV et al.
2021/0059669	A1	3/2021	Yates et al.		2021/0282769	A1	9/2021	Baxter, III et al.
2021/0059670	A1	3/2021	Overmyer et al.		2021/0282774	A1	9/2021	Shelton, IV et al.
2021/0059671	A1	3/2021	Shelton, IV et al.		2021/0282776	A1	9/2021	Overmyer et al.
2021/0059672	A1	3/2021	Giordano et al.		2021/0290226	A1	9/2021	Mandakolathur Vasudevan et al.
2021/0059673	A1	3/2021	Shelton, IV et al.		2021/0290231	A1	9/2021	Baxter, III et al.
2021/0068817	A1	3/2021	Shelton, IV et al.		2021/0290232	A1	9/2021	Harris et al.
2021/0068818	A1	3/2021	Overmyer et al.		2021/0290233	A1	9/2021	Shelton, IV et al.
2021/0068820	A1	3/2021	Parihar et al.		2021/0290236	A1	9/2021	Moore et al.
2021/0068829	A1	3/2021	Miller et al.		2021/0290322	A1	9/2021	Traina
2021/0068831	A1	3/2021	Baber et al.		2021/0298745	A1	9/2021	Leimbach et al.
2021/0068832	A1	3/2021	Yates et al.		2021/0298746	A1	9/2021	Leimbach et al.
2021/0068835	A1	3/2021	Shelton, IV et al.		2021/0307748	A1	10/2021	Harris et al.
2021/0077099	A1	3/2021	Shelton, IV et al.		2021/0307754	A1	10/2021	Shelton, IV et al.
2021/0077100	A1	3/2021	Shelton, IV et al.		2021/0315566	A1	10/2021	Yates et al.
2021/0077109	A1	3/2021	Harris et al.		2021/0315570	A1	10/2021	Shelton, IV
2021/0085313	A1	3/2021	Morgan et al.		2021/0315571	A1	10/2021	Swayze et al.
2021/0085314	A1	3/2021	Schmid et al.		2021/0315573	A1	10/2021	Shelton, IV et al.
2021/0085315	A1	3/2021	Aronhalt et al.		2021/0315574	A1	10/2021	Shelton, IV et al.
2021/0085316	A1	3/2021	Harris et al.		2021/0315576	A1	10/2021	Shelton, IV et al.
2021/0085317	A1	3/2021	Miller et al.		2021/0315577	A1	10/2021	Shelton, IV et al.
2021/0085318	A1	3/2021	Swayze et al.		2021/0322009	A1	10/2021	Huang et al.
2021/0085320	A1	3/2021	Leimbach et al.		2021/0330321	A1	10/2021	Leimbach et al.
2021/0085321	A1	3/2021	Shelton, IV et al.		2021/0338233	A1	11/2021	Shelton, IV et al.
2021/0085325	A1	3/2021	Shelton, IV et al.		2021/0338234	A1	11/2021	Shelton, IV et al.
2021/0085326	A1	3/2021	Vendely et al.		2021/0338260	A1	11/2021	Le Rolland et al.
2021/0093321	A1	4/2021	Auld et al.		2021/0353284	A1	11/2021	Yang et al.
2021/0093323	A1	4/2021	Scirica et al.		2021/0369271	A1	12/2021	Schings et al.
2021/0100541	A1	4/2021	Shelton, IV et al.		2021/0369273	A1	12/2021	Yates et al.
2021/0100550	A1	4/2021	Shelton, IV et al.		2021/0378669	A1	12/2021	Shelton, IV et al.
2021/0100982	A1	4/2021	Laby et al.		2021/0393260	A1	12/2021	Shelton, IV et al.
2021/0106333	A1	4/2021	Shelton, IV et al.		2021/0393261	A1	12/2021	Harris et al.
2021/0107031	A1	4/2021	Bales, Jr. et al.		2021/0393262	A1	12/2021	Shelton, IV et al.
2021/0121175	A1	4/2021	Yates et al.		2021/0393268	A1	12/2021	Shelton, IV et al.
					2021/0393366	A1	12/2021	Shelton, IV et al.
					2022/0000478	A1	1/2022	Shelton, IV et al.
					2022/0031313	A1	2/2022	Bakos et al.
					2022/0031314	A1	2/2022	Bakos et al.

(56)

References Cited

FOREIGN PATENT DOCUMENTS

U.S. PATENT DOCUMENTS						
			AU	2012268848	A1	1/2013
			AU	2011218702	B2	6/2013
			AU	2012200178	B2	7/2013
2022/0031315	A1	2/2022 Bakos et al.	BR	112013007744	A2	6/2016
2022/0031319	A1	2/2022 Witte et al.	BR	112013027777	A2	1/2017
2022/0031320	A1	2/2022 Hall et al.	CA	1015829	A	8/1977
2022/0031322	A1	2/2022 Parks	CA	2520413	A1	3/2007
2022/0031323	A1	2/2022 Witte	CA	2725181	A1	11/2007
2022/0031324	A1	2/2022 Hall et al.	CA	2851239	A1	11/2007
2022/0031345	A1	2/2022 Witte	CA	2664874	A1	11/2009
2022/0031346	A1	2/2022 Parks	CA	2813230	A1	4/2012
2022/0031350	A1	2/2022 Witte	CA	2940510	A1	8/2015
2022/0031351	A1	2/2022 Moubarak et al.	CA	2698728	C	8/2016
2022/0054130	A1	2/2022 Overmyer et al.	CN	1163558	A	10/1997
2022/0061836	A1	3/2022 Parihar et al.	CN	2488482	Y	5/2002
2022/0061843	A1	3/2022 Vendely et al.	CN	1634601	A	7/2005
2022/0061845	A1	3/2022 Shelton, IV et al.	CN	2716900	Y	8/2005
2022/0061862	A1	3/2022 Shelton, IV et al.	CN	2738962	Y	11/2005
2022/0071630	A1	3/2022 Swayze et al.	CN	1777406	A	5/2006
2022/0071631	A1	3/2022 Harris et al.	CN	2785249	Y	5/2006
2022/0071632	A1	3/2022 Patel et al.	CN	2796654	Y	7/2006
2022/0071635	A1	3/2022 Shelton, IV et al.	CN	2868212	Y	2/2007
2022/0079580	A1*	3/2022 Vendely A61B 17/072	CN	200942099	Y	9/2007
2022/0079588	A1	3/2022 Harris et al.	CN	200984209	Y	12/2007
2022/0079589	A1	3/2022 Harris et al.	CN	200991269	Y	12/2007
2022/0079590	A1	3/2022 Harris et al.	CN	201001747	Y	1/2008
2022/0079595	A1	3/2022 Huitema et al.	CN	101143105	A	3/2008
2022/0079596	A1	3/2022 Huitema et al.	CN	201029899	Y	3/2008
2022/0087676	A1	3/2022 Shelton, IV et al.	CN	101188900	A	5/2008
2022/0104816	A1	4/2022 Fernandes et al.	CN	101203085	A	6/2008
2022/0117602	A1	4/2022 Wise et al.	CN	101273908	A	10/2008
2022/0133299	A1	5/2022 Baxter, III	CN	101378791	A	3/2009
2022/0133300	A1	5/2022 Leimbach et al.	CN	101507635	A	8/2009
2022/0133301	A1	5/2022 Leimbach	CN	101522120	A	9/2009
2022/0133302	A1	5/2022 Zerkle et al.	CN	101669833	A	3/2010
2022/0133303	A1	5/2022 Huang	CN	101716090	A	6/2010
2022/0133304	A1	5/2022 Leimbach et al.	CN	101721236	A	6/2010
2022/0133310	A1	5/2022 Ross	CN	101756727	A	6/2010
2022/0133311	A1	5/2022 Huang	CN	101828940	A	9/2010
2022/0133312	A1*	5/2022 Huang A61B 17/072 227/176.1	CN	101856250	A	10/2010
			CN	101873834	A	10/2010
			CN	201719298	U	1/2011
2022/0133427	A1	5/2022 Baxter, III	CN	102038532	A	5/2011
2022/0133428	A1	5/2022 Leimbach et al.	CN	201879759	U	6/2011
2022/0142643	A1	5/2022 Shelton, IV et al.	CN	201949071	U	8/2011
2022/0151611	A1	5/2022 Shelton, IV et al.	CN	102217961	A	10/2011
2022/0151613	A1	5/2022 Vendely et al.	CN	102217963	A	10/2011
2022/0151614	A1	5/2022 Vendely et al.	CN	102243850	A	11/2011
2022/0151615	A1	5/2022 Shelton, IV et al.	CN	102247182	A	11/2011
2022/0151616	A1	5/2022 Shelton, IV et al.	CN	102247183	A	11/2011
2022/0167968	A1	6/2022 Worthington et al.	CN	101779977	B	12/2011
2022/0167970	A1	6/2022 Aronhalt et al.	CN	102309352	A	1/2012
2022/0167971	A1	6/2022 Shelton, IV et al.	CN	101912284	B	7/2012
2022/0167972	A1	6/2022 Shelton, IV et al.	CN	102125450	B	7/2012
2022/0167973	A1	6/2022 Shelton, IV et al.	CN	202313537	U	7/2012
2022/0167974	A1	6/2022 Shelton, IV et al.	CN	202397539	U	8/2012
2022/0167975	A1	6/2022 Shelton, IV et al.	CN	202426586	U	9/2012
2022/0167977	A1	6/2022 Shelton, IV et al.	CN	102743201	A	10/2012
2022/0167979	A1	6/2022 Yates et al.	CN	202489990	U	10/2012
2022/0167980	A1	6/2022 Shelton, IV et al.	CN	102228387	B	11/2012
2022/0167981	A1	6/2022 Shelton, IV et al.	CN	102835977	A	12/2012
2022/0167982	A1	6/2022 Shelton, IV et al.	CN	202568350	U	12/2012
2022/0167983	A1	6/2022 Shelton, IV et al.	CN	103037781	A	4/2013
2022/0167984	A1	6/2022 Shelton, IV et al.	CN	103083053	A	5/2013
2022/0167985	A1	6/2022 Shelton, IV et al.	CN	103391037	A	11/2013
2022/0167986	A1	6/2022 Shelton, IV et al.	CN	203328751	U	12/2013
2022/0167987	A1	6/2022 Parfett et al.	CN	103505264	A	1/2014
2022/0168038	A1	6/2022 Shelton, IV et al.	CN	103584893	A	2/2014
2022/0175370	A1	6/2022 Shelton, IV et al.	CN	103635150	A	3/2014
2022/0175371	A1	6/2022 Hess et al.	CN	103690212	A	4/2014
2022/0175372	A1	6/2022 Shelton, IV et al.	CN	203564285	U	4/2014
2022/0175375	A1	6/2022 Harris et al.	CN	203564287	U	4/2014
2022/0175378	A1	6/2022 Leimbach et al.	CN	203597997	U	5/2014
2022/0175381	A1	6/2022 Scheib et al.	CN	103829981	A	6/2014
2022/0225980	A1*	7/2022 Shelton, IV A61B 17/072	CN	103829983	A	6/2014
2022/0273294	A1*	9/2022 Creamer A61B 17/07207	CN	103860221	A	6/2014
			CN	103908313	A	7/2014

(56)

References Cited

FOREIGN PATENT DOCUMENTS

CN	203693685	U	7/2014	EP	1080694	A1	3/2001
CN	203736251	U	7/2014	EP	1090592	A1	4/2001
CN	103981635	A	8/2014	EP	1095627	A1	5/2001
CN	104027145	A	9/2014	EP	0806914	B1	9/2001
CN	203815517	U	9/2014	EP	1234587	A1	8/2002
CN	102783741	B	10/2014	EP	1284120	A1	2/2003
CN	102973300	B	10/2014	EP	0717967	B1	5/2003
CN	204092074	U	1/2015	EP	0869742	B1	5/2003
CN	104337556	A	2/2015	EP	1374788	A1	1/2004
CN	204158440	U	2/2015	EP	1407719	A2	4/2004
CN	204158441	U	2/2015	EP	0996378	B1	6/2004
CN	102469995	B	3/2015	EP	1157666	B1	9/2005
CN	104422849	A	3/2015	EP	0880338	B1	10/2005
CN	104586463	A	5/2015	EP	1158917	B1	11/2005
CN	204520822	U	8/2015	EP	1344498	B1	11/2005
CN	204636451	U	9/2015	EP	1330989	B1	12/2005
CN	103860225	B	3/2016	EP	1632191	A2	3/2006
CN	103750872	B	5/2016	EP	1082944	B1	5/2006
CN	105919642	A	9/2016	EP	1253866	B1	7/2006
CN	103648410	B	10/2016	EP	1723914	A1	11/2006
CN	105997173	A	10/2016	EP	1285633	B1	12/2006
CN	106344091	A	1/2017	EP	1011494	B1	1/2007
CN	104349800	B	11/2017	EP	1767163	A1	3/2007
CN	107635483	A	1/2018	EP	1837041	A1	9/2007
CN	208625784	U	3/2019	EP	0922435	B1	10/2007
DE	273689	C	5/1914	EP	1599146	B1	10/2007
DE	1775926	A	1/1972	EP	1330201	B1	6/2008
DE	3036217	A1	4/1982	EP	2039302	A2	3/2009
DE	3210466	A1	9/1983	EP	1719461	B1	6/2009
DE	3709067	A1	9/1988	EP	2116196	A2	11/2009
DE	19534043	A1	3/1997	EP	1769754	B1	6/2010
DE	19851291	A1	1/2000	EP	1627605	B1	12/2010
DE	19924311	A1	11/2000	EP	2316345	A1	5/2011
DE	20016423	U1	2/2001	EP	1962711	B1	2/2012
DE	20112837	U1	10/2001	EP	2486862	A2	8/2012
DE	20121753	U1	4/2003	EP	2486868	A2	8/2012
DE	202004012389	U1	9/2004	EP	2517638	A1	10/2012
DE	10314072	A1	10/2004	EP	2606812	A1	6/2013
DE	102004014011	A1	10/2005	EP	2649948	A1	10/2013
DE	102004041871	A1	3/2006	EP	2649949	A1	10/2013
DE	102004063606	A1	7/2006	EP	2668910	A2	12/2013
DE	202007003114	U1	6/2007	EP	2687164	A2	1/2014
DE	102010013150	A1	9/2011	EP	2713902	A1	4/2014
DE	102012213322	A1	1/2014	EP	2743042	A2	6/2014
DE	102013101158	A1	8/2014	EP	2764827	A2	8/2014
EM	1558161	A1	8/2005	EP	2777524	A2	9/2014
EM	002220467-0008		4/2013	EP	2789299	A1	10/2014
EP	0000756	A1	2/1979	EP	2842500	A1	3/2015
EP	0122046	A1	10/1984	EP	2853220	A1	4/2015
EP	0129442	B1	11/1987	EP	2878274	A1	6/2015
EP	0251444	A1	1/1988	EP	2298220	B1	6/2016
EP	0255631	A1	2/1988	EP	2510891	B1	6/2016
EP	0169044	B1	6/1991	EP	3031404	A1	6/2016
EP	0541950	A1	5/1993	EP	3047806	A1	7/2016
EP	0548998	A1	6/1993	EP	3078334	A1	10/2016
EP	0594148	A1	4/1994	EP	2364651	B1	11/2016
EP	0646357	A1	4/1995	EP	2747235	B1	11/2016
EP	0505036	B1	5/1995	EP	3095399	A2	11/2016
EP	0669104	A1	8/1995	EP	3120781	A2	1/2017
EP	0516544	B1	3/1996	EP	3135225	A2	3/2017
EP	0705571	A1	4/1996	EP	2789299	B1	5/2017
EP	0528478	B1	5/1996	EP	3225190	A2	10/2017
EP	0770355	A1	5/1997	EP	3326548	A1	5/2018
EP	0625335	B1	11/1997	EP	3363378	A1	8/2018
EP	0879742	A1	11/1998	EP	3409216	A1	12/2018
EP	0650701	B1	3/1999	EP	3476334	A1	5/2019
EP	0923907	A1	6/1999	EP	3275378	B1	7/2019
EP	0484677	B2	7/2000	ES	1070456	U	9/2009
EP	1034747	A1	9/2000	FR	459743	A	11/1913
EP	1034748	A1	9/2000	FR	999646	A	2/1952
EP	0726632	B1	10/2000	FR	1112936	A	3/1956
EP	1053719	A1	11/2000	FR	2598905	A1	11/1987
EP	1055399	A1	11/2000	FR	2689749	B1	7/1994
EP	1055400	A1	11/2000	FR	2765794	A1	1/1999
EP	1064882	A1	1/2001	FR	2815842	A1	5/2002
				GB	939929	A	10/1963
				GB	1210522	A	10/1970
				GB	1217159	A	12/1970
				GB	1339394	A	12/1973

(56)

References Cited

FOREIGN PATENT DOCUMENTS

GB	2024012	A	1/1980	JP	2005080702	A	3/2005
GB	2109241	A	6/1983	JP	2005131163	A	5/2005
GB	2090534	B	6/1984	JP	2005131164	A	5/2005
GB	2272159	A	5/1994	JP	2005131173	A	5/2005
GB	2336214	A	10/1999	JP	2005131211	A	5/2005
GB	2509523	A	7/2014	JP	2005131212	A	5/2005
GR	930100110	A	11/1993	JP	2005137423	A	6/2005
JP	S4711908	Y1	5/1972	JP	2005187954	A	7/2005
JP	S5033988	U	4/1975	JP	2005211455	A	8/2005
JP	S5367286	A	6/1978	JP	2005328882	A	12/2005
JP	S56112235	A	9/1981	JP	2005335432	A	12/2005
JP	S60113007	A	6/1985	JP	2005342267	A	12/2005
JP	S62170011	U	10/1987	JP	3791856	B2	6/2006
JP	S6333137	A	2/1988	JP	2006187649	A	7/2006
JP	S63270040	A	11/1988	JP	2006218228	A	8/2006
JP	S63318824	A	12/1988	JP	2006281405	A	10/2006
JP	H0129503	B2	6/1989	JP	2006291180	A	10/2006
JP	H02106189	A	4/1990	JP	2006346445	A	12/2006
JP	H0378514	U	8/1991	JP	2007-97252	A	4/2007
JP	H0385009	U	8/1991	JP	2007289715	A	11/2007
JP	H04215747	A	8/1992	JP	2007304057	A	11/2007
JP	H04131860	U	12/1992	JP	2007306710	A	11/2007
JP	H0584252	A	4/1993	JP	D1322057		2/2008
JP	H05123325	A	5/1993	JP	2008154804	A	7/2008
JP	H05226945	A	9/1993	JP	2008220032	A	9/2008
JP	H0630945	A	2/1994	JP	2009507526	A	2/2009
JP	H0636757	A	2/1994	JP	2009189838	A	8/2009
JP	H06237937	A	8/1994	JP	2009189846	A	8/2009
JP	H06304176	A	11/1994	JP	2009207260	A	9/2009
JP	H06327684	A	11/1994	JP	2009226028	A	10/2009
JP	H079622	U	2/1995	JP	2009538684	A	11/2009
JP	H07124166	A	5/1995	JP	2009539420	A	11/2009
JP	H07163573	A	6/1995	JP	D1383743		2/2010
JP	H07255735	A	10/1995	JP	2010065594	A	3/2010
JP	H07285089	A	10/1995	JP	2010069307	A	4/2010
JP	H0833642	A	2/1996	JP	2010069310	A	4/2010
JP	H08164141	A	6/1996	JP	2010098844	A	4/2010
JP	H08182684	A	7/1996	JP	2010214128	A	9/2010
JP	H08507708	A	8/1996	JP	2011072574	A	4/2011
JP	H08229050	A	9/1996	JP	4722849	B2	7/2011
JP	H08289895	A	11/1996	JP	4728996	B2	7/2011
JP	H0950795	A	2/1997	JP	2011524199	A	9/2011
JP	H09-323068	A	12/1997	JP	2011200665	A	10/2011
JP	H10118090	A	5/1998	JP	D1432094		12/2011
JP	H10-200699	A	7/1998	JP	2012115542	A	6/2012
JP	H10296660	A	11/1998	JP	2012143283	A	8/2012
JP	2000014632	A	1/2000	JP	5154710	B1	2/2013
JP	2000033071	A	2/2000	JP	2013099551	A	5/2013
JP	2000112002	A	4/2000	JP	D1481426		9/2013
JP	2000166932	A	6/2000	JP	2013541982	A	11/2013
JP	2000171730	A	6/2000	JP	2013541983	A	11/2013
JP	2000210299	A	8/2000	JP	2013541997	A	11/2013
JP	2000271141	A	10/2000	JP	2014018667	A	2/2014
JP	2000287987	A	10/2000	JP	D1492363		2/2014
JP	2000325303	A	11/2000	JP	2014121599	A	7/2014
JP	2001-69758	A	3/2001	JP	2014171879	A	9/2014
JP	2001087272	A	4/2001	JP	1517663	S	2/2015
JP	2001208655	A	8/2001	JP	2015512725	A	4/2015
JP	2001514541	A	9/2001	JP	2015513956	A	5/2015
JP	2001276091	A	10/2001	JP	2015513958	A	5/2015
JP	2002051974	A	2/2002	JP	2015514471	A	5/2015
JP	2002054903	A	2/2002	JP	2015516838	A	6/2015
JP	2002085415	A	3/2002	JP	2015521524	A	7/2015
JP	2002143078	A	5/2002	JP	2015521525	A	7/2015
JP	2002153481	A	5/2002	JP	2016007800	A	1/2016
JP	2002528161	A	9/2002	JP	2016508792	A	3/2016
JP	2002314298	A	10/2002	JP	2016512057	A	4/2016
JP	2003135473	A	5/2003	JP	2016530949	A	10/2016
JP	2003521301	A	7/2003	JP	2017513563	A	6/2017
JP	3442423	B2	9/2003	JP	1601498	S	4/2018
JP	2003300416	A	10/2003	JP	2019513530	A	5/2019
JP	2004147701	A	5/2004	JP	D1677030	S	1/2021
JP	2004162035	A	6/2004	JP	D1696539	S	10/2021
JP	2004229976	A	8/2004	KR	20100110134	A	10/2010
JP	2005013573	A	1/2005	KR	20110003229	A	1/2011
				KR	300631507		3/2012
				KR	300747646		6/2014
				KR	20180053811	A	5/2018
				RU	1814161	C	5/1993

(56)

References Cited

FOREIGN PATENT DOCUMENTS

RU 2008830 C1 3/1994
 RU 2052979 C1 1/1996
 RU 2066128 C1 9/1996
 RU 2069981 C1 12/1996
 RU 2098025 C1 12/1997
 RU 2104671 C1 2/1998
 RU 2110965 C1 5/1998
 RU 2141279 C1 11/1999
 RU 2144791 C1 1/2000
 RU 2161450 C1 1/2001
 RU 2181566 C2 4/2002
 RU 2187249 C2 8/2002
 RU 32984 U1 10/2003
 RU 2225170 C2 3/2004
 RU 42750 U1 12/2004
 RU 61114 U1 2/2007
 RU 61122 U1 2/2007
 RU 2430692 C2 10/2011
 SU 189517 A 1/1967
 SU 297156 A 5/1971
 SU 328636 A 9/1972
 SU 511939 A1 4/1976
 SU 674747 A1 7/1979
 SU 728848 A1 4/1980
 SU 1009439 A 4/1983
 SU 1042742 A1 9/1983
 SU 1271497 A1 11/1986
 SU 1333319 A2 8/1987
 SU 1377052 A1 2/1988
 SU 1377053 A1 2/1988
 SU 1443874 A1 12/1988
 SU 1509051 A1 9/1989
 SU 1561964 A1 5/1990
 SU 1708312 A1 1/1992
 SU 1722476 A1 3/1992
 SU 1752361 A1 8/1992
 SU 1814161 A1 5/1993
 WO WO-9308754 A1 5/1993
 WO WO-9315648 A1 8/1993
 WO WO-9420030 A1 9/1994
 WO WO-9517855 A1 7/1995
 WO WO-9520360 A1 8/1995
 WO WO-9623448 A1 8/1996
 WO WO-9635464 A1 11/1996
 WO WO-9639086 A1 12/1996
 WO WO-9639088 A1 12/1996
 WO WO-9724073 A1 7/1997
 WO WO-9734533 A1 9/1997
 WO WO-9827870 A1 7/1998
 WO WO-9903407 A1 1/1999
 WO WO-9903409 A1 1/1999
 WO WO-9948430 A1 9/1999
 WO WO-0024322 A1 5/2000
 WO WO-0024330 A1 5/2000
 WO WO-0036690 A2 6/2000
 WO WO-0053112 A2 9/2000
 WO WO-0024448 A2 10/2000
 WO WO-0057796 A1 10/2000
 WO WO-0105702 A1 1/2001
 WO WO-0154594 A1 8/2001
 WO WO-0158371 A1 8/2001
 WO WO-0162164 A2 8/2001
 WO WO-0162169 A2 8/2001
 WO WO-0191646 A1 12/2001
 WO WO-0219932 A1 3/2002
 WO WO-0226143 A1 4/2002
 WO WO-0236028 A1 5/2002
 WO WO-02065933 A2 8/2002
 WO WO-03055402 A1 7/2003
 WO WO-03094747 A1 11/2003
 WO WO-03079909 A3 3/2004
 WO WO-2004019803 A1 3/2004
 WO WO-2004032783 A1 4/2004
 WO WO-2004047626 A1 6/2004
 WO WO-2004047653 A2 6/2004

WO WO-2004056277 A1 7/2004
 WO WO-2004078050 A2 9/2004
 WO WO-2004078051 A2 9/2004
 WO WO-2004096015 A2 11/2004
 WO WO-2006044581 A2 4/2006
 WO WO-2006051252 A1 5/2006
 WO WO-2006059067 A1 6/2006
 WO WO-2006073581 A2 7/2006
 WO WO-2006085389 A1 8/2006
 WO WO-2007015971 A2 2/2007
 WO WO-2007074430 A1 7/2007
 WO WO-2007129121 A1 11/2007
 WO WO-2007137304 A2 11/2007
 WO WO-2007142625 A2 12/2007
 WO WO-2008021969 A2 2/2008
 WO WO-2008061566 A1 5/2008
 WO WO-2008089404 A2 7/2008
 WO WO-2009005969 A2 1/2009
 WO WO-2009067649 A2 5/2009
 WO WO-2009091497 A2 7/2009
 WO WO-2010126129 A1 11/2010
 WO WO-2010134913 A1 11/2010
 WO WO-2011008672 A2 1/2011
 WO WO-2011044343 A2 4/2011
 WO WO-2012006306 A2 1/2012
 WO WO-2012013577 A1 2/2012
 WO WO-2012044606 A2 4/2012
 WO WO-2012061725 A1 5/2012
 WO WO-2012072133 A1 6/2012
 WO WO-2012166503 A1 12/2012
 WO WO-2013087092 A1 6/2013
 WO WO-2013151888 A1 10/2013
 WO WO-2014004209 A2 1/2014
 WO WO-2014113438 A1 7/2014
 WO WO-2014175894 A1 10/2014
 WO WO-2015032797 A1 3/2015
 WO WO-2015076780 A1 5/2015
 WO WO-2015137040 A1 9/2015
 WO WO-2015138760 A1 9/2015
 WO WO-2015187107 A1 12/2015
 WO WO-2016100682 A1 6/2016
 WO WO-2016107448 A1 7/2016
 WO WO-2019036490 A1 2/2019

OTHER PUBLICATIONS

ASTM procedure D2240-05, "Standard Test Method for Rubber Property-Durometer Hardness," (Published Apr. 2010).
 Van Meer et al., "A Disposable Plastic Compact Wrist for Smart Minimally Invasive Surgical Tools," LAAS/CNRS (Aug. 2005).
 Breedveld et al., "A New, Easily Miniaturized Sterrable Endoscope," IEEE Engineering in Medicine and Biology Magazine (Nov./Dec. 2005).
 Disclosed Anonymously, "Motor-Driven Surgical Stapler Improvements," Research Disclosure Database No. 526041, Published: Feb. 2008.
 B.R. Coolman, DVM, MS et al., "Comparison of Skin Staples With Sutures for Anastomosis of the Small Intestine in Dogs," Abstract; <http://www.blackwell-synergy.com/doi/abs/10.1053/jvet.2000.7539?cookieSet=1&journalCode=vsv> which redirects to <http://www3.interscience.wiley.com/journal/119040681/abstract?CRETRY=1&SRETRY=0>; [online] accessed: Sep. 22, 2008 (2 pages).
 D. Tuite, Ed., "Get the Lowdown on Ultracapacitors," Nov. 15, 2007; [online] URL: <http://electronicdesign.com/Articles/Print.cfm?ArticleID=17465>, accessed Jan. 15, 2008 (5 pages).
 Datasheet for Panasonic TK Relays Ultra Low Profile 2 A Polarized Relay, Copyright Matsushita Electric Works, Ltd. (Known of at least as early as Aug. 17, 2010), 5 pages.
 Schellhammer et al., "Poly-Lactic-Acid for Coating of Endovascular Stents: Preliminary Results in Canine Experimental Av-Fistulae," Mat.-wiss. u. Werkstofftech., 32, pp. 193-199 (2001).
 Miyata et al., "Biomolecule-Sensitive Hydrogels," Advanced Drug Delivery Reviews, 54 (2002) pp. 79-98.
 Jeong et al., "Thermosensitive Sol-Gel Reversible Hydrogels," Advanced Drug Delivery Reviews, 54 (2002) pp. 37-51.

(56)

References Cited

OTHER PUBLICATIONS

- Covidien Brochure, "Endo GIA™ Ultra Universal Stapler," (2010), 2 pages.
- Qiu et al., "Environment-Sensitive Hydrogels for Drug Delivery," *Advanced Drug Delivery Reviews*, 53 (2001) pp. 321-339.
- Hoffman, "Hydrogels for Biomedical Applications," *Advanced Drug Delivery Reviews*, 43 (2002) pp. 3-12.
- Hoffman, "Hydrogels for Biomedical Applications," *Advanced Drug Delivery Reviews*, 54 (2002) pp. 3-12.
- Peppas, "Physiologically Responsive Hydrogels," *Journal of Bioactive and Compatible Polymers*, vol. 6 (Jul. 1991) pp. 241-246.
- Peppas, Editor "Hydrogels in Medicine and Pharmacy," vol. I, *Fundamentals*, CRC Press, 1986.
- Young, "Microcellular foams via phase separation," *Journal of Vacuum Science & Technology A* 4(3), (May/Jun. 1986).
- Ebara, "Carbohydrate-Derived Hydrogels and Microgels," *Engineered Carbohydrate-Based Materials for Biomedical Applications: Polymers, Surfaces, Dendrimers, Nanoparticles, and Hydrogels*, Edited by Ravin Narain, 2011, pp. 337-345. <http://ninpgan.net/publications/51-100/89.pdf>; 2004, Ning Pan, On Uniqueness of Fibrous Materials, *Design & Nature II*. Eds: Colins, M. and Brebbia, C. WIT Press, Boston, 493-504.
- Solorio et al., "Gelatin Microspheres Crosslinked with Genipin for Local Delivery of Growth Factors," *J. Tissue Eng. Regen. Med.* (2010), 4(7): pp. 514-523.
- Covidien Brochure, "Endo GIA™ Reloads with Tri-Staple™ Technology," (2010), 1 page.
- Covidien Brochure, "Endo GIA™ Reloads with Tri-Staple™ Technology and Endo GIA™ Ultra Universal Staplers," (2010), 2 pages.
- Covidien Brochure, "Endo GIA™ Curved Tip Reload with Tri-Staple™ Technology," (2012), 2 pages.
- Covidien Brochure, "Endo GIA™ Reloads with Tri-Staple™ Technology," (2010), 2 pages.
- Pitt et al., "Attachment of Hyaluronan to Metallic Surfaces," *J. Biomed. Mater. Res.* 68A: pp. 95-106, 2004.
- Indian Standard: Automotive Vehicles—Brakes and Braking Systems (IS 11852-1:2001), Mar. 1, 2001.
- Allegro MicroSystems, LLC, Automotive Full Bridge MOSFET Driver, A3941-DS, Rev. 5, 21 pages, <http://www.allegromicro.com/~media/Files/Datasheets/A3941-Datasheet.ashx?la=en>.
- Data Sheet of LM4F230H5QR, 2007.
- Seils et al., Covidien Summary: Clinical Study "UCONN Biodynamics: Final Report on Results," (2 pages).
- Byrne et al., "Molecular Imprinting Within Hydrogels," *Advanced Drug Delivery Reviews*, 54 (2002) pp. 149-161.
- Fast, Versatile Blackfin Processors Handle Advanced RFID Reader Applications; *Analog Dialogue*: vol. 40—Sep. 2006; <http://www.analog.com/library/analogDialogue/archives/40-09/rfid.pdf>; Wayback Machine to Feb. 15, 2012.
- Chen et al., "Elastomeric Biomaterials for Tissue Engineering," *Progress in Polymer Science* 38 (2013), pp. 584-671.
- Matsuda, "Thermodynamics of Formation of Porous Polymeric Membrane from Solutions," *Polymer Journal*, vol. 23, No. 5, pp. 435-444 (1991).
- Covidien Brochure, "Endo GIA™ Black Reload with Tri-Staple™ Technology," (2012), 2 pages.
- Biomedical Coatings, Fort Wayne Metals, Research Products Corporation, obtained online at www.fwmetals.com on Jun. 21, 2010 (1 page).
- The Sodem Aseptic Battery Transfer Kit, Sodem Systems, 2000, 3 pages.
- C.C. Thompson et al., "Peroral Endoscopic Reduction of Dilated Gastrojejunal Anastomosis After Roux-en-Y Gastric Bypass: A Possible New Option for Patients with Weight Regain," *Surg Endosc* (2006) vol. 20., pp. 1744-1748.
- Serial Communication Protocol; Michael Lemmon Feb. 1, 2009; <http://www3.nd.edu/~lemmon/courses/ee224/web-manual/web-manual/lab12/node2.html>; Wayback Machine to Apr. 29, 2012.
- Lyon et al. "The Relationship Between Current Load and Temperature for Quasi-Steady State and Transient Conditions," *SPIE—International Society for Optical Engineering. Proceedings*, vol. 4020, (pp. 62-70), Mar. 30, 2000.
- Anonymous: "Sense & Control Application Note Current Sensing Using Linear Hall Sensors," Feb. 3, 2009, pp. 1-18. Retrieved from the Internet: URL: http://www.infineon.com/dgdl/Current_Sensing_Rev.1.1.pdf?fileId=db3a304332d040720132d939503e5f17 [retrieved on Oct. 18, 2016].
- Mouser Electronics, "LM317M 3—Terminal Adjustable Regulator with Overcurrent/Overtemperature Self Protection", Mar. 31, 2014 (Mar. 31, 2014), XP0555246104, Retrieved from the Internet: URL: <http://www.mouser.com/ds/2/405/lm317m-440423.pdf>, pp. 1-8.
- Mouser Electronics, "LM317 3-Terminal Adjustable Regulator with Overcurrent/Overtemperature Self Protection", Sep. 30, 2016 (Sep. 30, 2016), XP0555246104, Retrieved from the Internet: URL: <http://www.mouser.com/ds/2/405/lm317m-440423.pdf>, pp. 1-9.
- Cuper et al., "The Use of Near-Infrared Light for Safe and Effective Visualization of Subsurface Blood Vessels to Facilitate Blood Withdrawal in Children," *Medical Engineering & Physics*, vol. 35, No. 4, pp. 433-440 (2013).
- Yan et al, Comparison of the effects of Mg—6Zn and Ti—3Al-2.5V alloys on TGF-β/TNF-α/VEGF/b-FGF in the healing of the intestinal track in vivo, *Biomed. Mater.* 9 (2014), 11 pages.
- Pellicer et al. "On the biodegradability, mechanical behavior, and cytocompatibility of amorphous Mg72Zn23Ca5 and crystalline Mg70Zn23Ca5Pd2 alloys as temporary implant materials," *J Biomed Mater Res Part A*, 2013:101A:502-517.
- Anonymous, *Analog Devices Wiki*, Chapter 11: the Current Mirror, Aug. 20, 2017, 22 pages. <https://wiki.analog.com/university/courses/electronics/text/chapter-11?rev=1503222341>.
- Yan et al., "Comparison of the effects of Mg—6Zn and titanium on intestinal tract in vivo," *J Mater Sci: Mater Med* (2013), 11 pages.
- Brar et al., "Investigation of the mechanical and degradation properties of Mg—Sr and Mg—Zn—Sr alloys for use as potential biodegradable implant materials," *J. Mech. Behavior of Biomed. Mater.* 7 (2012) pp. 87-95.
- Texas Instruments: "Current Recirculation and Decay Modes," *Application Report SLVA321—Mar. 2009*; Retrieved from the Internet: URL:<http://www.ti.com/lit/an/slva321/slva321> [retrieved on Apr. 25, 2017], 7 pages.
- Qiu Li Loh et al.: "Three-Dimensional Scaffolds for Tissue Engineering Applications: Role of Porosity and Pore Size", *Tissue Engineering Part B—Reviews*, vol. 19, No. 6, Dec. 1, 2013, pp. 485-502.
- Gao et al., "Mechanical Signature Enhancement of Response Vibrations in the Time Lag Domain," *Fifth International Congress on Sound and Vibration*, Dec. 15-18, 1997, pp. 1-8.
- Trendafilova et al., "Vibration-based Methods for Structural and Machinery Fault Diagnosis Based on Nonlinear Dynamics Tools," in: *Fault Diagnosis in Robotic and Industrial Systems*, IConcept Press LTD, 2012, pp. 1-29.
- Youtube.com; video by Fibran (retrieved from URL <https://www.youtube.com/watch?v=vN2Qjt51gFQ>); (Year: 2018).
- Lee, Youbok, "Antenna Circuit Design for RFID Applications," 2003, pp. 1-50, DS00710C, Microchip Technology Inc., Available: <http://ww1.microchip.com/downloads/en/AppNotes/00710c.pdf>.
- Kawamura, Atsuo, et al. "Wireless Transmission of Power and Information Through One High-Frequency Resonant AC Link Inverter for Robot Manipulator Applications," *Journal*, May/Jun. 1996, pp. 503-508, vol. 32, No. 3, *IEEE Transactions on Industry Applications*.
- Honda HS1332AT and ATD Model Info, powerequipment.honda.com [online], published on or before Mar. 22, 2016, [retrieved on May 31, 2019], retrieved from the Internet [URL: <https://powerequipment.honda.com/snowblowers/models/hss1332at-hss1332atd>] {Year: 2016}.
- Slow Safety Sign, shutterstock.com [online], published on or before May 9, 2017, [retrieved on May 31, 2019], retrieved from the [https://www.shutterstock.com/image-vector/slow-safety-sign-twodimensional-turtle-symbolizing- . . .](https://www.shutterstock.com/image-vector/slow-safety-sign-twodimensional-turtle-symbolizing-...) see PDF in file for full URL] (Year: 2017).
- Warning Sign Beveled Buttons, by Peter, flarestock.com [online], published on or before Jan. 1, 2017, [retrieved on Jun. 4, 2019],

(56)

References Cited

OTHER PUBLICATIONS

retrieved from the Internet [URL: <https://www.flarestock.com/stock-images/warning-sign-beveled-buttons/70257>] (Year: 2017).

Arrow Sign Icon Next Button, by Blan-k, shutterstock.com [online], published on or before Aug. 6, 2014, [retrieved on Jun. 4, 2019], retrieved from the Internet [URL: <https://www.shutterstock.com/de/image-vector/arrow-sign-icon-next-button-navigation-207700303?irgwc=1&utm...> see PDF in file for full URL] (Year: 2014).

Elite Icons, by smart/icons, iconfinder.com [online], published on Aug. 18, 2016, [retrieved on Jun. 4, 2019], retrieved from the Internet [URL: <https://www.iconfinder.com/iconsets/elite>] (Year: 2016).

Tutorial overview of inductively coupled RFID Systems, UPM, May 2003, pp. 1-7, UPM Rafsec, <<http://cdn.mobiusconsulting.com/papers/rfidsystems.pdf>>.

Schroeter, John, "Demystifying UHF Gen 2 RFID, HF RFID," Online Article, Jun. 2, 2008, pp. 1-3, <<https://www.edn.com/design/industrial-control/4019123/Demystifying-UHF-Gen-2-RFID-HF-RFID>>.

Adeeb, et al., "An Inductive Link-Based Wireless Power Transfer System for Biomedical Applications," Research Article, Nov. 14, 2011, pp. 1-12, vol. 2012, Article ID 879294, Hindawi Publishing Corporation.

Pushing Pixels (GIF), published on dribbble.com, 2013.

Sodium stearate C₁₈H₃₅NaO₂, Chemspider Search and Share Chemistry, Royal Society of Chemistry, pp. 1-3, 2015, <http://www.chemspider.com/Chemical-Structure.12639.html>, accessed May 23, 2016.

NF Monographs: Sodium Stearate, U.S. Pharmacopeia, http://www.pharmacopeia.cn/v29240/usp29nf24s0_m77360.html, accessed May 23, 2016.

Fischer, Martin H, "Colloid-Chemical Studies on Soaps", The Chemical Engineer, pp. 184-193, Aug. 1919.

V.K. Ahluwalia and Madhuri Goyal, A Textbook of Organic Chemistry, Section 19.11.3, p. 356, 2000.

Forum discussion regarding "Speed is Faster", published on Oct. 1, 2014 and retrieved on Nov. 8, 2019 from URL [https://english.](https://english.stackexchange.com/questions/199018/how-is-that-correct-speed-is-faster-or-prices-are-cheaper)

[stackexchange.com/questions/199018/how-is-that-correct-speed-is-faster-or-prices-are-cheaper](https://english.stackexchange.com/questions/199018/how-is-that-correct-speed-is-faster-or-prices-are-cheaper) (Year: 2014).

"Understanding the Requirements of ISO/IEC 14443 for Type B Proximity Contactless Identification Cards," retrieved from <https://www.digchip.com/application-notes/22/15746.php> on Mar. 2, 2020, pp. 1-28 (Nov. 2005).

Jauchem, J.R., "Effects of low-level radio-frequency (3 kHz to 300 GHz) energy on human cardiovascular, reproductive, immune, and other systems: A review of the recent literated," Int. J. Hyg. Environ. Health 211 (2008) 1-29.

Sandvik, "Welding Handbook," <https://www.meting.rs/wp-content/uploads/2018/05/welding-handbook.pdf>, retrieved on Jun. 22, 2020, pp. 5-6.

Ludois, Daniel C., "Capacitive Power Transfer for Rotor Field Current in Synchronous Machines," IEEE Transactions on Power Electronics, Institute of Electrical and Electronics Engineers, USA, vol. 27, No. 11, Nov. 1, 2012, pp. 4638-4645.

Rotary Systems: Sealed Slip Ring Categories, Rotary Systems, May 22, 2017, retrieved from the internet: <http://web.archive.org/web/20170522174710/http://rotarysystems.com:80/slip-rings/sealed/>, retrieved on Aug. 12, 2020, pp. 1-2.

IEEE Std 802.3-2012 (Revision of IEEE Std 802.3-2008), published Dec. 28, 2012.

"ATM-MPLS Network Interworking Version 2.0, af-aic-0178.001" ATM Standard, The ATM Forum Technical Committee, published Aug. 2003.

Yang et al.; "4D printing reconfigurable, deployable and mechanically tunable metamaterials," Material Horizons, vol. 6, pp. 1244-1250 (2019).

"Council Directive 93/42/EEC of Jun. 14, 1993 Concerning Medical Devices," Official Journal of the European Communities, L&C. Legislation and Competition, S, No. L 169, Jun. 14, 1993, pp. 1-43.

Arjo Loeve et al., Scopes Too Flexible . . . and Too Stiff, 2010, IEEE Pulse, Nov./Dec. 2010 (Year: 2010), 16 pages.

Molina, "Low Level Reader Protocol (LLRP)," Oct. 13, 2010, pp. 1-198.

* cited by examiner

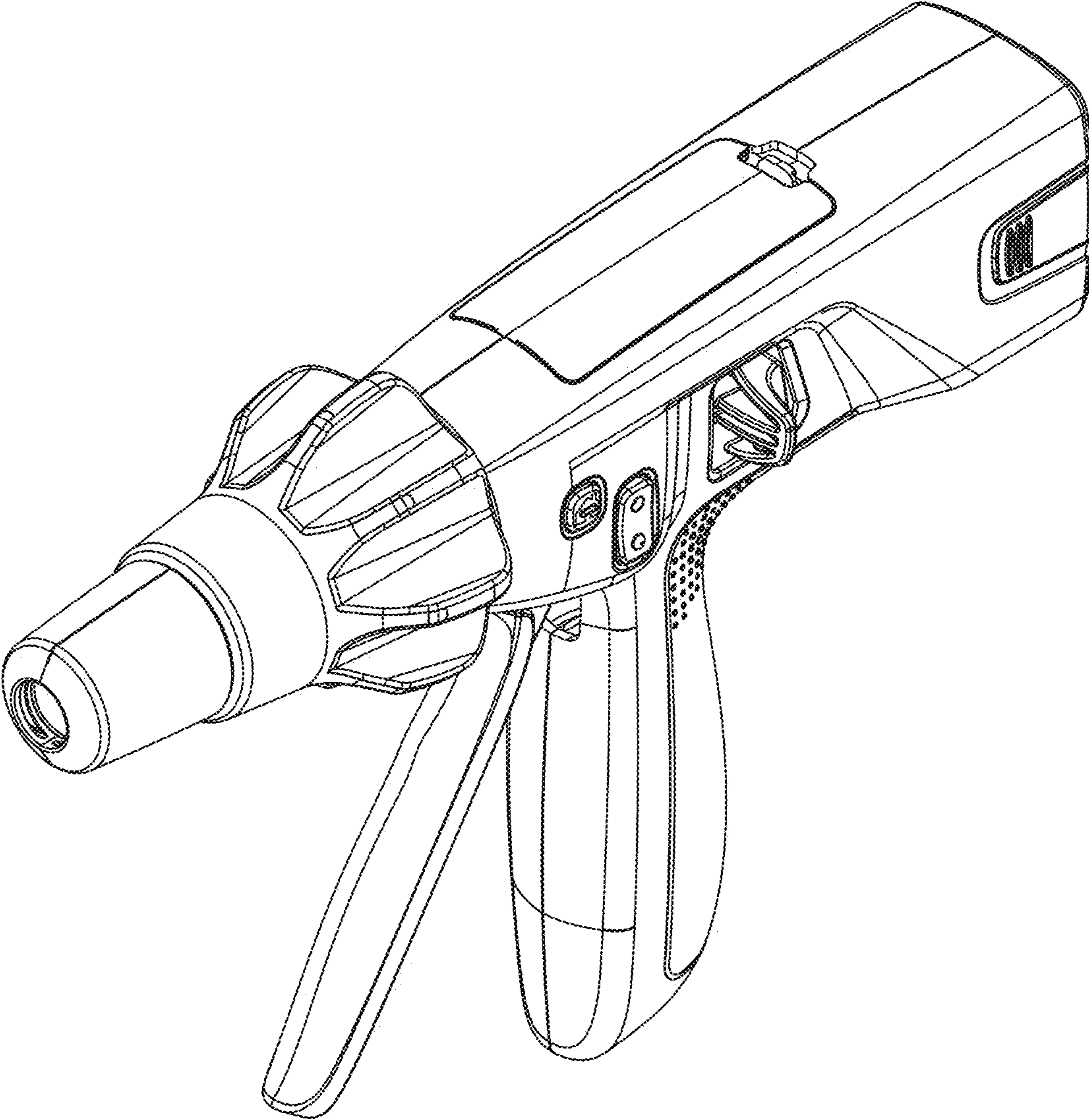


FIG. 1

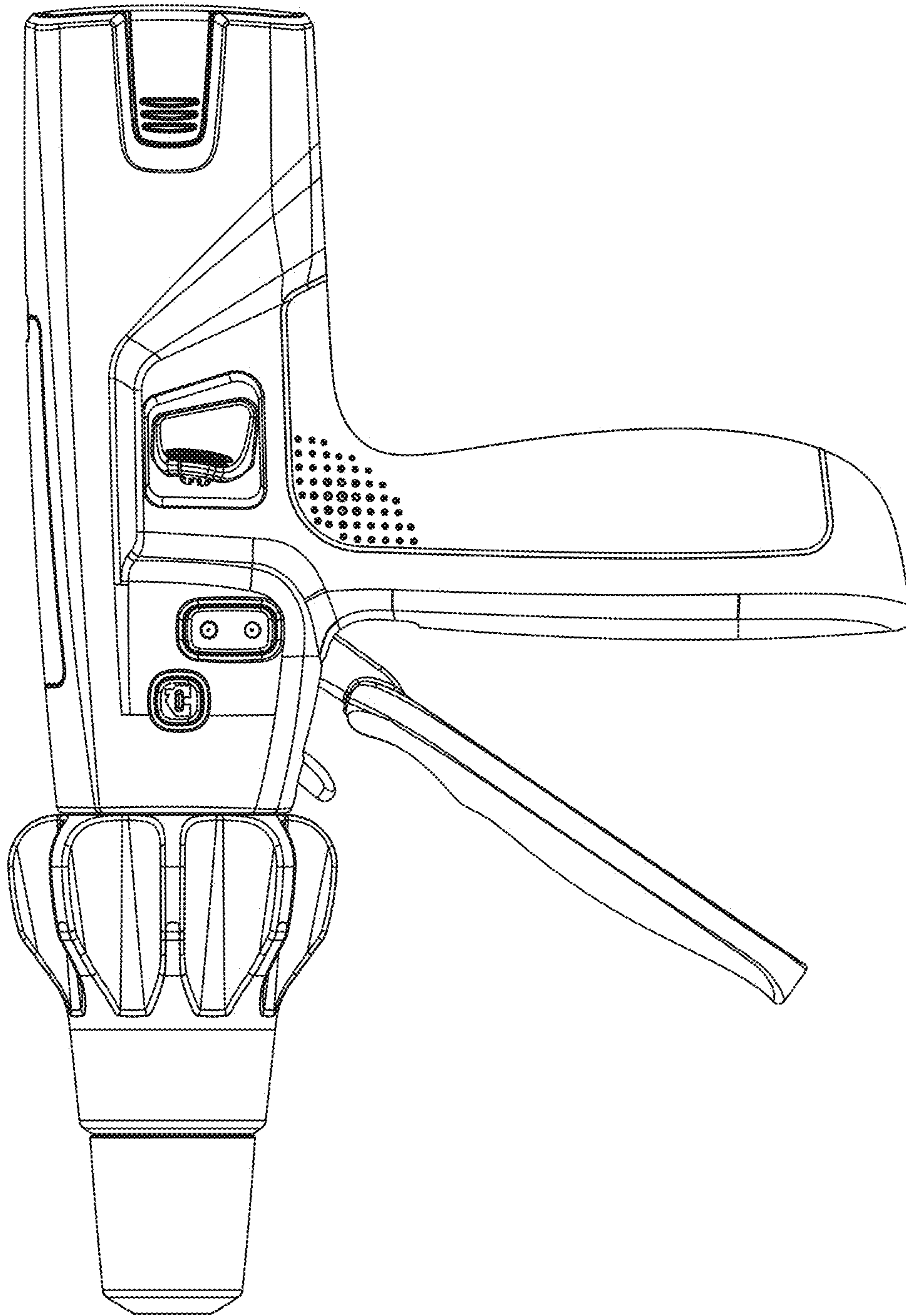


FIG. 2

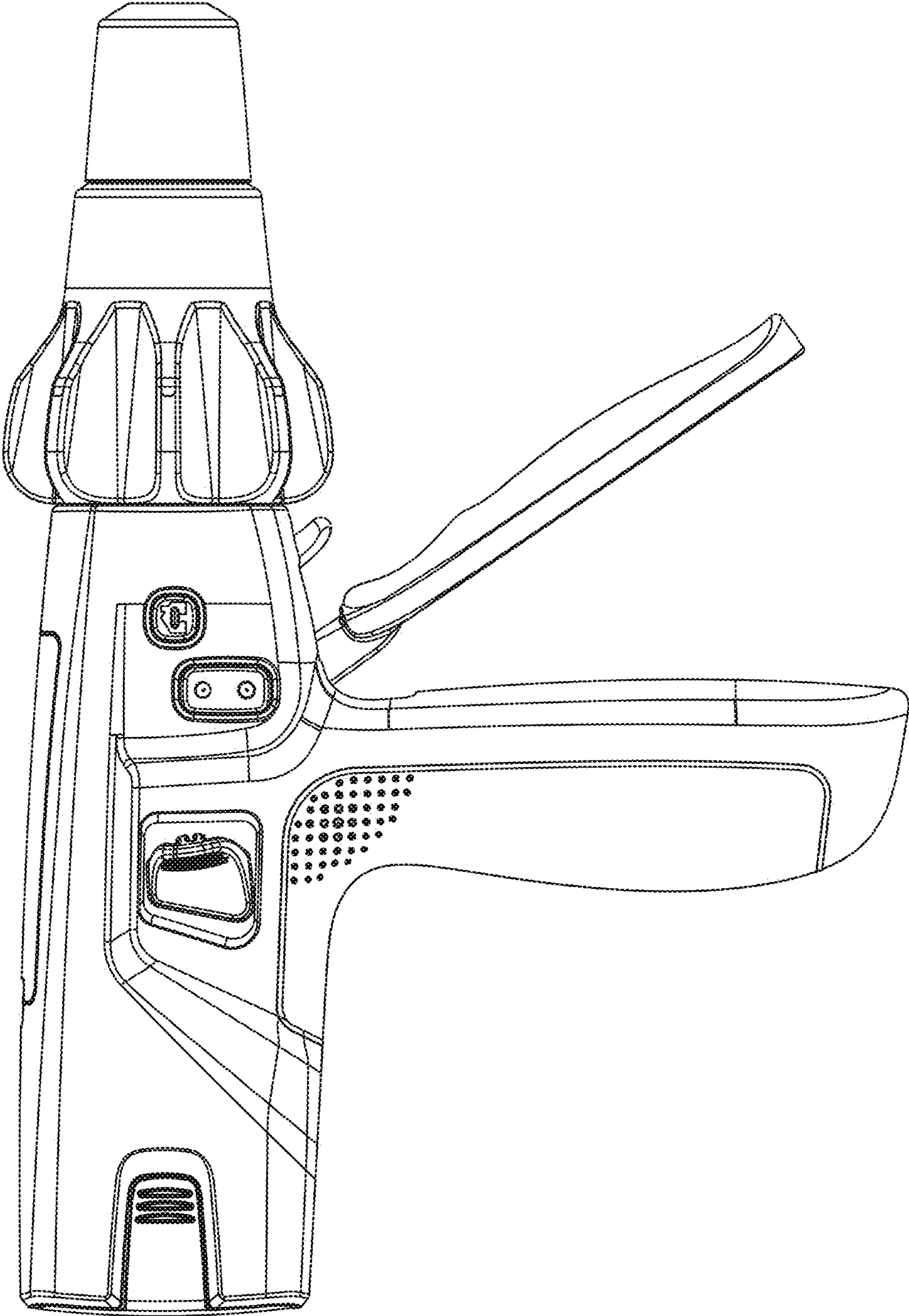


FIG. 3

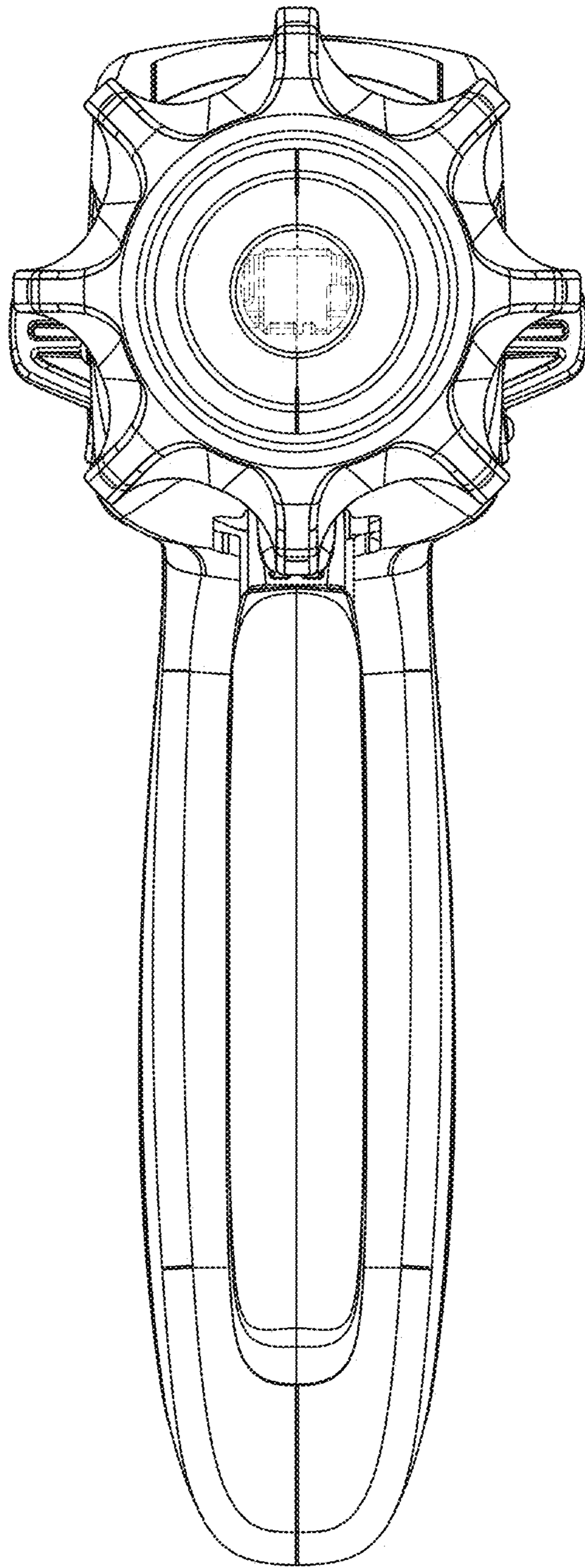


FIG. 4

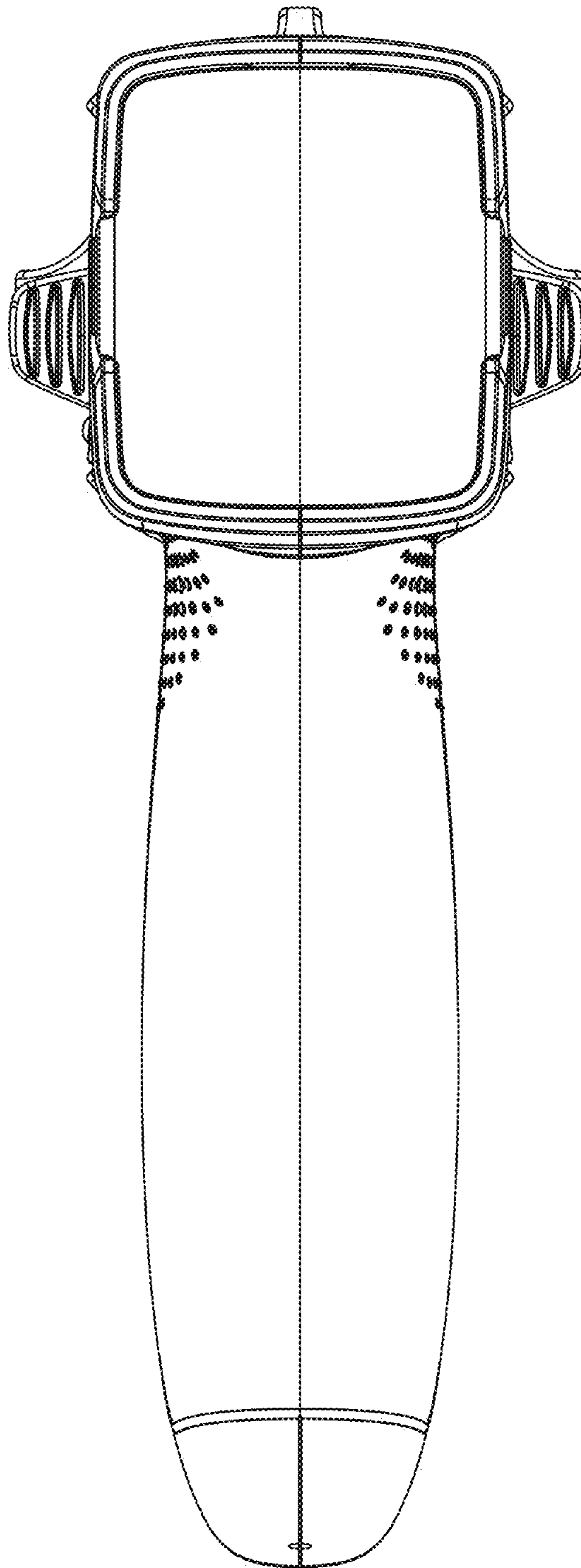


FIG. 5

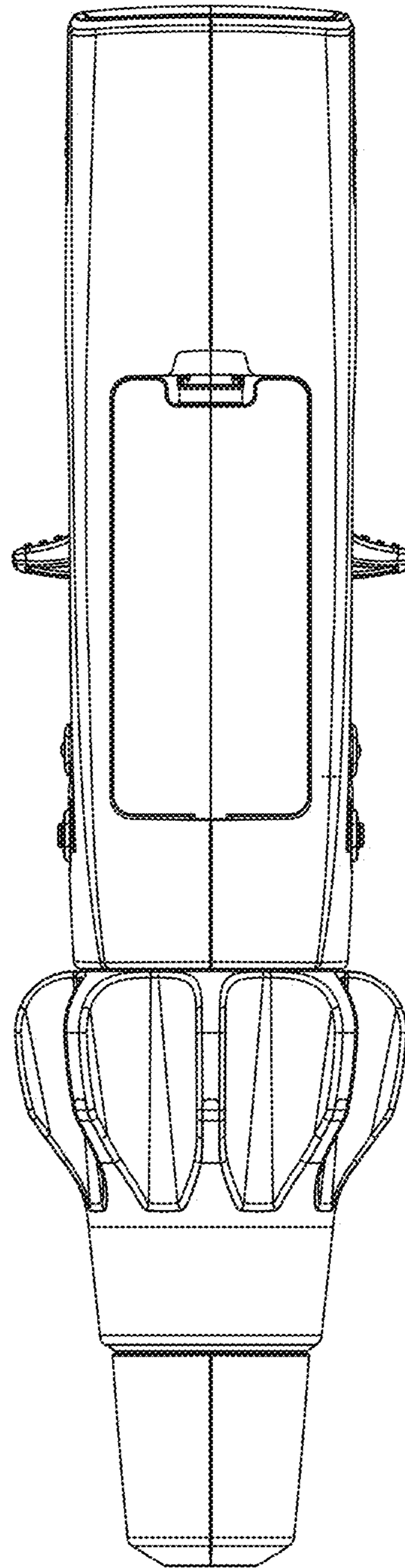


FIG. 6

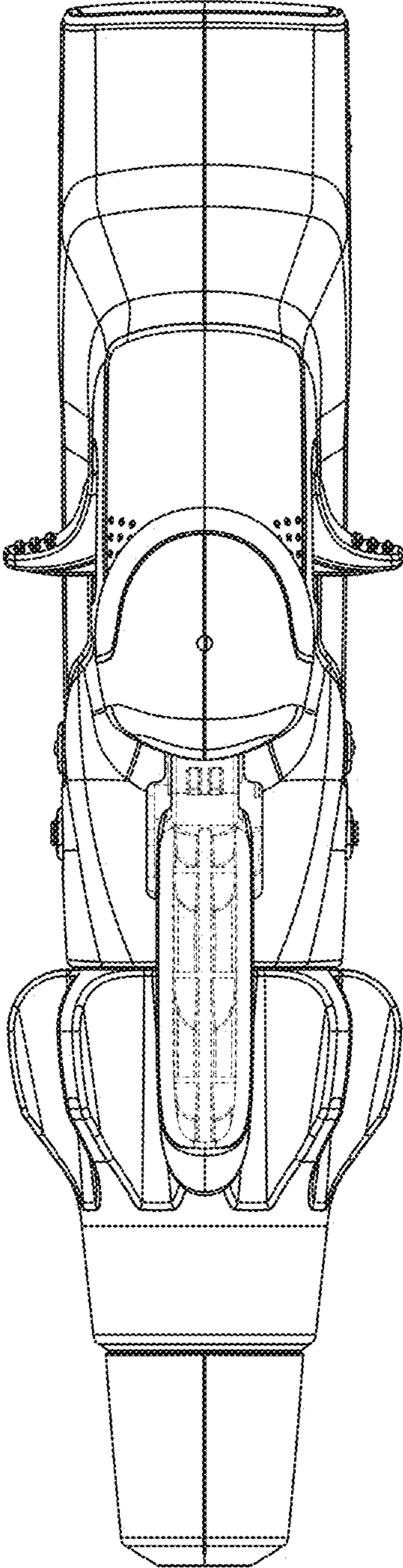


FIG. 7