



US00D980424S

(12) **United States Design Patent** (10) **Patent No.:** **US D980,424 S**  
**Allen et al.** (45) **Date of Patent:** **\*\* Mar. 7, 2023**

(54) **TISSUE ANCHOR**  
(71) Applicant: **Coloplast A/S**  
(72) Inventors: **John J. Allen**, Mendota Heights, MN (US); **John Clegg**, Minneapolis, MN (US); **Mark A. Moschel**, Plymouth, MN (US); **Sarah J. Schuchardt**, Minneapolis, MN (US)

7,320,701 B2 1/2008 Haut et al.  
D572,546 S 7/2008 Stahm  
7,914,437 B2 3/2011 Gozzi et al.  
8,409,075 B2 4/2013 Chu  
8,579,797 B2 11/2013 Arnal et al.  
8,771,314 B2 7/2014 Crombie et al.  
9,198,747 B2 12/2015 De Leval  
9,510,822 B2 12/2016 Poucher et al.  
9,877,818 B2 1/2018 Poucher et al.

(Continued)

(73) Assignee: **Coloplast A/S**, Humlebaek (DK)

**FOREIGN PATENT DOCUMENTS**

(\*\*) Term: **15 Years**

CA 2677386 8/2009  
EP 1484022 B1 6/2008

(Continued)

(21) Appl. No.: **29/732,995**

*Primary Examiner* — Wan Laymon

(22) Filed: **Apr. 29, 2020**

(74) *Attorney, Agent, or Firm* — Coloplast Corp., Coloplast A/S; Nick Baumann

(51) **LOC (14) Cl.** ..... **24-02**

(52) **U.S. Cl.**  
USPC ..... **D24/145**

(58) **Field of Classification Search**  
USPC ..... D24/145  
CPC ..... A61B 17/0401; A61B 2017/0404; A61B 2017/0464

See application file for complete search history.

(57) **CLAIM**

The ornamental design for a tissue anchor, as shown and described.

**DESCRIPTION**

FIG. 1 is an isometric view of a design for a tissue anchor. FIG. 2 is a front side view of the design for the tissue anchor. FIG. 3 is a back side view of the design for the tissue anchor. FIG. 4 is a right side view of the design for the tissue anchor. FIG. 5 is a left side view of the design for the tissue anchor. FIG. 6 is a top side view of the design for the tissue anchor; and, FIG. 7 is a bottom side view of the design for the tissue anchor.

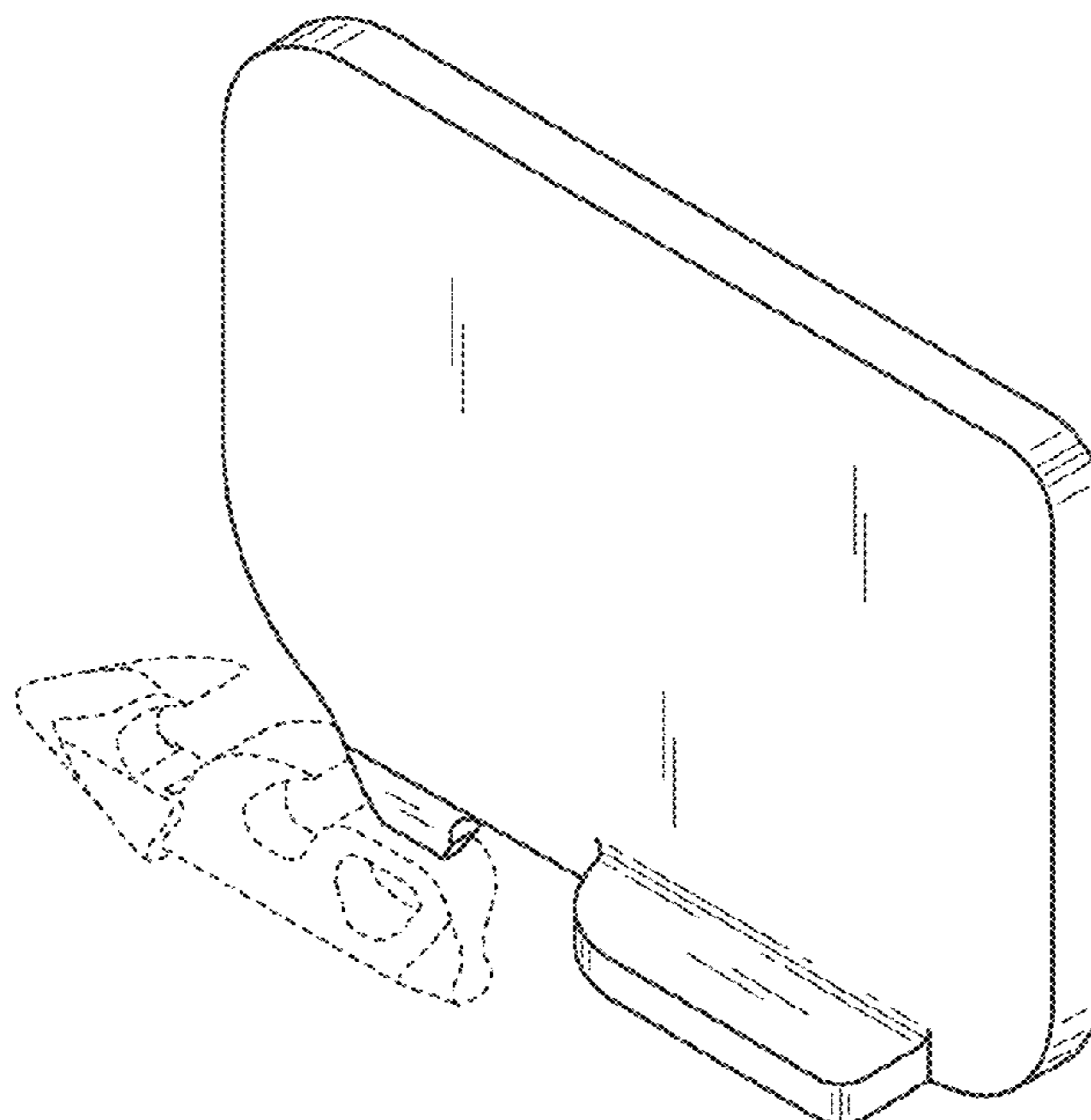
The broken lines shown in the drawings are included for the purpose of illustrating environmental structure of the tissue anchor and form no part of the claimed design.

**1 Claim, 7 Drawing Sheets**

(56) **References Cited**

**U.S. PATENT DOCUMENTS**

2,988,028 A \* 6/1961 Alcamo ..... A61B 17/0491  
112/159  
5,683,418 A \* 11/1997 Luscombe ..... A61B 17/0401  
606/907  
6,306,158 B1 \* 10/2001 Bartlett ..... A61B 17/0401  
606/232  
6,502,578 B2 1/2003 Raz et al.  
6,506,197 B1 1/2003 Rollero et al.  
6,595,911 B2 7/2003 Lovuolo  
6,641,524 B2 11/2003 Kovac  
6,695,855 B1 2/2004 Gaston



(56)

References Cited

U.S. PATENT DOCUMENTS

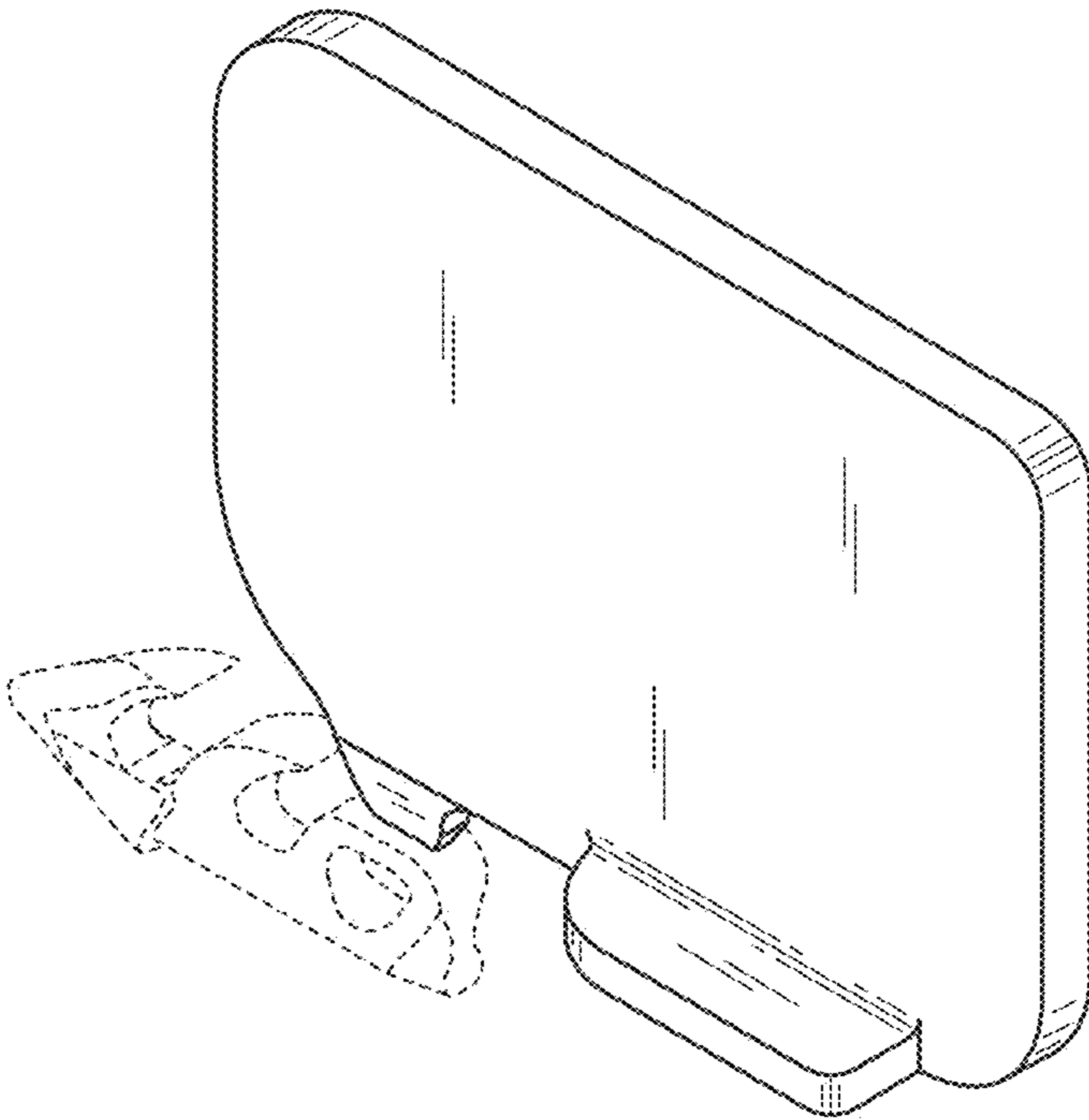
2002/0019649 A1 2/2002 Sikora et al.  
 2004/0002734 A1 1/2004 Fallin et al.  
 2004/0243178 A1 12/2004 Haut et al.  
 2005/0019368 A1 1/2005 Cook et al.  
 2006/0030884 A1 2/2006 Yeung et al.  
 2009/0041548 A1 2/2009 Stahm  
 2009/0137862 A1 5/2009 Evans et al.  
 2009/0171143 A1 7/2009 Chu et al.  
 2009/0248068 A1\* 10/2009 Lombardo ..... A61B 17/0401  
 606/232  
 2009/0312794 A1\* 12/2009 Nason ..... A61B 17/0401  
 606/232  
 2010/0004683 A1\* 1/2010 Hoof ..... A61B 17/0401  
 606/232  
 2010/0105979 A1 4/2010 Hamel et al.  
 2010/0191045 A1 7/2010 Gobron et al.  
 2010/0197999 A1 8/2010 Deegan et al.  
 2010/0269422 A1 10/2010 Stahm  
 2011/0022061 A1 1/2011 Orphanos et al.  
 2011/0218387 A1 9/2011 Lamson et al.  
 2011/0297161 A1 12/2011 Deitch  
 2012/0035654 A1 2/2012 Belson  
 2013/0006045 A1 1/2013 Deitch et al.  
 2013/0012765 A1 1/2013 Vemuri et al.

2013/0023724 A1 1/2013 Allen et al.  
 2013/0204297 A1\* 8/2013 Melsheimer ..... A61B 17/0401  
 606/232  
 2013/0238023 A1 9/2013 Wales et al.  
 2013/0245700 A1 9/2013 Choinski  
 2013/0253260 A1 9/2013 Lund et al.  
 2013/0325063 A1 12/2013 Norton et al.  
 2014/0128914 A1 5/2014 Deitch et al.  
 2015/0297333 A1 10/2015 Poucher et al.  
 2017/0245974 A1 8/2017 Poucher et al.  
 2021/0338226 A1\* 11/2021 Allen ..... A61B 17/0401

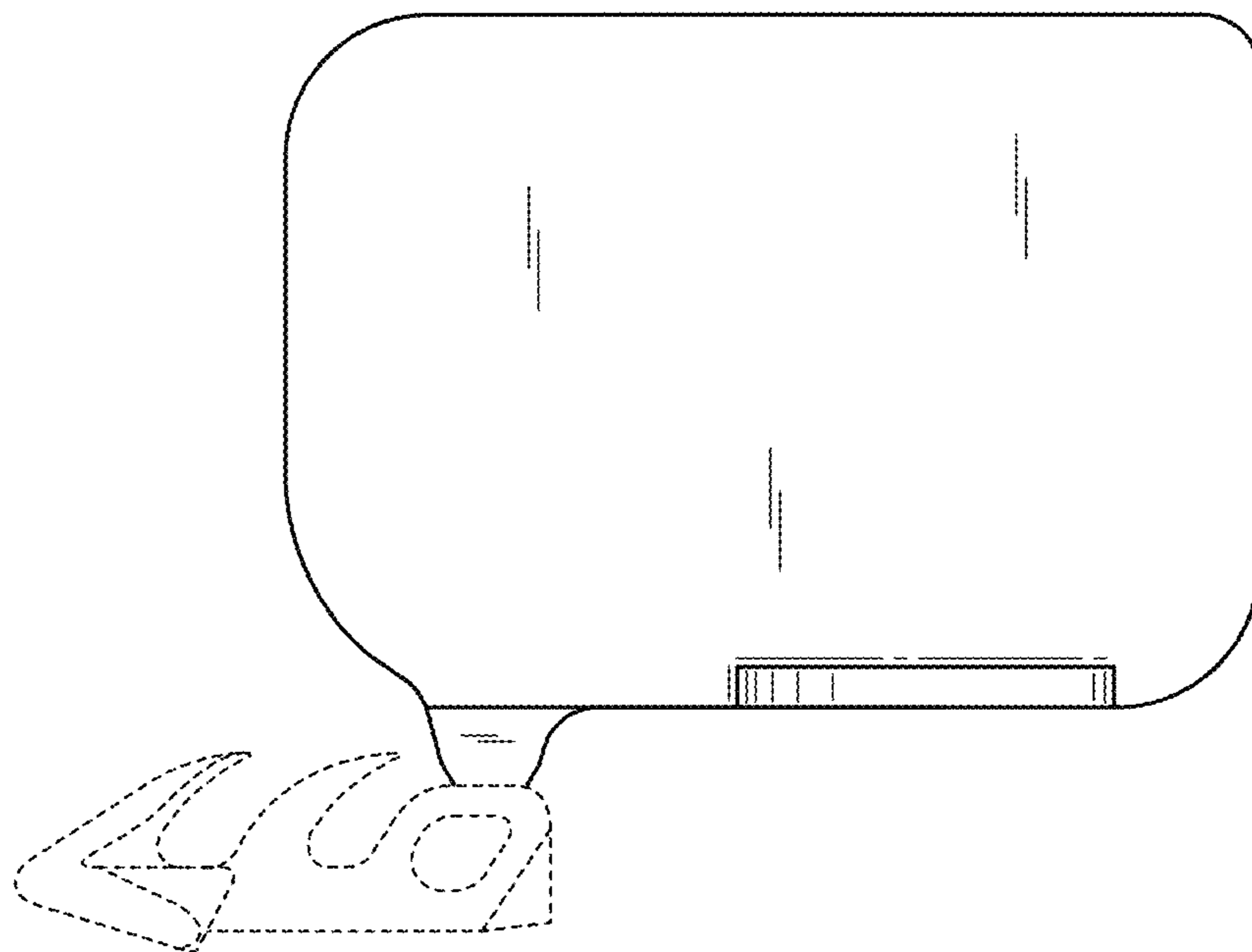
FOREIGN PATENT DOCUMENTS

EP 2134265 B1 6/2012  
 EP 2543341 B1 7/2016  
 EP 2740415 B1 2/2017  
 EP 2727539 B1 1/2018  
 EP 2277456 B1 4/2018  
 EP 3028649 B1 8/2018  
 WO 2007097994 A2 8/2007  
 WO 2008107026 A2 9/2008  
 WO 2010062851 A1 6/2010  
 WO 2013006866 A1 1/2013  
 WO 2013044228 A1 3/2013

\* cited by examiner



**FIG. 1**



**FIG. 2**

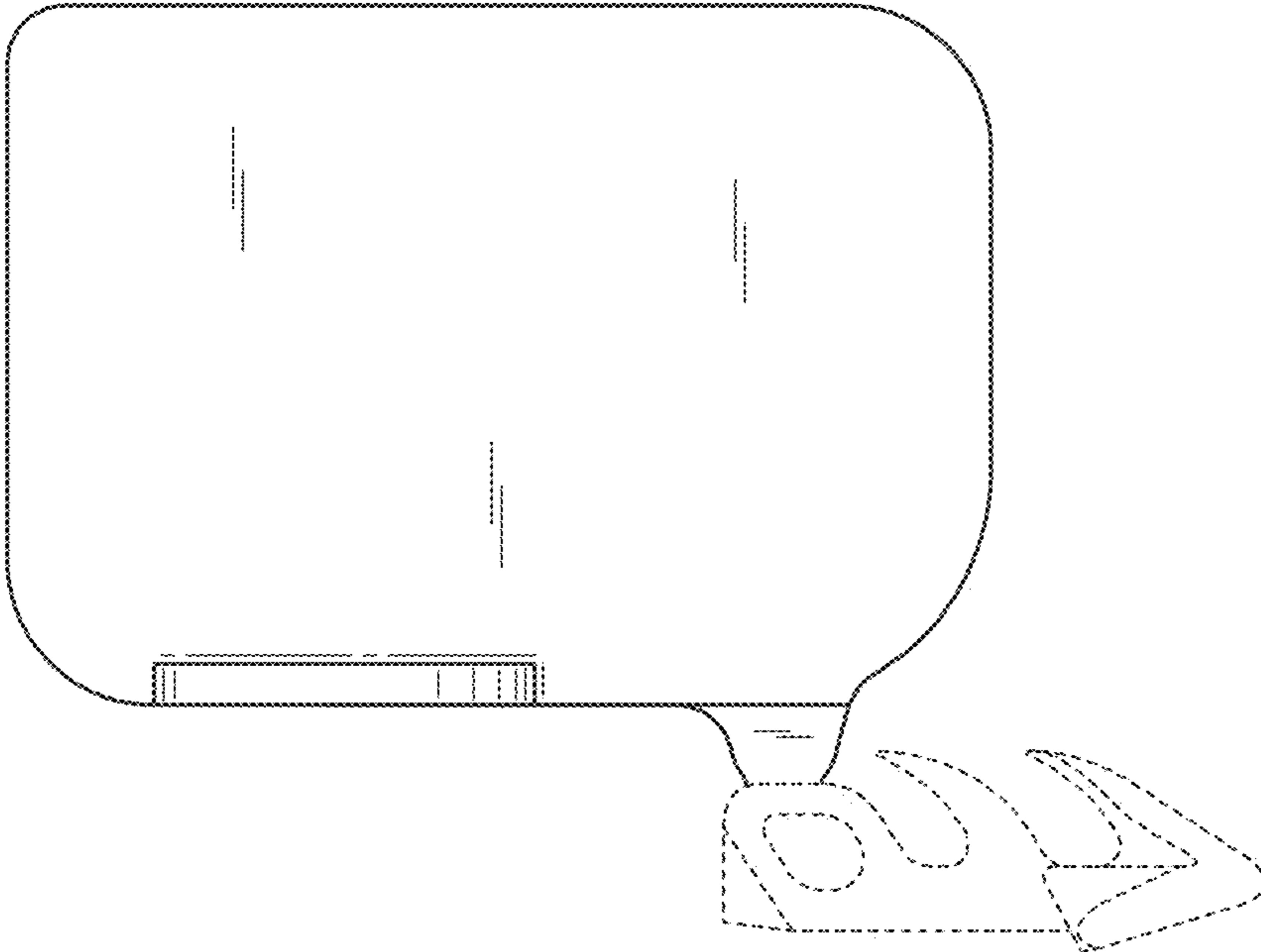
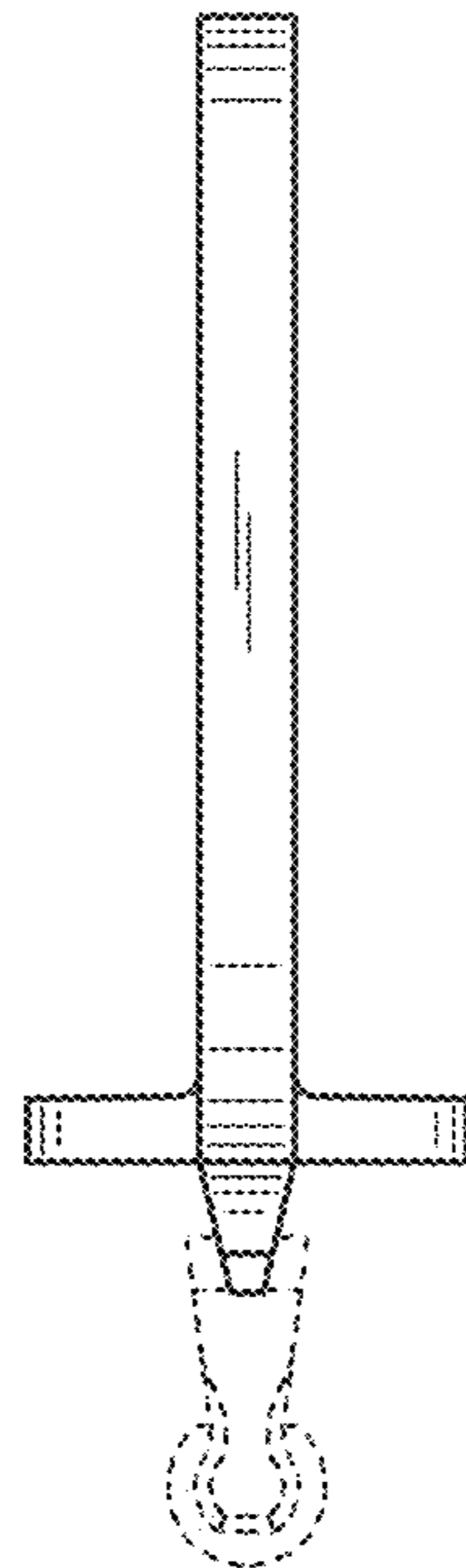
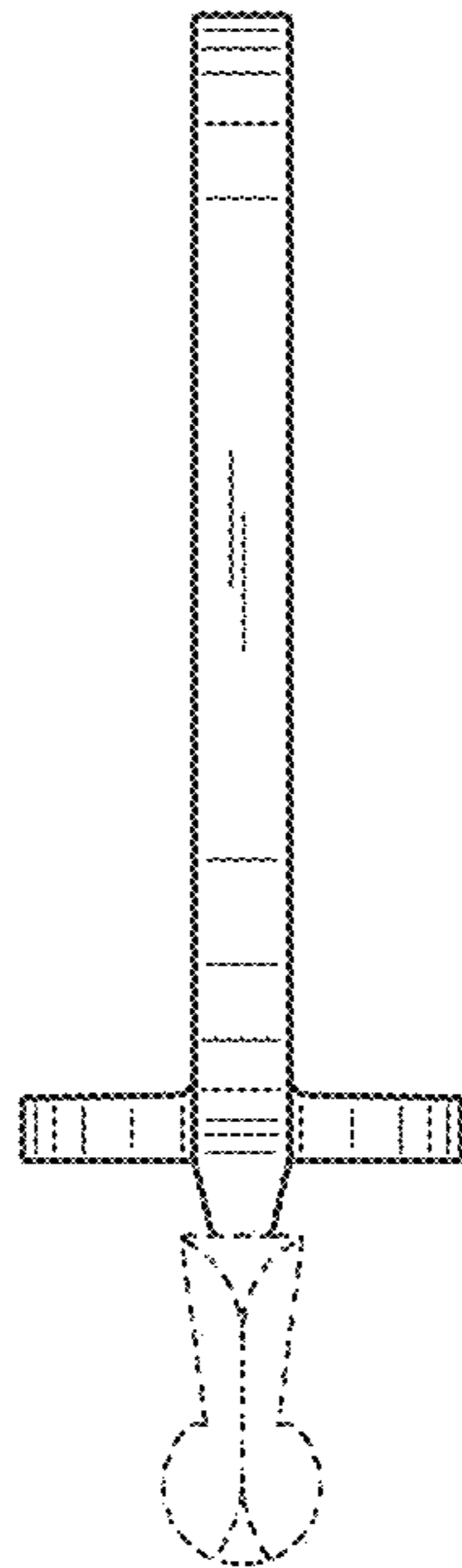


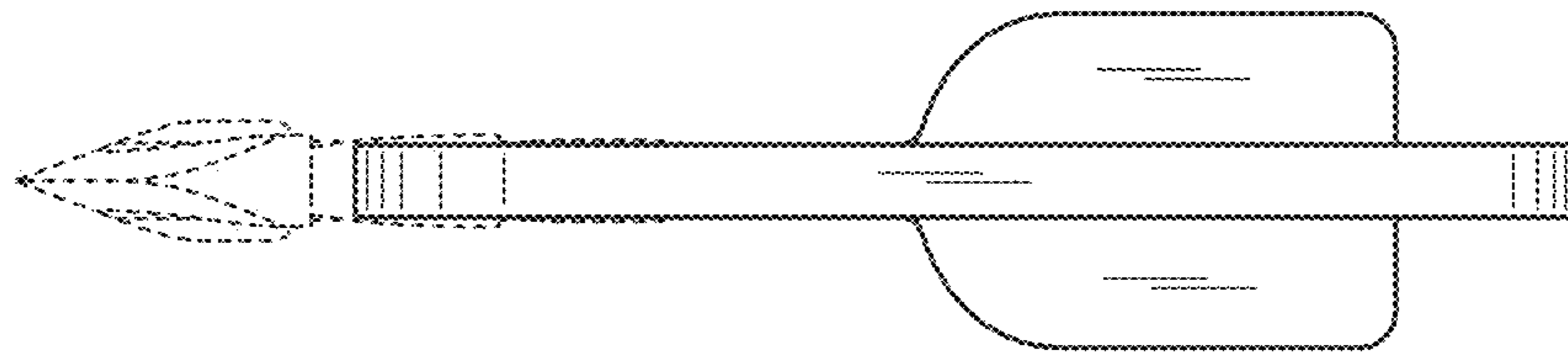
FIG. 3



**FIG. 4**

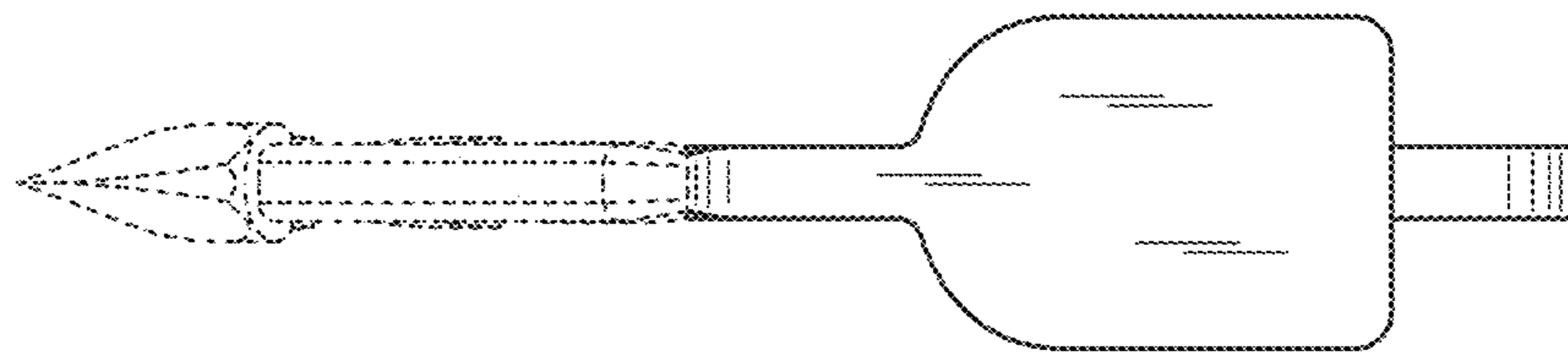


**FIG. 5**



**FIG. 6**





**FIG. 7**