



US00D980423S

(12) **United States Design Patent**
Tang et al.

(10) **Patent No.:** **US D980,423 S**

(45) **Date of Patent:** **** Mar. 7, 2023**

(54) **ANGLE RECORDER FOR SURGERY**

(71) Applicant: **HUNAN ZHUOSHI CHUANGSI TECHNOLOGY CO., LTD.**, Hunan (CN)

(72) Inventors: **Dan Tang**, Hunan (CN); **Lingyun Zhang**, Hunan (CN)

(73) Assignee: **Hunan Zhuoshi Chuangsi Technology Co., Ltd.**, Hunan (CN)

(**) Term: **15 Years**

(21) Appl. No.: **29/782,577**

(22) Filed: **May 7, 2021**

(30) **Foreign Application Priority Data**

Feb. 8, 2021 (CN) 202130090240.6

(51) **LOC (14) Cl.** **24-02**

(52) **U.S. Cl.**
USPC **D24/140**

(58) **Field of Classification Search**
USPC D24/140, 133, 155, 152, 176, 181, 156, D24/180
CPC . A61B 90/06; A61B 2090/061; A61F 2/4657; A61F 2002/4658
See application file for complete search history.

(56) **References Cited**

U.S. PATENT DOCUMENTS

- D274,093 S * 5/1984 Kenna D24/140
- D403,066 S * 12/1998 DeFonzo D24/135
- D417,276 S * 11/1999 DeFonzo D24/135
- 6,193,723 B1 * 2/2001 Cripe A61B 17/1764
606/88
- 7,927,336 B2 * 4/2011 Rasmussen A61B 17/155
606/88
- D638,124 S * 5/2011 Hirabayashi D24/140

- D643,923 S * 8/2011 Senda D24/128
 - D651,317 S * 12/2011 May D24/140
 - 8,740,910 B2 * 6/2014 McMillen A61B 90/06
606/88
 - 9,681,963 B2 * 6/2017 Leslie A61B 17/155
 - D876,624 S * 2/2020 Theobald D24/133
 - D961,073 S * 8/2022 Jamison D24/140
 - 2006/0241634 A1 * 10/2006 Tuttle A61F 2/4657
606/86 R
 - 2014/0336659 A1 * 11/2014 Emslie A61F 2/4657
606/88
 - 2016/0361178 A1 * 12/2016 Budhabhatti A61B 17/1764
 - 2020/0107942 A1 * 4/2020 Rosen A61F 2/3859
- (Continued)

FOREIGN PATENT DOCUMENTS

- JP D1696919 * 10/2021
- JP D1696920 * 10/2021

Primary Examiner — Bridget L Eland

(74) *Attorney, Agent, or Firm* — Caesar Rivise, PC

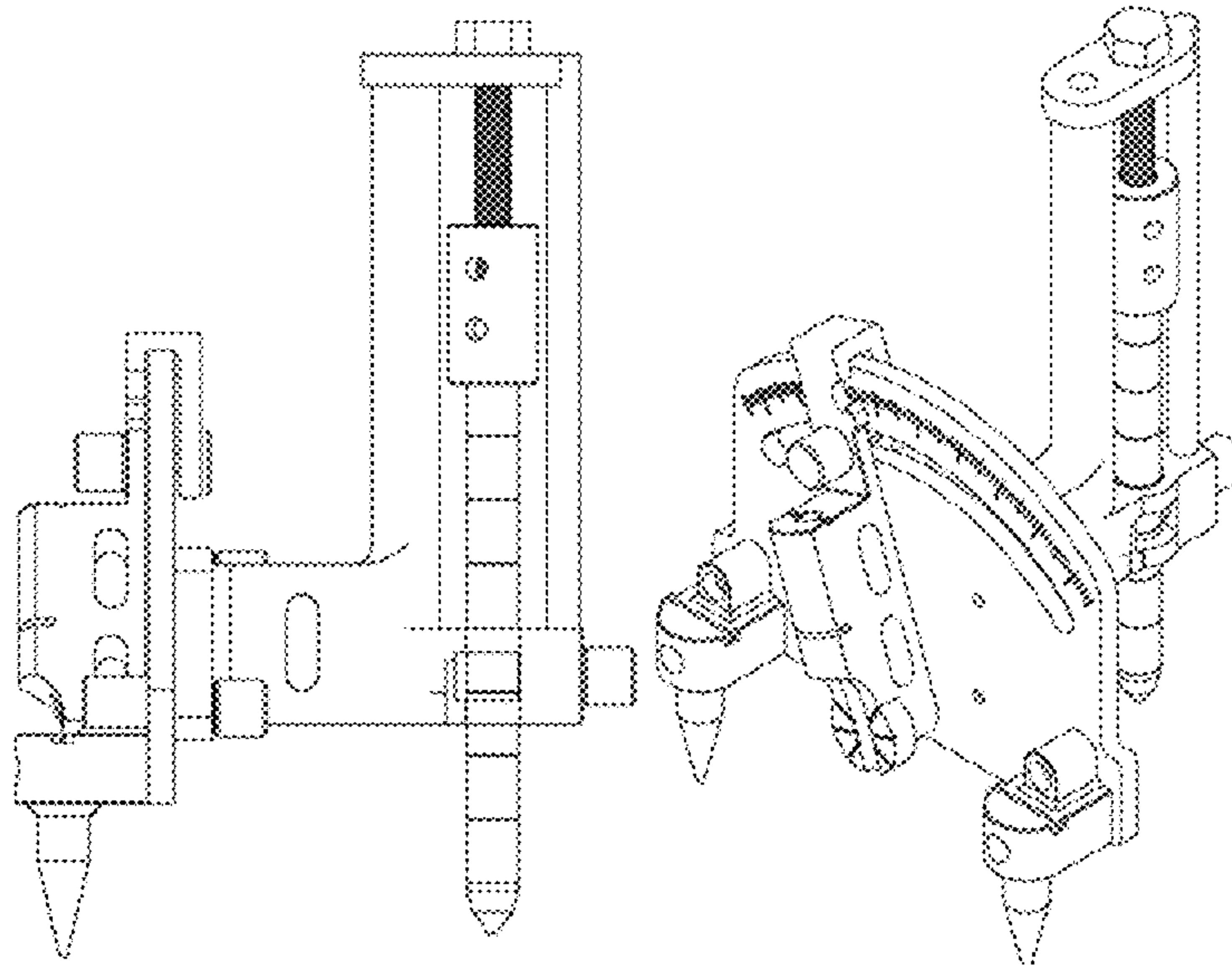
(57) **CLAIM**

The ornamental design for the angle recorder for surgery, as shown and described.

DESCRIPTION

FIG. 1 is a front view of the angle recorder for surgery showing our new design;
 FIG. 2 is a back elevational view of the angle recorder for surgery;
 FIG. 3 is a left elevational view of the angle recorder for surgery;
 FIG. 4 is a right elevational view of the angle recorder for surgery;
 FIG. 5 is a top plan view of the angle recorder for surgery;
 FIG. 6 is a bottom plan view of the angle recorder for surgery; and,
 FIG. 7 is a perspective view of the angle recorder for surgery.

1 Claim, 7 Drawing Sheets



(56)

References Cited

U.S. PATENT DOCUMENTS

2020/0405395 A1* 12/2020 Gullotti A61B 17/7082
2021/0169504 A1* 6/2021 Brown A61B 6/487
2022/0192774 A1* 6/2022 Goble A61B 17/154

* cited by examiner

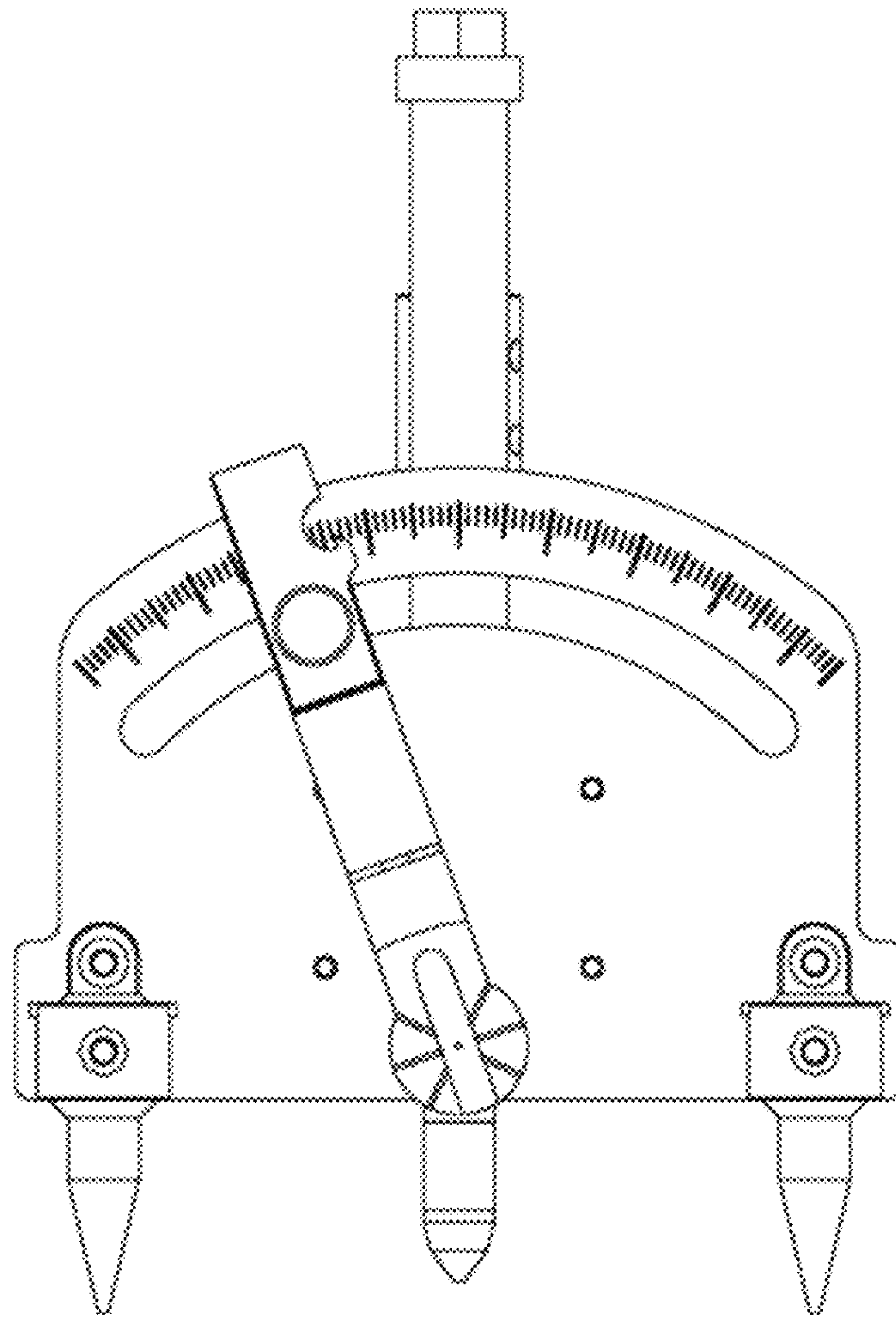


Fig. 1

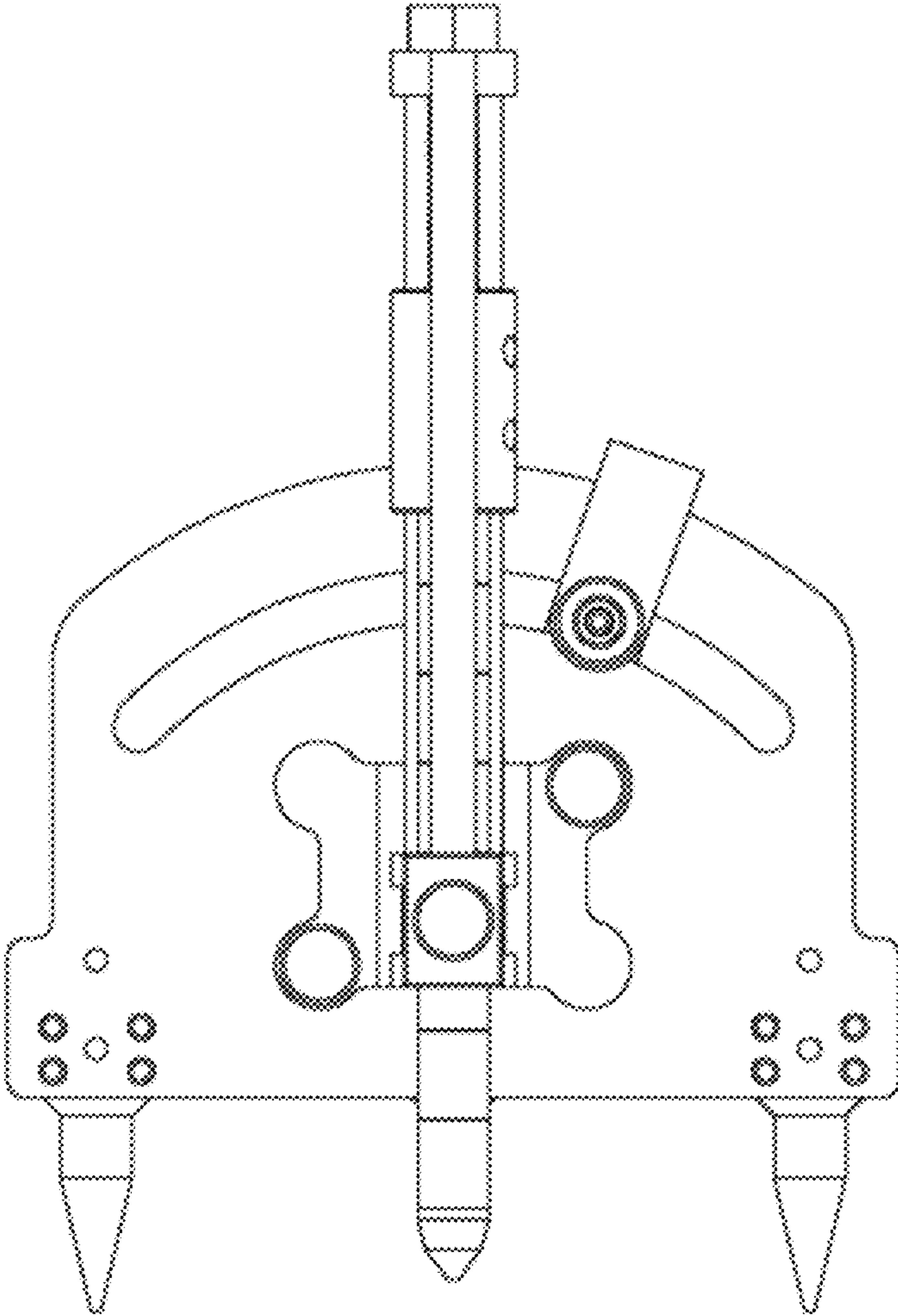


Fig. 2

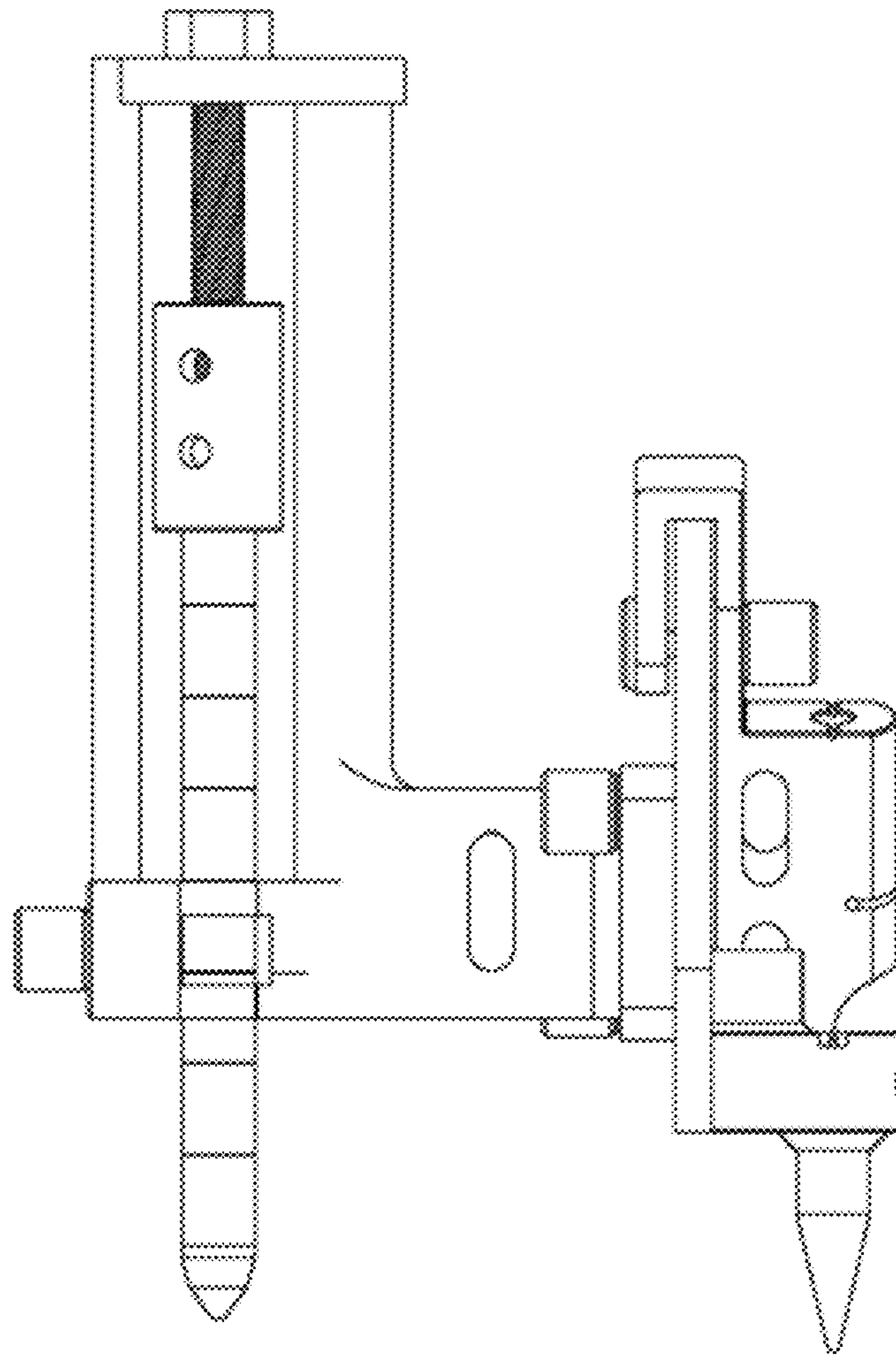


Fig. 3

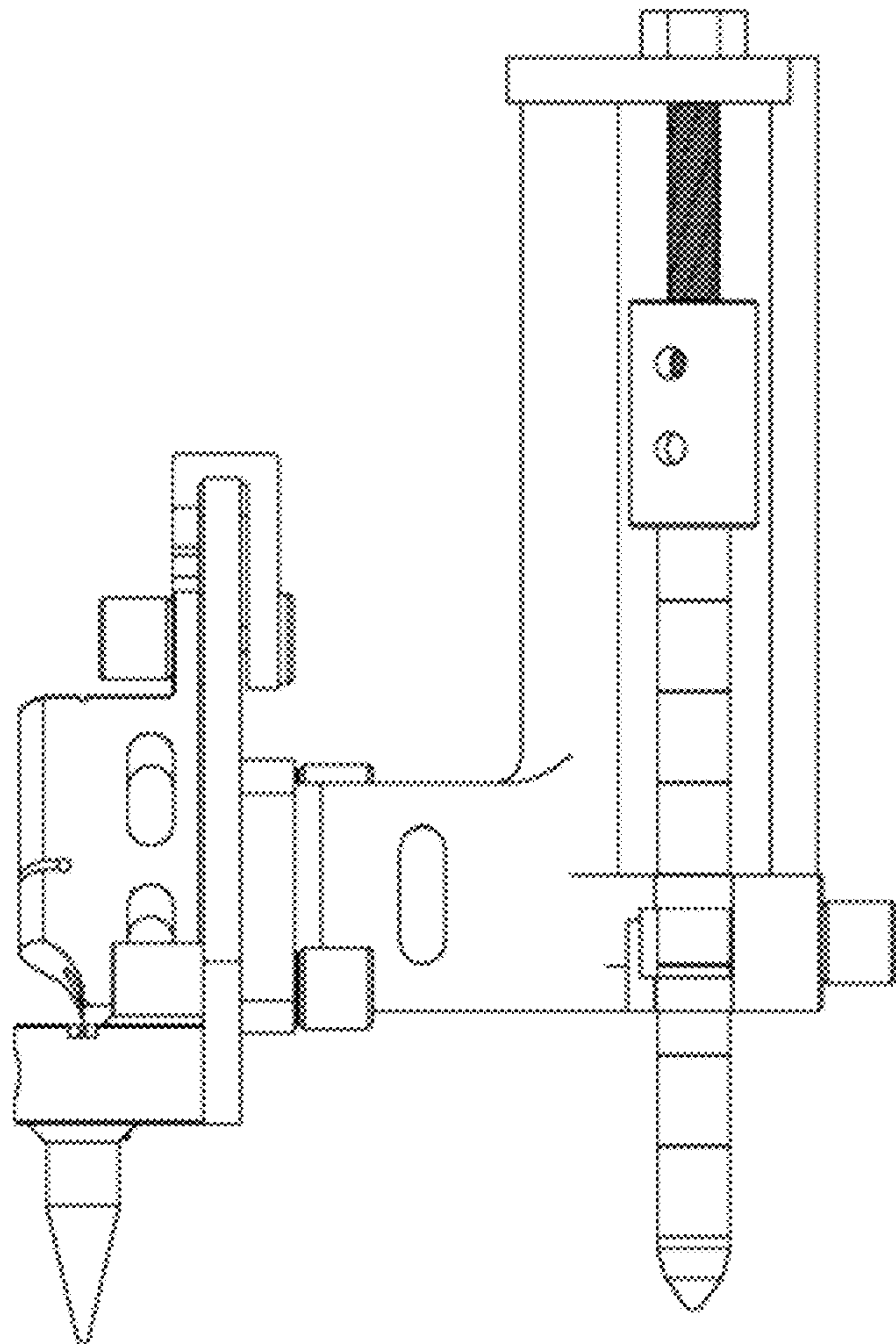


Fig. 4

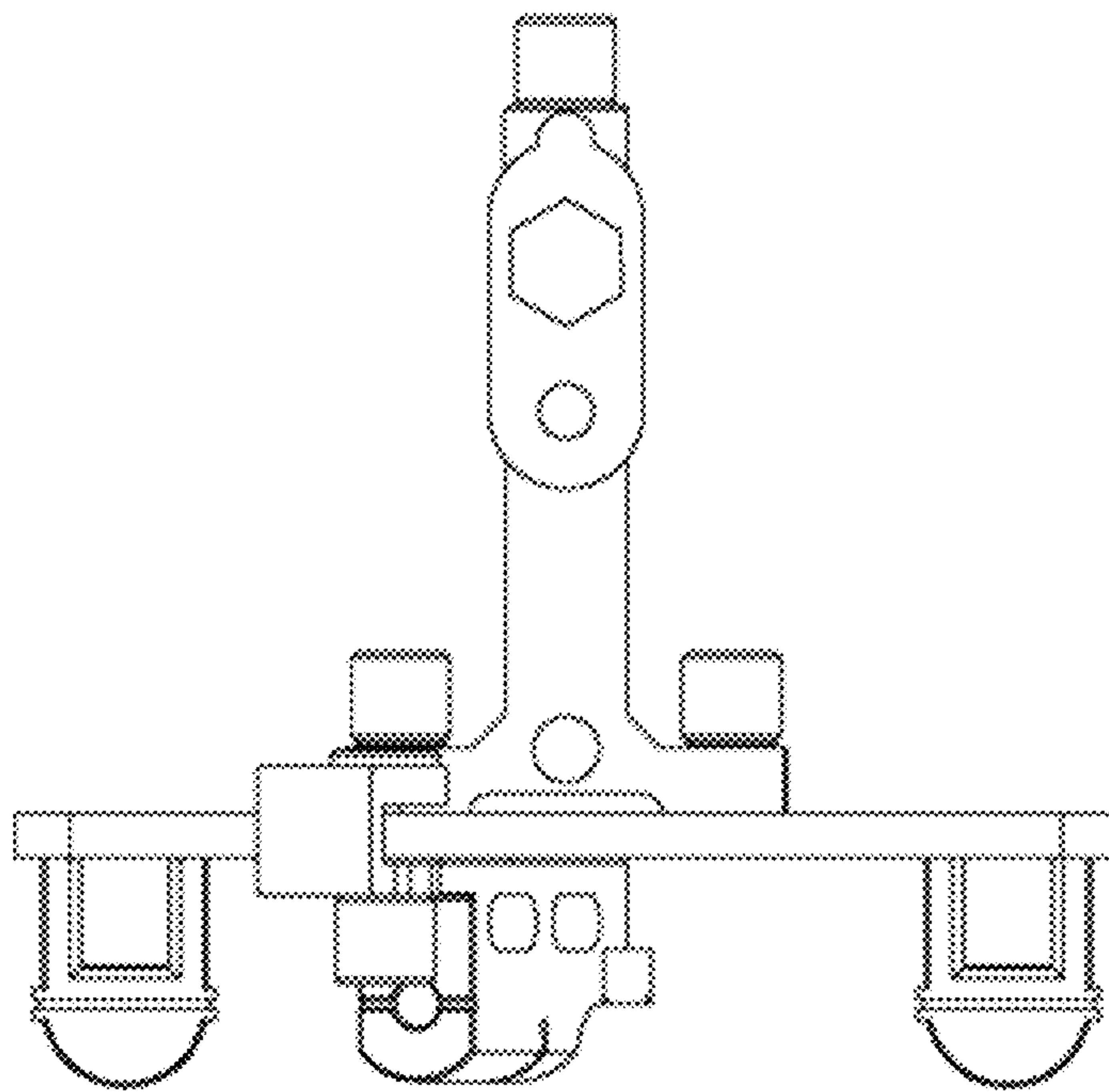


Fig. 5

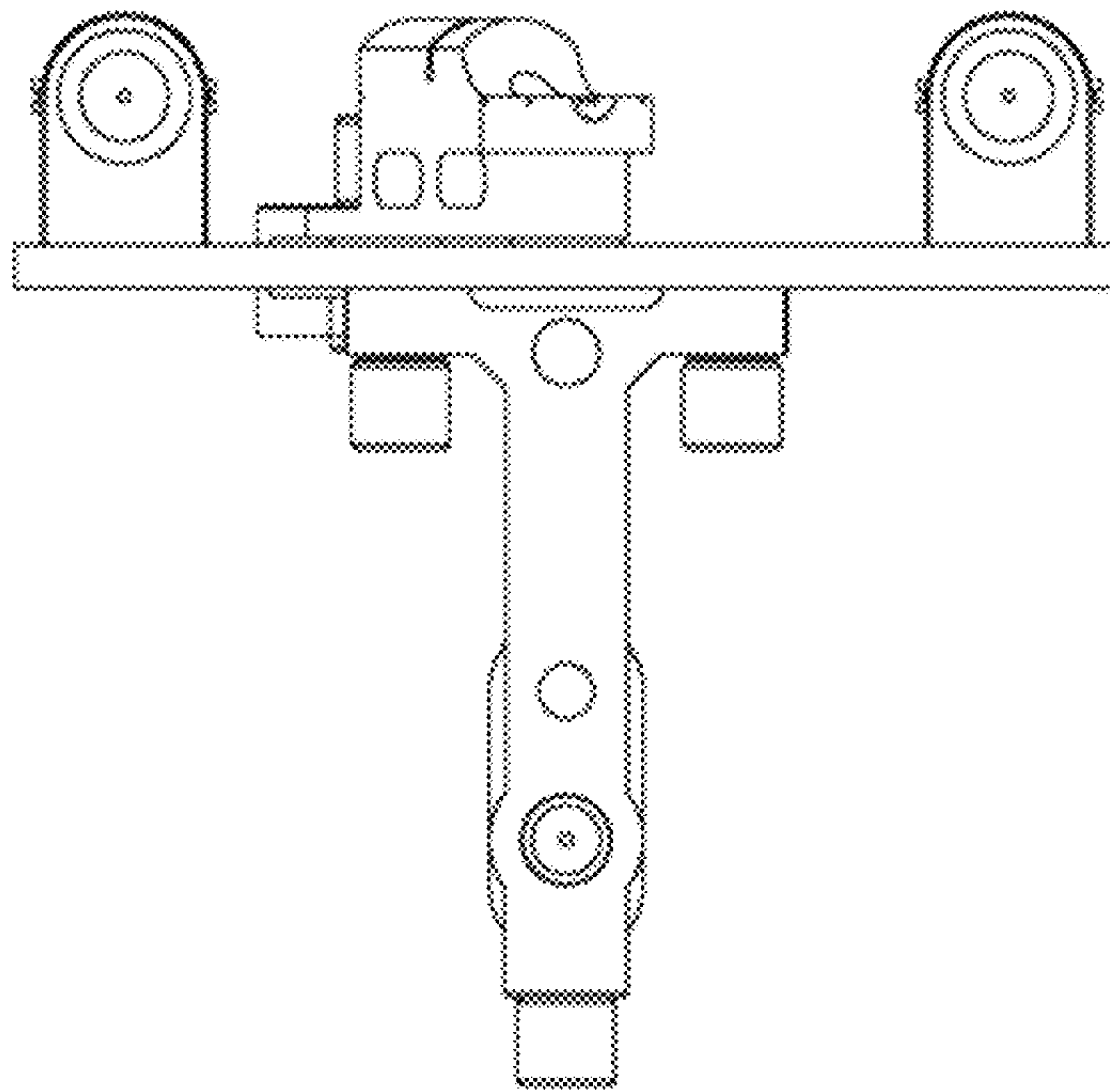


Fig. 6

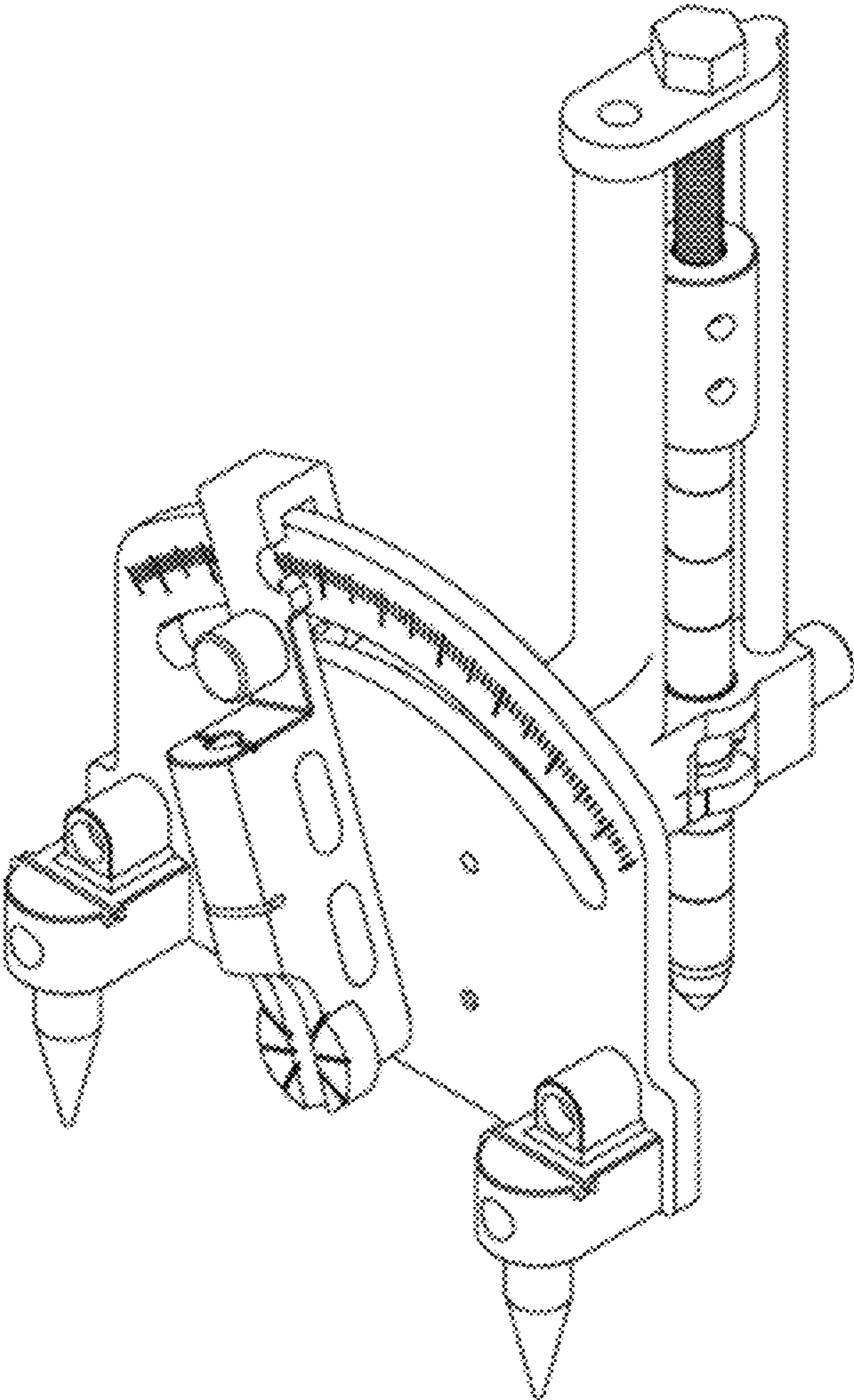


Fig. 7