



US00D980422S

(12) **United States Design Patent**  
**Tang et al.**

(10) **Patent No.:** **US D980,422 S**  
(45) **Date of Patent:** **\*\* Mar. 7, 2023**

(54) **ANGLE RECORDER FOR SURGERY**  
(71) Applicant: **HUNAN ZHUOSHI CHUANGSI TECHNOLOGY CO., LTD.**, Hunan (CN)  
(72) Inventors: **Dan Tang**, Hunan (CN); **Lingyun Zhang**, Hunan (CN)  
(73) Assignee: **Hunan Zhuoshi Chuangsi Technology Co., Ltd.**, Hunan (CN)

(\*\*) Term: **15 Years**

(21) Appl. No.: **29/782,565**

(22) Filed: **May 7, 2021**

(30) **Foreign Application Priority Data**

Feb. 8, 2021 (CN) ..... 202130090262.2

(51) **LOC (14) Cl.** ..... **24-02**

(52) **U.S. Cl.**  
USPC ..... **D24/140**

(58) **Field of Classification Search**  
USPC ..... D24/140, 133, 155, 152, 176, 181, 156, D24/180  
CPC . A61B 90/06; A61B 2090/061; A61F 2/4657; A61F 2002/4658  
See application file for complete search history.

(56) **References Cited**

**U.S. PATENT DOCUMENTS**

D274,093 S \* 5/1984 Kenna ..... D24/140  
D403,066 S \* 12/1998 DeFonzo ..... D24/135  
D417,276 S \* 11/1999 DeFonzo ..... D24/135  
6,193,723 B1 \* 2/2001 Cripe ..... A61B 17/1764  
606/88  
7,927,336 B2 \* 4/2011 Rasmussen ..... A61B 17/155  
606/88  
D638,124 S \* 5/2011 Hirabayashi ..... D24/140

D643,923 S \* 8/2011 Senda ..... D24/128  
D651,317 S \* 12/2011 May ..... D24/140  
8,740,910 B2 \* 6/2014 McMillen ..... A61B 90/06  
606/88  
9,681,963 B2 \* 6/2017 Leslie ..... A61B 17/155  
D876,624 S \* 2/2020 Theobald ..... D24/133  
D961,073 S \* 8/2022 Jamison ..... D24/140  
2006/0241634 A1 \* 10/2006 Tuttle ..... A61F 2/4657  
606/86 R  
2014/0336659 A1 \* 11/2014 Emslie ..... A61F 2/4657  
606/88  
2016/0361178 A1 \* 12/2016 Budhabhatti ..... A61B 17/1764  
2020/0107942 A1 \* 4/2020 Rosen ..... A61F 2/3859  
(Continued)

**FOREIGN PATENT DOCUMENTS**

JP D1696919 \* 10/2021  
JP D1696920 \* 10/2021

*Primary Examiner* — Bridget L Eland

(74) *Attorney, Agent, or Firm* — Caesar Rivise, PC

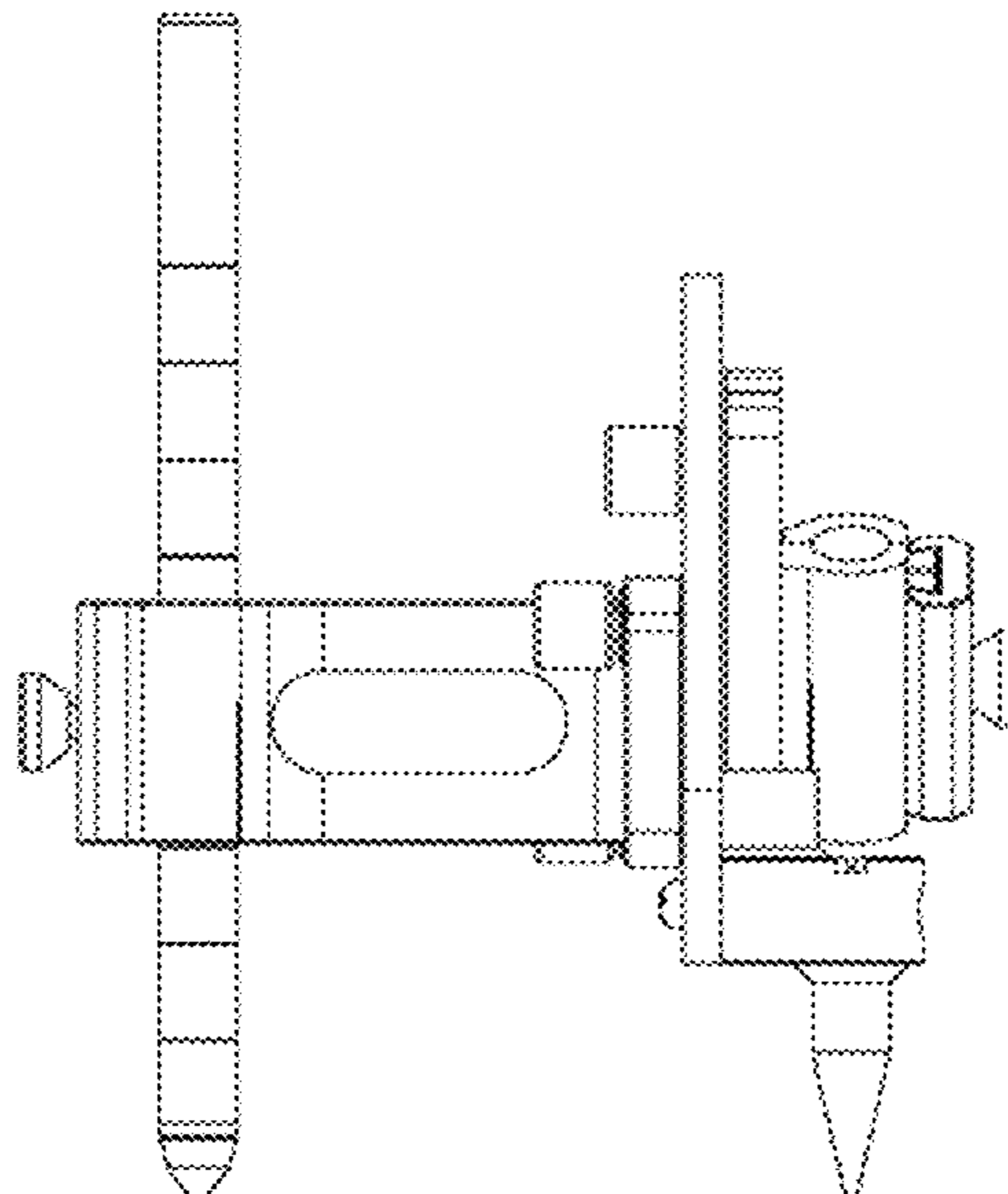
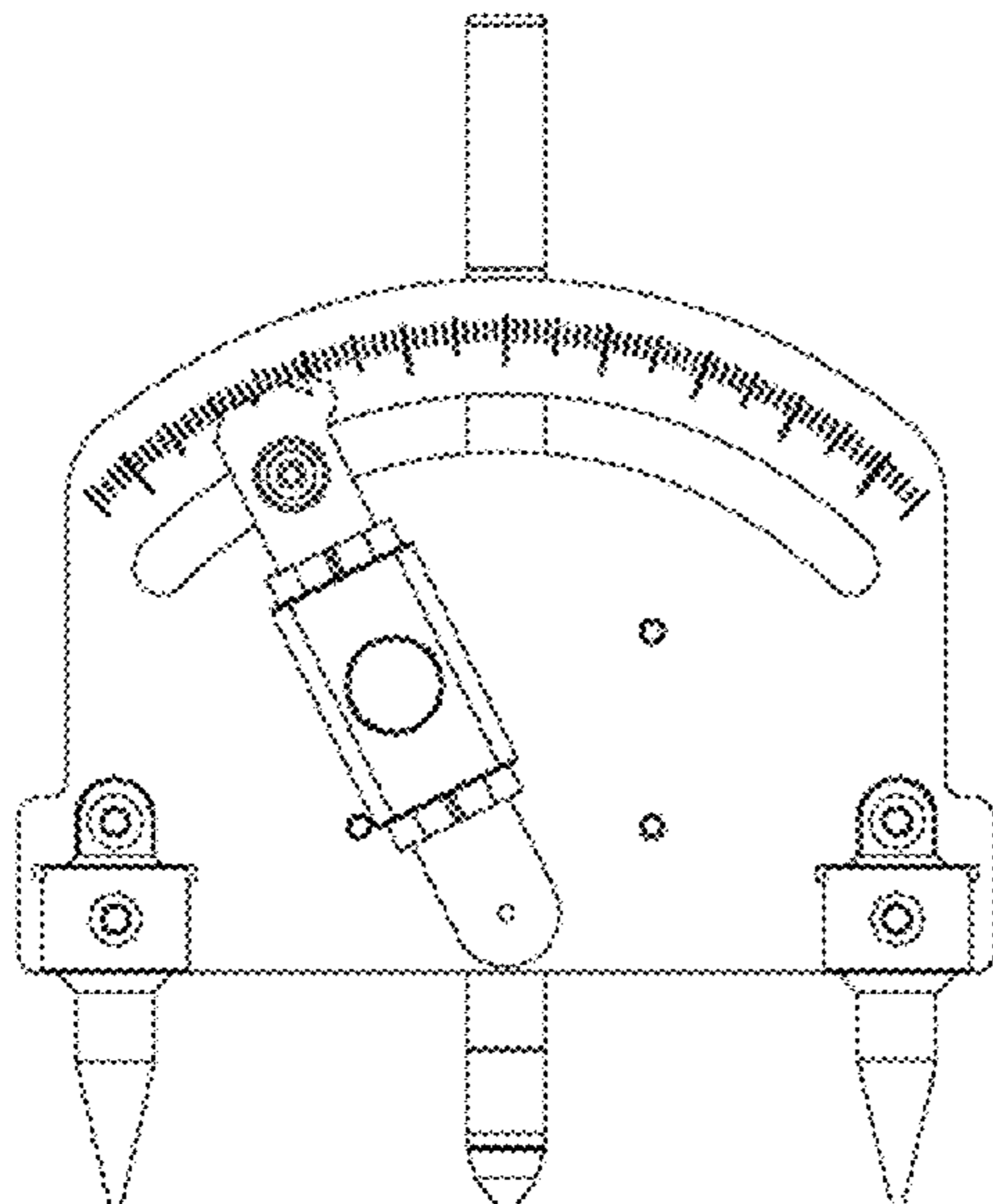
(57) **CLAIM**

The ornamental design for the angle recorder for surgery, as shown and described.

**DESCRIPTION**

FIG. 1 is a front view of the angle recorder for surgery showing our new design;  
FIG. 2 is a back elevational view of the angle recorder for surgery;  
FIG. 3 is a left elevational view of the angle recorder for surgery;  
FIG. 4 is a right elevational view of the angle recorder for surgery;  
FIG. 5 is a top plan view of the angle recorder for surgery;  
FIG. 6 is a bottom plan view of the angle recorder for surgery; and,  
FIG. 7 is a perspective view of the angle recorder for surgery.

**1 Claim, 7 Drawing Sheets**



(56)

**References Cited**

U.S. PATENT DOCUMENTS

2020/0405395 A1\* 12/2020 Gullotti ..... A61B 17/7082  
2021/0169504 A1\* 6/2021 Brown ..... A61B 6/487  
2022/0192774 A1\* 6/2022 Goble ..... A61B 17/154

\* cited by examiner

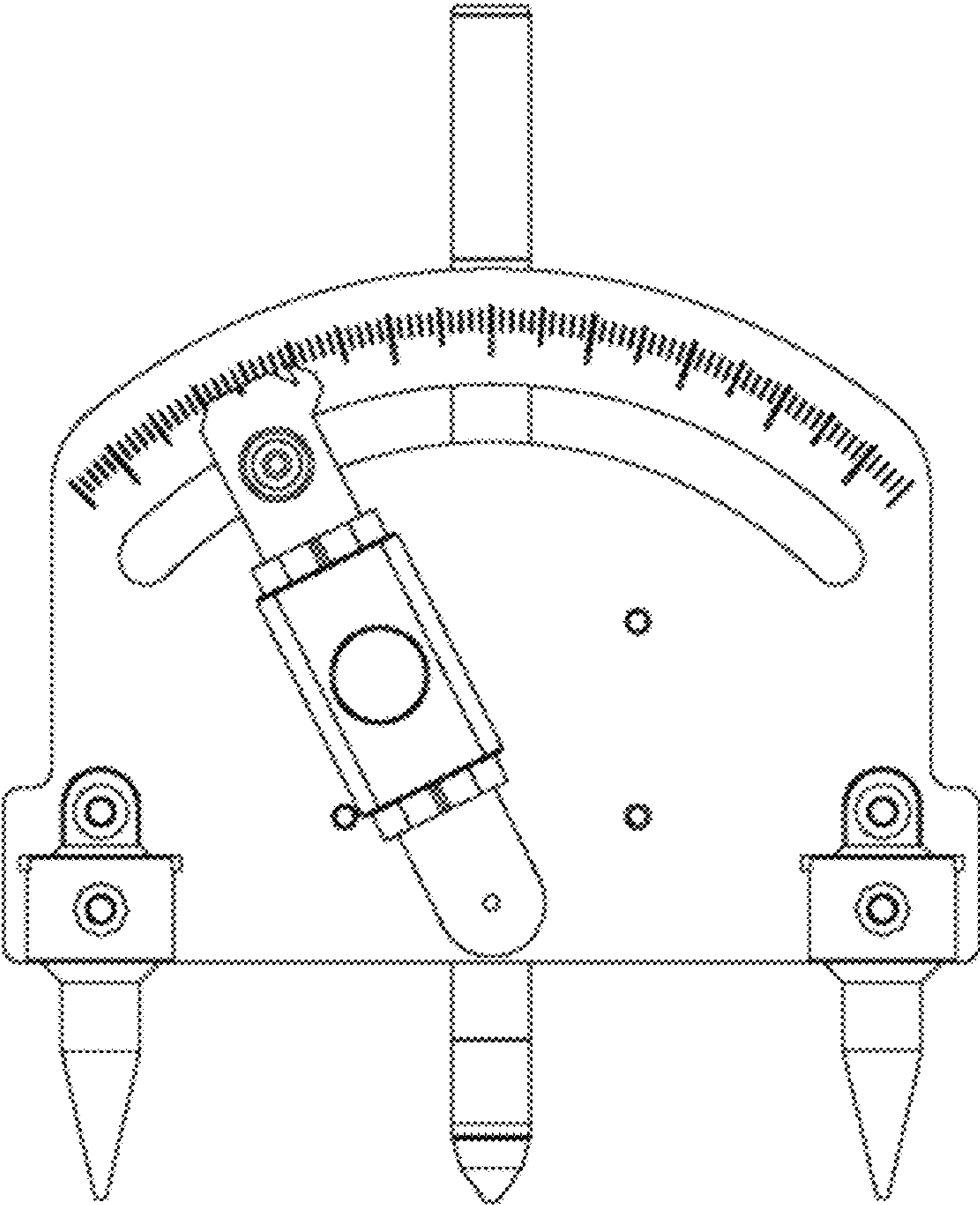


Fig. 1

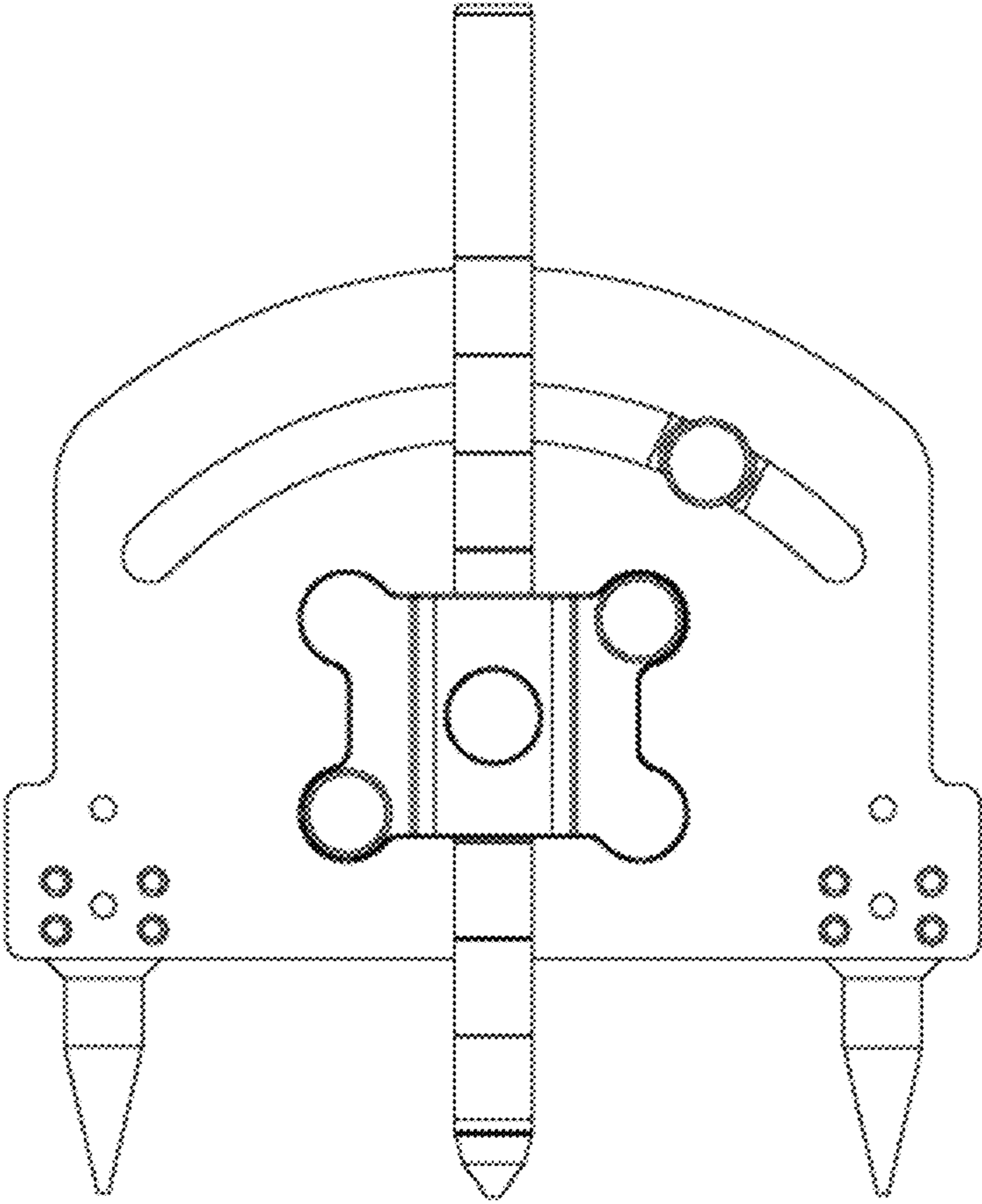


Fig. 2

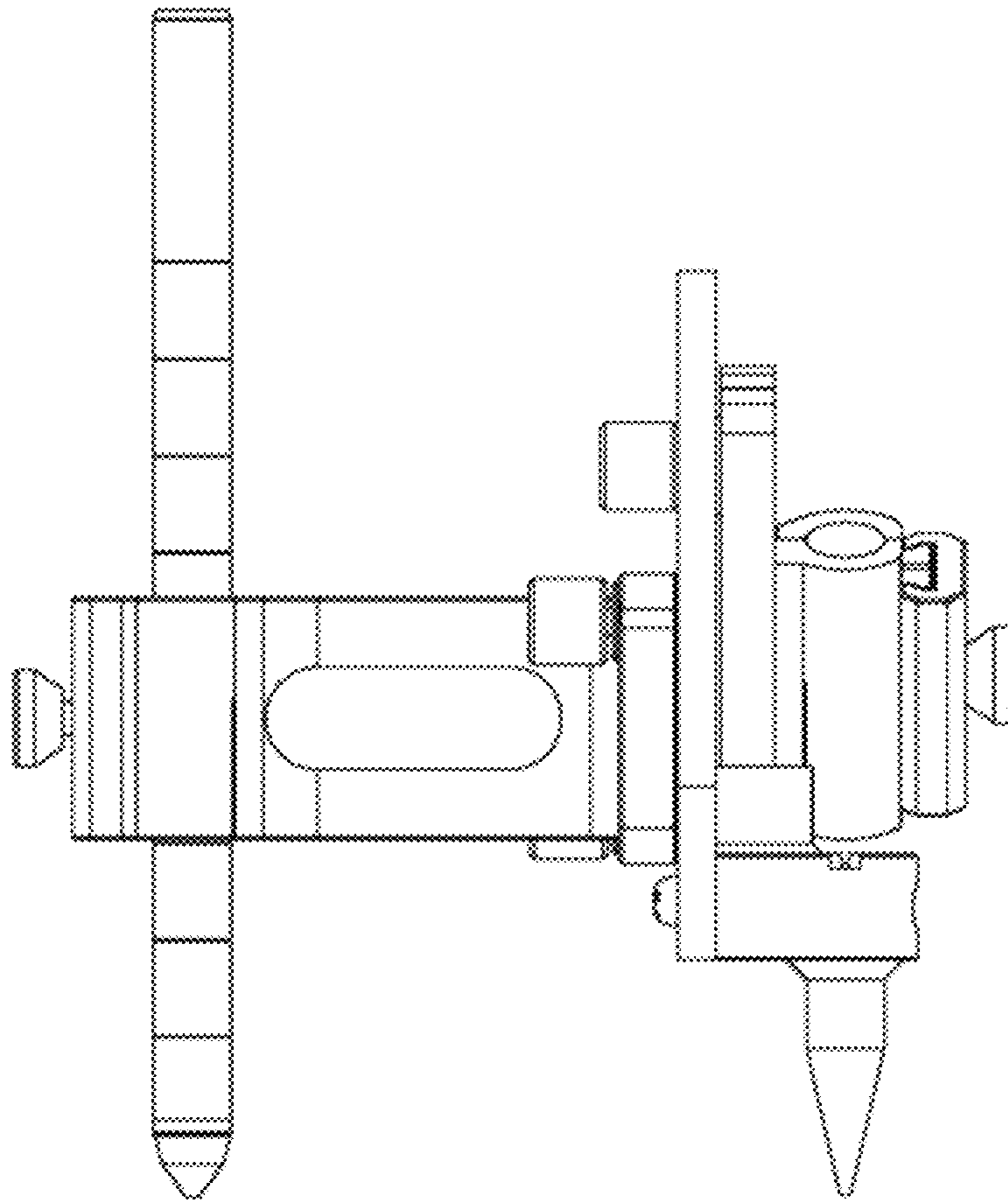


Fig. 3

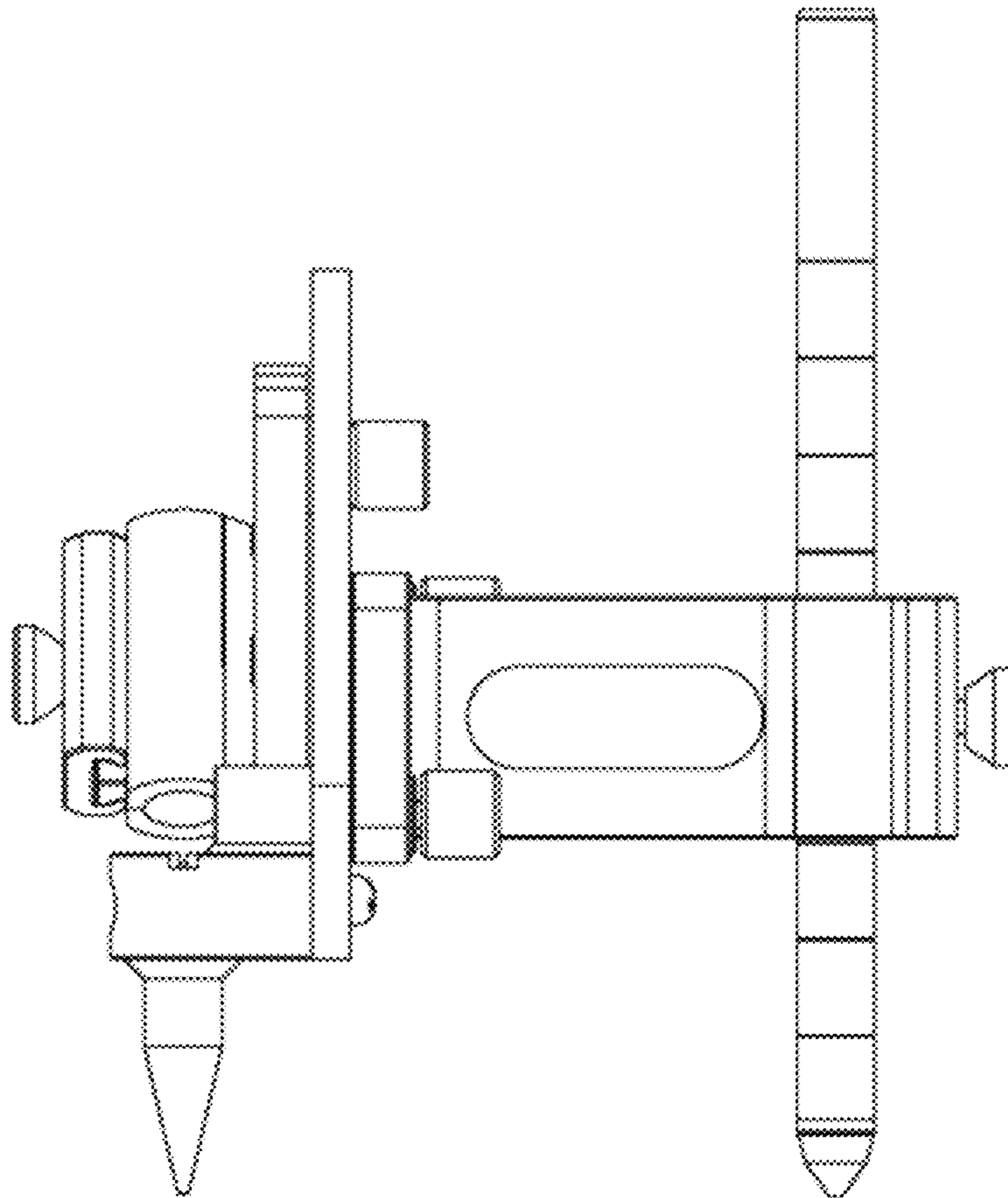


Fig. 4

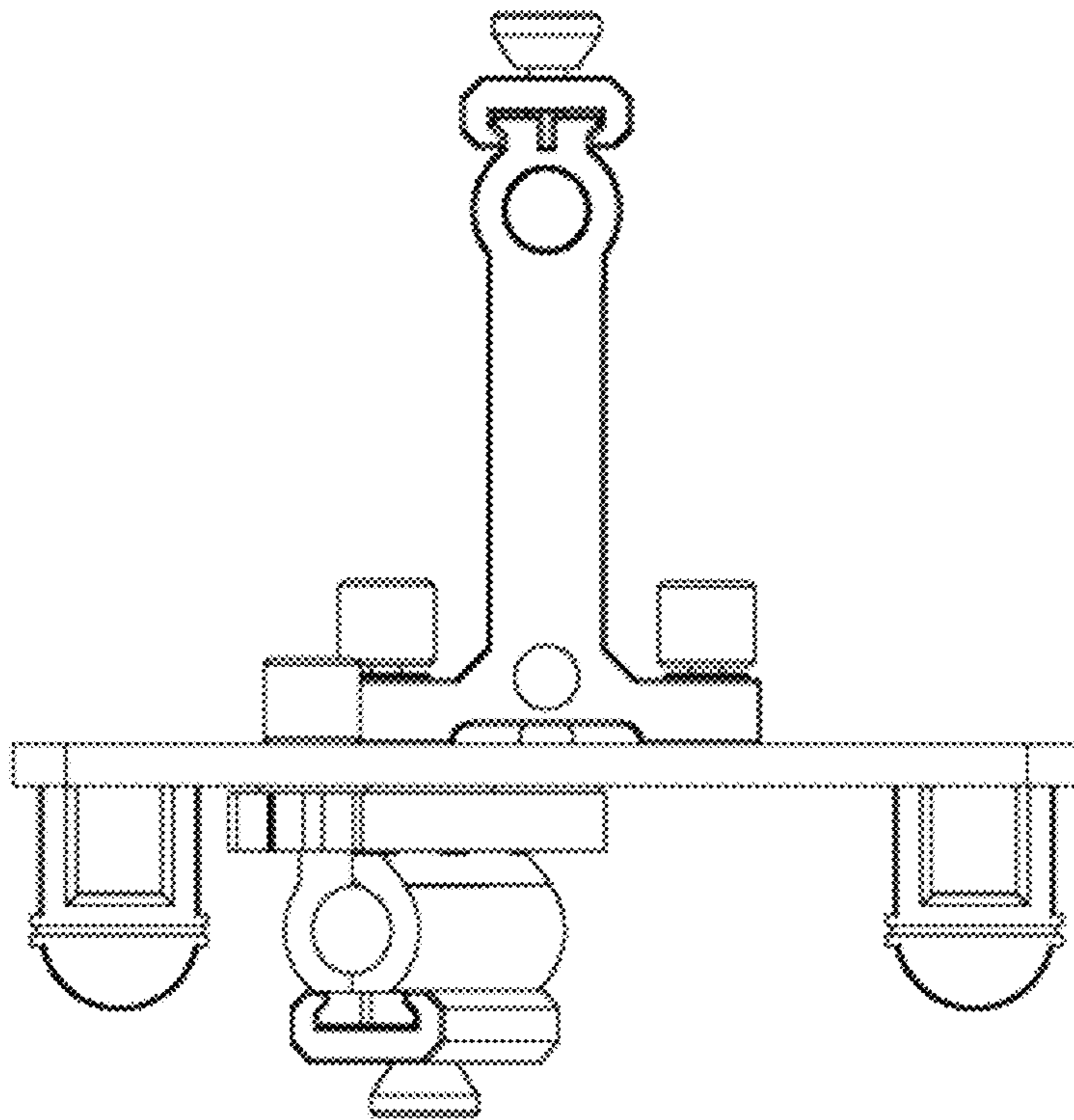


Fig. 5

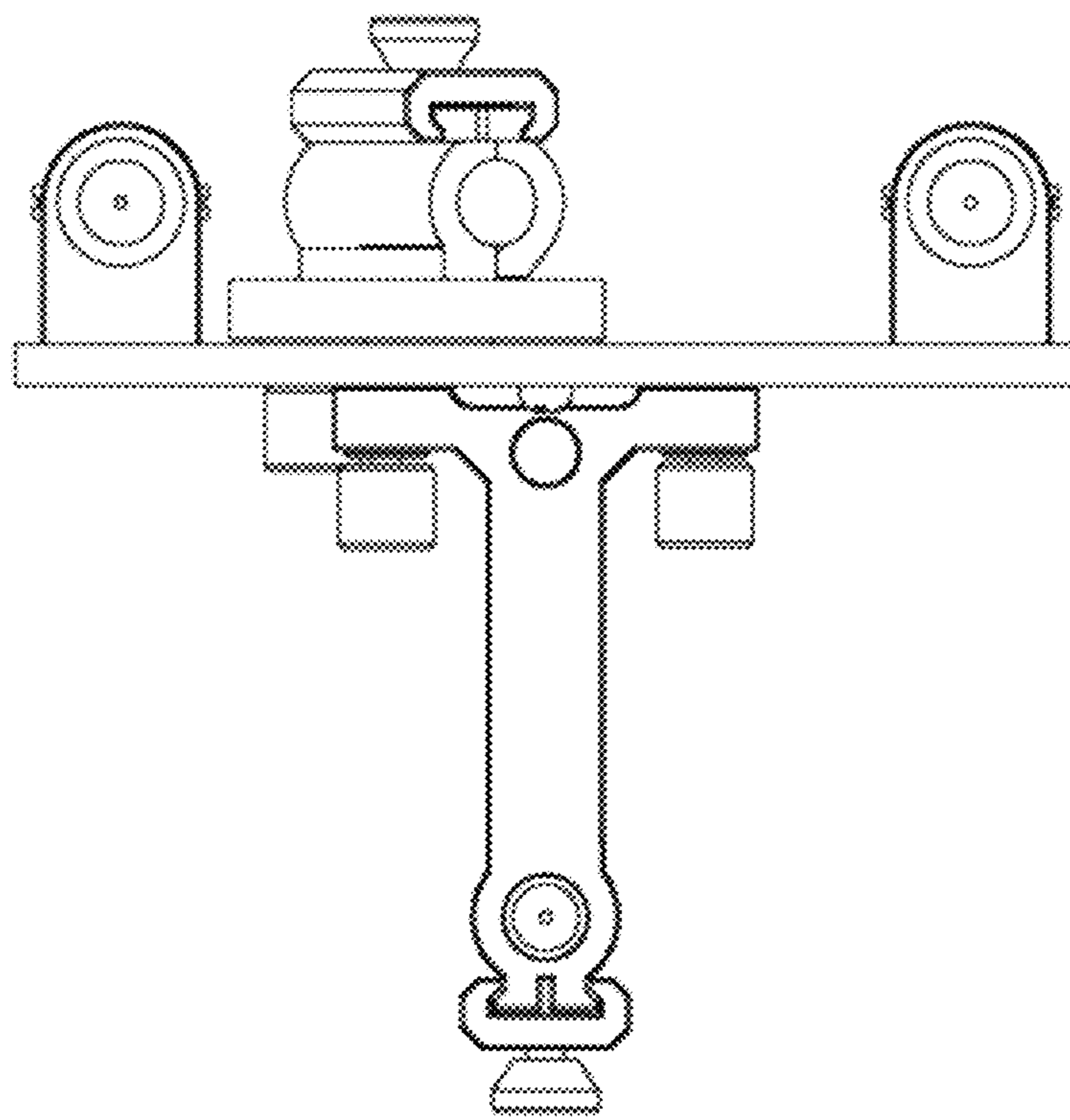


Fig. 6



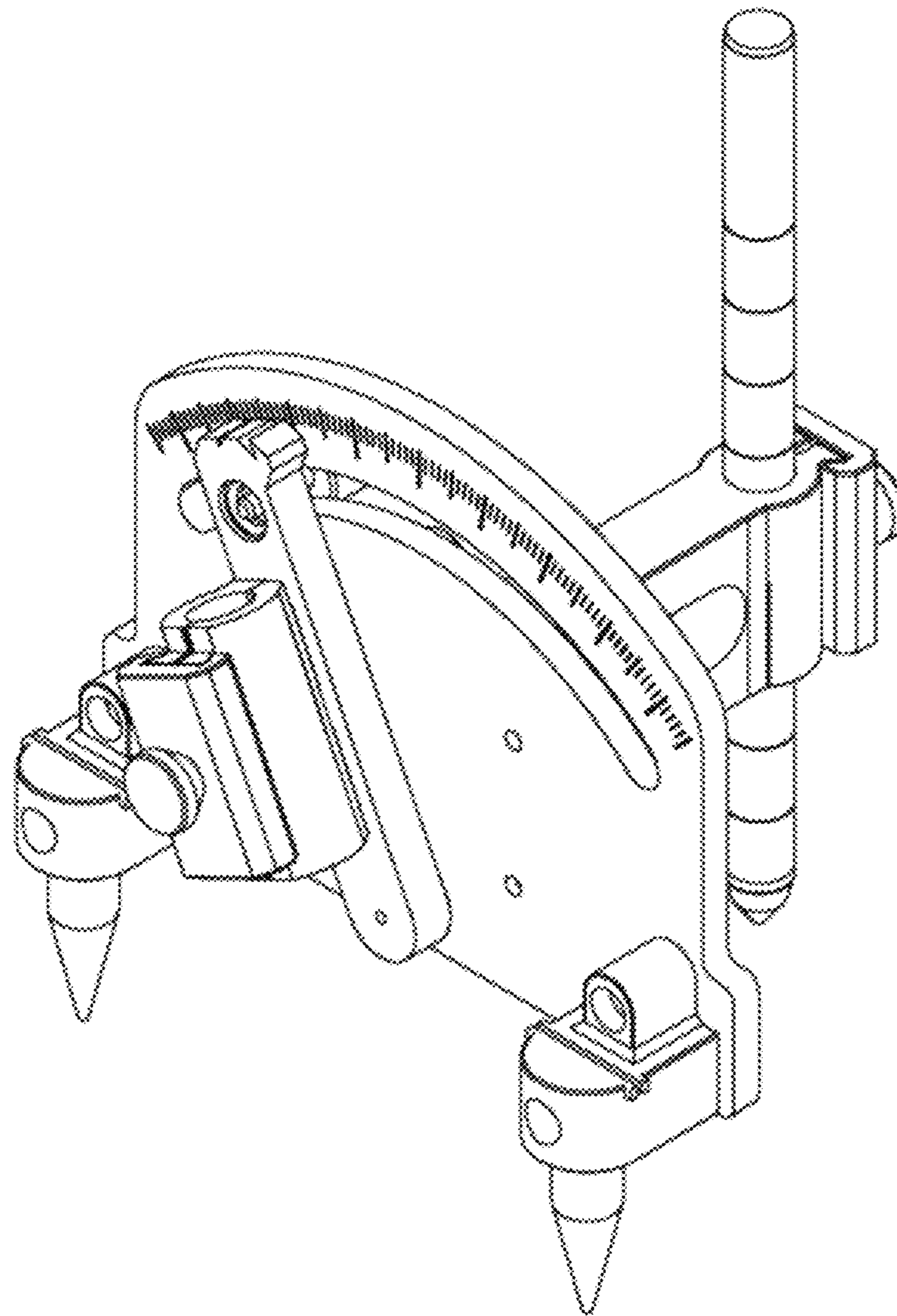


Fig. 7