



US00D980421S

(12) **United States Design Patent** (10) **Patent No.:** **US D980,421 S**
Harr et al. (45) **Date of Patent:** **** Mar. 7, 2023**

(54) **CASSETTE**
(71) Applicant: **KPR U.S., LLC**, Mansfield, MA (US)
(72) Inventors: **James M. Harr**, Wentzville, MO (US);
Joel D. Wiesner, O'Fallon, MO (US);
Kenneth M. Breitweiser, Brighton, IL (US)
(73) Assignee: **KPR U.S. LLC**, Mansfield, MA (US)

4,138,205 A 2/1979 Wallach
4,545,744 A 10/1985 Weber et al.
4,558,996 A 12/1985 Becker
4,559,040 A 12/1985 Horres et al.
4,650,471 A 3/1987 Tamari
4,666,598 A 5/1987 Heath et al.
4,886,431 A 12/1989 Soderquist et al.
4,976,590 A 12/1990 Baldwin
5,096,393 A 3/1992 Van Steenderen et al.
5,256,041 A 10/1993 Tucker
5,470,211 A 11/1995 Knott et al.
5,655,897 A 8/1997 Neftel et al.

(**) Term: **15 Years**

(Continued)

(21) Appl. No.: **29/703,471**

FOREIGN PATENT DOCUMENTS

(22) Filed: **Aug. 27, 2019**

FR 2598182 A1 11/1987

Related U.S. Application Data

OTHER PUBLICATIONS

(62) Division of application No. 29/563,231, filed on May 3, 2016, now Pat. No. Des. 860,440, which is a division of application No. 29/452,920, filed on Apr. 23, 2013, now Pat. No. Des. 762,850.

Office Action dated Jul. 9, 2015 in related U.S. Appl. No. 29/452,920, 11 pages.

(Continued)

(51) **LOC (14) Cl.** **24-01**

Primary Examiner — Nathan M Johnston

(52) **U.S. Cl.**

(74) *Attorney, Agent, or Firm* — ArentFox Schiff LLP

USPC **D24/129**

(58) **Field of Classification Search**

(57) **CLAIM**

USPC D24/127-131, 112-114, 133, 186, 118;
606/181, 185; 604/264, 272, 115, 232,
604/187, 158, 164.08, 192, 263, 163, 181,
604/184, 198, 227, 332, 333, 151;
600/101, 139, 143; 128/200.24, 207.14,
128/207.15, DIG. 24; 417/477.2
CPC A61M 5/14232; F04B 43/1253; F04B
43/1269; F04B 43/1223

The ornamental design for a cassette, as shown and described.

See application file for complete search history.

DESCRIPTION

(56) **References Cited**

FIG. 1 is a front perspective view of a cassette;
FIG. 2 is a front view thereof;
FIG. 3 is a right side view thereof;
FIG. 4 is a left side view thereof;
FIG. 5 is a top plan view thereof; and,
FIG. 6 is a bottom plan view thereof.

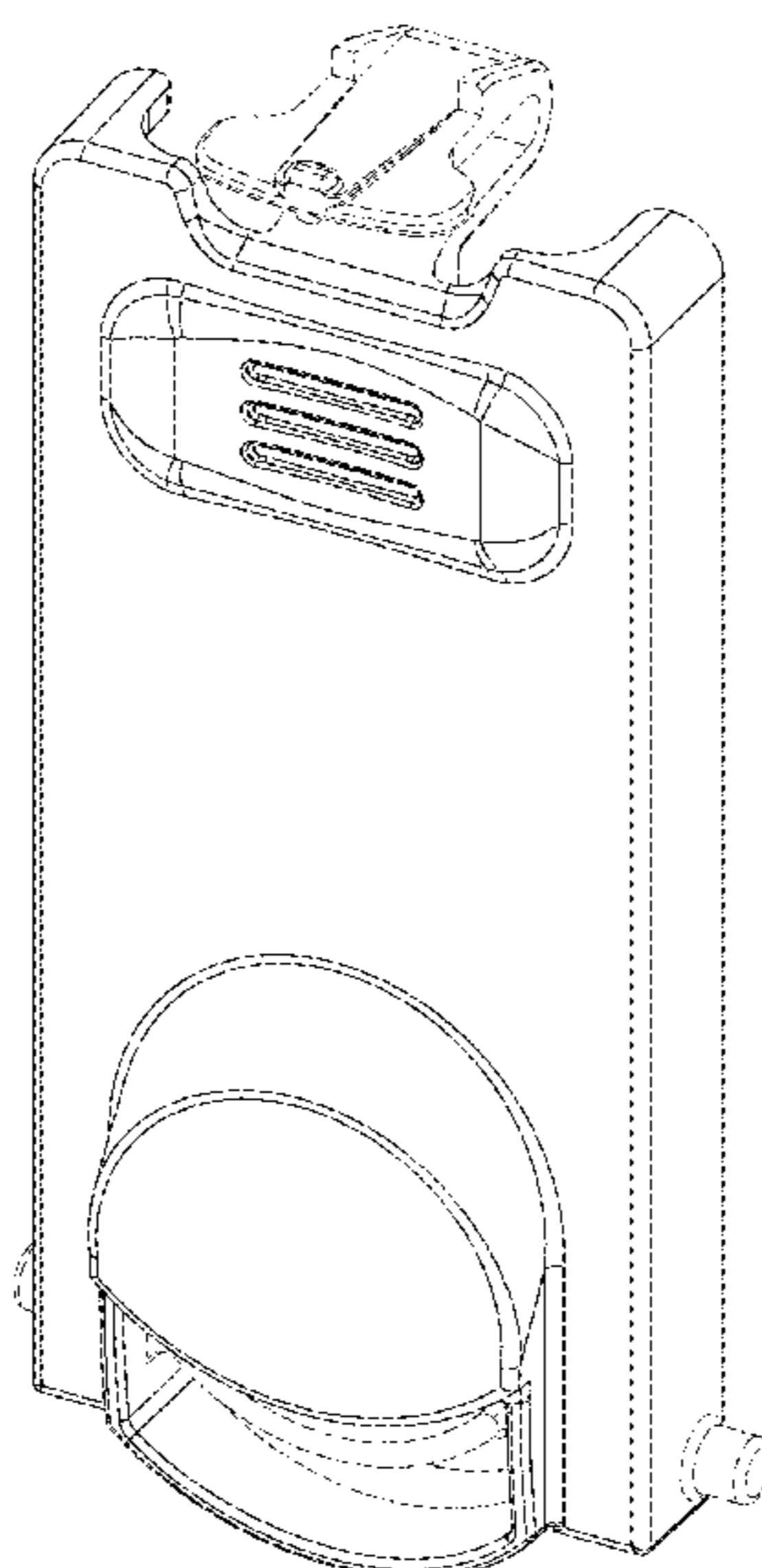
U.S. PATENT DOCUMENTS

The broken lines show portions that form no part of the claimed design.

The back of the cassette forms no part of the claimed design.

3,353,491 A 11/1967 Bastian
3,597,124 A 8/1971 Adams

1 Claim, 5 Drawing Sheets



(56)

References Cited

U.S. PATENT DOCUMENTS

5,927,956 A 7/1999 Lim et al.
 5,971,726 A 10/1999 Yoshida et al.
 6,027,459 A 2/2000 Shain et al.
 6,062,829 A 5/2000 Ognier
 D437,058 S 1/2001 Gozani
 D456,509 S 4/2002 Schultz
 D479,325 S 9/2003 Tyce
 6,736,617 B2 5/2004 Domroese
 7,092,797 B2 8/2006 Gaines et al.
 D562,985 S 2/2008 Brefka et al.
 7,374,545 B2 5/2008 Alroy
 D590,509 S 4/2009 Costa
 7,534,099 B2 5/2009 Knauper et al.
 7,608,059 B2 10/2009 Harr et al.
 D603,968 S 11/2009 Brefka
 7,722,338 B2 5/2010 Nordell et al.
 7,934,912 B2 5/2011 Voltenburg, Jr. et al.
 8,043,077 B2 10/2011 Miyazaki
 8,047,819 B2 11/2011 Lawrence et al.
 8,118,778 B2 2/2012 Haylor et al.
 8,128,382 B2 3/2012 Smits
 8,197,236 B2 6/2012 McIntosh
 D664,257 S 7/2012 Patil
 D664,258 S 7/2012 Harkin et al.
 8,262,616 B2 9/2012 Grant et al.
 8,353,683 B2 1/2013 Miyazaki et al.
 D687,599 S 8/2013 Amit
 8,545,198 B2 10/2013 Artsyukhovich et al.
 8,550,310 B2 10/2013 Alstad et al.
 D697,626 S 1/2014 Laplante et al.
 D702,355 S 4/2014 Laplante et al.
 D715,924 S 10/2014 Green
 8,974,415 B2 3/2015 Robert et al.
 D732,410 S 6/2015 Waaler et al.
 D740,950 S 10/2015 Osness et al.
 D741,995 S 10/2015 Prasser et al.
 D745,173 S 12/2015 Marzynski
 D752,763 S 3/2016 Rondoni et al.
 9,313,910 B2 4/2016 Waldhoff et al.
 D759,254 S 6/2016 Knieriem et al.
 D762,850 S * 8/2016 Harr D24/129
 D765,257 S 8/2016 Marzynski
 D765,258 S 8/2016 Marzynski
 9,421,322 B2 * 8/2016 Breitweiser A61M 5/14232
 9,453,768 B2 9/2016 Harr et al.
 D770,051 S 10/2016 Eggli et al.
 D771,244 S 11/2016 Takemoto et al.
 D771,821 S 11/2016 Hilbig et al.
 D782,051 S 3/2017 Ryu et al.
 D784,541 S 4/2017 Hilbig et al.
 D784,542 S 4/2017 Zwierstra et al.
 D794,207 S 8/2017 Flanagan et al.
 D794,805 S 8/2017 Kranz et al.
 D806,233 S 12/2017 Wolper et al.
 D806,881 S 1/2018 Corrigan et al.
 D810,948 S 2/2018 Wielunski et al.
 D822,216 S 7/2018 Barker et al.
 D830,565 S 10/2018 Xu
 D833,007 S * 11/2018 Tirado D24/131
 D833,624 S 11/2018 DeJong et al.
 D837,388 S 1/2019 DaCosta et al.
 D860,440 S * 9/2019 Harr D24/129

10,426,709 B2 * 10/2019 Harr G16H 20/60
 10,625,016 B2 * 4/2020 Amon A61M 5/14232
 D948,037 S * 4/2022 Breitweiser D24/129
 2002/0131881 A1 9/2002 Kagawa et al.
 2004/0057856 A1 3/2004 Saxer et al.
 2005/0069436 A1 3/2005 Shibasaki
 2005/0191196 A1 9/2005 Tanner et al.
 2006/0067845 A1 3/2006 Kojima et al.
 2007/0217932 A1 9/2007 Voyeux et al.
 2008/0112828 A1 5/2008 Muri et al.
 2008/0125701 A1 5/2008 Moberg et al.
 2009/0053085 A1 2/2009 Thompson et al.
 2009/0069749 A1 3/2009 Miller et al.
 2009/0099523 A1 4/2009 Grant et al.
 2010/0129247 A1 5/2010 Lauer
 2010/0129248 A1 5/2010 Mou
 2010/0301071 A1 12/2010 Alstad et al.
 2011/0286870 A1 11/2011 Bach
 2011/0313358 A1 12/2011 Hariharesan et al.
 2012/0034117 A1 2/2012 Pfouts et al.
 2012/0035581 A1 * 2/2012 Travis A61M 39/287
 604/249
 2012/0083735 A1 4/2012 Pfouts
 2012/0095398 A1 4/2012 Fonacier et al.
 2012/0130309 A1 5/2012 Hariharesan et al.
 2012/0143151 A1 6/2012 Low et al.
 2012/0195777 A1 8/2012 Stejskal et al.
 2013/0071272 A1 3/2013 Juretich et al.
 2013/0280104 A1 10/2013 Heide et al.
 2014/0135731 A1 5/2014 Breitweiser et al.
 2015/0037168 A1 2/2015 Faccioli et al.
 2015/0045733 A1 * 2/2015 Bavaro A61M 39/08
 604/151
 2015/0157791 A1 * 6/2015 Desch G06F 3/0488
 702/50
 2016/0045399 A1 * 2/2016 Wiesner A61J 15/0088
 604/73
 2016/0082184 A1 3/2016 Hanagan et al.
 2016/0199568 A1 7/2016 McNall, III et al.
 2019/0142699 A1 * 5/2019 Hudson A61M 5/16831
 700/282
 2019/0240400 A1 * 8/2019 Breitweiser F04B 43/1269

OTHER PUBLICATIONS

Response dated Oct. 7, 2015 to Office Action dated Jul. 9, 2015 in related U.S. Appl. No. 29/452,920, 8 pages.
 Office Action dated Jan. 15, 2016 in related U.S. Appl. No. 29/452,920, 9 pages.
 Response dated Mar. 14, 2016 to Office Action dated Jan. 15, 2016 in related U.S. Appl. No. 29/452,920, 5 pages.
 Office Action dated May 16, 2014 in related Canadian Application No. 153327, 2 pages.
 Office Action dated Oct. 17, 2014 in related Canadian Application No. 153327, 1 page.
 Office Action dated Mar. 3, 2015 in related Canadian Application No. 153327, 1 page.
 Office Action dated Jan. 25, 2019 in related U.S. Appl. No. 29/563,231, 11 pages.
 Response dated Mar. 28, 2019 to Office Action dated Jan. 25, 2019 in related U.S. Appl. No. 29/563,231, 6 pages.

* cited by examiner

FIG. 1

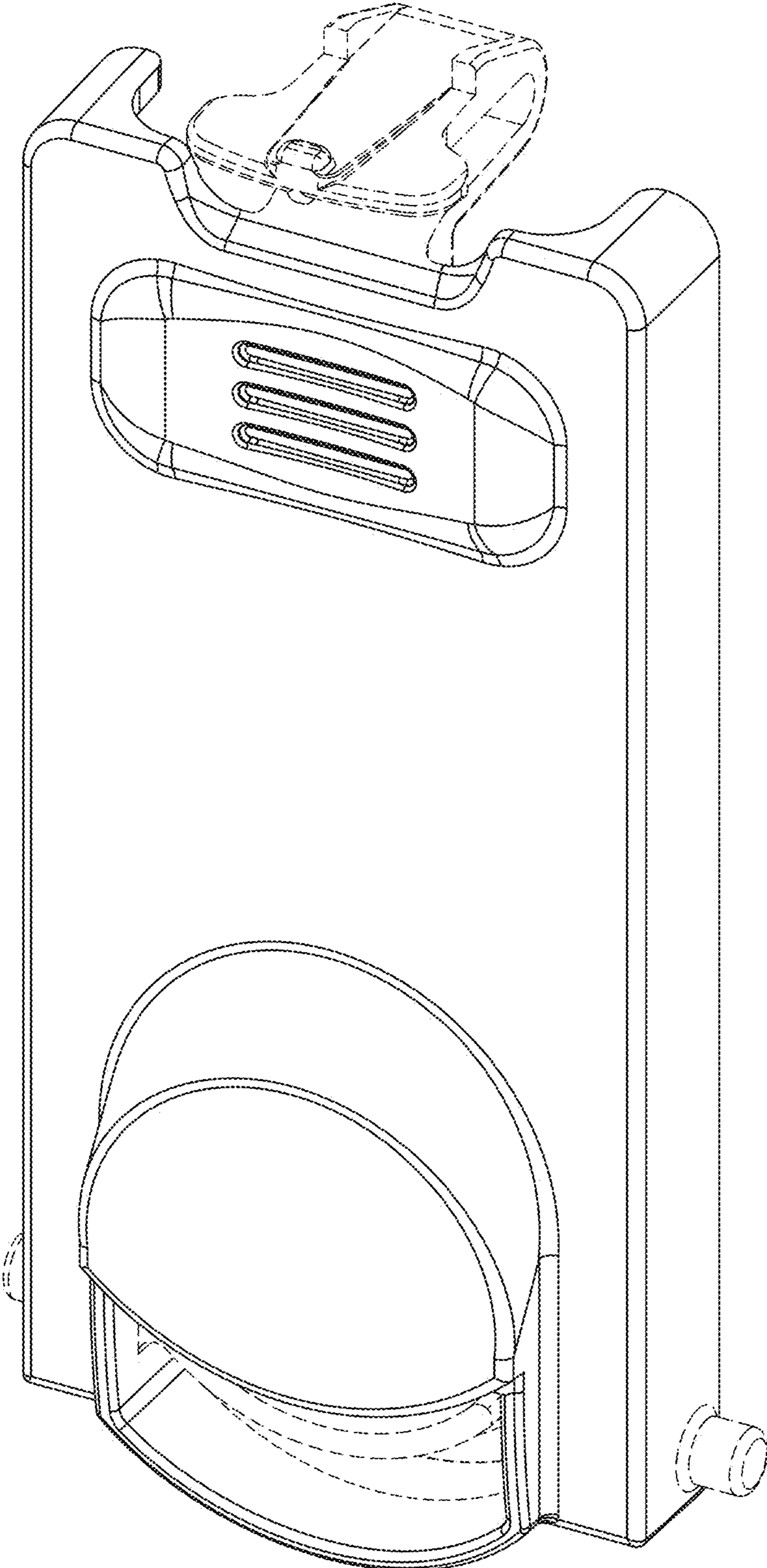


FIG. 2

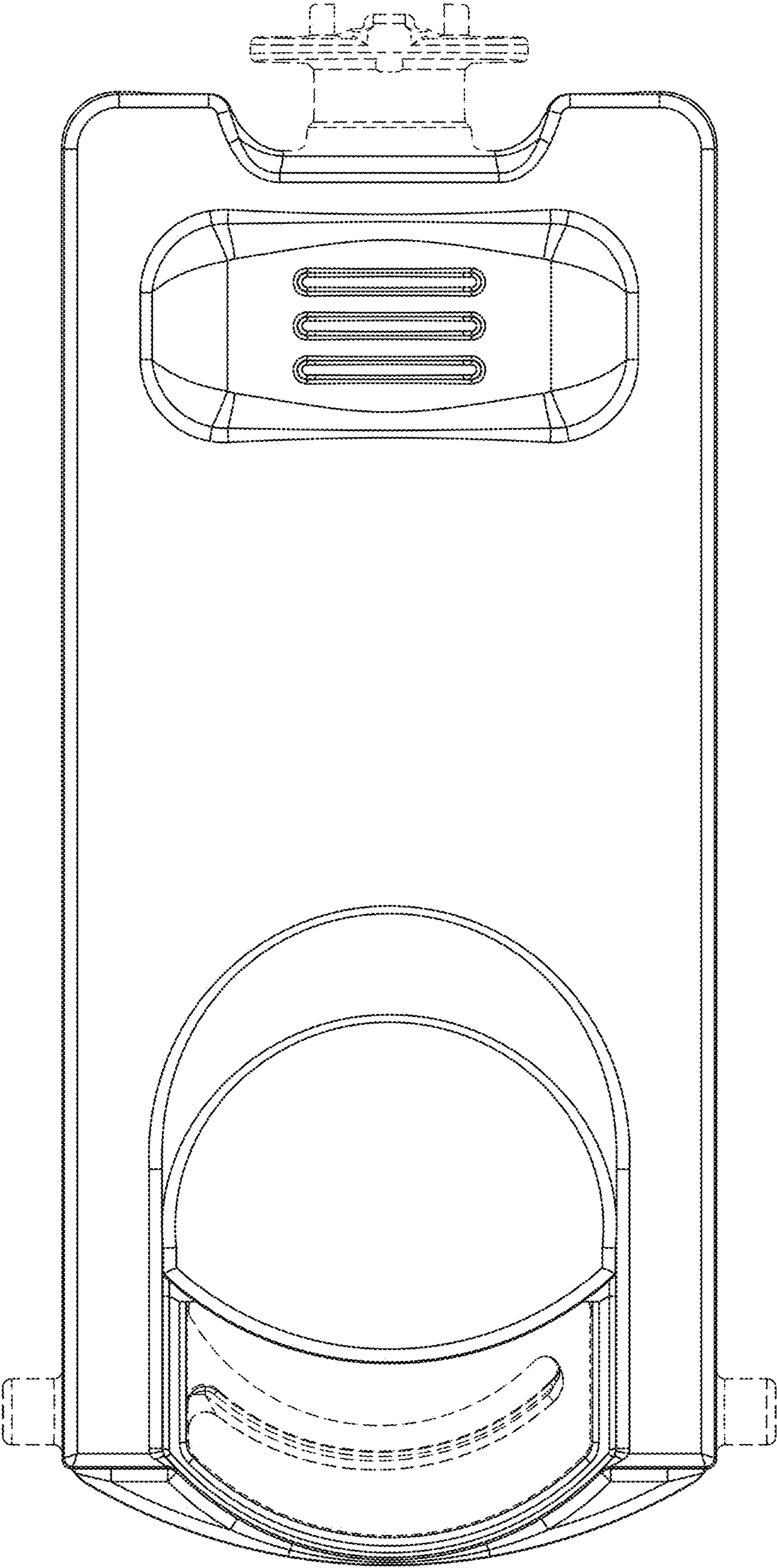


FIG. 3

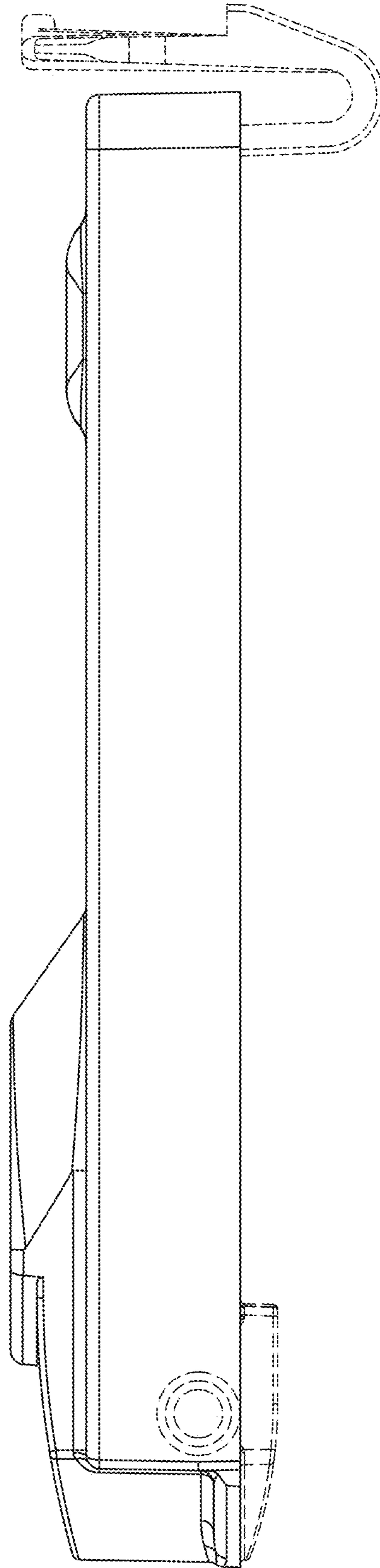


FIG. 4

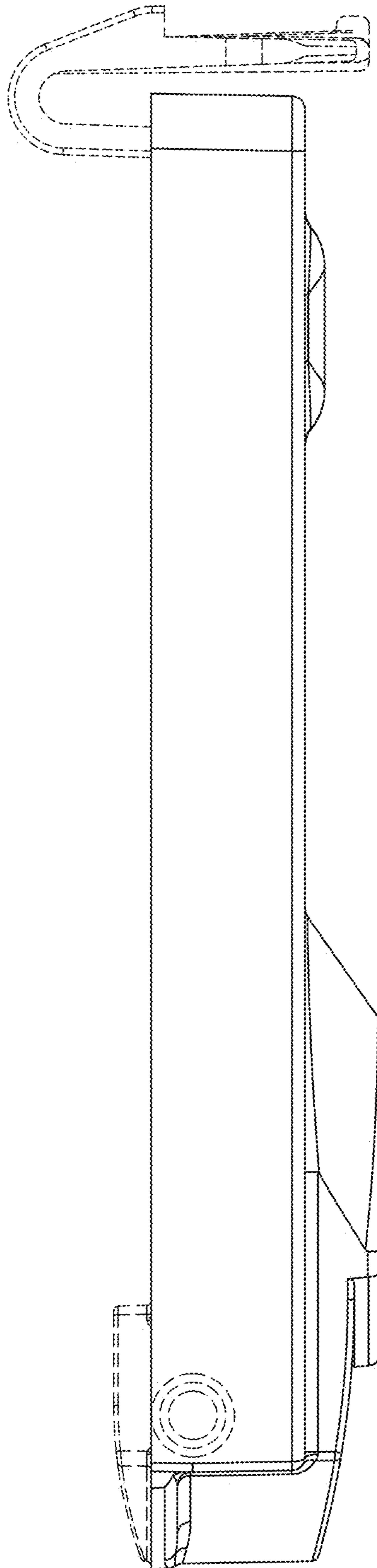


FIG. 5

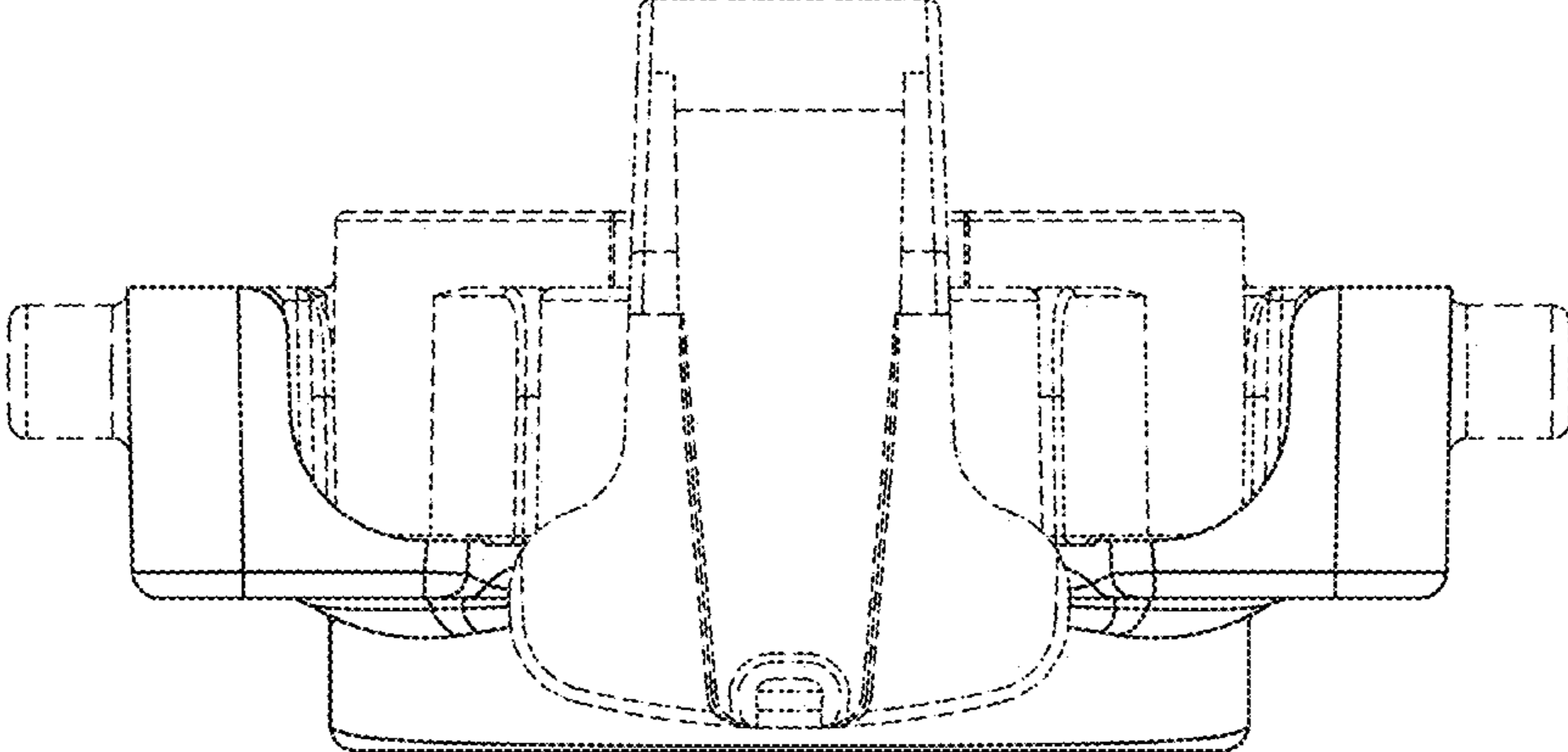


FIG. 6

