



US00D980419S

(12) **United States Design Patent** (10) **Patent No.:** **US D980,419 S**  
**Adachi** (45) **Date of Patent:** **\*\* Mar. 7, 2023**

(54) **BABY'S DIAPER**

(56) **References Cited**

(71) Applicant: **Daio Paper Corporation**, Shikokuchuo (JP)

U.S. PATENT DOCUMENTS

(72) Inventor: **Takahiko Adachi**, Shikokuchuo (JP)

D284,036 S \* 6/1986 Birring ..... D24/126  
D384,150 S \* 9/1997 Gray ..... D24/126  
D449,885 S \* 10/2001 Popp ..... D24/126  
D492,410 S \* 6/2004 Otsubo ..... D24/126  
D497,991 S \* 11/2004 Otsubo ..... D24/126  
D520,135 S \* 5/2006 Otsubo ..... D24/126  
7,329,245 B2 \* 2/2008 Torigoshi ..... A61F 13/49012  
604/385.27

(73) Assignee: **DAIO PAPER CORPORATION**, Shikokuchuo (JP)

D574,489 S \* 8/2008 Kawakami ..... D24/126  
D577,119 S \* 9/2008 Kawakami ..... D24/126  
D583,050 S \* 12/2008 Scott Alston ..... D24/126  
D583,935 S \* 12/2008 Sasayama ..... D24/126  
D583,936 S \* 12/2008 Sasayama ..... D24/126  
D621,032 S \* 8/2010 Nakaoka ..... D24/126  
D621,034 S \* 8/2010 Nakaoka ..... D24/126  
D629,890 S \* 12/2010 Hedbratt ..... D24/126  
8,187,244 B2 \* 5/2012 Saito ..... A61F 13/15  
604/365

(\*\*) Term: **15 Years**

(21) Appl. No.: **35/511,877**

8,282,617 B2 \* 10/2012 Kaneda ..... A61F 13/49011  
604/385.27  
8,308,706 B2 \* 11/2012 Fukae ..... A61F 13/49012  
604/385.27  
D680,216 S \* 4/2013 Hedbratt ..... D24/126

(22) Filed: **Nov. 16, 2020**

(80) **Hague Agreement Data**

Int. Filing Date: **Nov. 16, 2020**

Int. Reg. No.: **DM/211409**

Int. Reg. Date: **Nov. 16, 2020**

Int. Reg. Pub. Date: **May 21, 2021**

(Continued)

(30) **Foreign Application Priority Data**

May 27, 2020 (JP) ..... 2020-010435

*Primary Examiner* — Richard E Chilcot

(74) *Attorney, Agent, or Firm* — Maier & Maier, PLLC

(51) **LOC (14) Cl.** ..... **24-04**

(52) **U.S. Cl.**

USPC ..... **D24/126**

CPC ..... **A61F 13/51** (2013.01)

(57) **CLAIM**

The ornamental design for a baby's diaper, as shown and described.

(58) **Field of Classification Search**

USPC ..... D24/124–126, 151, 189–192, 133, 144,  
D24/184, 186, 200, 214, 206–208, 215,  
D24/111–123; D2/706, 766, 767, 785,  
D2/811, 819, 712

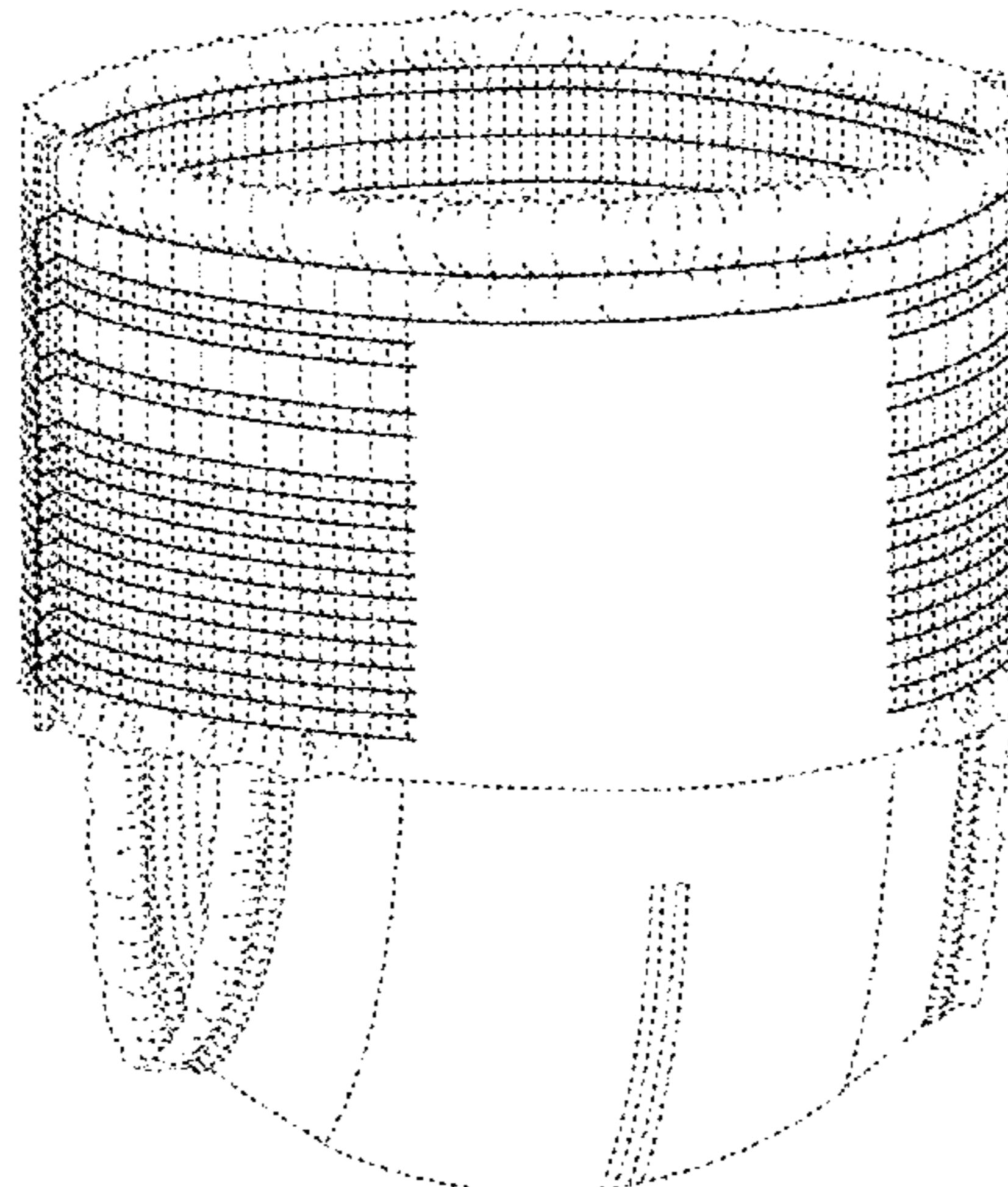
CPC .... A61F 13/496; A61F 13/51; A61F 13/5116;  
A61F 13/494; A61F 13/515; A61F 13/84;  
A61F 13/56; A61F 13/535; A61F  
13/51496; A61F 13/49014; A61F  
13/5146; A61F 13/49; A61F 13/511;  
A61F 2013/49093

See application file for complete search history.

**DESCRIPTION**

- 1. Baby's diaper
- 1.1 : Perspective
- 1.2 : Front
- 1.3 : Back
- 1.4 : Left
- 1.5 : Right

(Continued)



1.6 : Top

1.7 : Bottom

The broken lines are not part of the claimed design.

**1 Claim, 7 Drawing Sheets**

(56)

**References Cited**

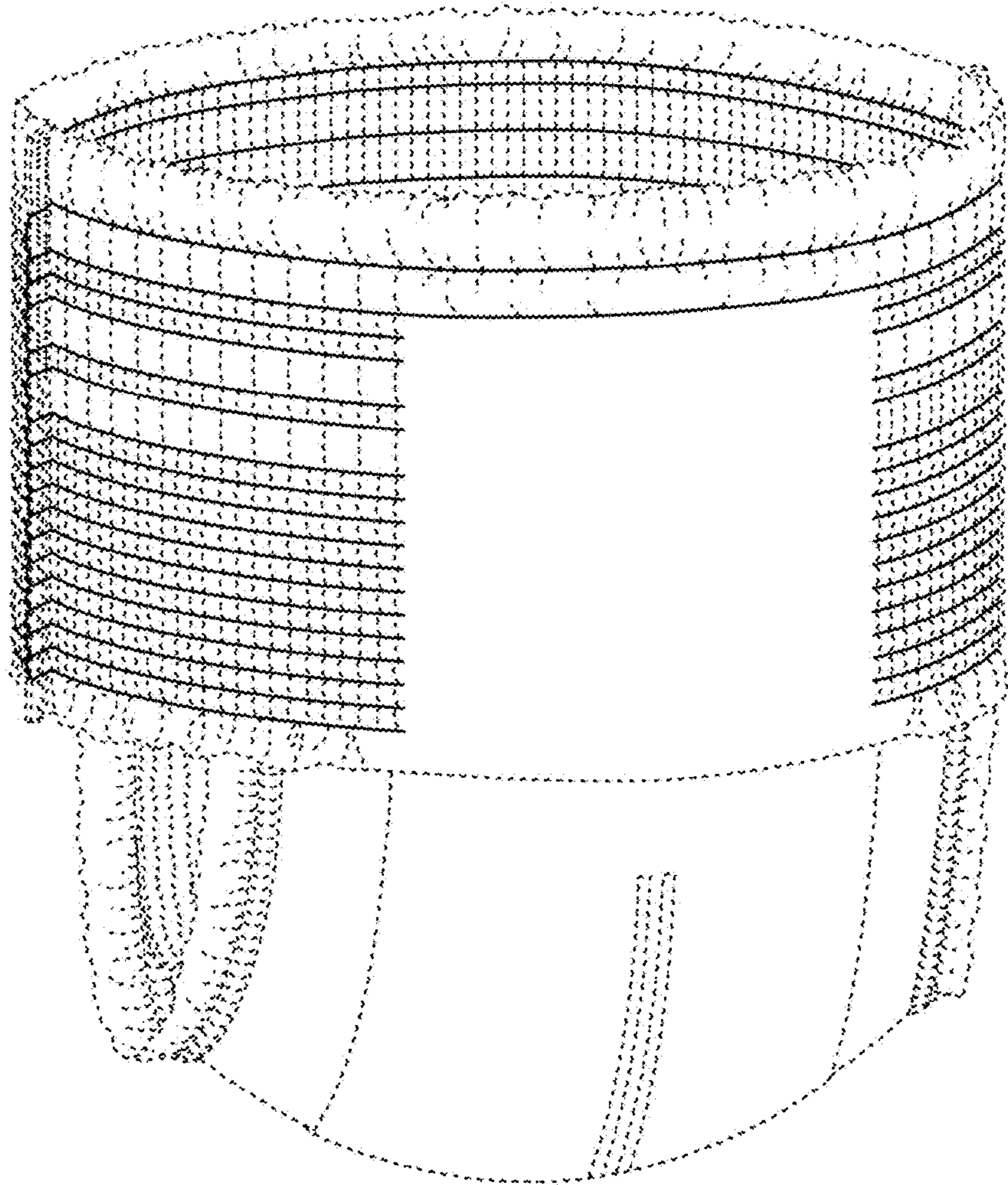
U.S. PATENT DOCUMENTS

8,518,009 B2 \* 8/2013 Saito ..... A61F 13/49011  
604/385.29  
9,011,406 B2 \* 4/2015 Torigoshi ..... A61F 13/56  
604/389  
D782,663 S \* 3/2017 Morimoto ..... D24/126  
D800,300 S \* 10/2017 Yamada ..... D24/126  
D805,191 S \* 12/2017 Yamada ..... D24/126  
D806,868 S \* 1/2018 Melendez ..... D24/126

D806,869 S \* 1/2018 Menner ..... D24/126  
D806,870 S \* 1/2018 Menner ..... D24/126  
D834,785 S \* 12/2018 Yamada ..... D2/712  
D861,861 S \* 10/2019 Kreuzer ..... D24/126  
D865,162 S \* 10/2019 Yamada ..... D24/126  
D871,779 S \* 1/2020 Yamada ..... D5/60  
10,603,228 B2 \* 3/2020 Manabe ..... A61F 13/494  
10,813,796 B2 \* 10/2020 Umemoto ..... A61F 13/532  
D902,396 S \* 11/2020 Yamada ..... D24/126  
D902,397 S \* 11/2020 Yamada ..... D24/126  
10,893,986 B2 \* 1/2021 Manabe ..... A61F 13/496  
D927,130 S \* 8/2021 Fraser ..... D2/712  
D930,949 S \* 9/2021 Betts ..... D2/717  
11,116,676 B2 \* 9/2021 Konawa ..... A61F 13/49019  
D933,818 S \* 10/2021 Smet ..... D24/126  
D938,020 S \* 12/2021 Sullivan ..... D24/126  
D938,021 S \* 12/2021 Sullivan ..... D24/126  
11,213,435 B2 \* 1/2022 Fukae ..... A61F 5/44  
D942,619 S \* 2/2022 Moore-Jones ..... D24/126  
11,291,593 B2 \* 4/2022 Takaishi ..... B29C 66/41  
11,298,274 B2 \* 4/2022 Ide ..... A61F 13/496

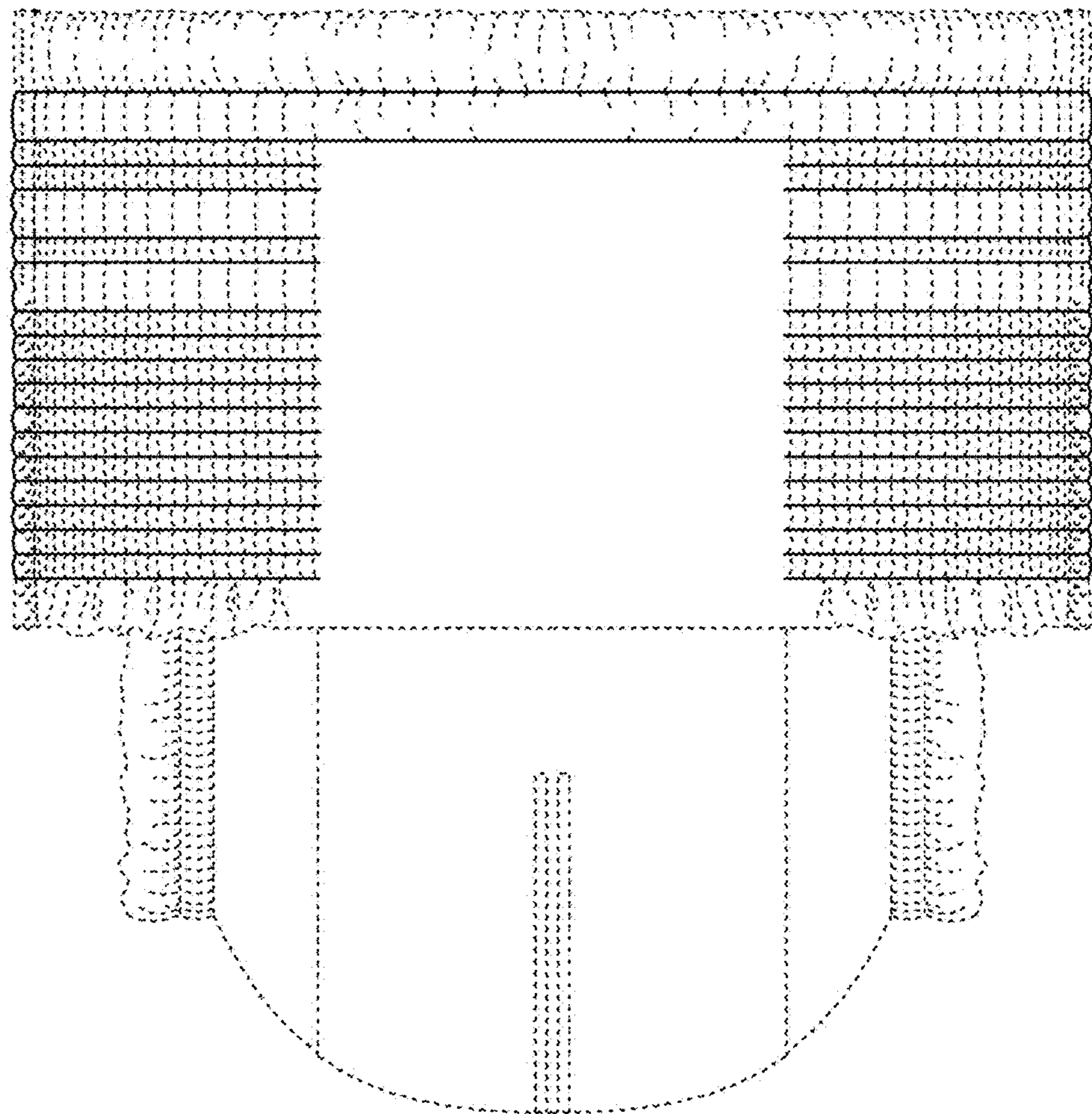
\* cited by examiner

1.1

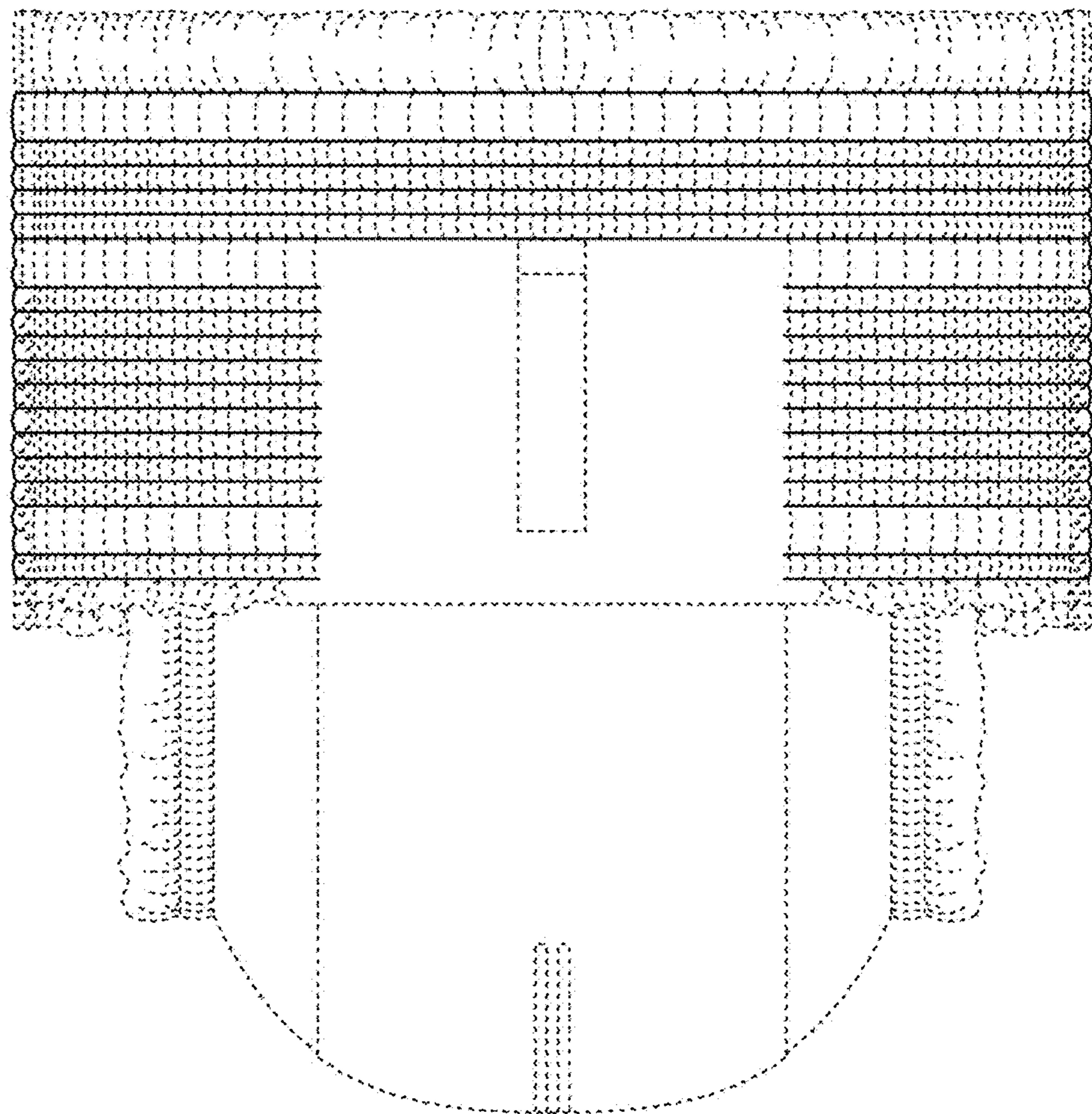




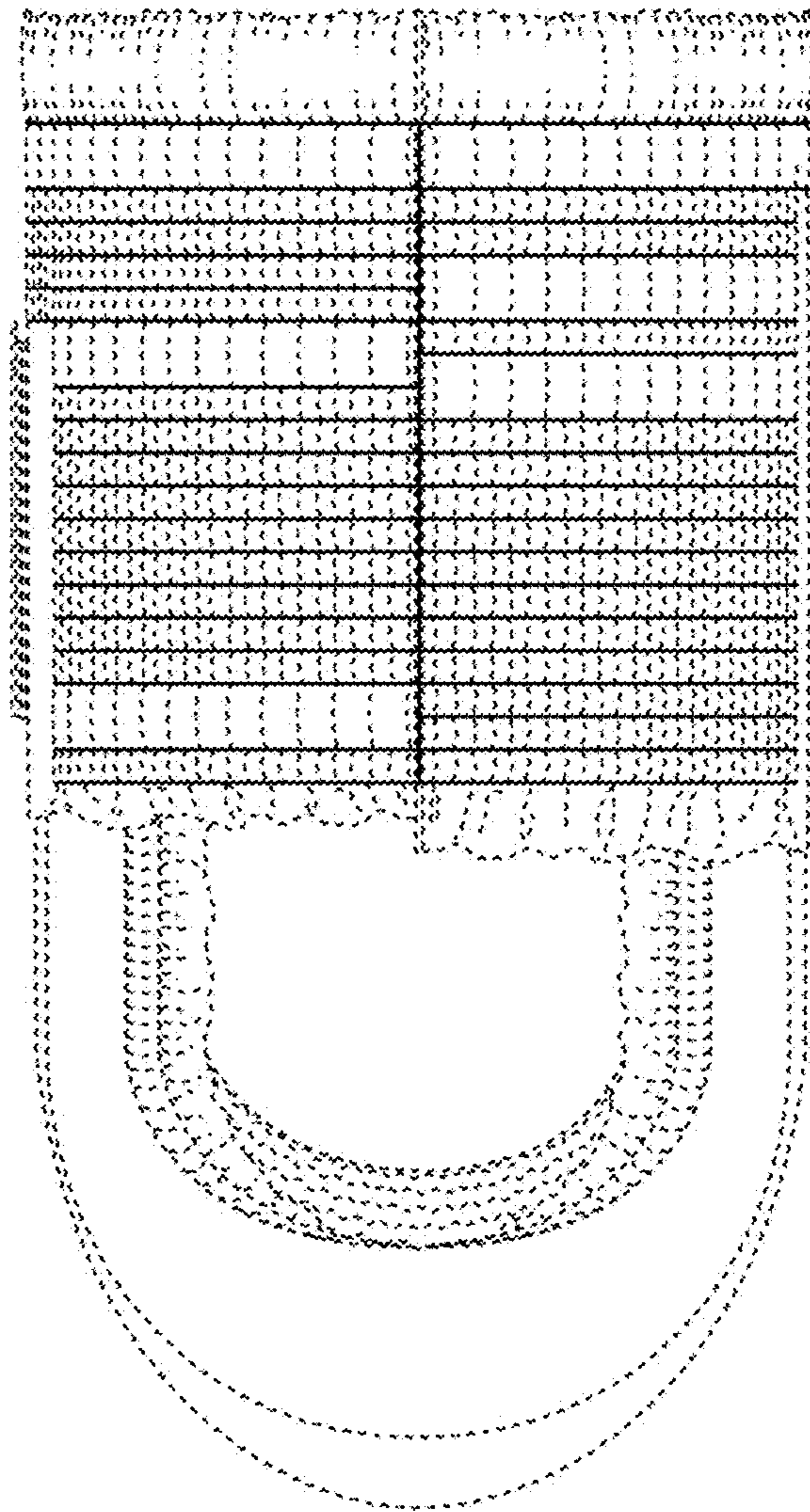
1.2



1.3

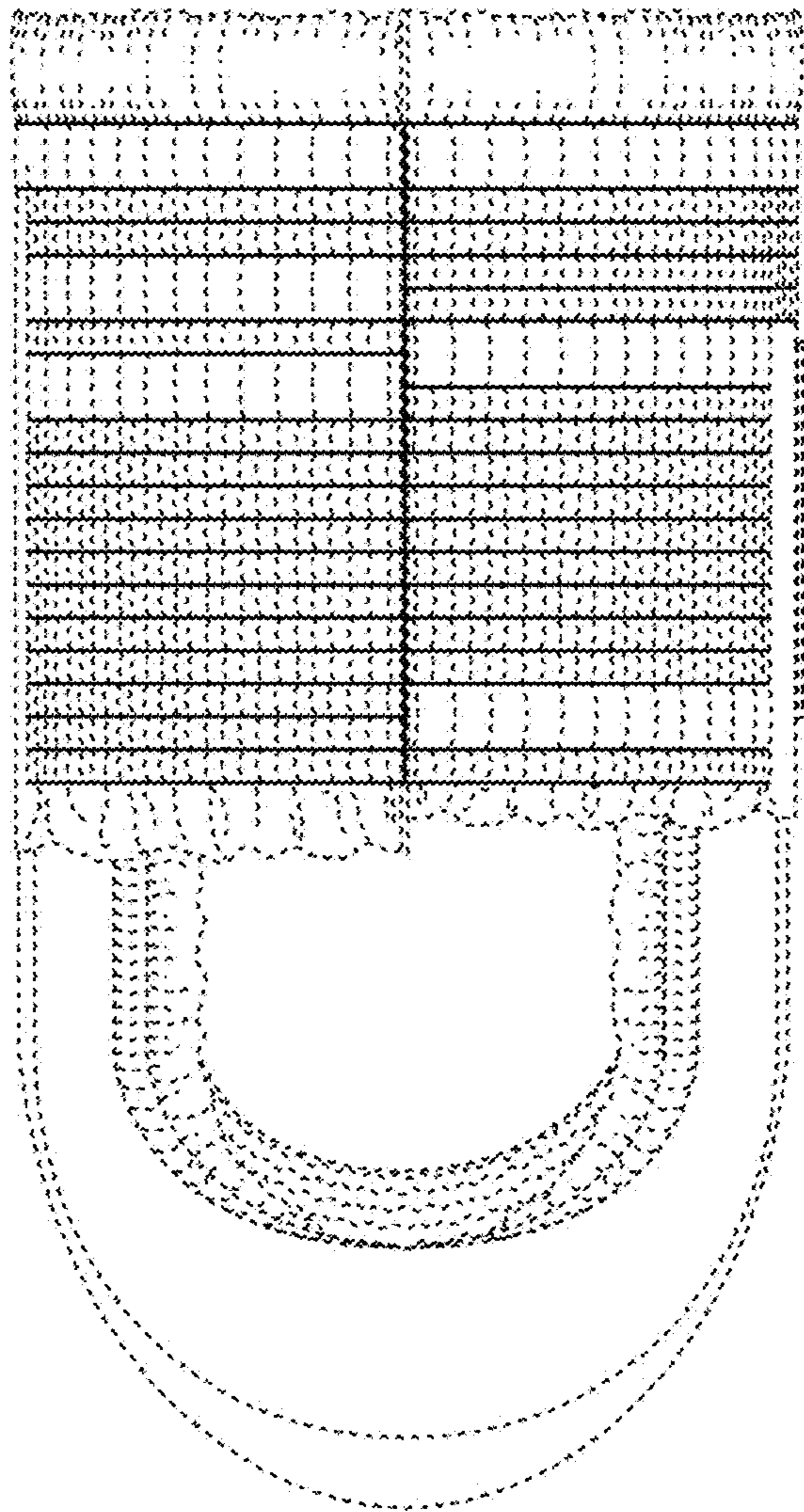


1.4

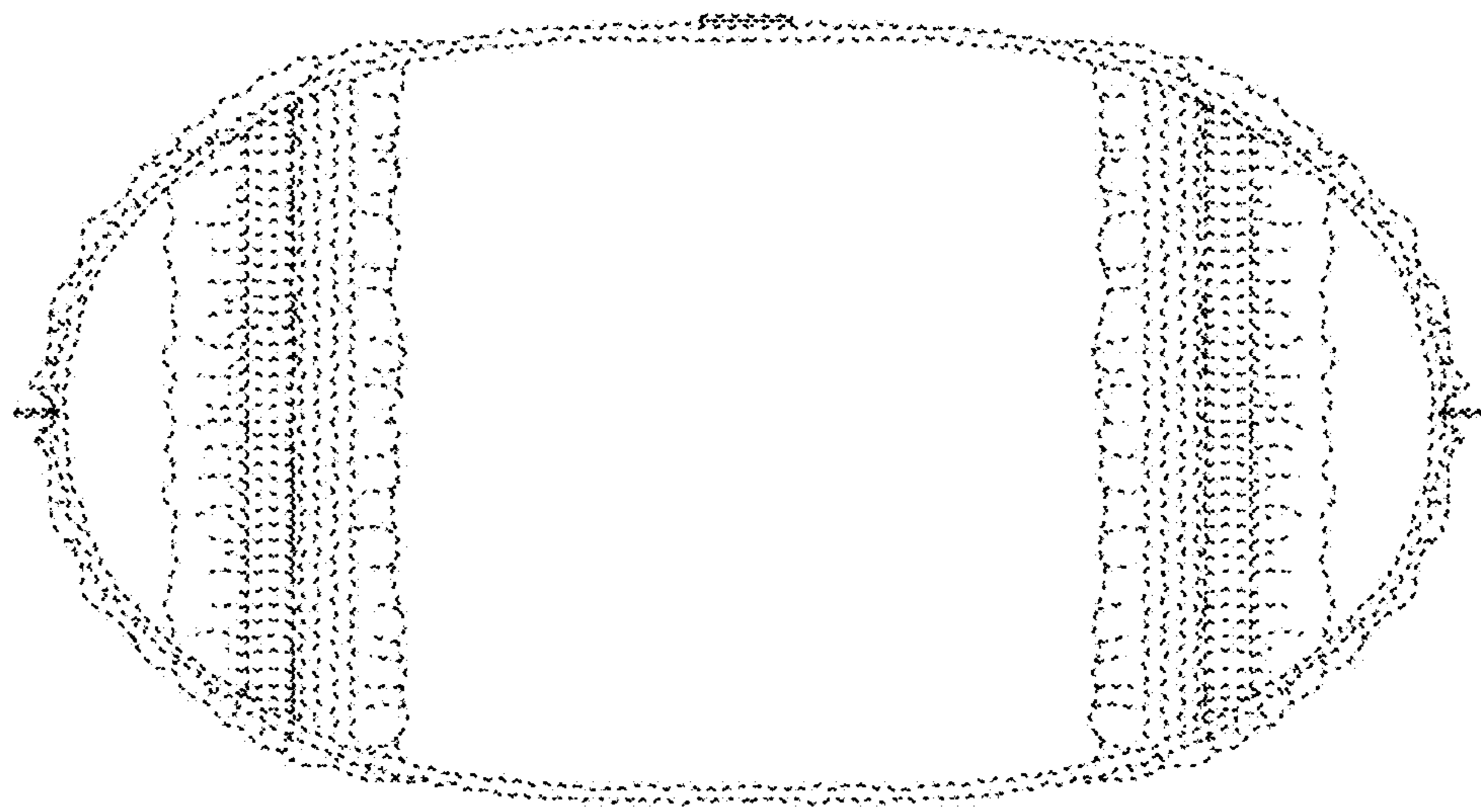




1.5



1.6





1.7

