



US00D980418S

(12) **United States Design Patent** (10) **Patent No.:** **US D980,418 S**
Ko (45) **Date of Patent:** **** Mar. 7, 2023**

(54) **BIOPSY DEVICE FOR MEDICAL USE**

D677,380 S * 3/2013 Julian D24/113
D733,289 S * 6/2015 Blanchard A61M 25/0102
D24/112
D802,750 S * 11/2017 Jones D24/113
D851,755 S * 6/2019 Nazzaro D24/114
D912,805 S * 3/2021 Lee-Sepsick D24/114
D963,841 S * 9/2022 Copeland D24/112

(71) Applicant: **FLOWER MEDICAL CO., LTD.**,
Seongnam-si (KR)

(72) Inventor: **Hyung Jin Ko**, Anseong-si (KR)

(73) Assignee: **Flower Medical Co., Ltd.**,
Seongnam-si (KR)

(**) Term: **15 Years**

(21) Appl. No.: **35/513,096**

(22) Filed: **Jun. 7, 2021**

(80) **Hague Agreement Data**

Int. Filing Date: **Jun. 7, 2021**
Int. Reg. No.: **DM/215149**
Int. Reg. Date: **Jun. 7, 2021**
Int. Reg. Pub. Date: **Dec. 10, 2021**

(30) **Foreign Application Priority Data**

Dec. 10, 2020 (KR) 30-2020-0061282

(51) **LOC (14) Cl.** **24-02**

(52) **U.S. Cl.**
USPC **D24/114**

(58) **Field of Classification Search**
USPC D24/112-114, 108, 133, 130, 186
CPC .. A61M 5/178; A61M 5/3146; A61M 5/3129;
A61M 5/3148; A61M 5/315
See application file for complete search history.

(56) **References Cited**

U.S. PATENT DOCUMENTS

D494,270 S * 8/2004 Reschke D24/144
D495,051 S * 8/2004 Reschke D24/144
D619,251 S * 7/2010 Justiniano-Garcia
A61B 17/32053
D24/147
D672,456 S * 12/2012 Lee-Sepsick D24/112

FOREIGN PATENT DOCUMENTS

CN 306841957 * 9/2021
CN 306895586 * 10/2021
KR 301133321.0000 * 10/2021

OTHER PUBLICATIONS

Breast biopsy needle BN-OCR Series, Segimed, [Postdate: Unknown],
[Site seen Oct. 27, 2022], Seen at URL: <https://www.medicalexpo.com/prod/segimedical/product-304407-1028204.html> (Year: 2022).*

(Continued)

Primary Examiner — Natasha Vujcic
Assistant Examiner — Gilbert B Ford
(74) *Attorney, Agent, or Firm* — Knobbe Martens Olson & Bear LLP

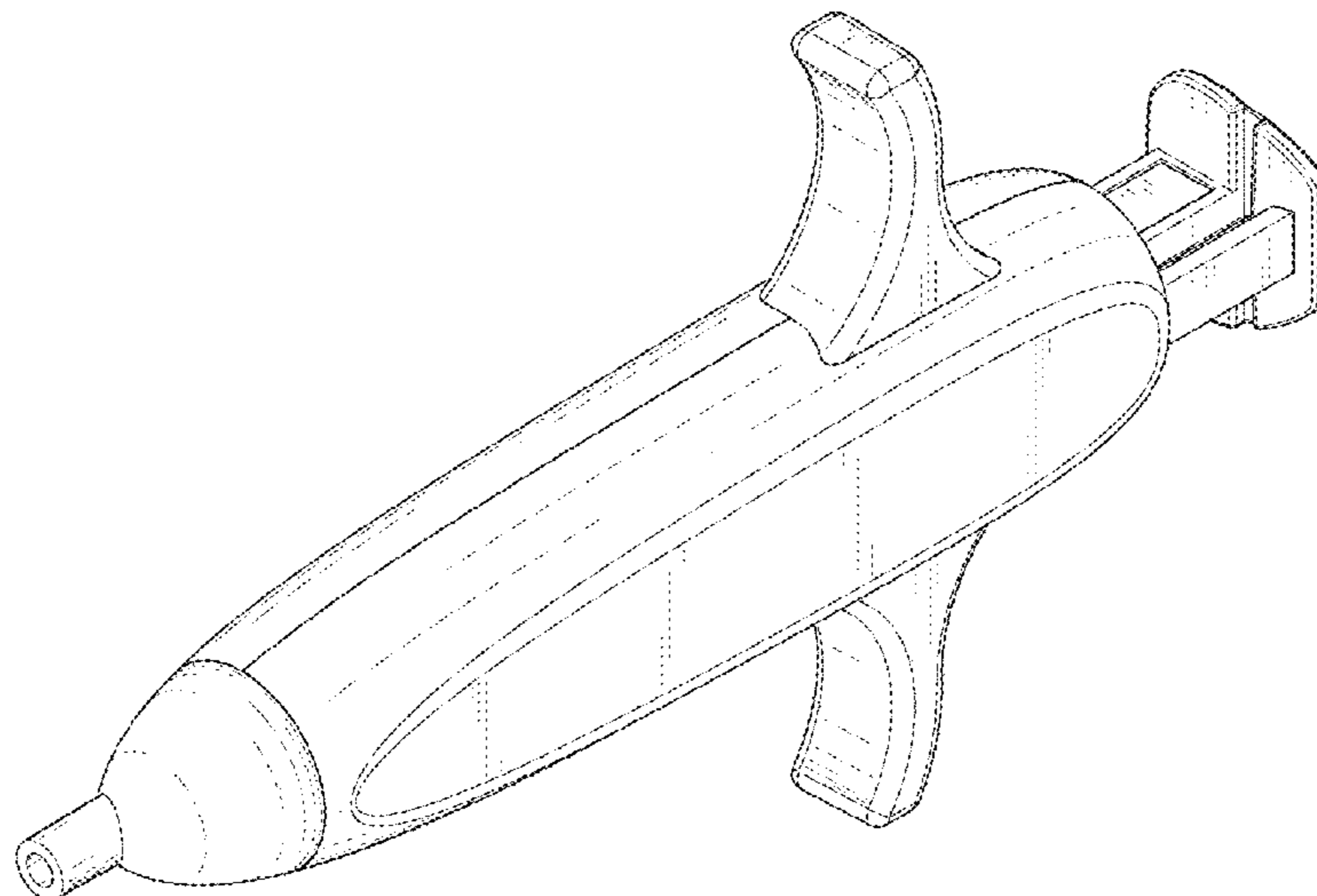
(57) **CLAIM**

I claim, the ornamental design for a biopsy device for medical use, as shown and described.

DESCRIPTION

- 1. Biopsy device for medical use
- 1.1 : Perspective
- 1.2 : Front
- 1.3 : Back
- 1.4 : Left
- 1.5 : Right
- 1.6 : Top
- 1.7 : Bottom

1 Claim, 7 Drawing Sheets



(56)

References Cited

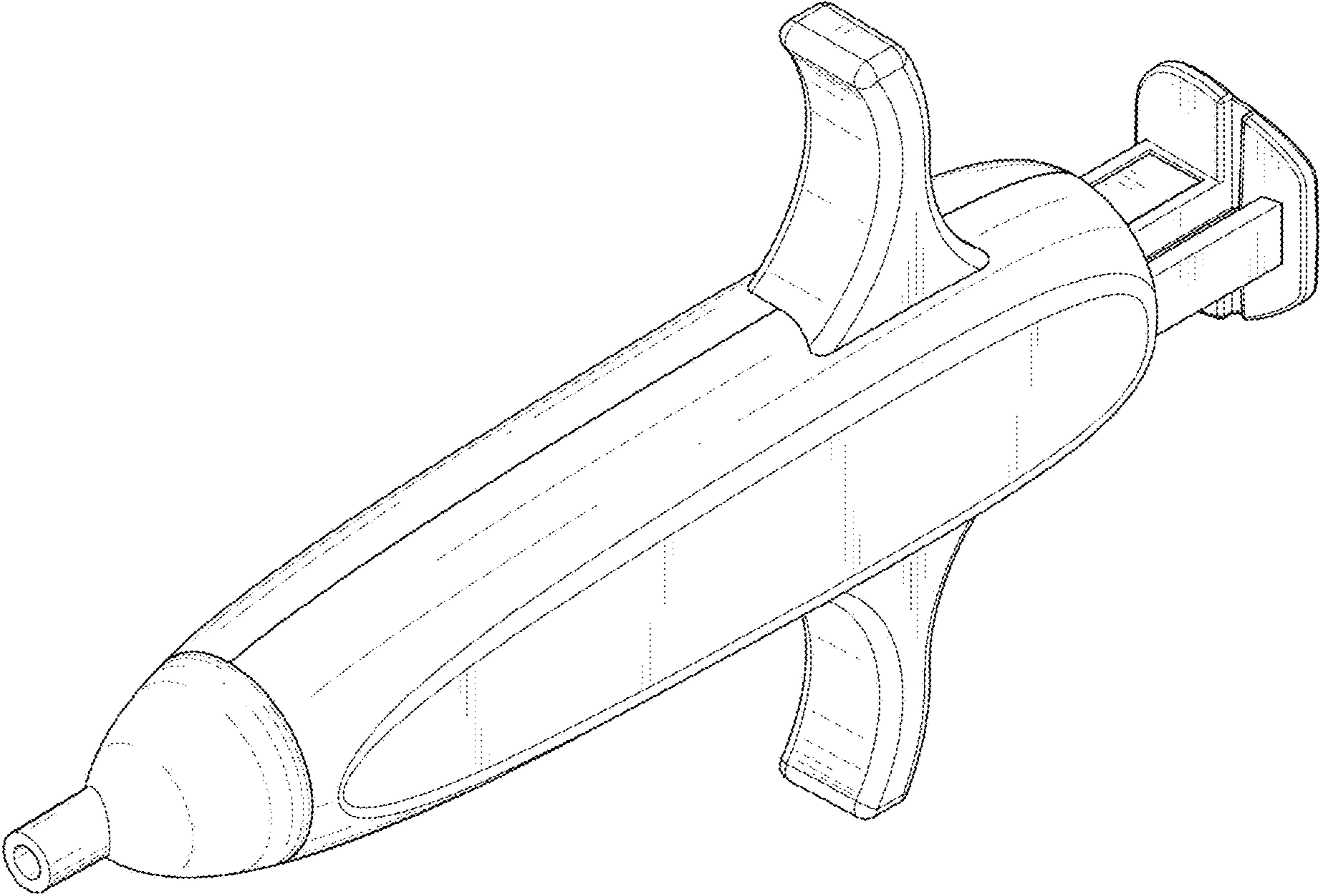
OTHER PUBLICATIONS

Sertera Biopsy Device, Sertera, [Postdate unknown], [Site seen Oct. 27, 2022], Seen at URL: <https://www.hologic.com/hologic-products/breast-health-solutions/sertera-spring-loaded-core-breast-biopsy-device> (Year: 2022).*

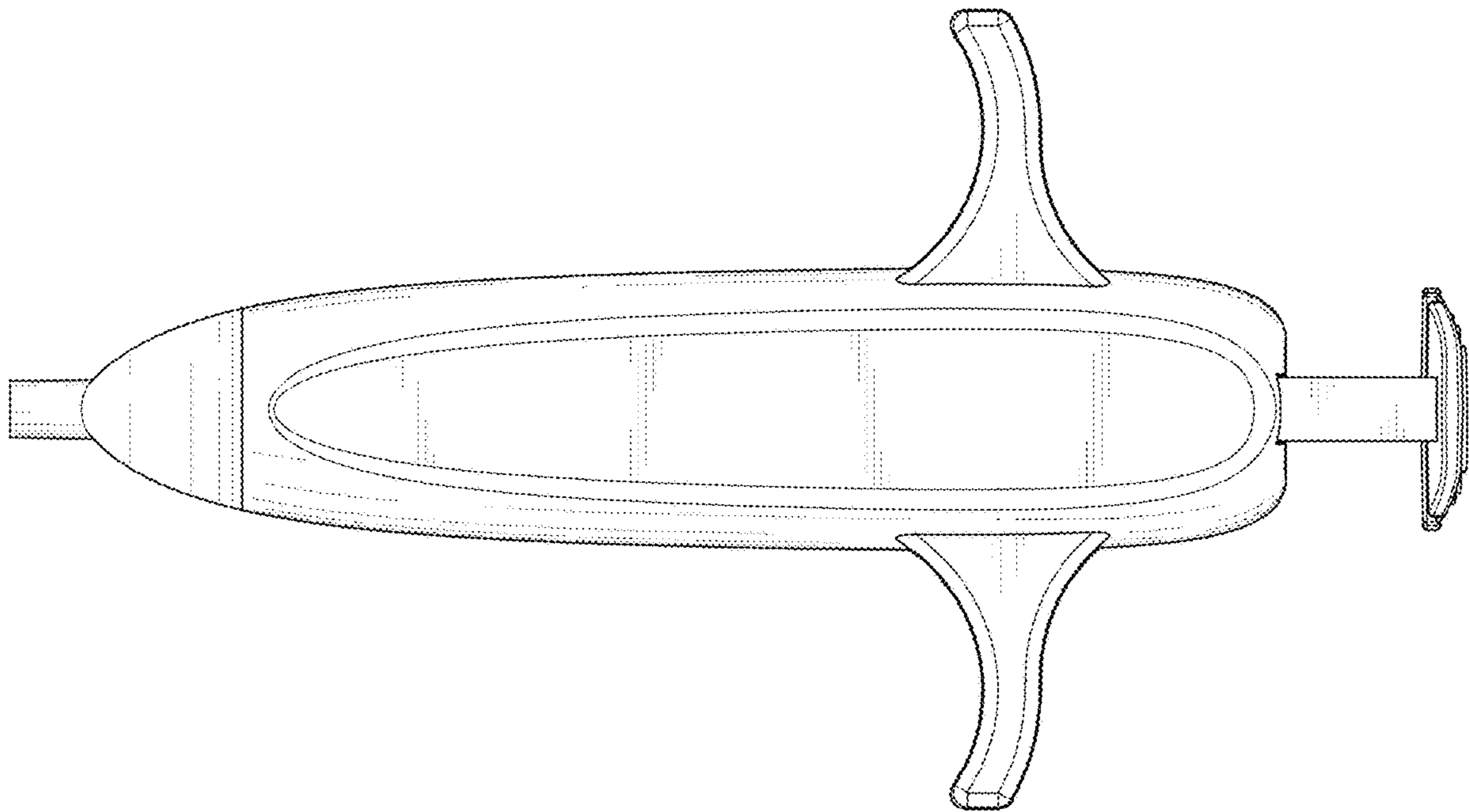
They Soft Tissues Automatic Biopsy Needle, MDL SRL, youtube, [post date May 27, 2021], [Site seen Oct. 27, 2022], Seen at URL: <https://www.youtube.com/watch?v=z67Ykb19Bpk> (Year: 2021).*

* cited by examiner

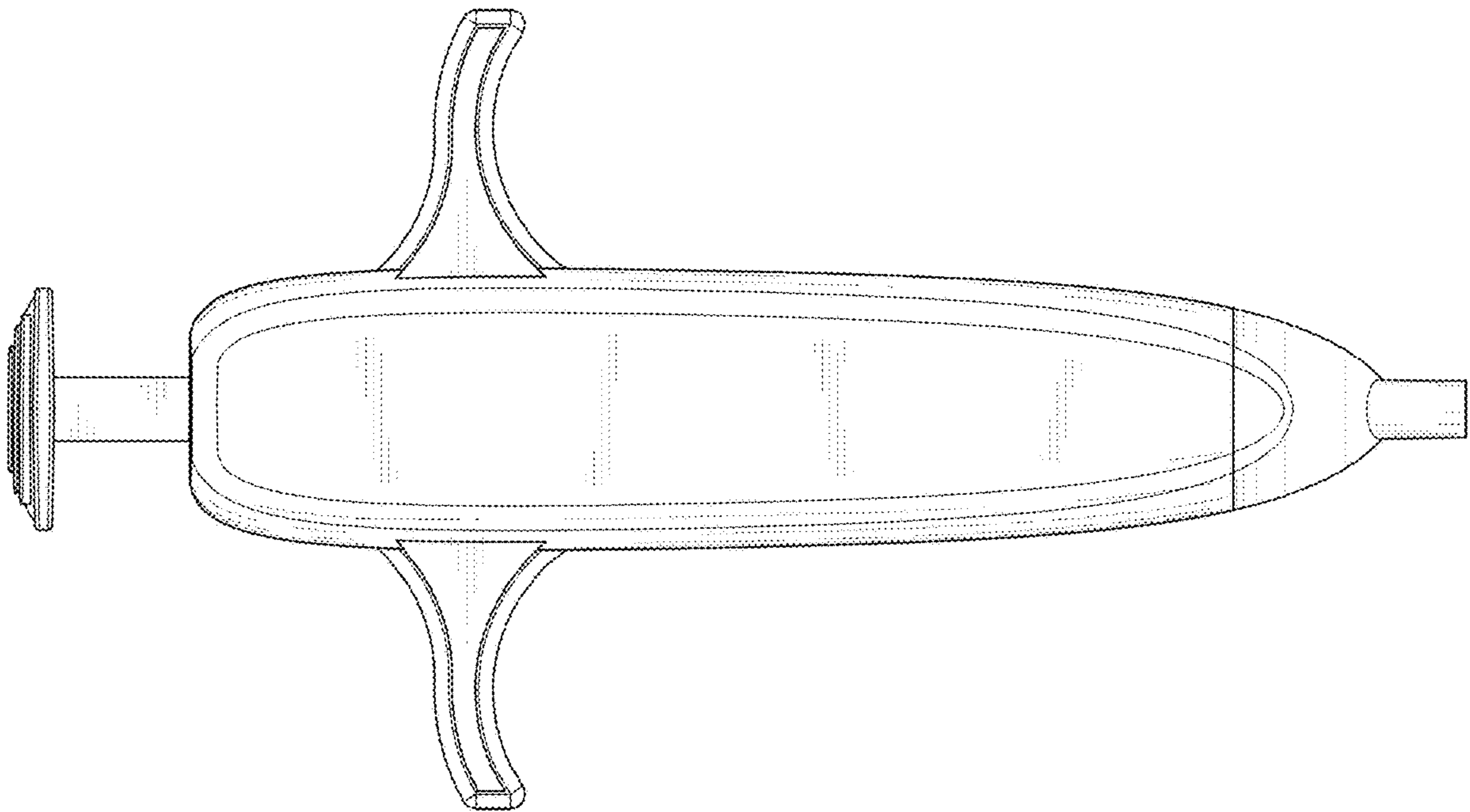
1.1



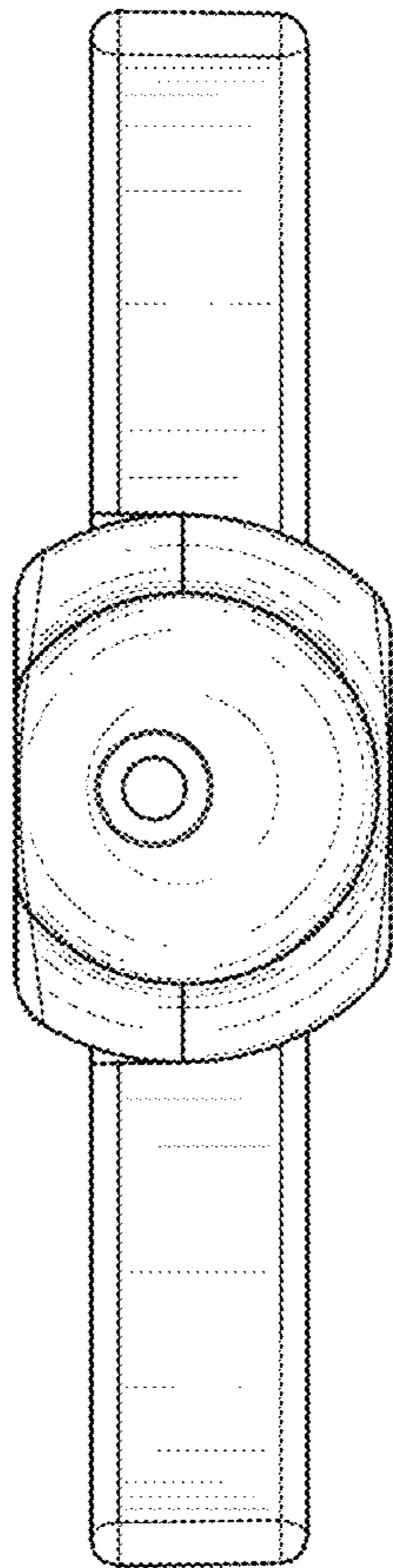
1.2



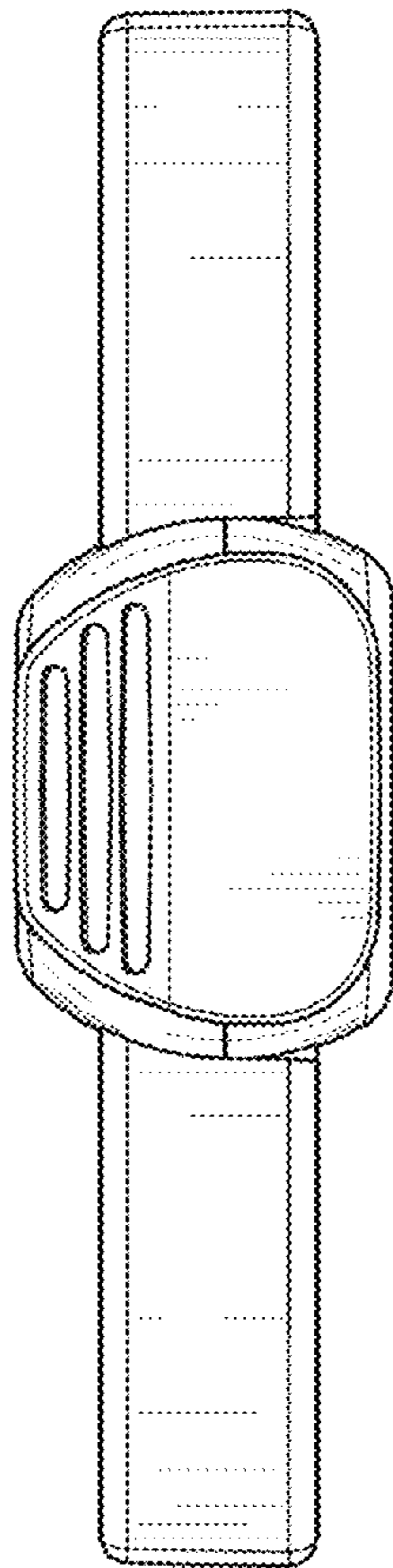
1.3



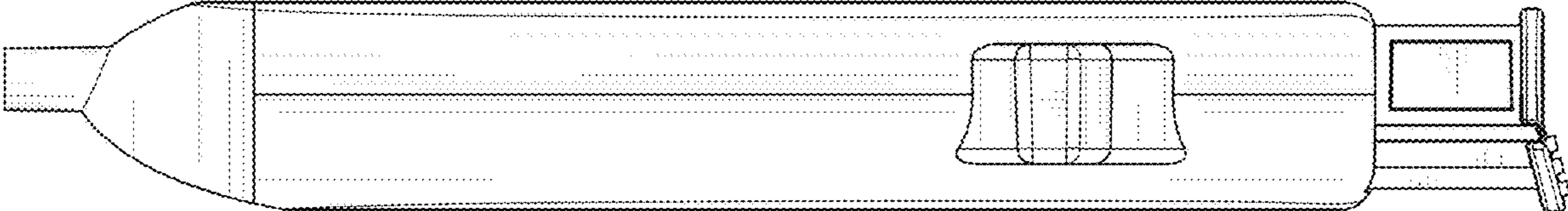
1.4



1.5



1.6



1.7

