



US00D980416S

(12) **United States Design Patent**
Holmqvist et al.

(10) **Patent No.:** **US D980,416 S**
(45) **Date of Patent:** **** Mar. 7, 2023**

(54) **HOLDER FOR A MEDICAMENT CONTAINER**

- (71) Applicant: **SHL MEDICAL AG**, Zug (CH)
- (72) Inventors: **Anders Holmqvist**, Varmdo (SE);
Hsueh-Yi Chen, New Taipei (TW)
- (73) Assignee: **SHL MEDICAL AG**, Zug (CH)
- (**) Term: **15 Years**
- (21) Appl. No.: **29/785,556**
- (22) Filed: **May 26, 2021**

Related U.S. Application Data

- (63) Continuation of application No. 17/323,377, filed on May 18, 2021, which is a continuation of application No. 17/220,634, filed on Apr. 1, 2021, which is a continuation of application No. 16/871,897, filed on May 11, 2020, which is a continuation of application No. 16/045,820, filed on Jul. 26, 2018, now Pat. No. 11,027,067, which is a continuation of application No. 15/809,398, filed on Nov. 10, 2017, which is a continuation of application No. 15/065,670, filed on
(Continued)

(30) **Foreign Application Priority Data**

- Dec. 15, 2011 (SE) 151197-9
- (51) **LOC (14) Cl.** **24-02**
- (52) **U.S. Cl.**
USPC **D24/113**
- (58) **Field of Classification Search**
USPC D24/112-114, 127-130, 133, 231
CPC A61M 5/20; A61M 5/3202; A61M 5/24;
A61M 5/31; A61M 2005/244
See application file for complete search history.

(56) **References Cited**

U.S. PATENT DOCUMENTS

- D757,254 S * 5/2016 Wohlfahrt D24/113
 - D782,035 S * 3/2017 Bainton D24/113
- (Continued)

FOREIGN PATENT DOCUMENTS

NZ 423761-0001 * 5/2017

OTHER PUBLICATIONS

Insujet (Version 5) Needle Free Injection Device, European Pharma group, [Post date Oct. 21, 2022], [Site seen Oct. 6, 2022], Seen at URL: <https://ade.adea.com.au/insujet-version-5-needle-free-injection-device/> (Year: 2022).*

Primary Examiner — Natasha Vujcic
Assistant Examiner — Gilbert B Ford

(74) *Attorney, Agent, or Firm* — McDonnell Boehnen Hulbert & Berghoff LLP

(57) **CLAIM**

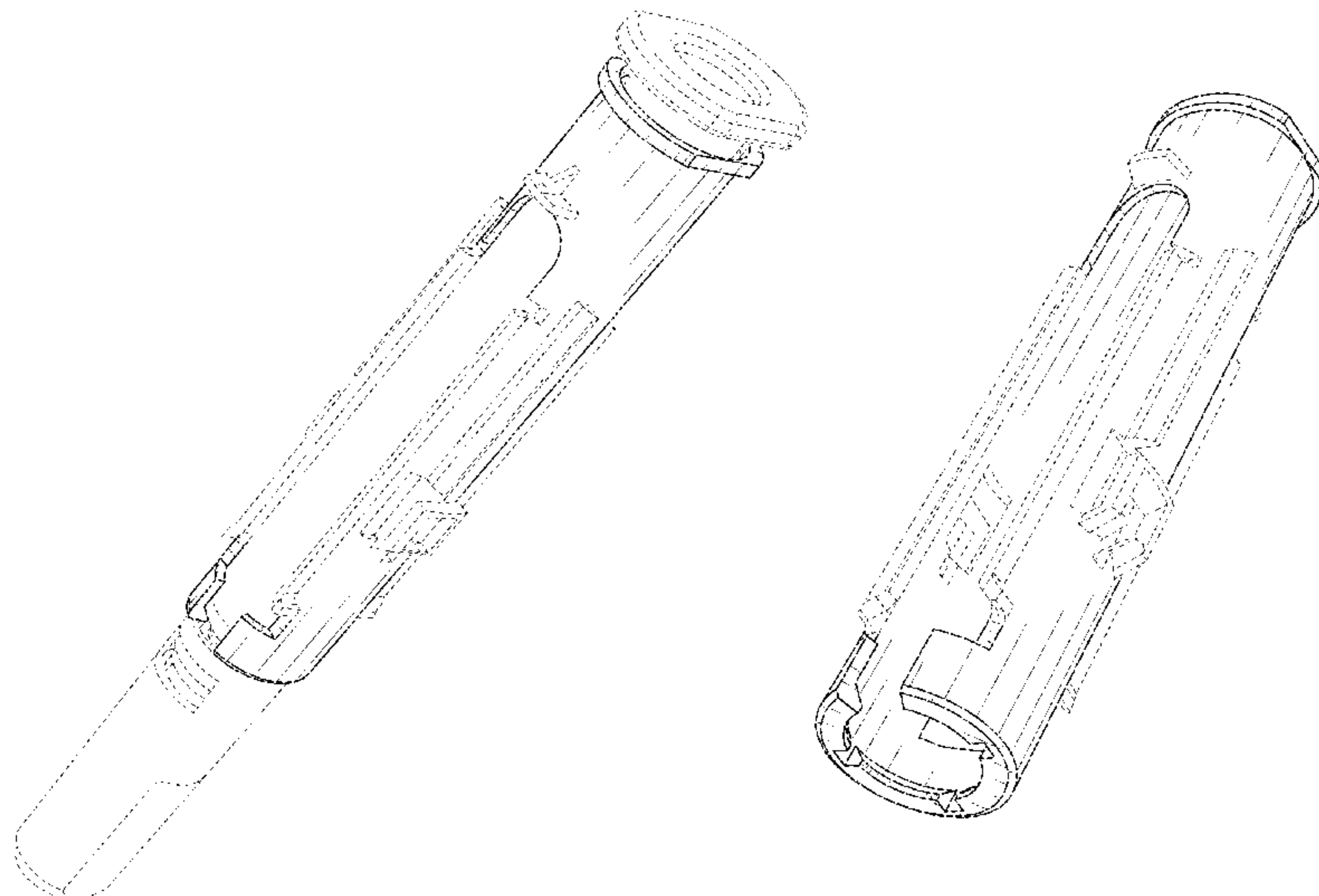
We claim the ornamental design for a holder for a medication container, as shown and described.

DESCRIPTION

FIG. 1 is a perspective view of the back and right of and above a holder for a medication container;
 FIG. 2 is a perspective view of the front and right of and above thereof;
 FIG. 3 is a perspective view of the back and right of and above the holder;
 FIG. 4 is a front top elevation view thereof;
 FIG. 5 is a bottom elevation view thereof;
 FIG. 6 is a left side elevation view thereof;
 FIG. 7 is a right side elevation thereof;
 FIG. 8 a back plan view thereof; and,
 FIG. 9 is a front plan view thereof.

The broken lines in the drawings illustrate portions of the holder for a medication container and form no part of the claimed design.

1 Claim, 6 Drawing Sheets



Related U.S. Application Data

Mar. 9, 2016, now Pat. No. 10,137,248, which is a continuation of application No. 14/365,635, filed as application No. PCT/SE2012/051365 on Dec. 10, 2012, now Pat. No. 9,867,940.

(56) **References Cited**

U.S. PATENT DOCUMENTS

D789,528	S *	6/2017	Wohlfahrt	D24/130
D888,941	S *	6/2020	Scrimgeour	D24/113
D930,827	S *	9/2021	Besson	D24/130
11,141,533	B2 *	10/2021	Olson	A61M 5/2033
D946,750	S *	3/2022	McLusky	D24/114
11,419,983	B2 *	8/2022	Andréet al.	A61M 5/2033
2020/0297928	A1 *	9/2020	Hung	A61M 5/2033
2020/0330676	A1 *	10/2020	Klitmose	A61M 5/3202
2021/0106758	A1 *	4/2021	Holmqvist	A61M 5/3204
2021/0228807	A1 *	7/2021	Holmqvist	A61M 5/31
2021/0268189	A1 *	9/2021	Holmqvist	A61M 5/24
2021/0353862	A1 *	11/2021	Schrul	A61M 5/20

* cited by examiner

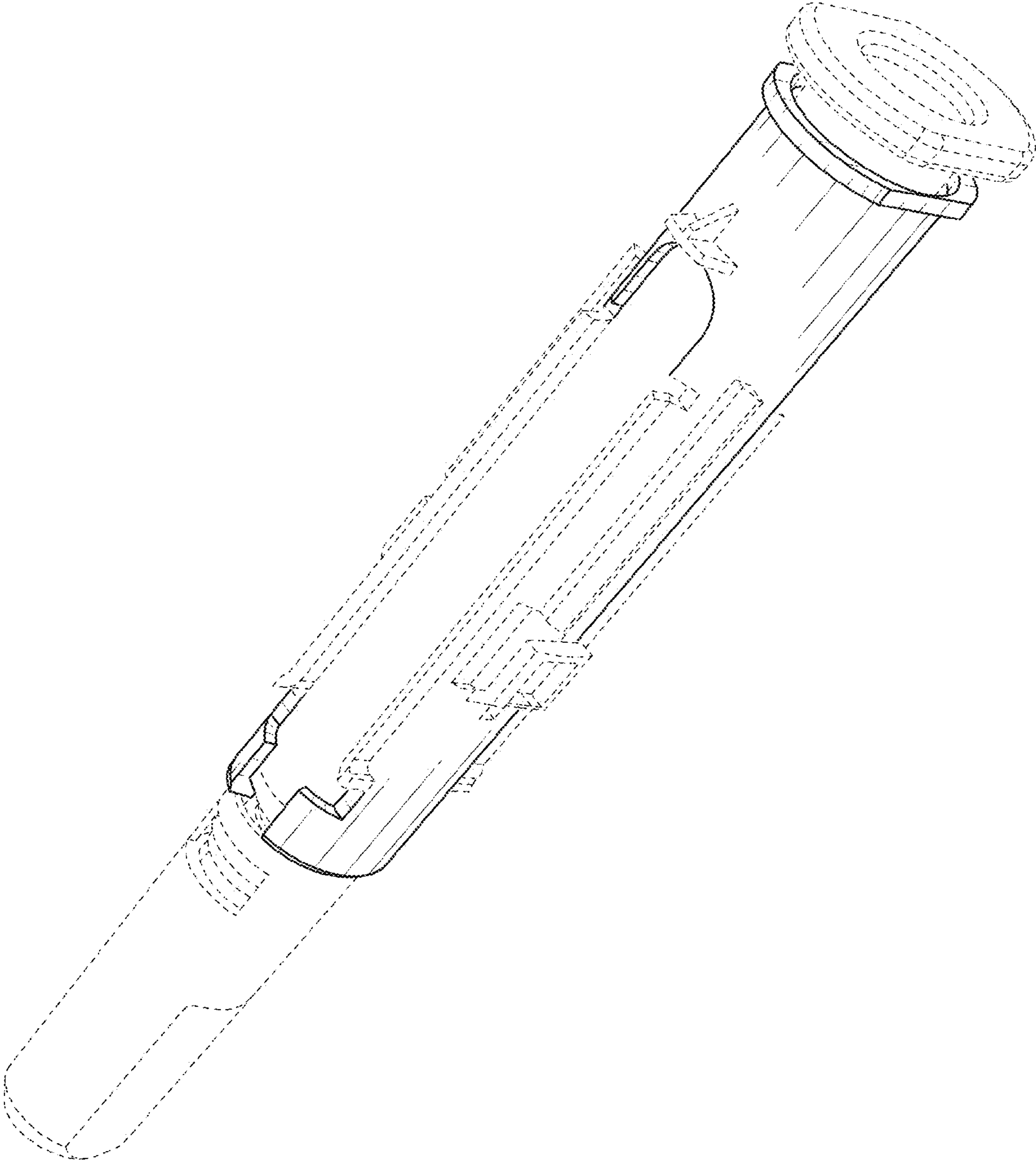


FIG. 1

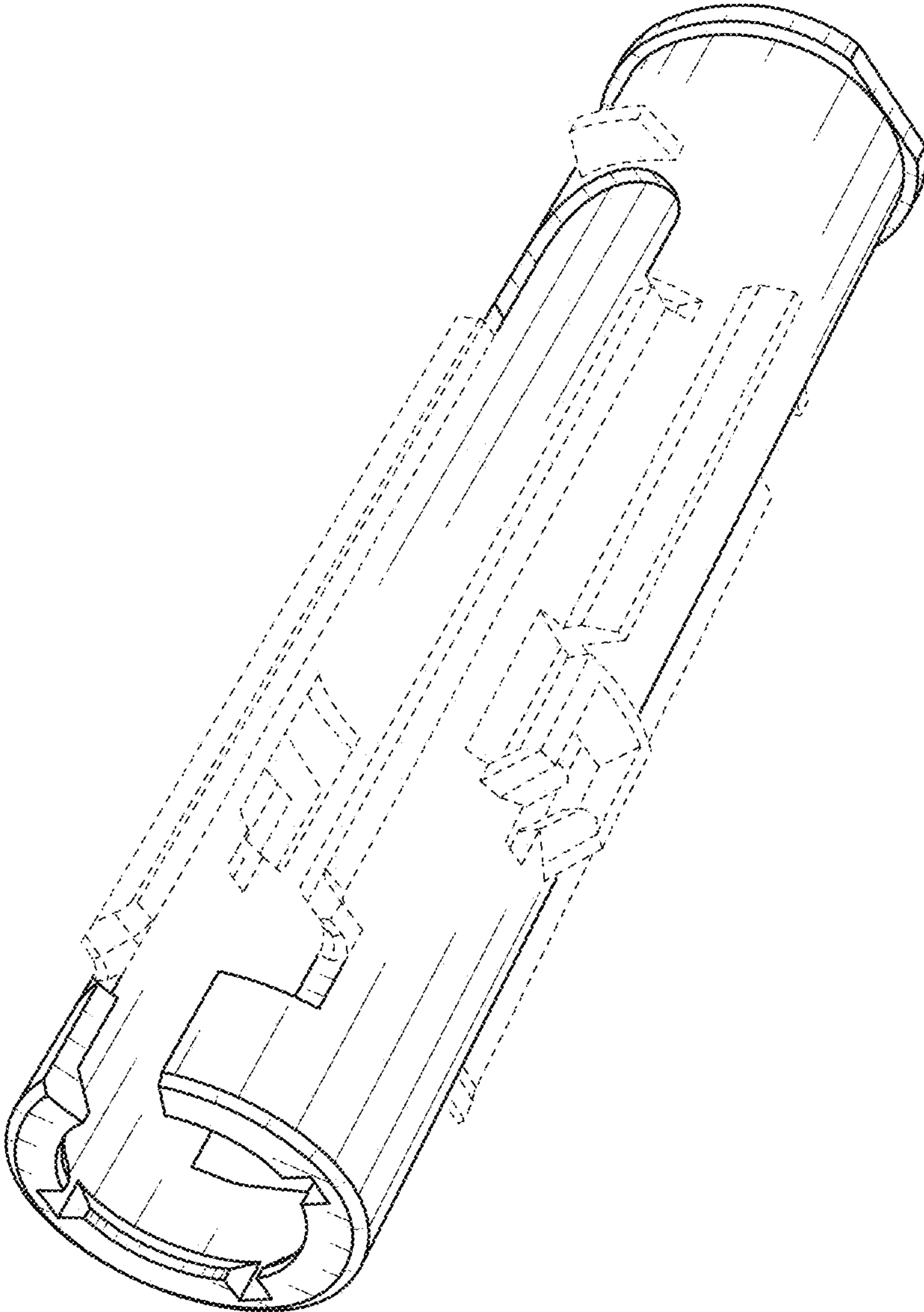


FIG. 2

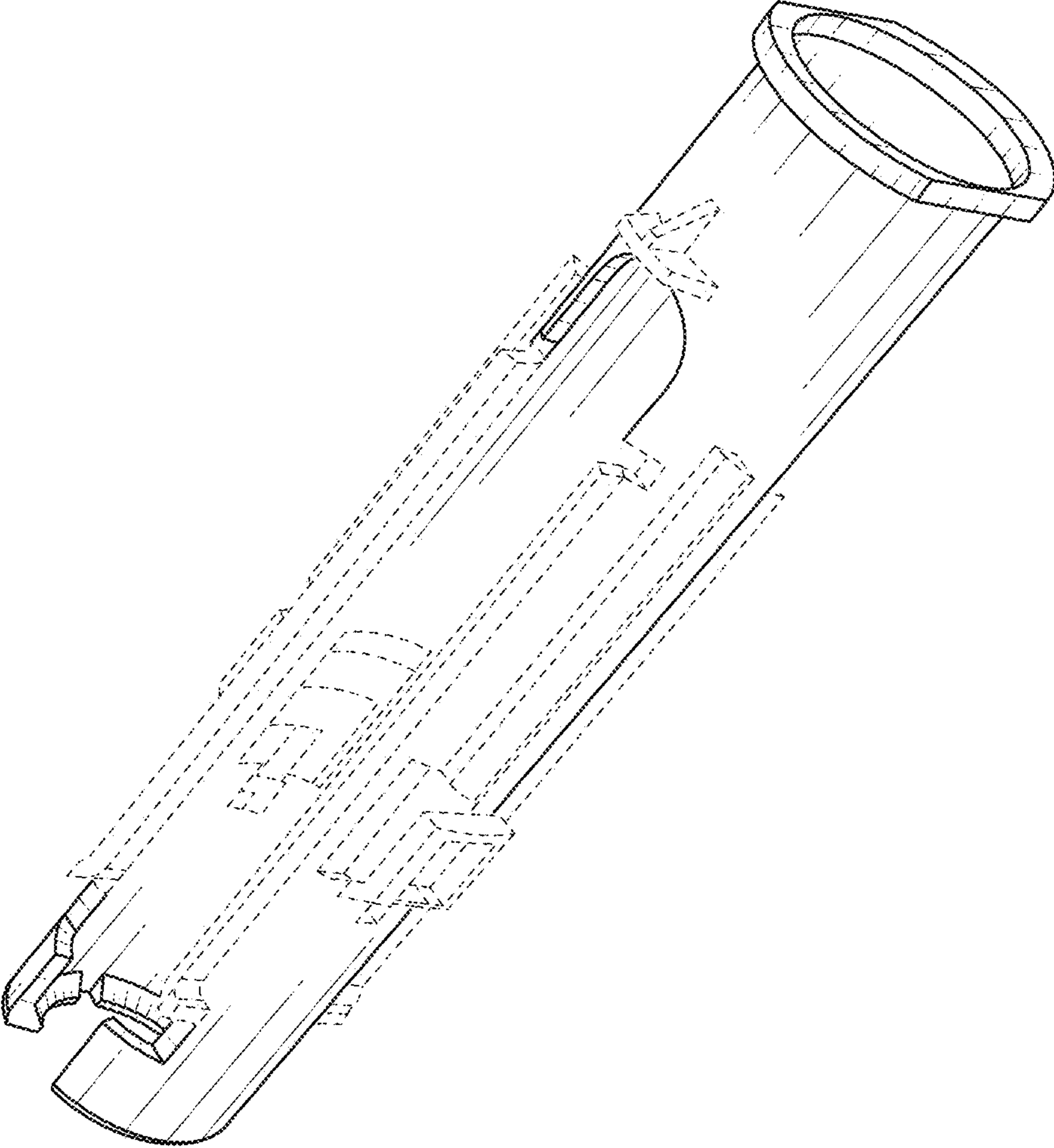


FIG. 3

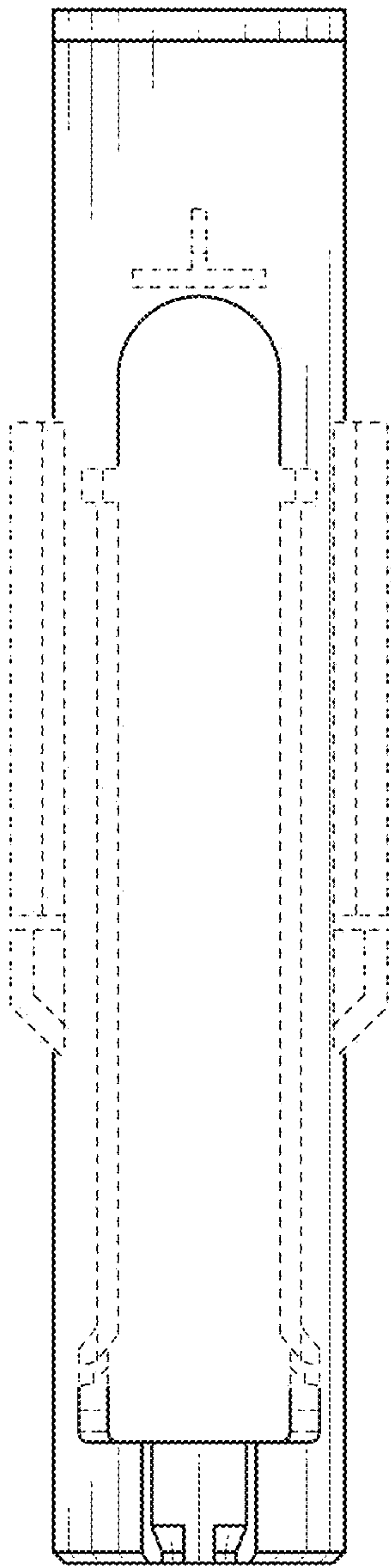


FIG. 4

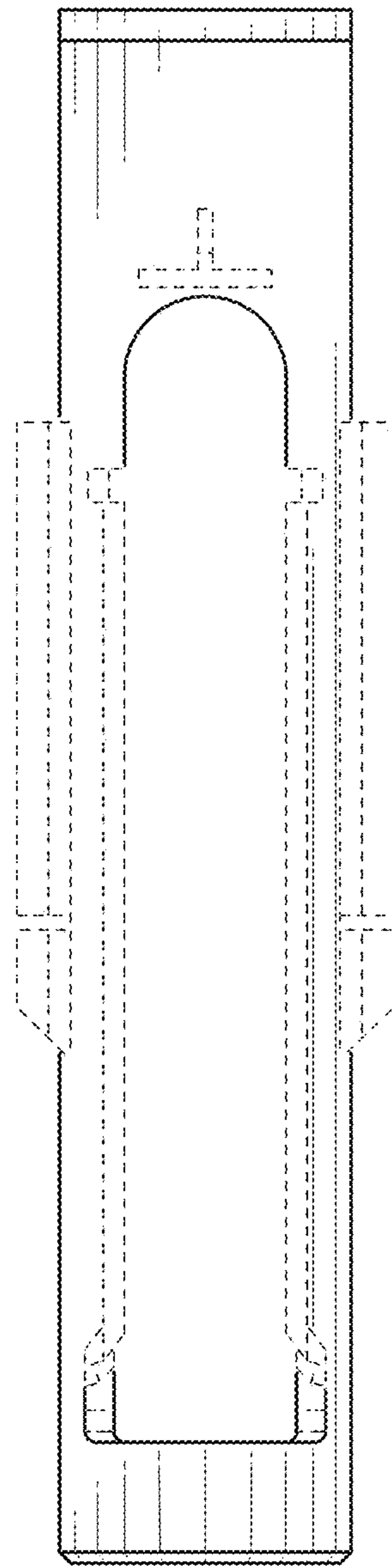


FIG. 5

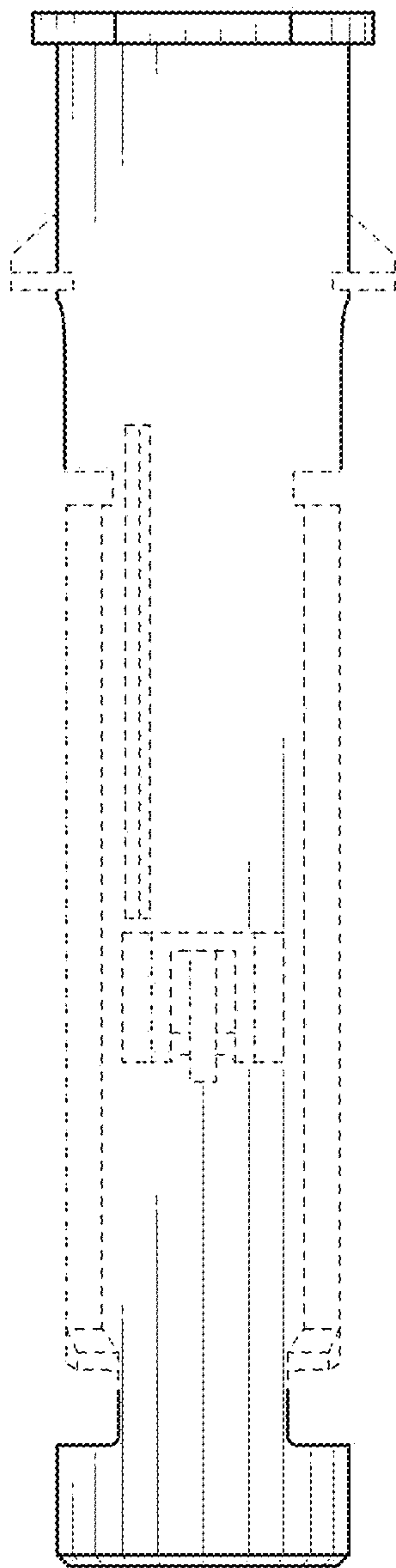


FIG. 6

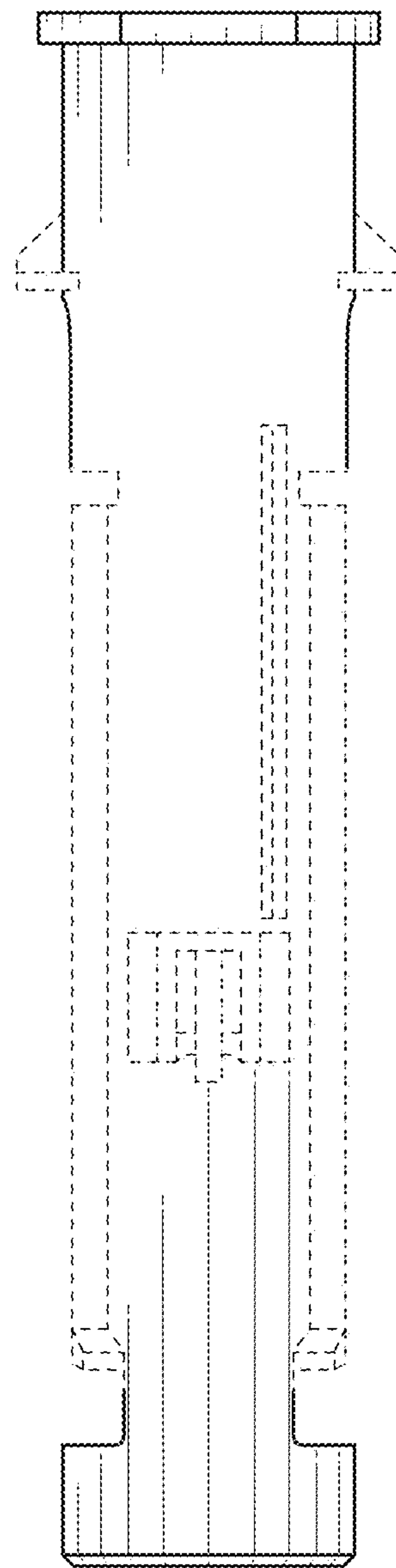


FIG. 7

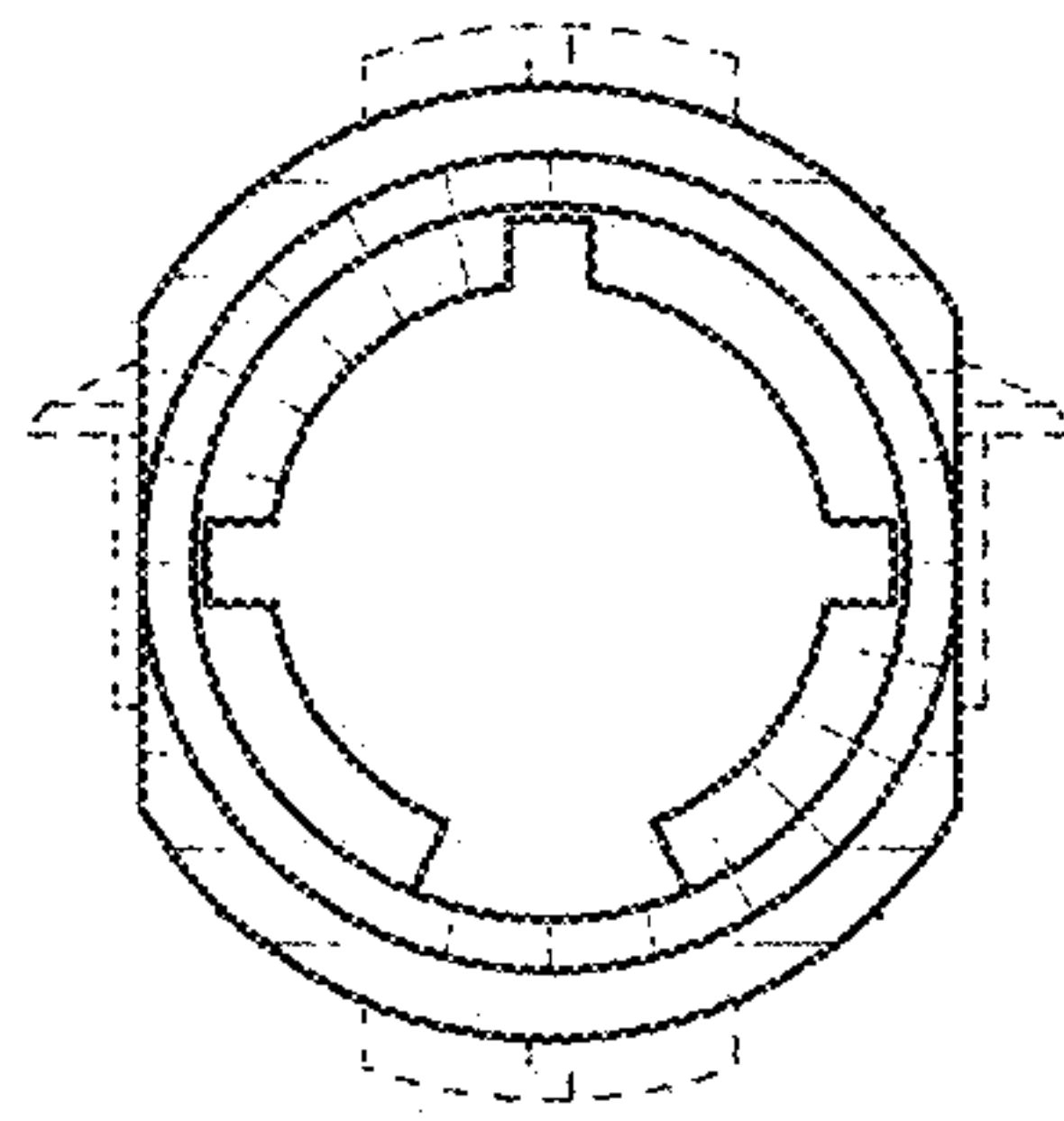


FIG. 8

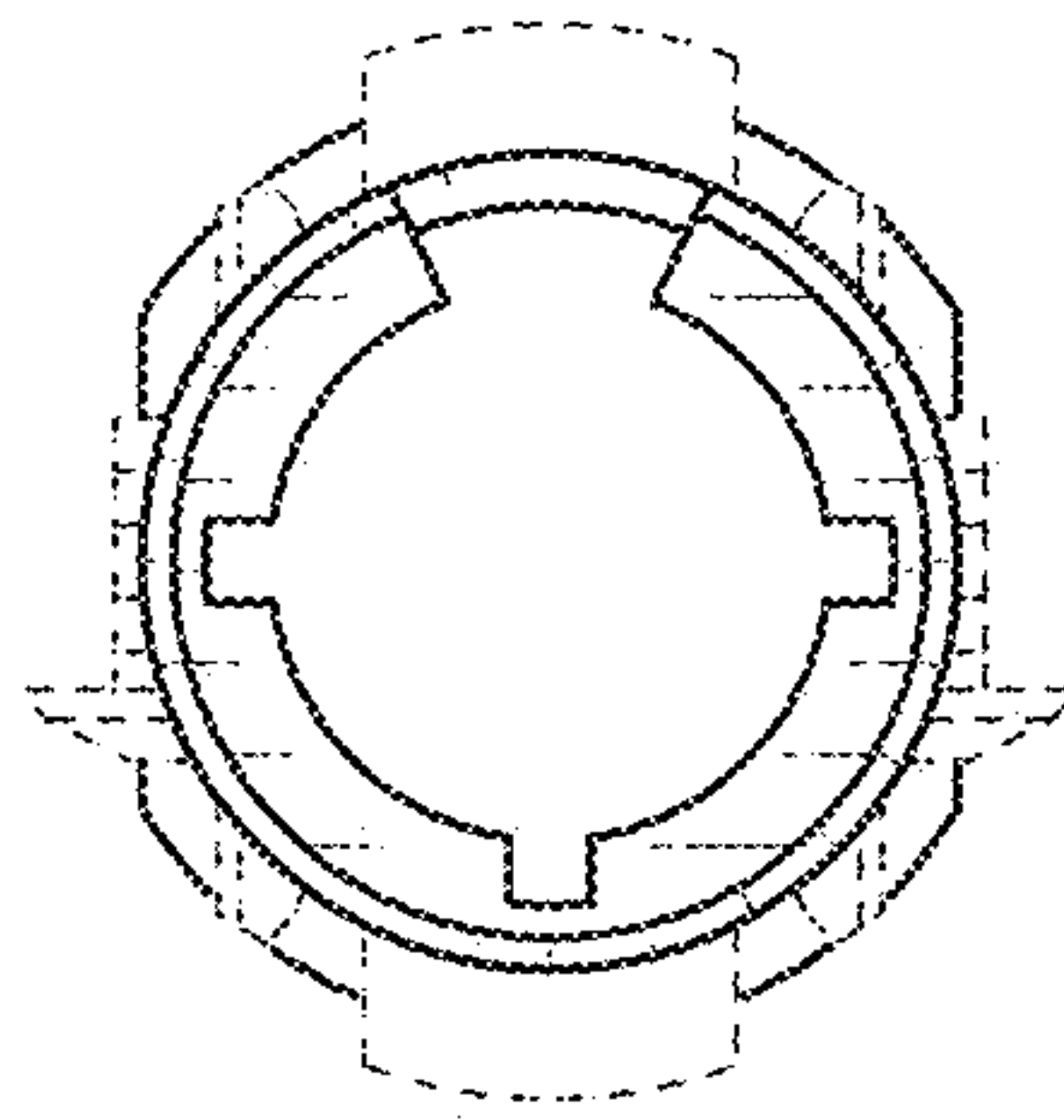


FIG. 9