



US00D980415S

(12) **United States Design Patent**  
**Zheng**

(10) **Patent No.:** **US D980,415 S**  
(45) **Date of Patent:** **\*\* Mar. 7, 2023**

(54) **ORAL IRRIGATOR**  
(71) Applicant: **Shenzhen Diwa Technology Co., Ltd.**,  
Shenzhen (CN)  
(72) Inventor: **Meihua Zheng**, Shenzhen (CN)  
(73) Assignee: **Shenzhen Diwa Technology Co., Ltd.**,  
Shenzhen (CN)

D909,568 S \* 2/2021 Xia ..... D24/111  
D932,005 S \* 9/2021 Li ..... D24/111  
D937,583 S \* 12/2021 Lin ..... D4/116  
D947,368 S \* 3/2022 Yuan ..... D24/111  
D948,033 S 4/2022 Fang  
D953,521 S \* 5/2022 Zhou ..... D24/111  
2022/0151753 A1\* 5/2022 Zhou ..... A61C 17/0205

(\*\*) Term: **15 Years**  
(21) Appl. No.: **29/839,333**

**FOREIGN PATENT DOCUMENTS**

GB 6062028 \* 5/2019  
JP D1707064 \* 2/2022  
JP D1719920 \* 7/2022

(22) Filed: **May 20, 2022**  
(51) **LOC (14) Cl.** ..... **24-04**  
(52) **U.S. Cl.**  
USPC ..... **D24/111**  
(58) **Field of Classification Search**  
USPC ..... D4/100, 101, 102, 110, 111, 136, 138,  
D4/199; D24/108, 111-115, 117, 152,  
D24/176, 231  
CPC ... A61C 17/00; A61C 17/005; A61C 17/0092;  
A61C 17/02; A61C 17/0202; A61C  
17/0205; A61C 17/0211; A61C 17/028;  
A61C 17/16; A61C 17/22; A61C 17/222;  
A61C 17/225; A61C 17/227; A61C  
17/28; A61C 17/32; A61C 17/34; A61C  
17/36; A61C 15/046; A61C 15/047; A61C  
15/048

**OTHER PUBLICATIONS**

Dental Oral Care (available [online]) Retrieved Aug. 11, 2022 from internet URL: [https://www.alibaba.com/product-detail/Dental-Oral-Care-Tooth-Spa-Water\\_1600463491819.html?spm=a2700.galleryofferlist.normal\\_offer.d\\_title.427c6f963BC2AR](https://www.alibaba.com/product-detail/Dental-Oral-Care-Tooth-Spa-Water_1600463491819.html?spm=a2700.galleryofferlist.normal_offer.d_title.427c6f963BC2AR) (Year: 2022).\*

\* cited by examiner

*Primary Examiner* — Richard Kearney  
*Assistant Examiner* — Michael Hoffman

See application file for complete search history.

(57) **CLAIM**

The ornamental design for an oral irrigator, as shown and described.

(56) **References Cited**

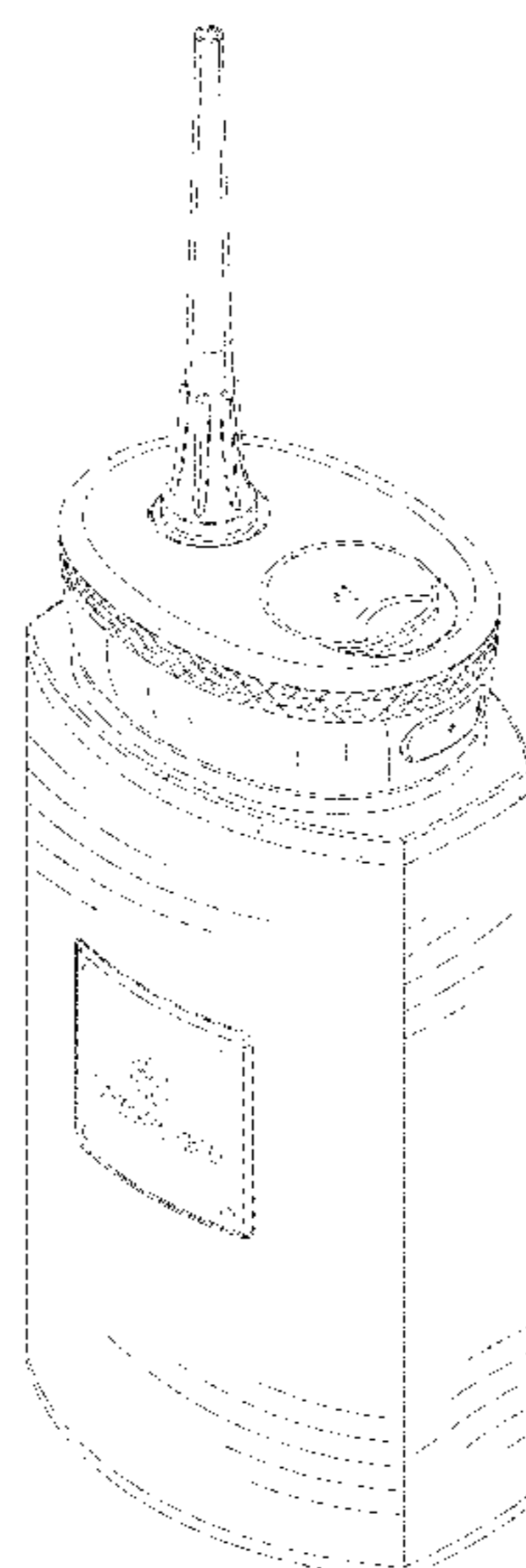
**U.S. PATENT DOCUMENTS**

D196,168 S \* 9/1963 Carlson ..... D4/101  
D425,981 S \* 5/2000 Bachman ..... D24/111  
D457,949 S \* 5/2002 Krug ..... D24/111  
D625,406 S \* 10/2010 Seki ..... D24/111  
D747,464 S \* 1/2016 Taylor ..... A61C 17/028  
D24/111  
D865,160 S \* 10/2019 Yan ..... D24/111  
D865,944 S \* 11/2019 Yan ..... D24/111

**DESCRIPTION**

FIG. 1 is a front perspective view of an oral irrigator, showing my new design;  
FIG. 2 is a front view thereof;  
FIG. 3 is a rear view thereof;  
FIG. 4 is a right side view thereof;  
FIG. 5 is a left side view thereof;  
FIG. 6 is a bottom view thereof; and,  
FIG. 7 is a top view thereof.  
The broken lines shown in the drawings illustrate portions of the article and form no part of the claimed design.

**1 Claim, 7 Drawing Sheets**



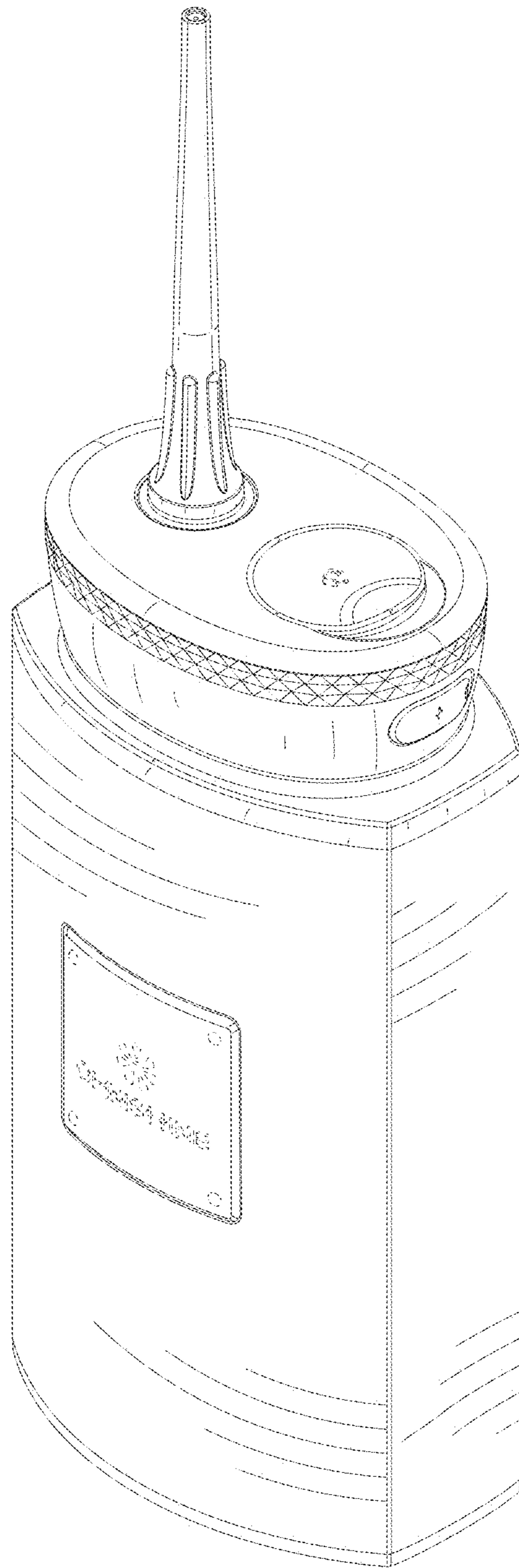


FIG. 1

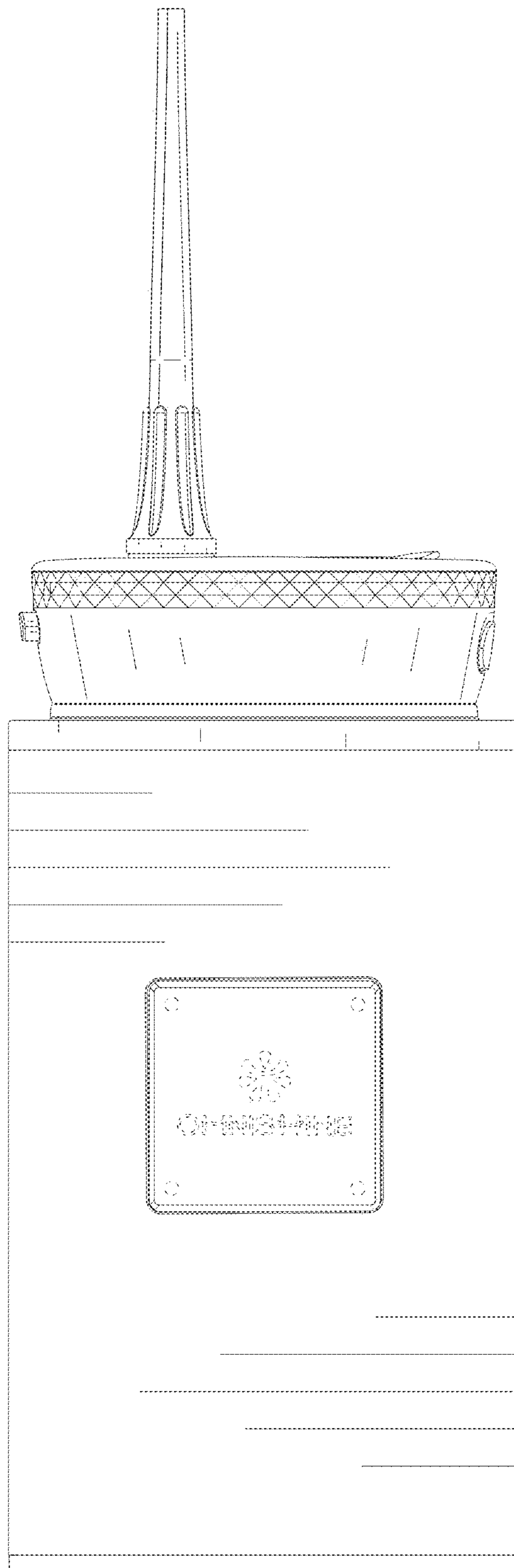


FIG. 2

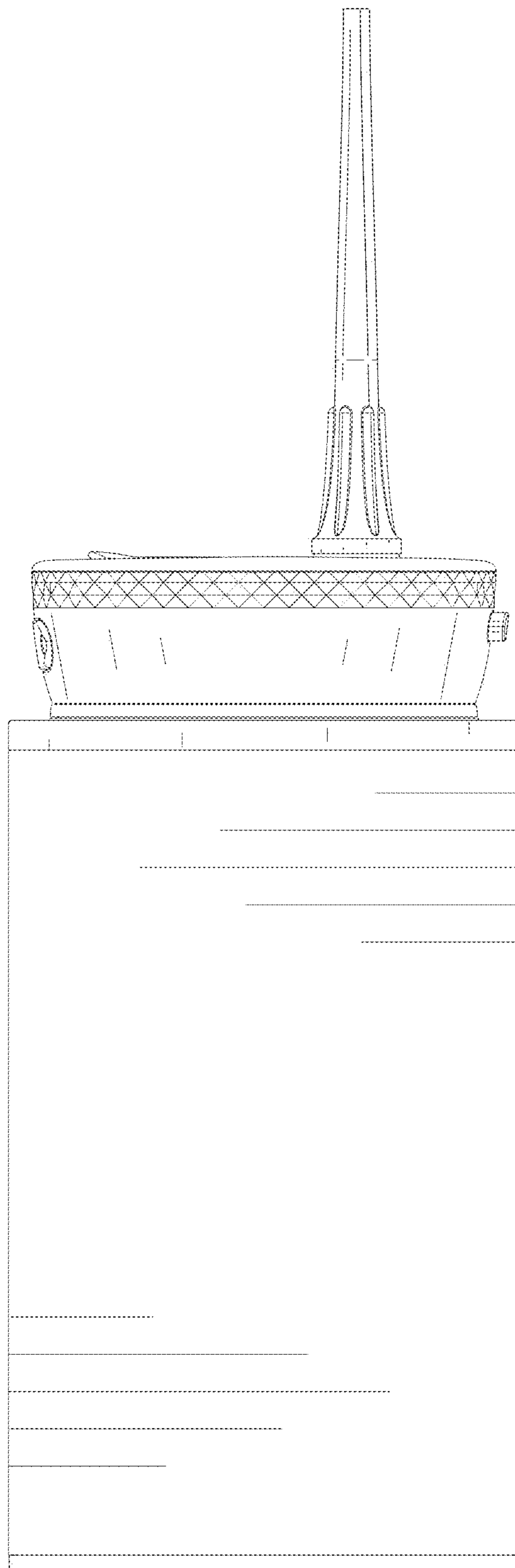


FIG. 3

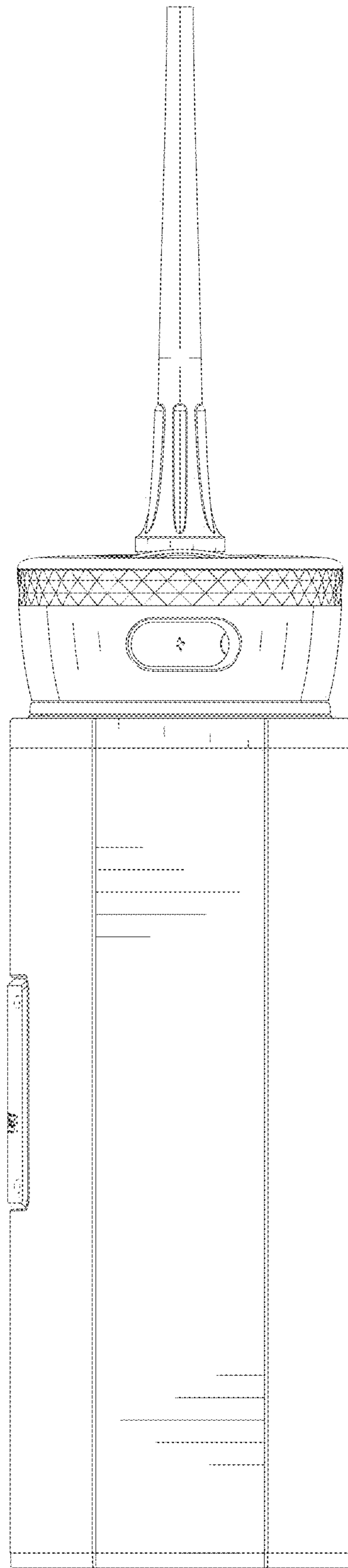


FIG. 4

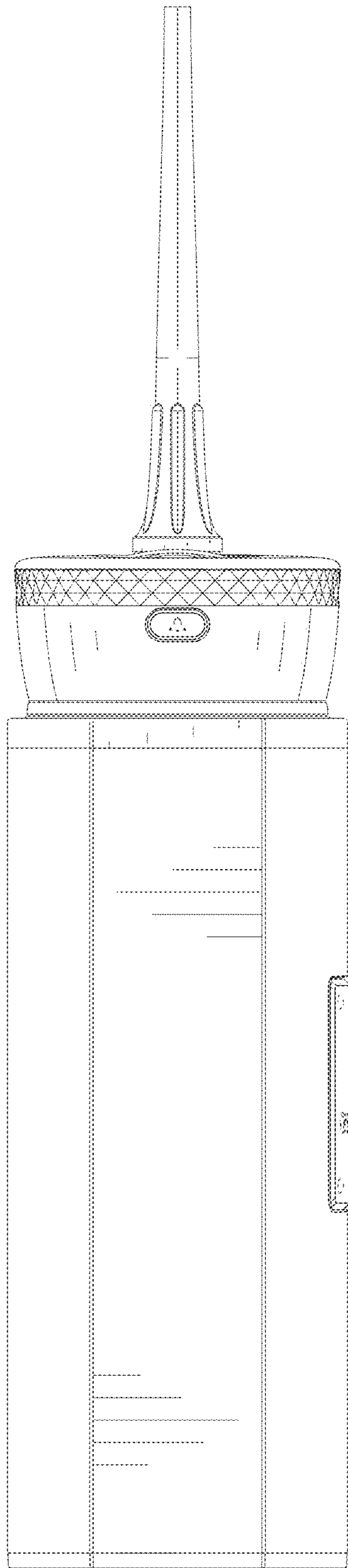


FIG. 5

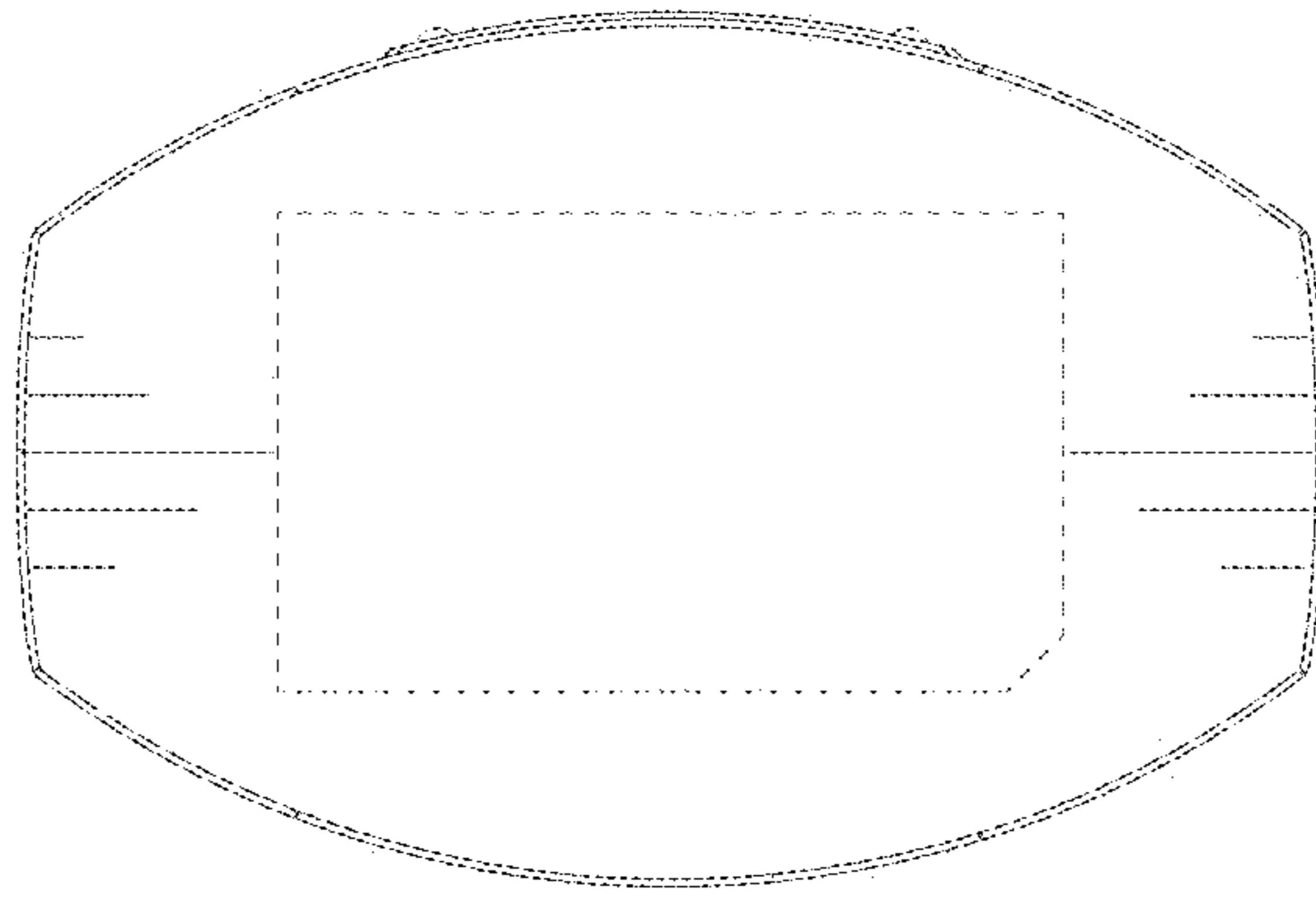


FIG. 6

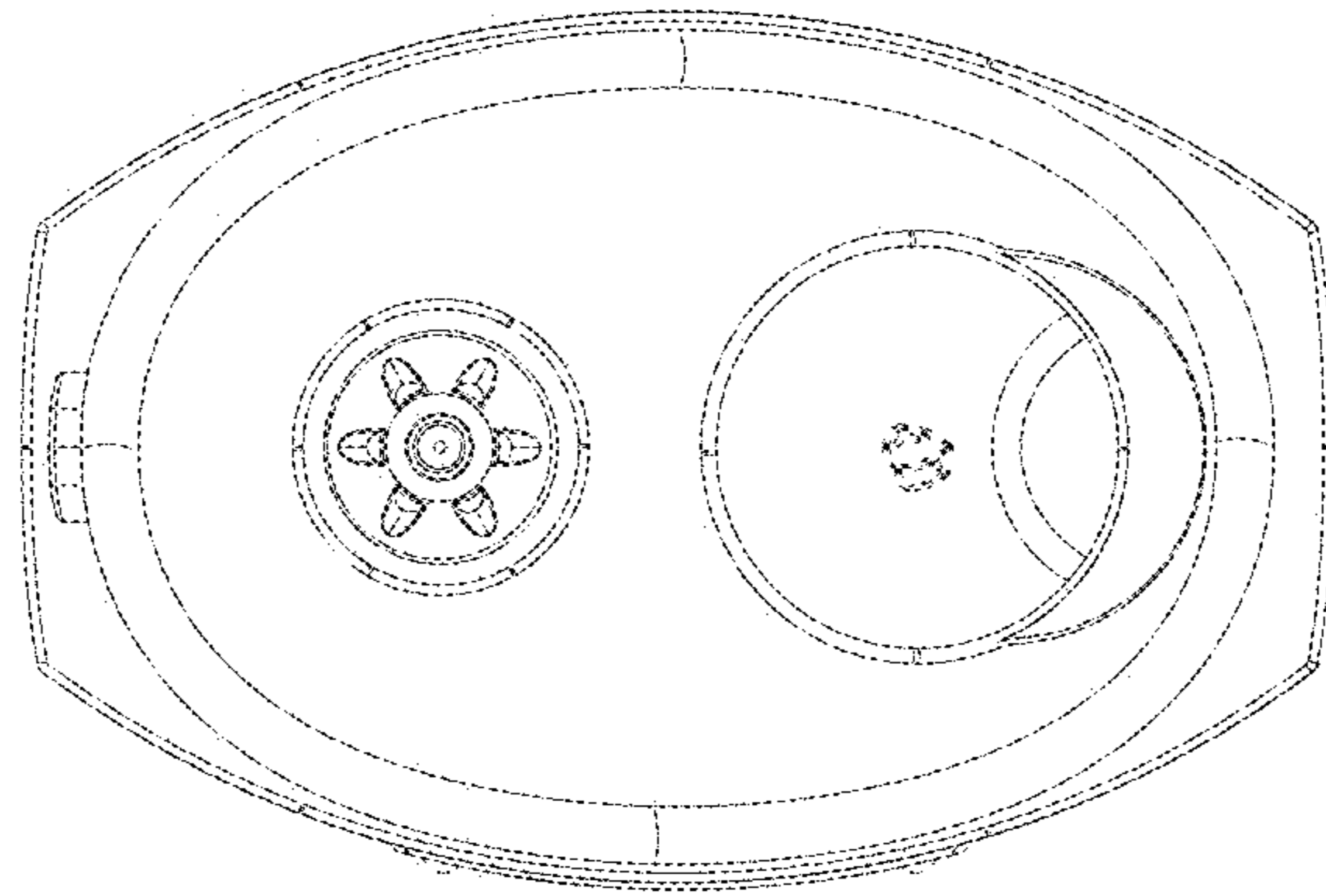


FIG. 7