



US00D980413S

(12) **United States Design Patent** (10) **Patent No.:** **US D980,413 S**
Barlow et al. (45) **Date of Patent:** **** Mar. 7, 2023**

(54) **PILLOWS CUSHION AND FRAME MODULE ASSEMBLY FOR PATIENT INTERFACE**

(71) Applicant: **ResMed Pty Ltd**, Bella Vista (AU)

(72) Inventors: **Adam Francis Barlow**, Sydney (AU);
Craig David Edwards, Sydney (AU);
Stephen Gray, Sydney (AU); **Rahul Khera**, Sydney (AU)

(73) Assignee: **ResMed Pty Ltd**, Bella Vista (AU)

(**) Term: **15 Years**

(21) Appl. No.: **29/784,148**

(22) Filed: **May 18, 2021**

Related U.S. Application Data

(62) Division of application No. 29/663,085, filed on Sep. 12, 2018, now Pat. No. Des. 942,615.

(51) **LOC (14) Cl.** **29-02**

(52) **U.S. Cl.**
USPC **D24/110.4**

(58) **Field of Classification Search**
USPC D24/110, 110.1, 110.4, 127
CPC A61M 16/0622; A61M 16/06; A61M 16/0616; A61M 16/0666; A61M 16/0683; A61M 16/0672

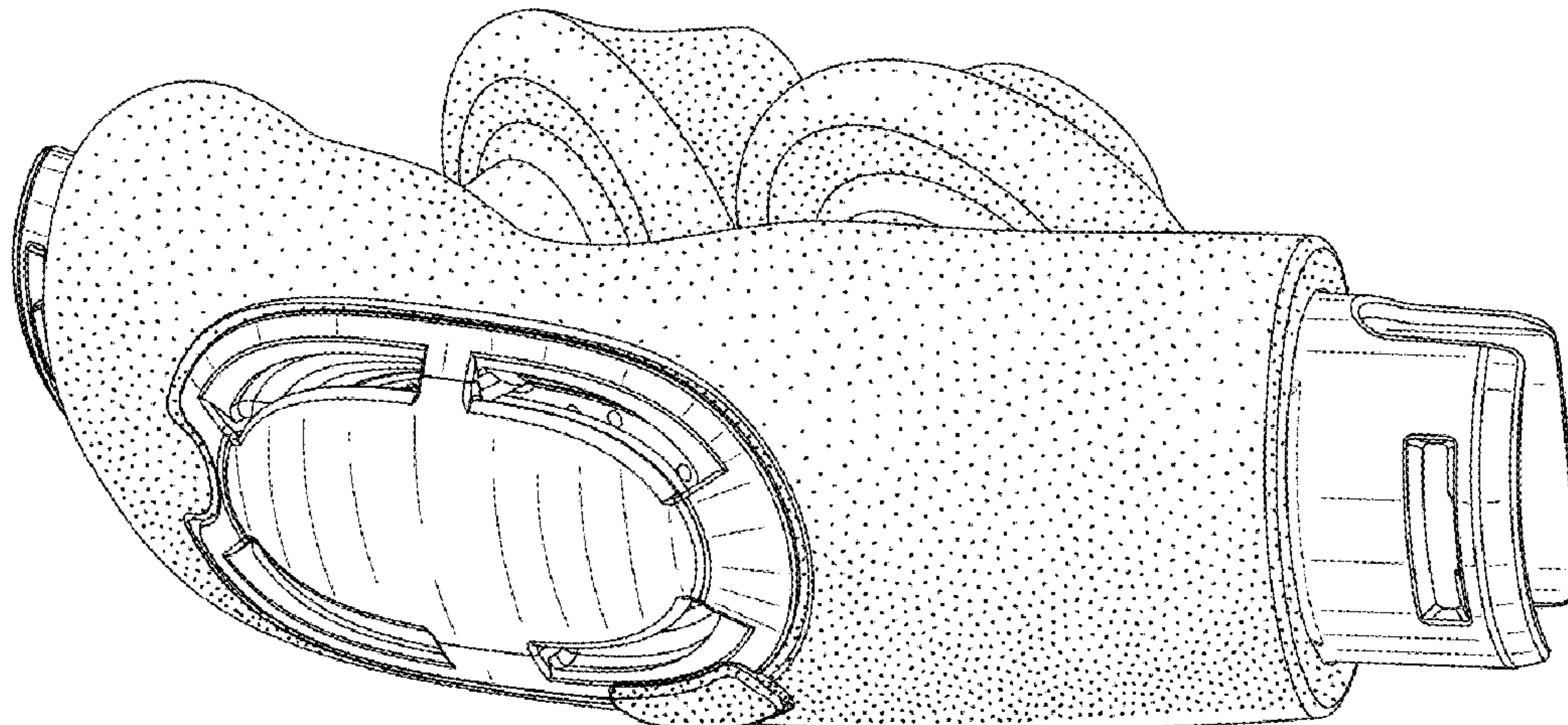
See application file for complete search history.

(56) **References Cited**

U.S. PATENT DOCUMENTS

- 3,513,844 A 5/1970 Smith
- 4,535,767 A 8/1985 Tiep et al.
- 4,878,491 A 11/1989 McGilvray, III
- 5,069,222 A 12/1991 McDonald, Jr.
- 5,269,296 A 12/1993 Landis
- 5,438,979 A 8/1995 Johnson, Jr. et al.
- 5,538,000 A 6/1996 Rudolph
- 5,687,715 A 11/1997 Landis
- 6,044,844 A 4/2000 Kwok et al.
- 6,478,026 B1 11/2002 Wood
- 6,595,215 B2 7/2003 Wood

- 6,679,265 B2 1/2004 Strickland et al.
- 7,080,645 B2 7/2006 Genger et al.
- 7,370,652 B2 5/2008 Matula, Jr. et al.
- 8,985,115 B2 3/2015 Baecke et al.
- D799,699 S 10/2017 Higgins
- 10,029,062 B2 7/2018 Kwok
- D829,322 S 9/2018 Eury
- D869,637 S 12/2019 Higgins
- D869,642 S 12/2019 Andrews
- D872,257 S 1/2020 Andrews
- D893,013 S 8/2020 Higgins
- 11,020,558 B2* 6/2021 Kwok A61M 16/0825
- D924,388 S* 7/2021 Blanch D24/110.4
- 11,090,455 B2* 8/2021 Gunaratnam A61M 16/08
- 11,090,456 B2* 8/2021 Hlopick A61M 16/0858
- 11,135,386 B2* 10/2021 Henry A61M 16/06
- 11,154,679 B2* 10/2021 Formica A61M 16/0057
- 11,202,877 B2* 12/2021 Judson A61M 16/0666
- D942,615 S* 2/2022 Barlow D24/110.4
- 11,338,103 B2* 5/2022 Blanch A61M 16/0683
- 2004/0025885 A1 2/2004 Payne, Jr.
- 2005/0205096 A1 9/2005 Matula, Jr. et al.
- 2006/0213521 A1 9/2006 Radney
- 2006/0231102 A1 10/2006 Bordewick et al.
- 2008/0060649 A1 3/2008 Veliss et al.
- 2009/0223518 A1 9/2009 Kwok
- 2010/0018534 A1 1/2010 Veliss et al.
- 2010/0313891 A1 12/2010 Veliss et al.
- 2011/0247619 A1 10/2011 Formica et al.
- 2012/0325219 A1 12/2012 Smith
- 2014/0311492 A1 10/2014 Stuebiger
- 2015/0083136 A1 3/2015 Koninklijke
- 2015/0182719 A1 7/2015 Grashow et al.
- 2015/0352306 A1 12/2015 Scheiner et al.
- 2016/0082214 A1 3/2016 Barlow et al.
- 2016/0296720 A1 10/2016 Henry et al.
- 2017/0224944 A1 8/2017 Gunaratnam et al.
- 2017/0291004 A1 10/2017 Ng et al.
- 2017/0312468 A1 11/2017 Formica et al.
- 2018/0099113 A1 4/2018 Bell
- 2018/0140795 A1 5/2018 Wells et al.
- 2018/0147382 A1 5/2018 Hlopick
- 2018/0264218 A1 9/2018 Chodkowski
- 2019/0091428 A1 3/2019 Chodkowski
- 2019/0388639 A1 12/2019 Grashow
- 2020/0046933 A1 2/2020 Himes
- 2020/0078545 A1 3/2020 Haibach
- 2020/0384229 A1 12/2020 Lashinsky
- 2021/0030990 A1 2/2021 Klinkenberg
- 2021/0178102 A1* 6/2021 Chodkowski A61M 16/0644
- 2021/0213218 A1* 7/2021 Barlow A61M 16/08



2021/0386953 A1* 12/2021 Gunaratnam A61M 16/0633
 2022/0080148 A1* 3/2022 Judson A61M 16/0666
 2022/0296837 A1* 9/2022 Law A61M 16/0622

FOREIGN PATENT DOCUMENTS

WO WO 2005/076874 A2 8/2005
 WO WO 2005/086943 A2 9/2005
 WO WO 2005/099801 A1 10/2005
 WO WO 2007/028877 A2 3/2007
 WO WO 2008/011682 A1 1/2008
 WO WO 2008/011683 A1 1/2008
 WO WO 2009/139647 A1 11/2009
 WO WO 2010/131189 A1 11/2010
 WO WO 2011/110962 A1 9/2011
 WO WO 2012/061783 A1 5/2012
 WO WO 2014/013371 A1 1/2014
 WO WO 2015/196255 A1 12/2015
 WO WO 2016/032343 A1 3/2016
 WO WO 2016/149769 A2 9/2016
 WO WO 2016/193859 A1 12/2016
 WO WO 2017/124152 A1 7/2017
 WO WO 2017/185140 A1 11/2017
 WO WO 2018/176094 A1 10/2018

OTHER PUBLICATIONS

Kooij et al., U.S. Appl. No. 16/069,308, filed Jul. 11, 2018, entitled "Adjustable Headgear Tubing for a Patient Interface".
 Blanch et al., U.S. Appl. No. 29/656,011, filed Jul. 10, 2018, entitled "Patient Interface".
 Blanch et al., U.S. Appl. No. 29/656,022, filed Jul. 10, 2018, entitled "Patient Interface and/or Components Thereof".
 Klinkenberg, Luke Emmanuel, U.S. Appl. No. 62/625,571, filed Feb. 2, 2018, entitled "Connector Assembly".
 Blanch et al., U.S. Appl. No. 62/764,995, filed Aug. 20, 2018, entitled "Headgear for a Patient Interface".
 Davidson et al., U.S. Appl. No. 62/764,992, filed Aug. 20, 2018, entitled "Patient Interface".
 Barlow et al., U.S. Appl. No. 29/663,085, filed Sep. 12, 2018, entitled "Patient Interface and/or Components Thereof," (parent application).

* cited by examiner

Primary Examiner — Mary Shannon Malley
Assistant Examiner — Lee D. Starr
 (74) *Attorney, Agent, or Firm* — Nixon & Vanderhye P.C.

(57) **CLAIM**

The ornamental design for a pillows cushion and frame module assembly for patient interface, as shown and described.

DESCRIPTION

FIG. 1 is a front perspective view of a pillows cushion and frame module assembly for patient interface showing a first embodiment of our new design;
 FIG. 2 is an enlarged perspective view of the pillows cushion and frame module shown in isolation;
 FIG. 3 is a front view thereof;
 FIG. 4 is a rear view thereof;
 FIG. 5 is a top view thereof;
 FIG. 6 is a bottom view thereof;
 FIG. 7 is a left side view thereof;
 FIG. 8 is a right side view thereof;
 FIG. 9 is a front perspective view of a pillows cushion and frame module assembly for patient interface showing a second embodiment of our new design;

FIG. 10 is a front view thereof;
 FIG. 11 is a rear view thereof;
 FIG. 12 is a top view thereof;
 FIG. 13 is a bottom view thereof;
 FIG. 14 is a left side view thereof;
 FIG. 15 is a right side view thereof;
 FIG. 16 is a front perspective view of a pillows cushion and frame module assembly for patient interface showing a third embodiment of our new design;
 FIG. 17 is a front view thereof;
 FIG. 18 is a rear view thereof;
 FIG. 19 is a top view thereof;
 FIG. 20 is a bottom view thereof;
 FIG. 21 is a left side view thereof;
 FIG. 22 is a right side view thereof;
 FIG. 23 is a front perspective view of a pillows cushion and frame module assembly for patient interface showing a fourth embodiment of our new design;
 FIG. 24 is a front view thereof;
 FIG. 25 is a rear view thereof;
 FIG. 26 is a top view thereof;
 FIG. 27 is a bottom view thereof;
 FIG. 28 is a left side view thereof;
 FIG. 29 is a right side view thereof;
 FIG. 30 is a front perspective view of a pillows cushion and frame module assembly for patient interface showing a fifth embodiment of our new design;
 FIG. 31 is an enlarged perspective view of the pillows cushion and frame module shown in isolation;
 FIG. 32 is a front view thereof;
 FIG. 33 is a rear view thereof;
 FIG. 34 is a top view thereof;
 FIG. 35 is a bottom view thereof;
 FIG. 36 is a left side view thereof;
 FIG. 37 is a right side view thereof;
 FIG. 38 is a front perspective view of a pillows cushion and frame module assembly for patient interface showing a sixth embodiment of our new design;
 FIG. 39 is a front view thereof;
 FIG. 40 is a rear view thereof;
 FIG. 41 is a top view thereof;
 FIG. 42 is a bottom view thereof;
 FIG. 43 is a left side view thereof;
 FIG. 44 is a right side view thereof;
 FIG. 45 is a front perspective view of a pillows cushion and frame module assembly for patient interface showing a seventh embodiment of our new design;
 FIG. 46 is a front view thereof;
 FIG. 47 is a rear view thereof;
 FIG. 48 is a top view thereof;
 FIG. 49 is a bottom view thereof;
 FIG. 50 is a left side view thereof;
 FIG. 51 is a right side view thereof;
 FIG. 52 is a front perspective view of a pillows cushion and frame module assembly for patient interface showing an eighth embodiment of our new design;
 FIG. 53 is a front view thereof;
 FIG. 54 is a rear view thereof;
 FIG. 55 is a top view thereof;
 FIG. 56 is a bottom view thereof;
 FIG. 57 is a left side view thereof; and
 FIG. 58 is a right side view thereof.
 The broken lines in FIGS. 1 and 30 illustrating a person and headgear depict environmental subject matter and form no part of the claimed design. All other broken lines depict

portions of the pillows cushion and frame module assembly for patient interface that form no part of the claimed design. Line shading and stippling in FIGS. 1-29 have been used to indicate a contrast in appearance.

1 Claim, 34 Drawing Sheets

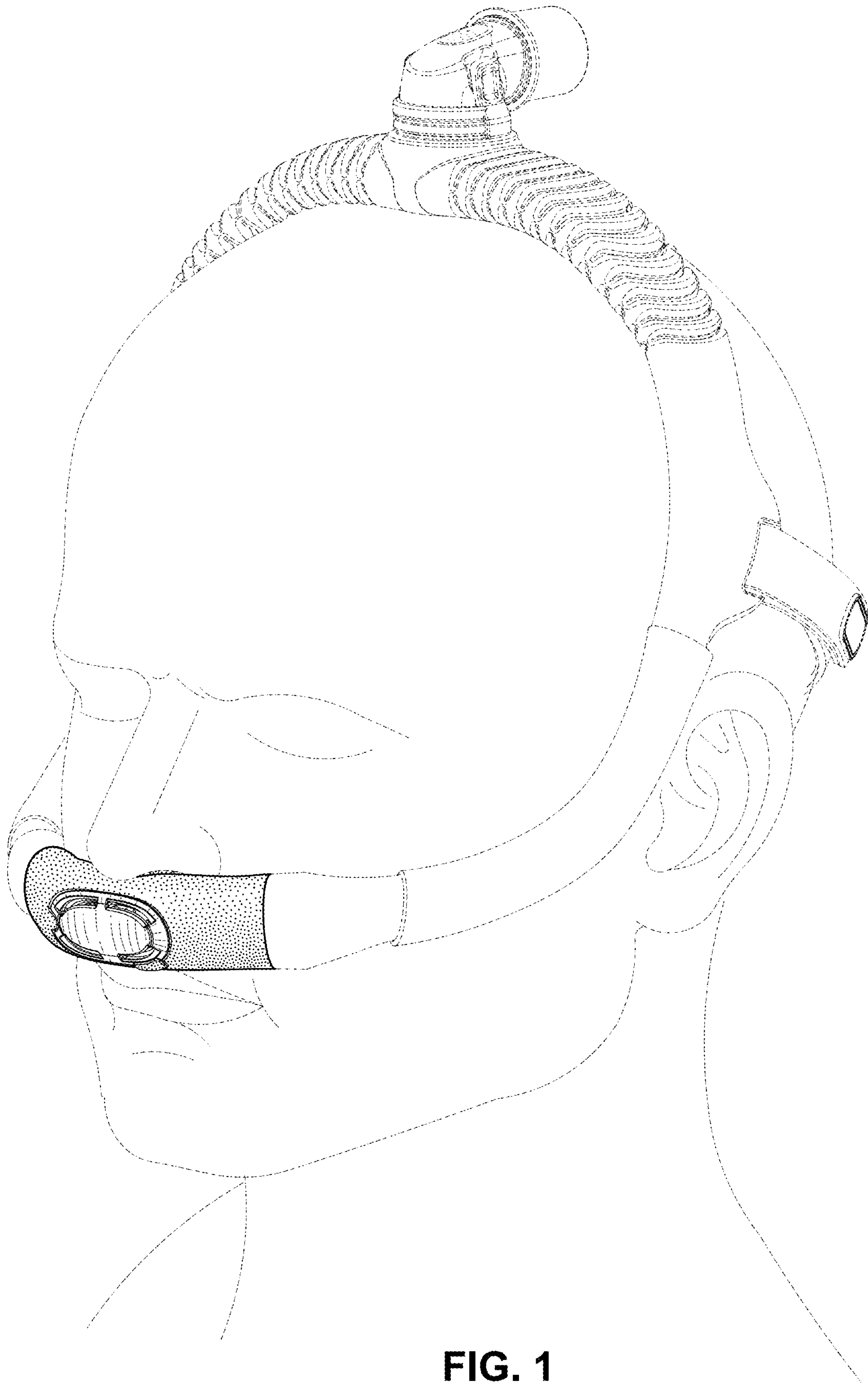


FIG. 1

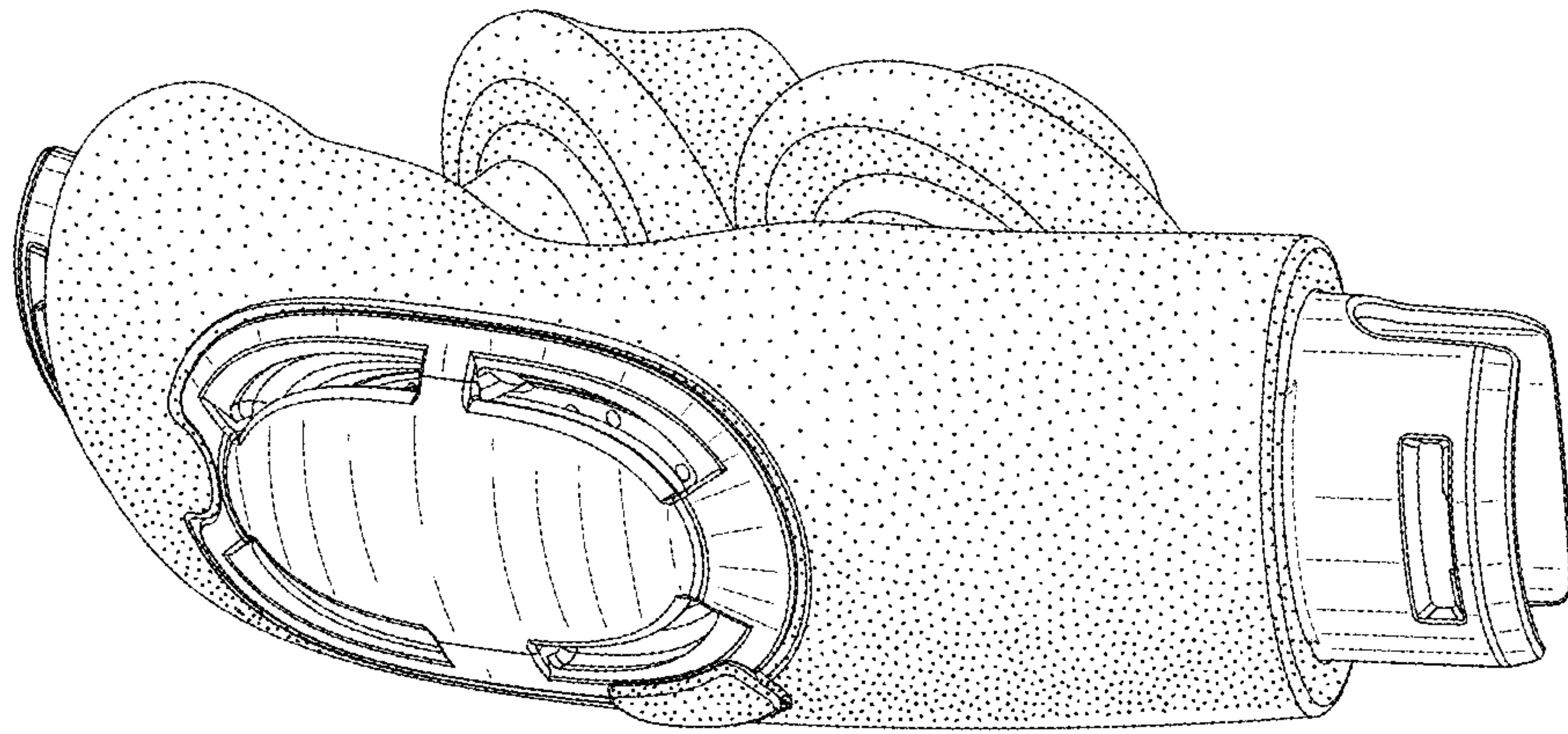


FIG. 2

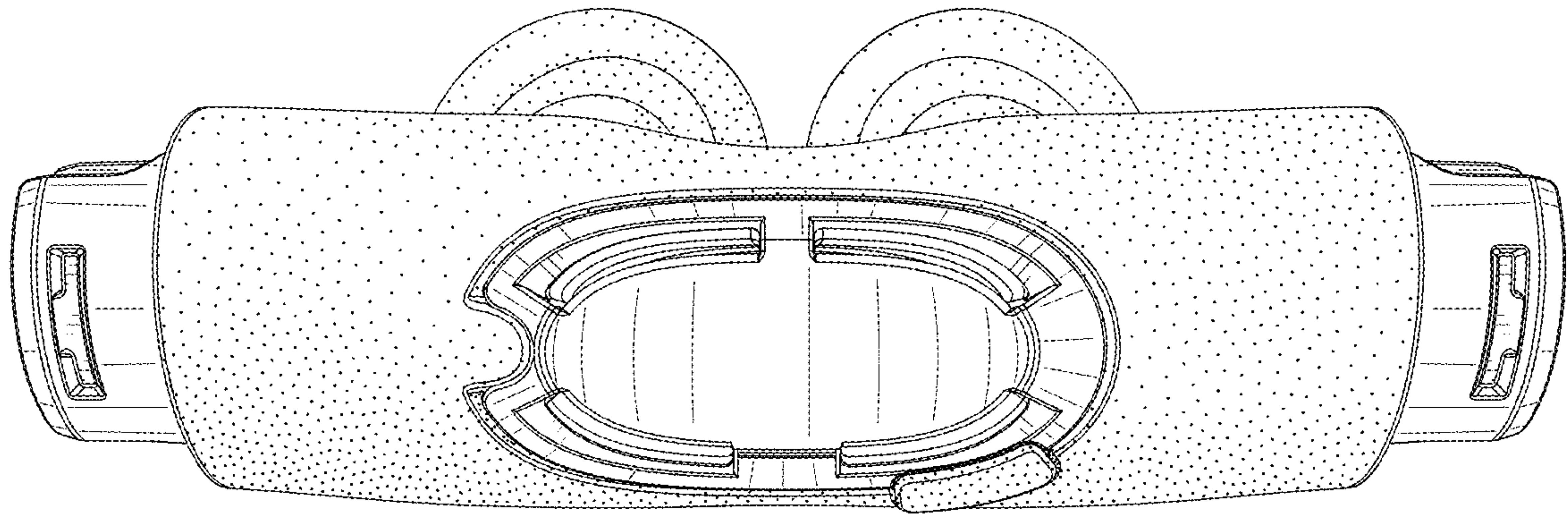


FIG. 3

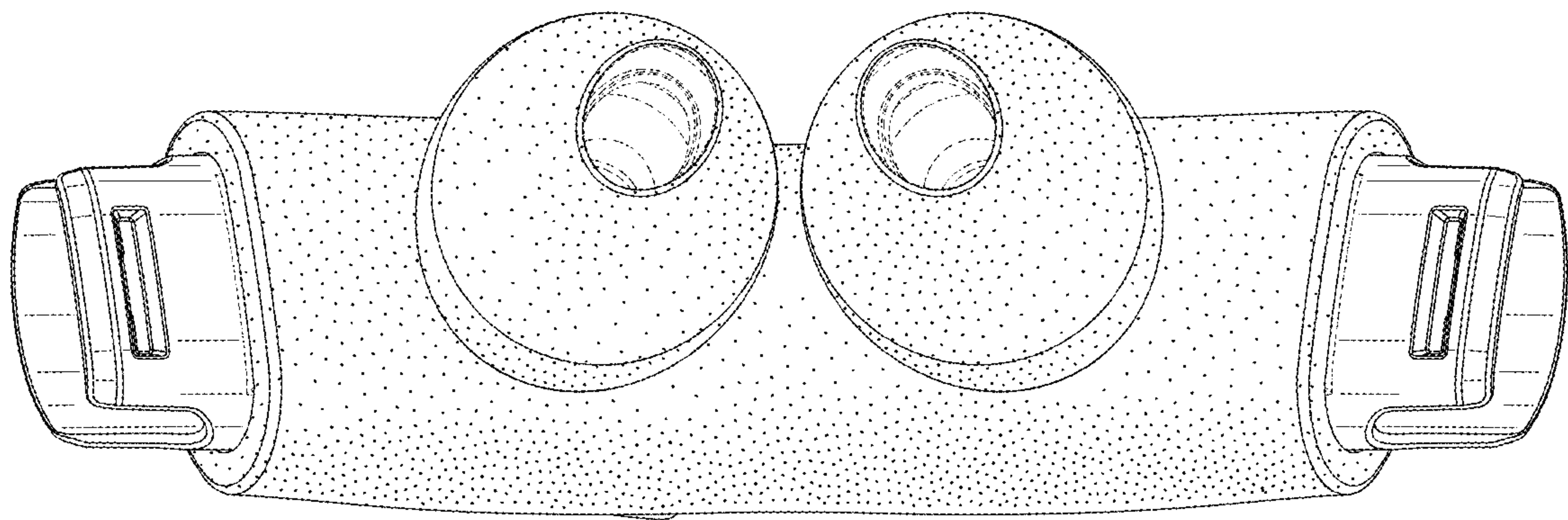


FIG. 4

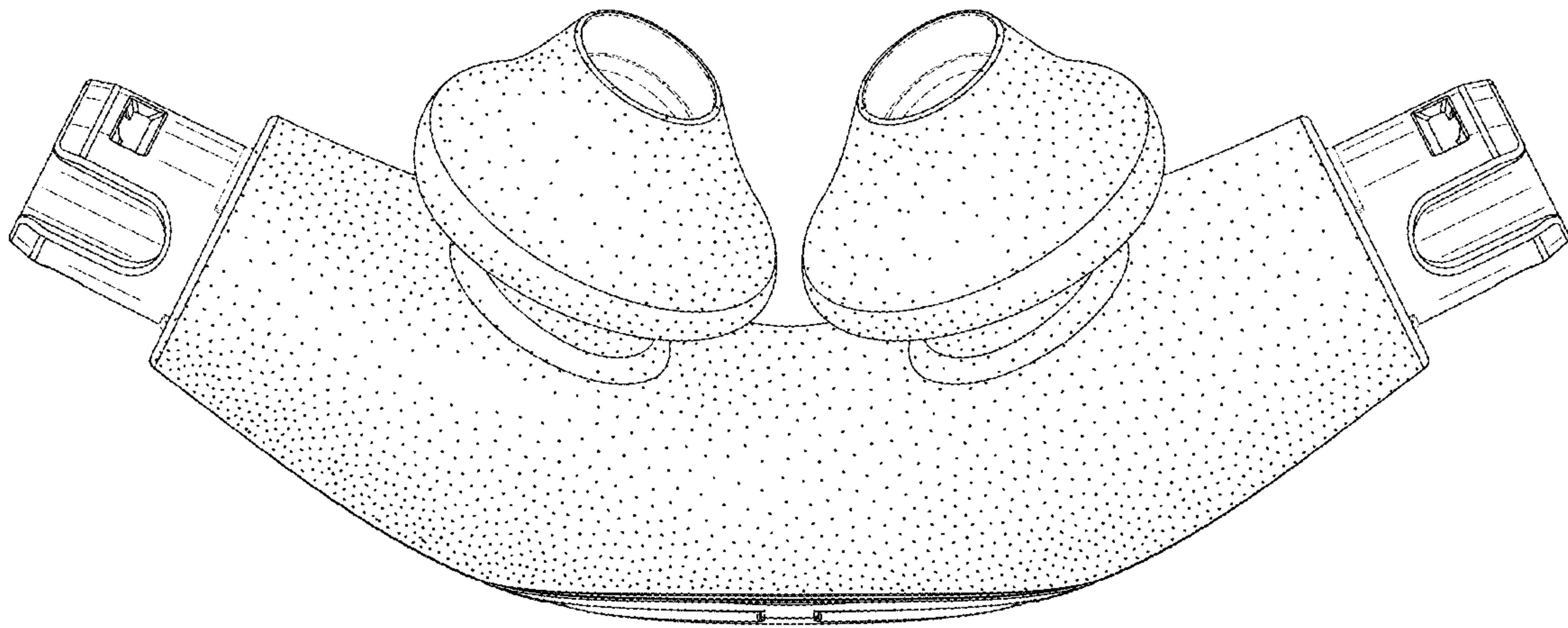


FIG. 5

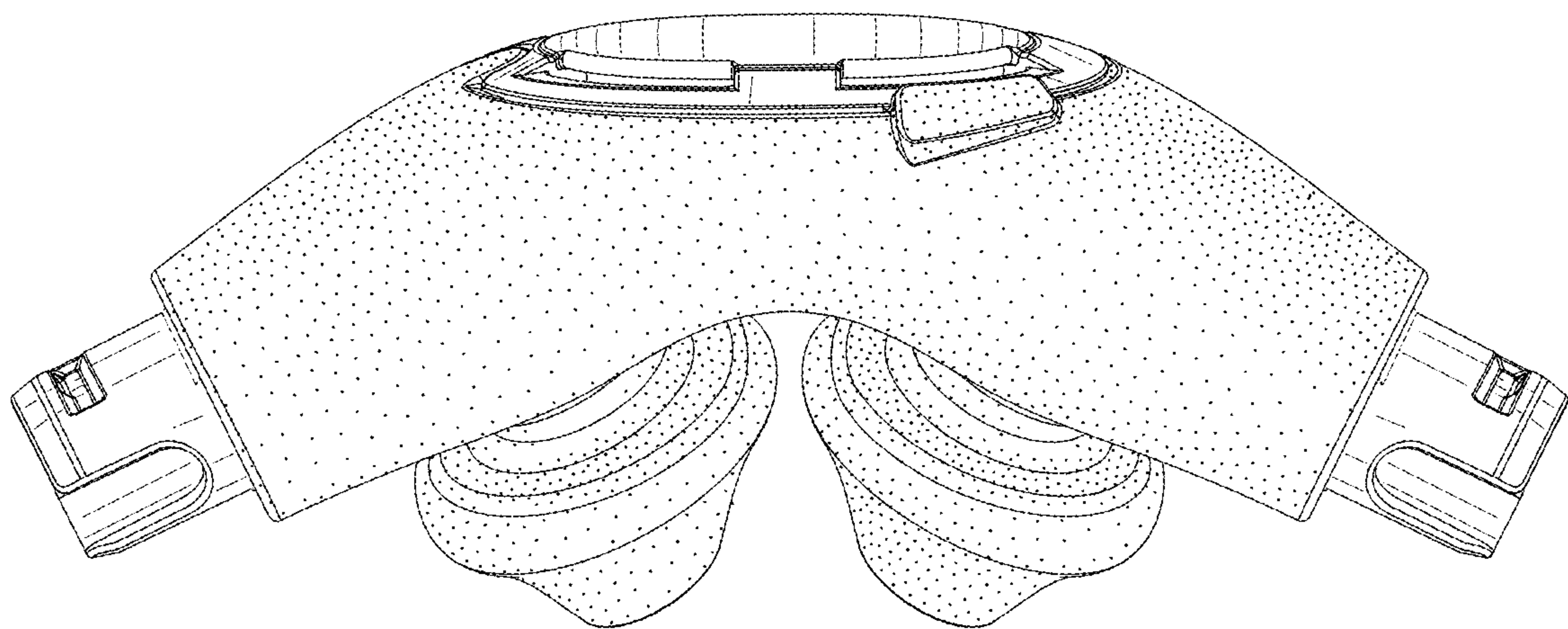


FIG. 6

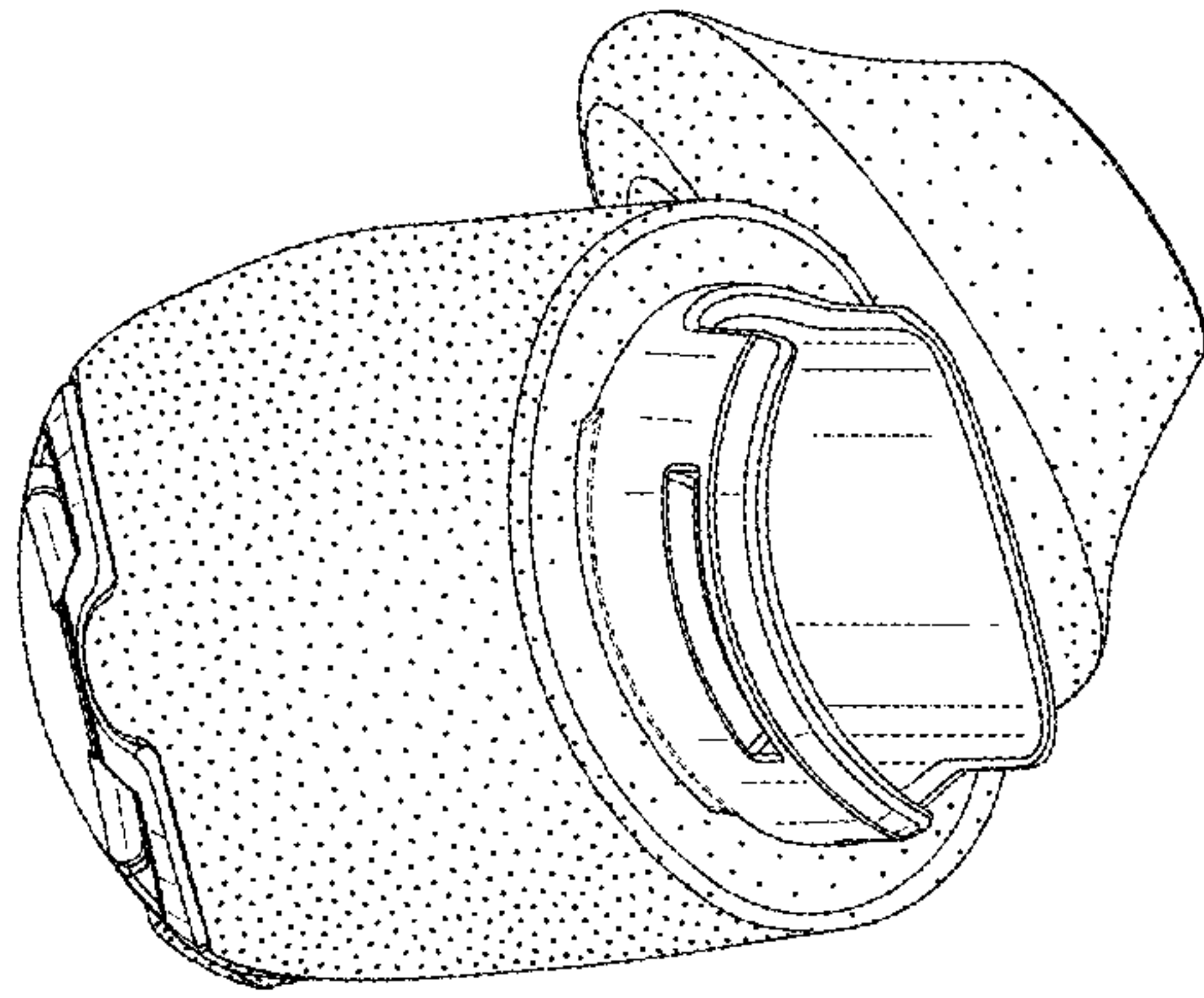


FIG. 7

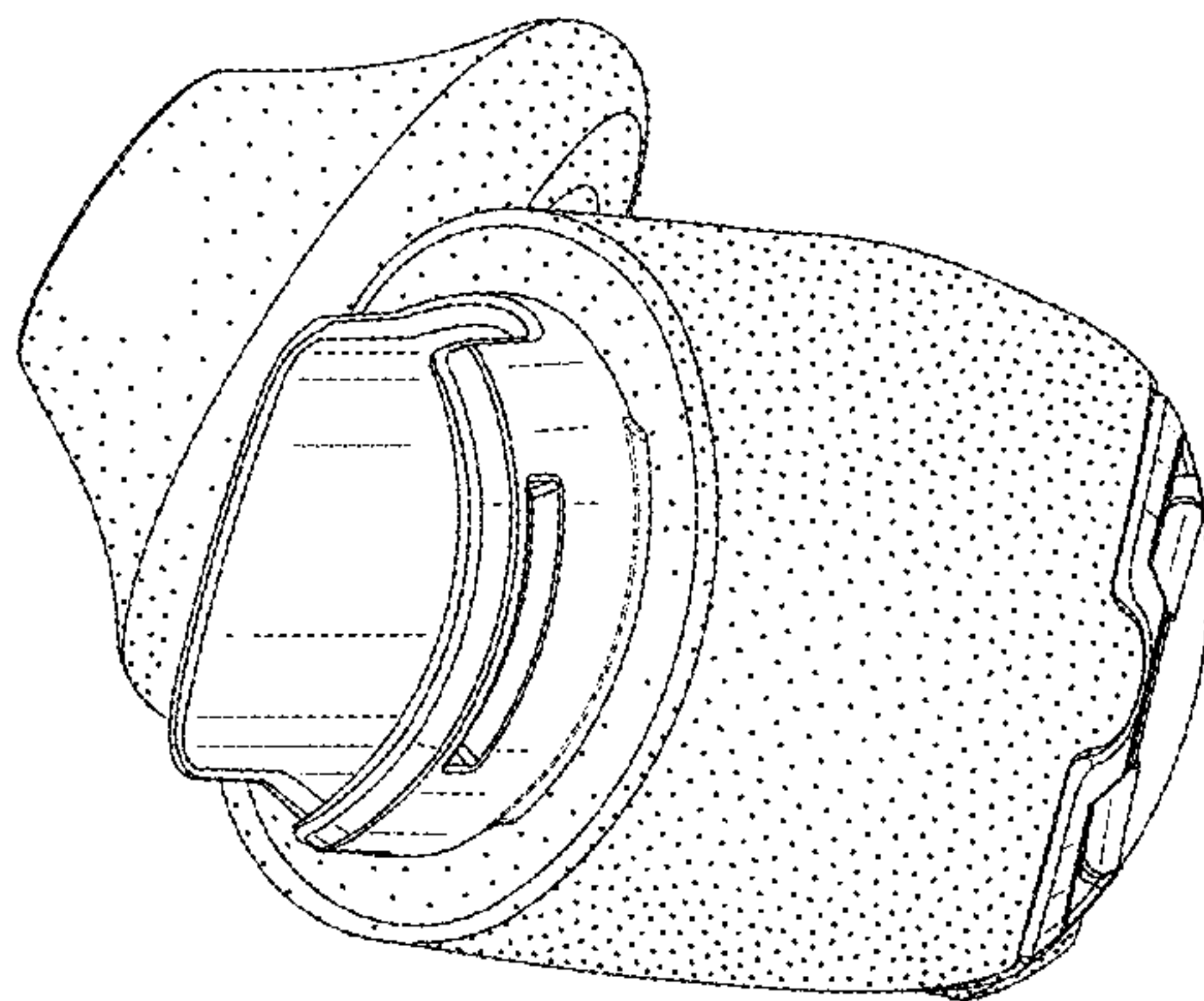


FIG. 8

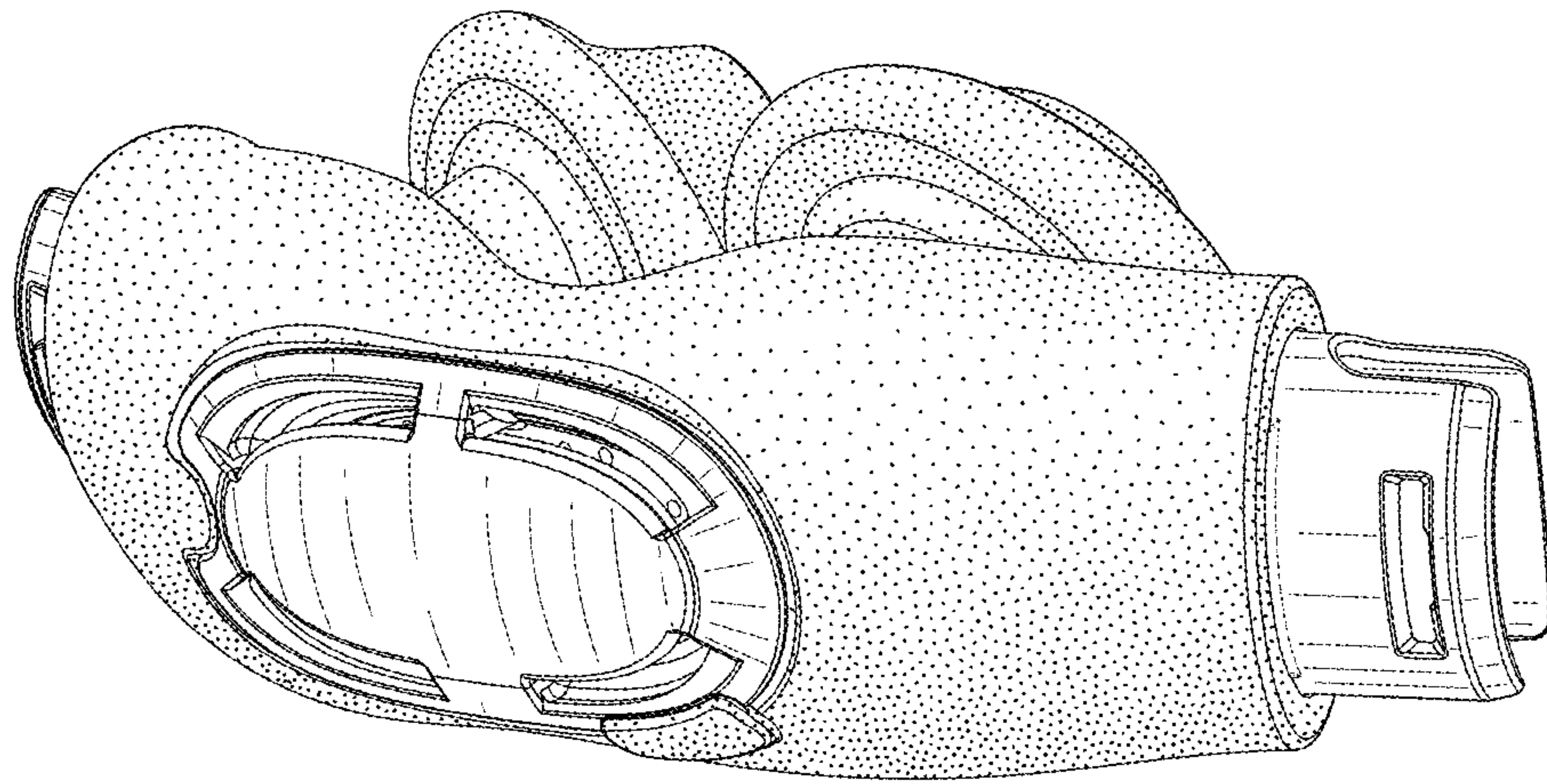


FIG. 9

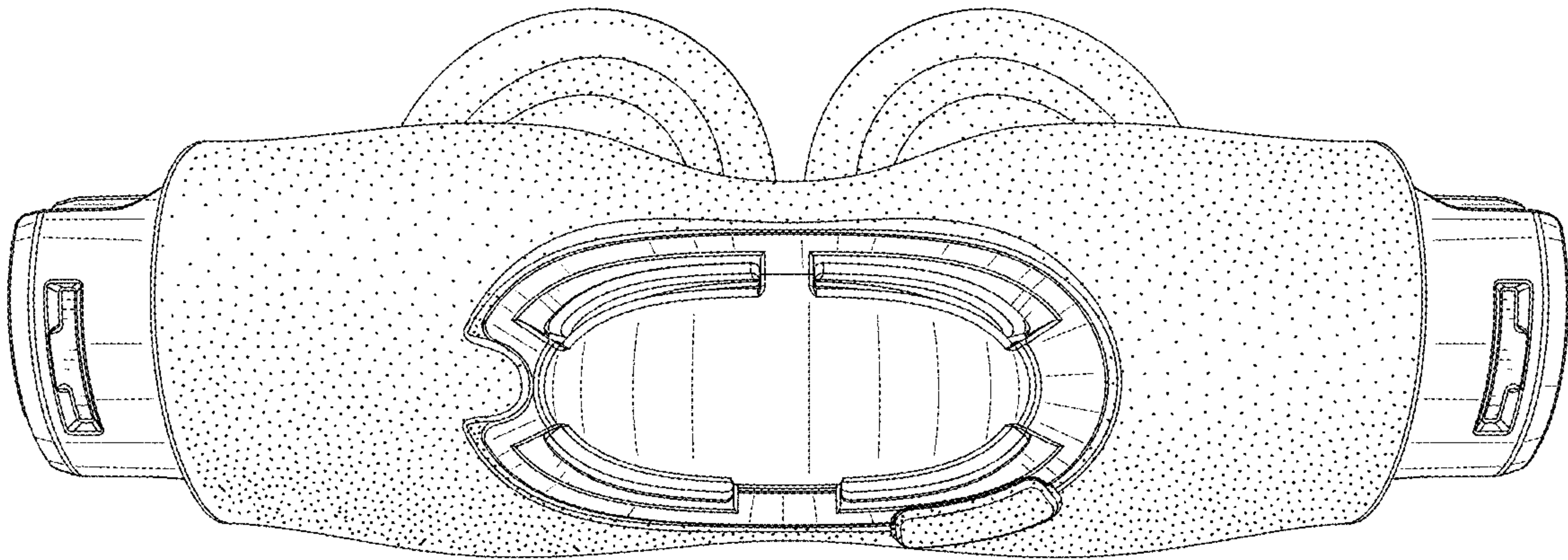


FIG. 10

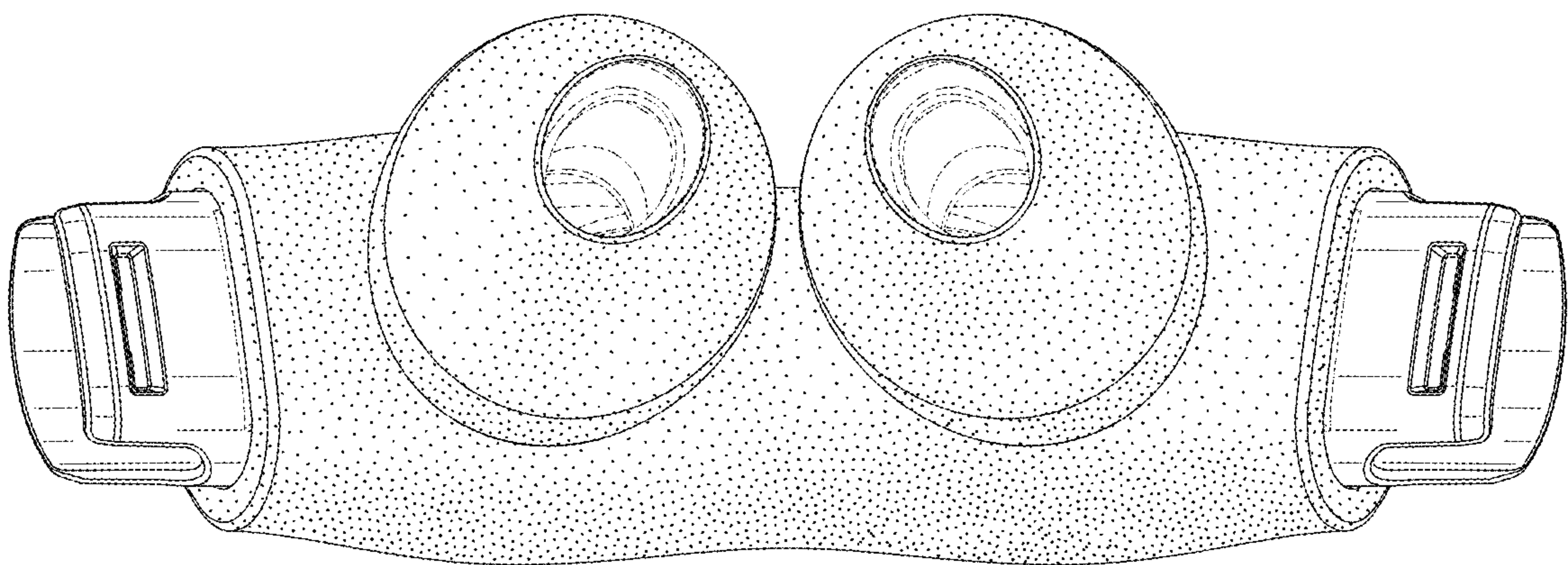


FIG. 11

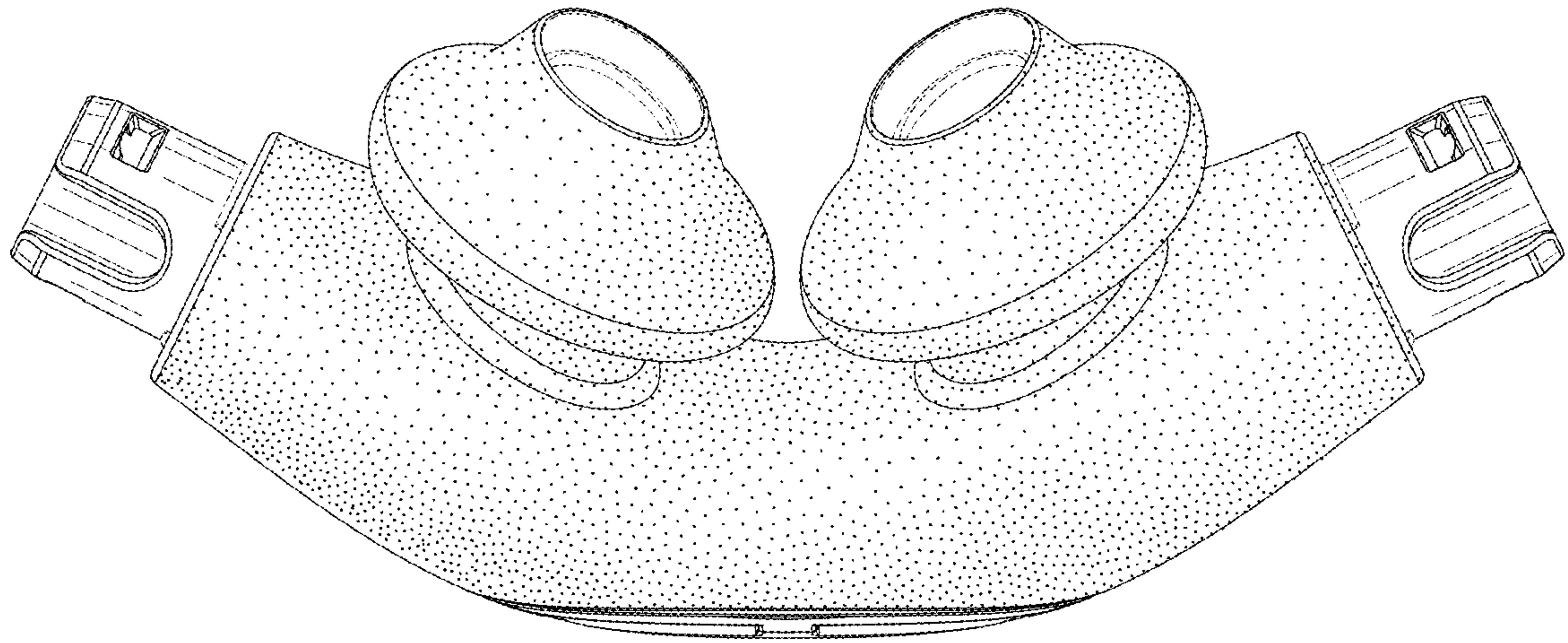


FIG. 12

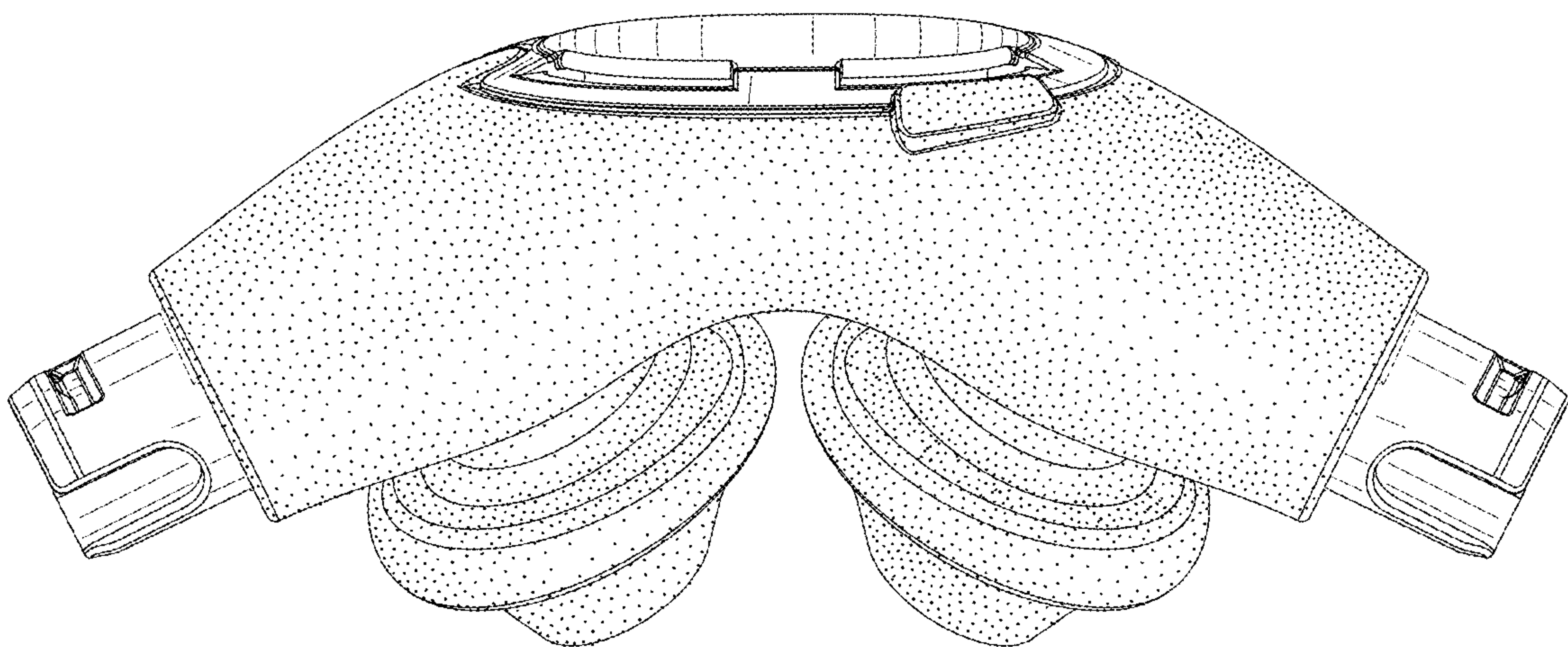


FIG. 13

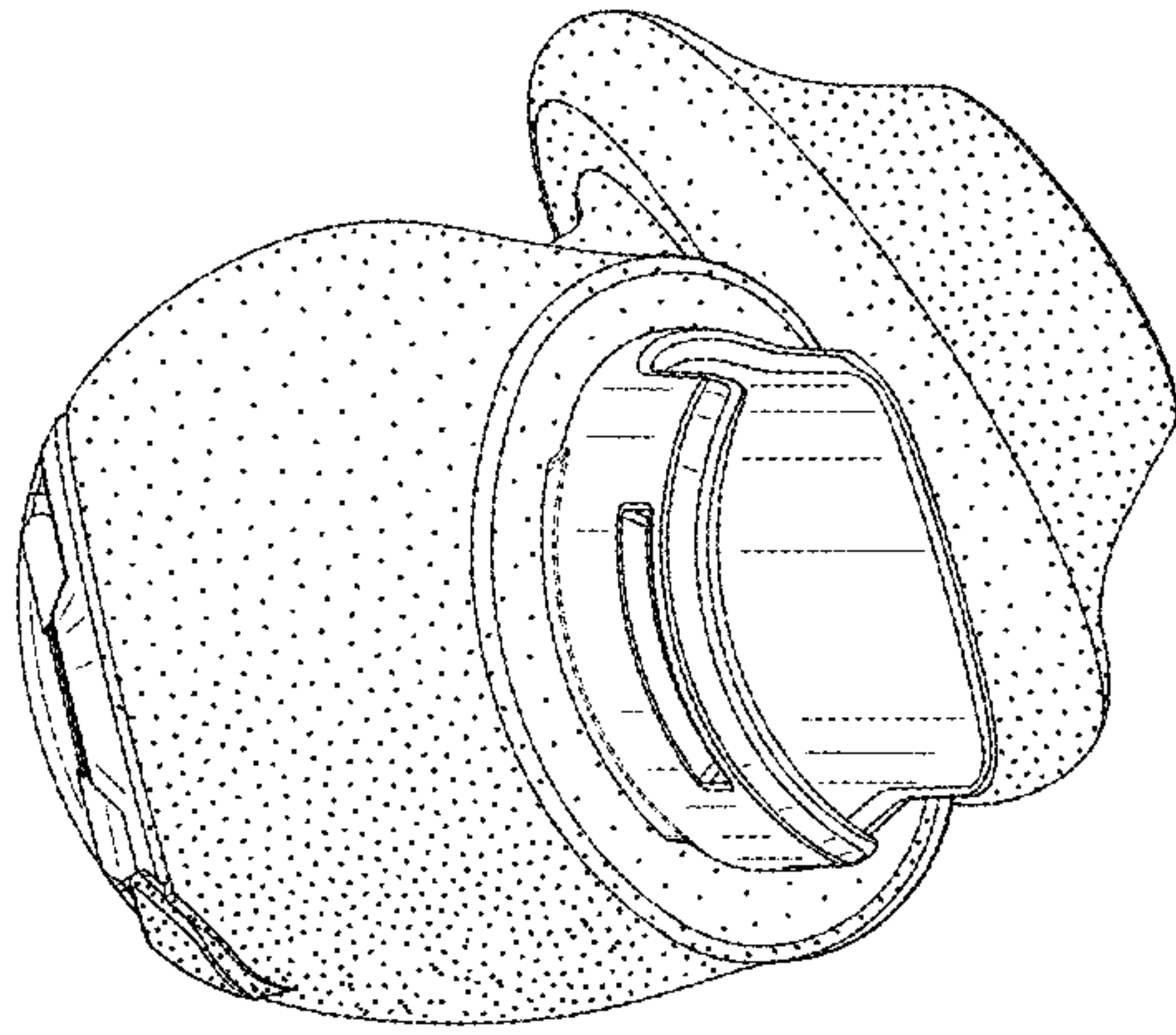


FIG. 14

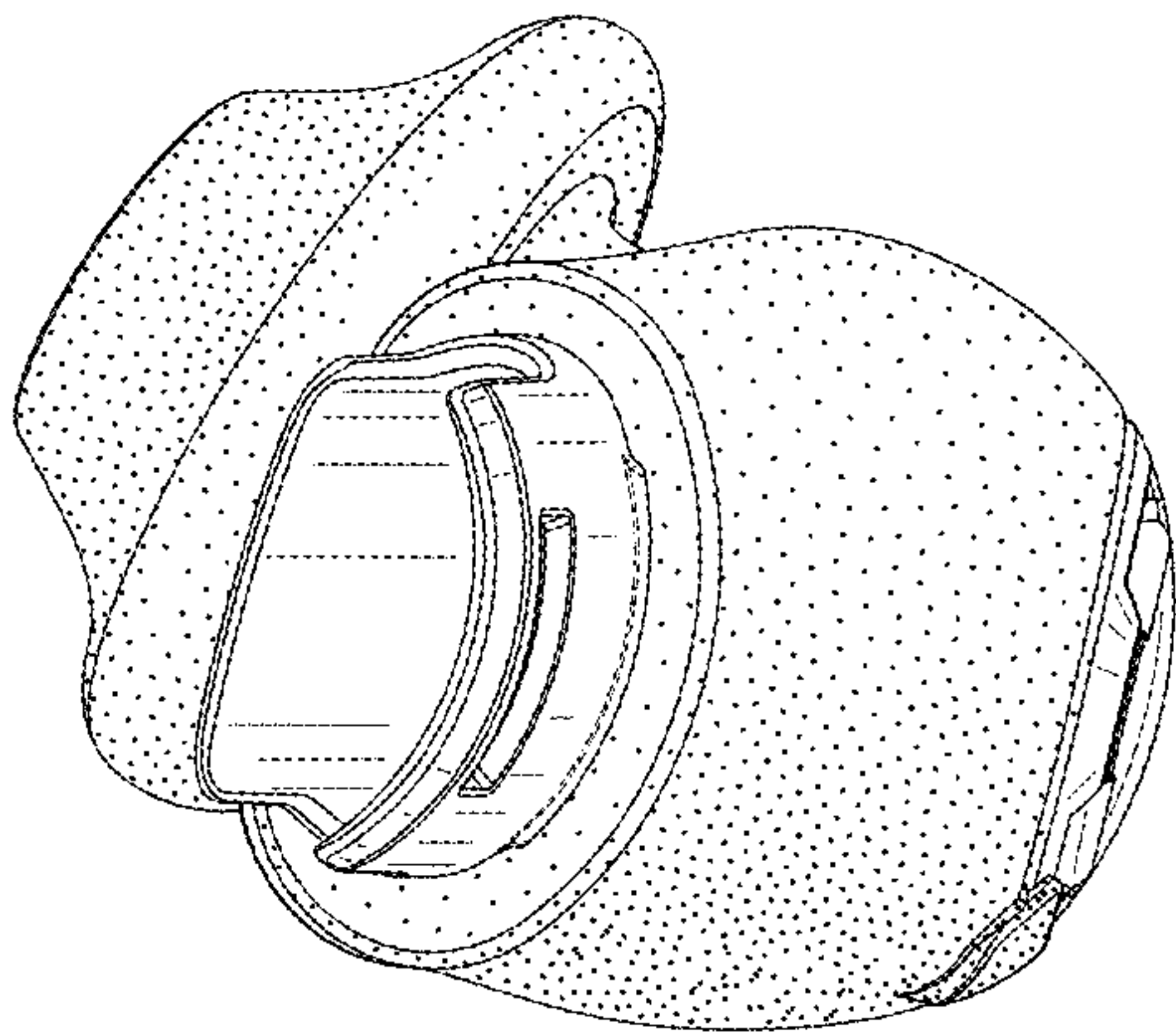


FIG. 15

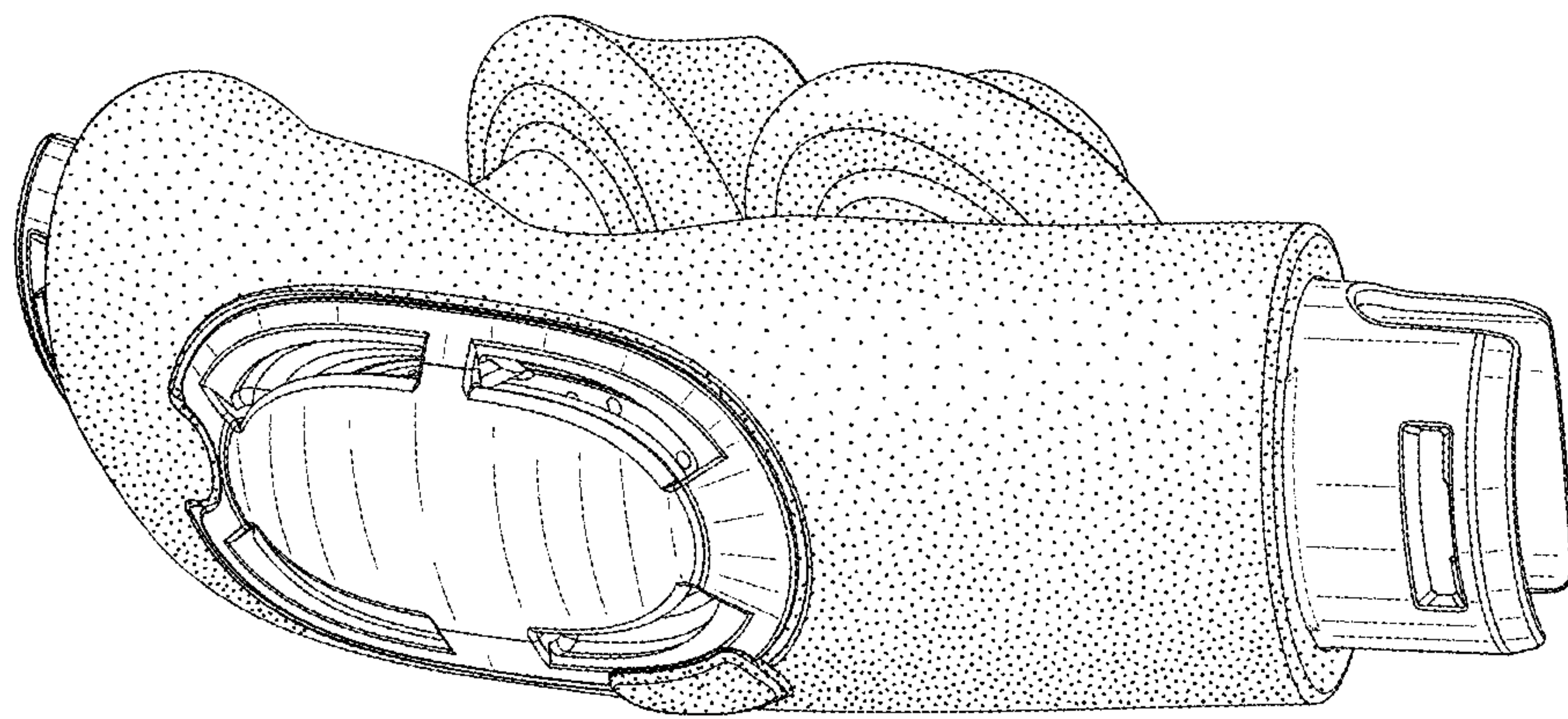


FIG. 16

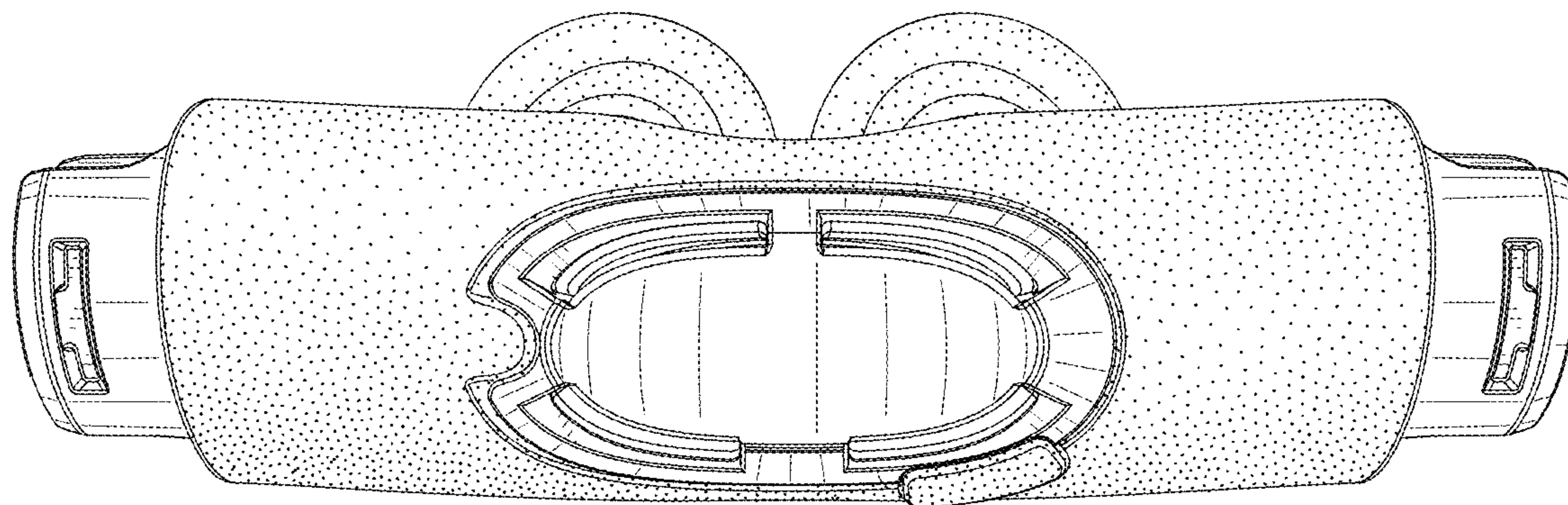


FIG. 17

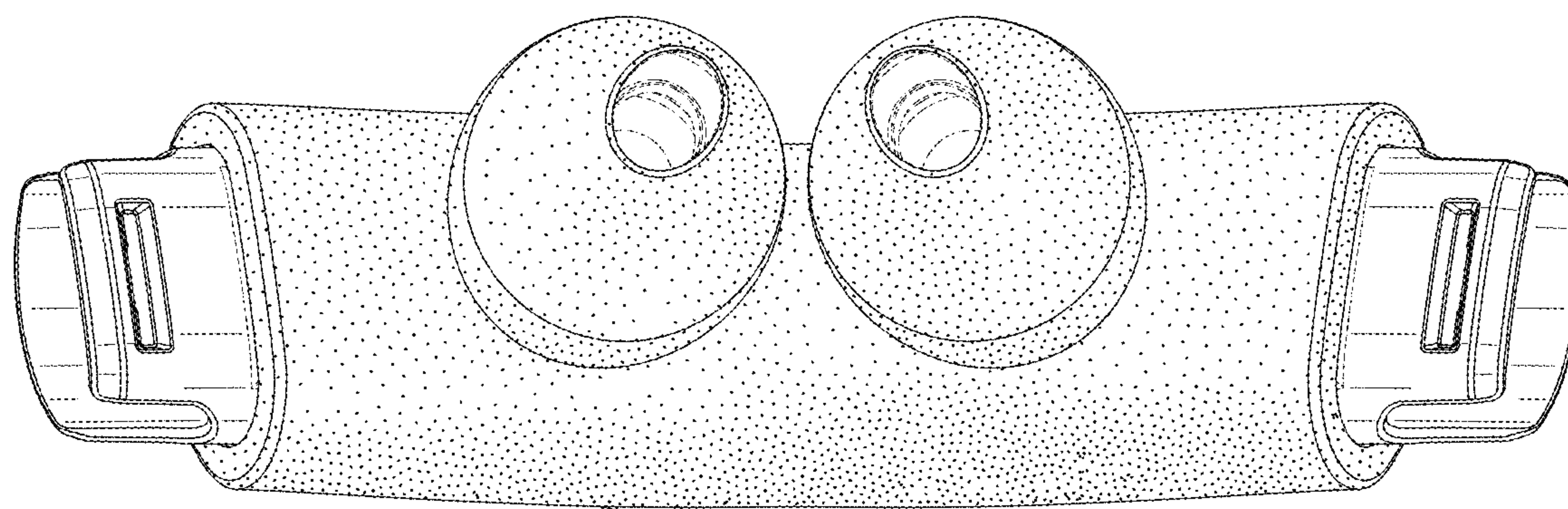


FIG. 18

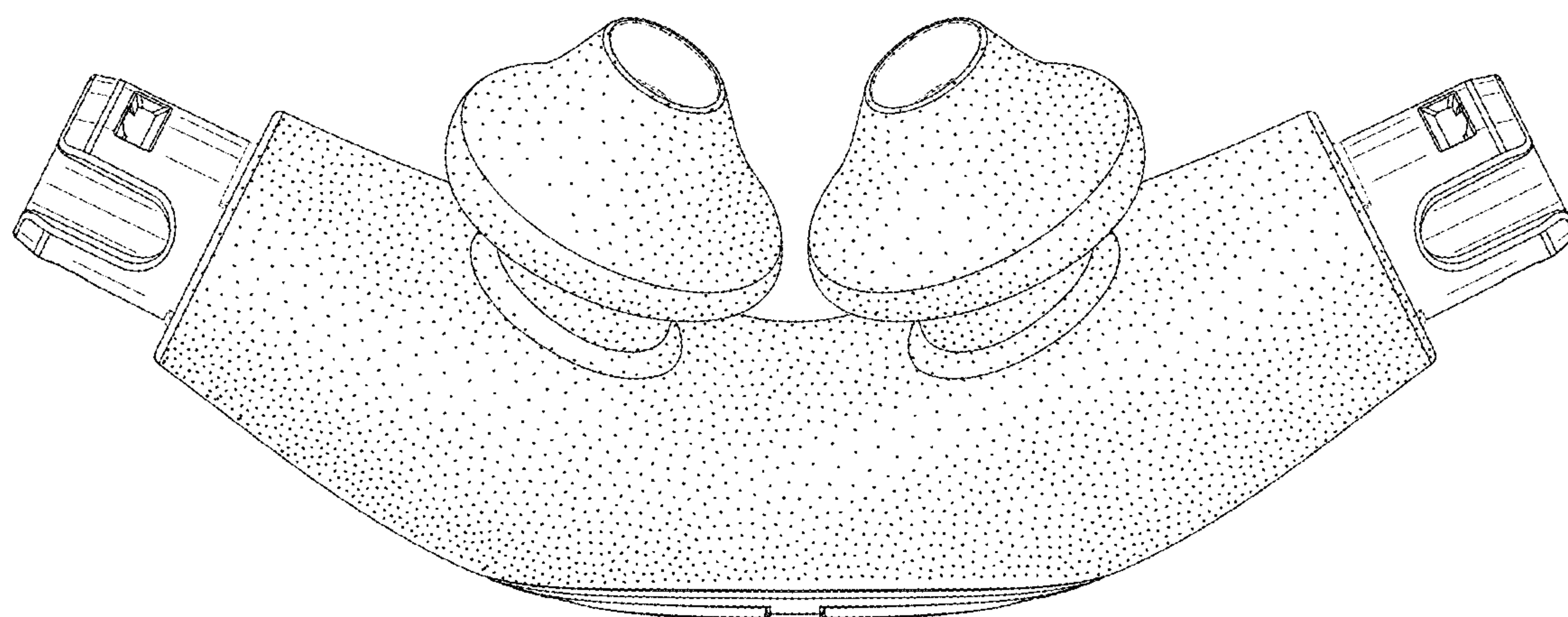


FIG. 19

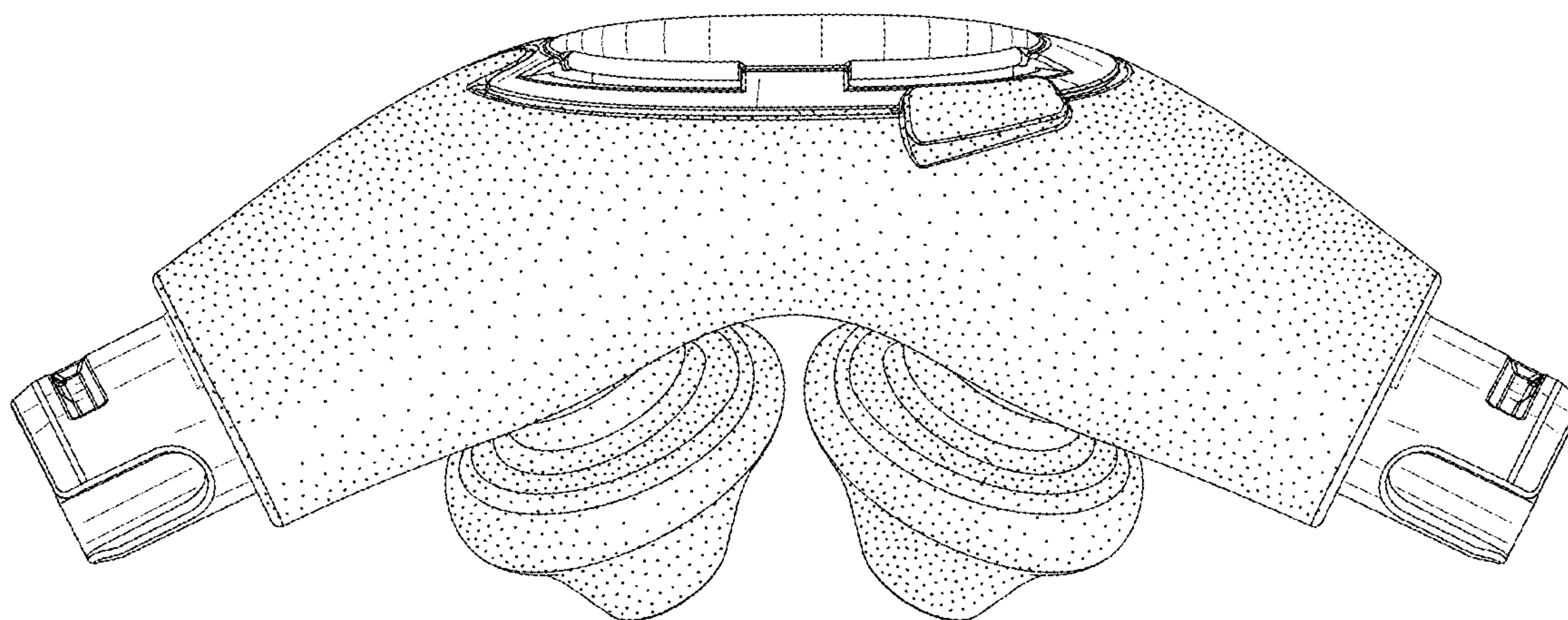


FIG. 20

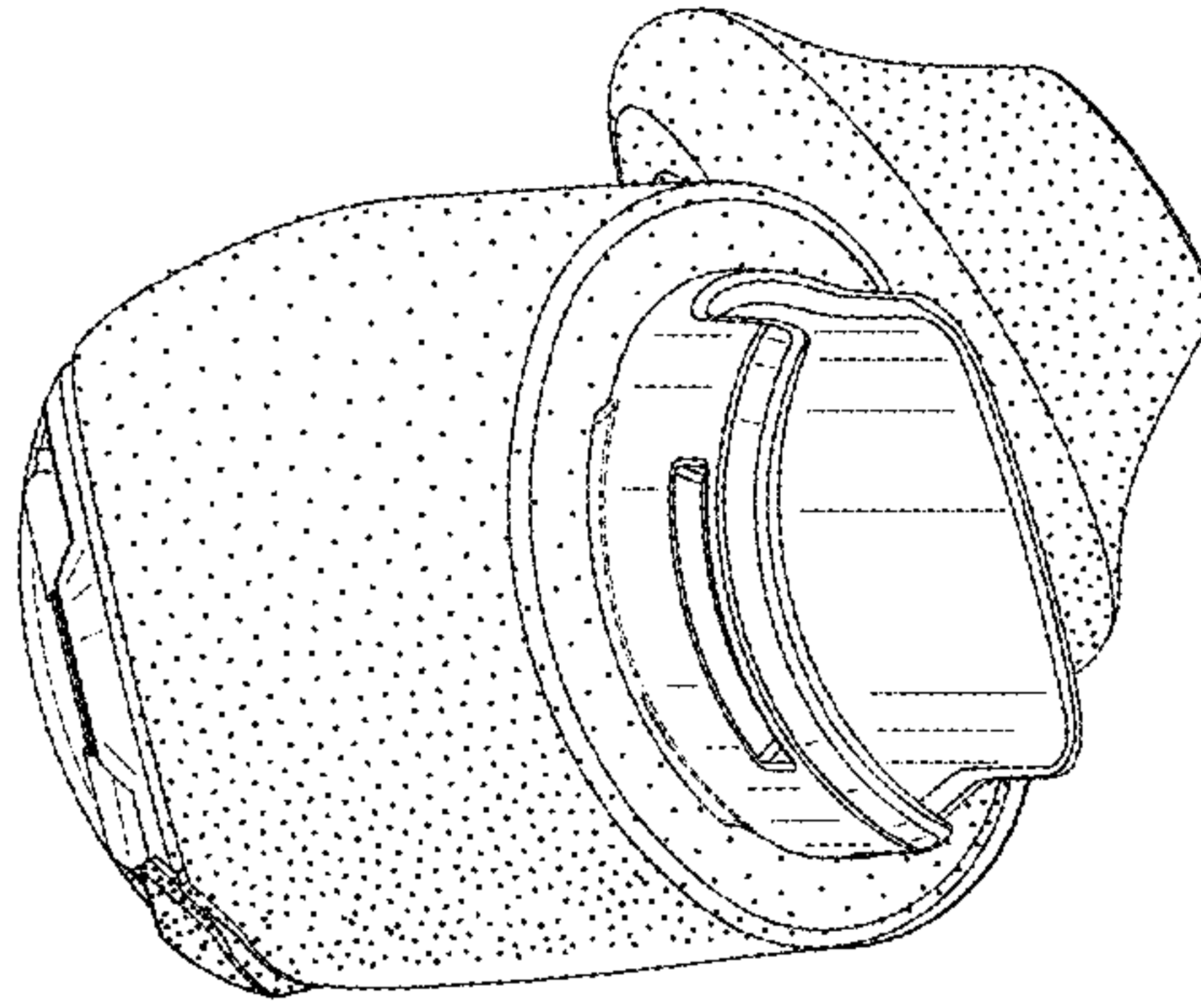


FIG. 21

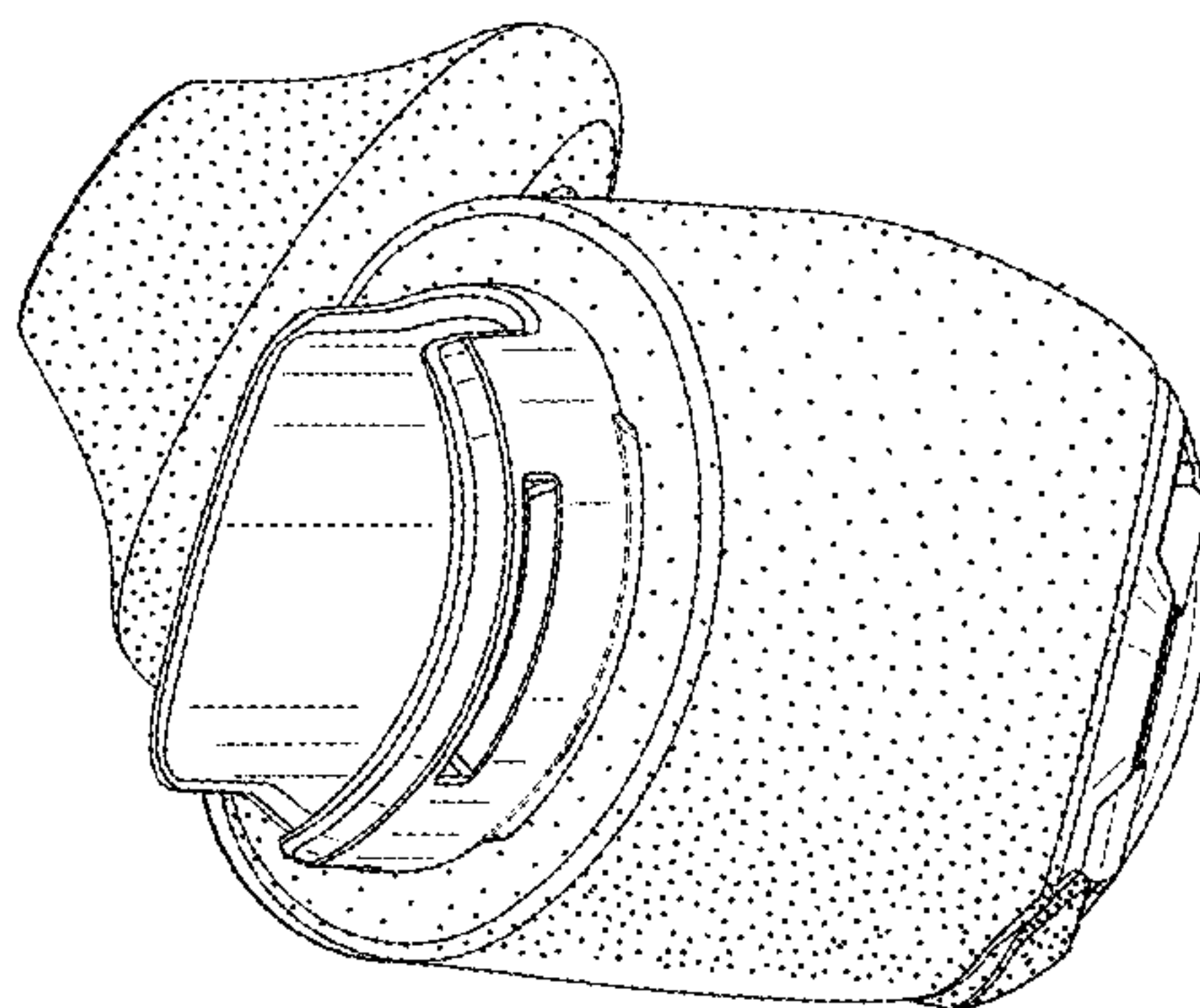


FIG. 22

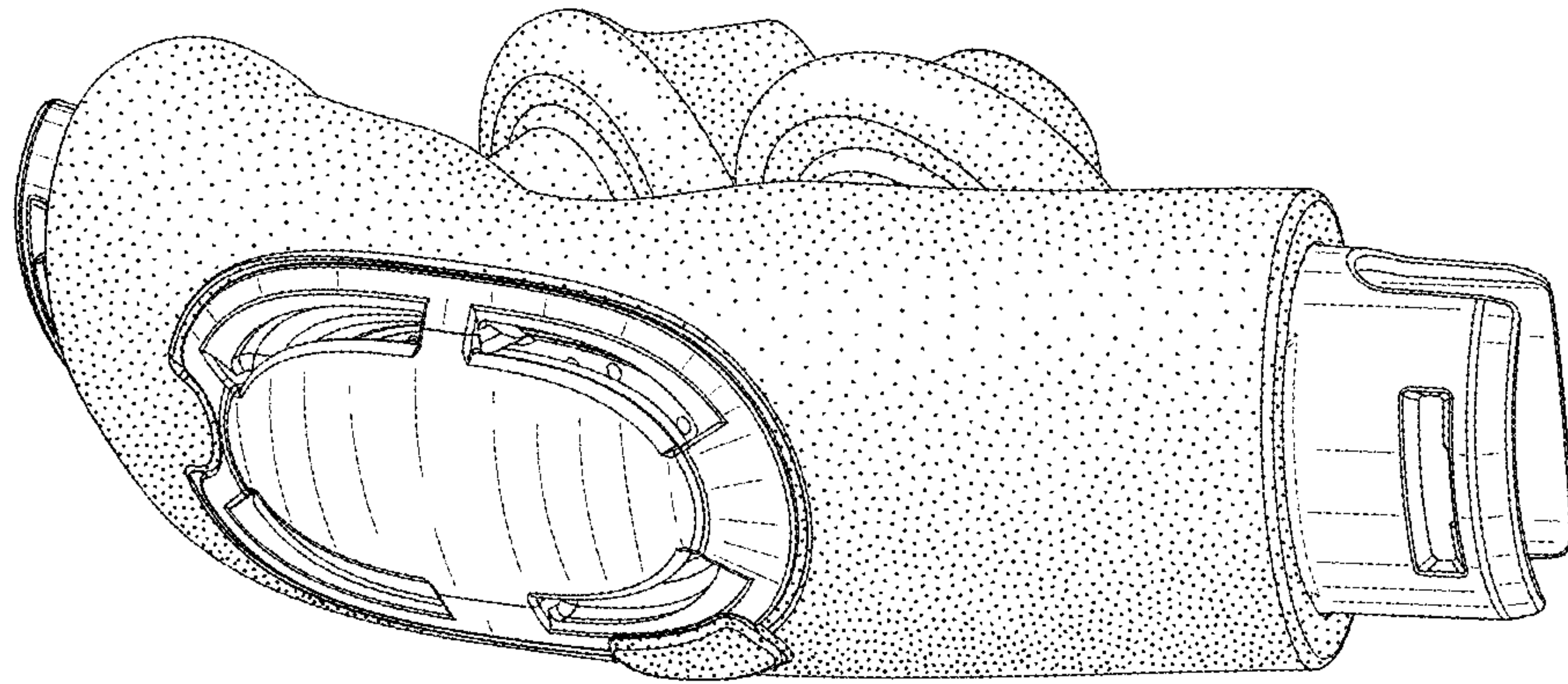


FIG. 23

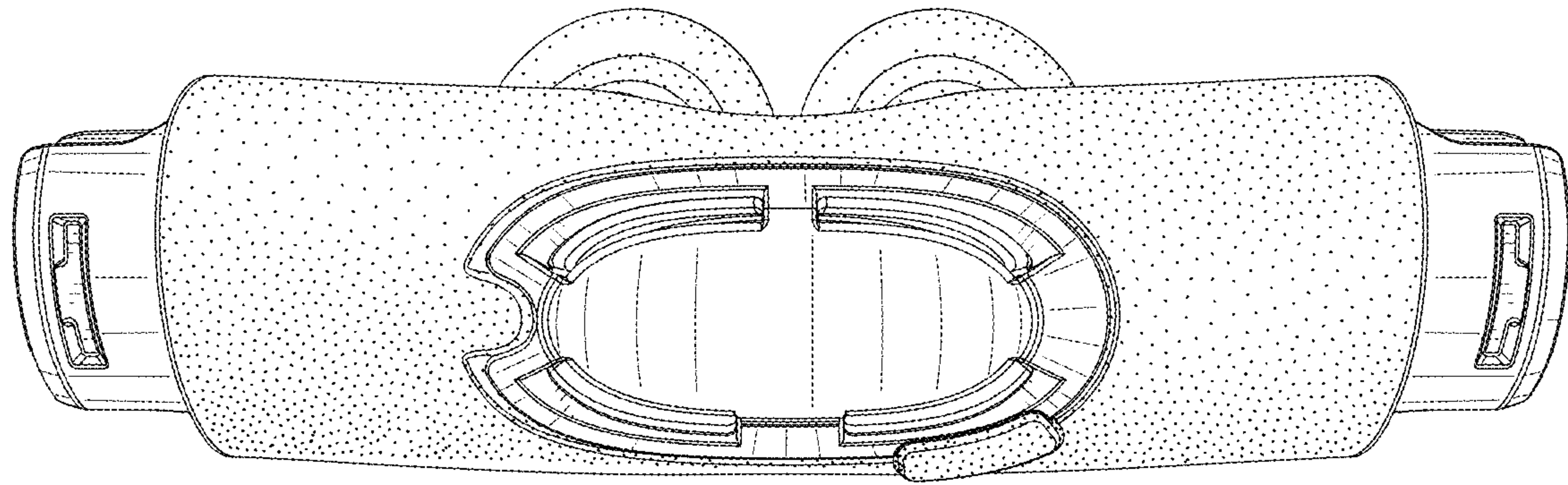


FIG. 24

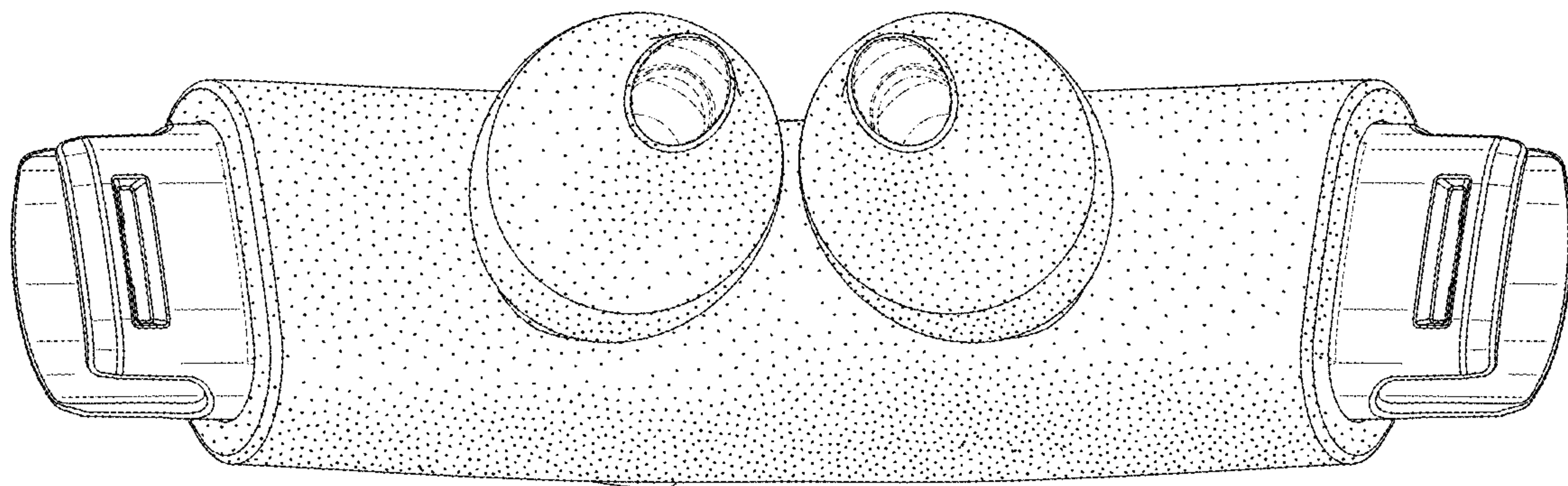


FIG. 25

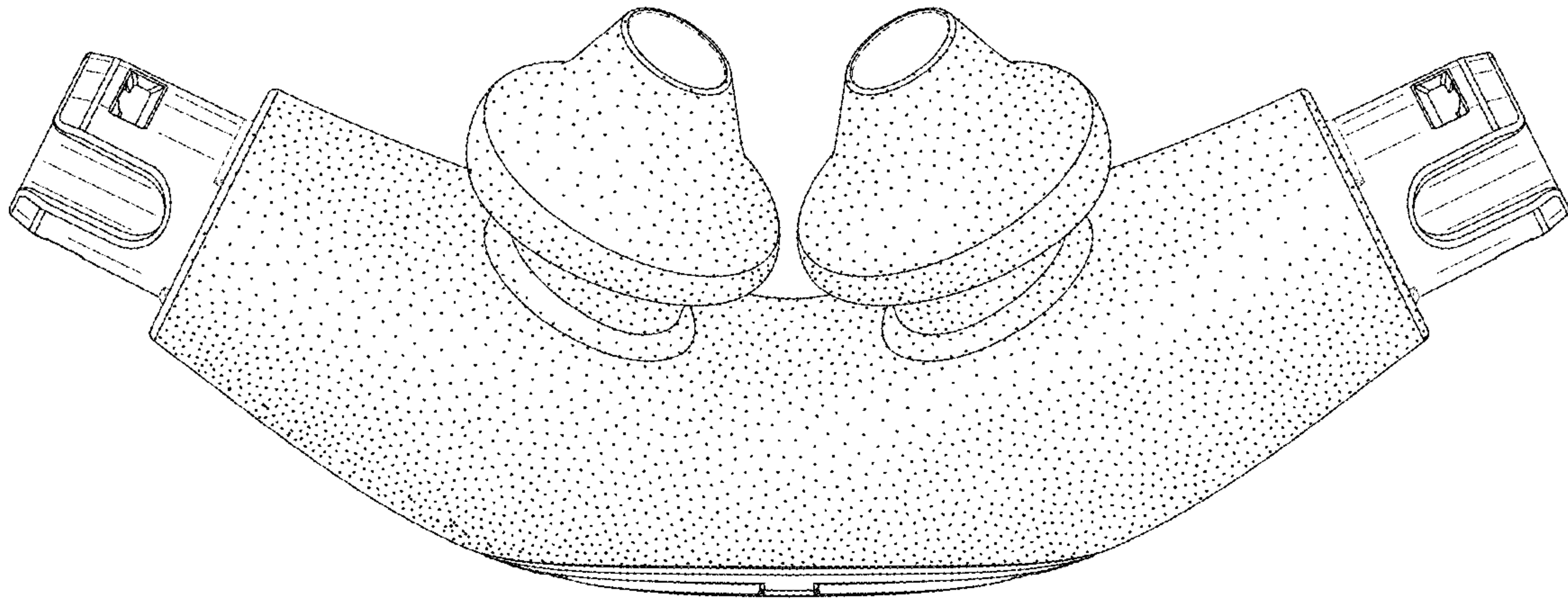


FIG. 26

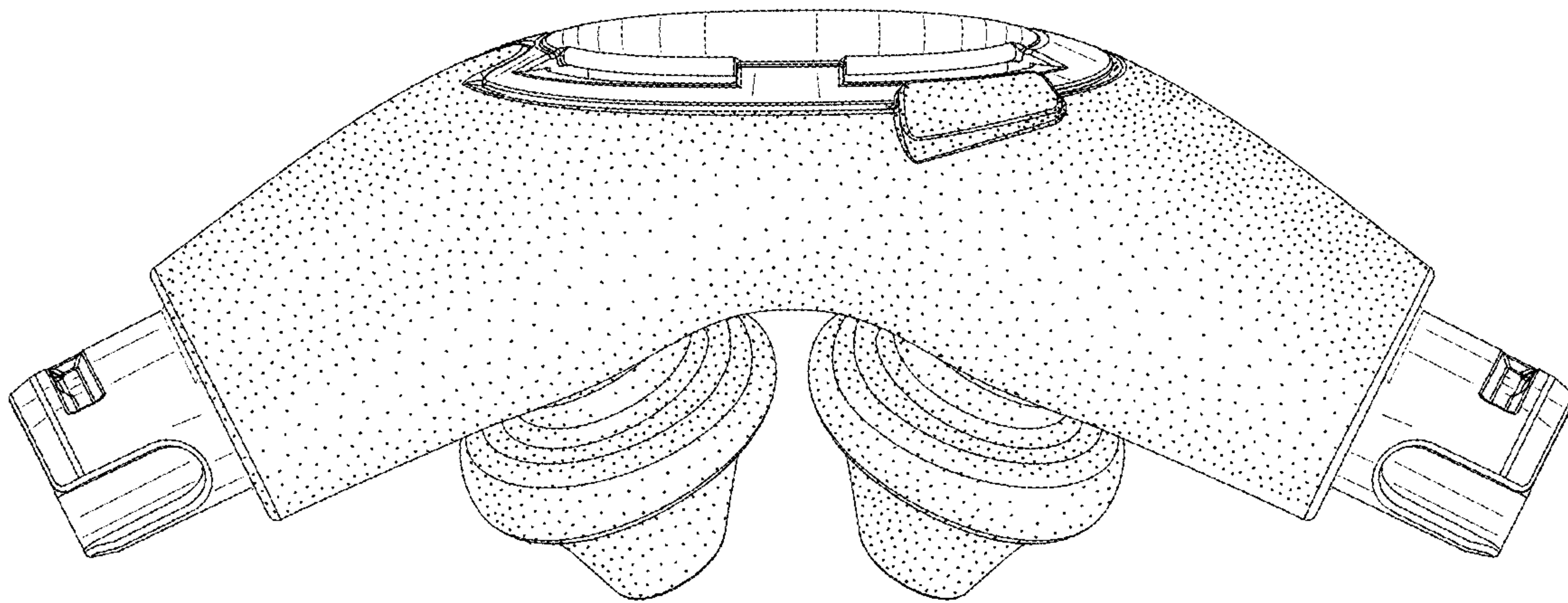


FIG. 27

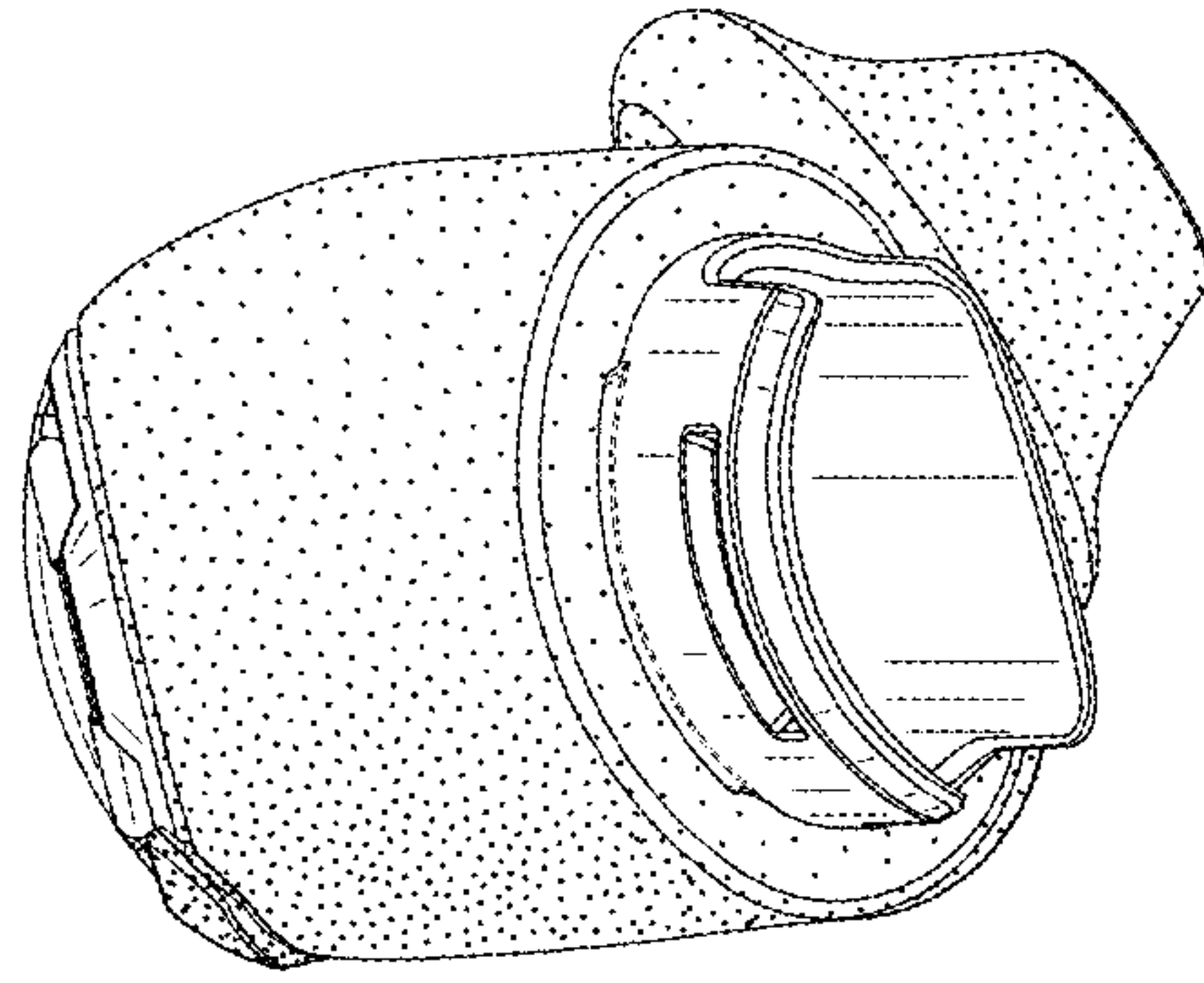


FIG. 28

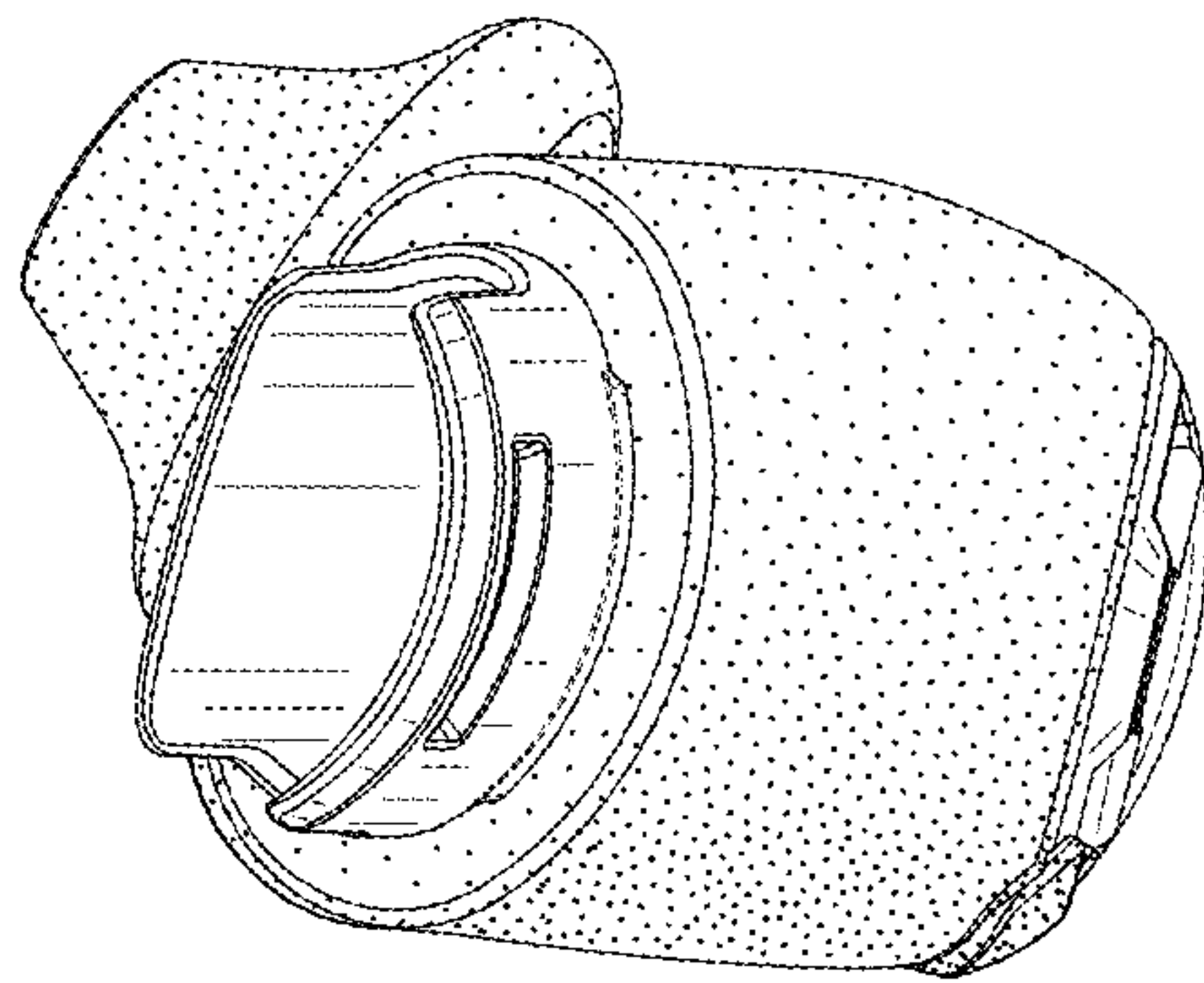


FIG. 29

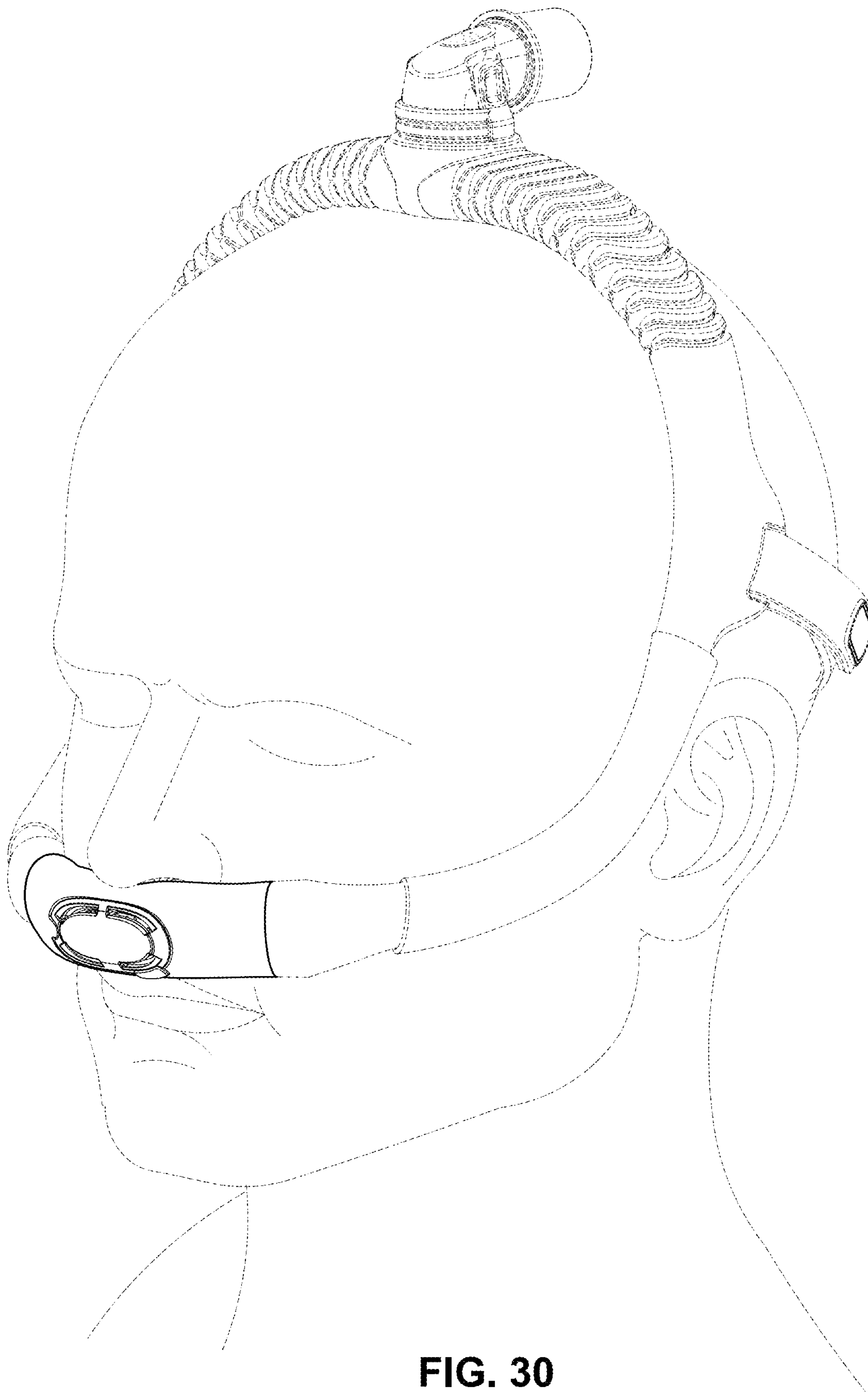


FIG. 30

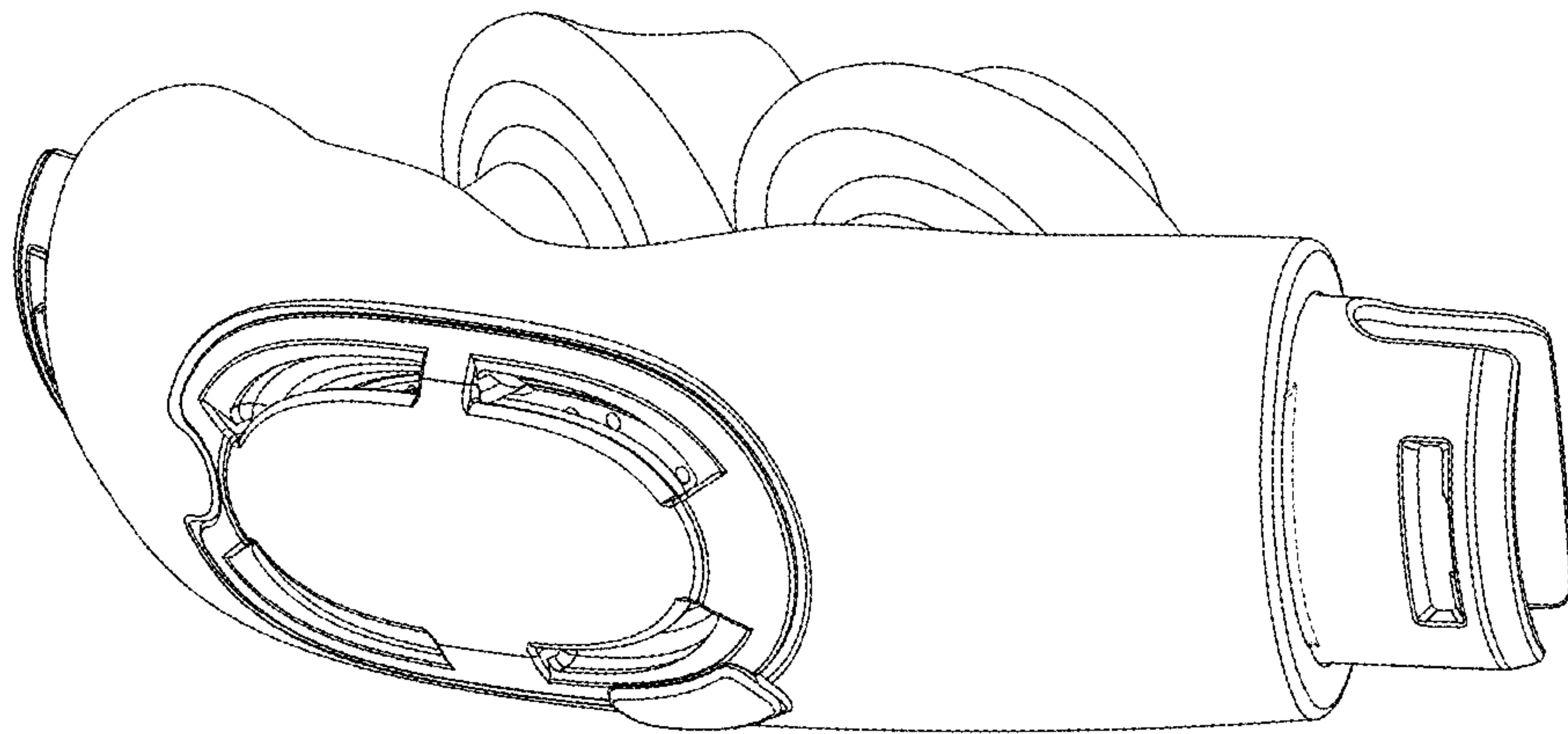


FIG. 31

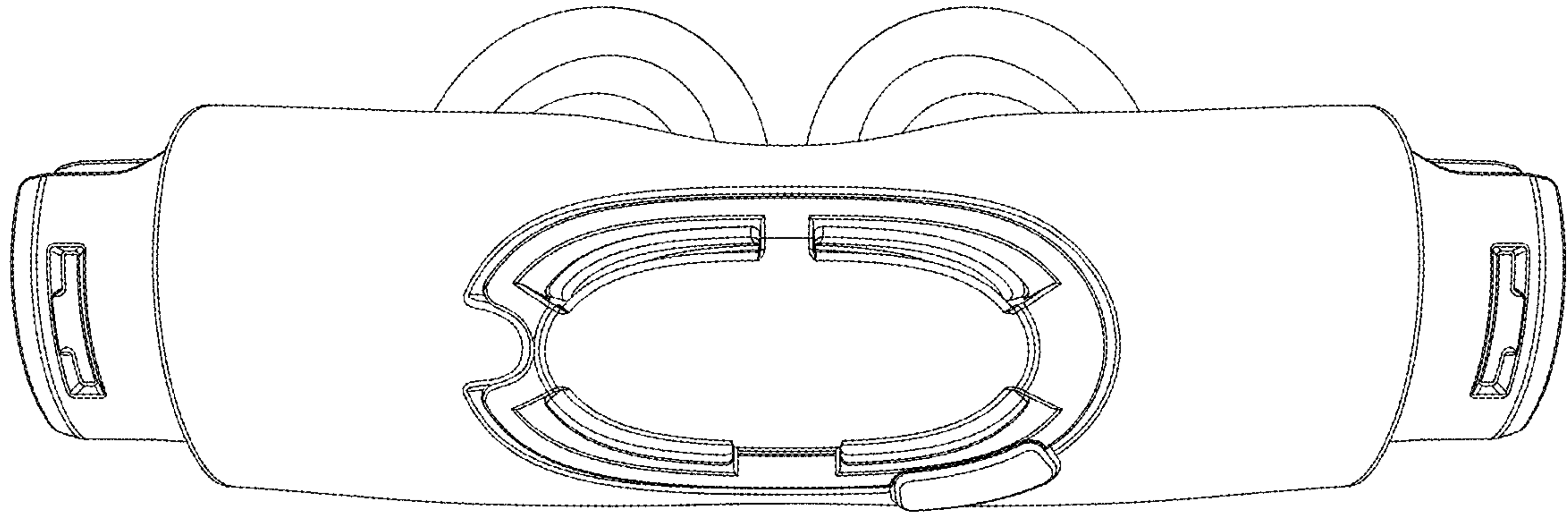


FIG. 32

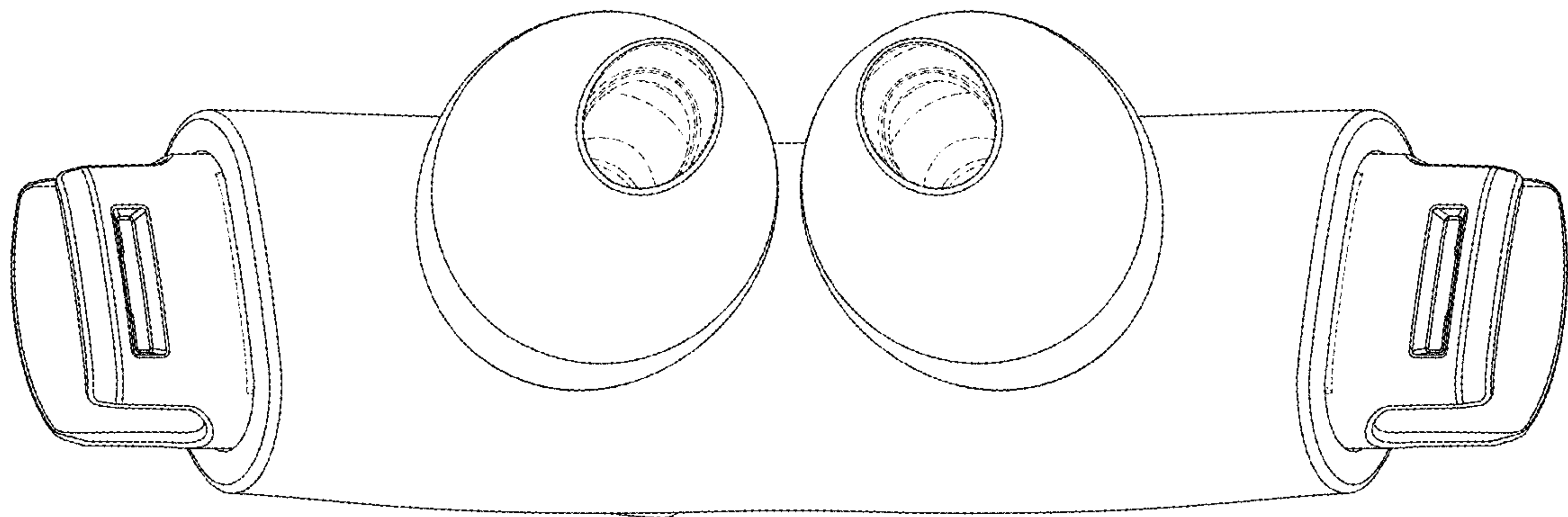


FIG. 33

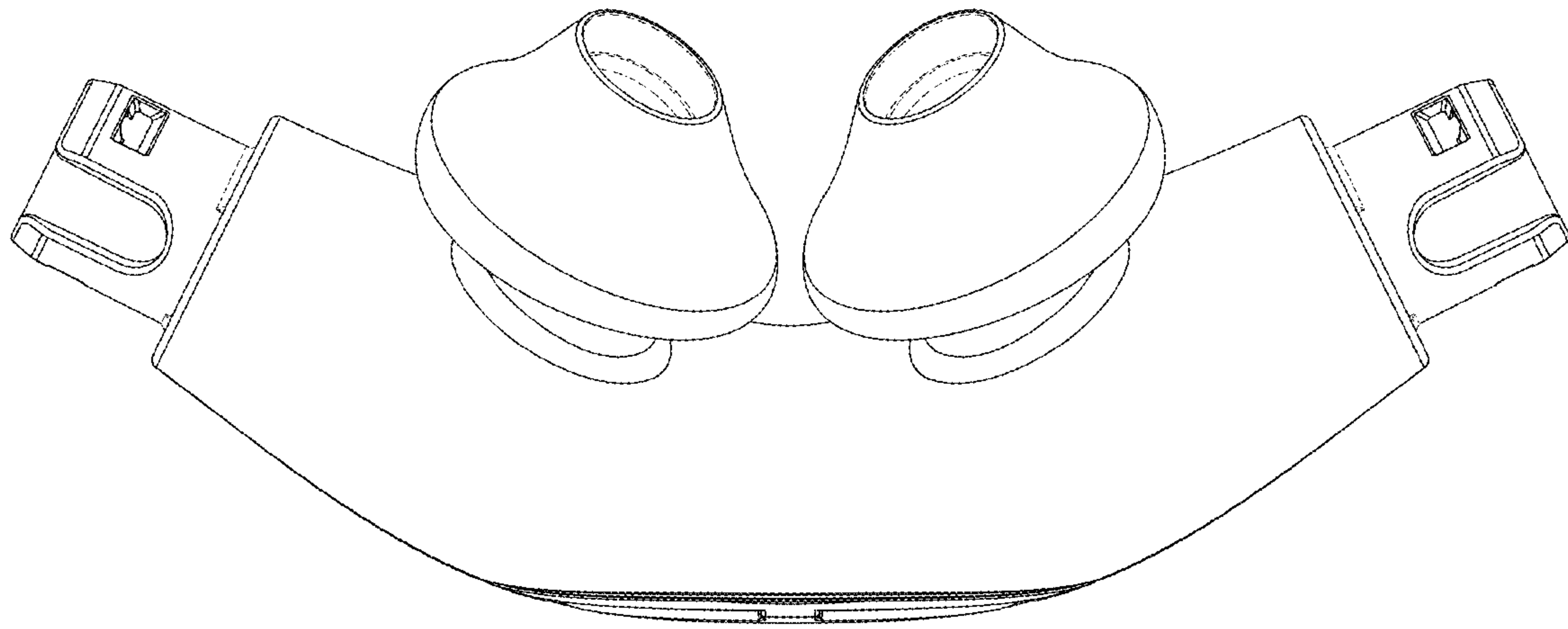


FIG. 34

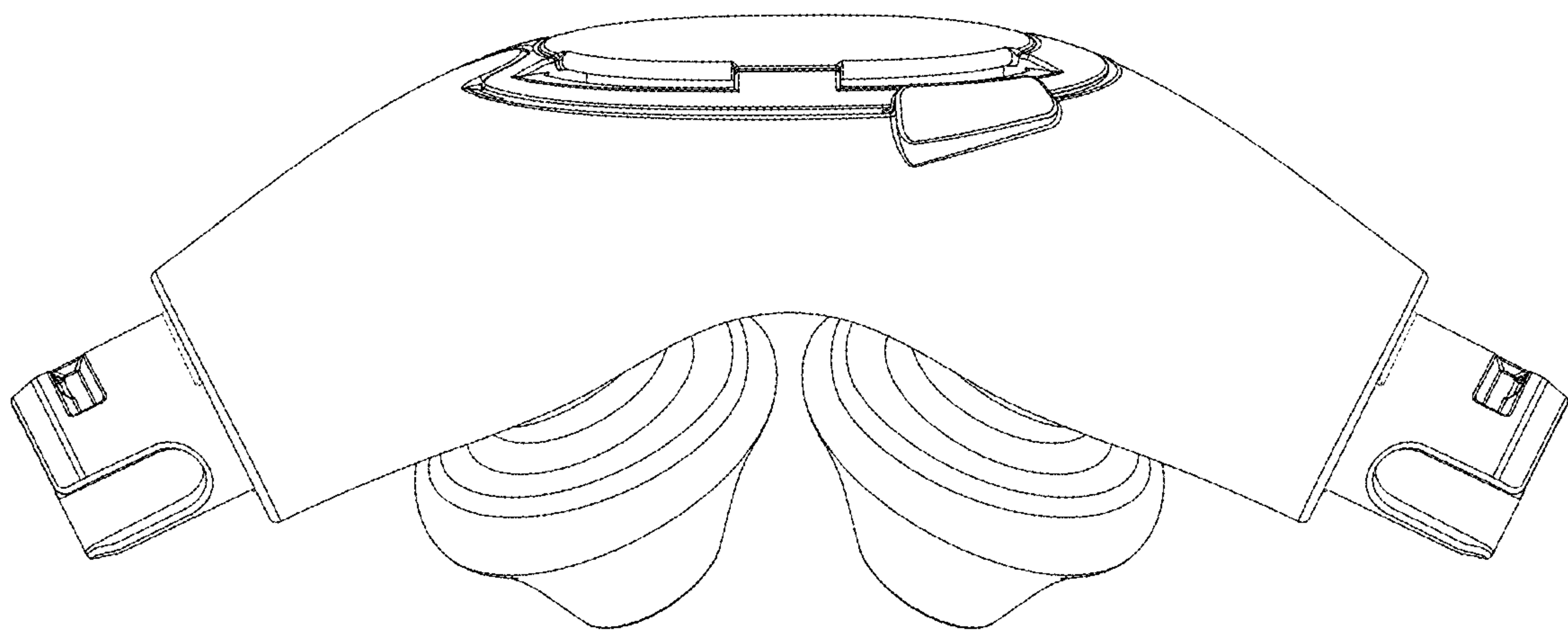


FIG. 35

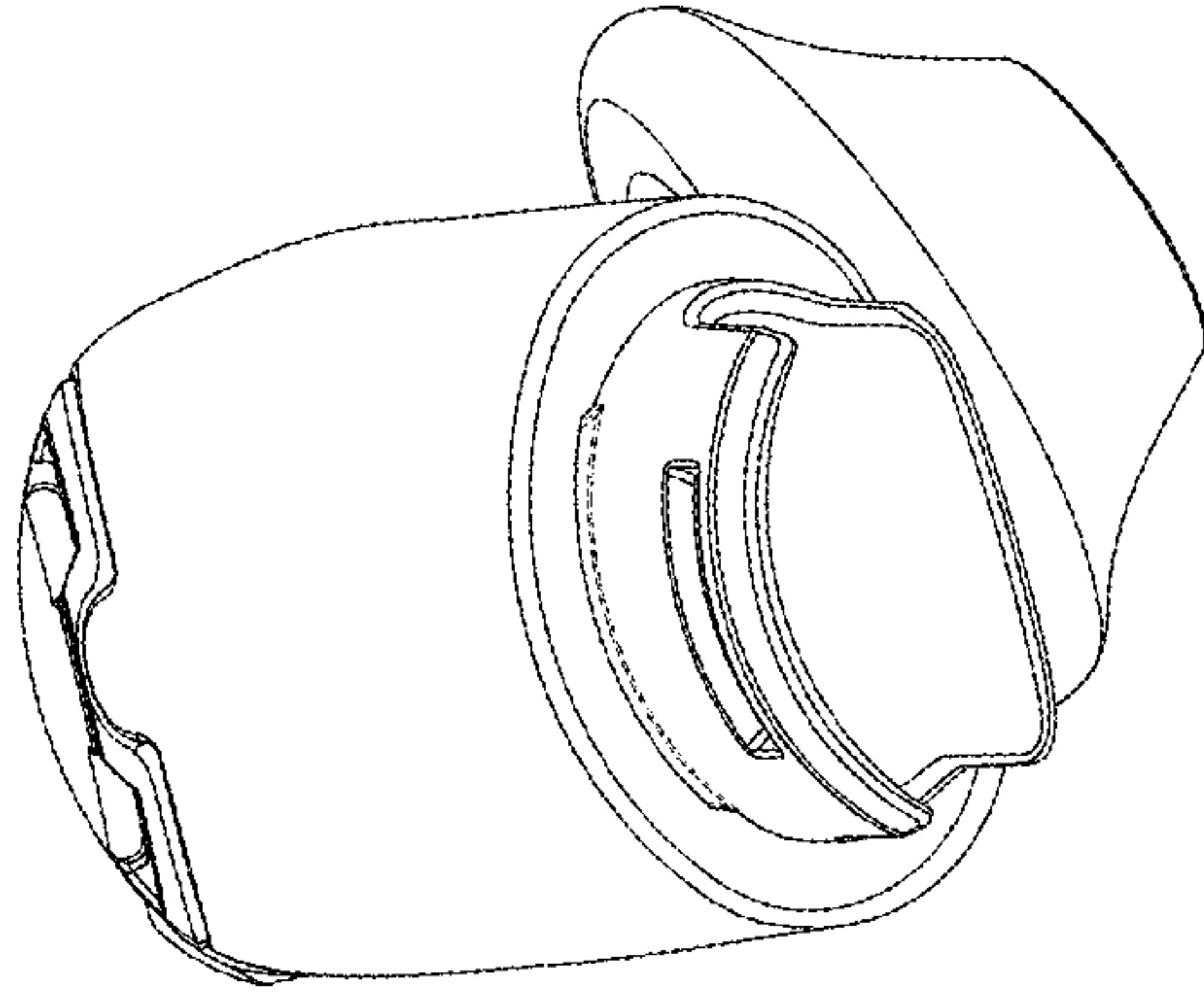


FIG. 36

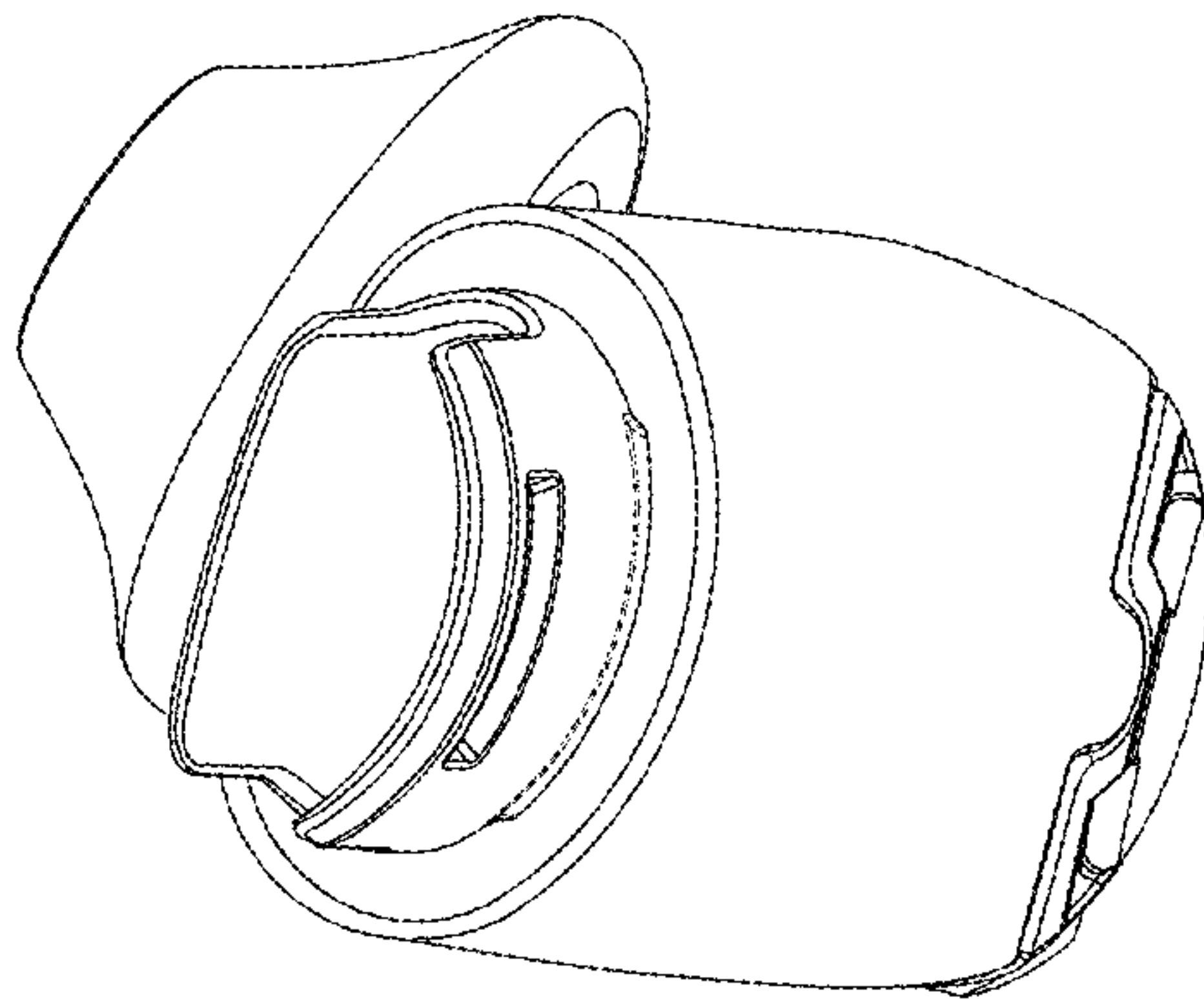


FIG. 37

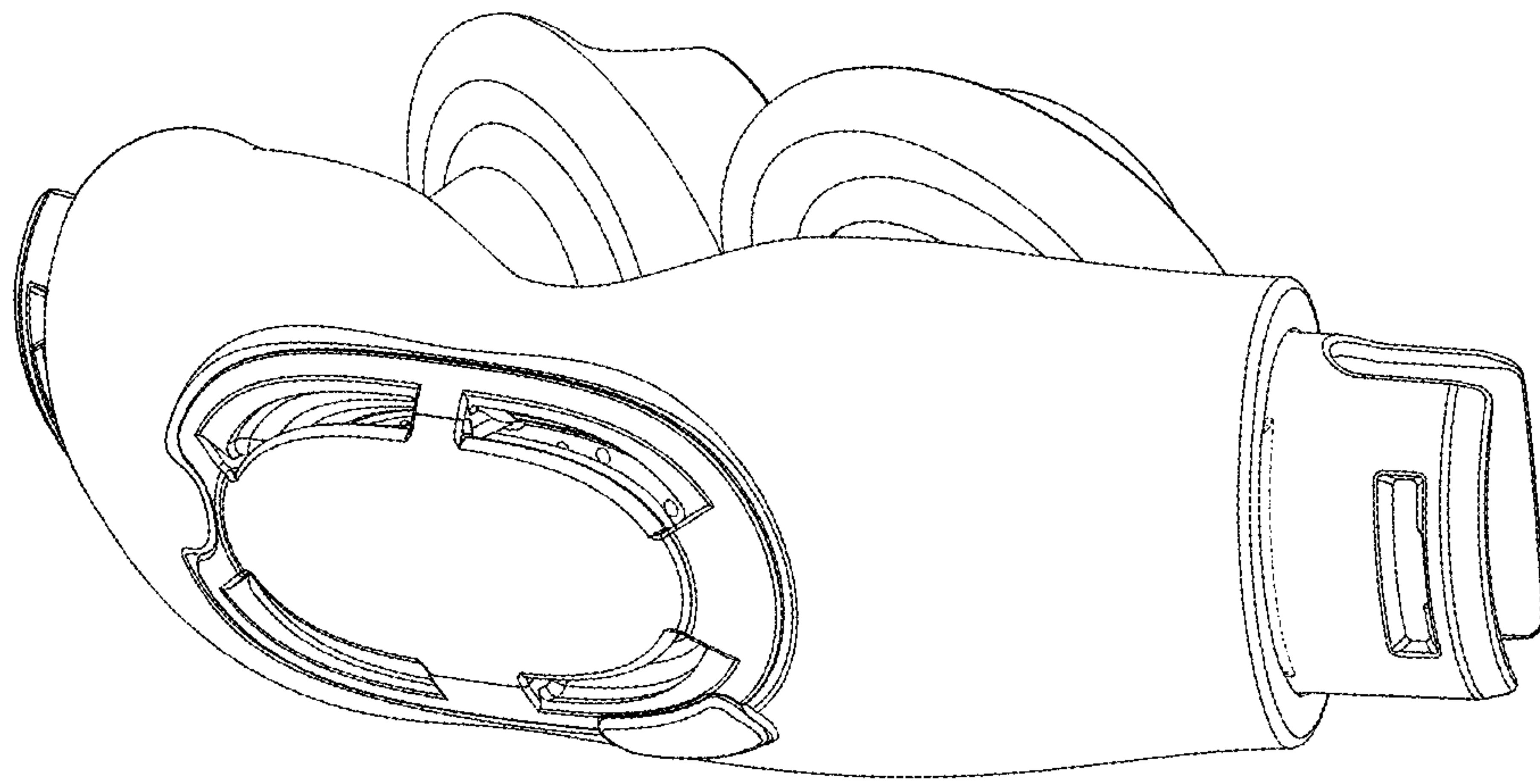


FIG. 38

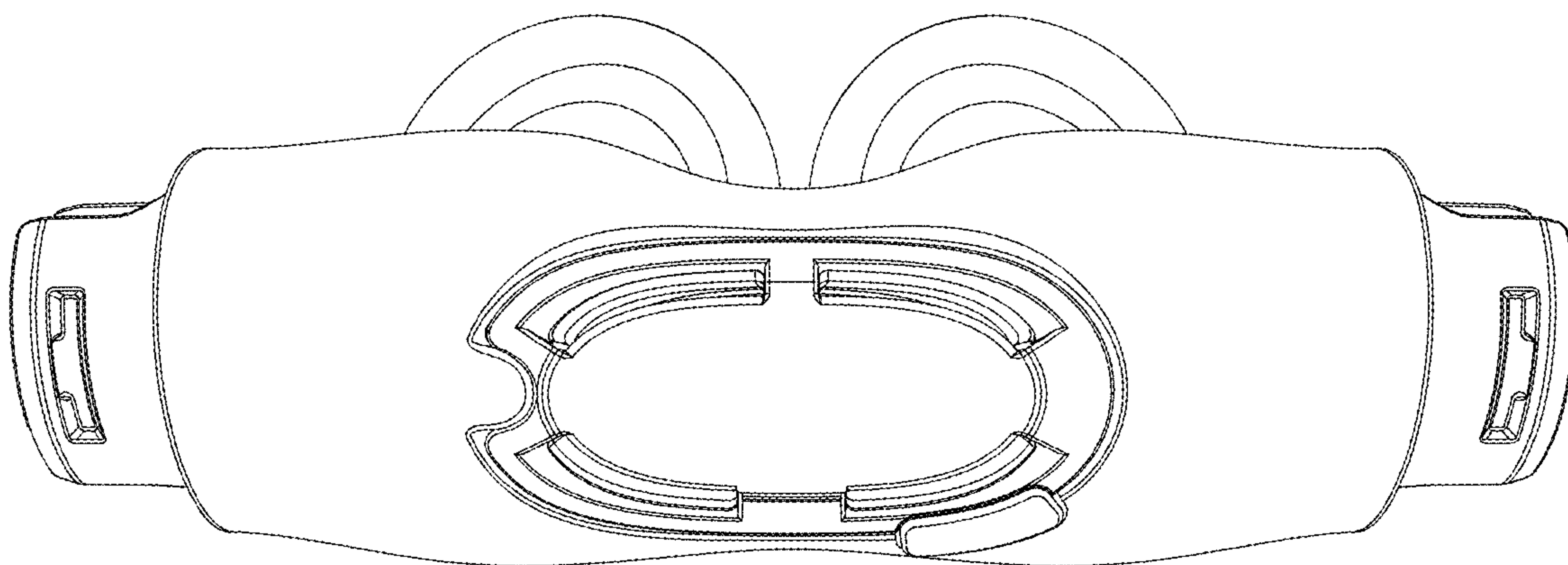


FIG. 39

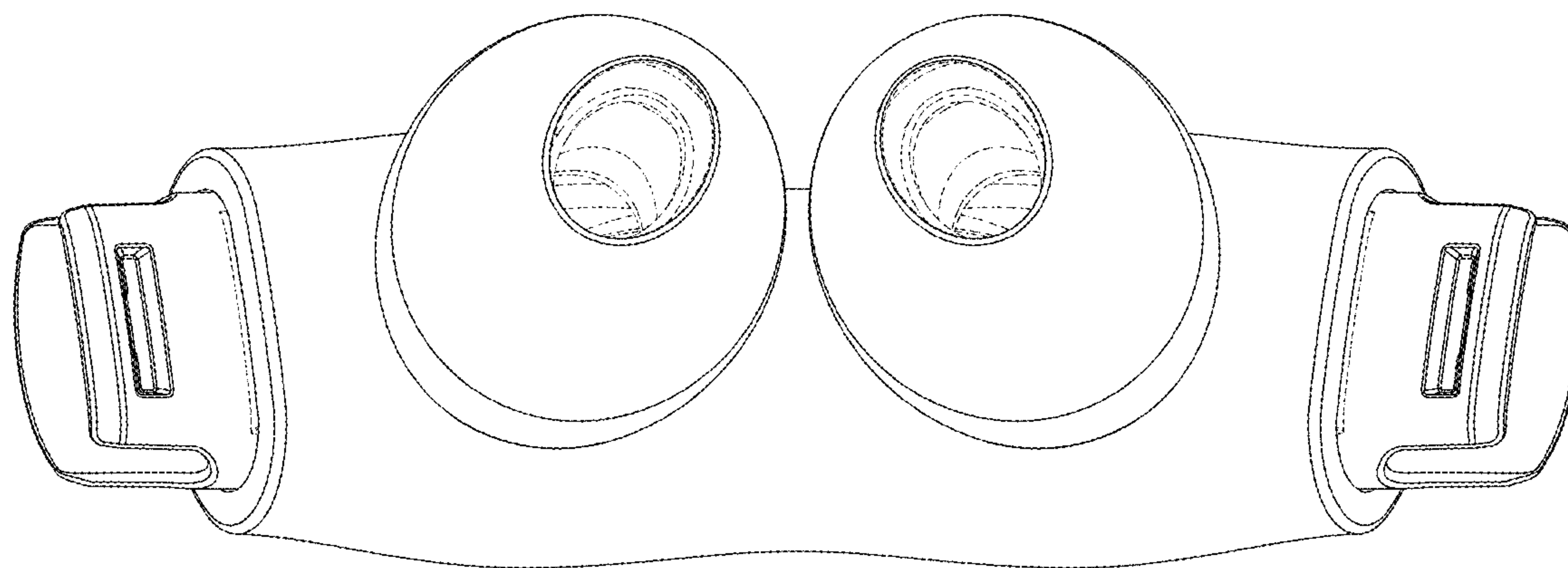


FIG. 40

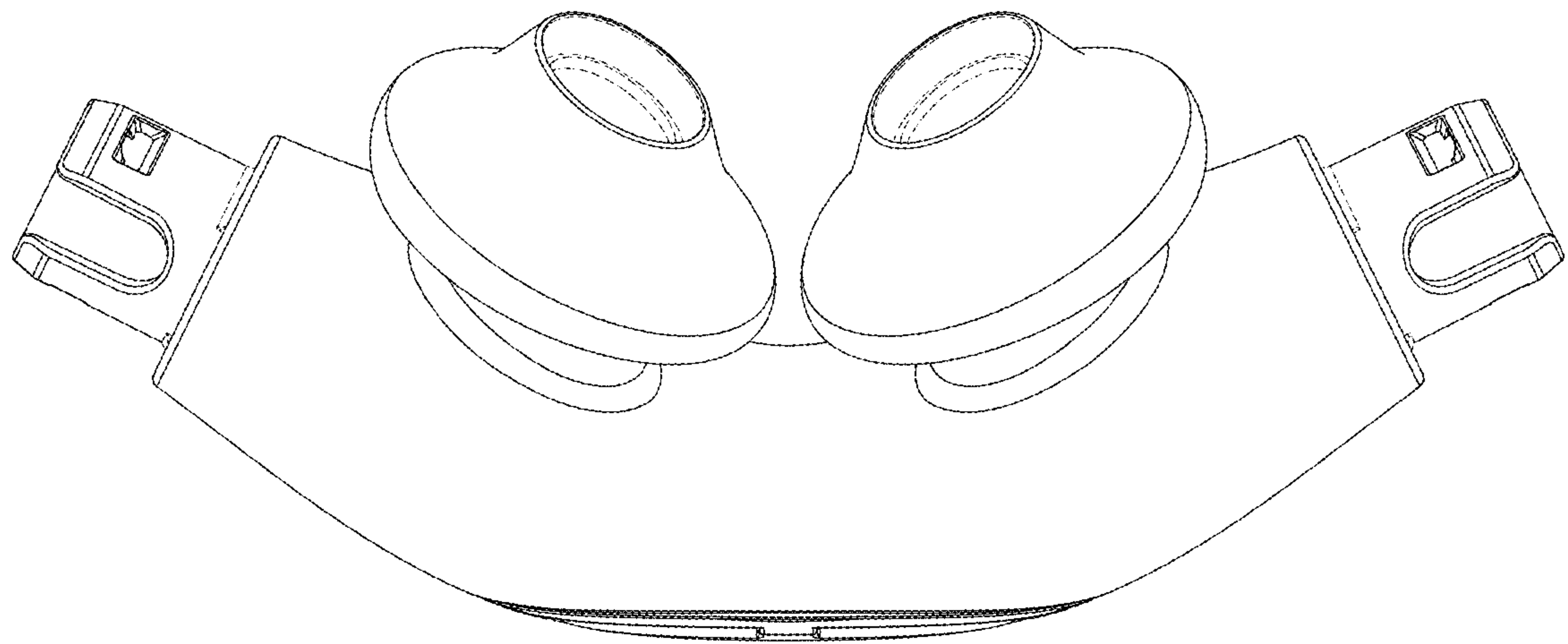


FIG. 41

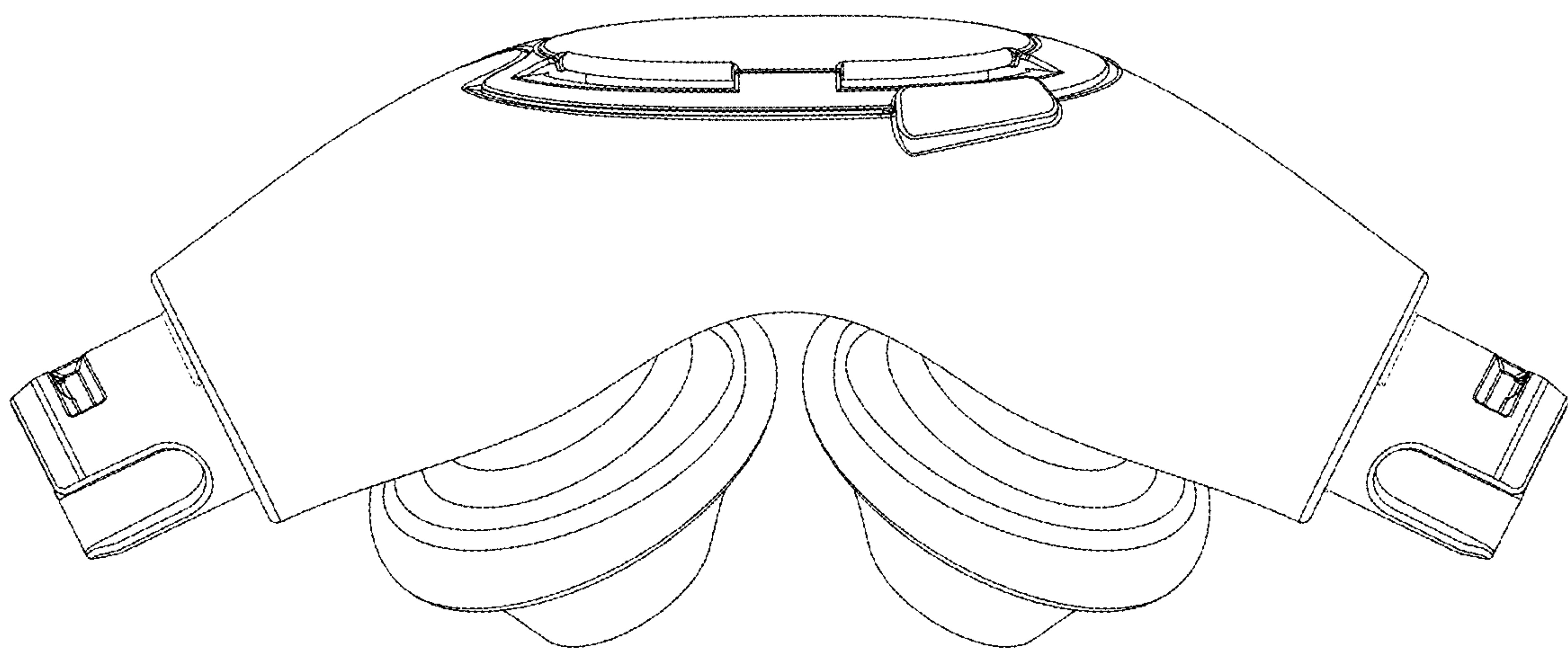


FIG. 42

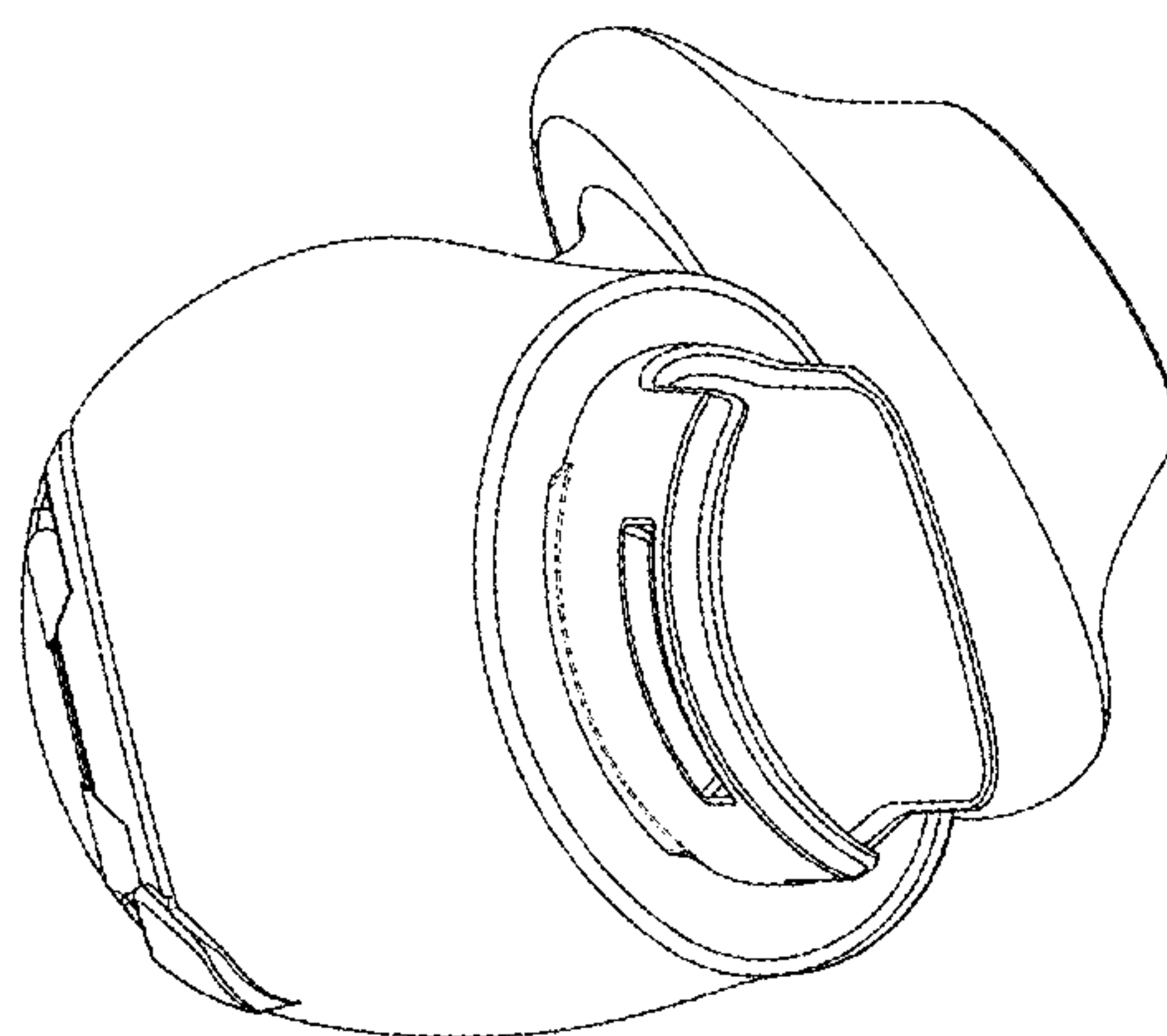


FIG. 43

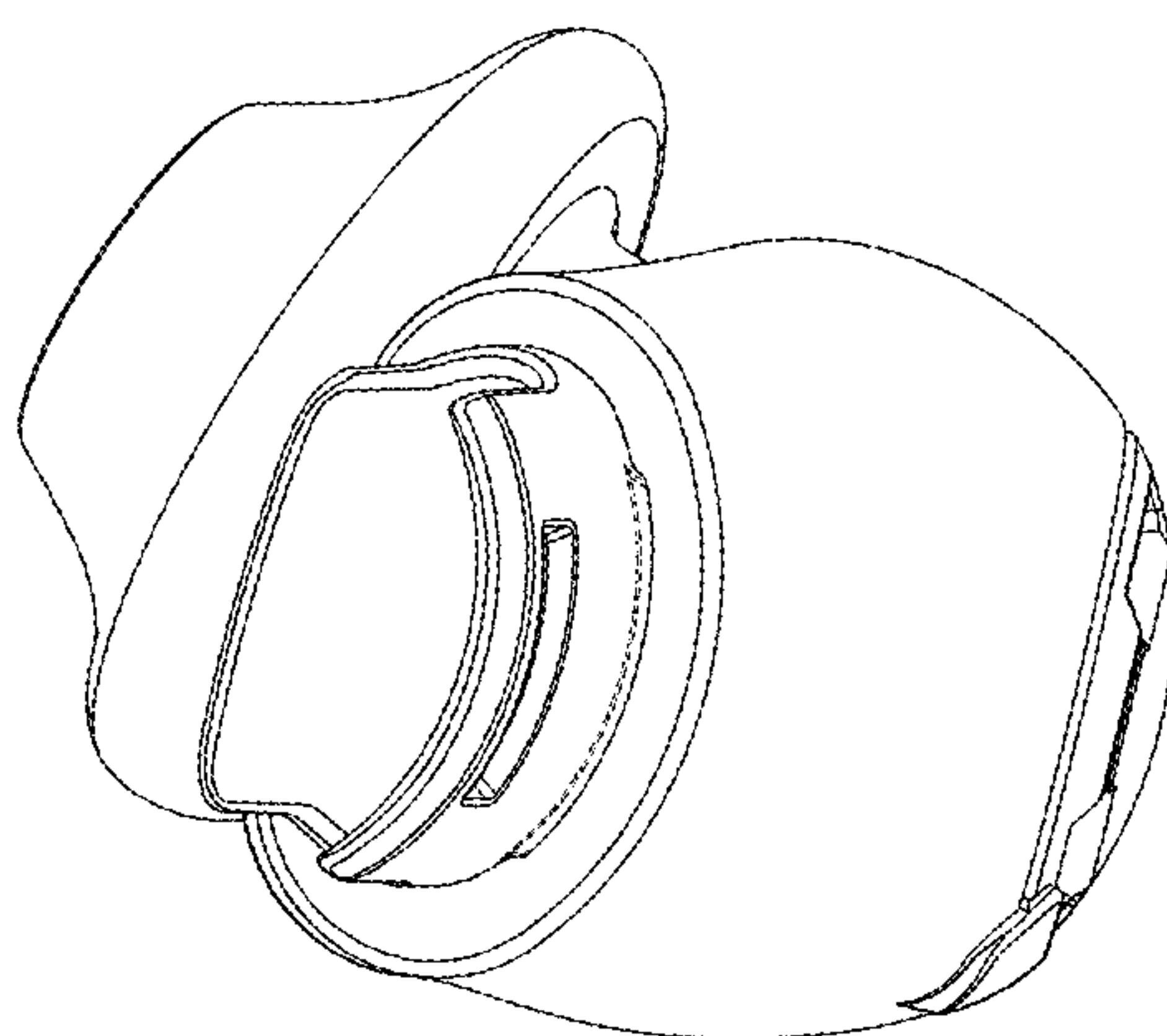


FIG. 44

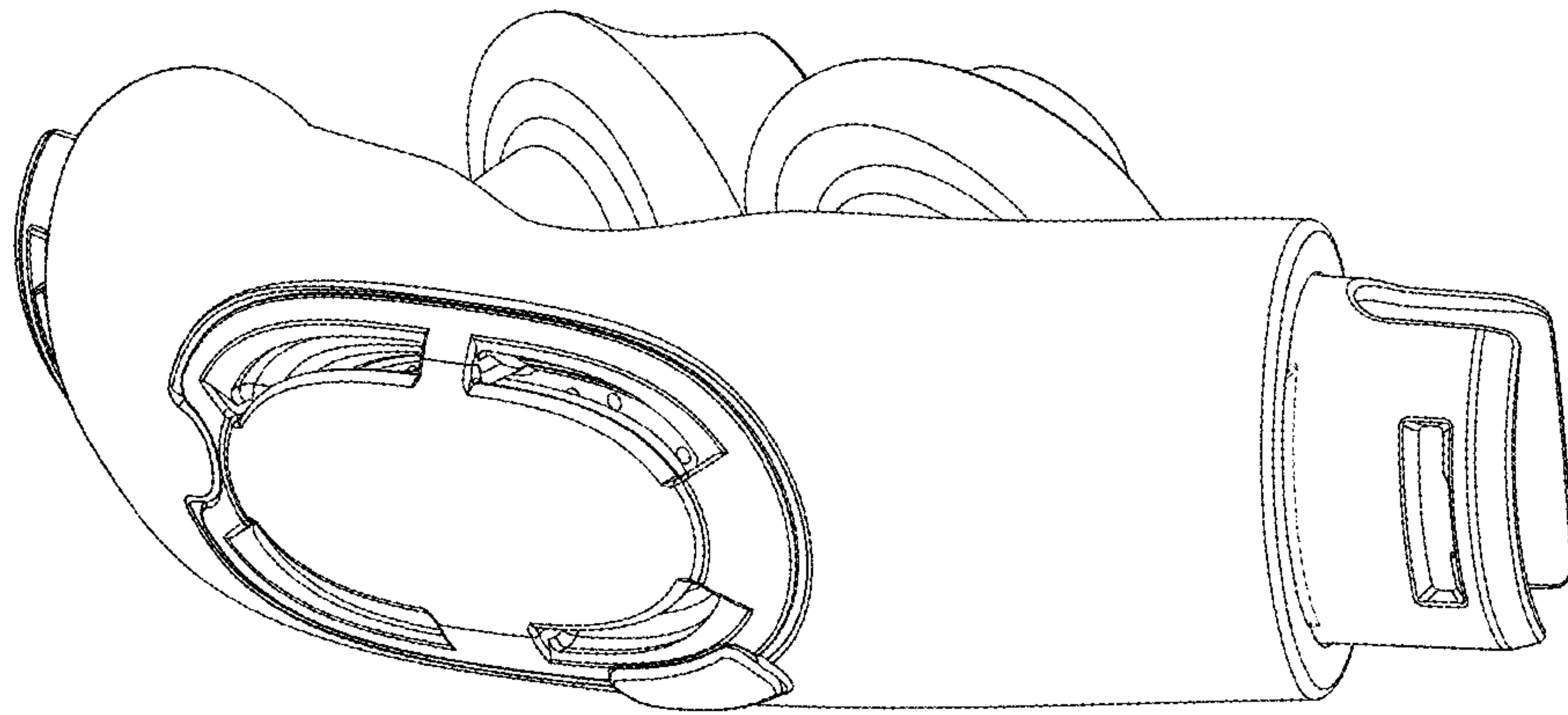


FIG. 45

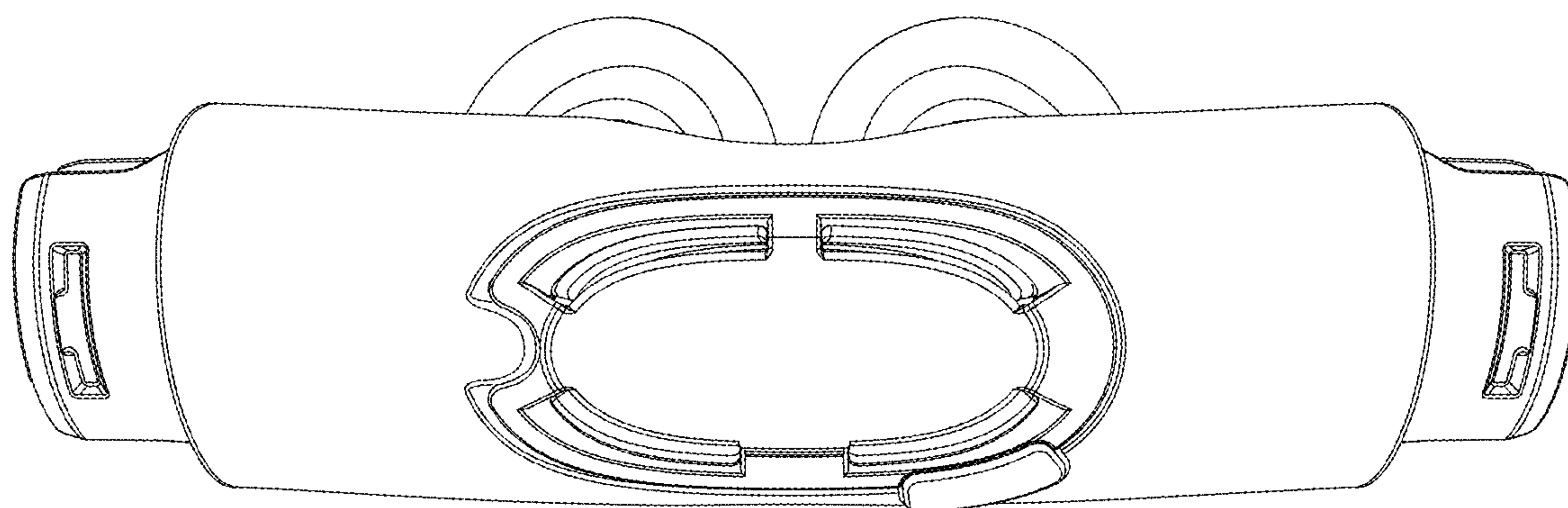


FIG. 46

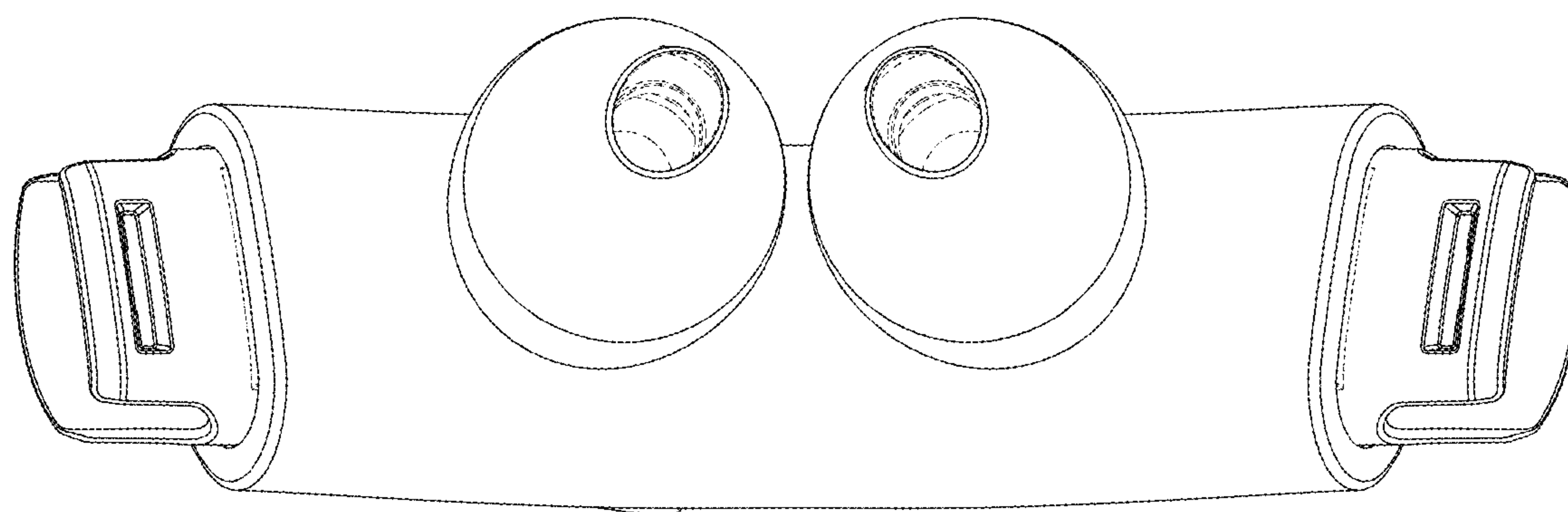


FIG. 47

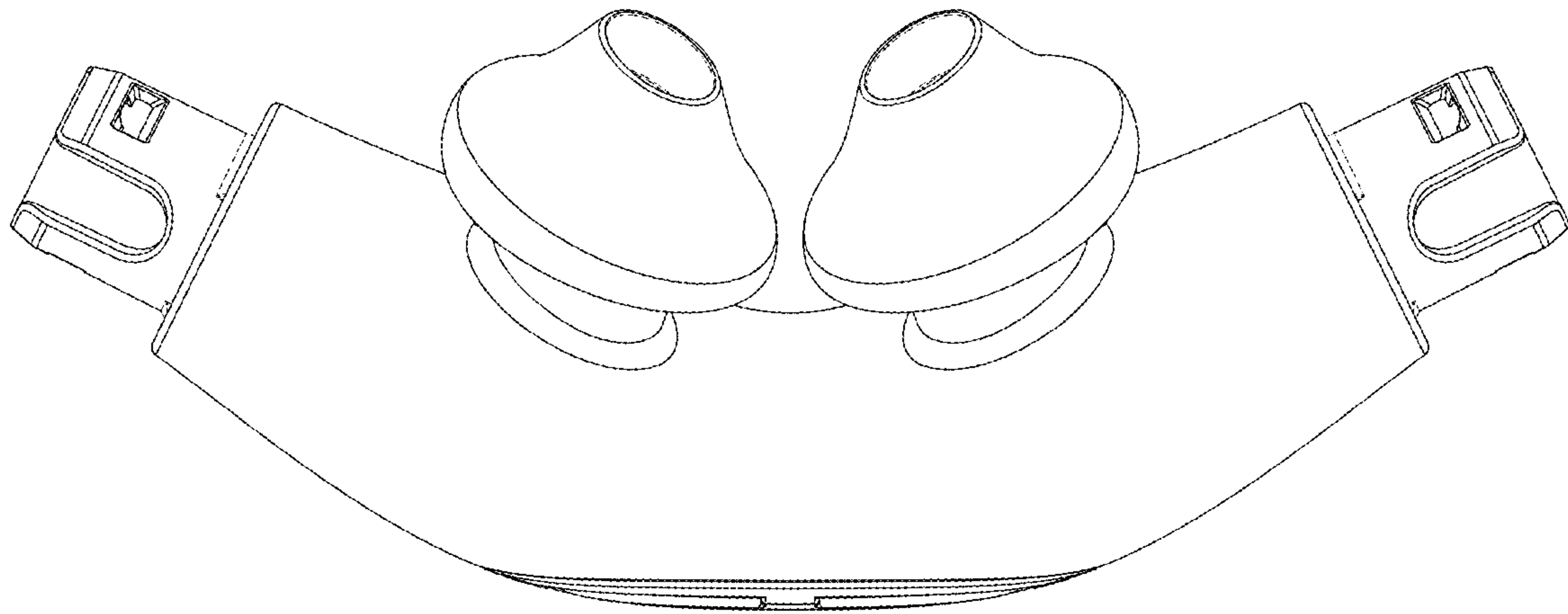


FIG. 48

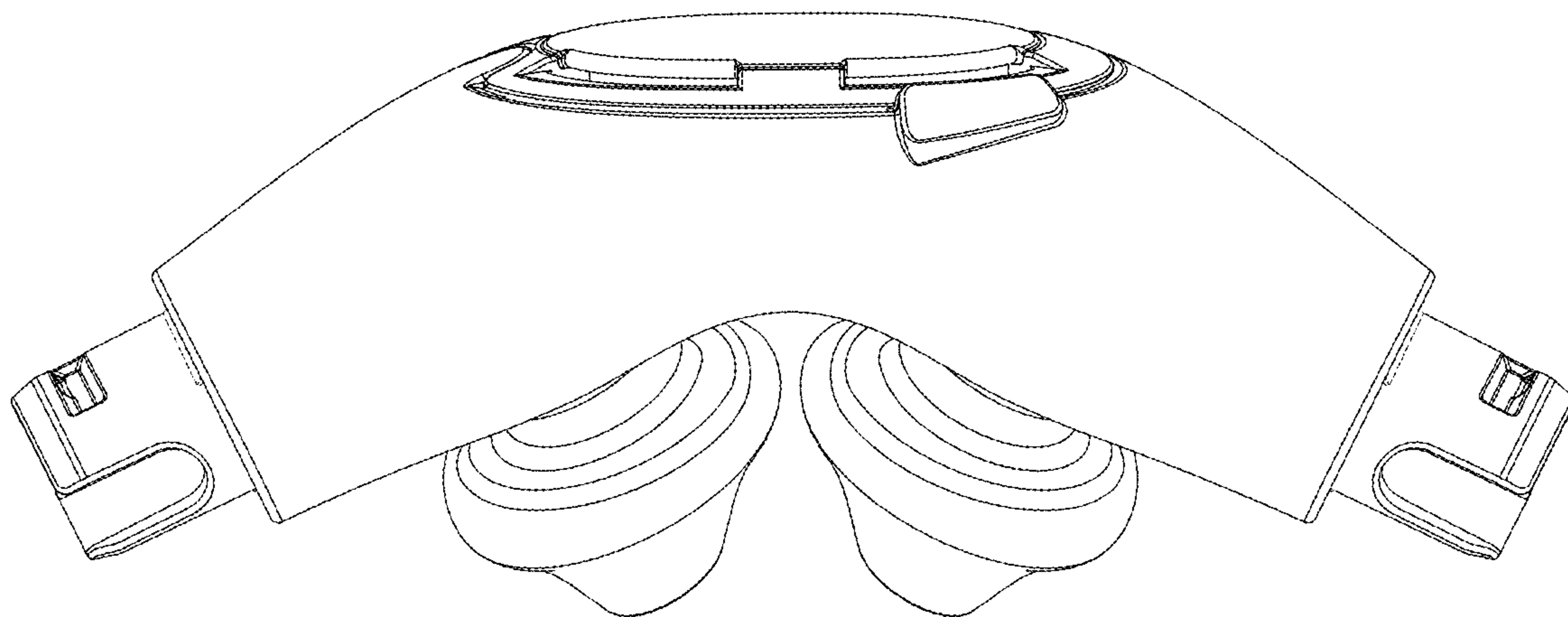


FIG. 49

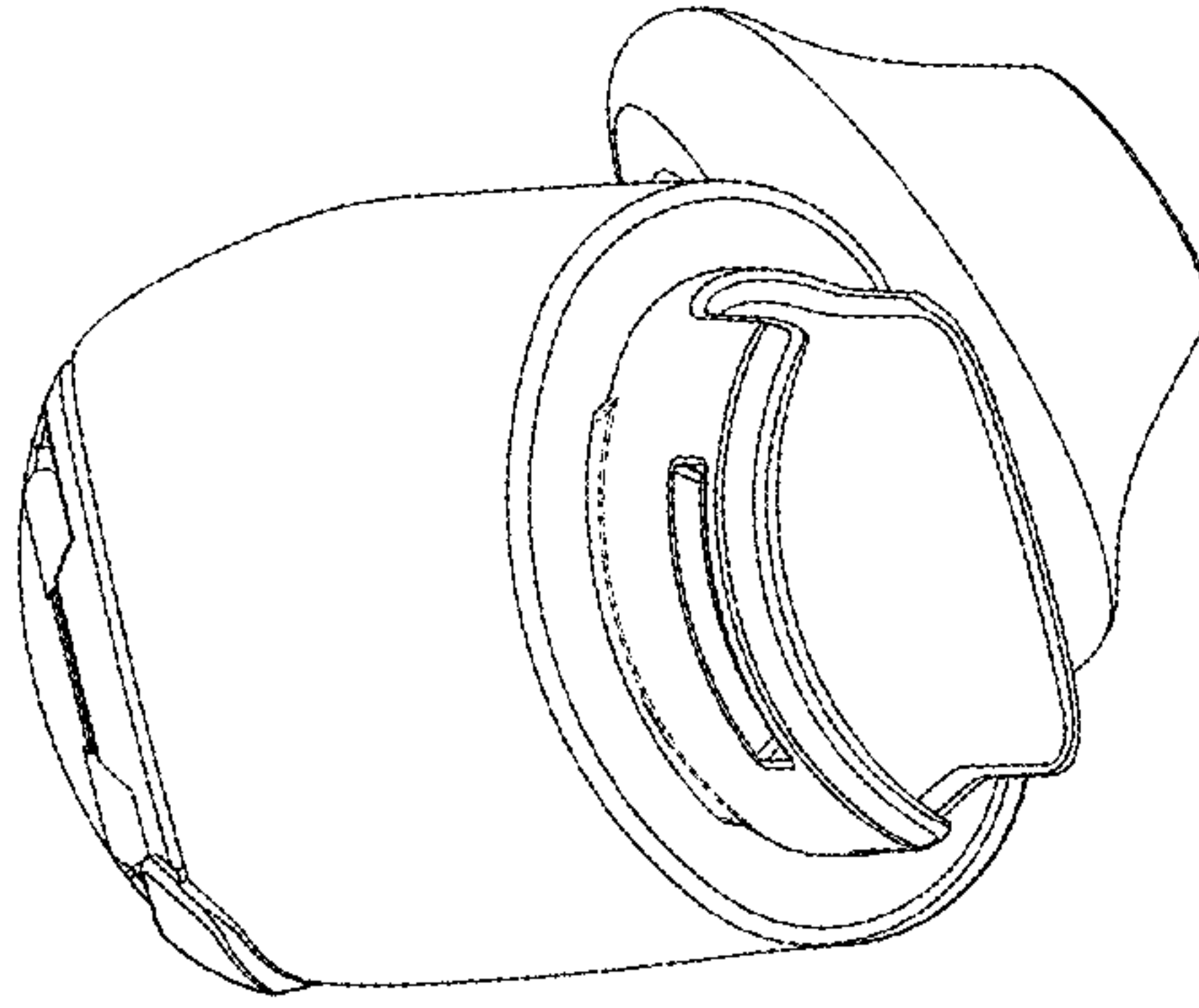


FIG. 50

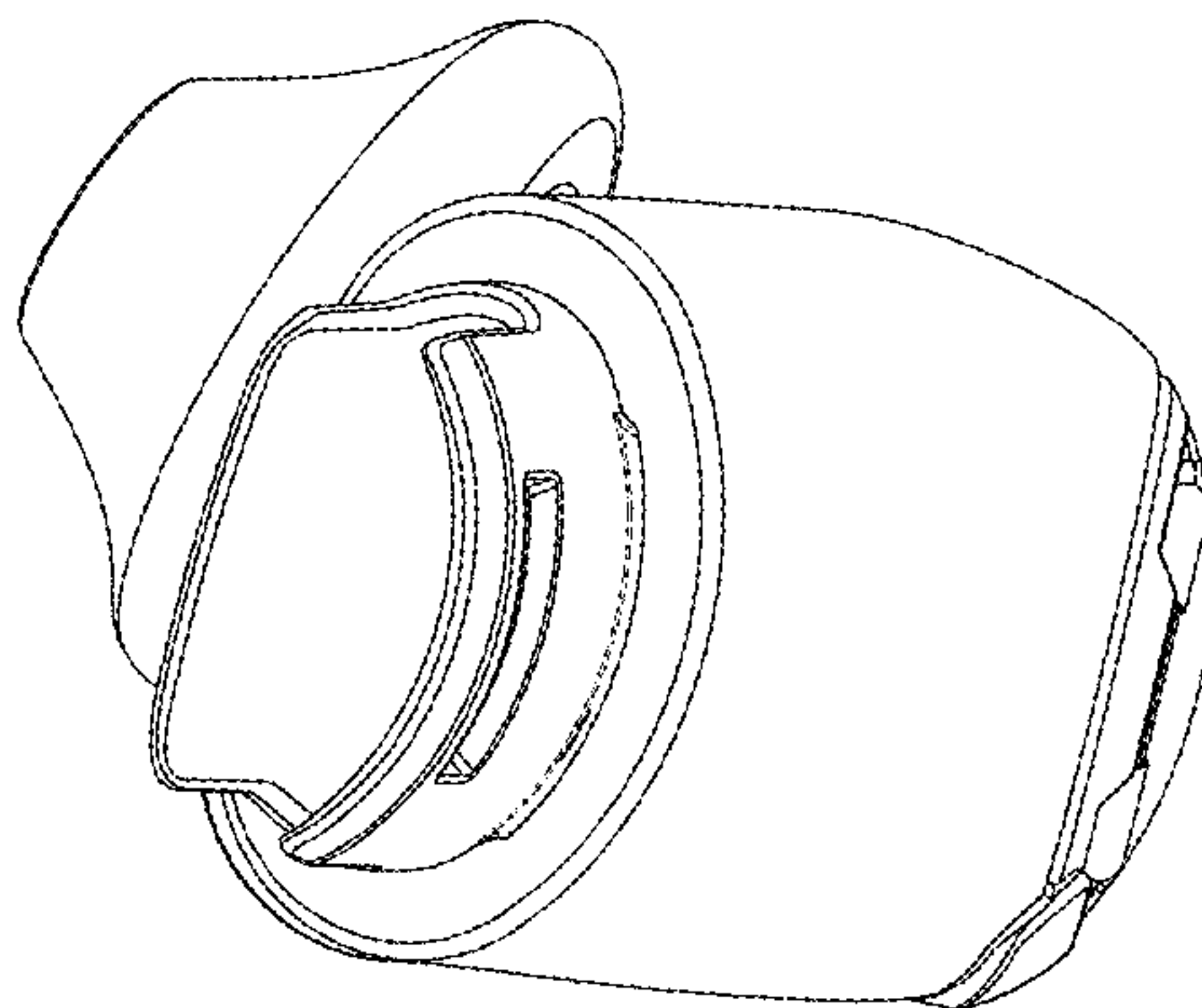


FIG. 51

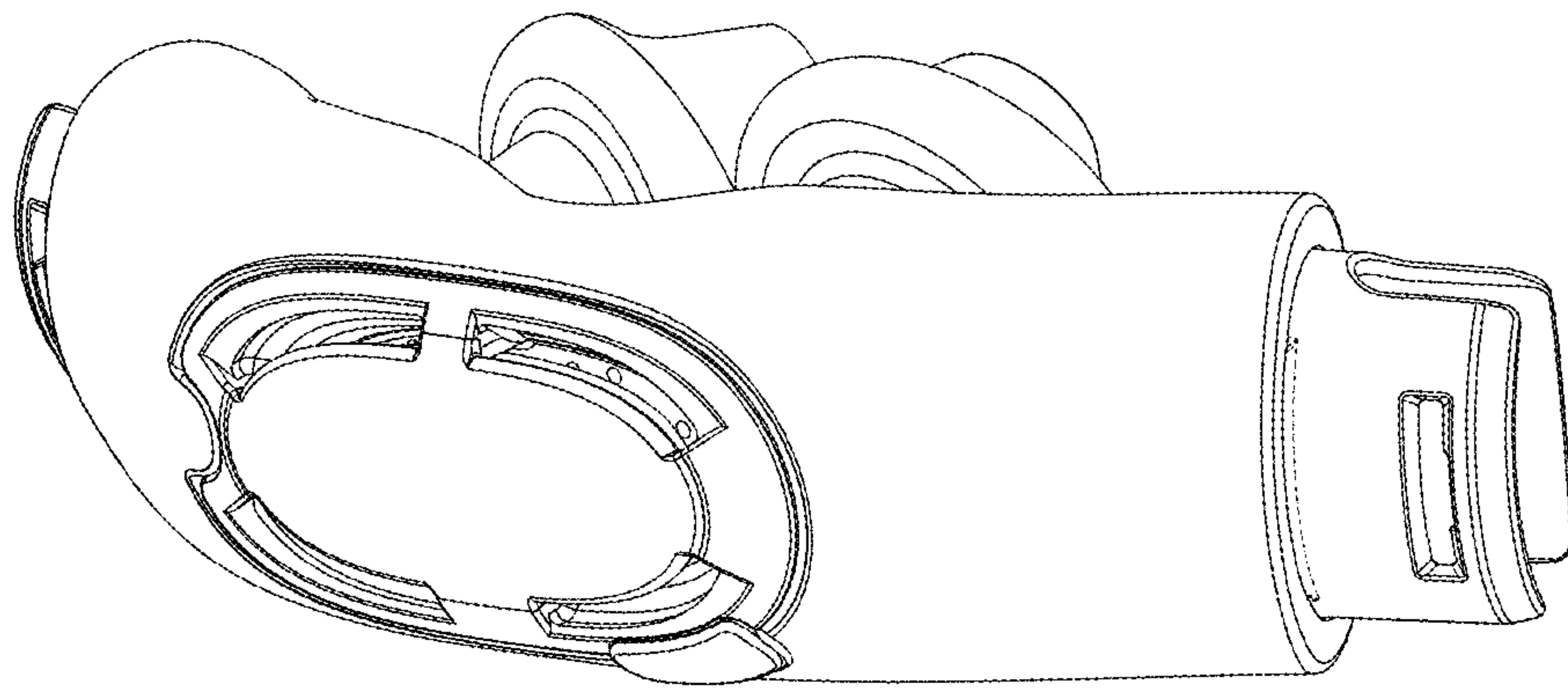


FIG. 52

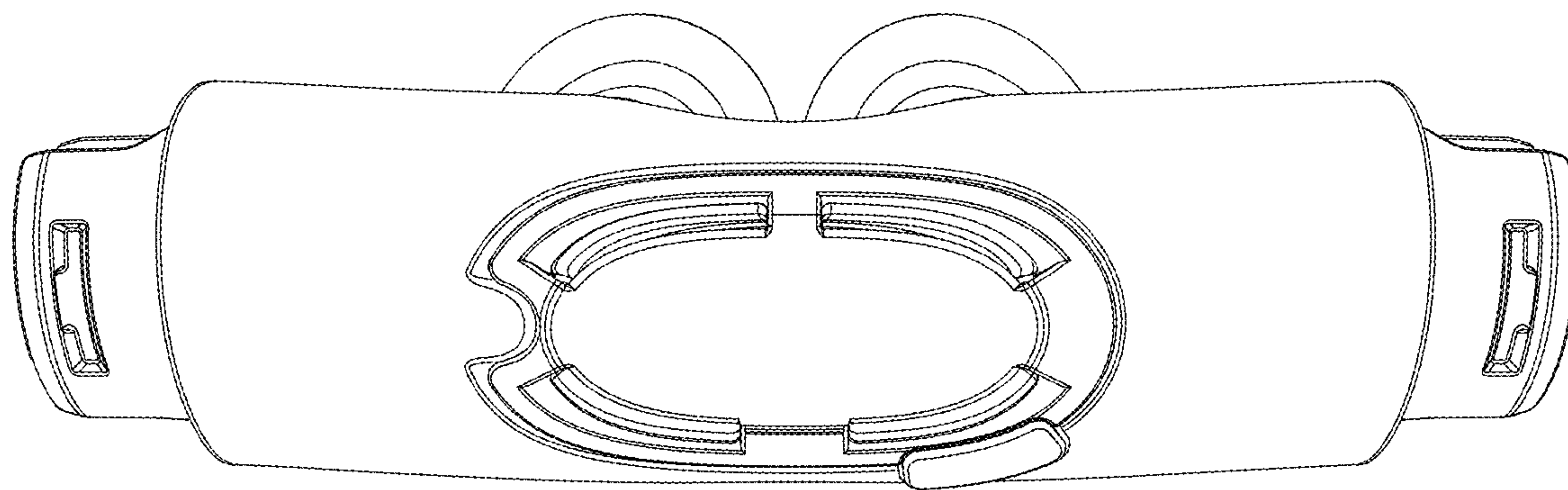


FIG. 53

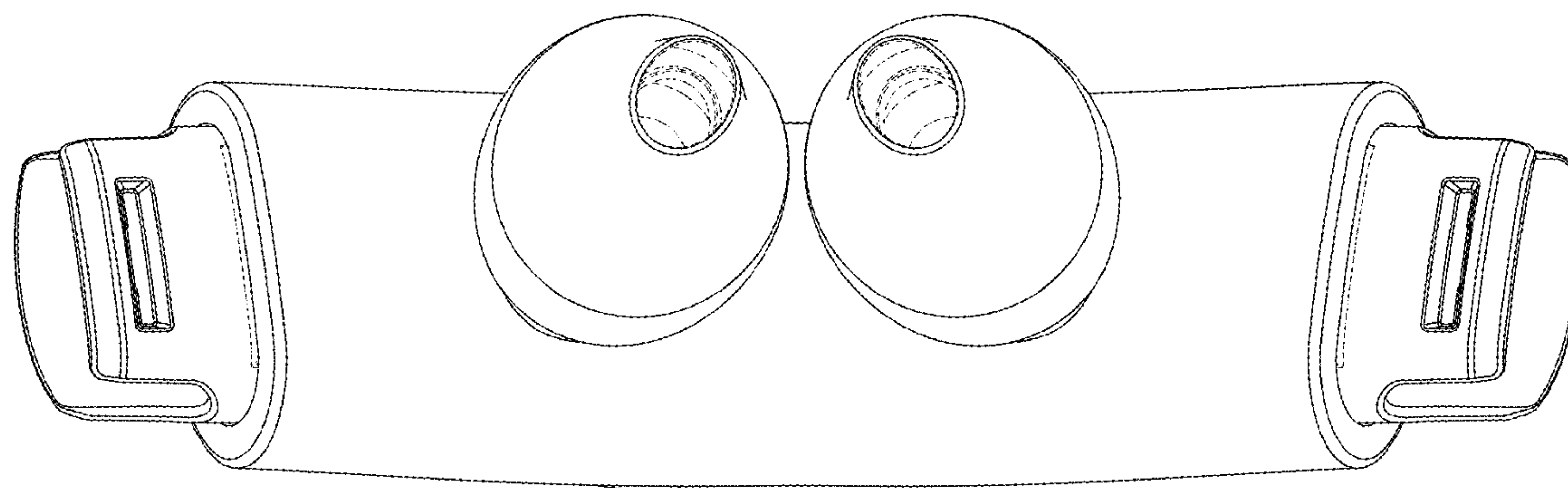


FIG. 54

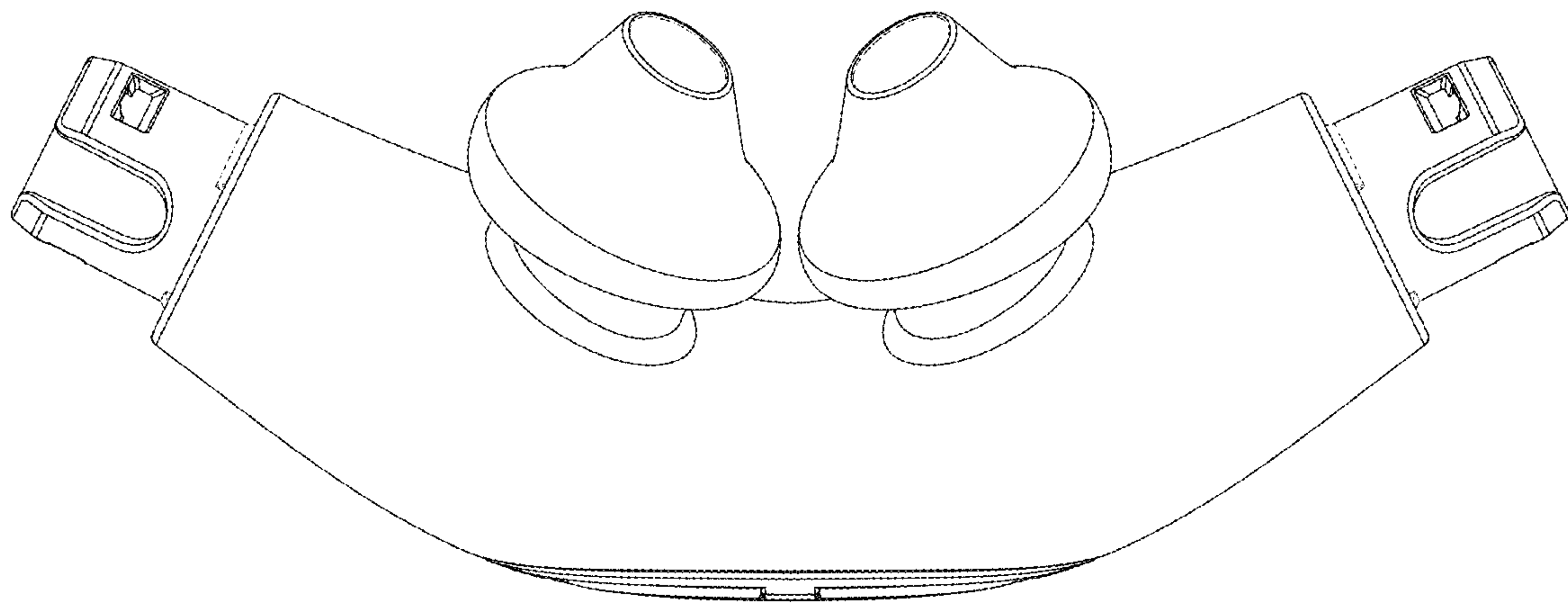


FIG. 55

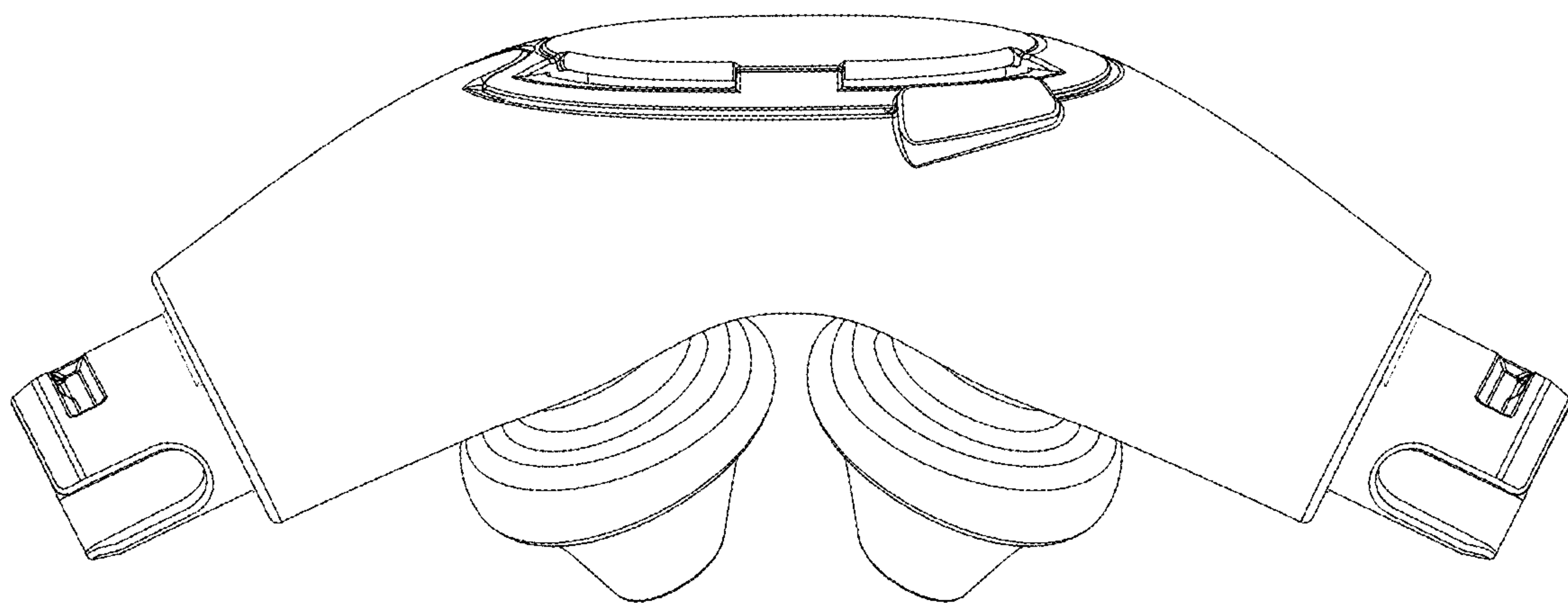


FIG. 56

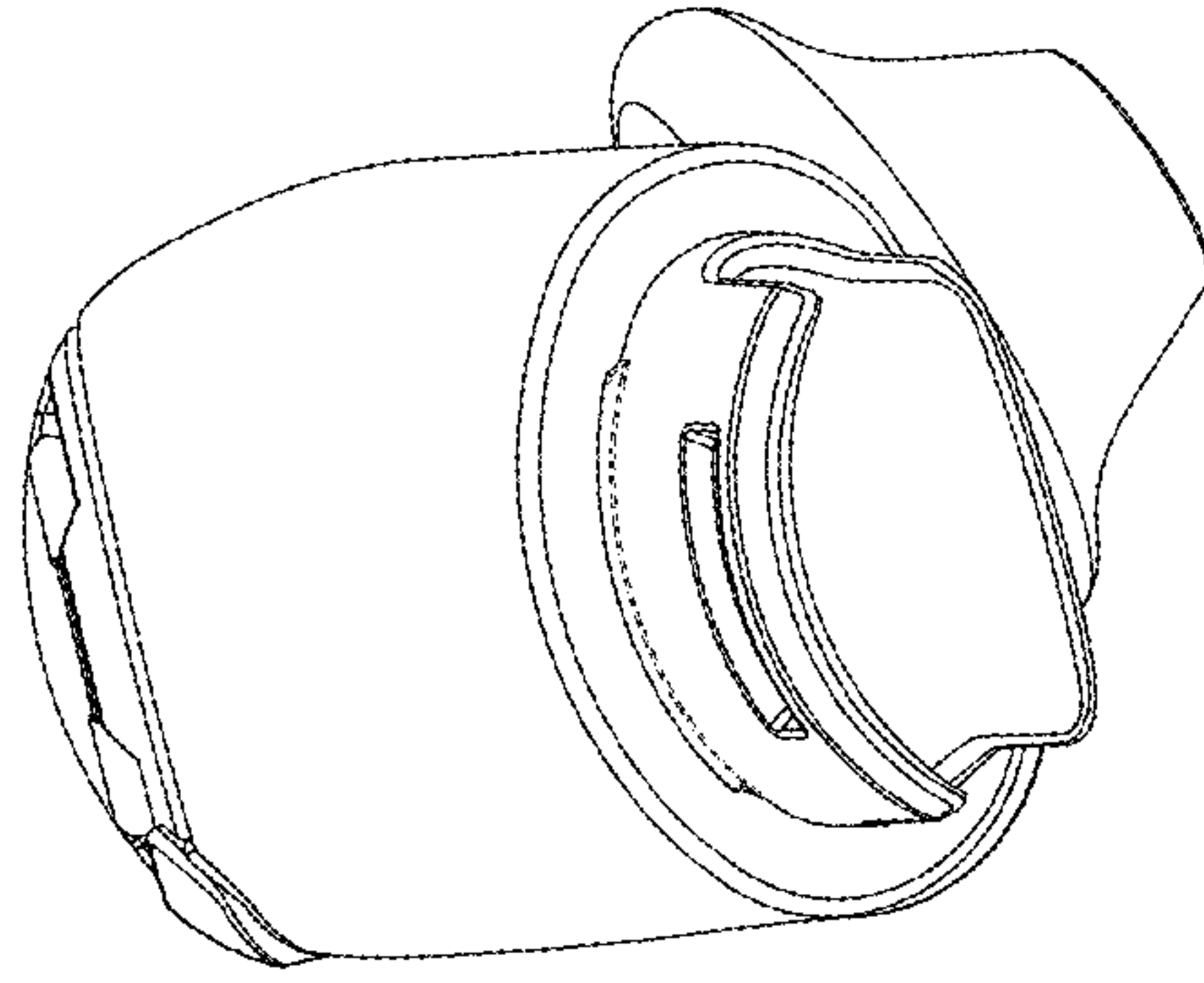


FIG. 57

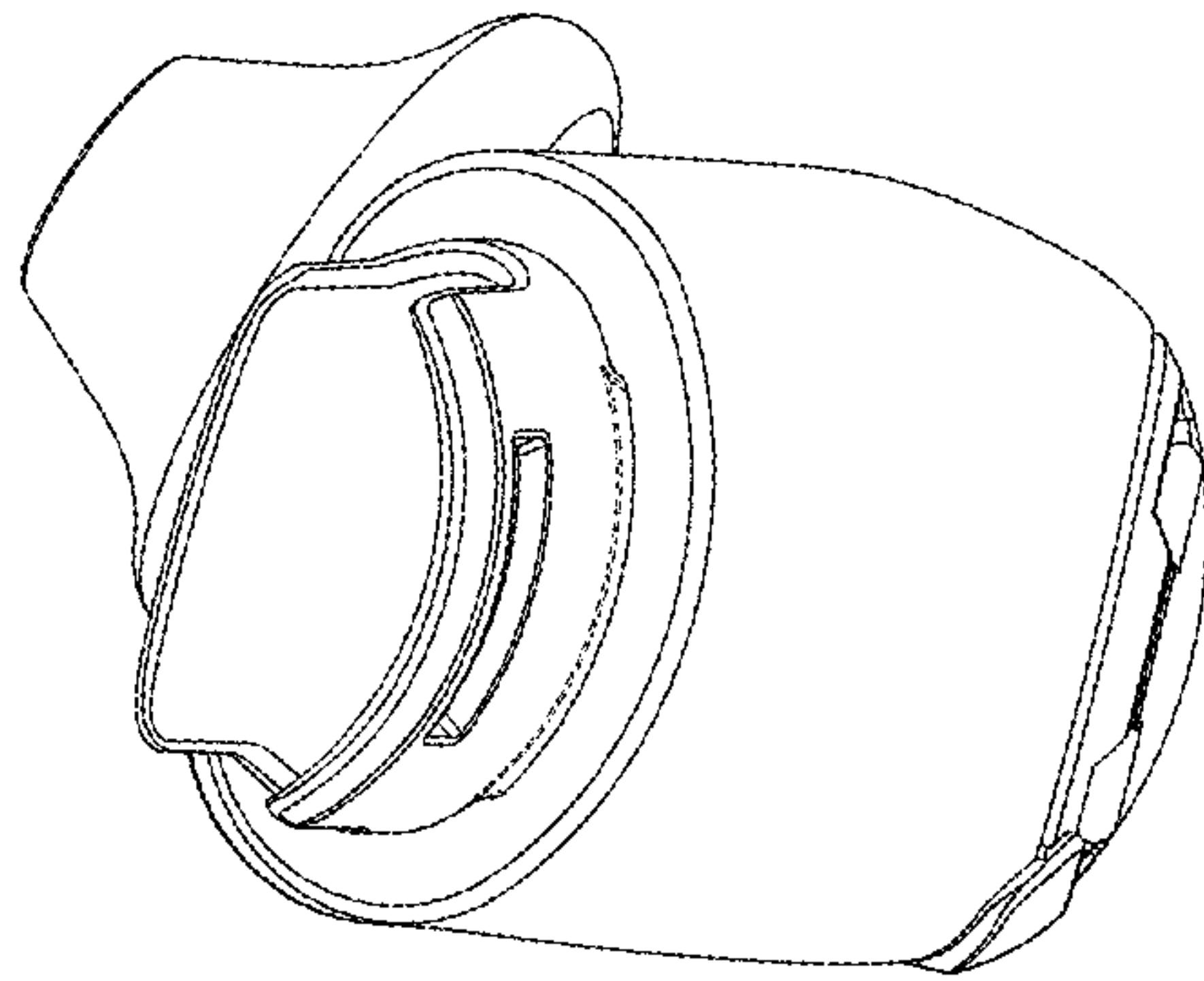


FIG. 58