



US00D980409S

(12) **United States Design Patent** (10) **Patent No.:** **US D980,409 S**  
**Gauss et al.** (45) **Date of Patent:** **\*\* Mar. 7, 2023**

(54) **FAN WHEEL**  
(71) Applicant: **ZIEHL-ABEGG SE**, Künzelsau (DE)  
(72) Inventors: **Tobias Gauss**, Niedernhall (DE);  
**Daniel Seifried**, Schwäbisch Hall (DE);  
**Thomas Bitz**, Künzelsau (DE); **Sven Lönne**, Obersulm-Willsbach (DE);  
**Frieder Lörcher**, Braunsbach (DE);  
**Georg Hofmann**, Tauberbischofsheim (DE)

D595,401 S \* 6/2009 Sturm ..... D23/377  
D606,647 S \* 12/2009 Sturm ..... D23/377  
8,128,372 B2 \* 3/2012 Best ..... F04D 29/34  
416/219 R  
D728,090 S \* 4/2015 Haaf ..... D23/370  
D733,861 S \* 7/2015 Haaf ..... D23/370  
D779,048 S \* 2/2017 Hoss ..... D23/370  
D804,647 S \* 12/2017 Chang ..... D23/413  
D810,911 S \* 2/2018 Hoss ..... D23/370  
10,527,058 B2 \* 1/2020 Kim ..... F04D 29/329  
10,605,269 B2 \* 3/2020 Stadler ..... F04D 29/328  
D884,874 S \* 5/2020 Meng ..... F04D 29/384  
D23/413  
10,975,873 B2 \* 4/2021 Seifried ..... F04D 19/002  
11,035,233 B2 \* 6/2021 Gauss ..... F04D 29/384

(73) Assignee: **Ziehl-Abegg Se**, Künzelsau (DE)

(\*\*) Term: **15 Years**

(21) Appl. No.: **29/704,806**

(22) Filed: **Sep. 6, 2019**

(30) **Foreign Application Priority Data**

Mar. 7, 2019 (EM) ..... 006293130

(51) **LOC (14) Cl.** ..... **23-03**

(52) **U.S. Cl.**  
USPC ..... **D23/413; D23/370**

(58) **Field of Classification Search**  
USPC ..... D23/328, 332, 333, 335-337, 341, 351,  
D23/352, 354, 370-383, 385, 411-414  
CPC .. F04D 25/084; F04D 25/086; F04D 25/0673;  
F04D 29/646; F04D 25/08; F04D 29/32;  
F04D 29/52; F04D 29/324; F04D 29/38  
See application file for complete search history.

(56) **References Cited**

**U.S. PATENT DOCUMENTS**

D594,104 S \* 6/2009 Sturm ..... D23/377  
D594,105 S \* 6/2009 Sturm ..... D23/377  
D594,106 S \* 6/2009 Sturm ..... D23/377  
D594,108 S \* 6/2009 Sturm ..... D23/377  
D594,109 S \* 6/2009 Sturm ..... D23/377

(Continued)

**OTHER PUBLICATIONS**

Fan wheels, Ventilating fans, Registration No. 9006293130-0001, Application date Mar. 7, 2019, Date published Mar. 7, 2019, Publication Country GB, Site visited Dec. 28, 2021, available at www.orbit.com.\*

*Primary Examiner* — Sharon S Oum

(74) *Attorney, Agent, or Firm* — Venable LLP; Keith G. Haddaway.

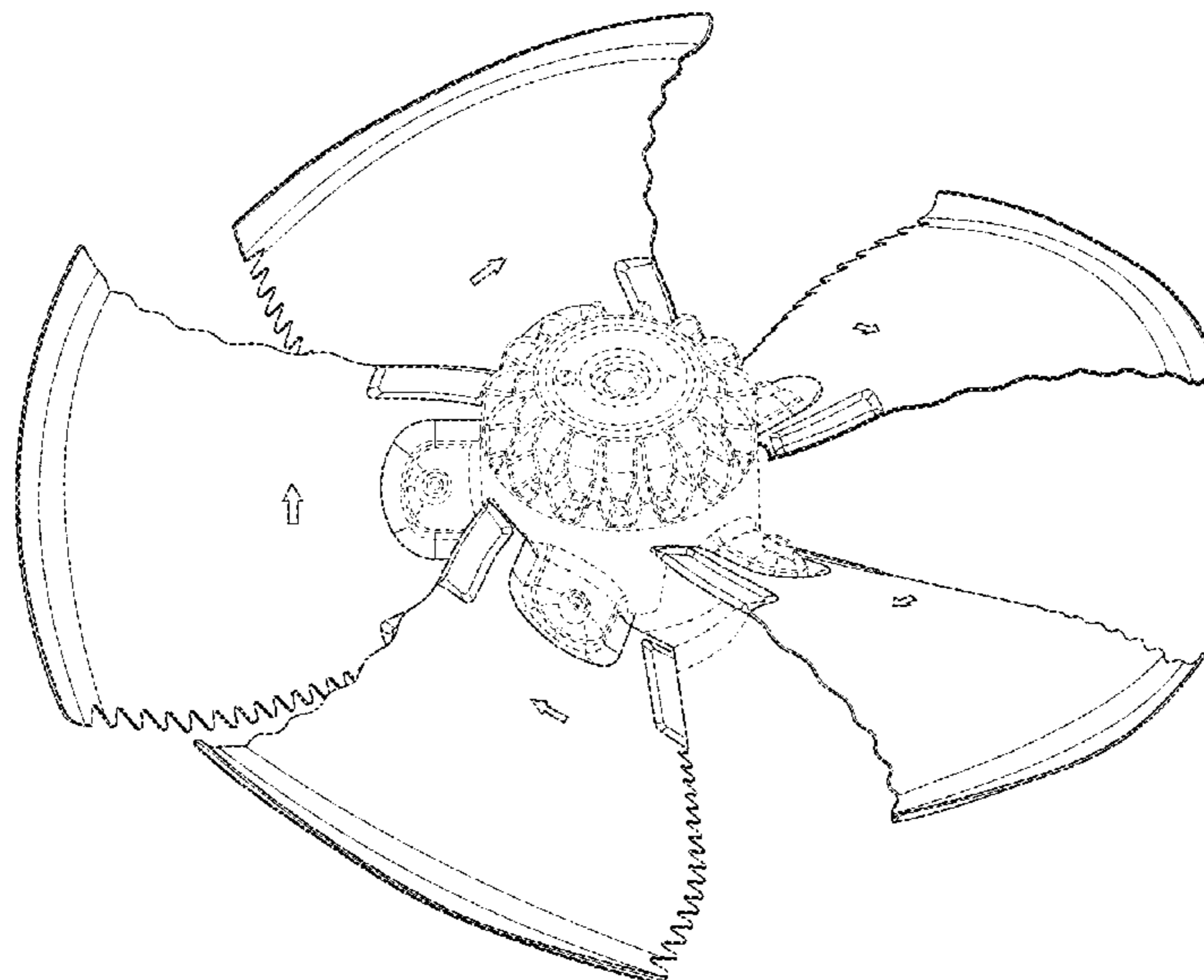
(57) **CLAIM**

The ornamental design for a fan wheel, as shown and described.

**DESCRIPTION**

FIG. 1 is a front view of a fan wheel of the present invention; FIG. 2 is a rear view thereof; FIG. 3 is a side view of a fan wheel thereof; FIG. 4 is a front perspective view thereof; and, FIG. 5 is a rear perspective view thereof. The broken lines illustrate portions of the fan wheel that form no part of the claimed design.

**1 Claim, 5 Drawing Sheets**



(56)

**References Cited**

U.S. PATENT DOCUMENTS

11,067,309 B2 \* 7/2021 Gauss ..... F04D 29/703  
11,204,039 B2 \* 12/2021 Gauss ..... F04D 25/064  
2010/0003140 A1 \* 1/2010 Best ..... F04D 29/329  
416/204 R  
2012/0171042 A1 \* 7/2012 Takeda ..... F04D 29/384  
416/223 R  
2013/0004349 A1 \* 1/2013 Haaf ..... F04D 29/703  
417/423.7  
2013/0022479 A1 \* 1/2013 Haaf ..... F04D 29/5813  
417/369  
2017/0350402 A1 \* 12/2017 Seifried ..... F04D 19/002  
2017/0356673 A1 \* 12/2017 Gauss ..... A01K 1/0052  
2018/0238343 A1 \* 8/2018 Nakashima ..... F04D 29/681  
2018/0274549 A1 \* 9/2018 Baer ..... F04D 29/325  
2018/0355885 A1 \* 12/2018 Kim ..... F24F 13/24  
2020/0284268 A1 \* 9/2020 Haaf ..... F04D 29/388  
2021/0340992 A1 \* 11/2021 Yuan ..... F04D 29/666

\* cited by examiner

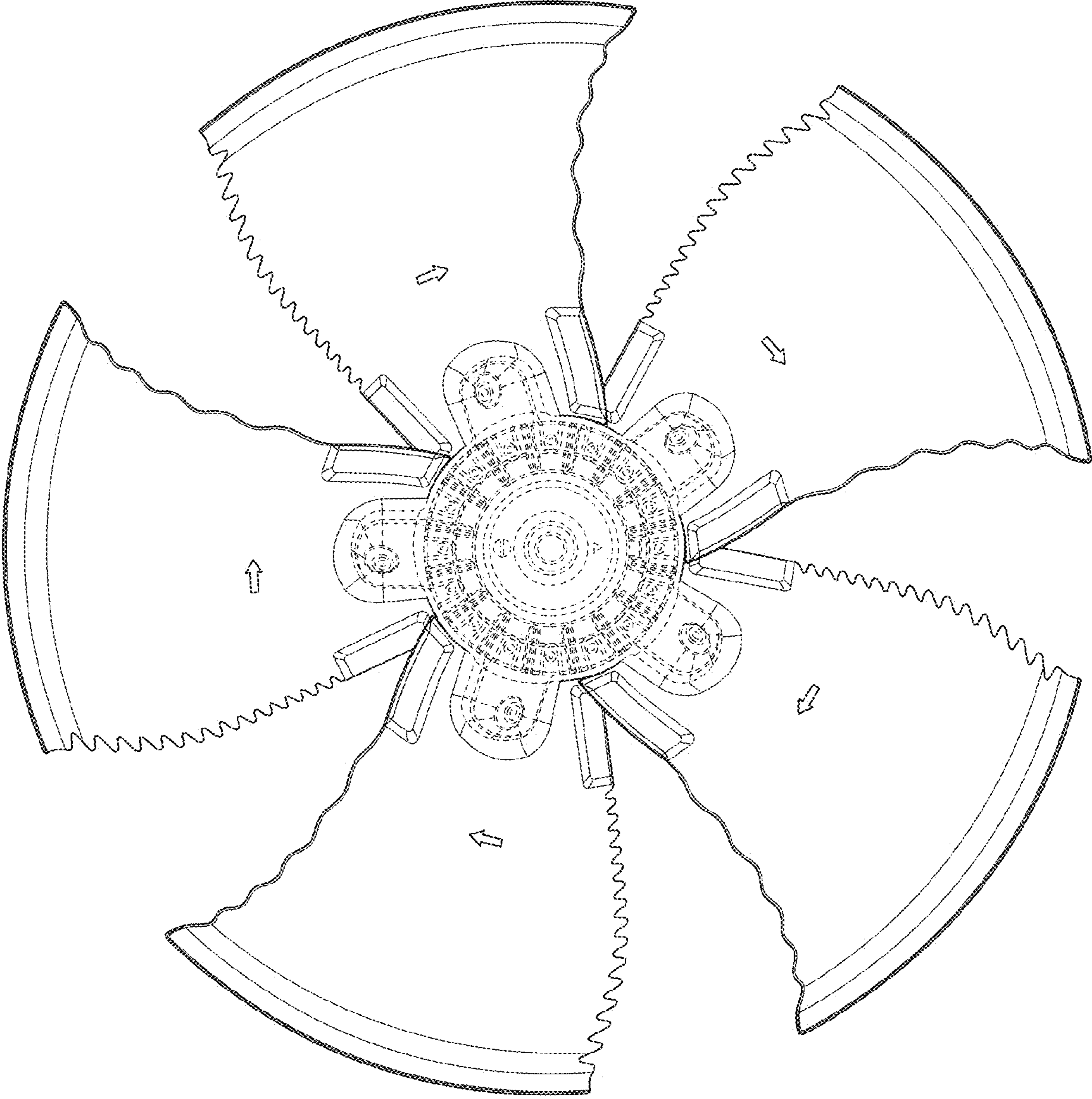


FIG. 1



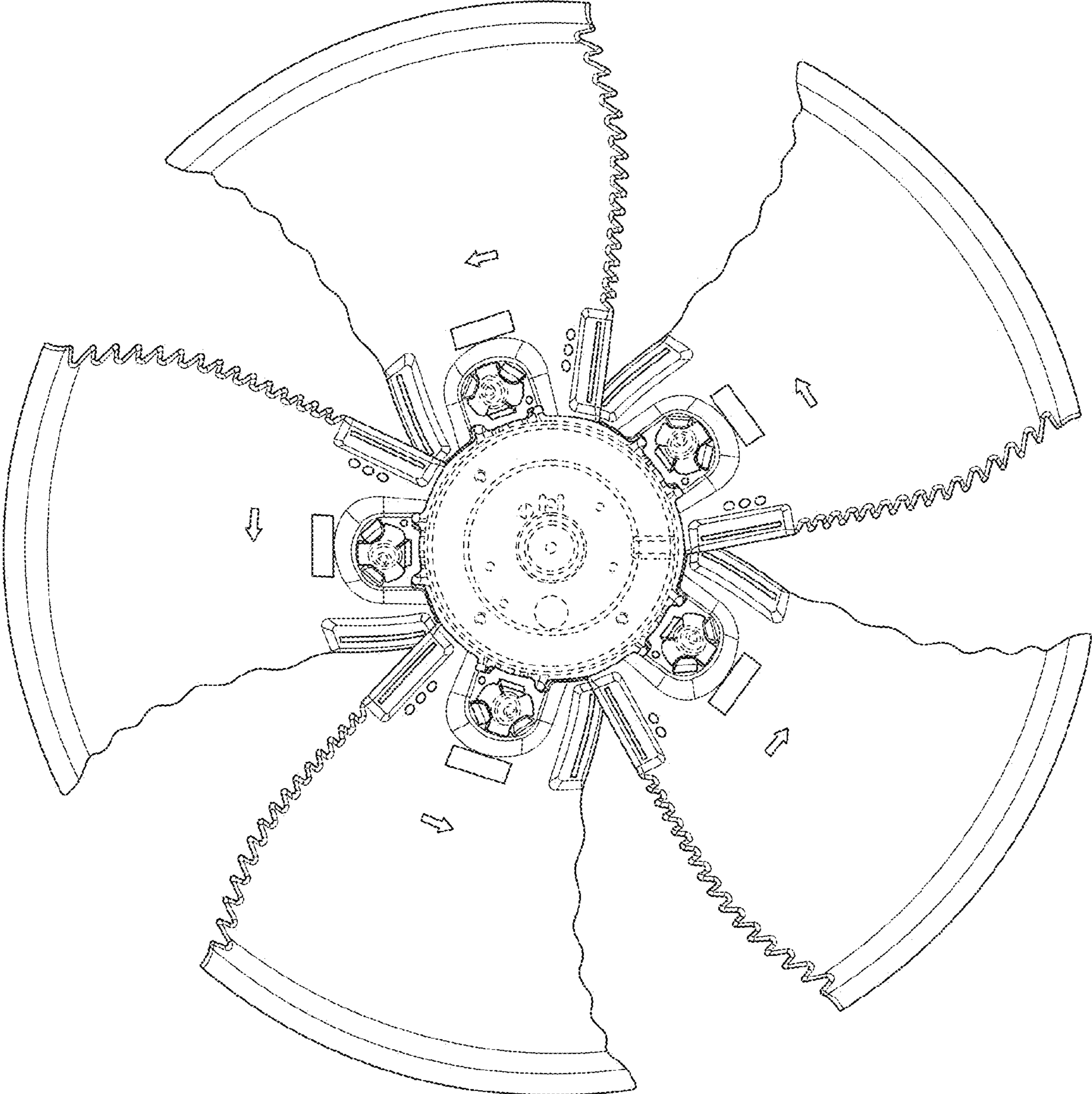


FIG. 2

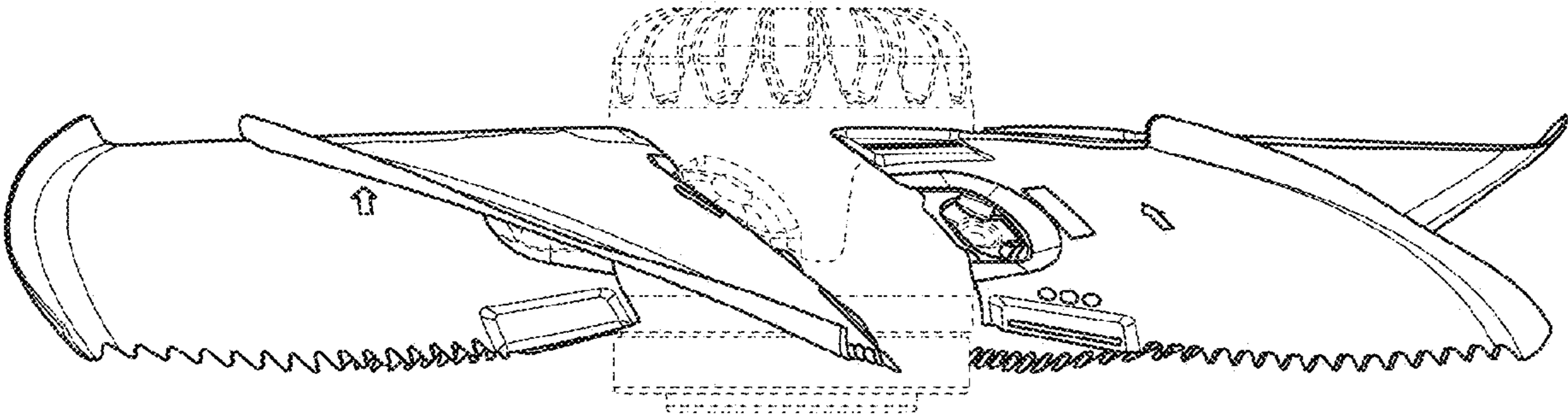


FIG. 3

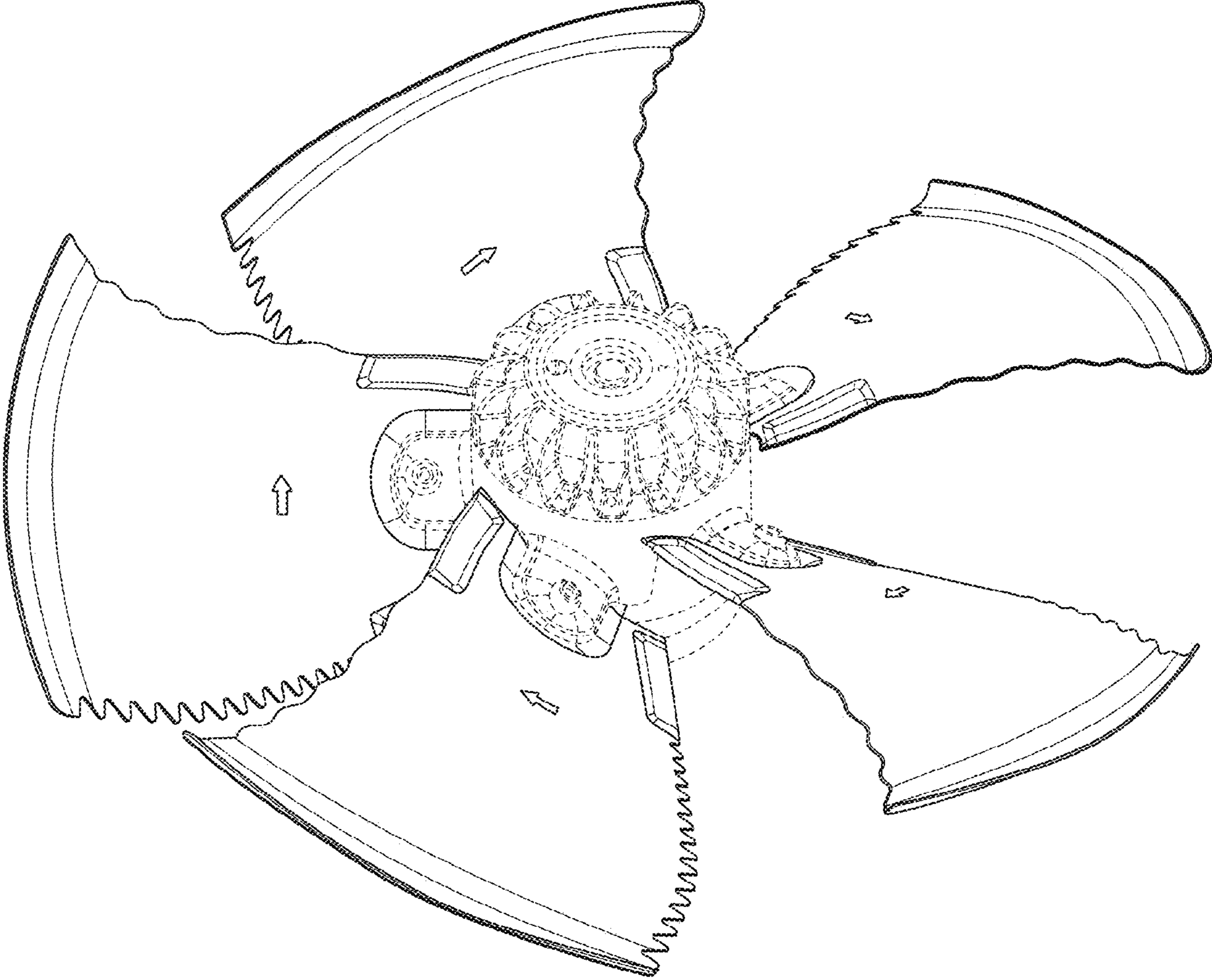


FIG. 4

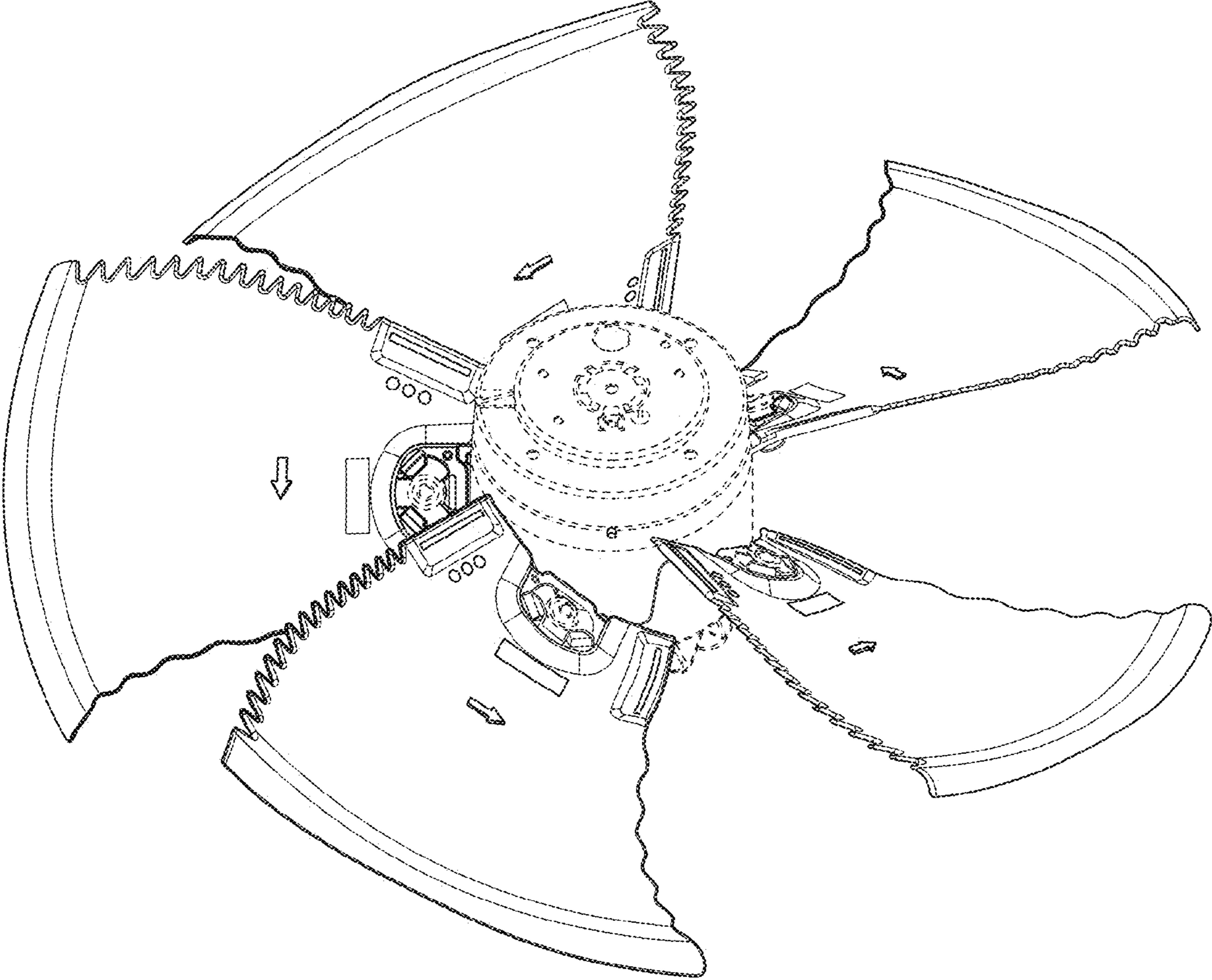


FIG. 5