



US00D980407S

(12) **United States Design Patent** (10) **Patent No.:** **US D980,407 S**
Hirsch et al. (45) **Date of Patent:** **** Mar. 7, 2023**

(54) **RECESSED CHILLED BEAM**

(71) Applicant: **Air Distribution Technologies IP, LLC**, Milwaukee, WI (US)

(72) Inventors: **Joachim Hirsch**, Colleyville, TX (US); **Honghui Zhang**, Richardson, TX (US); **Ernest Freeman**, Dallas, TX (US); **Keith Glasch**, Plano, TX (US); **Blake Robert Gallagher**, Seattle, WA (US); **Paul Sheppard Woolford**, San Francisco, CA (US); **Thomas Adam Kaczowski**, University City, MO (US)

(73) Assignee: **AIR DISTRIBUTION TECHNOLOGIES IP, LLC**, Milwaukee, WI (US)

(**) Term: **15 Years**

(21) Appl. No.: **29/722,432**

(22) Filed: **Jan. 29, 2020**

Related U.S. Application Data

(60) Continuation of application No. 29/605,064, filed on May 23, 2017, now Pat. No. Des. 875,916, which is a division of application No. 29/524,249, filed on Apr. 17, 2015, now Pat. No. Des. 807,495.

(51) **LOC (14) Cl.** **23-03**

(52) **U.S. Cl.**
USPC **D23/393**

(58) **Field of Classification Search**
USPC D23/323, 328, 333, 335-337, 341, 352, D23/357, 370, 385, 386, 388, 391-395, D23/397, 399, 400, 406, 411, 413, 499; D25/126-135; D26/59, 74, 88, 89
CPC A42B 1/04; B24B 37/04; B25B 15/001; B60Q 1/04; B60Q 1/26; B64D 13/00; B64D 13/02; B64C 2001/009; B64C 11/04; B64C 11/16; B64C 11/18; B64C 11/20; E04C 2/427; E04F 17/00; E06B

3/5892; E21F 1/04; F03D 3/062; F03D 11/04; F04D 19/002; F04D 25/068; F04D 25/088; F01P 1/02; F22B 1/1876; F22B 1/22; F22B 3/04; F24F 1/0018; G10D 3/006; G10D 13/023; G10D 13/027; G10H 3/143; G10H 3/181; G10G 5/005; H01R 13/5213

See application file for complete search history.

(56) **References Cited**

U.S. PATENT DOCUMENTS

D197,508 S	2/1964	Berg	
D544,987 S *	6/2007	Hargreaves	D26/88
D561,383 S *	2/2008	Hukle	D26/120
D618,332 S *	6/2010	Kimura	D26/77
D618,783 S *	6/2010	Kimura	D26/77
D619,699 S *	7/2010	Kimura	D23/388

(Continued)

Primary Examiner — Eric L Goodman

Assistant Examiner — Bobby W Jones, II

(74) *Attorney, Agent, or Firm* — Fletcher Yoder, PC

(57) **CLAIM**

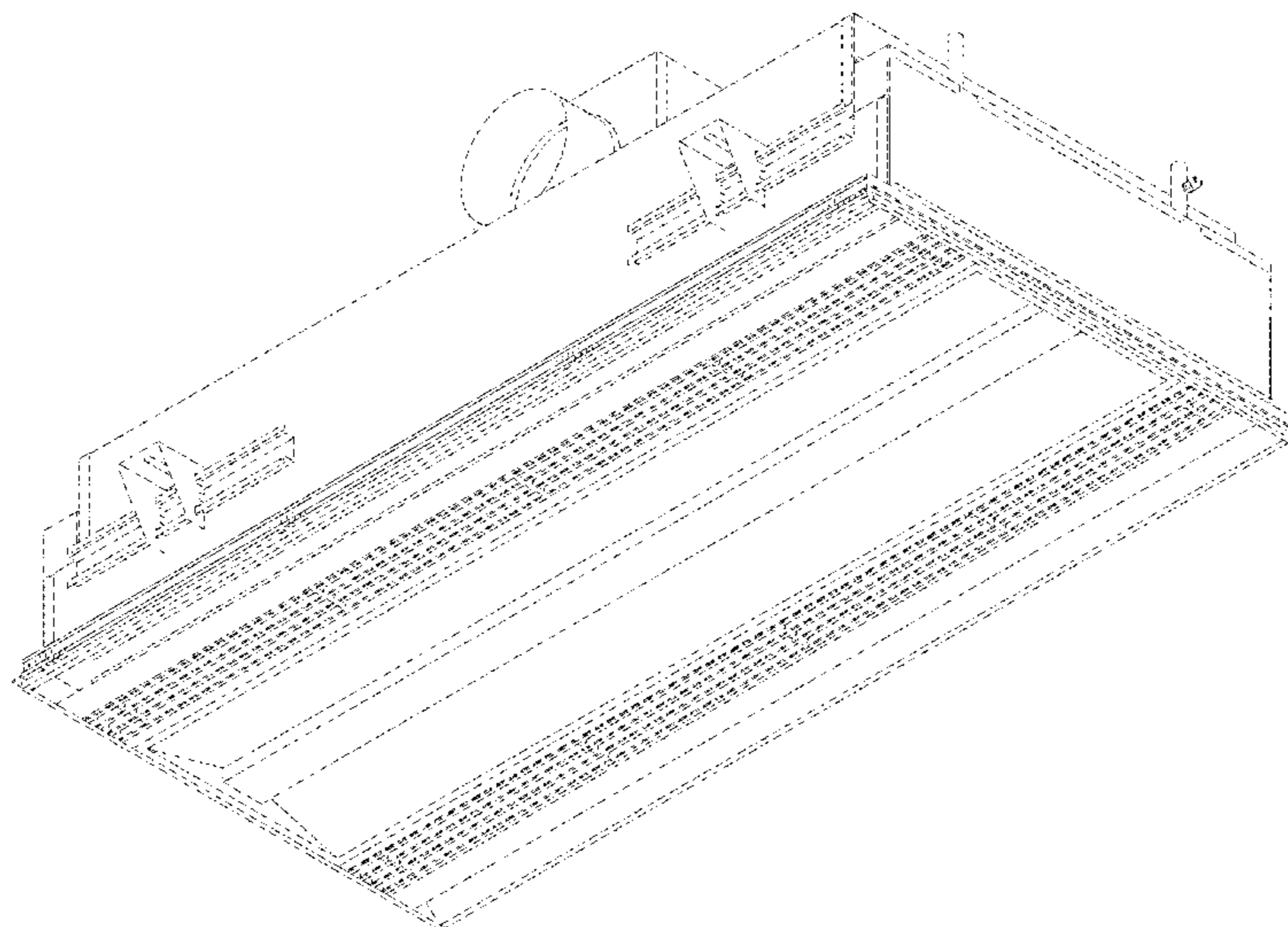
The ornamental design for a recessed chilled beam, as shown and described.

DESCRIPTION

FIG. 1 is an isometric view of a first embodiment of a recessed chilled beam, showing our new design; FIG. 2 is a left elevation view thereof; FIG. 3 is a right elevation view thereof; FIG. 4 is a rear elevation view thereof; FIG. 5 is a front elevation view thereof; FIG. 6 is a top view thereof; FIG. 7 is a bottom view thereof; and, FIG. 8 is an isometric view of a second embodiment of a recessed chilled beam.

The broken lines illustrate portions of the recessed chilled beam that form no part of the claimed design.

1 Claim, 7 Drawing Sheets



(56)

References Cited

U.S. PATENT DOCUMENTS

D629,883	S	*	12/2010	Kimura	D23/388
D646,012	S	*	9/2011	Irvine	D26/74
8,342,233	B2		1/2013	Kjellerstedt et al.		
D684,676	S	*	6/2013	Funnell, II	D23/372
D697,190	S	*	1/2014	Ainley	D23/323
D714,927	S	*	10/2014	Urano	D23/388
D714,928	S		10/2014	Urano		
D761,477	S		7/2016	Guercio et al.		
D767,795	S	*	9/2016	Bucarizza	D25/126
D799,655	S		10/2017	Hirsch et al.		
D802,817	S		11/2017	Lewis et al.		
D805,177	S	*	12/2017	Urano	D23/388
D805,179	S		12/2017	Urano		
D805,180	S	*	12/2017	Urano	D23/388
D805,181	S	*	12/2017	Urano	D23/388
D806,854	S	*	1/2018	Urano	D23/388
D806,855	S	*	1/2018	Urano	D23/388
D807,495	S		1/2018	Hirsch et al.		
D875,915	S	*	2/2020	Hirsch	D23/393
D875,916	S	*	2/2020	Hirsch	D23/393
D878,542	S	*	3/2020	Urano	D23/388
D879,286	S	*	3/2020	Urano	D23/388
D879,939	S	*	3/2020	Urano	D23/388
D880,669	S	*	4/2020	Urano	D23/351
D886,262	S	*	6/2020	Urano	D23/351
D886,263	S	*	6/2020	Urano	D23/351
D886,264	S	*	6/2020	Urano	D23/351
D886,972	S	*	6/2020	Urano	D23/351
D893,072	S	*	8/2020	Niemiec	D26/59
D918,373	S	*	5/2021	Urano	D23/388
D922,648	S	*	6/2021	Wilson	D26/76
D936,276	S	*	11/2021	Carskadon	D26/142
D952,934	S	*	5/2022	Stanley	D26/118
D954,249	S	*	6/2022	O'Mara	D23/393

* cited by examiner

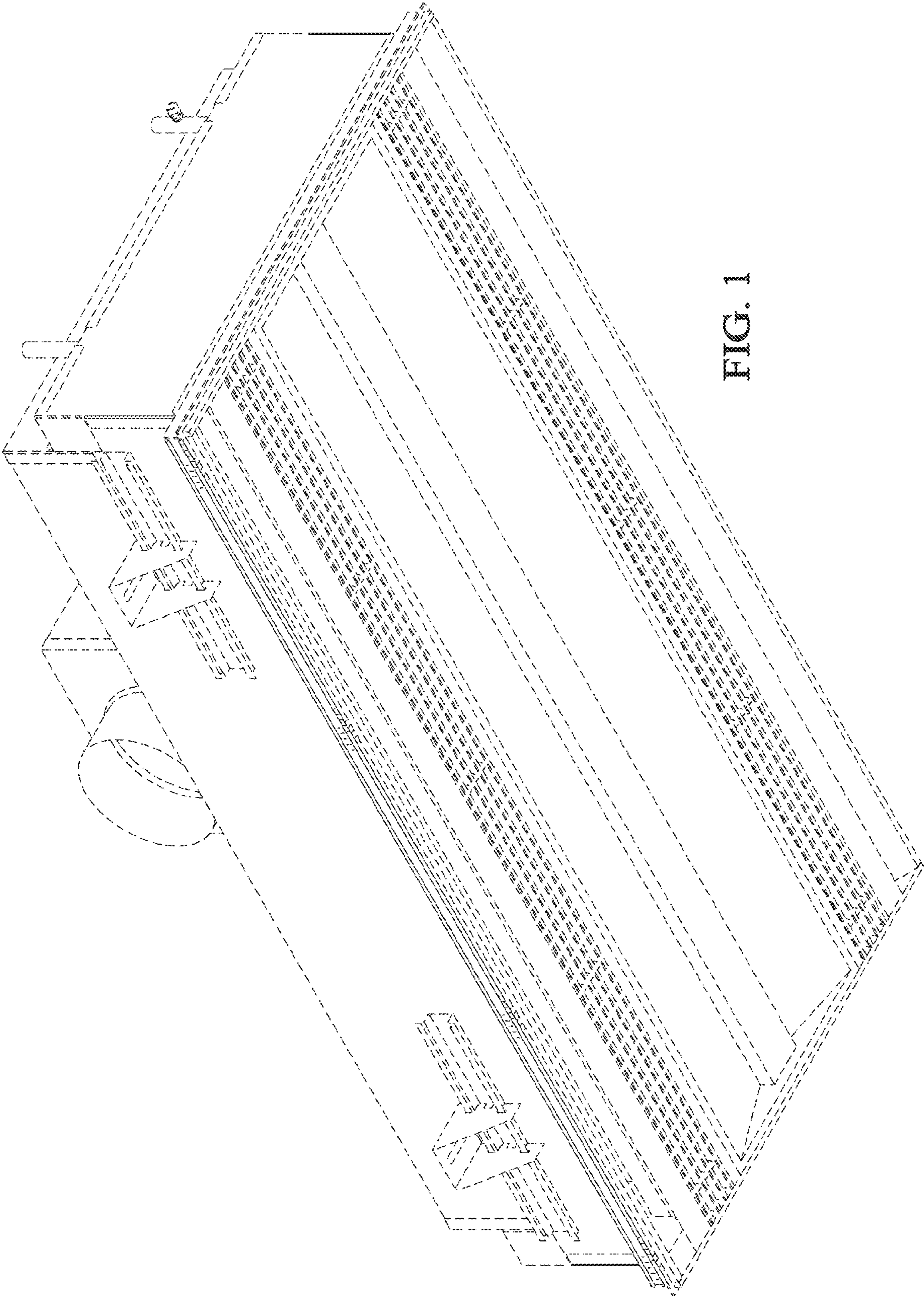


FIG. 1

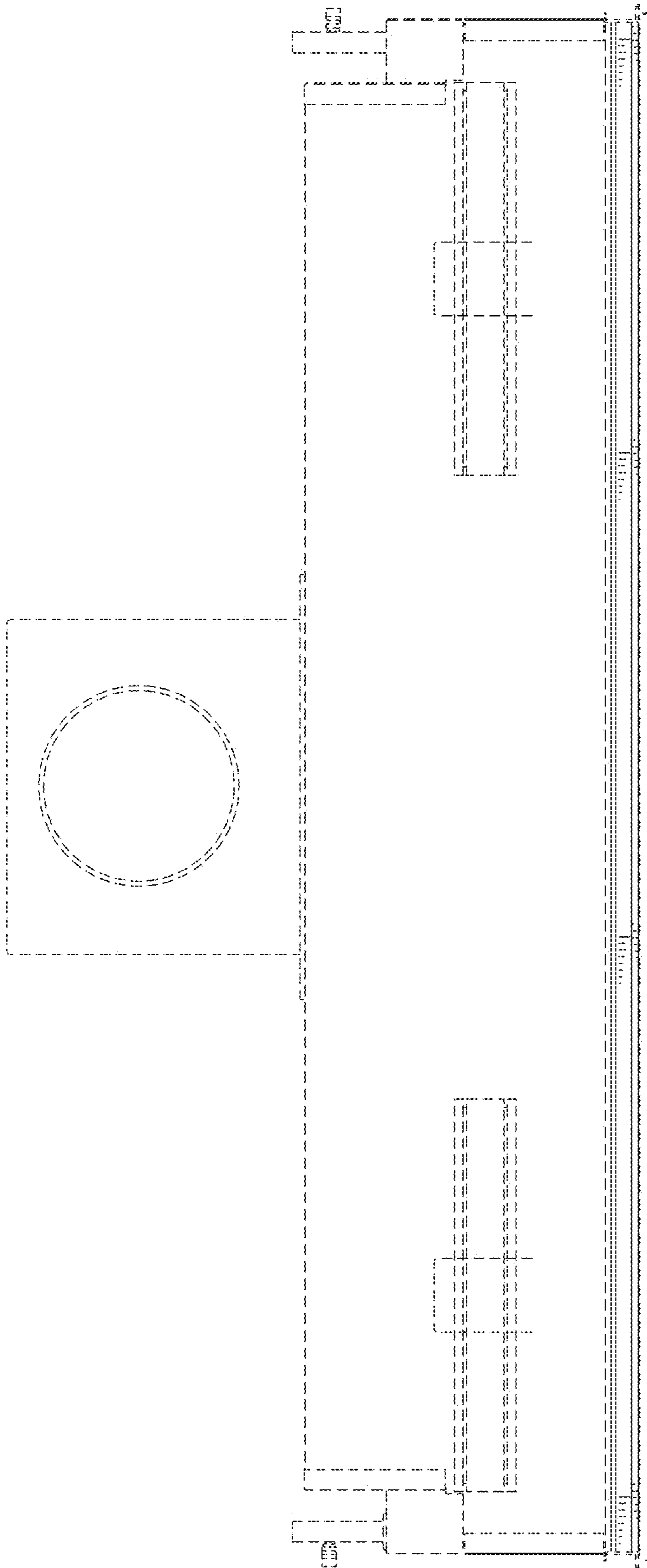


FIG. 2

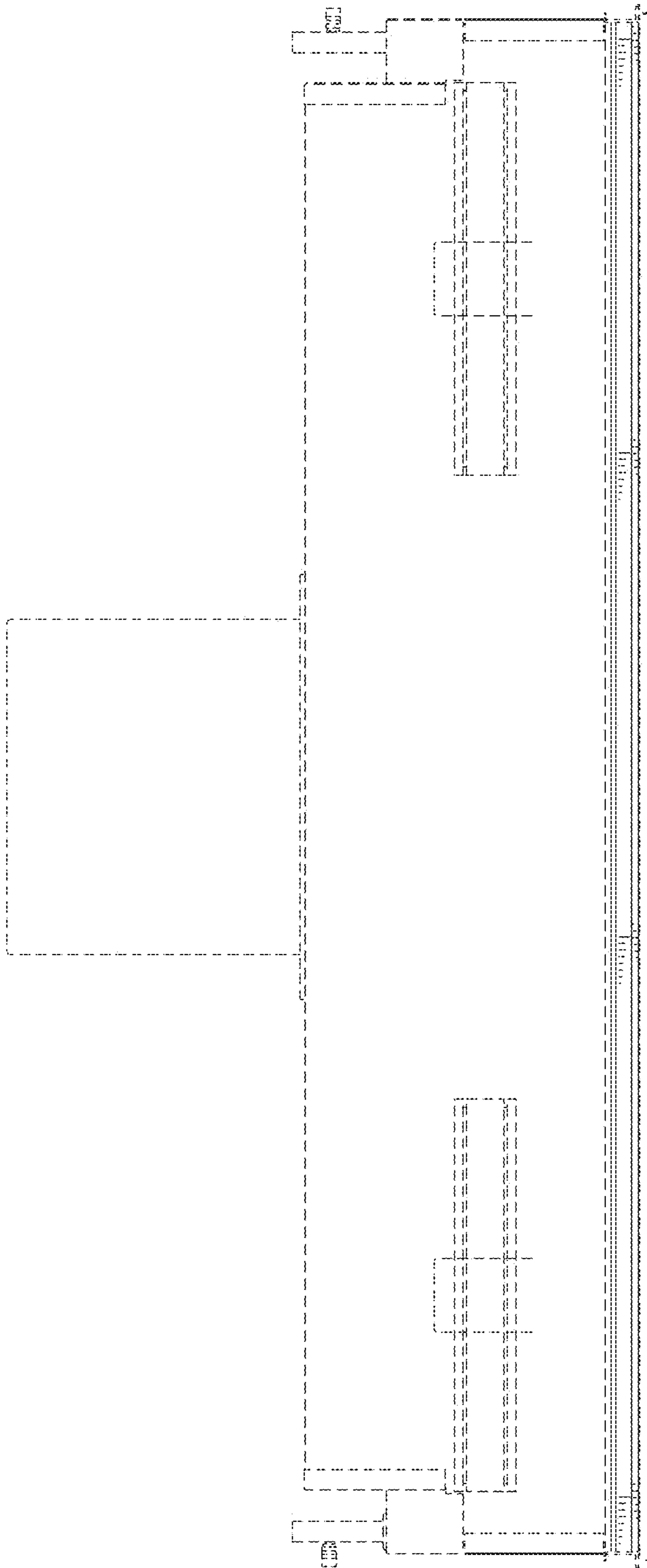


FIG. 3

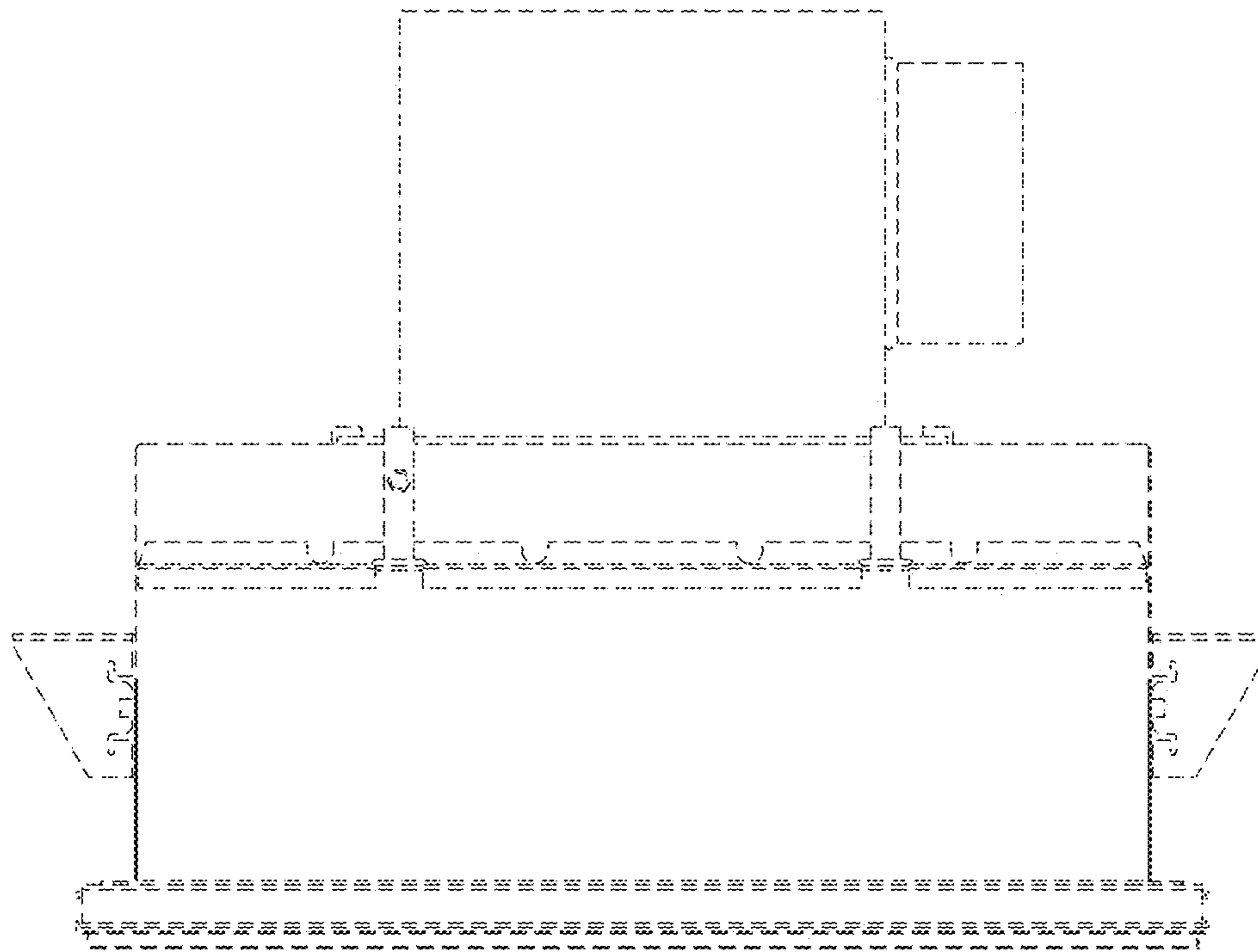


FIG. 4

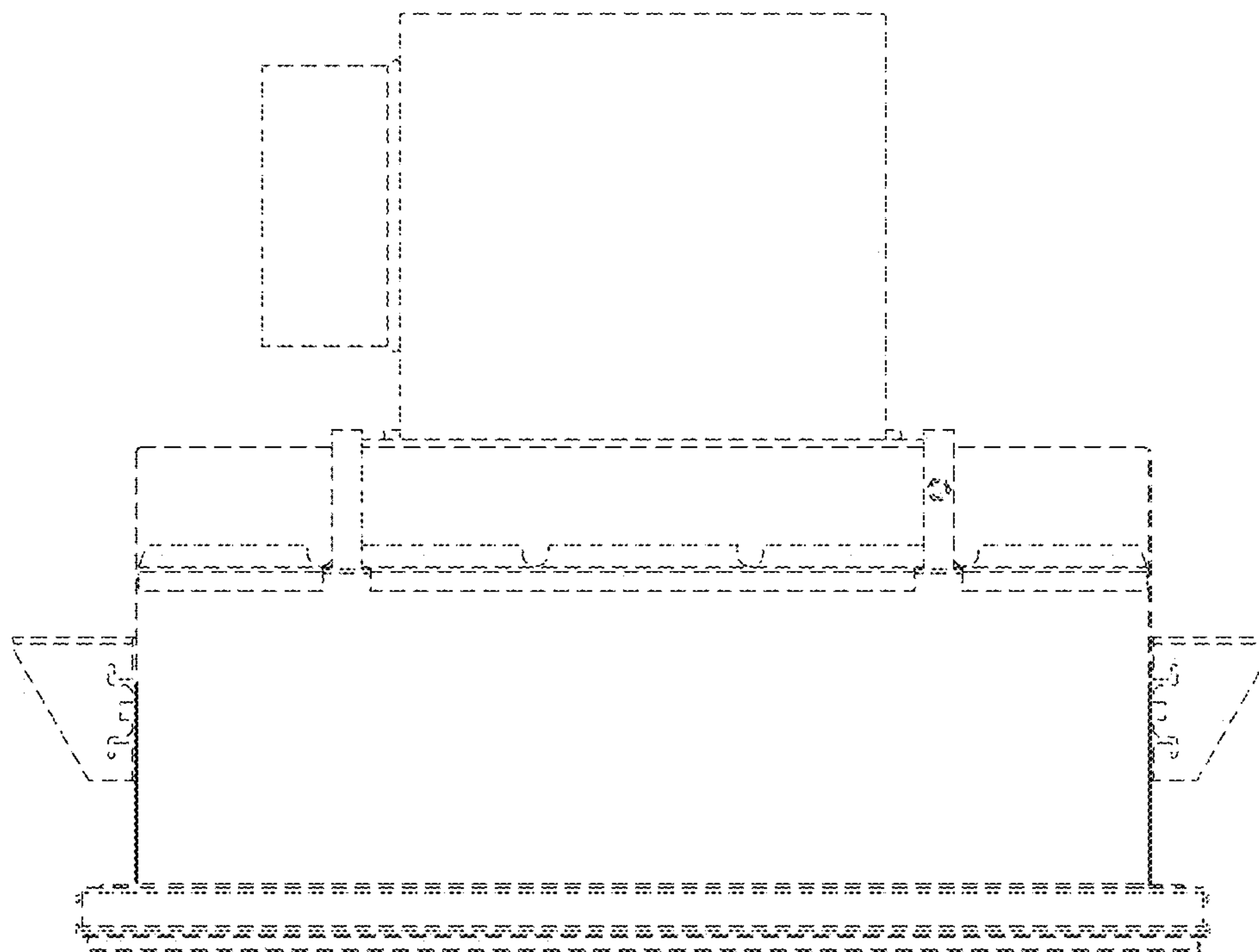


FIG. 5

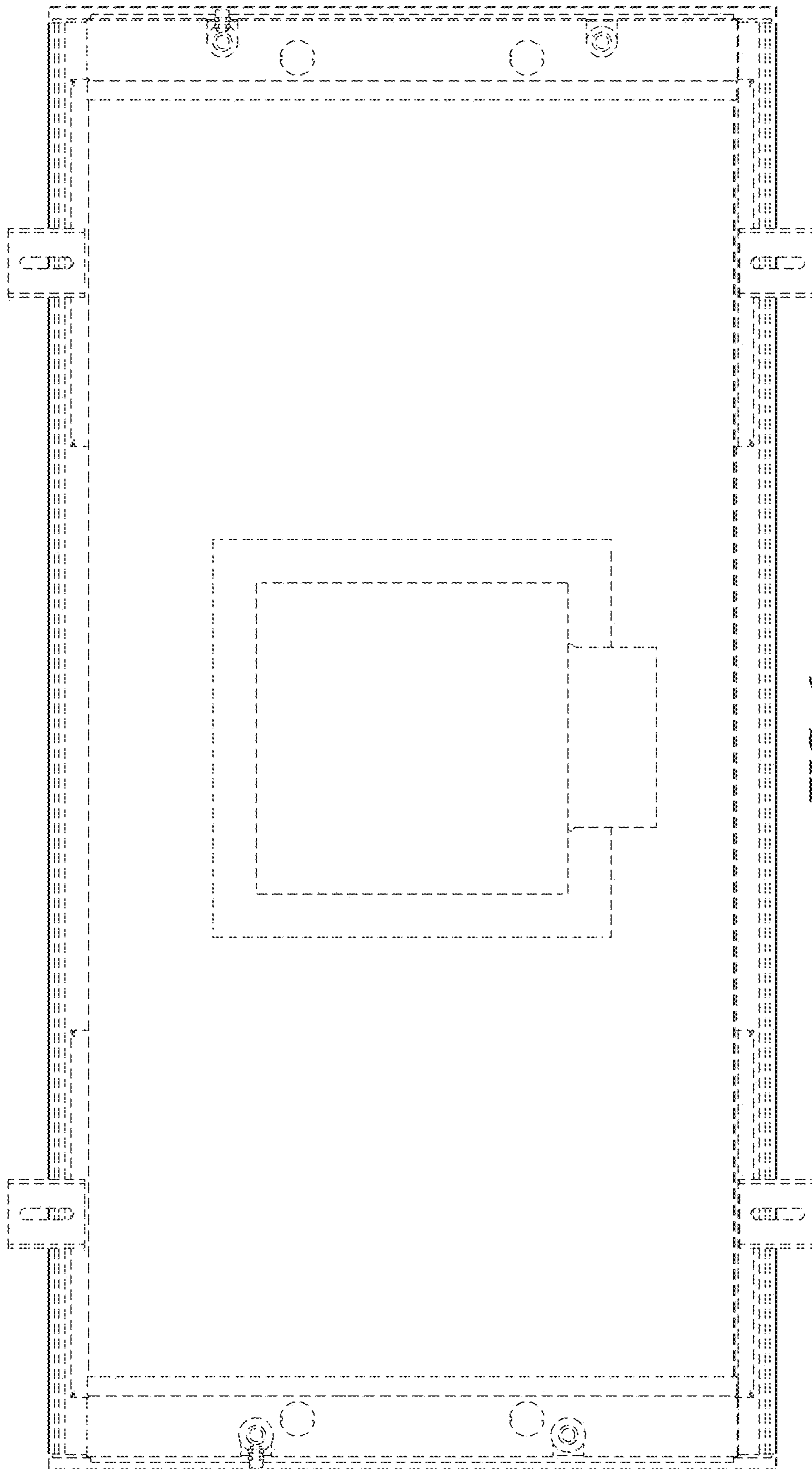


FIG. 6

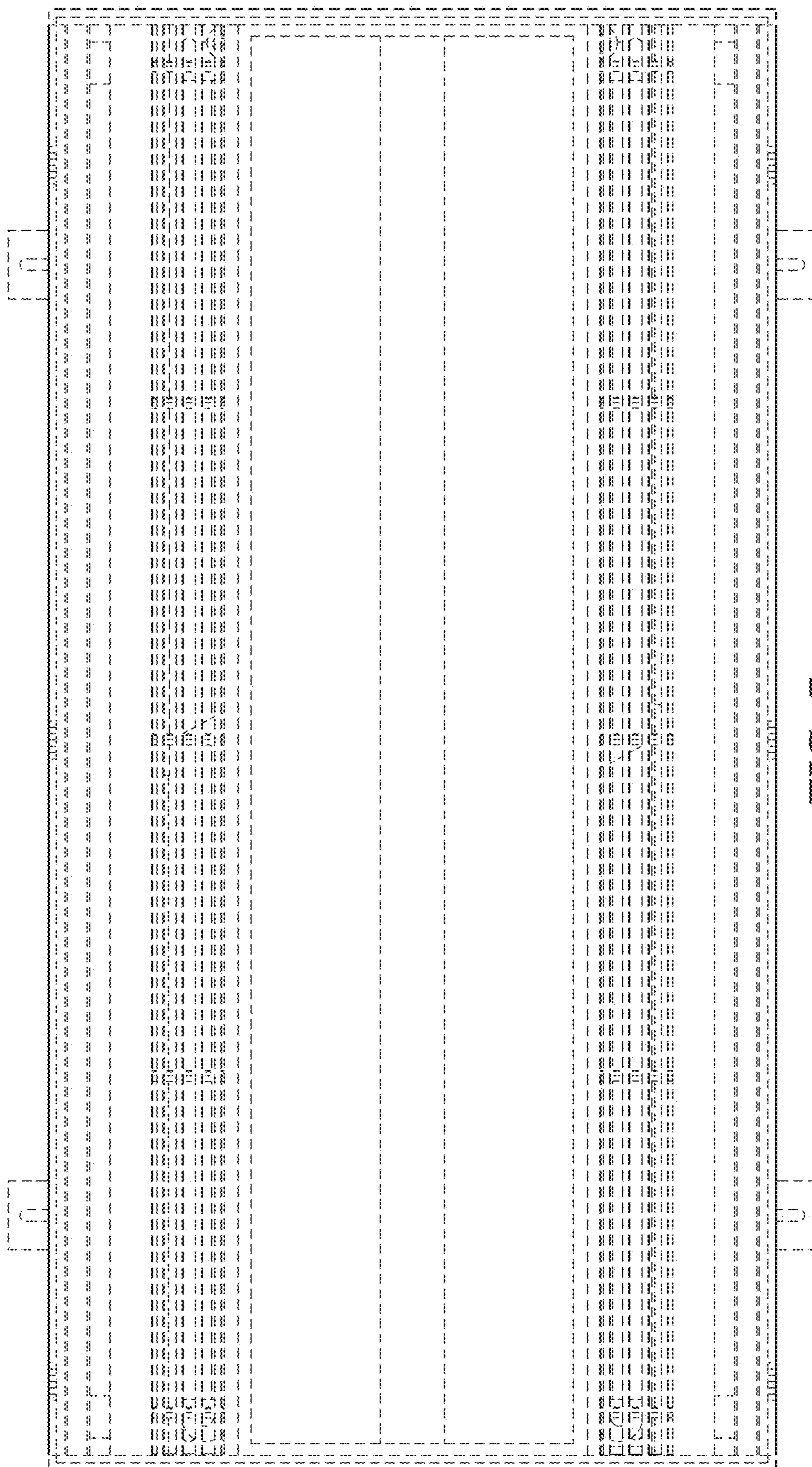


FIG. 7

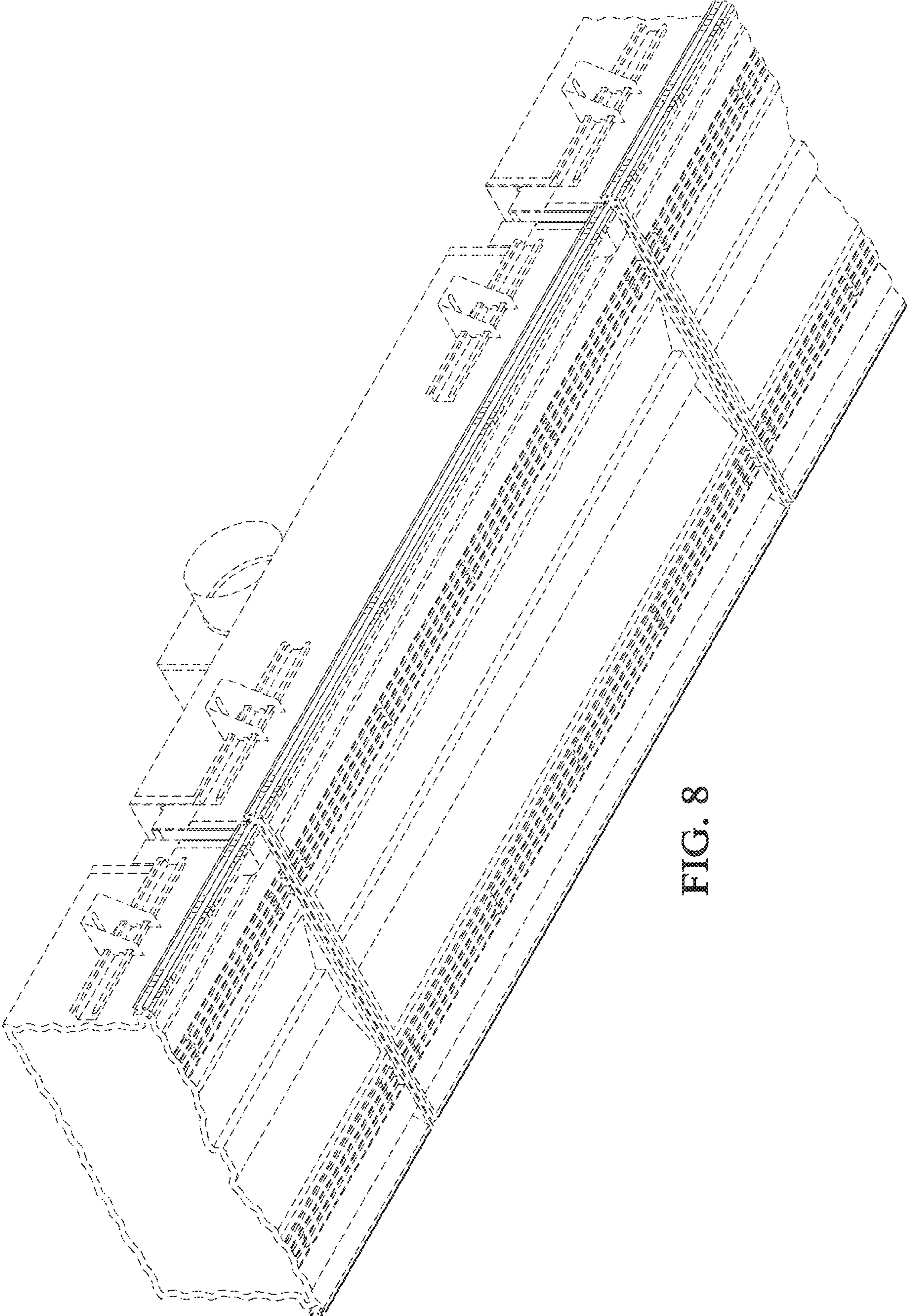


FIG. 8