



US00D980406S

(12) **United States Design Patent**
Dalton et al.

(10) **Patent No.:** **US D980,406 S**
(45) **Date of Patent:** **** Mar. 7, 2023**

- (54) **FAN**
- (71) Applicant: **DELTA T, LLC**, Lexington, KY (US)
- (72) Inventors: **Daniel Dalton**, Lexington, KY (US);
Steven Green, Danville, KY (US);
Michael Smith, Lexington, KY (US)
- (73) Assignee: **DELTA T, LLC**, Lexington, KY (US)
- (**) Term: **15 Years**
- (21) Appl. No.: **29/726,227**
- (22) Filed: **Mar. 2, 2020**
- (51) **LOC (14) Cl.** **23-04**
- (52) **U.S. Cl.**
USPC **D23/382**
- (58) **Field of Classification Search**
USPC D23/332, 333, 335, 336, 337, 351-352,
D23/370, 371, 378-383, 411-414
CPC F04D 25/0673; F04D 25/08; F04D 25/084;
F04D 29/4226
See application file for complete search history.

(56) **References Cited**

U.S. PATENT DOCUMENTS

- D161,260 S * 12/1950 Greene D23/385
- D327,947 S * 7/1992 Clark D23/382
- D575,387 S * 8/2008 Zakula D23/371

- D577,805 S * 9/2008 Adrian D23/371
- D650,893 S * 12/2011 Fizer D23/382
- D676,953 S 2/2013 Holler et al.
- D811,575 S * 2/2018 Fizer D23/382
- D829,879 S * 10/2018 Coffman, III D23/382
- D835,253 S * 12/2018 Hildago D23/385
- D838,832 S * 1/2019 Yu D23/370
- 11,359,643 B2 * 6/2022 Seasholtz F04D 29/646
- 2018/0045220 A1 * 2/2018 He F04D 29/703

* cited by examiner

Primary Examiner — Sharon S Oum

(74) *Attorney, Agent, or Firm* — Dickinson Wright PLLC;
Andrew D. Dorisio

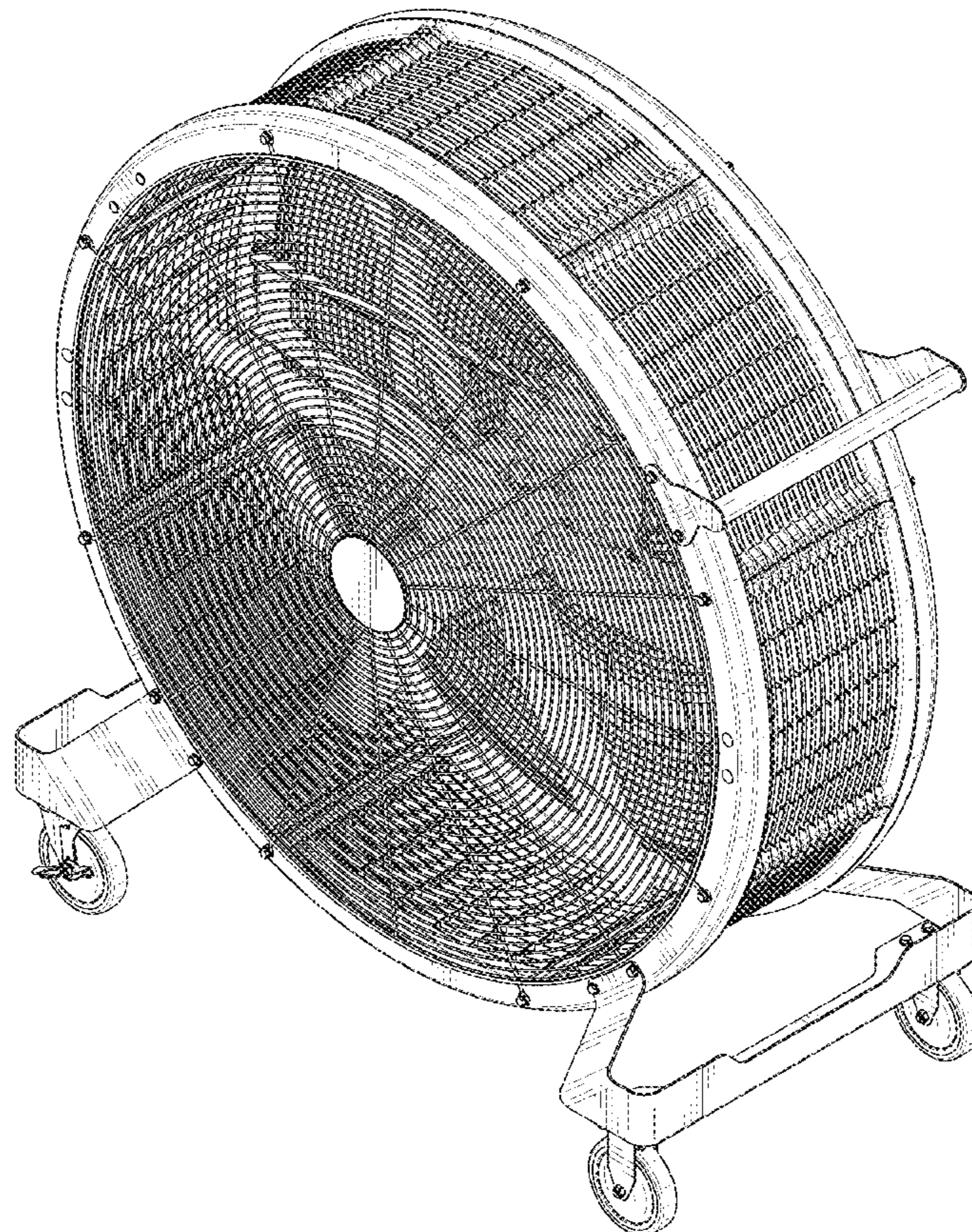
(57) **CLAIM**

The ornamental design for a fan, as shown and described.

DESCRIPTION

FIG. 1 is a top perspective view of a fan according to our new design;
 FIG. 2 is a bottom perspective view thereof;
 FIG. 3 is a front view thereof;
 FIG. 4 is a left view thereof;
 FIG. 5 is a rear view thereof;
 FIG. 6 is a right view thereof;
 FIG. 7 is a top view thereof; and,
 FIG. 8 is a bottom view thereof.
 The broken lines depict portions of the fan that form no part of the claimed design.

1 Claim, 8 Drawing Sheets



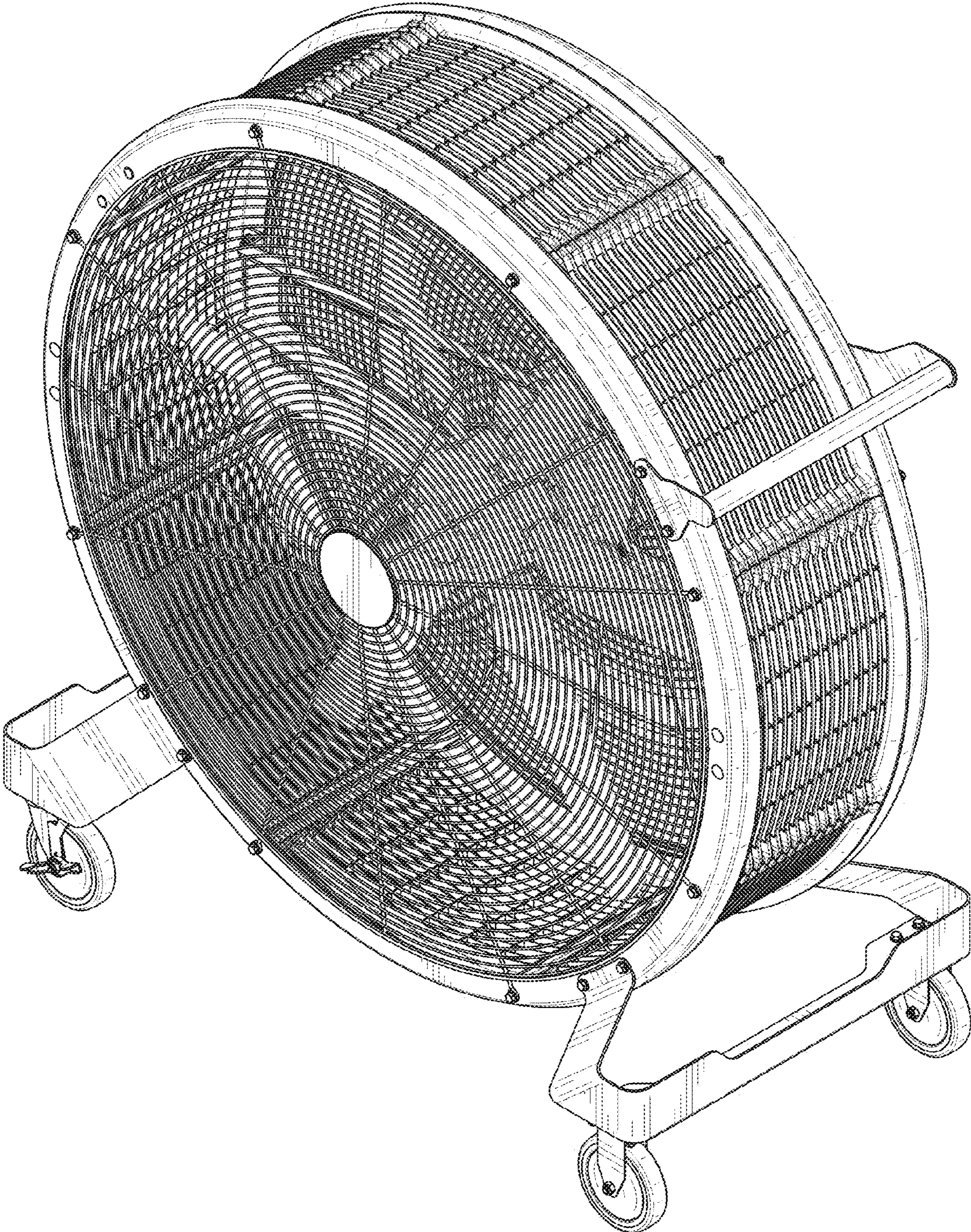


FIG. 1

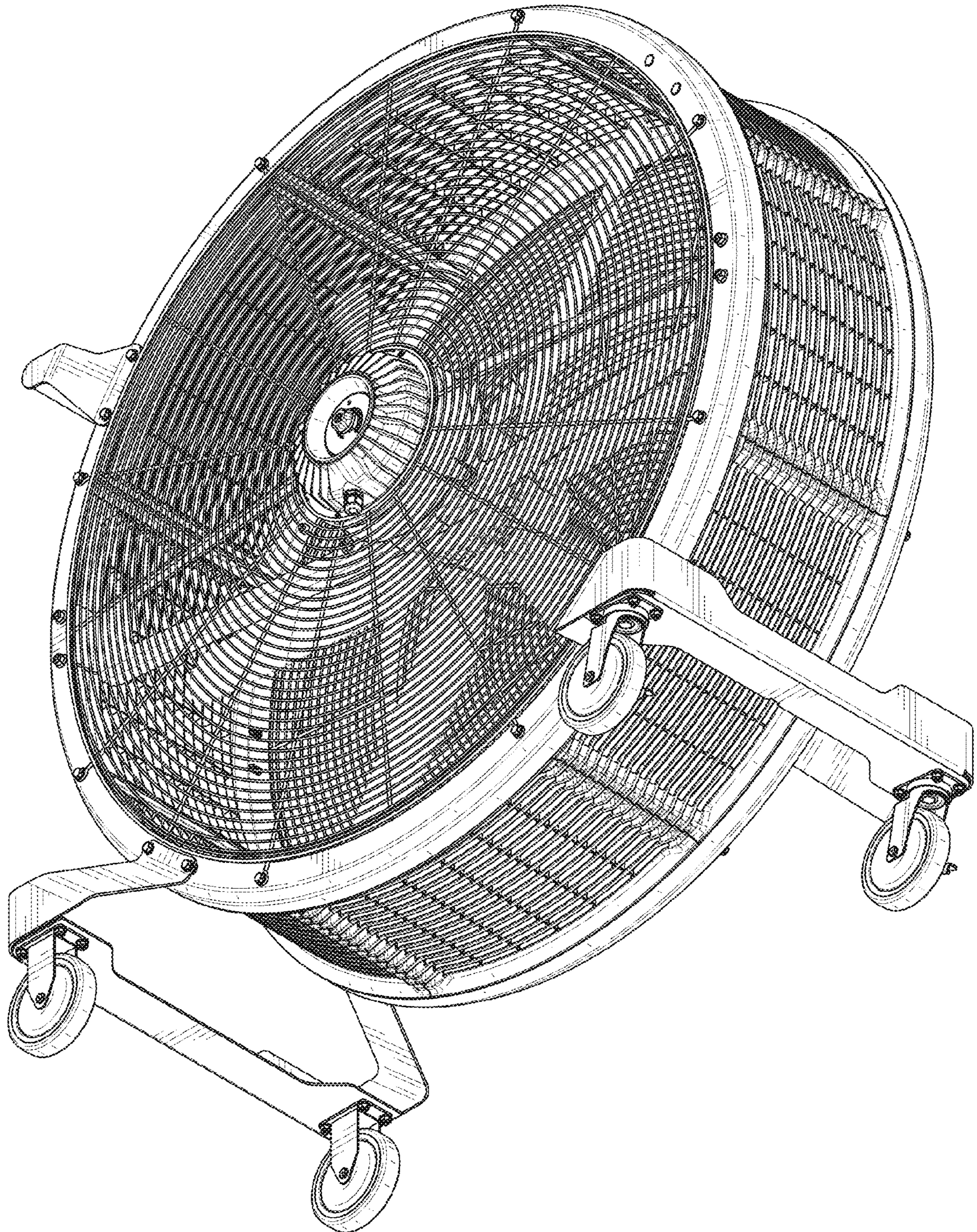


FIG. 2

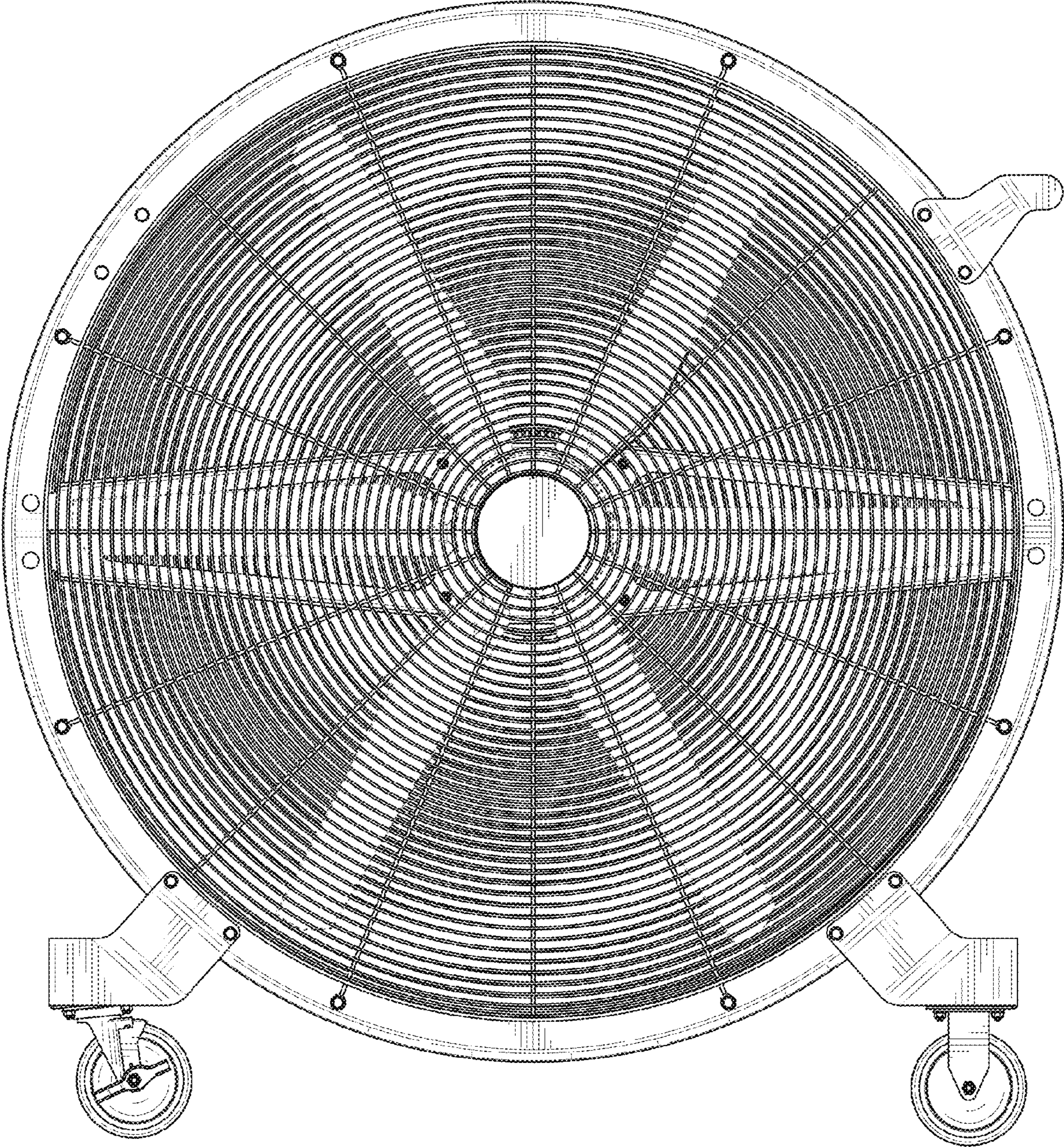


FIG. 3

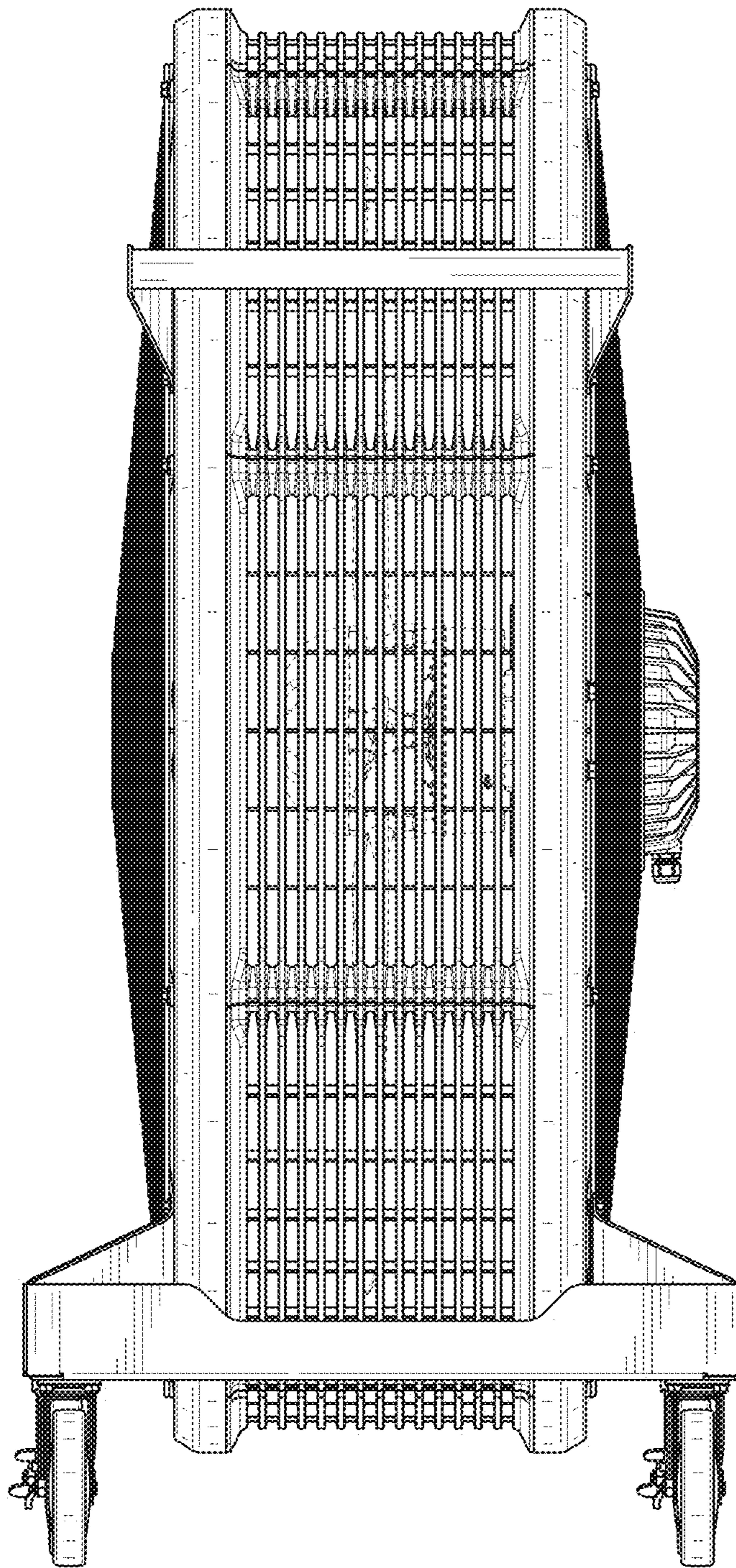


FIG. 4

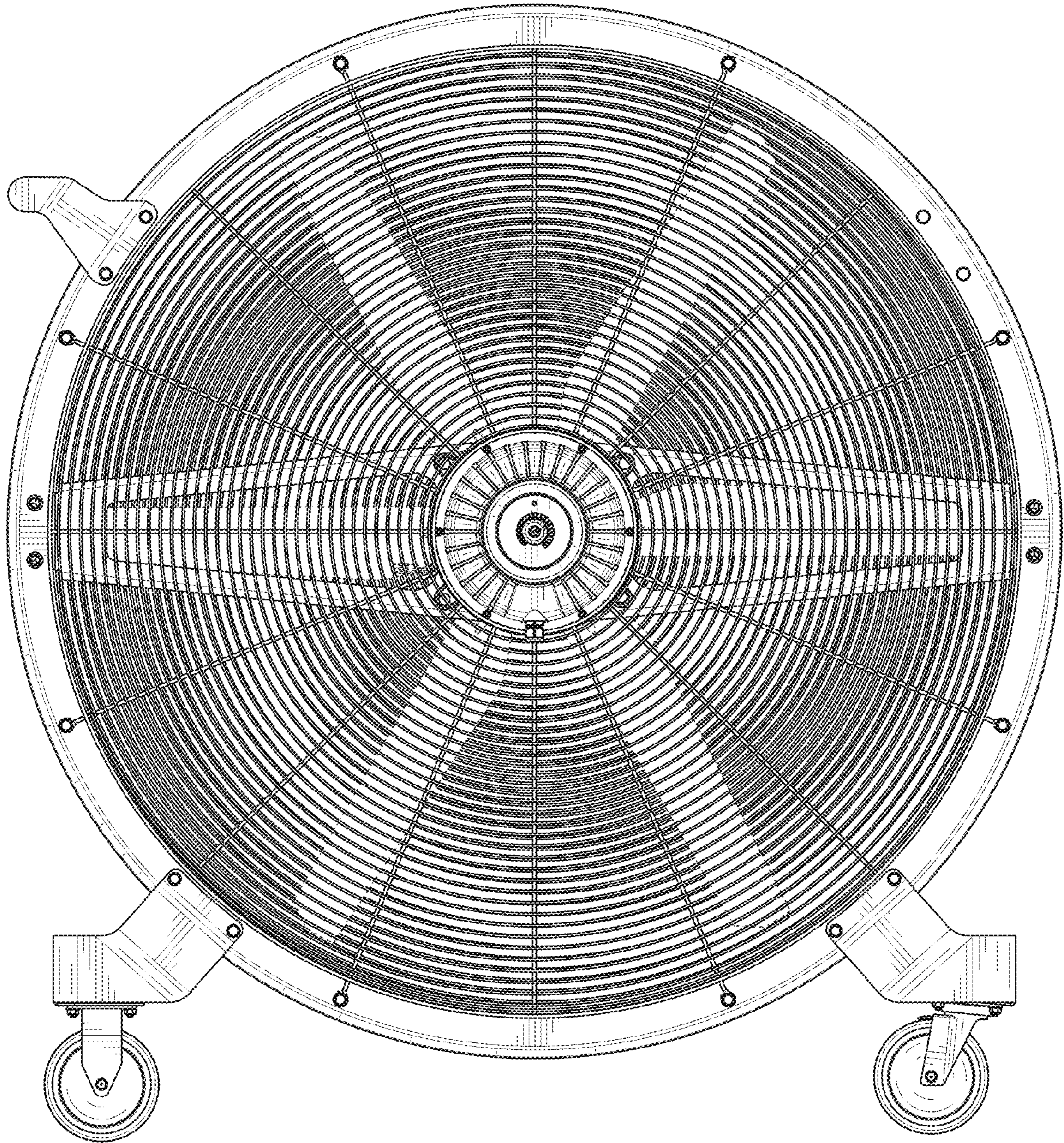


FIG. 5

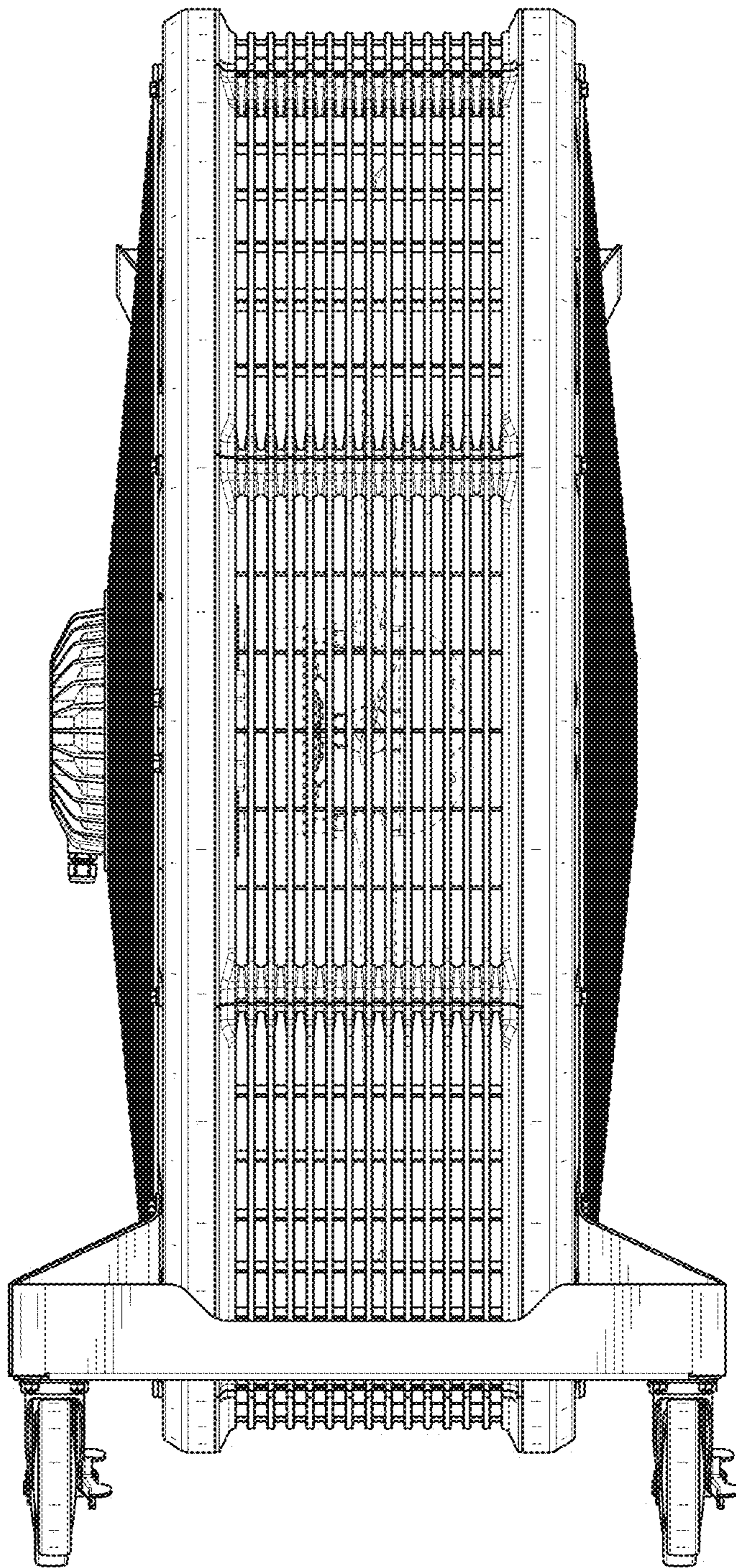


FIG. 6

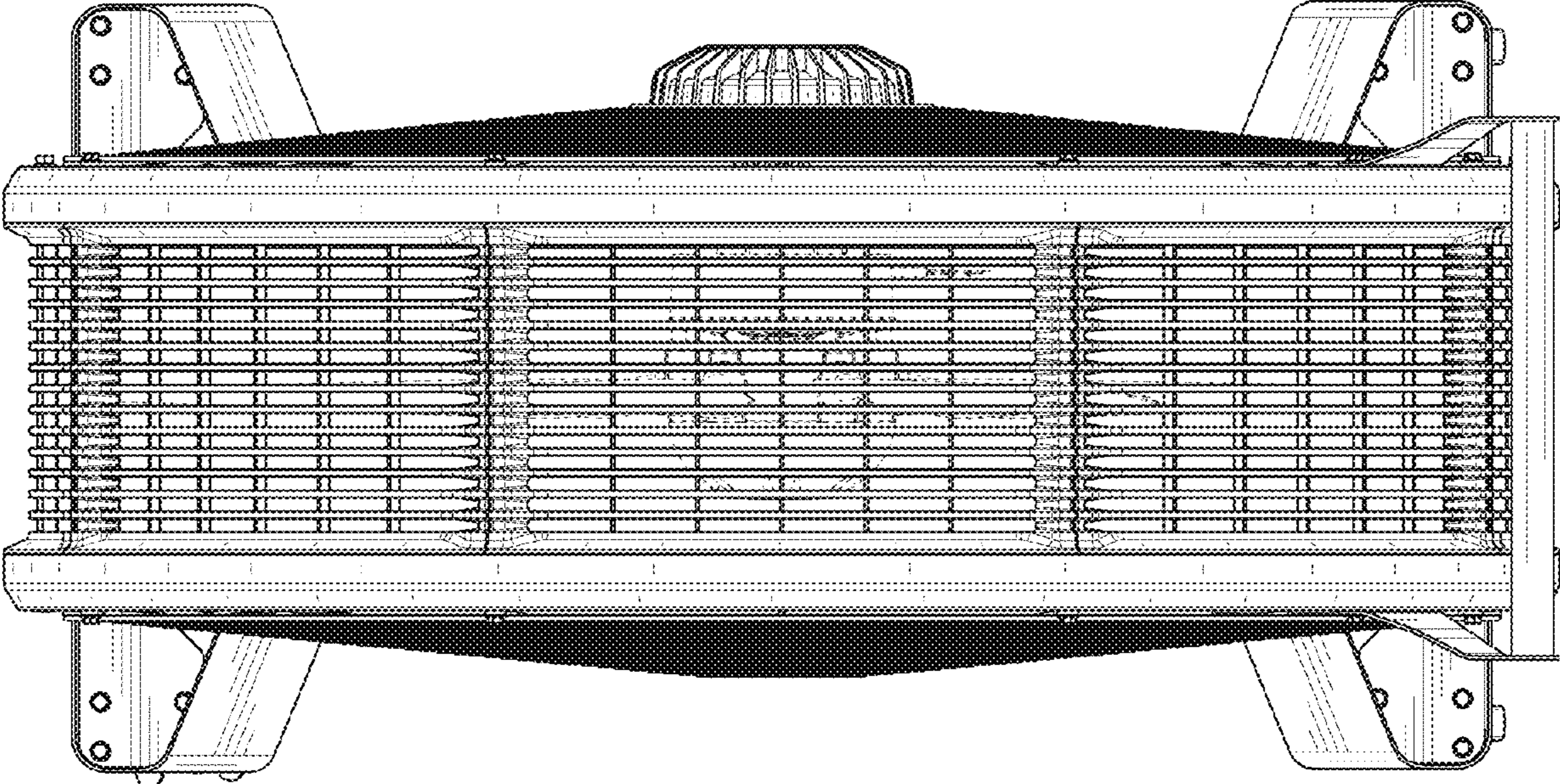


FIG. 7

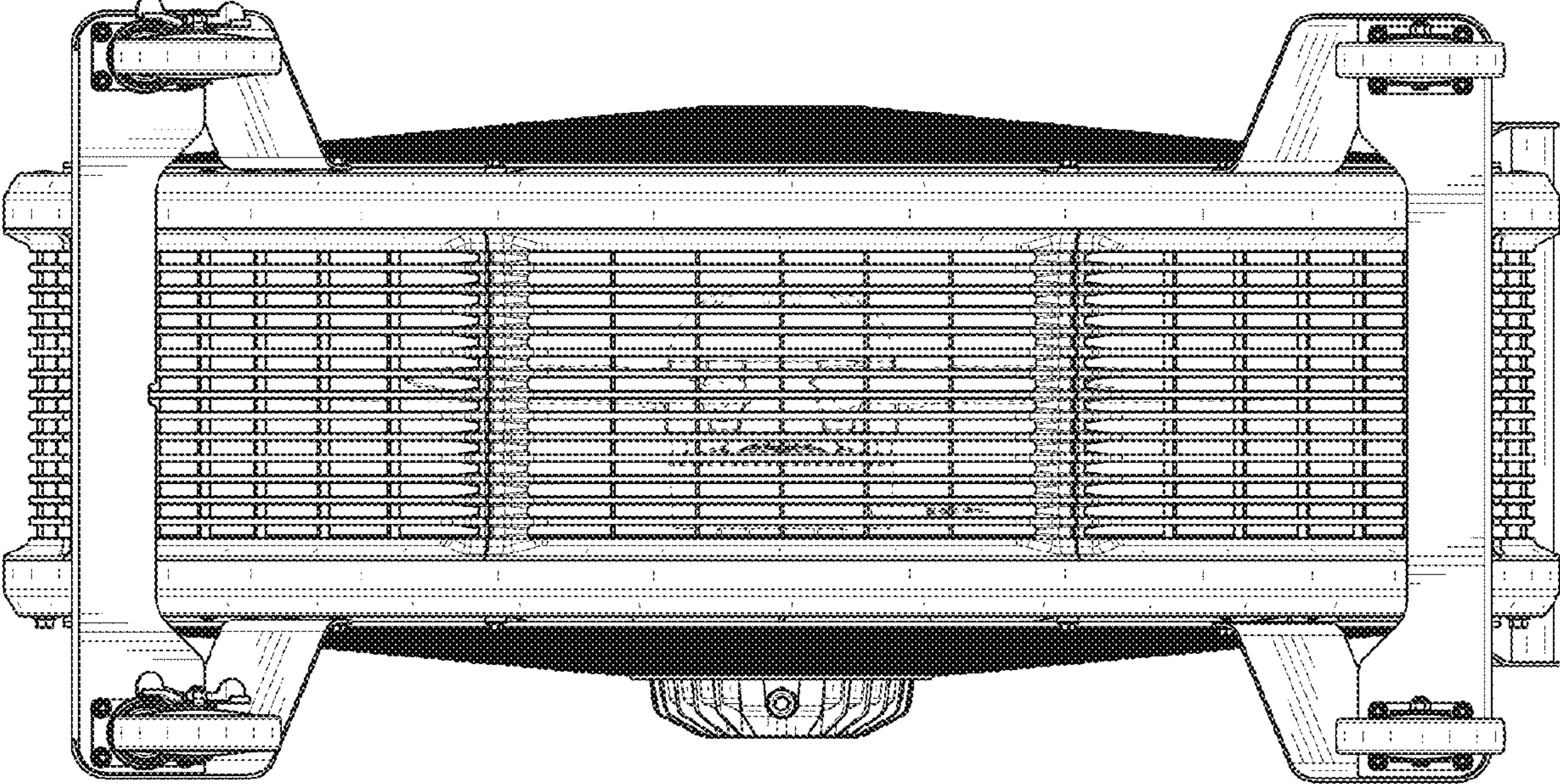


FIG. 8