



US00D980404S

(12) **United States Design Patent**
Lörcher et al.

(10) **Patent No.:** **US D980,404 S**
(45) **Date of Patent:** **** Mar. 7, 2023**

(54) **VENTILATION FAN**

(71) Applicant: **ZIEHL-ABEGG SE**, Künzelsau (DE)

(72) Inventors: **Frieder Lörcher**, Braunsbach (DE);
Georg Hofmann, Tauberbischofsheim (DE); **Sandra Hub**, Pfedelbach (DE)

(73) Assignee: **Ziehl-Abegg Se**, Kunzelsau (DE)

(**) Term: **15 Years**

(21) Appl. No.: **29/705,685**

(22) Filed: **Sep. 13, 2019**

(30) **Foreign Application Priority Data**

Mar. 15, 2019 (EM) 006311585

(51) **LOC (14) Cl.** **23-04**

(52) **U.S. Cl.**
USPC **D23/370**

(58) **Field of Classification Search**

USPC D23/328, 332, 333, 335-337, 341, 351,
D23/352, 354, 370-383, 385, 411-414

CPC F04D 25/08; F04D 29/388; F04D 29/34;
F04D 25/088; H02K 1/187

See application file for complete search history.

(56) **References Cited**

U.S. PATENT DOCUMENTS

D513,799 S *	1/2006	Li	D23/411
D644,315 S *	8/2011	Bohl	D23/370
D772,392 S *	11/2016	Gebert	D23/370
D809,643 S *	2/2018	Gruber	D23/370
D818,103 S *	5/2018	Hoss	D23/370
D821,561 S *	6/2018	Gruber	D23/411
10,550,854 B2 *	2/2020	Lorcher	B29C 45/26

(Continued)

Primary Examiner — Sharon S Oum

(74) *Attorney, Agent, or Firm* — Venable LLP; Keith G. Haddaway

(57) **CLAIM**

The ornamental design for a ventilation fan, as shown and described.

DESCRIPTION

FIG. 1 is a rear view of a ventilation fan according to a first embodiment of the present invention;

FIG. 2 is a rear perspective view thereof;

FIG. 3 is a side view thereof;

FIG. 4 is a front view thereof;

FIG. 5 is a front perspective view thereof;

FIG. 6 is a rear view of a ventilation fan according to a second embodiment of the present invention;

FIG. 7 is a rear perspective view-of the embodiment of FIG. 6;

FIG. 8 is a side view of the embodiment of FIG. 6;

FIG. 9 is a front view of the embodiment of FIG. 6;

FIG. 10 is a front perspective view of the embodiment of FIG. 6;

FIG. 11 is a rear view of a ventilation fan according to a third embodiment of the present invention;

FIG. 12 is a rear perspective view of the embodiment of FIG. 11;

FIG. 13 is a front view of the embodiment of FIG. 11;

FIG. 14 is a front perspective view of the embodiment of FIG. 11;

FIG. 15 is a side perspective view of the embodiment of FIG. 11;

FIG. 16 is a rear view of a ventilation fan according to a fourth embodiment of the present invention;

FIG. 17 is a rear perspective view of the embodiment of FIG. 16;

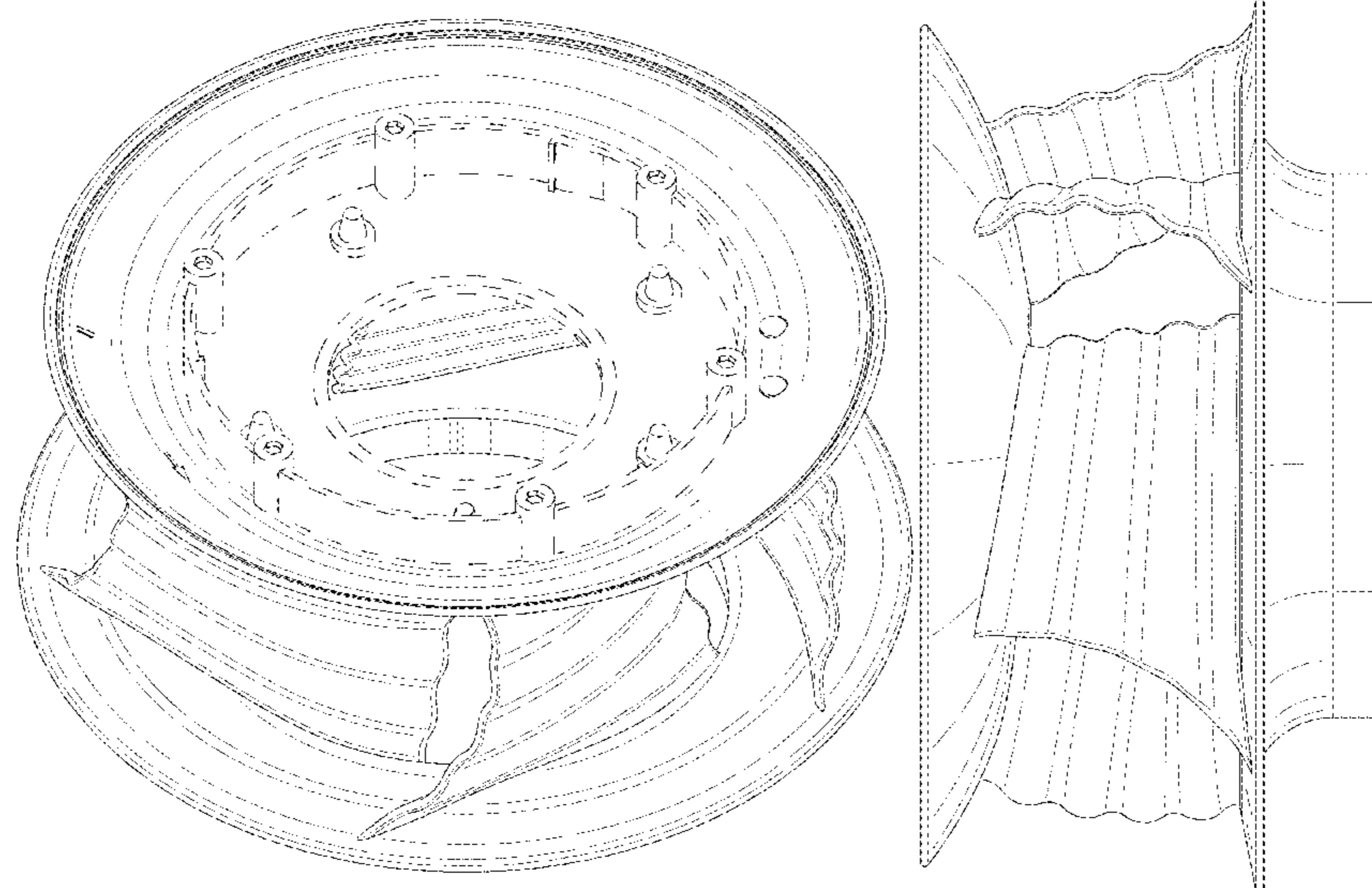
FIG. 18 is a side view of the embodiment of FIG. 16;

FIG. 19 is a front perspective view of the embodiment of FIG. 16; and,

FIG. 20 is a front view of the embodiment of FIG. 16.

The broken lines illustrate portions of the ventilation fan that form no part of the claimed design.

1 Claim, 20 Drawing Sheets



(56)

References Cited

U.S. PATENT DOCUMENTS

D903,085 S * 11/2020 Gebert D23/370
11,035,233 B2 * 6/2021 Gauss F04D 29/30
11,067,097 B2 * 7/2021 Goller F04D 29/263
11,067,309 B2 * 7/2021 Gauss F04D 29/703
D949,315 S * 4/2022 Strehle D23/370
11,306,732 B2 * 4/2022 Xu F04D 29/281
2010/0050678 A1 * 3/2010 Ikeda F24F 1/0063
62/291
2010/0115983 A1 * 5/2010 Ikeda F24F 1/0022
62/426
2015/0316073 A1 * 11/2015 Lorcher F04D 17/00
416/186 R
2019/0024674 A1 * 1/2019 Loercher F04D 29/324
2020/0173284 A1 * 6/2020 Gauss F01D 5/04

* cited by examiner

FIG. 1

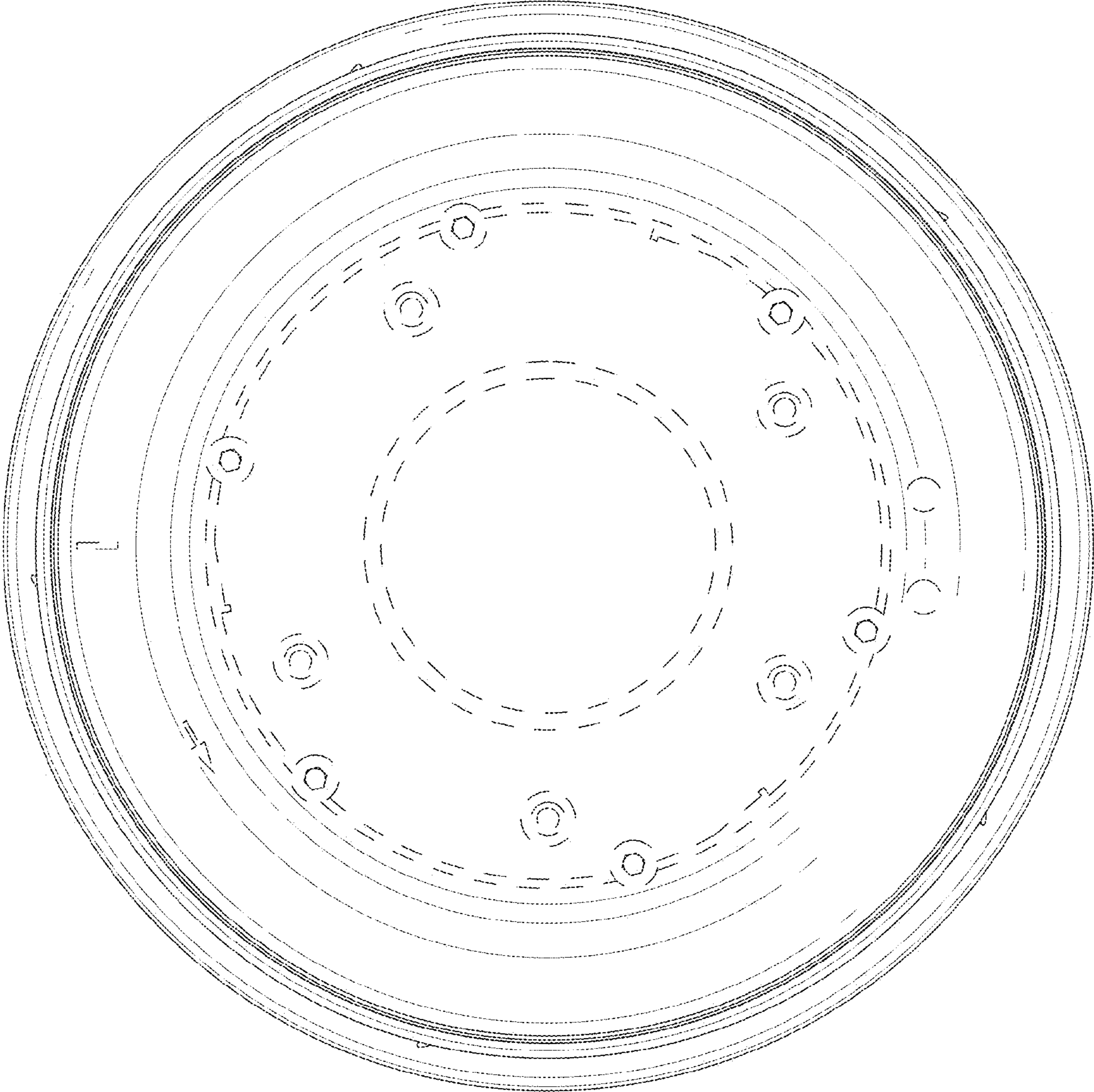


FIG. 2

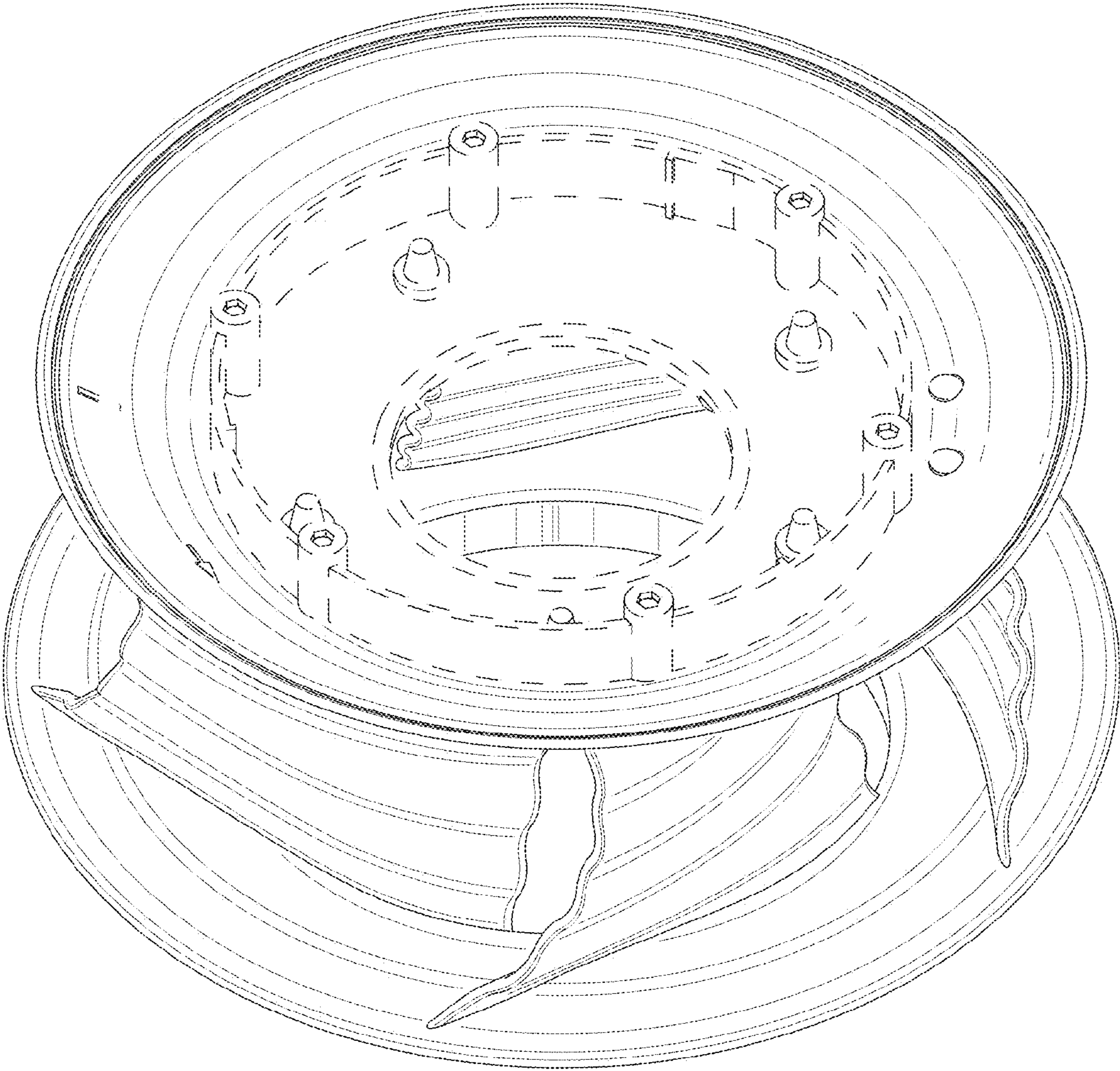


FIG. 3

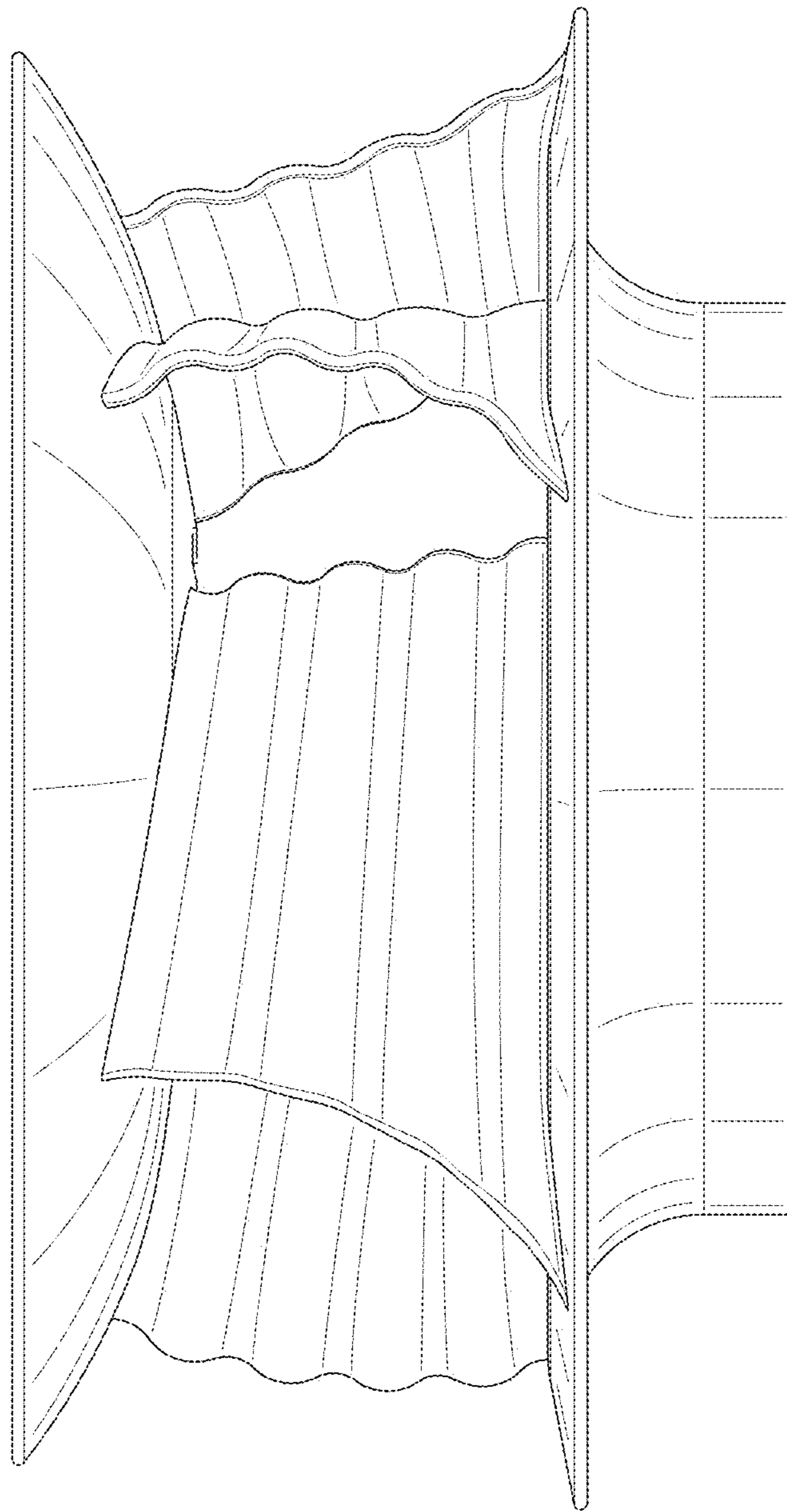


FIG. 4

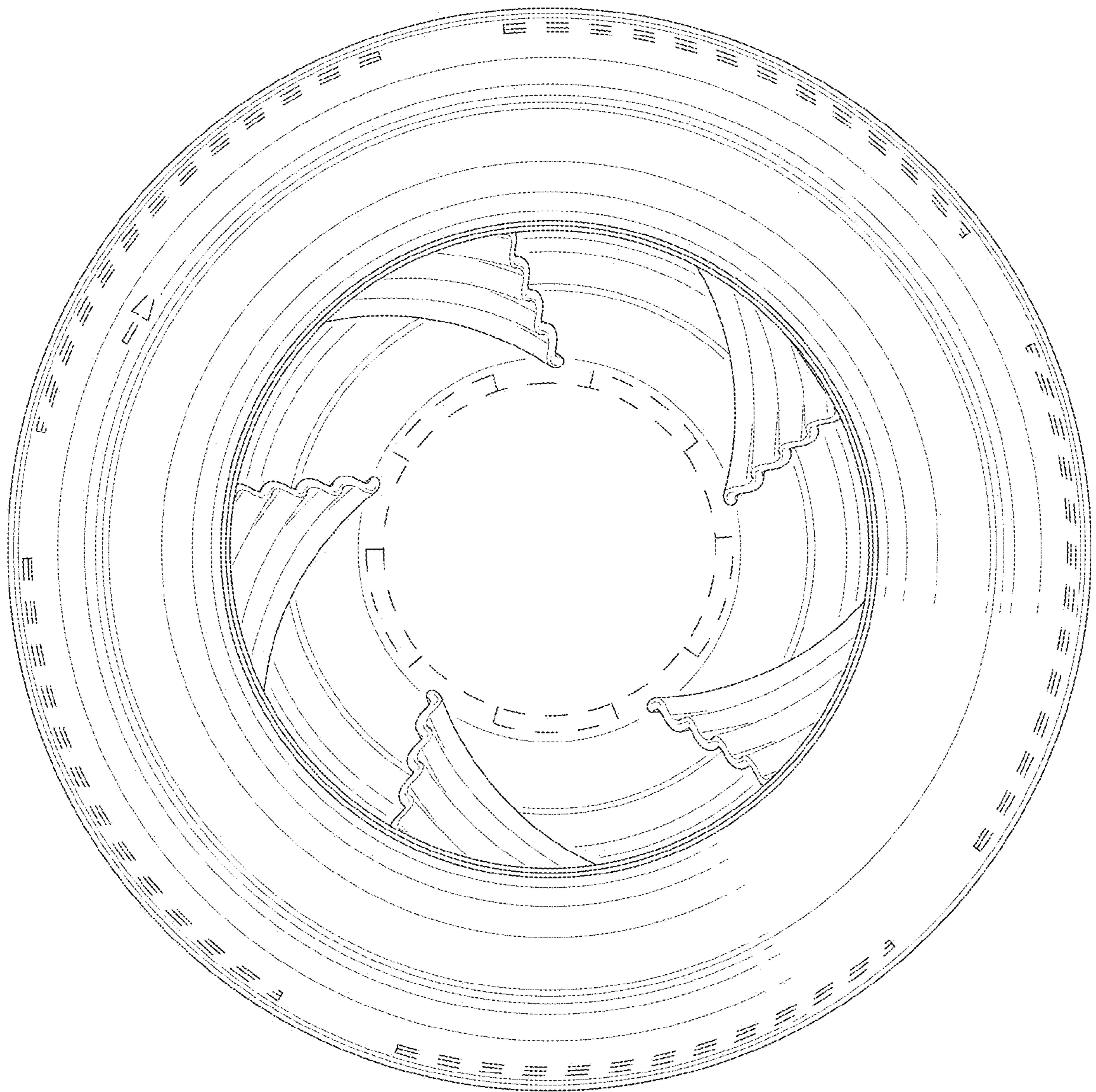


FIG. 5

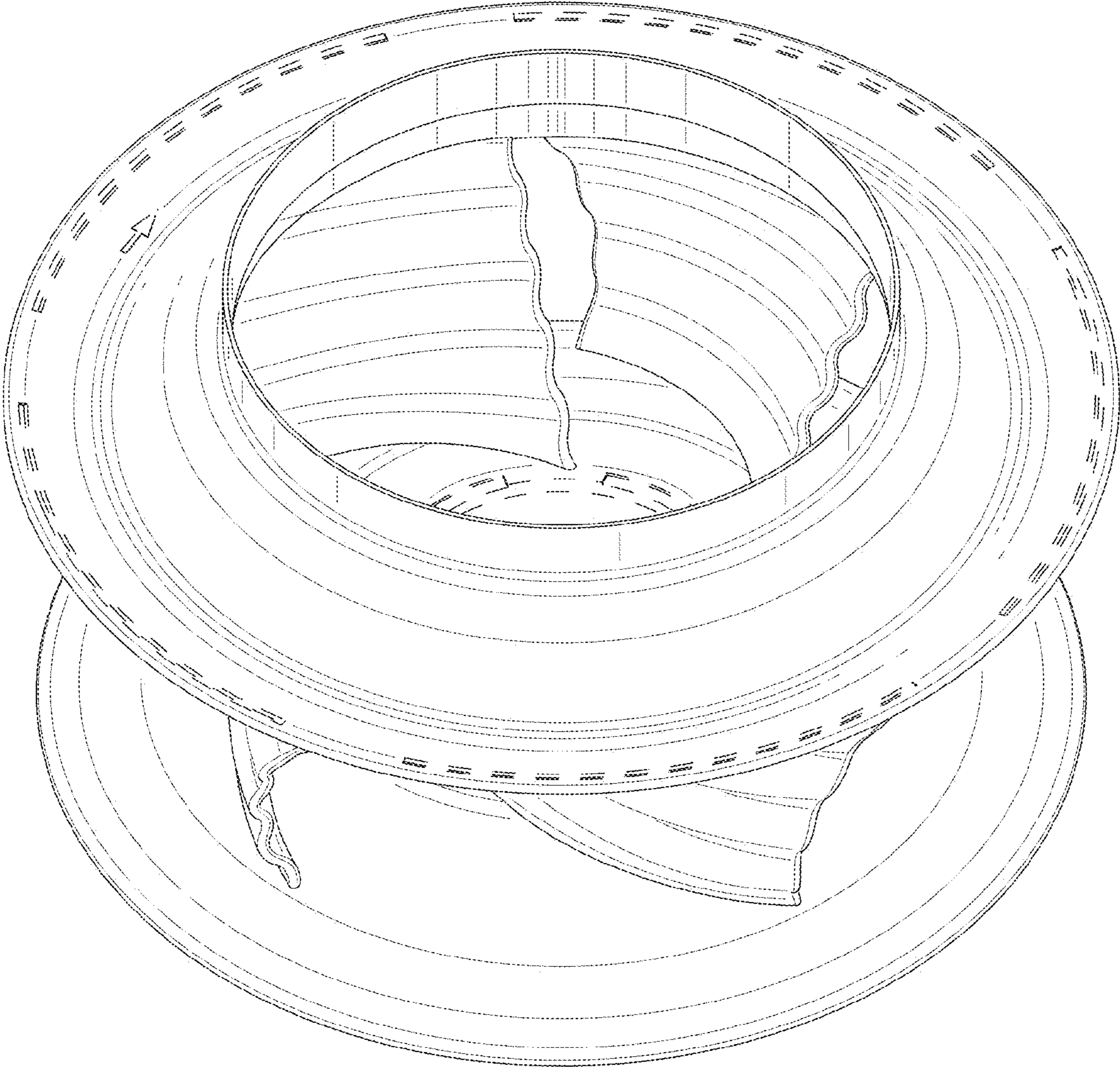


FIG. 6

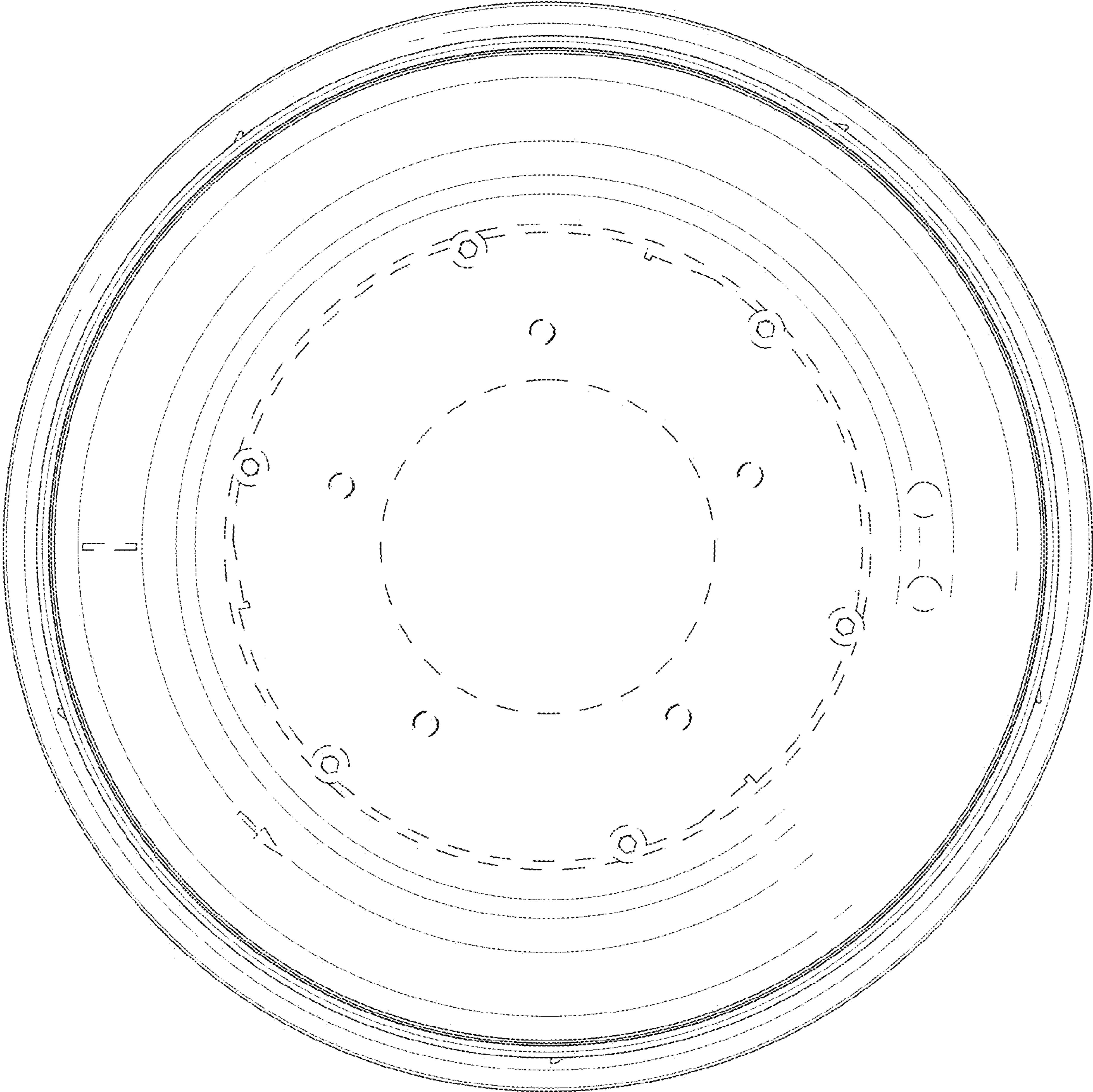


FIG. 7

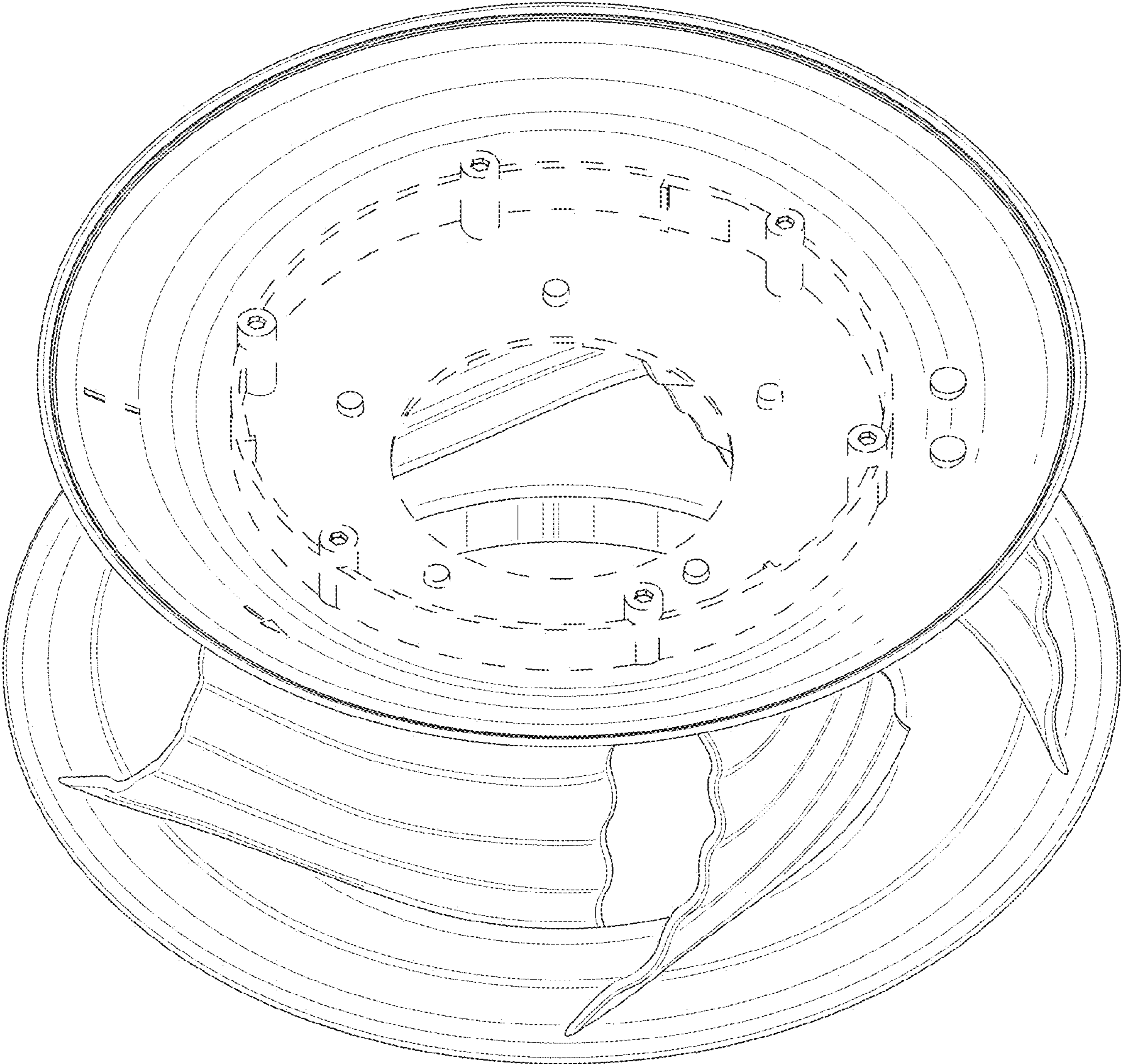


FIG. 8

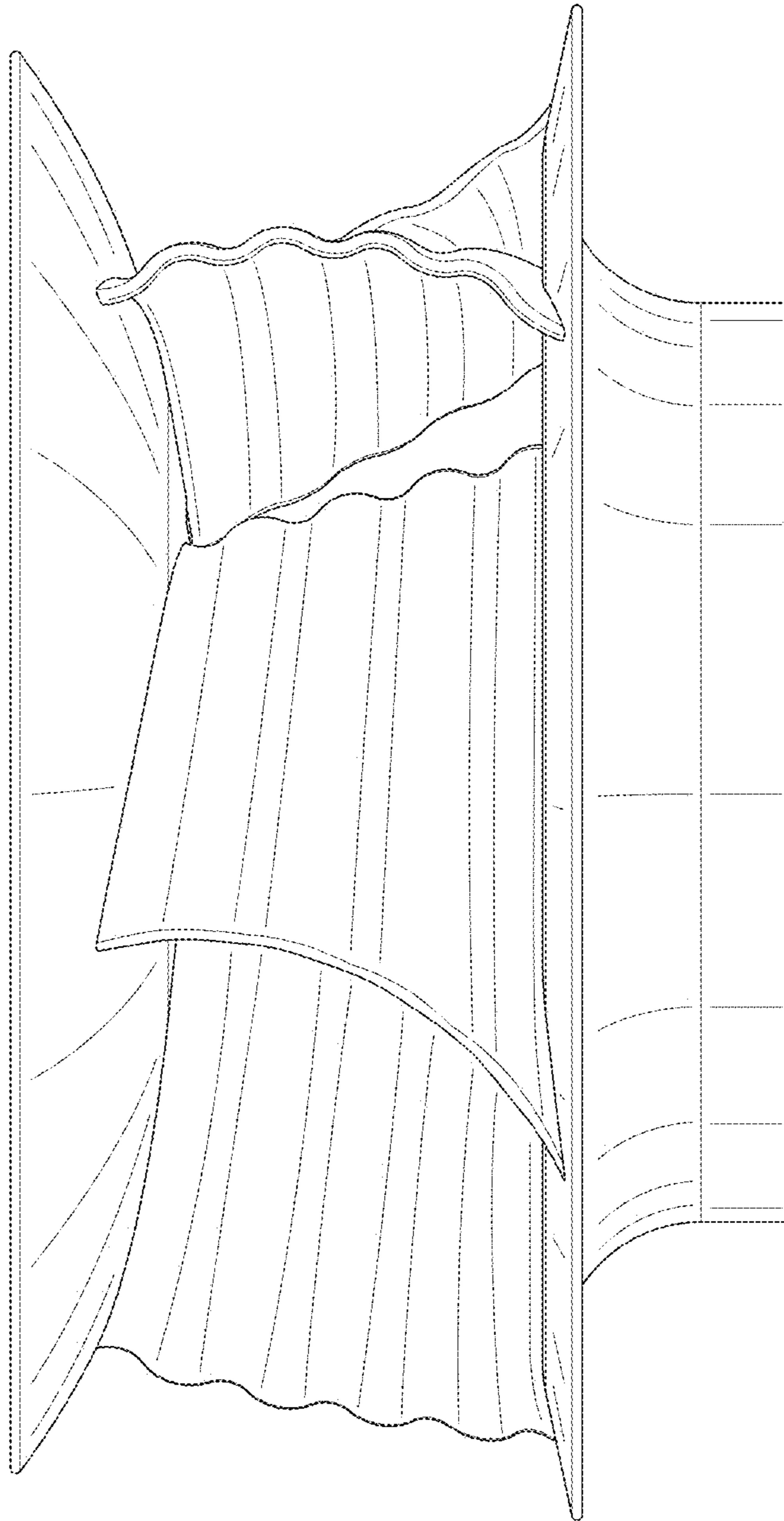


FIG. 9

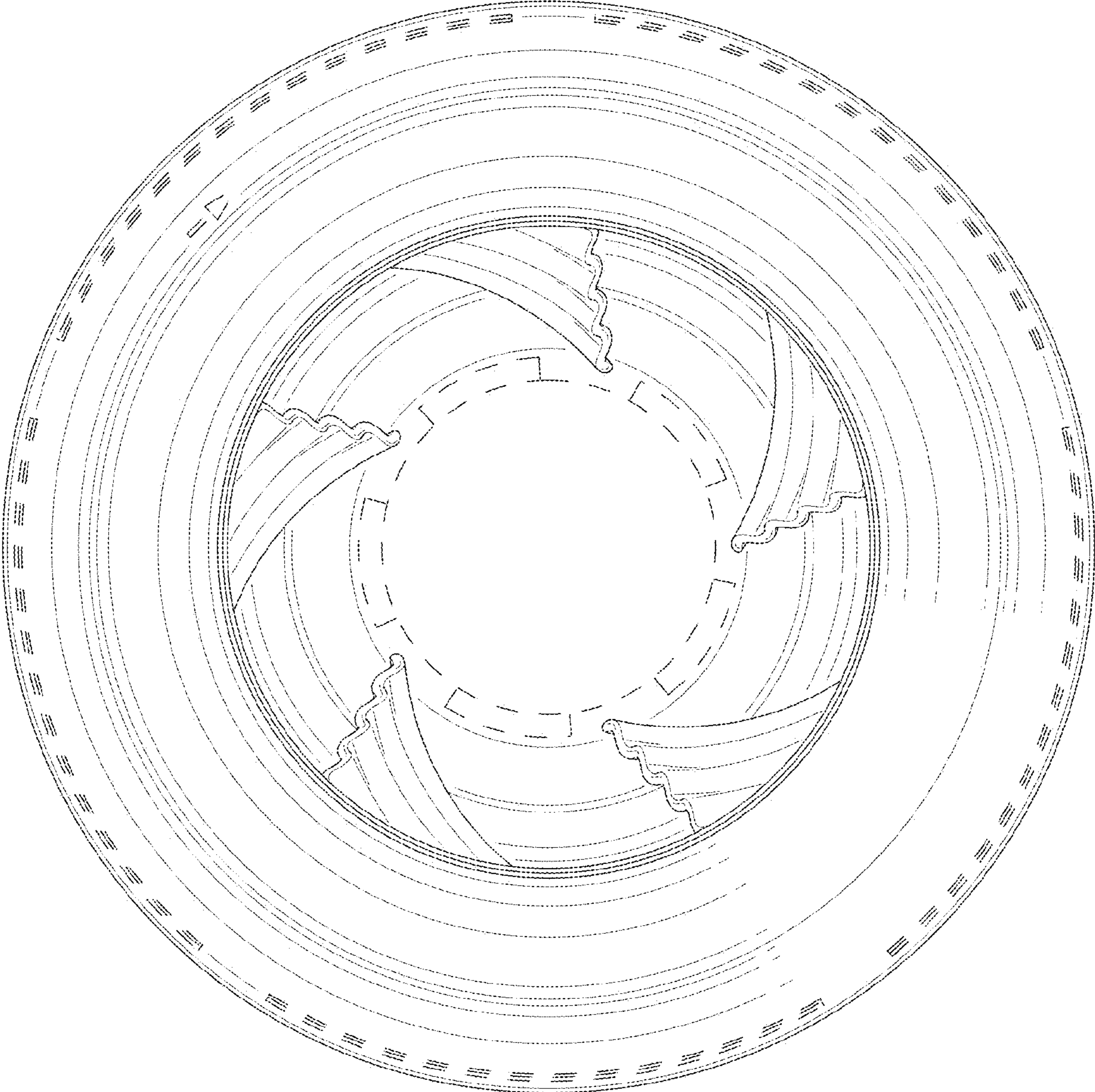


FIG. 10

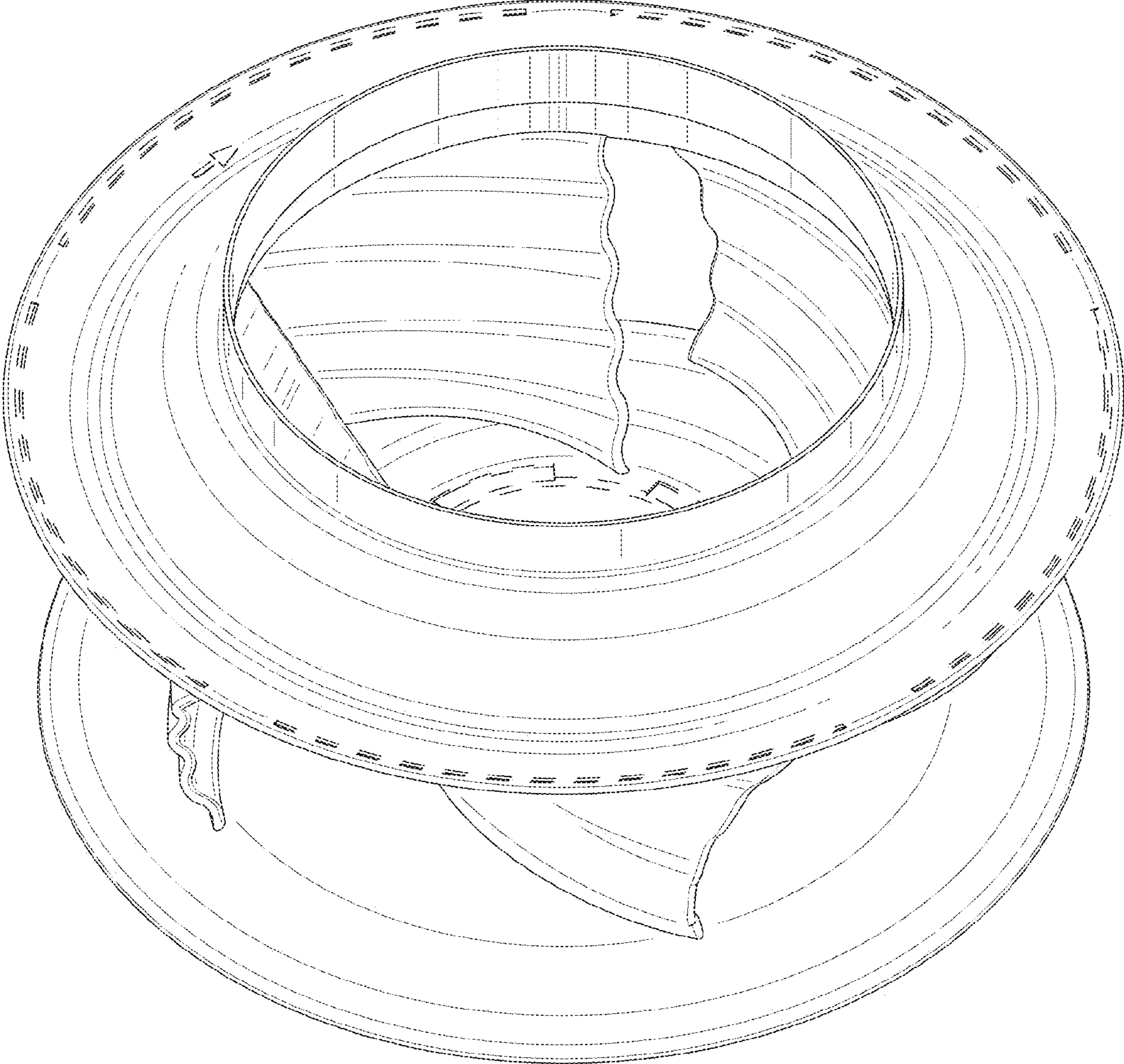


FIG. 11

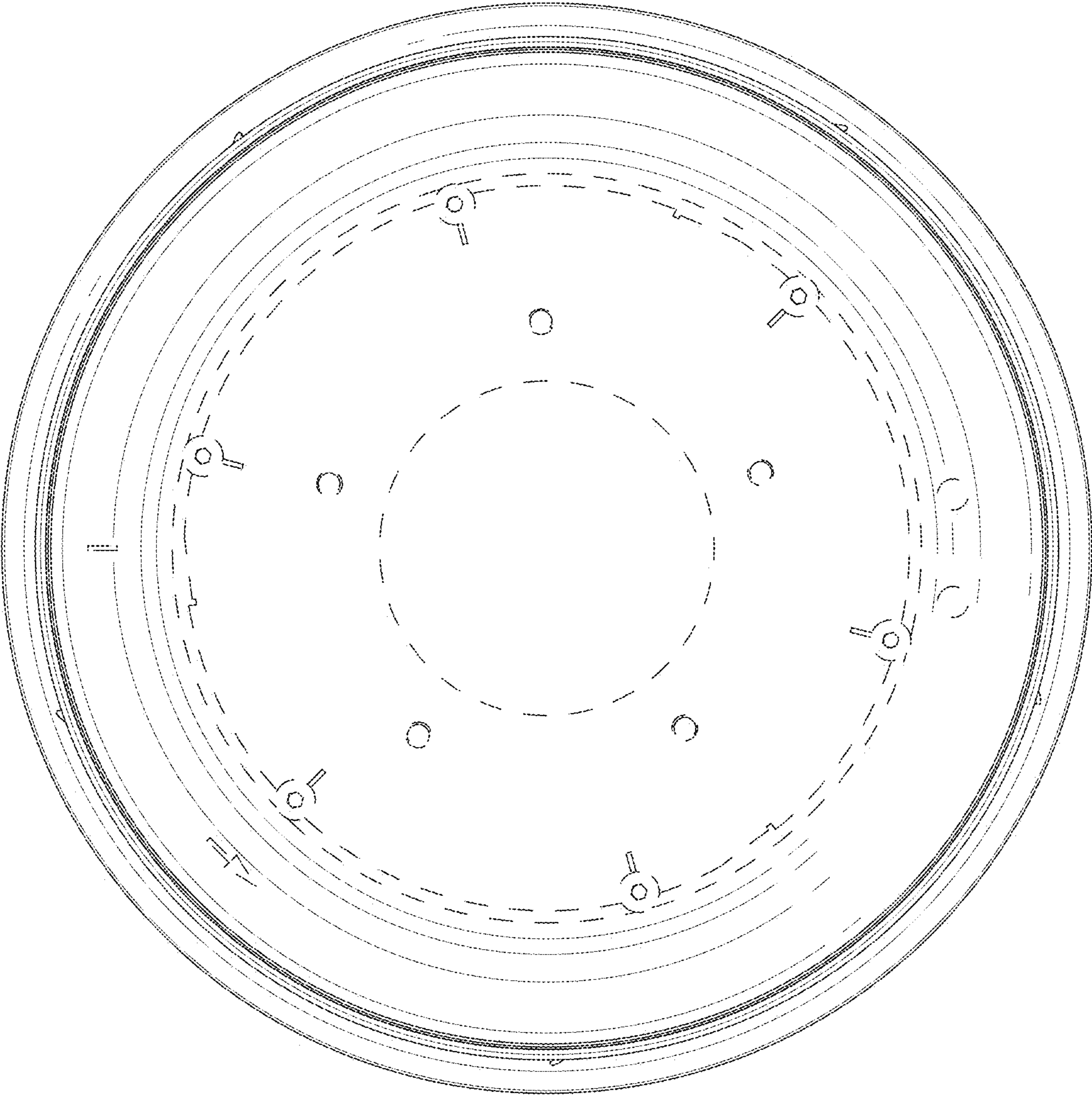


FIG. 12

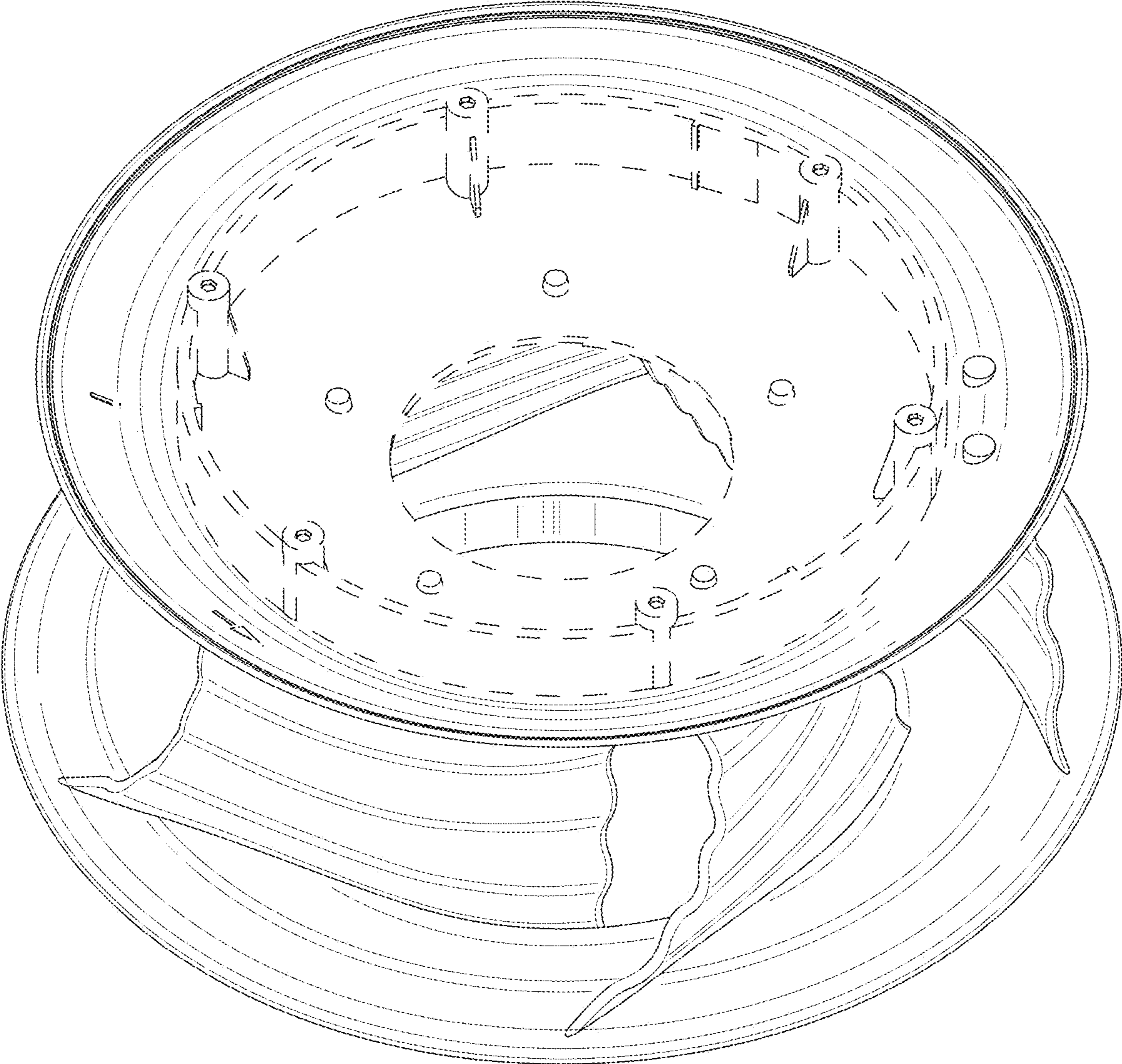


FIG. 13

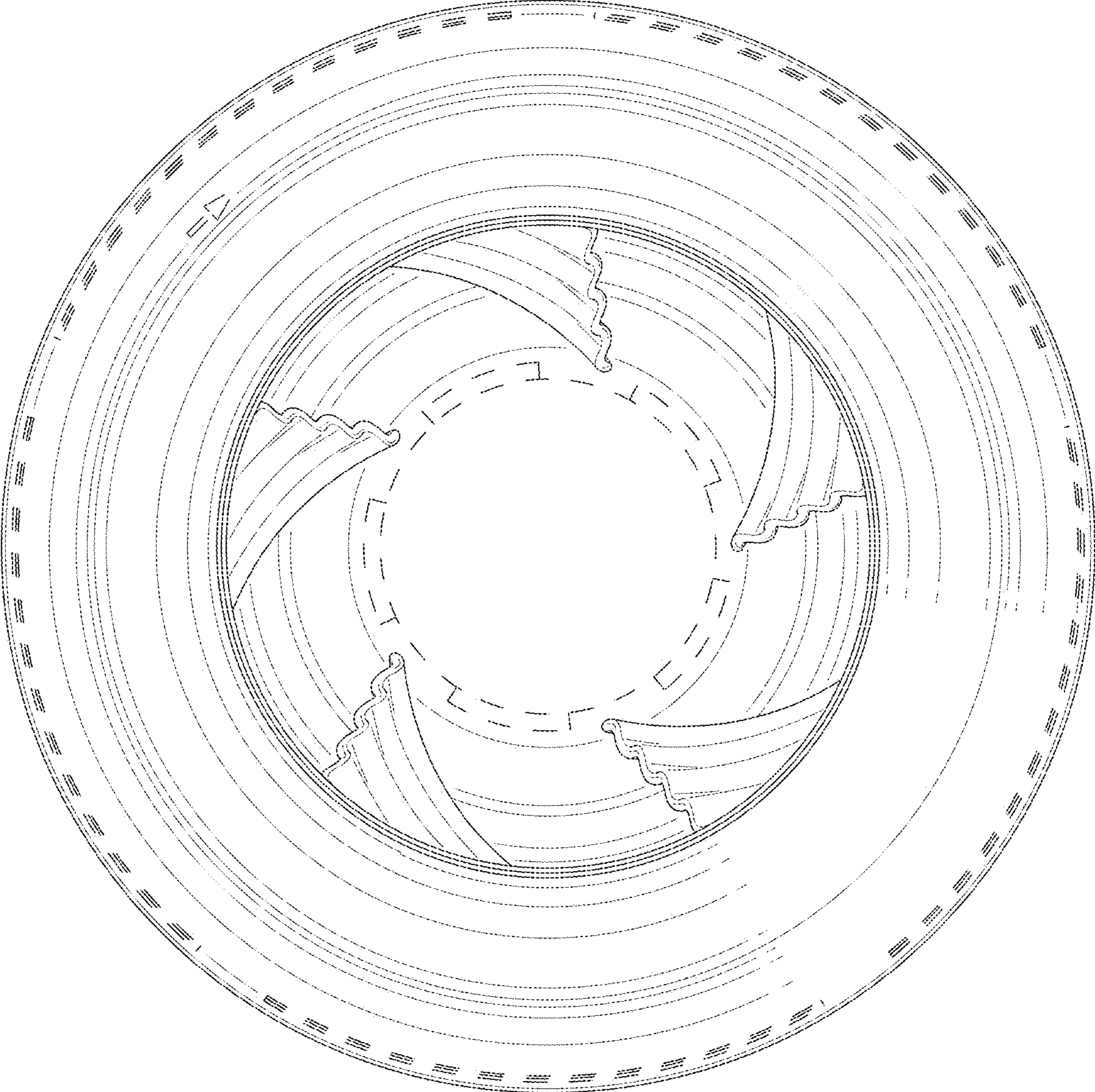


FIG. 14

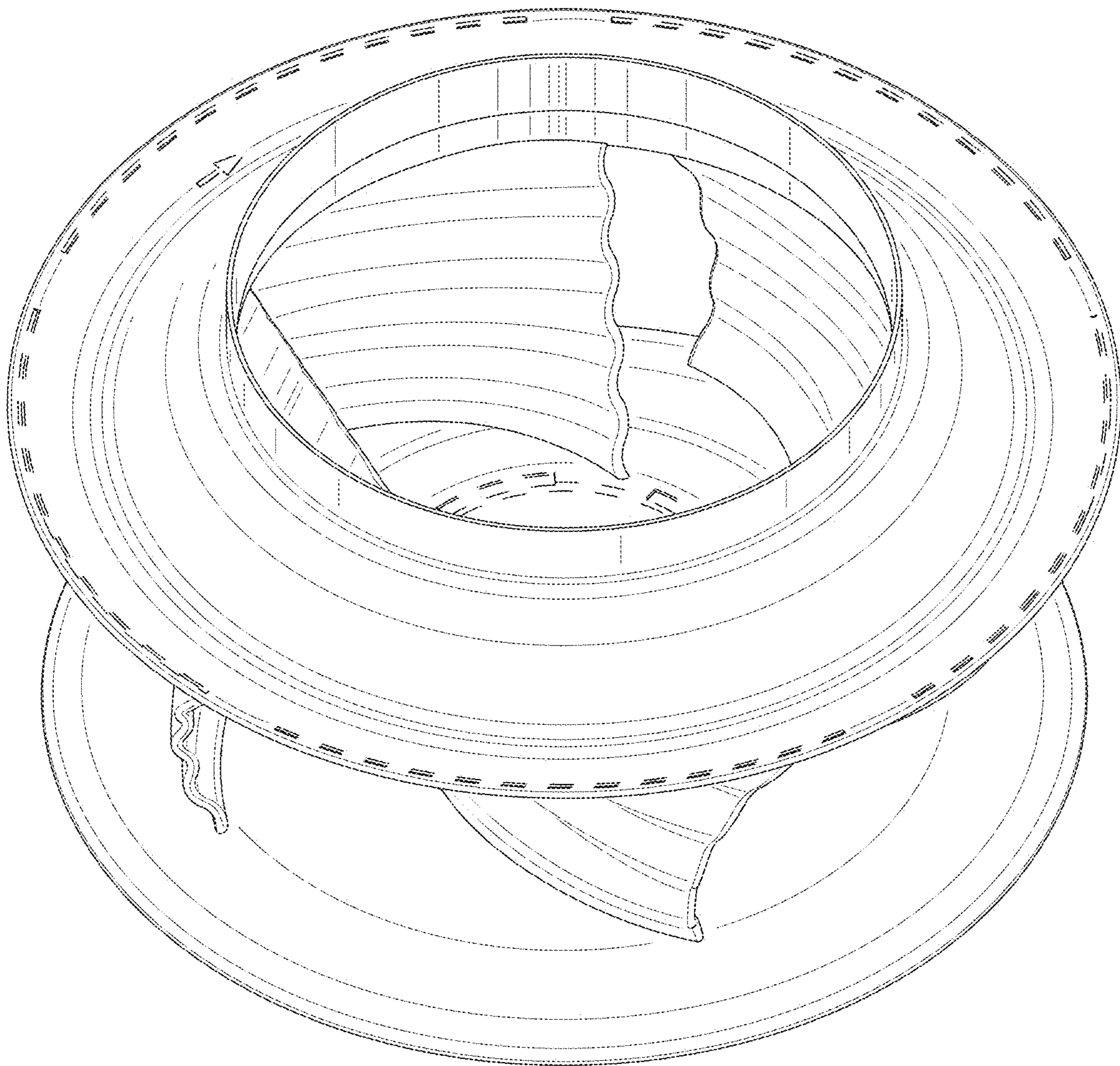


FIG. 15

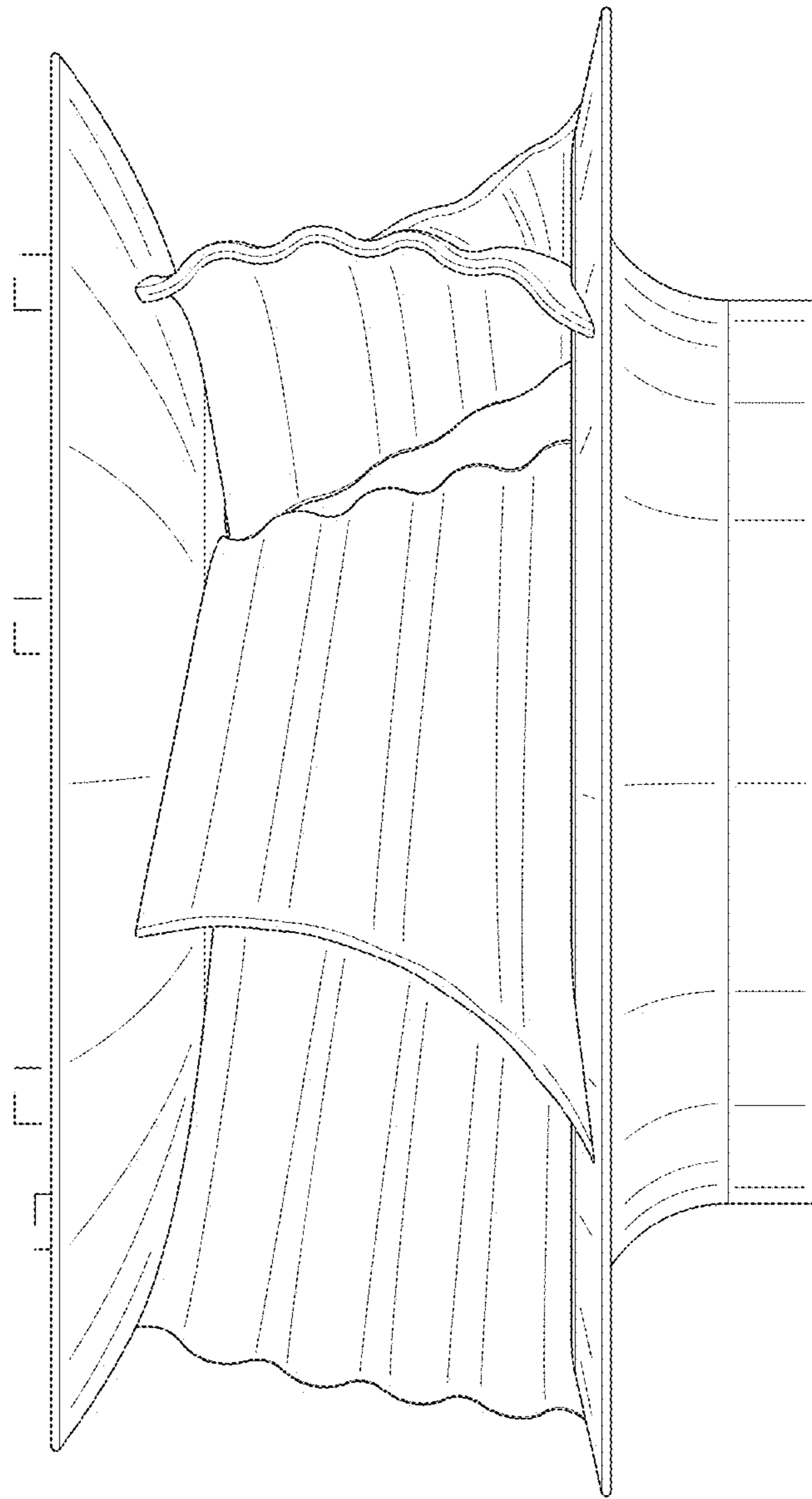


FIG. 16

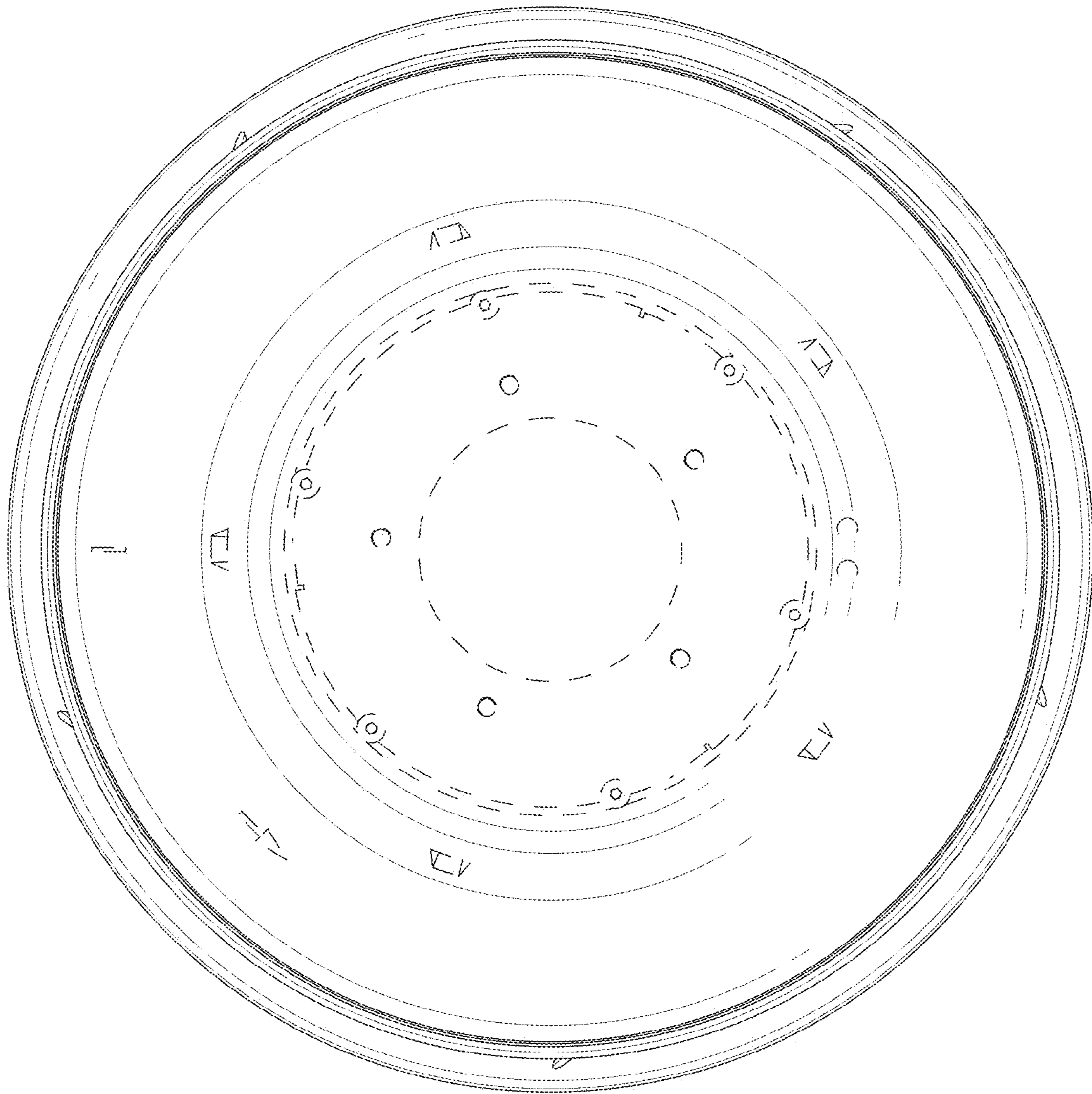


FIG. 17

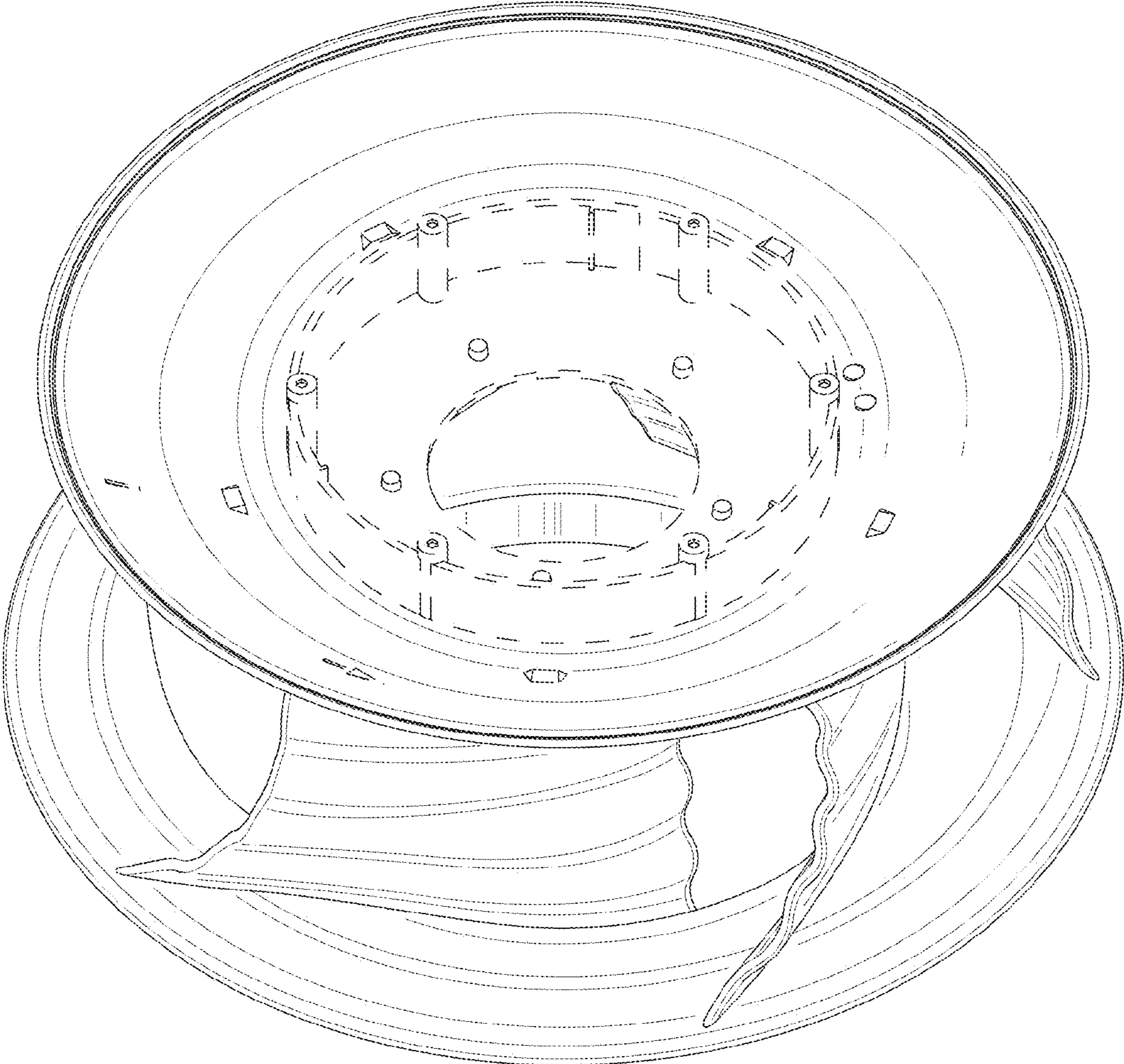


FIG. 18

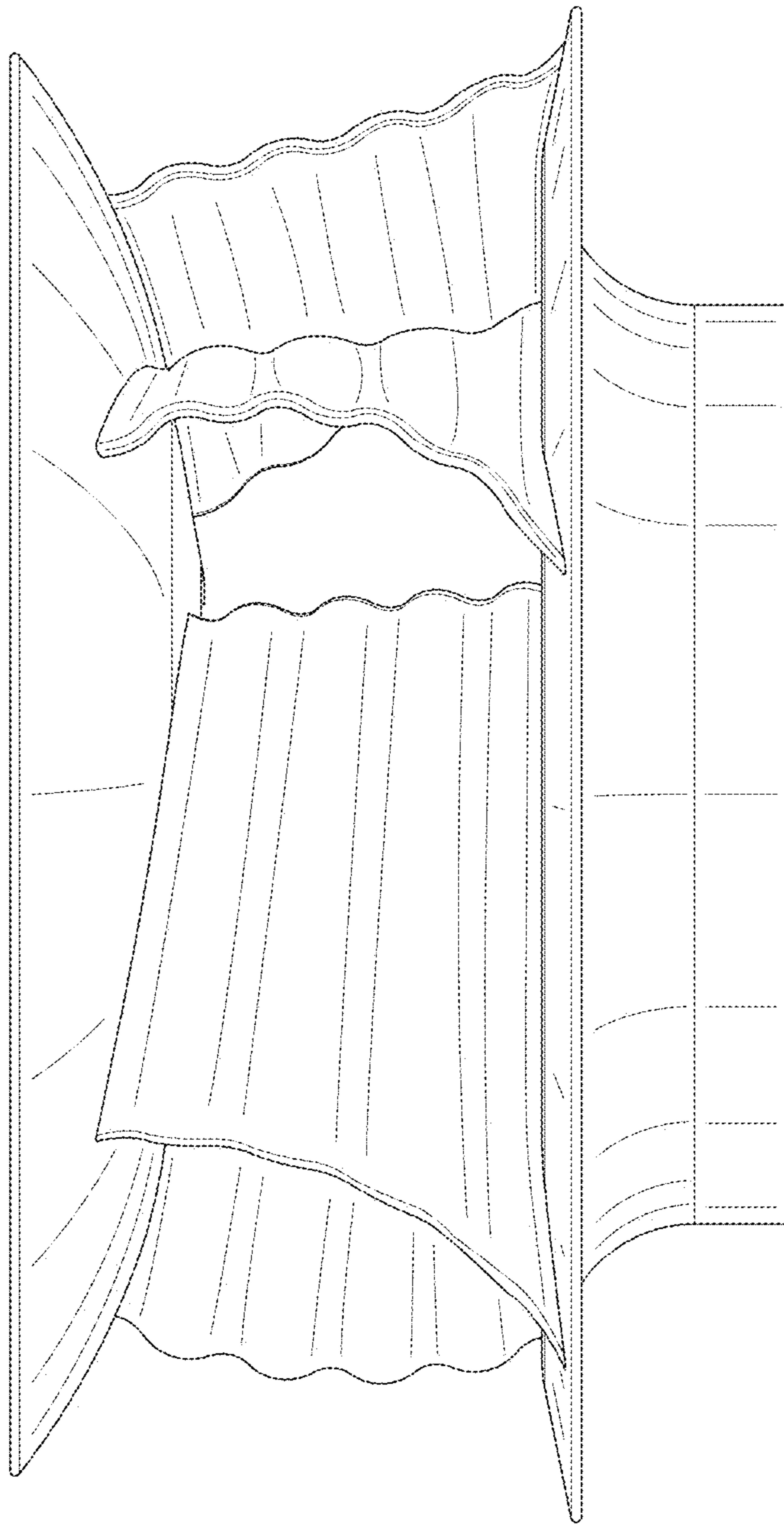


FIG. 19

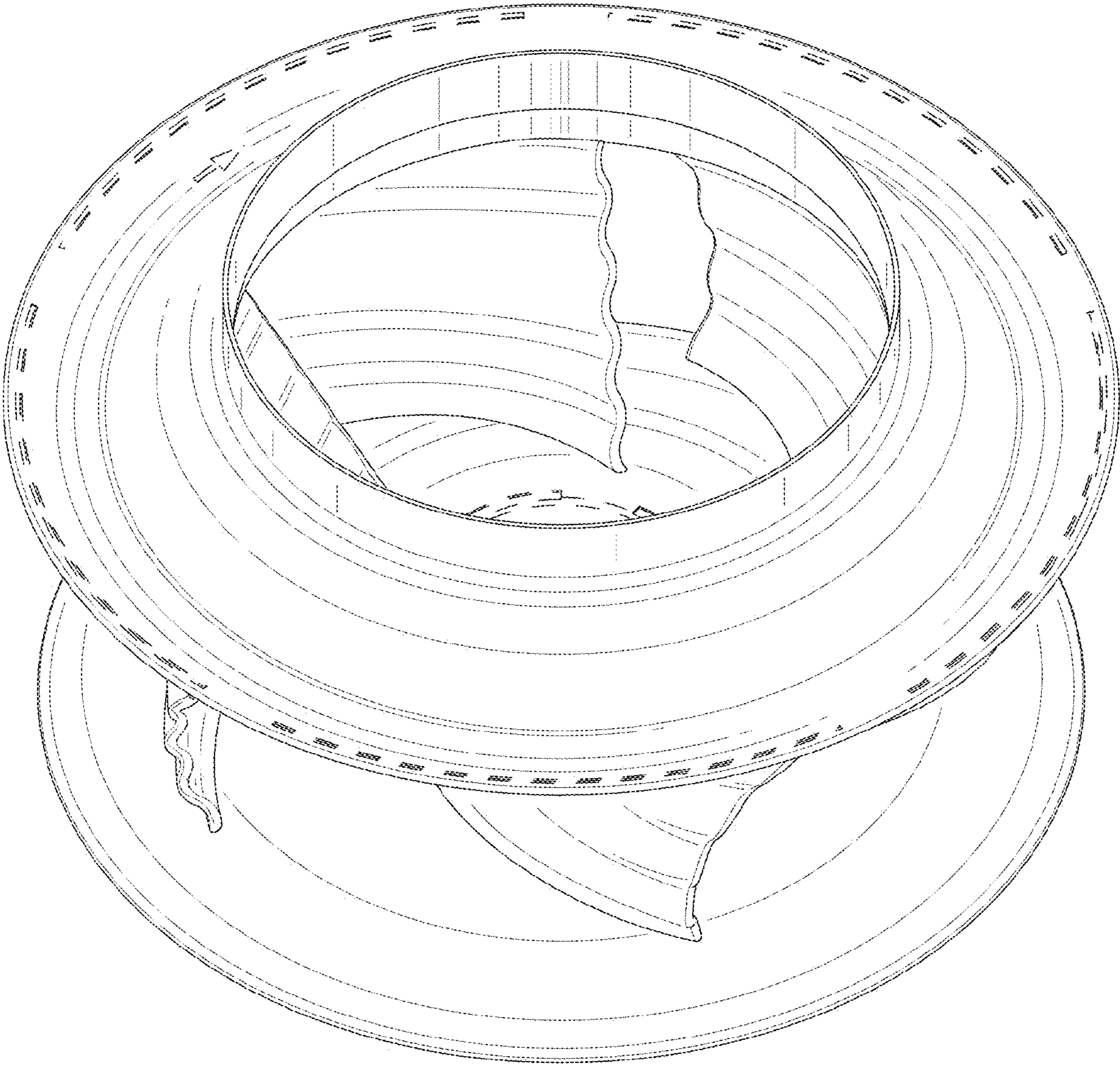


FIG. 20

