



US00D980403S

(12) **United States Design Patent**
Sun

(10) **Patent No.:** **US D980,403 S**
(45) **Date of Patent:** **** Mar. 7, 2023**

(54) **AROMATHERAPY MACHINE**
(71) Applicant: **Shenzhen Shouzheng Chuqi Technology Co., Ltd., Shenzhen (CN)**
(72) Inventor: **Mengyi Sun, Shenzhen (CN)**
(**) Term: **15 Years**

(21) Appl. No.: **29/855,168**
(22) Filed: **Sep. 30, 2022**
(51) **LOC (14) Cl.** **23-04**
(52) **U.S. Cl.**
USPC **D23/366**

(58) **Field of Classification Search**
USPC D23/213, 314, 332-336, 341, 355-369, D23/370, 378; D26/26, 40, 46, 49, 97, D26/123, 124; D14/125, 188, 194, 195, D14/204, 221, 228, 240, 253, 348, 350, D14/358, 496; D21/332; D11/143, 146, D11/152, 153
CPC A61L 9/03; A61L 9/04; A61L 9/05; A61L 9/12; A61L 9/14; A61L 9/012; A61L 9/015; A61L 9/048; A61L 9/122; A61L 9/127; A61L 9/205; A61L 2209/11; A61L 2209/14; A61L 2209/133; Y10S 261/17; Y10S 261/88; Y10S 261/89; F24F 6/00; F24F 6/06; F24F 1/00; F24F 1/02; F24F 1/022
See application file for complete search history.

(56) **References Cited**
U.S. PATENT DOCUMENTS

D772,391 S * 11/2016 Zimmerli D23/366
D908,855 S * 1/2021 Ediger D23/364

D913,475 S 3/2021 Wu
D941,450 S 1/2022 Hu
D943,074 S * 2/2022 Huang D23/356
D944,383 S * 2/2022 Jin D23/366
D958,949 S * 7/2022 Seo D23/364
2019/0247531 A1* 8/2019 Hsiao F24F 1/02

* cited by examiner

Primary Examiner — Gino Colan
Assistant Examiner — David OBrien
(74) *Attorney, Agent, or Firm* — Daniel M. Cohn;
Howard M. Cohn

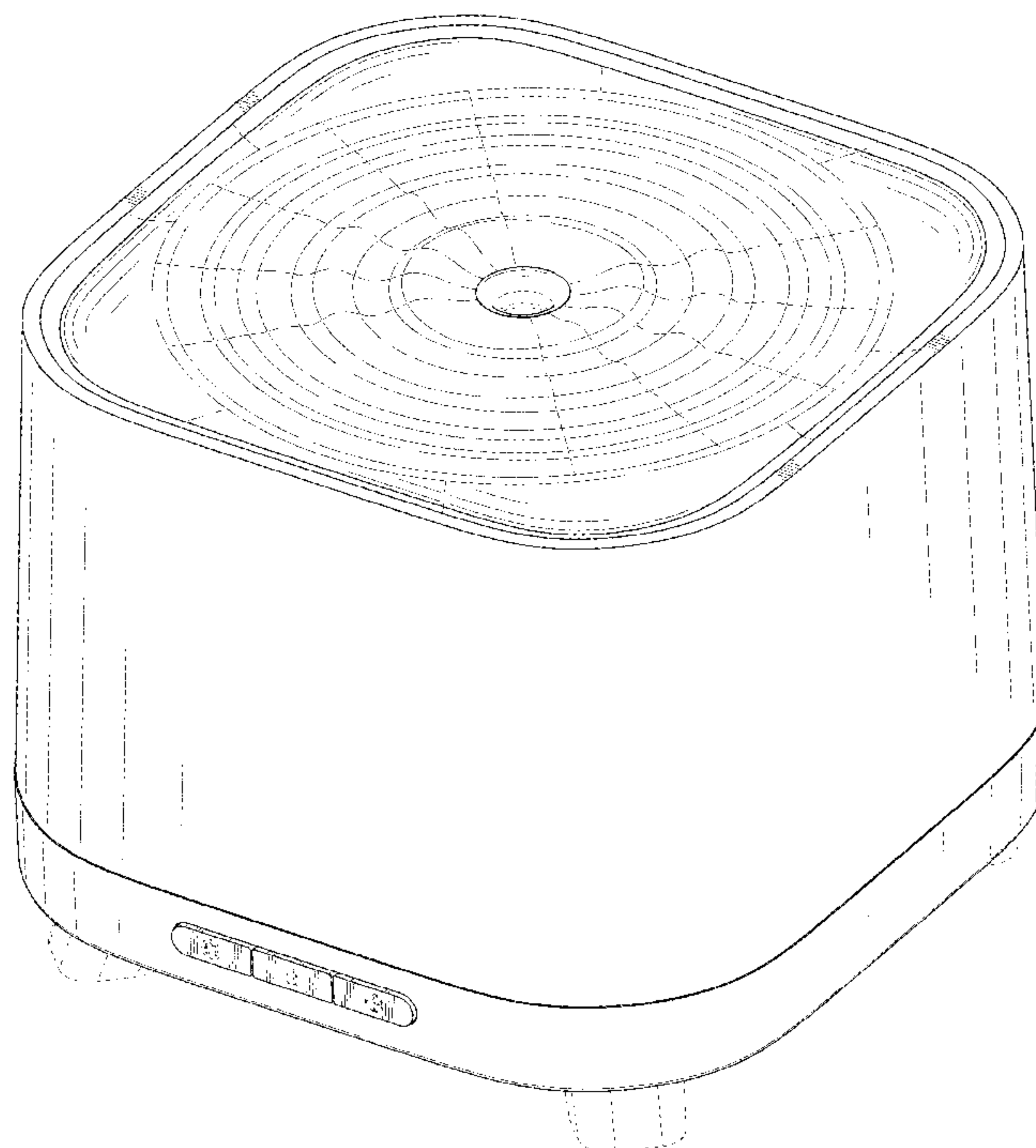
(57) **CLAIM**

The ornamental design for an aromatherapy machine, as shown and described.

DESCRIPTION

FIG. 1 is a perspective view of an aromatherapy machine showing my new design;
FIG. 2 is another perspective view thereof;
FIG. 3 is a front elevational view thereof;
FIG. 4 is a rear elevational view thereof;
FIG. 5 is a left side elevational view thereof;
FIG. 6 is a right side elevational view thereof;
FIG. 7 is a top plan view thereof; and,
FIG. 8 is a bottom plan view thereof.
The dash-dash broken lines in the drawings depict portions of the aromatherapy machine that form no part of the claimed design.

1 Claim, 8 Drawing Sheets



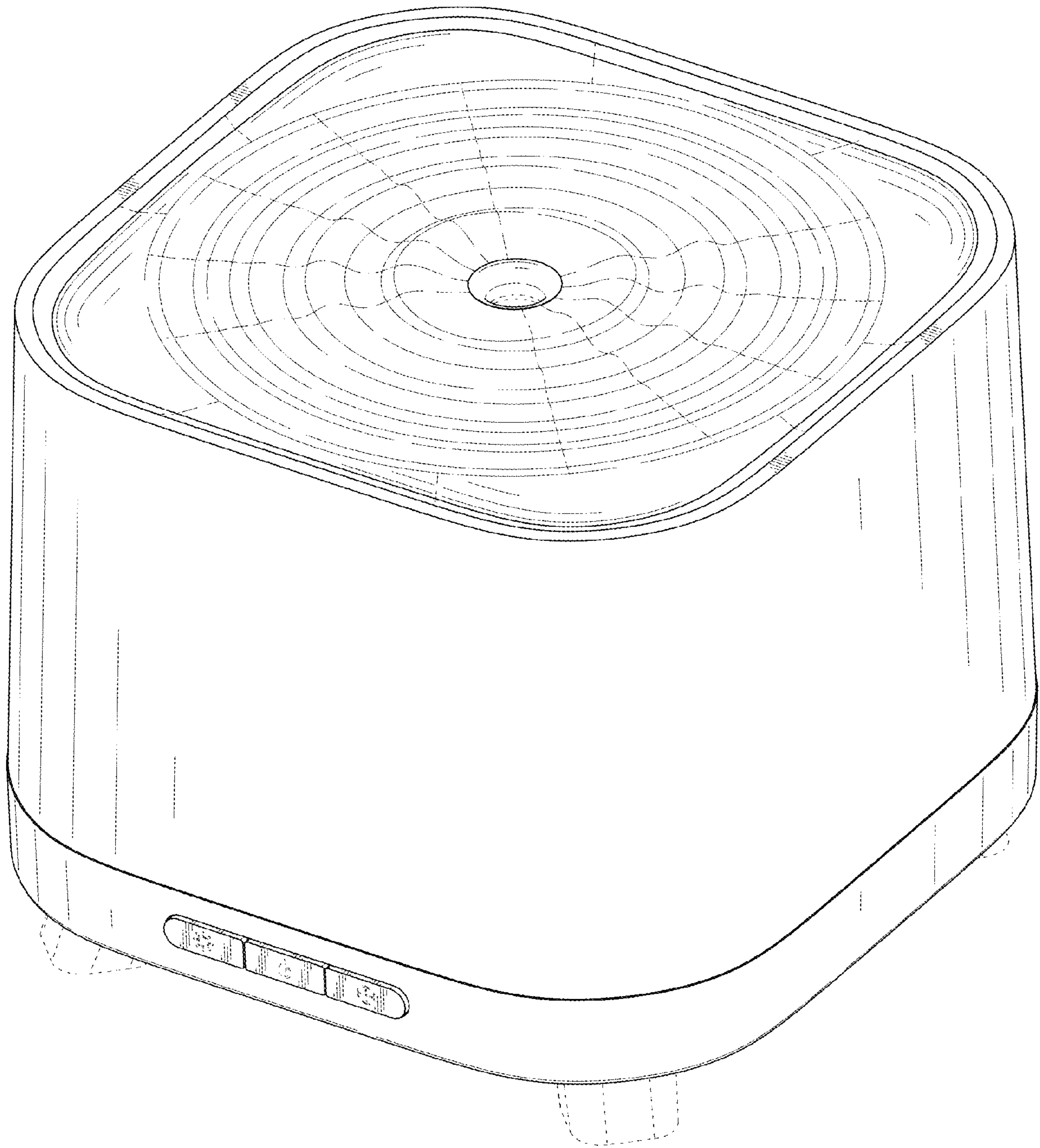


FIG. 1

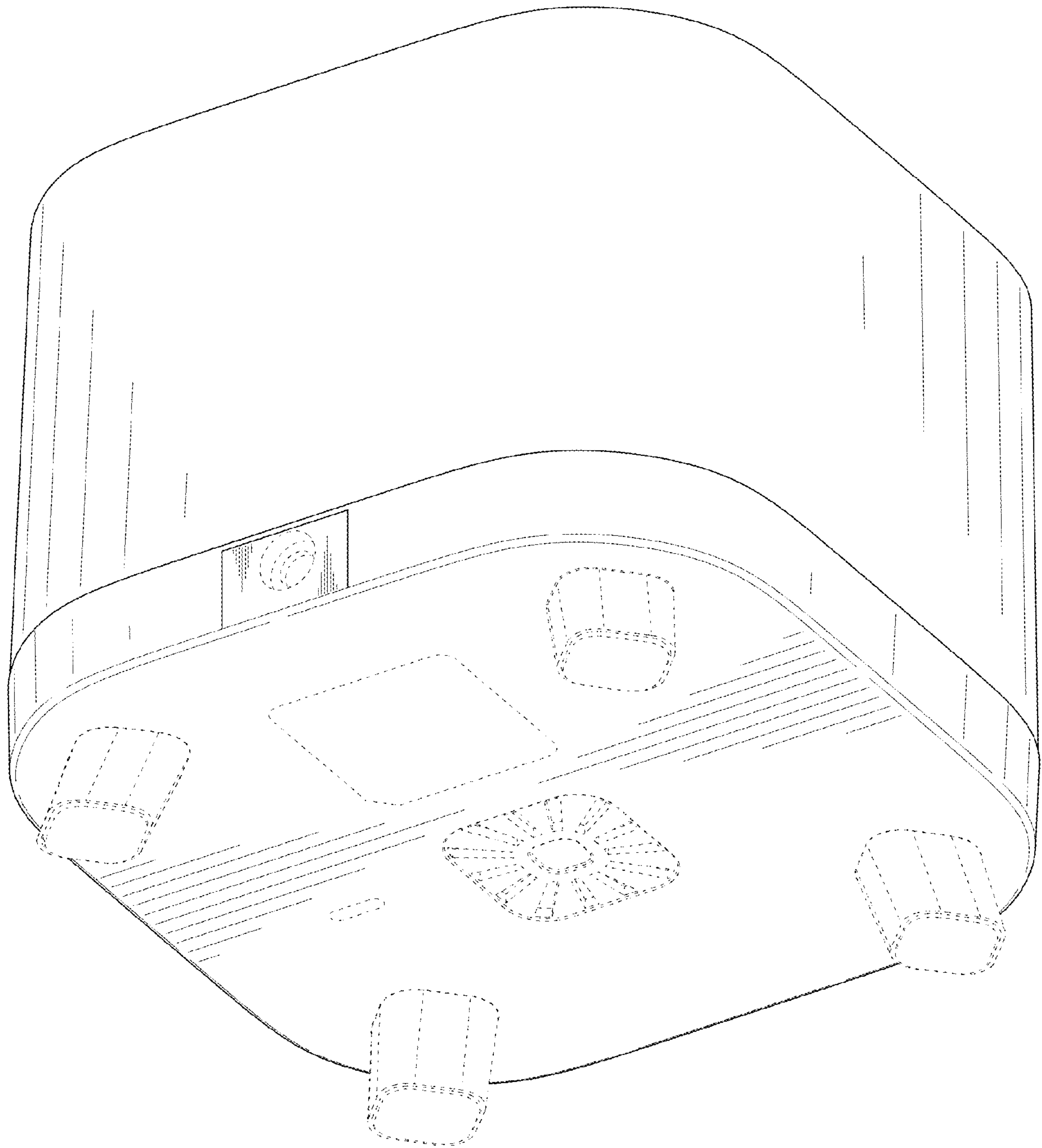


FIG. 2

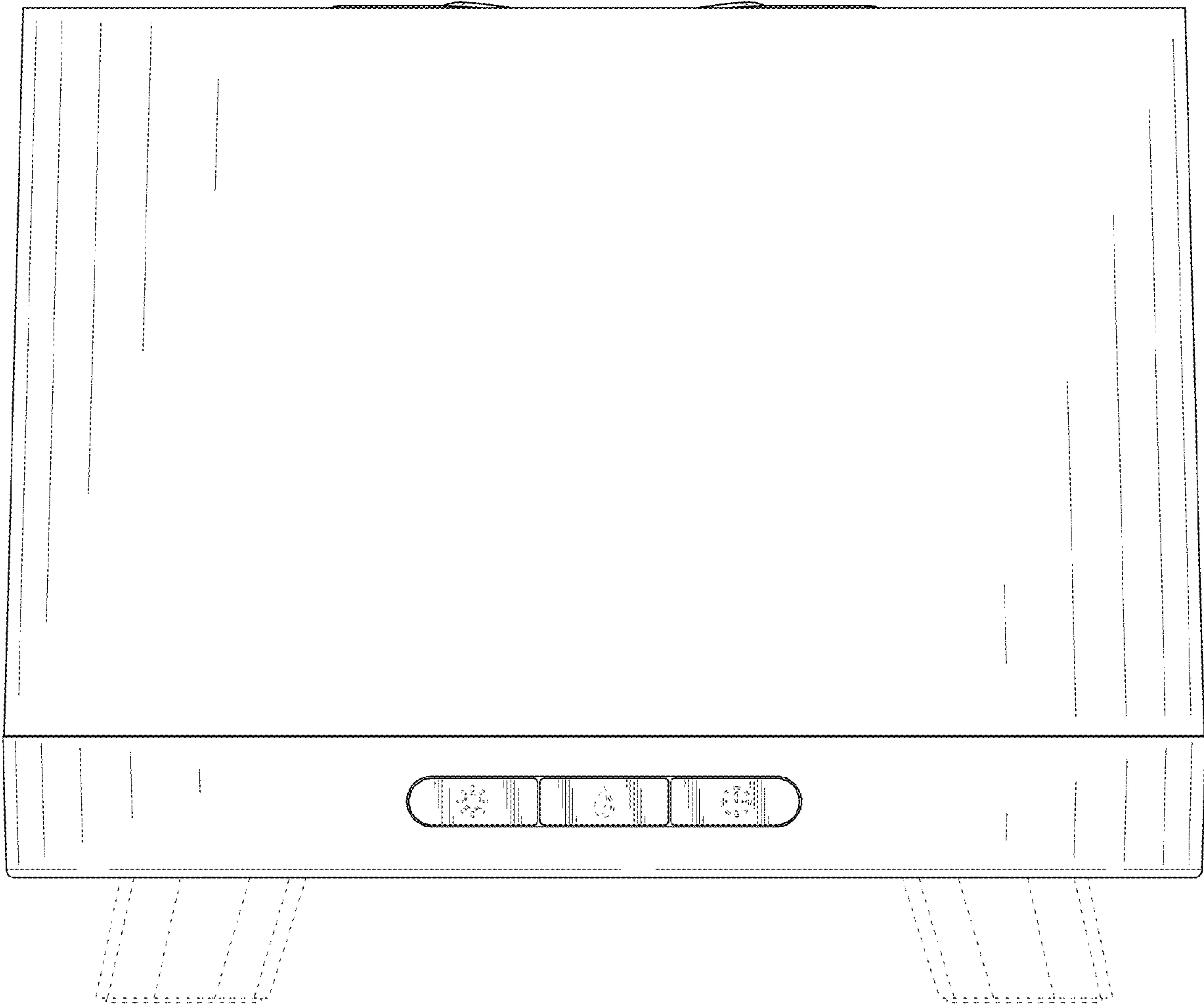


FIG. 3

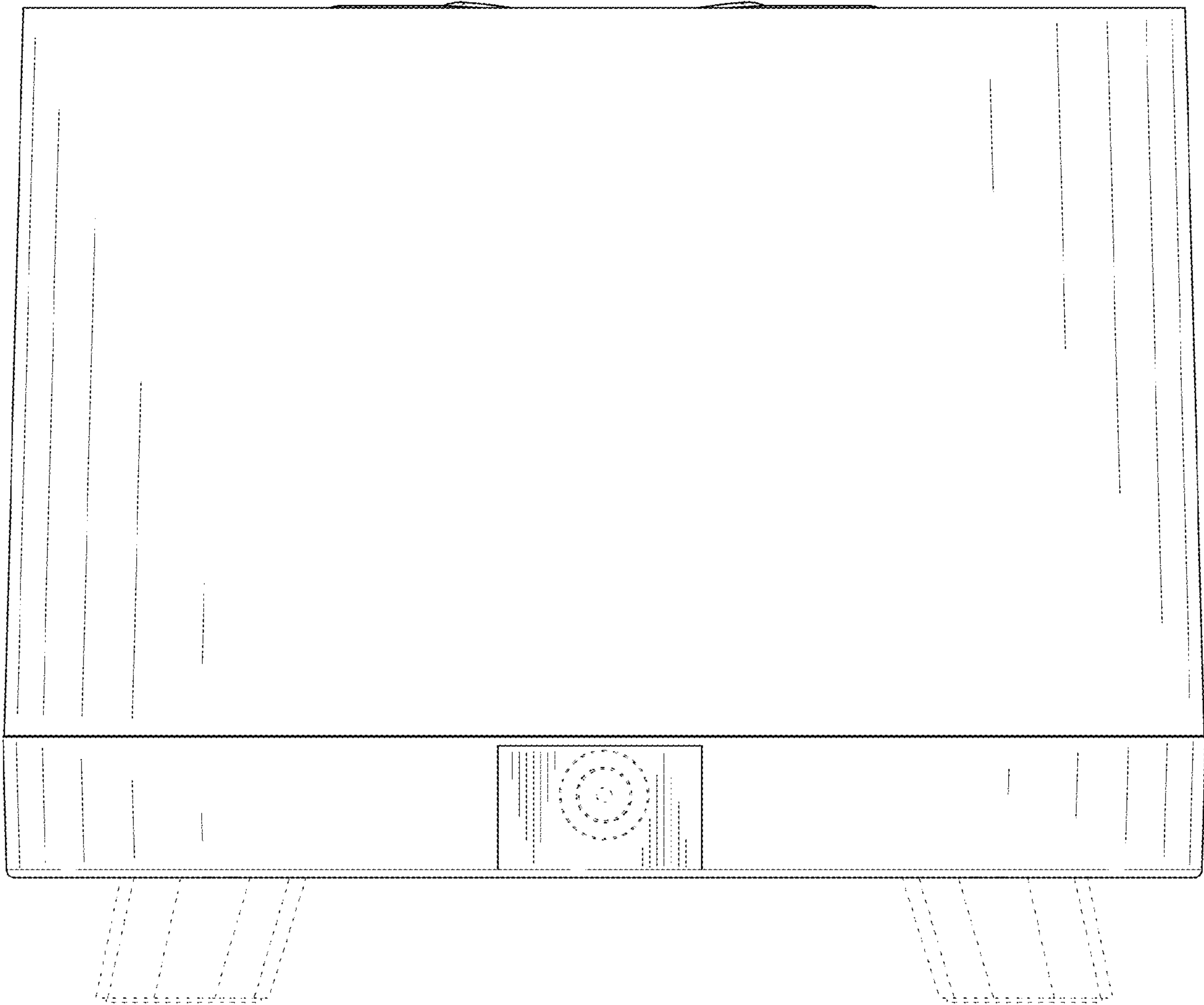


FIG. 4

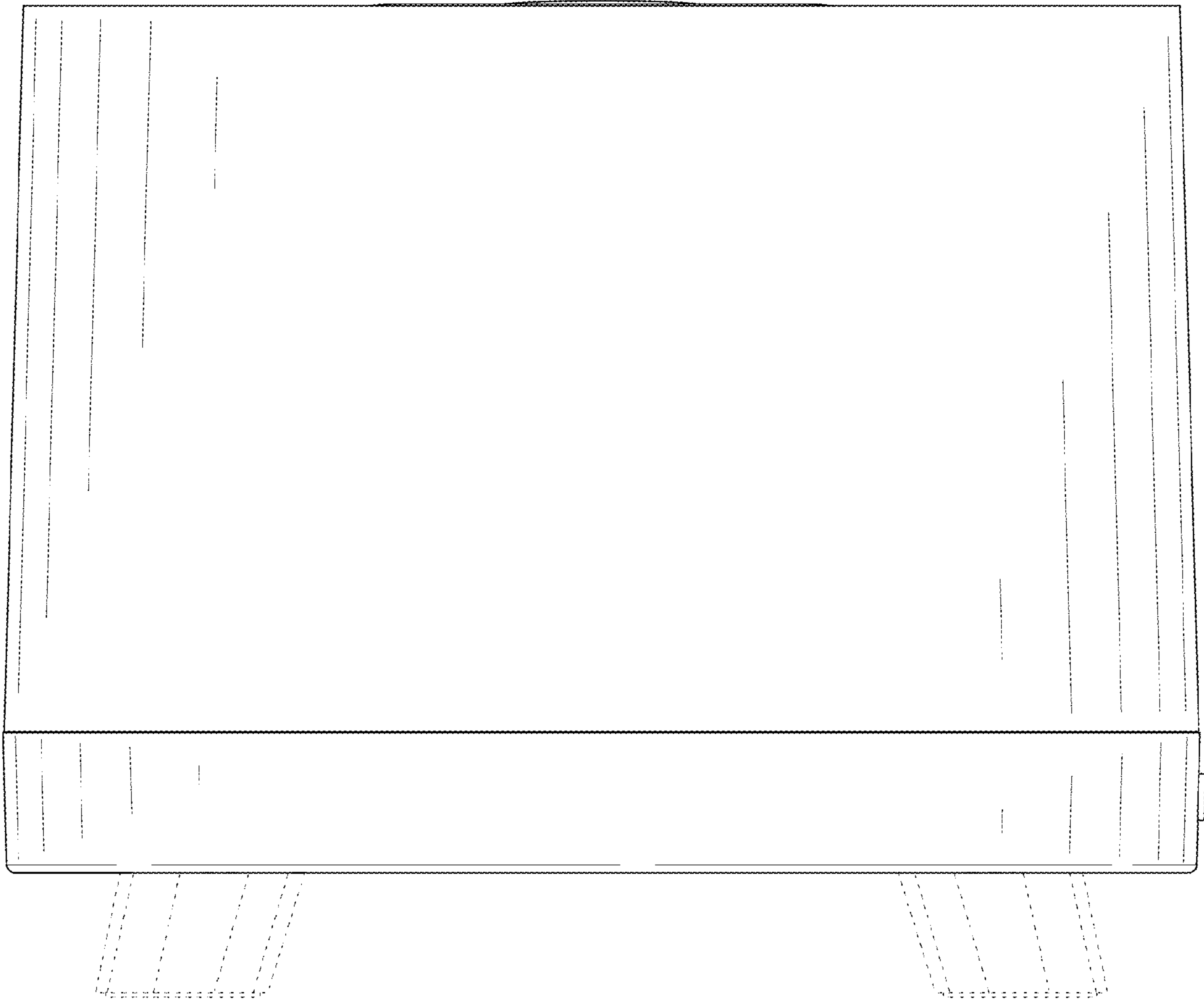


FIG. 5

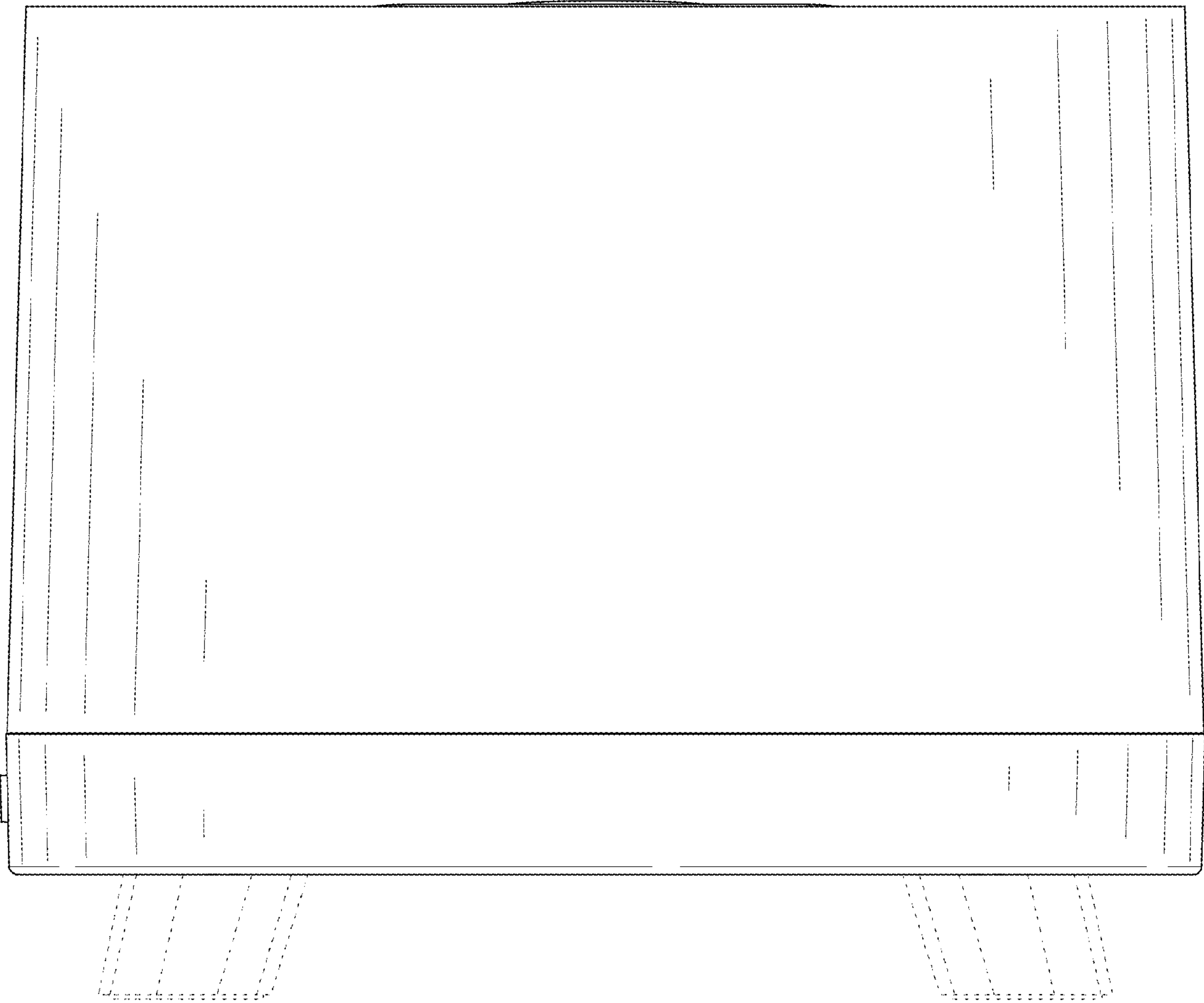


FIG. 6

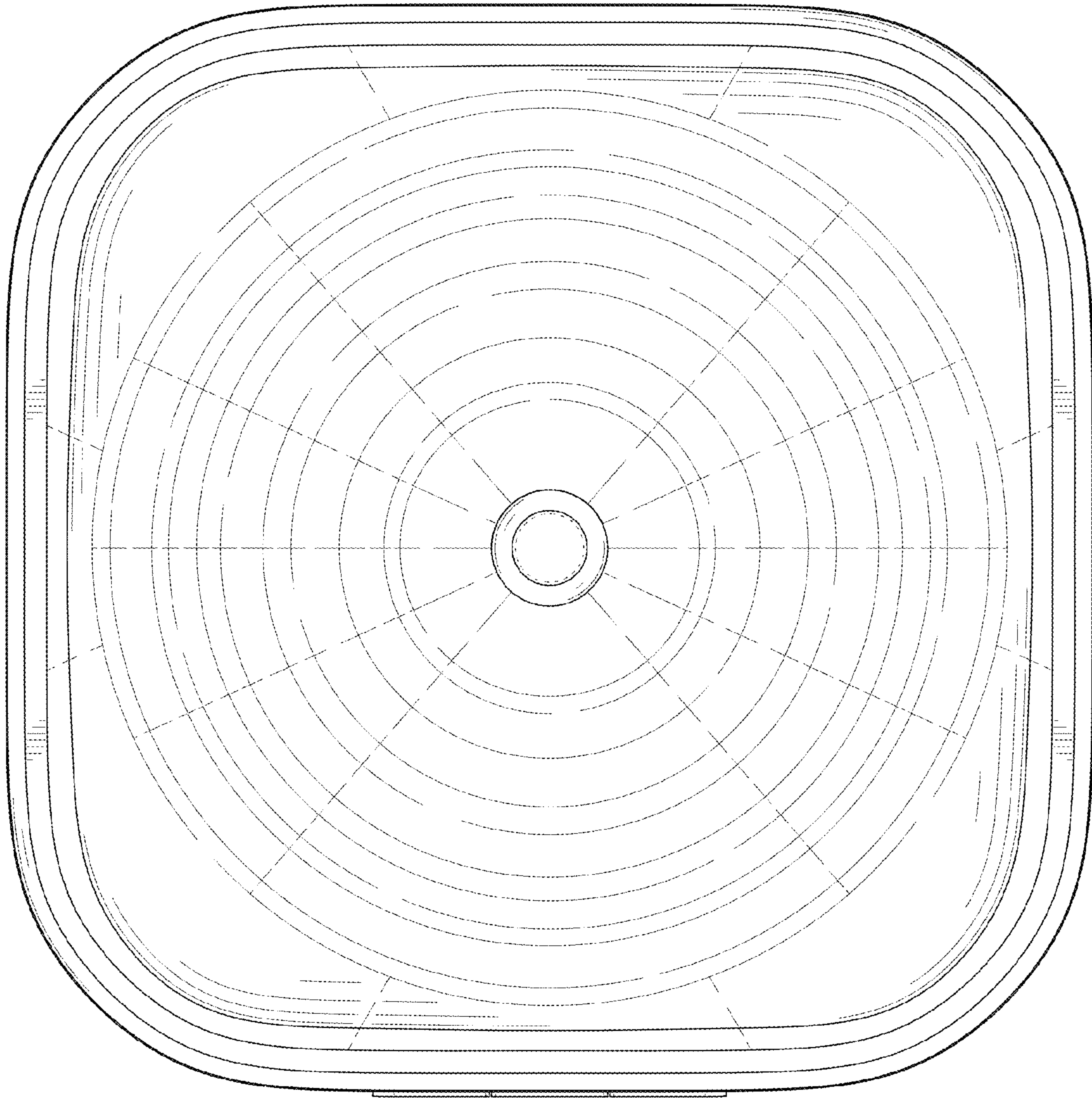


FIG. 7

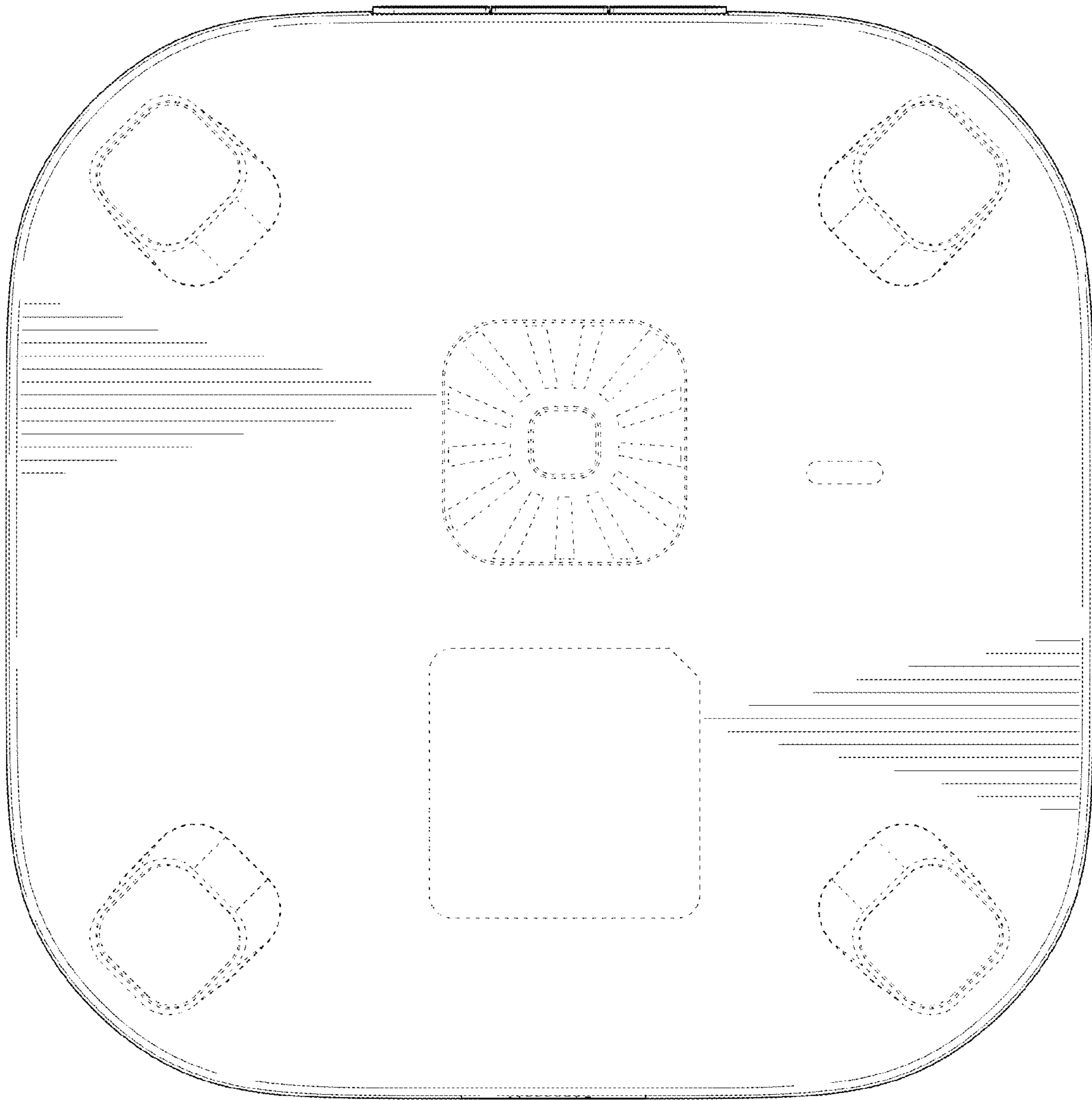


FIG. 8