



US00D980402S

(12) **United States Design Patent** (10) **Patent No.:** **US D980,402 S**  
**Li** (45) **Date of Patent:** **\*\* Mar. 7, 2023**

(54) **AIR FILTER**

FOREIGN PATENT DOCUMENTS

(71) Applicant: **Ruiyun Li**, Xinzheng (CN)

KR 301119708.0000 \* 7/2021

(72) Inventor: **Ruiyun Li**, Xinzheng (CN)

OTHER PUBLICATIONS

(\*\*) Term: **15 Years**

593260 Air Filter Replacement, first available Jun. 18, 2019[online], [site visited Jan. 6, 2023]. Available from internet, URL:<https://www.amazon.ca/593260-Filter-Briggs-Stratton-Lawnmower/dp/B07T8XPDDH> (Year: 2019).\*

(21) Appl. No.: **29/860,602**

Briggs & Stratton 992375 500E-Series Air Filter, first available Oct. 12, 2015[online], [site visited Jan. 9, 2023]. Available from internet, URL:<https://www.amazon.co.uk/Briggs-Stratton-992375-500E-Filter/dp/B016BXX1IU?th=1> (Year: 2015).\*

(22) Filed: **Nov. 21, 2022**

(51) **LOC (14) Cl.** ..... **23-01**

(52) **U.S. Cl.**  
USPC ..... **D23/365**

(58) **Field of Classification Search**

USPC ..... D23/332, 336, 351, 355-356, 359, D23/364-366, 366-367, 378, 499  
CPC ..... F24F 1/029; F24F 1/035; F24F 1/0287; F24F 6/06; F24F 6/14; F24F 13/06; F24F 13/20; F24F 13/222; F24F 3/16; F24F 3/1405

\* cited by examiner

*Primary Examiner* — David G Muller

*Assistant Examiner* — Jamaal Rasheed

(74) *Attorney, Agent, or Firm* — Daniel M. Cohn; Howard M. Cohn

See application file for complete search history.

(57) **CLAIM**

The ornamental design for an air filter, as shown and described.

(56) **References Cited**

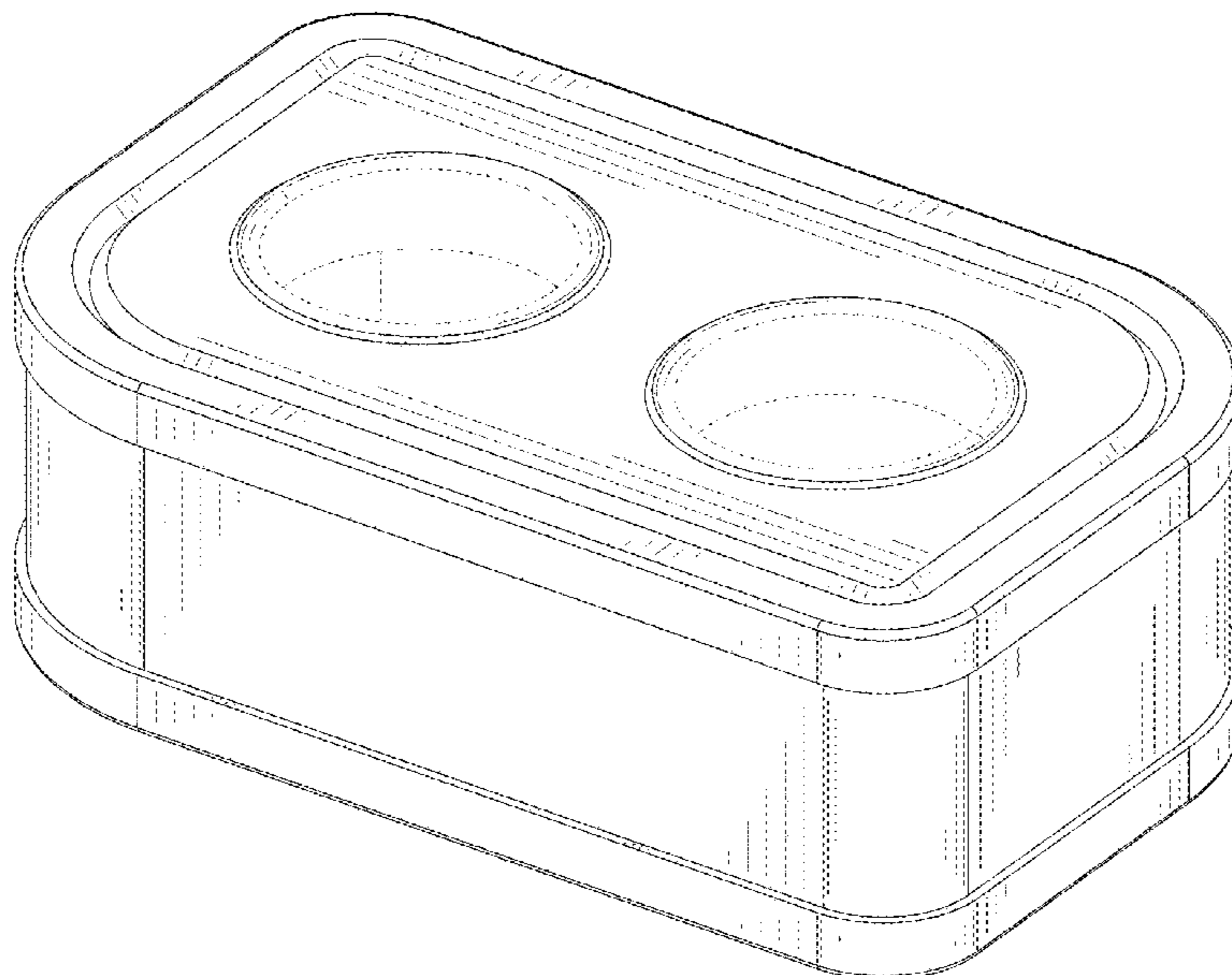
U.S. PATENT DOCUMENTS

5,102,436 A \* 4/1992 Grabowski ..... B01D 46/62 55/525  
D512,493 S \* 12/2005 Haranaka ..... D23/355  
D513,070 S \* 12/2005 Haranaka ..... D23/355  
D518,420 S \* 4/2006 Schmidt ..... D12/126  
D609,795 S \* 2/2010 Yeung ..... D23/332  
D657,857 S \* 4/2012 Choi ..... D23/364  
D689,999 S \* 9/2013 Viala ..... D23/366  
D876,600 S 2/2020 Gleixner  
D914,187 S \* 3/2021 Bink ..... D23/365  
D914,864 S 3/2021 Roblin  
D958,951 S \* 7/2022 Sward ..... D23/364  
2009/0205302 A1 \* 8/2009 Rieger ..... B01D 46/527 55/498  
2020/0054982 A1 \* 2/2020 Decoster ..... B01D 46/0001  
2020/0070082 A1 \* 3/2020 Fry ..... B23B 47/34  
2021/0060470 A1 \* 3/2021 Ran ..... B01D 46/12

**DESCRIPTION**

FIG. 1 is a perspective view of an air filter showing my new design;  
FIG. 2 is another perspective view thereof;  
FIG. 3 is a front elevational view thereof;  
FIG. 4 is a rear elevational view thereof;  
FIG. 5 is a left side elevational view thereof;  
FIG. 6 is a right side elevational view thereof;  
FIG. 7 is a top plan view thereof; and,  
FIG. 8 is a bottom plan view thereof.  
The broken lines in the drawings depict portions of the air filter that form no part of the claimed design.

**1 Claim, 8 Drawing Sheets**



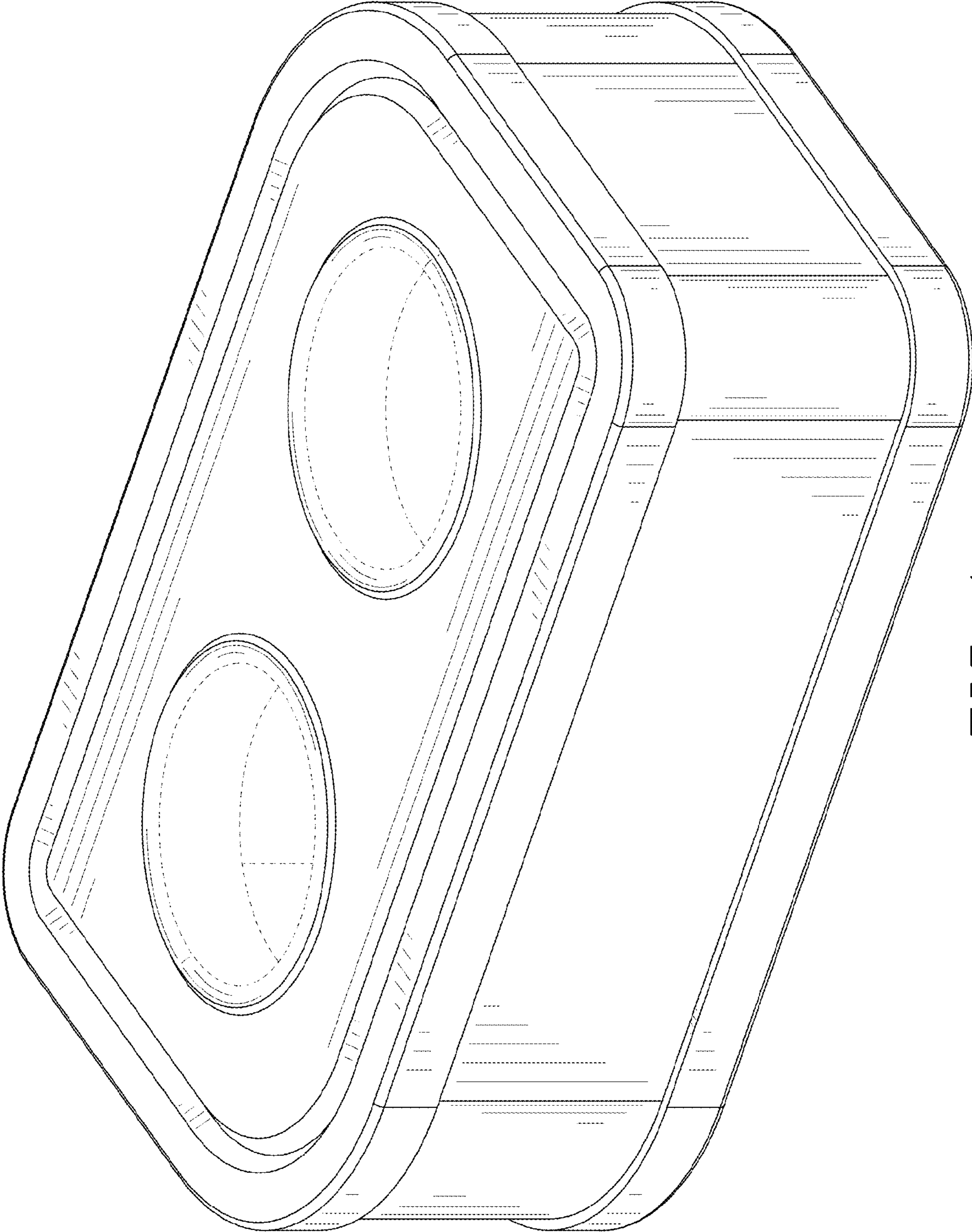


FIG. 1

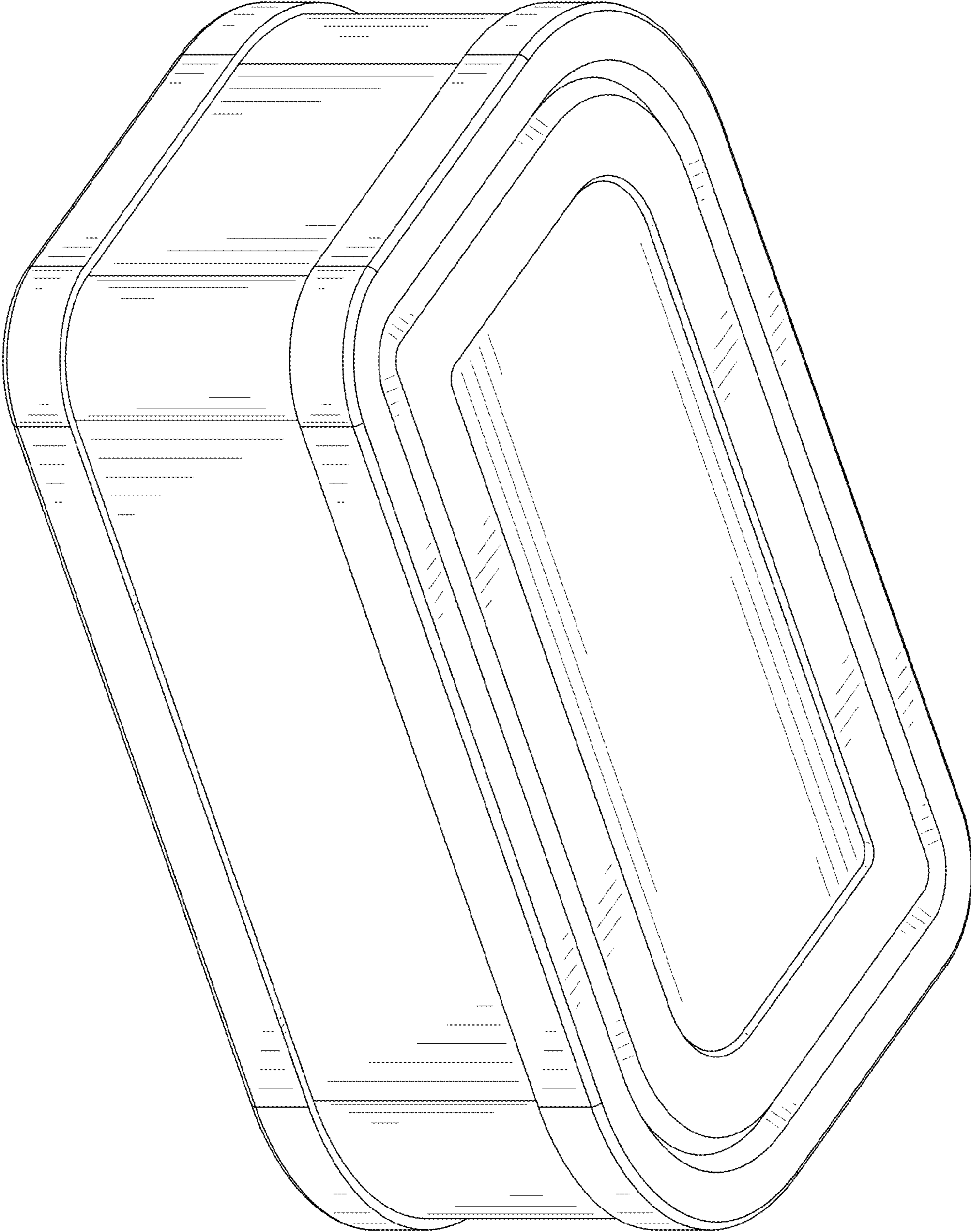


FIG. 2



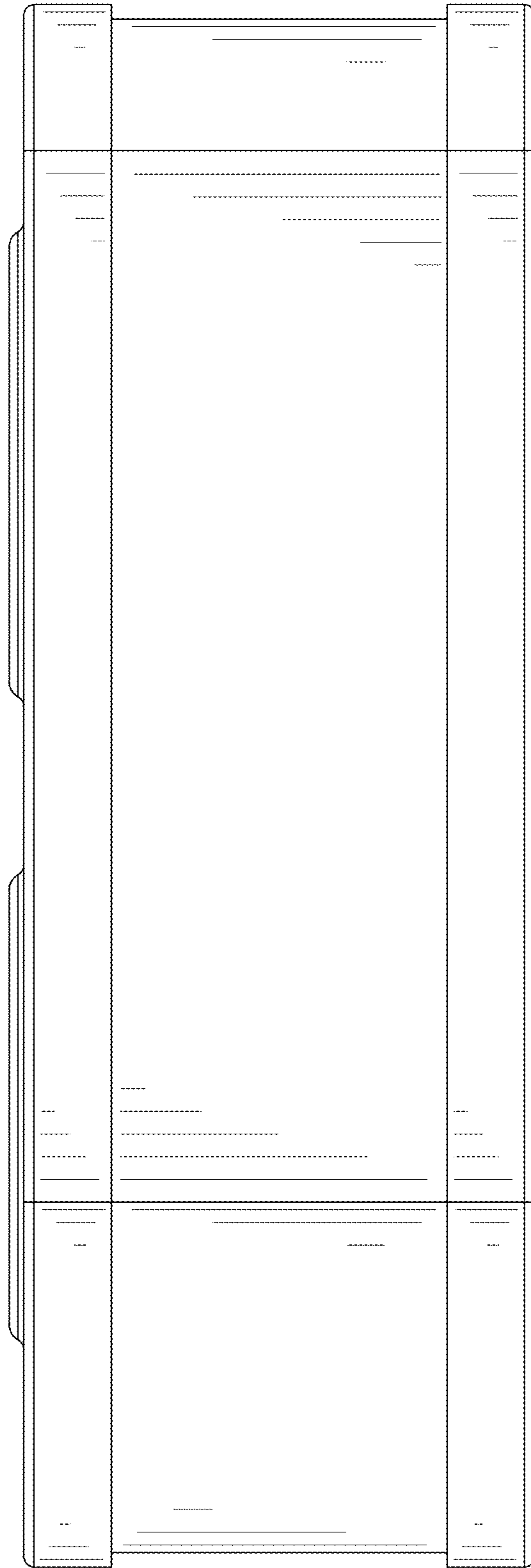


FIG. 3

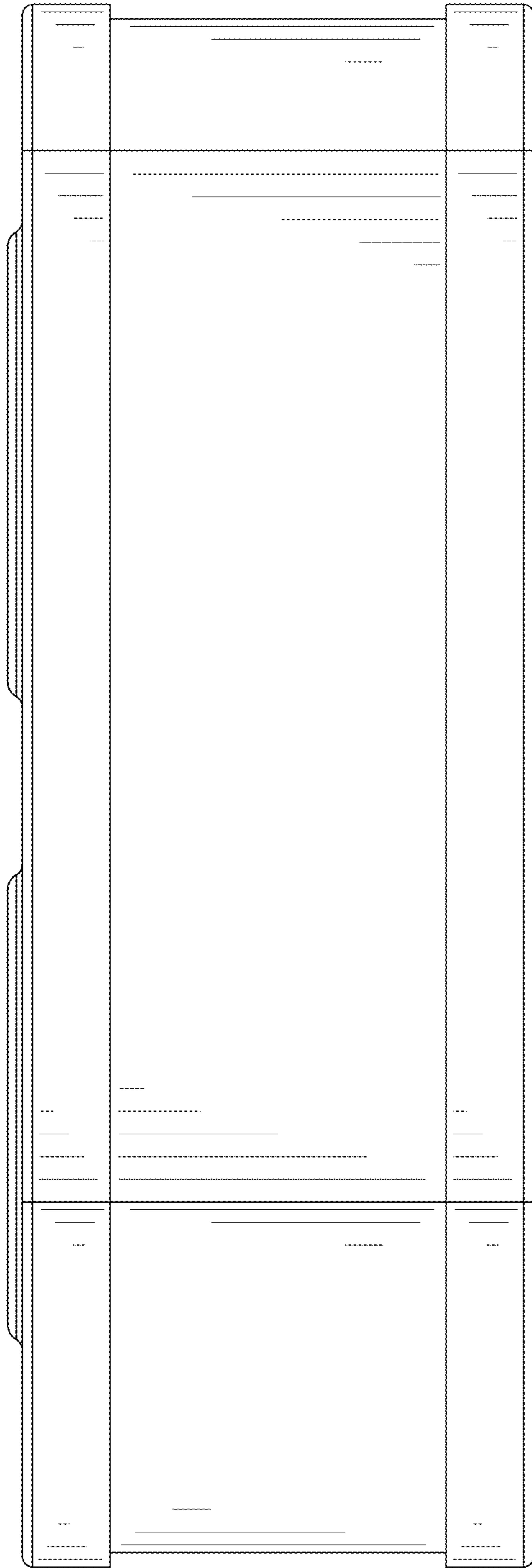


FIG. 4

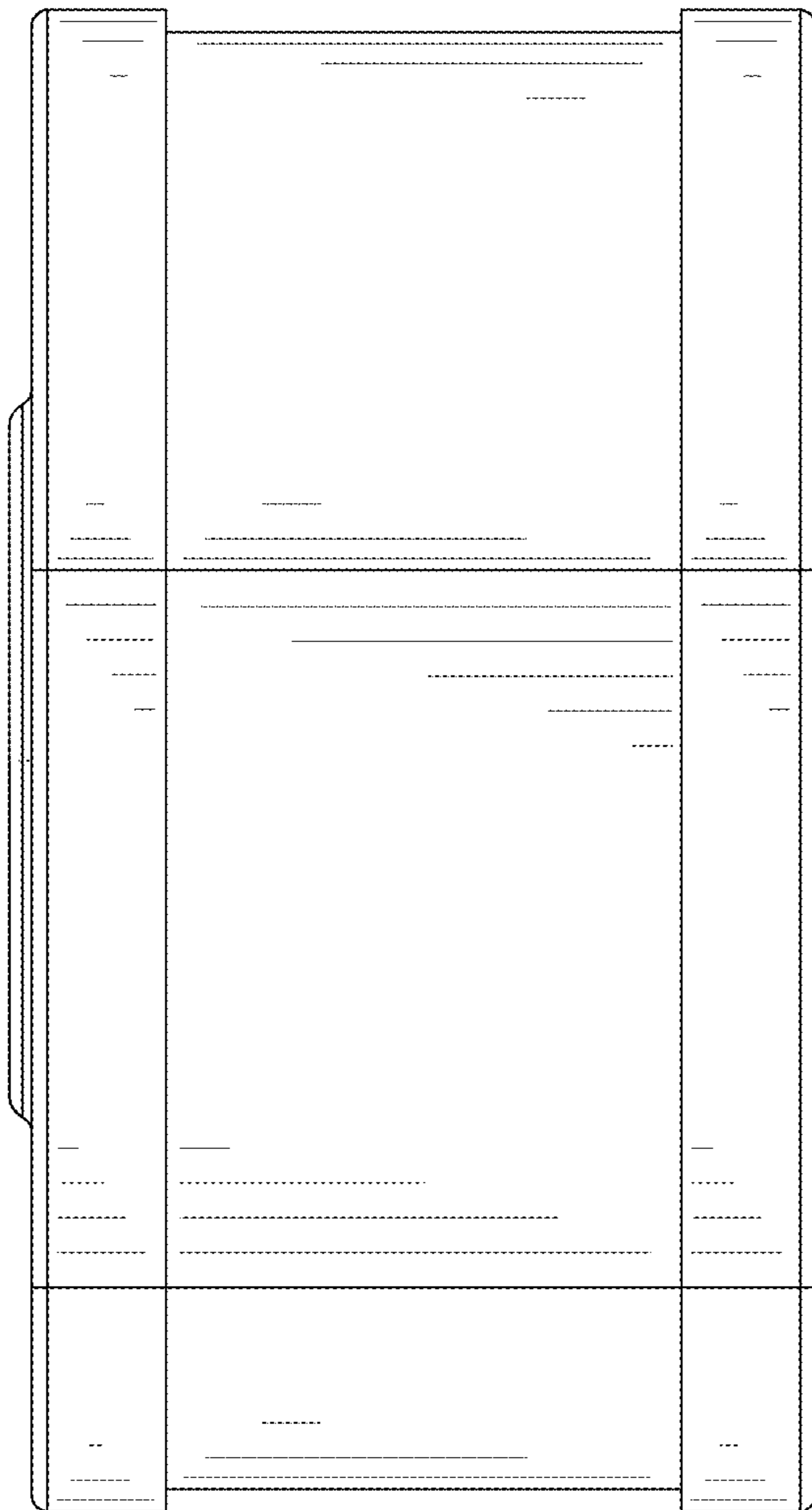


FIG. 5

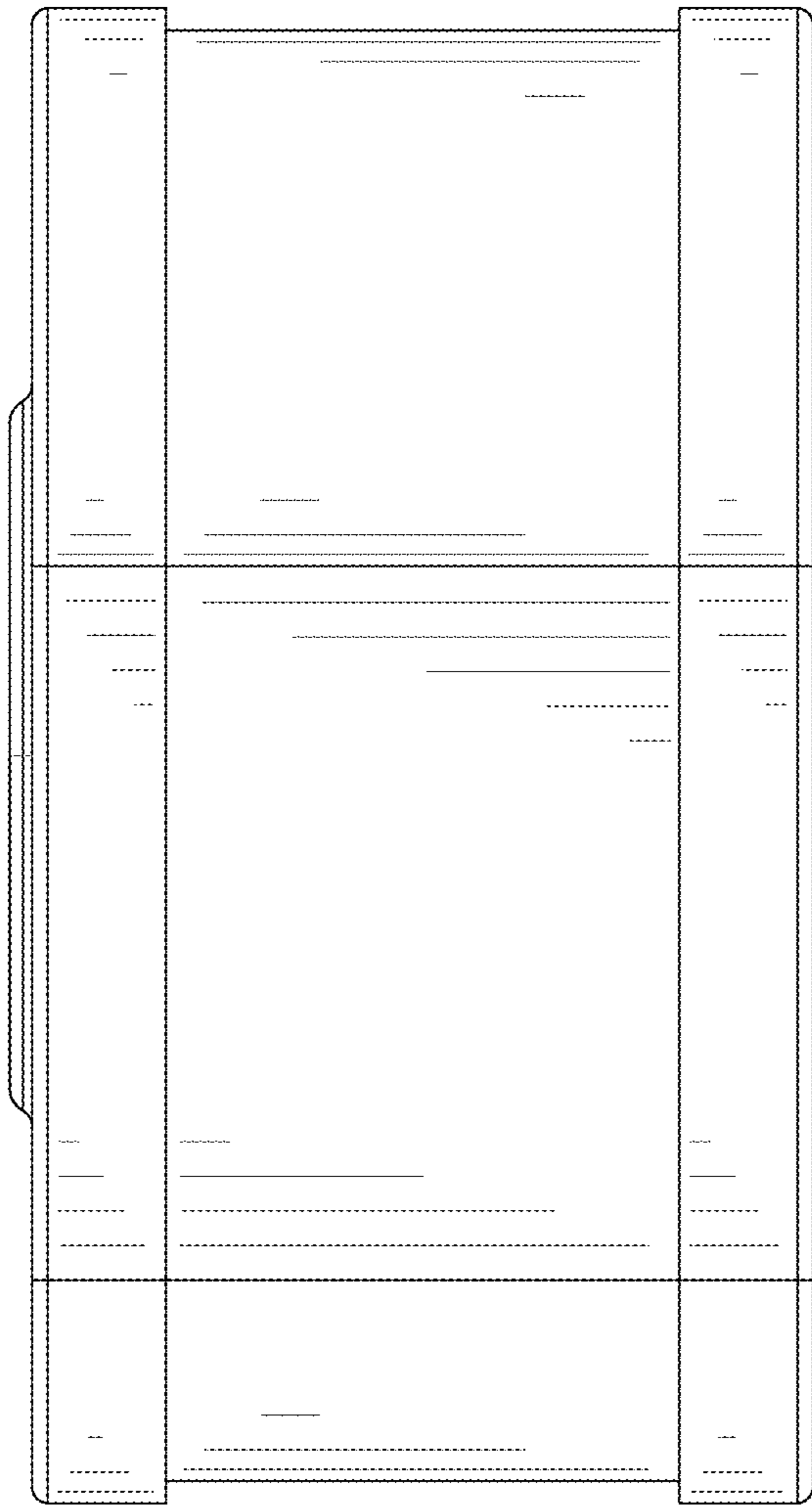


FIG. 6

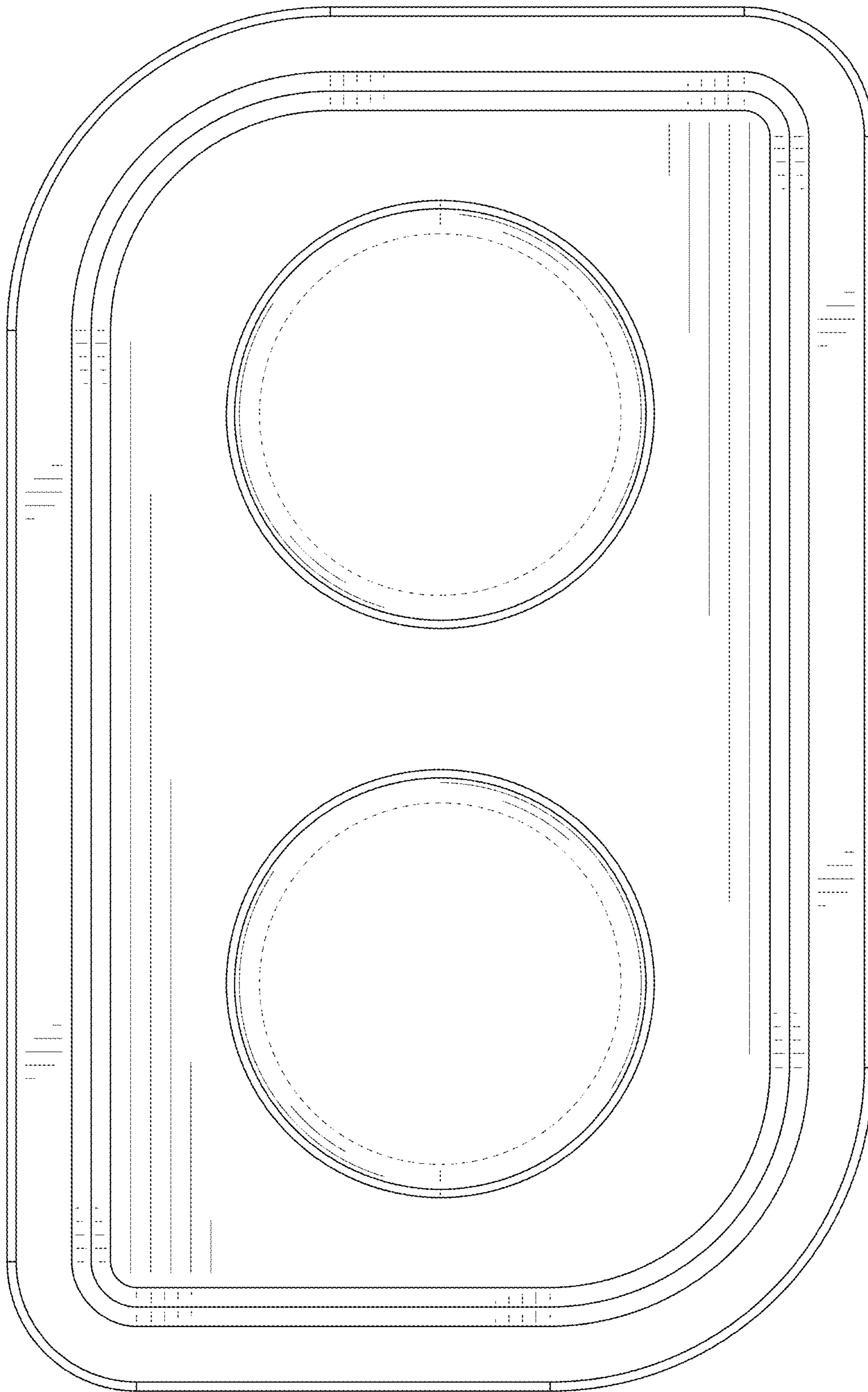


FIG. 7



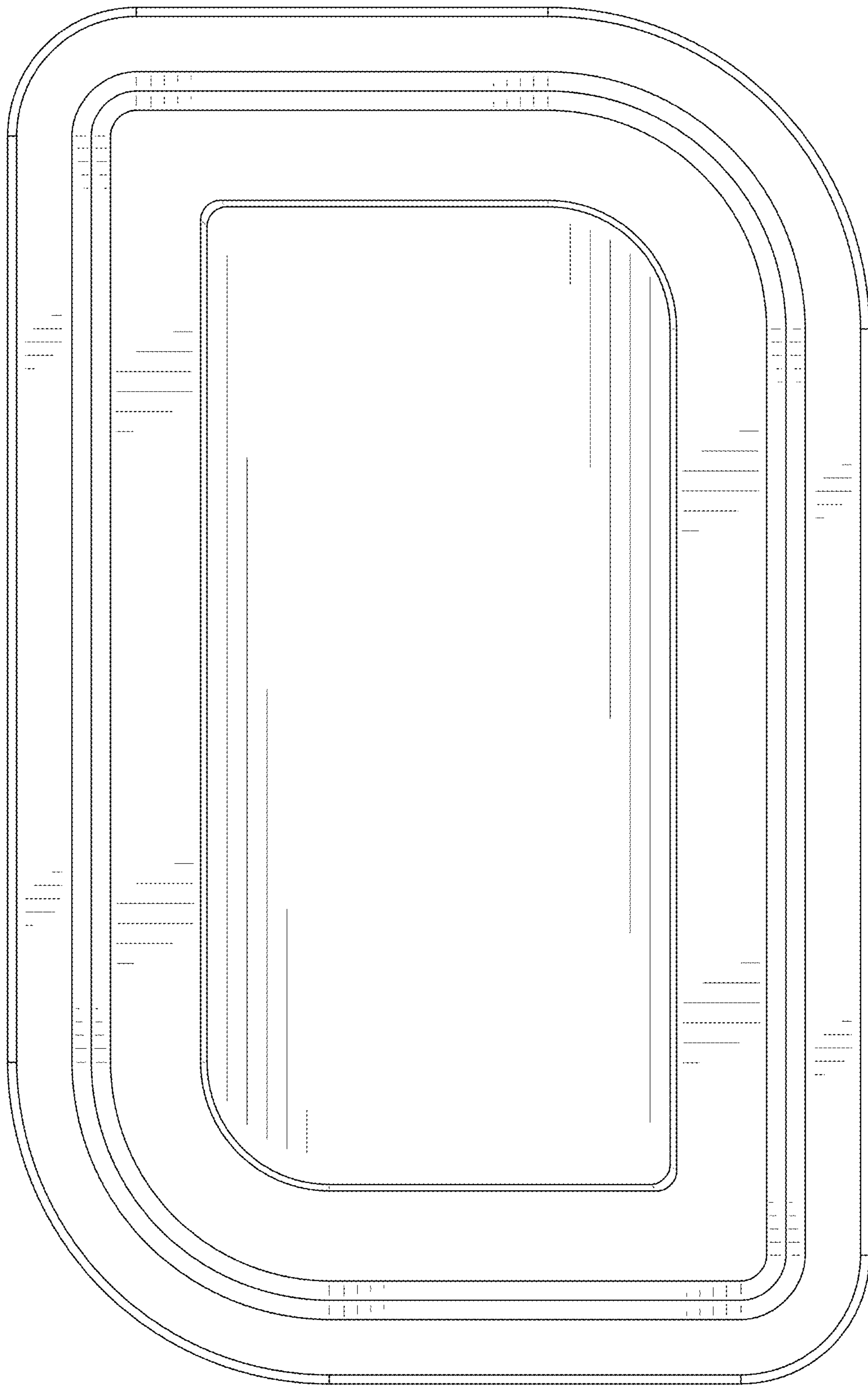


FIG. 8