



US00D980395S

(12) **United States Design Patent**
Zhu

(10) **Patent No.:** **US D980,395 S**
(45) **Date of Patent:** **** Mar. 7, 2023**

(54) **STOOL**

D820,472 S 6/2018 Memran et al.
D904,584 S * 12/2020 Stroikov D23/296
D955,124 S 6/2022 Xu

(71) Applicant: **Huiming Zhu**, Ji'an (CN)

(72) Inventor: **Huiming Zhu**, Ji'an (CN)

(**) Term: **15 Years**

(21) Appl. No.: **29/856,200**

(22) Filed: **Oct. 11, 2022**

(51) **LOC (14) Cl.** **23-02**

(52) **U.S. Cl.**
USPC **D23/296**

(58) **Field of Classification Search**
USPC D23/296, 309, 311; D6/339, 350;
D25/65, 69

See application file for complete search history.

(56) **References Cited**

U.S. PATENT DOCUMENTS

4,777,672	A	*	10/1988	Gebhard	A47K 11/04
						297/130
D307,629	S	*	5/1990	Takahashi	D23/296
D346,206	S	*	4/1994	Crossley	D23/296
D414,566	S		9/1999	Gibson et al.		
D458,385	S		6/2002	Rosko		
D465,289	S		11/2002	Gibson et al.		
D562,991	S		2/2008	Meyers et al.		
D565,745	S	*	4/2008	Meyers	D25/65
D568,974	S	*	5/2008	McDowell	D23/309
D570,461	S	*	6/2008	Desnos-Simon	D23/296
D594,135	S		6/2009	Jane Stopp		
D618,321	S	*	6/2010	Yeung	D23/296

OTHER PUBLICATIONS

Potty Training Ladder—Soft Cushioned Seat, Adjustable Height, Collapsible, Non-Slip with Splash Guard—Ready Step Go!—Jool Baby. https://www.amazon.com/Potty-Training-Ladder-Adjustable-Collapsible/dp/B09WJMQFDH/ref=asc_df_B09WJMQFDH/?tag=hyprod-20&linkCode=df0&hvadid=599494676632&hvpos=&hvnetw=g&h (Year: 2022).*

* cited by examiner

Primary Examiner — Robert A Delehanty
(74) *Attorney, Agent, or Firm* — SciNova IP and Regulatory Consulting LLC; Jingfeng Song

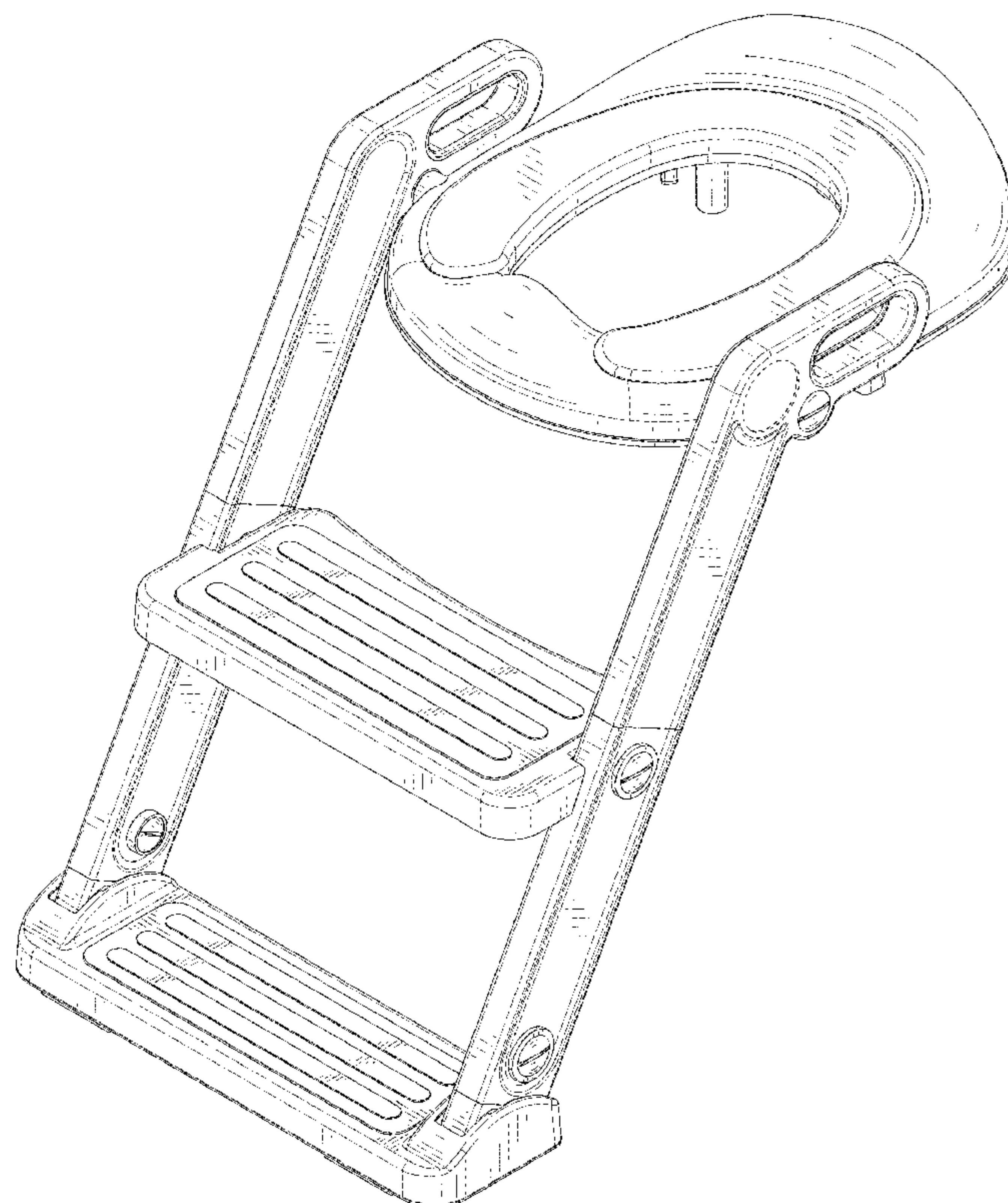
(57) **CLAIM**

The ornamental design for stool, as shown and described.

DESCRIPTION

FIG. 1 is a front, right, and top perspective view of a stool, showing my new design;
FIG. 2 is a rear, left, and bottom perspective view thereof;
FIG. 3 is a front elevational view thereof;
FIG. 4 is a rear elevational view thereof;
FIG. 5 is a left elevational view thereof;
FIG. 6 is a right elevational view thereof;
FIG. 7 is a top plan view thereof; and,
FIG. 8 is a bottom plan view thereof.
The broken lines depict portions of stool and form no part of the claimed design.

1 Claim, 8 Drawing Sheets



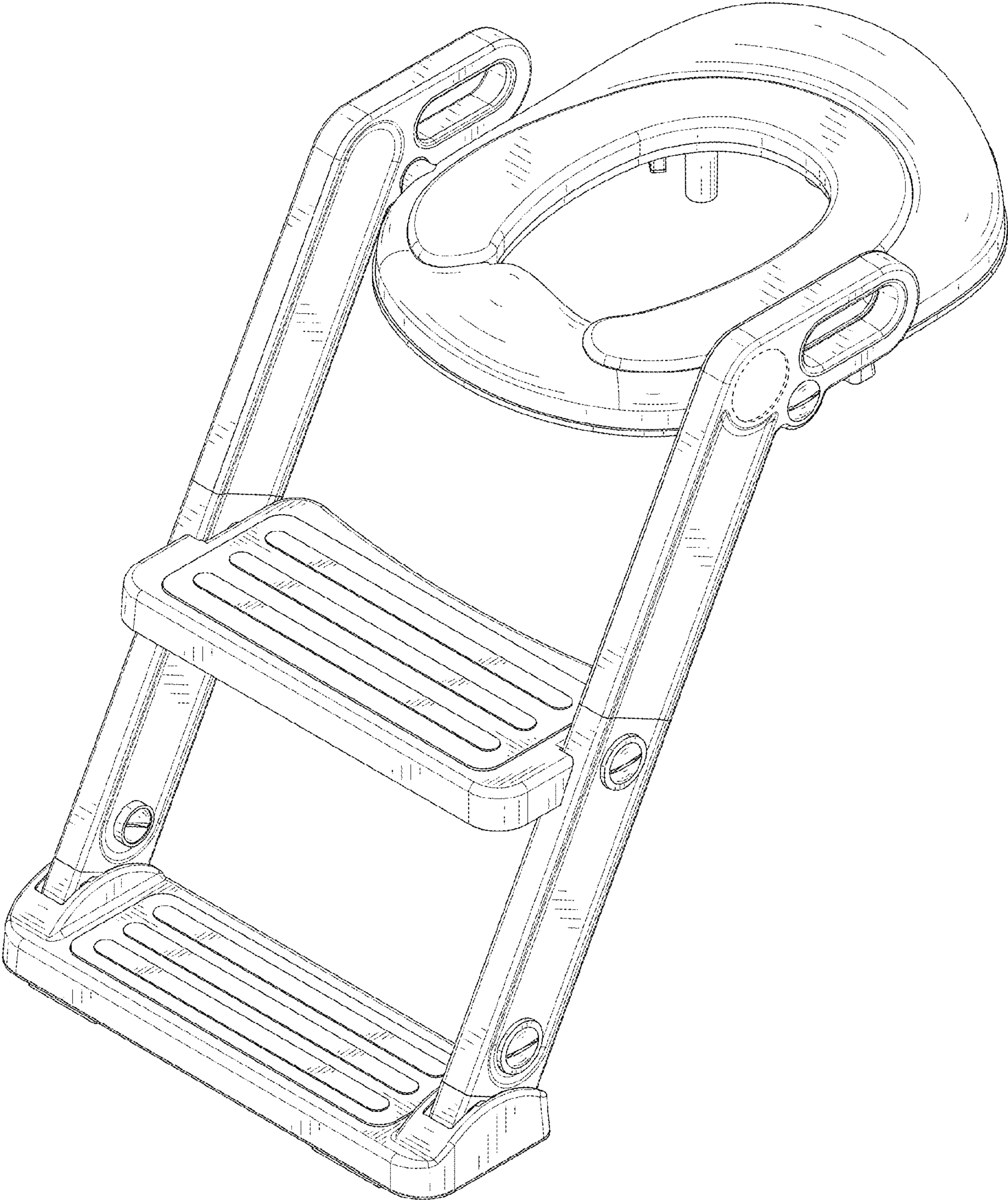


FIG. 1

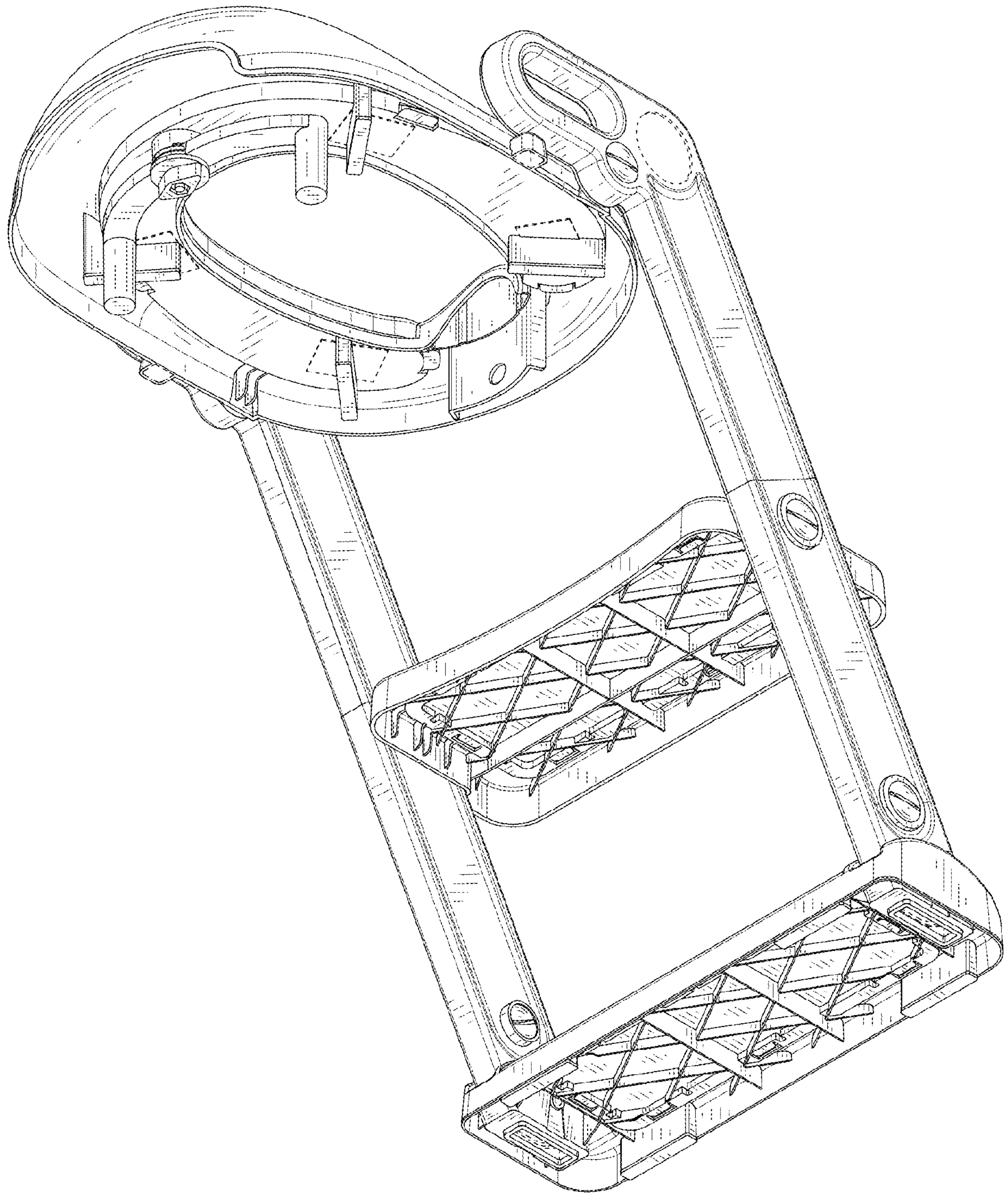


FIG. 2

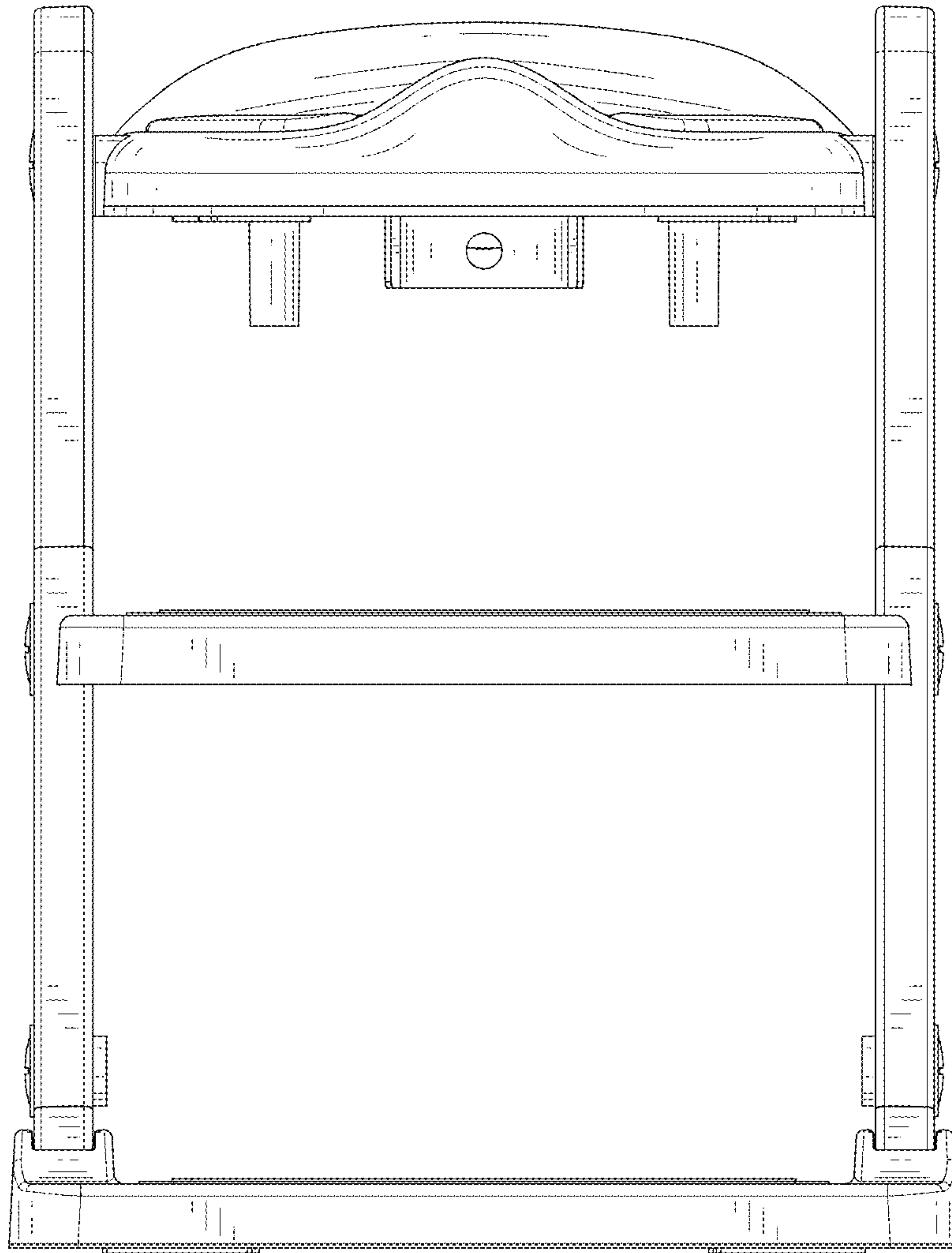


FIG. 3

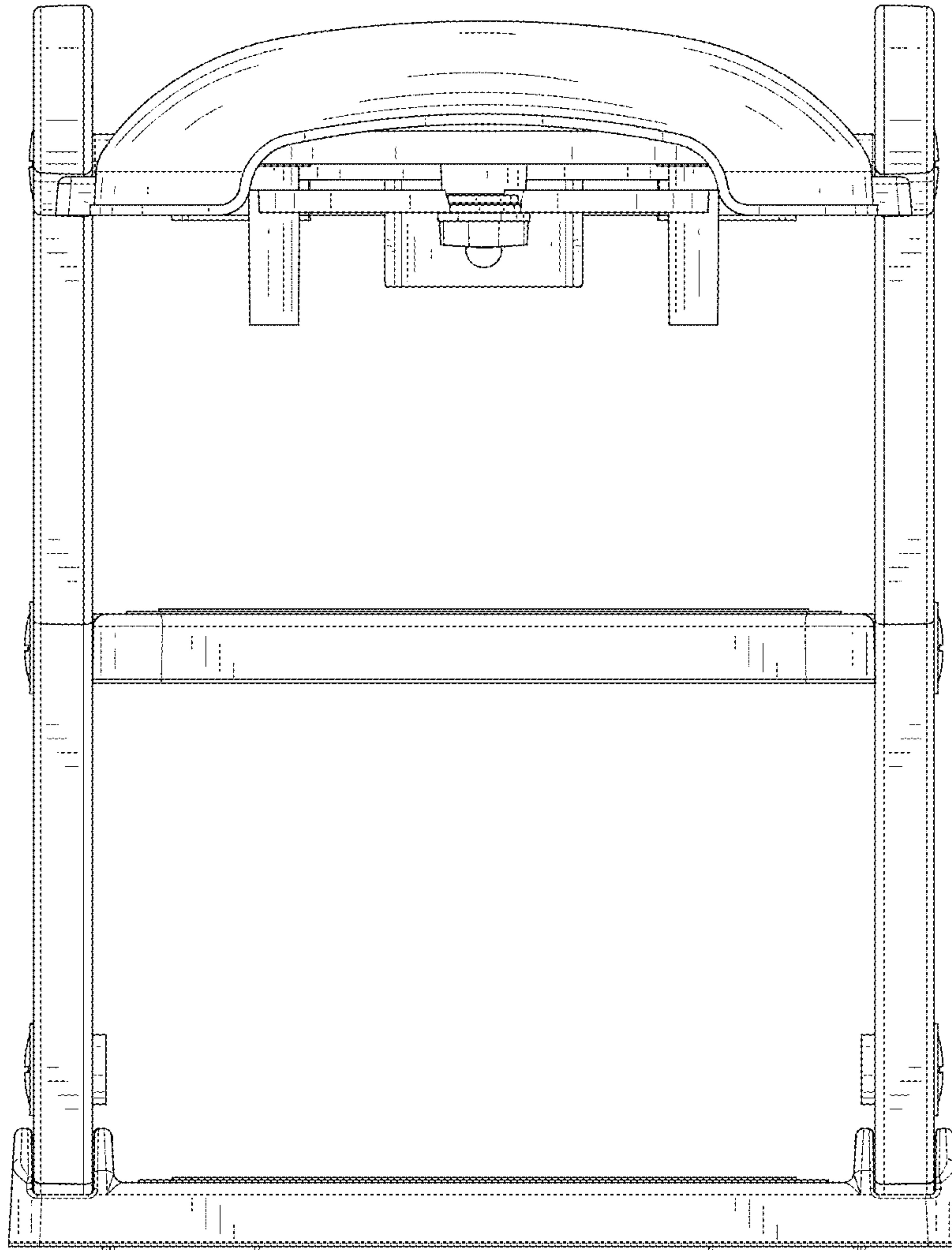


FIG. 4

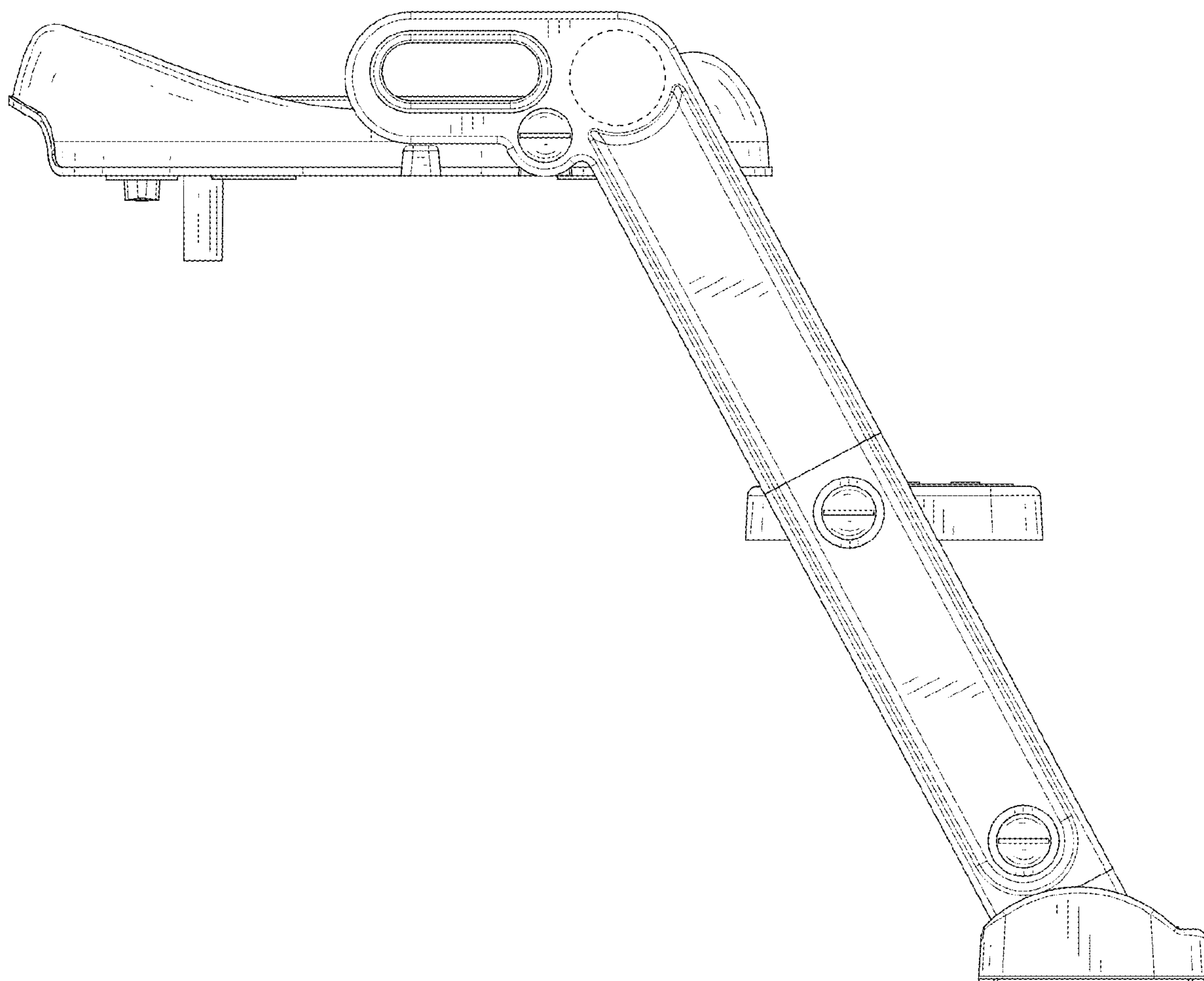


FIG. 5

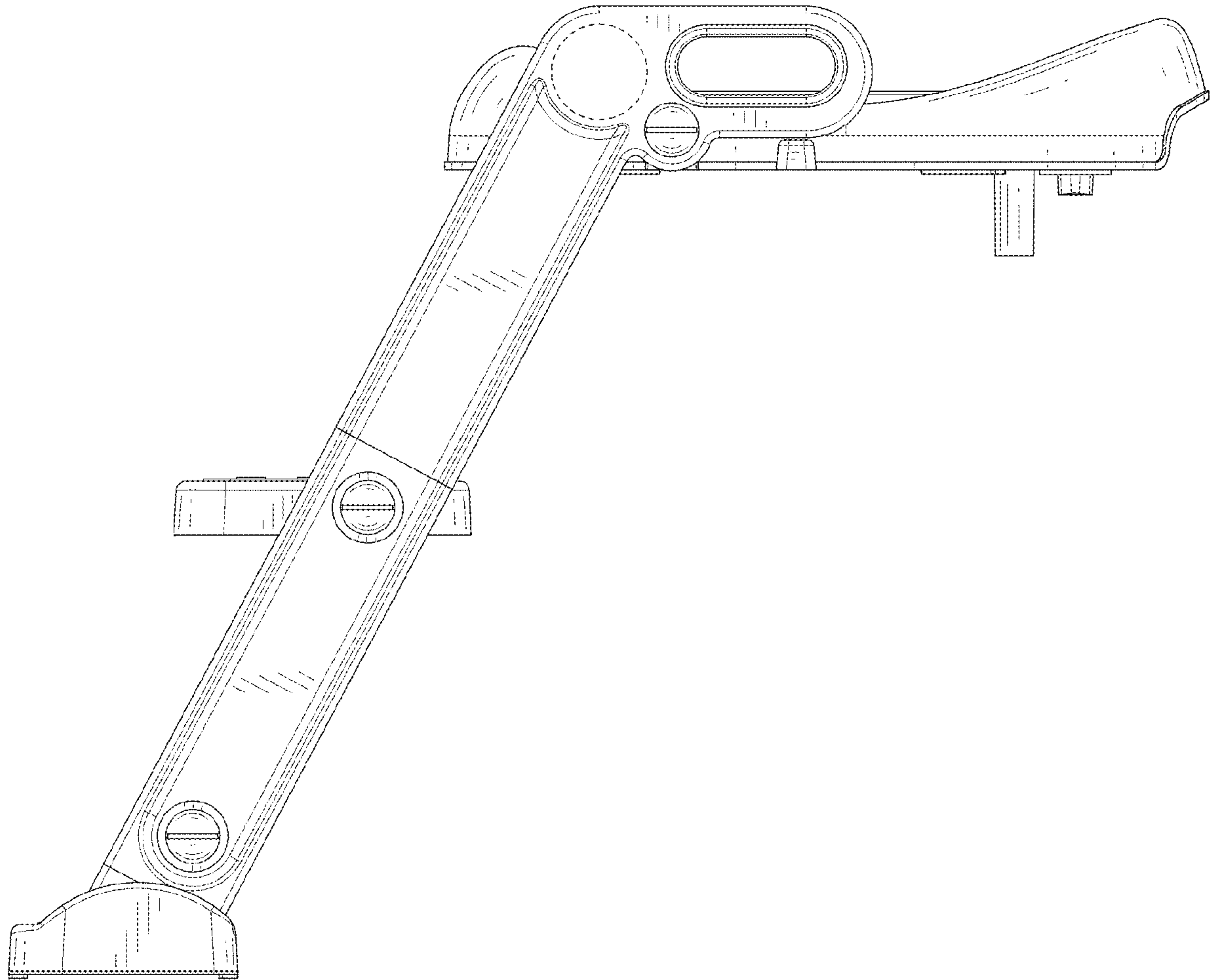


FIG. 6

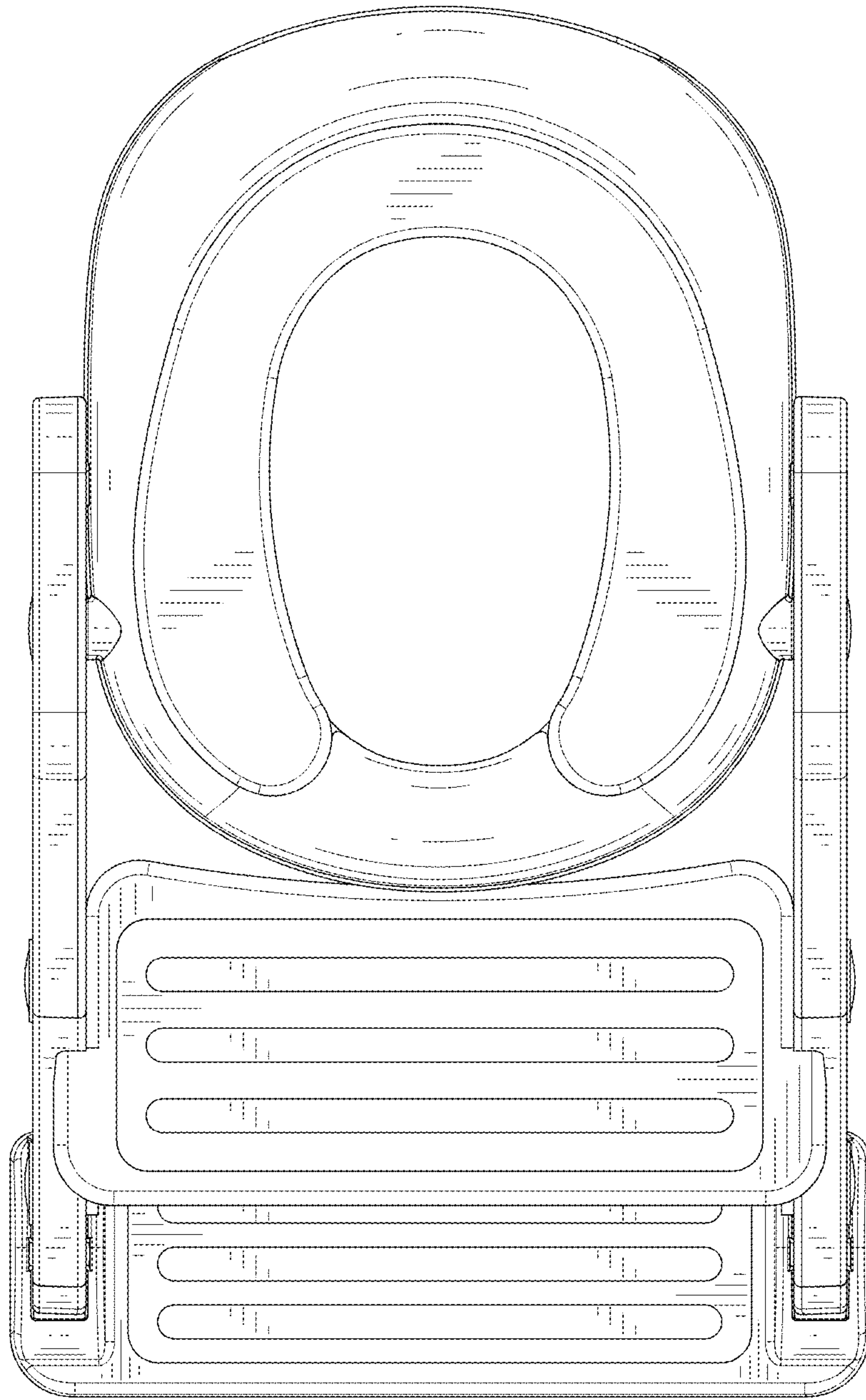


FIG. 7

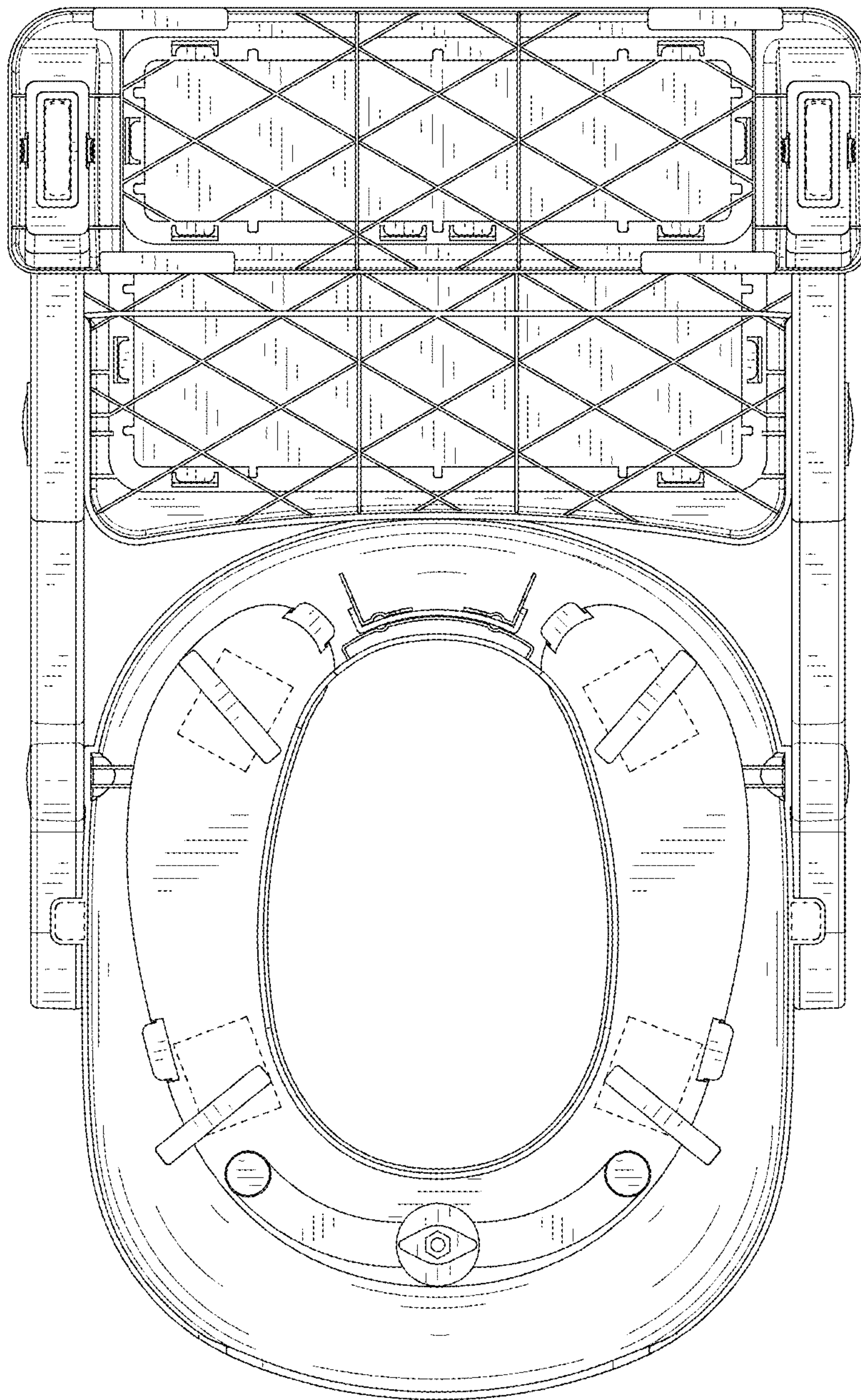


FIG. 8