



US00D980391S

(12) **United States Design Patent**
Orr

(10) **Patent No.:** **US D980,391 S**
(45) **Date of Patent:** **** Mar. 7, 2023**

(54) **VALVE TAMPER SHIELD**

(71) Applicant: **Zurn Industries, LLC**, Milwaukee, WI (US)

(72) Inventor: **Bill Orr**, Paso Robles, CA (US)

(73) Assignee: **Zurn Industries, LLC**, Milwaukee, WI (US)

(**) Term: **15 Years**

(21) Appl. No.: **29/710,979**

(22) Filed: **Oct. 28, 2019**

(51) **LOC (14) Cl.** **23-01**

(52) **U.S. Cl.**
USPC **D23/259**; D23/233; D23/303; D23/262

(58) **Field of Classification Search**
USPC D23/363, 341, 322, 303, 249, 259, 262,
D23/233, 237

(Continued)

(56) **References Cited**

U.S. PATENT DOCUMENTS

2,630,294 A * 3/1953 Ericson F16K 5/225
137/512
3,405,957 A * 10/1968 Charkroff F16L 27/1274
285/321

(Continued)

OTHER PUBLICATIONS

Zurn Specification Sheet Model P4000A Thermal Expansion Relief Valve; Rev. D Publish date Nov. 2016; Visited Online Oct. 3, 2022; https://www.zurn.com/media-library/web_documents/pdfs/specsheets/p4000a-pdf (Year: 2016).*

(Continued)

Primary Examiner — Amy C Wierenga

(74) *Attorney, Agent, or Firm* — Michael Best & Friedrich LLP

(57) **CLAIM**

The ornamental design for a valve tamper shield, as shown and described.

DESCRIPTION

FIG. 1 is a front perspective view of a valve tamper shield according to a first embodiment of the present invention; FIG. 2 is a rear perspective view of the valve tamper shield of FIG. 1;

FIG. 3 is a top plan view of the valve tamper shield of FIG. 1;

FIG. 4 is a bottom plan view of the valve tamper shield of FIG. 1;

FIG. 5 is a right side elevation view of the valve tamper shield of FIG. 1;

FIG. 6 is a left side elevation view of the valve tamper shield of FIG. 1;

FIG. 7 is a front elevation view of the valve tamper shield of FIG. 1;

FIG. 8 is a rear elevation view of the valve tamper shield of FIG. 1;

FIG. 9 is a front perspective view of a valve tamper shield according to a second embodiment of the present invention;

FIG. 10 is a rear perspective view of the valve tamper shield of FIG. 9;

FIG. 11 is a top plan view of the valve tamper shield of FIG. 9;

FIG. 12 is a bottom plan view of the valve tamper shield of FIG. 9;

FIG. 13 is a right side elevation view of the valve tamper shield of FIG. 9;

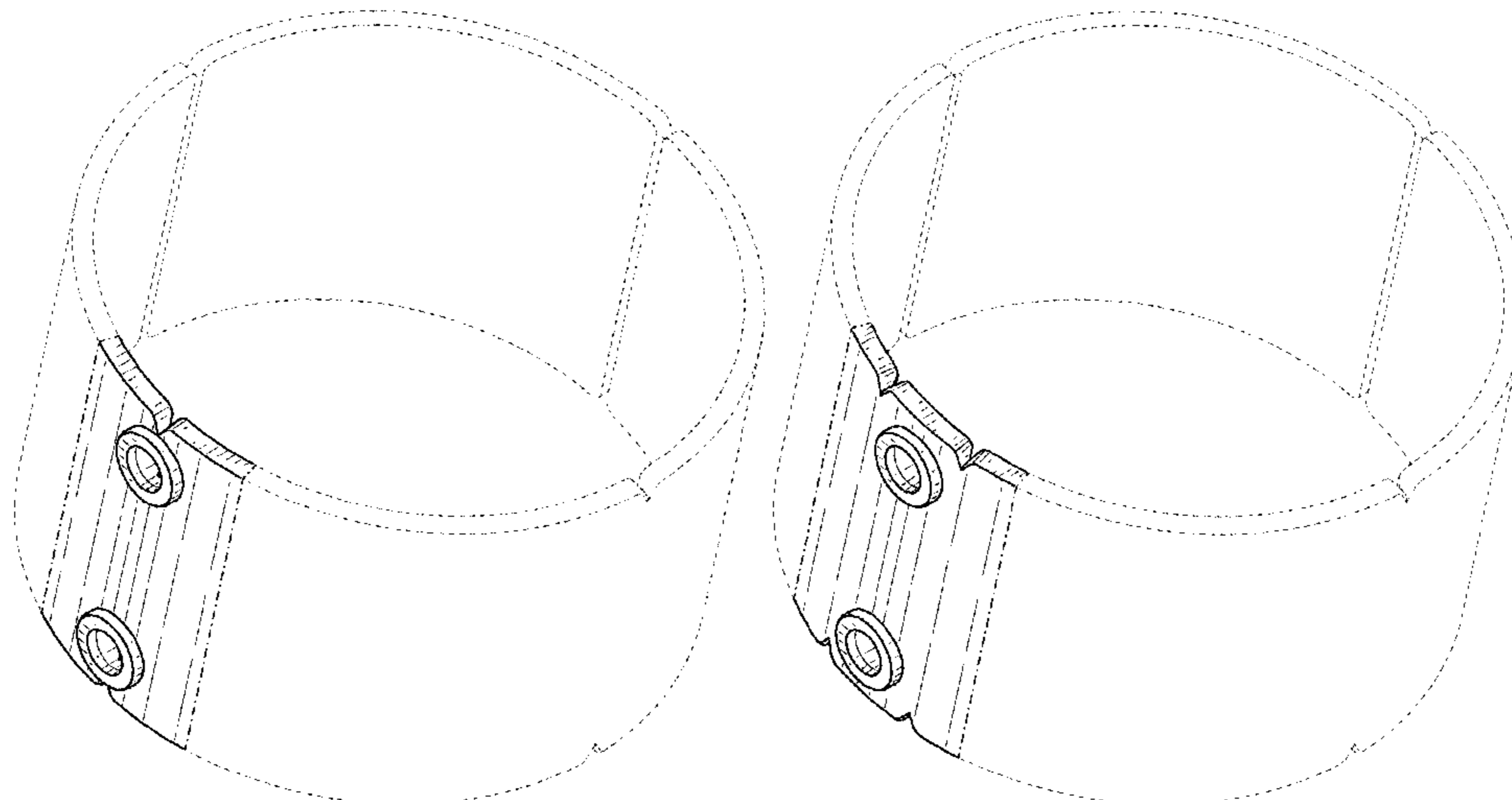
FIG. 14 is a left side elevation view of the valve tamper shield of FIG. 9;

FIG. 15 is a front elevation view of the valve tamper shield of FIG. 9; and,

FIG. 16 is a rear elevation view of the valve tamper shield of FIG. 9.

The evenly spaced broken lines depict portions of the valve tamper shield that form no part of the claim. The dash-dot-dash broken lines depict boundaries of the claim and form no part thereof.

1 Claim, 10 Drawing Sheets



(58) **Field of Classification Search**

CPC F16L 23/032
 See application file for complete search history.

(56) **References Cited**

U.S. PATENT DOCUMENTS

4,460,012 A * 7/1984 Koumi F16K 27/062
 137/315.19
 D326,503 S * 5/1992 Ipsen D23/233
 5,722,695 A * 3/1998 Matsumoto F16L 21/005
 285/23
 D423,643 S * 4/2000 McLennan D23/233
 6,220,282 B1 * 4/2001 Powell E03C 1/108
 137/454.2
 7,434,593 B2 * 10/2008 Noll F16K 15/063
 137/454.2
 8,397,317 B2 * 3/2013 Funari E03D 5/10
 251/44
 D747,444 S * 1/2016 Gledhill D23/262
 D787,646 S * 5/2017 Davis D23/259

D787,647 S * 5/2017 Eaton F16L 19/02
 D23/259
 D874,619 S * 2/2020 Simon D23/262
 D892,275 S * 8/2020 Forrestal D23/259
 2013/0049354 A1 * 2/2013 Chase F16L 21/04
 285/145.1
 2015/0369412 A1 * 12/2015 Berlusconi F16L 37/0847
 285/321
 2016/0195205 A1 * 7/2016 Webb F16L 21/08
 285/419
 2019/0234544 A1 * 8/2019 Krämer F16L 21/065

OTHER PUBLICATIONS

Zurn Pressure-Tru ZW5000/5004 Series PRV Launch, YouTube Video Frames 1:20/1:27; Published Oct. 25, 2019; Visited Online Oct. 3, 2022; <https://www.youtube.com/watch?v=DomXQINr6ks> (Year: 2019).*
 Giacomini Water E-Motion, Fire Protection Pressure Reducing Valve, Product Literature Brochure, Nov. 2019, (6 Pages).
 Cla-Val, Field Adjustable Pressure Reducing Valve, Product Literature Brochure, Apr. 2019 (2 Pages).

* cited by examiner

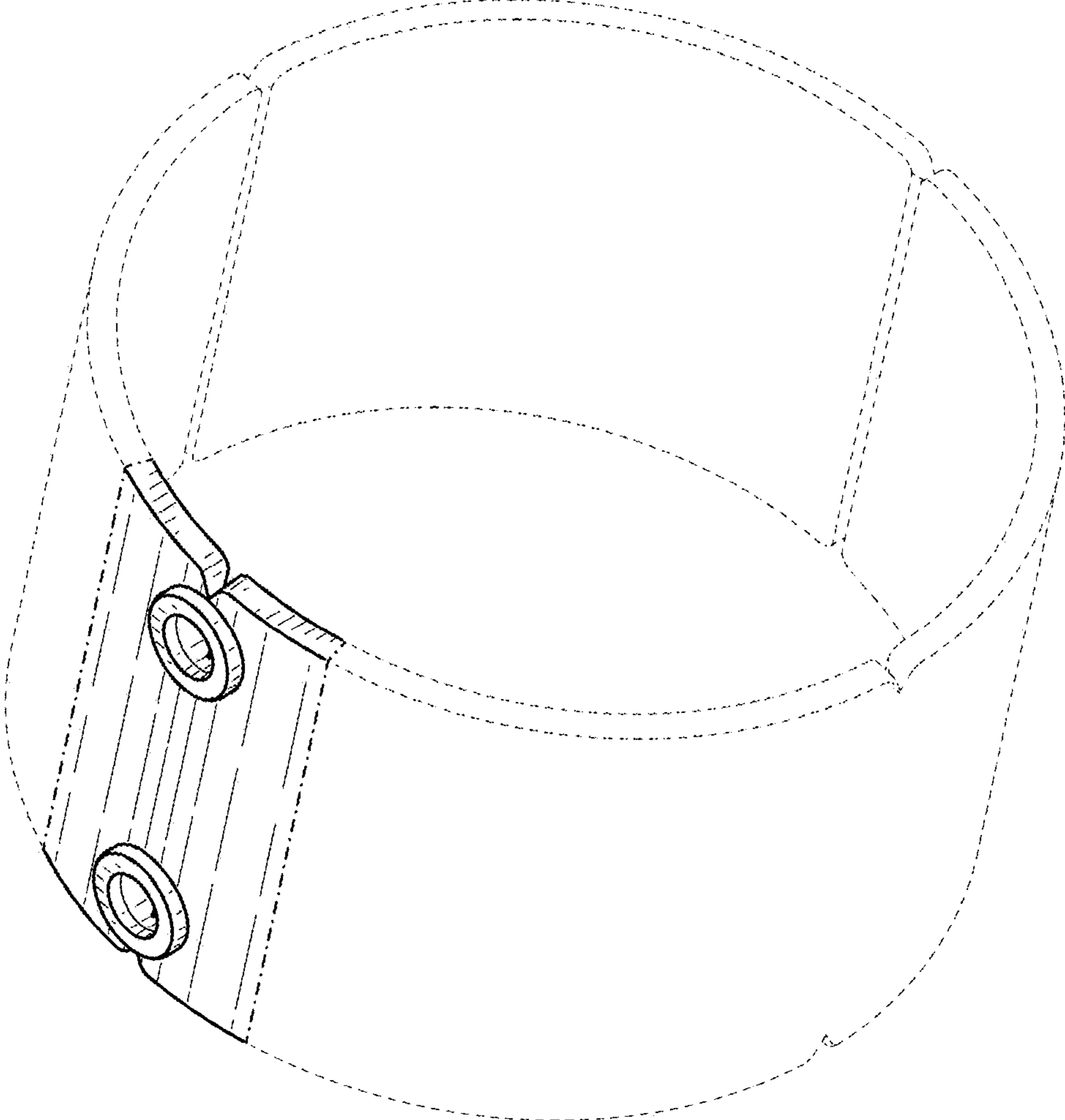


FIG. 1

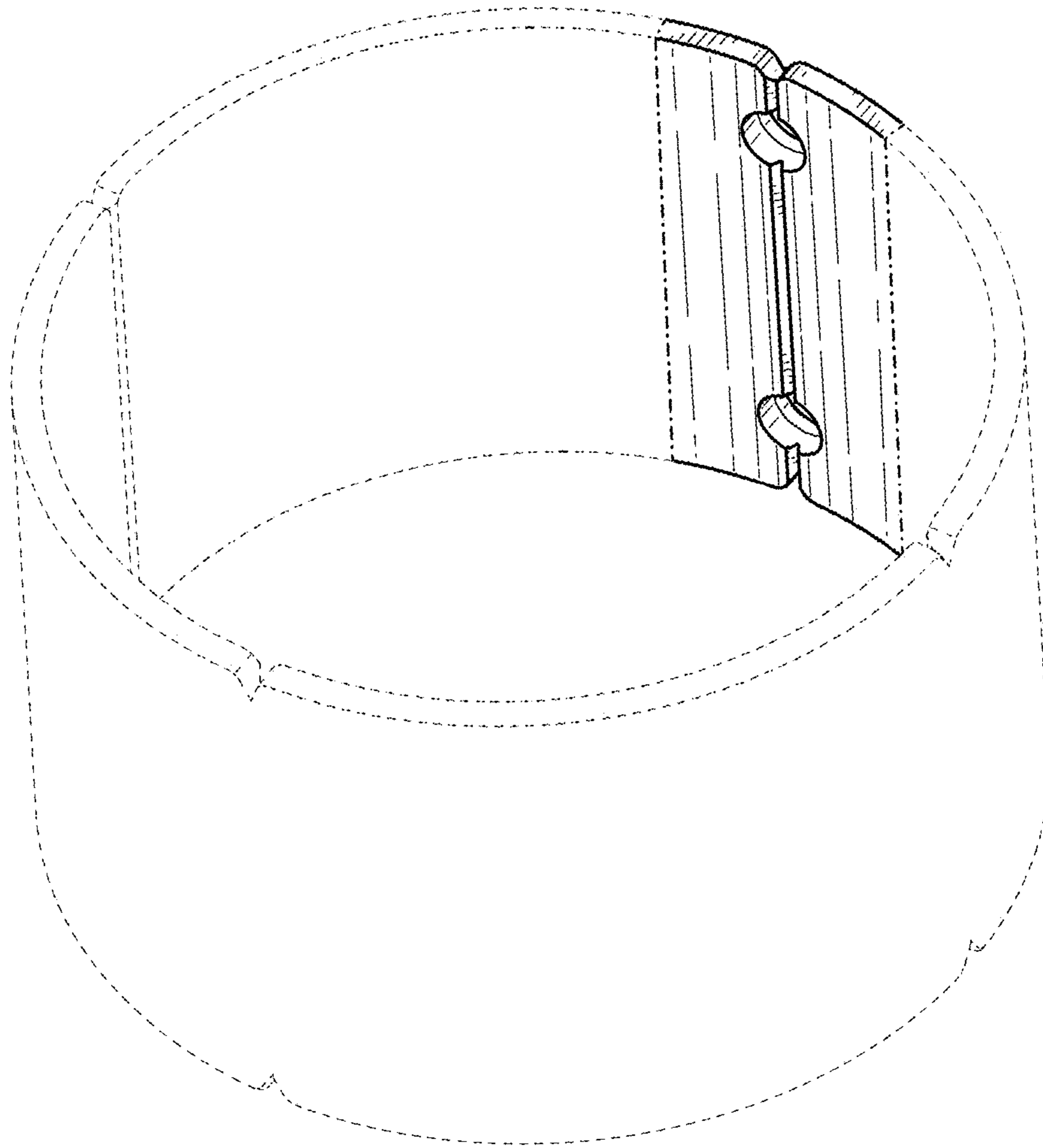


FIG. 2

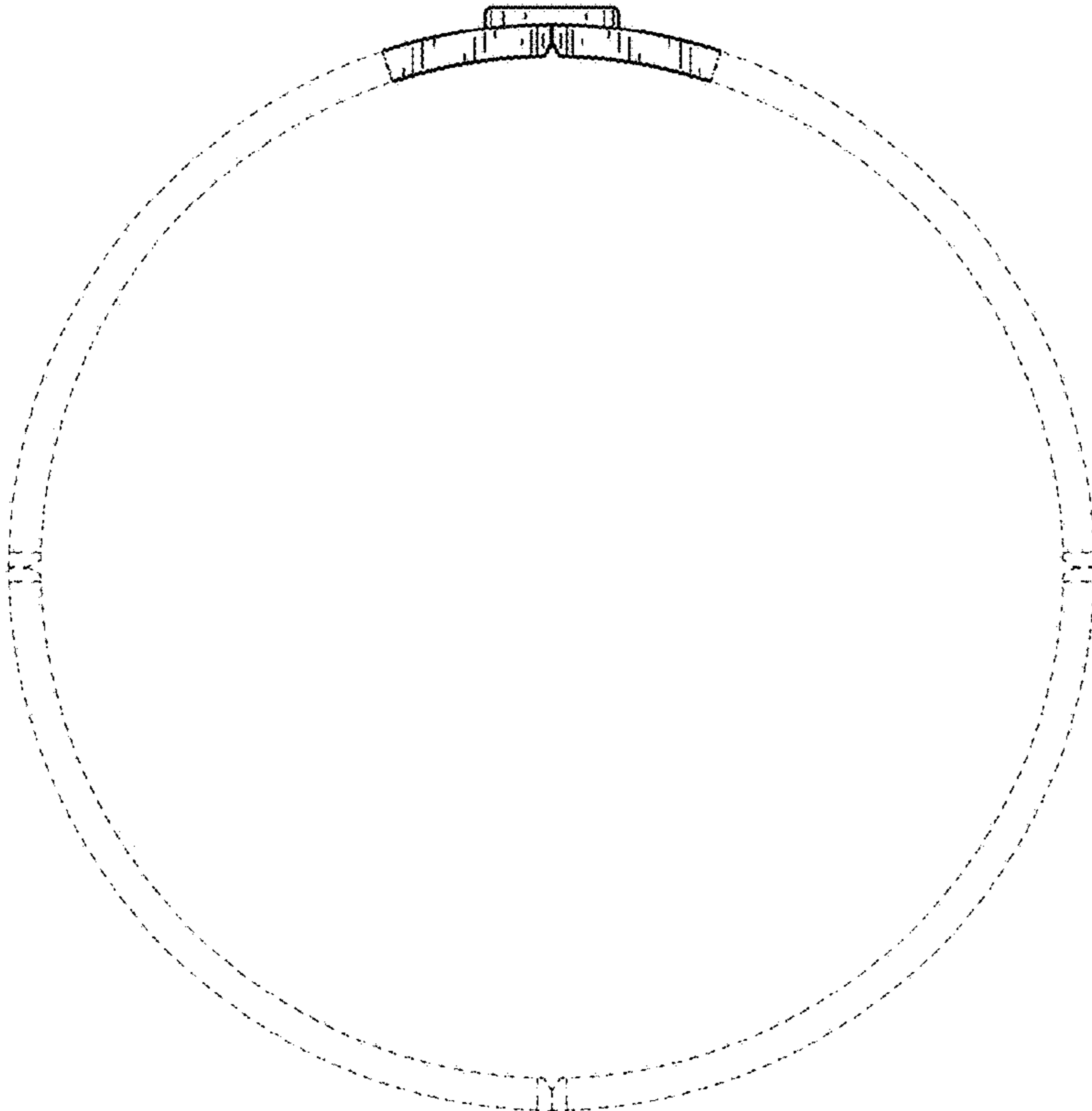


FIG. 3

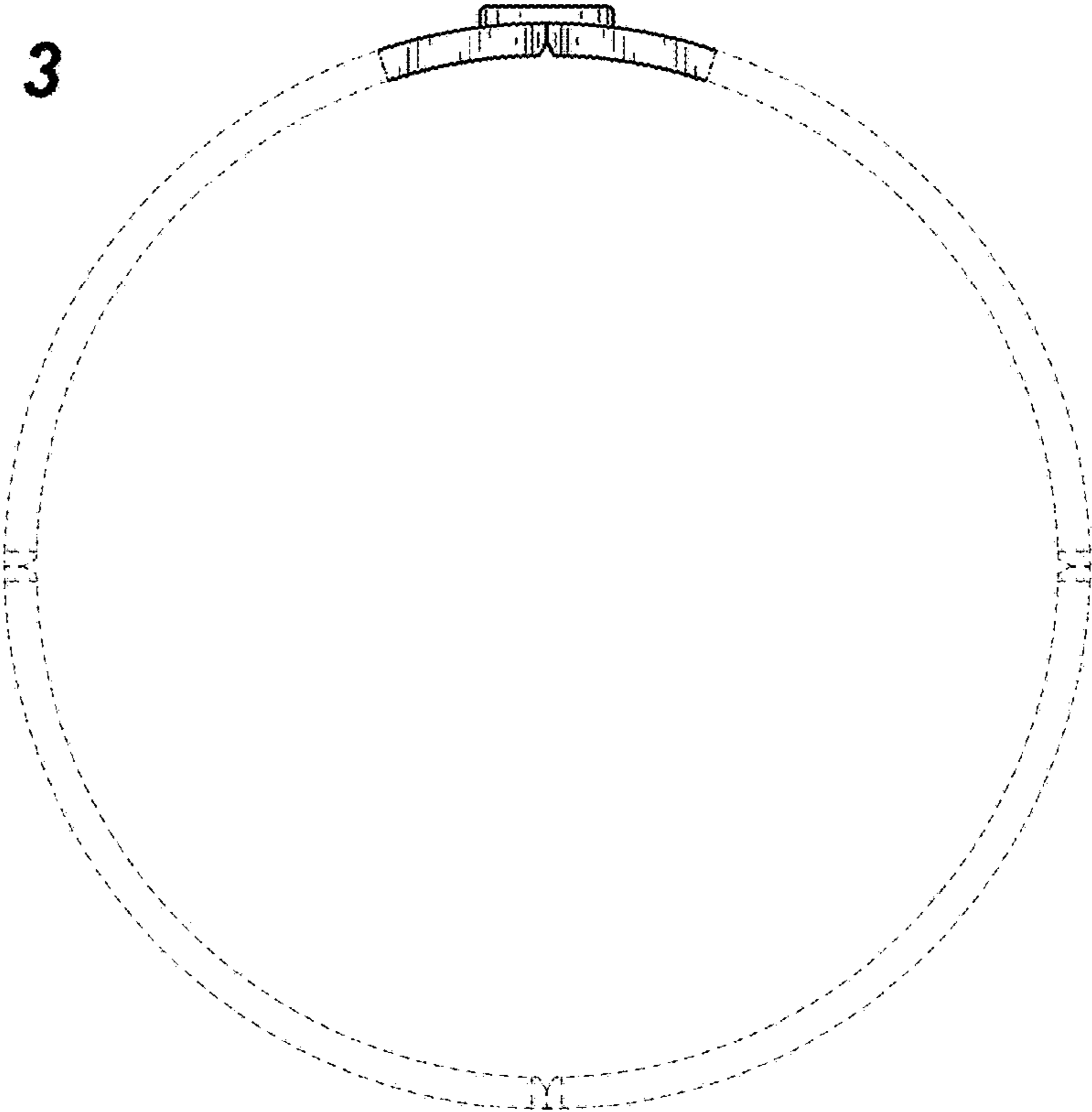


FIG. 4

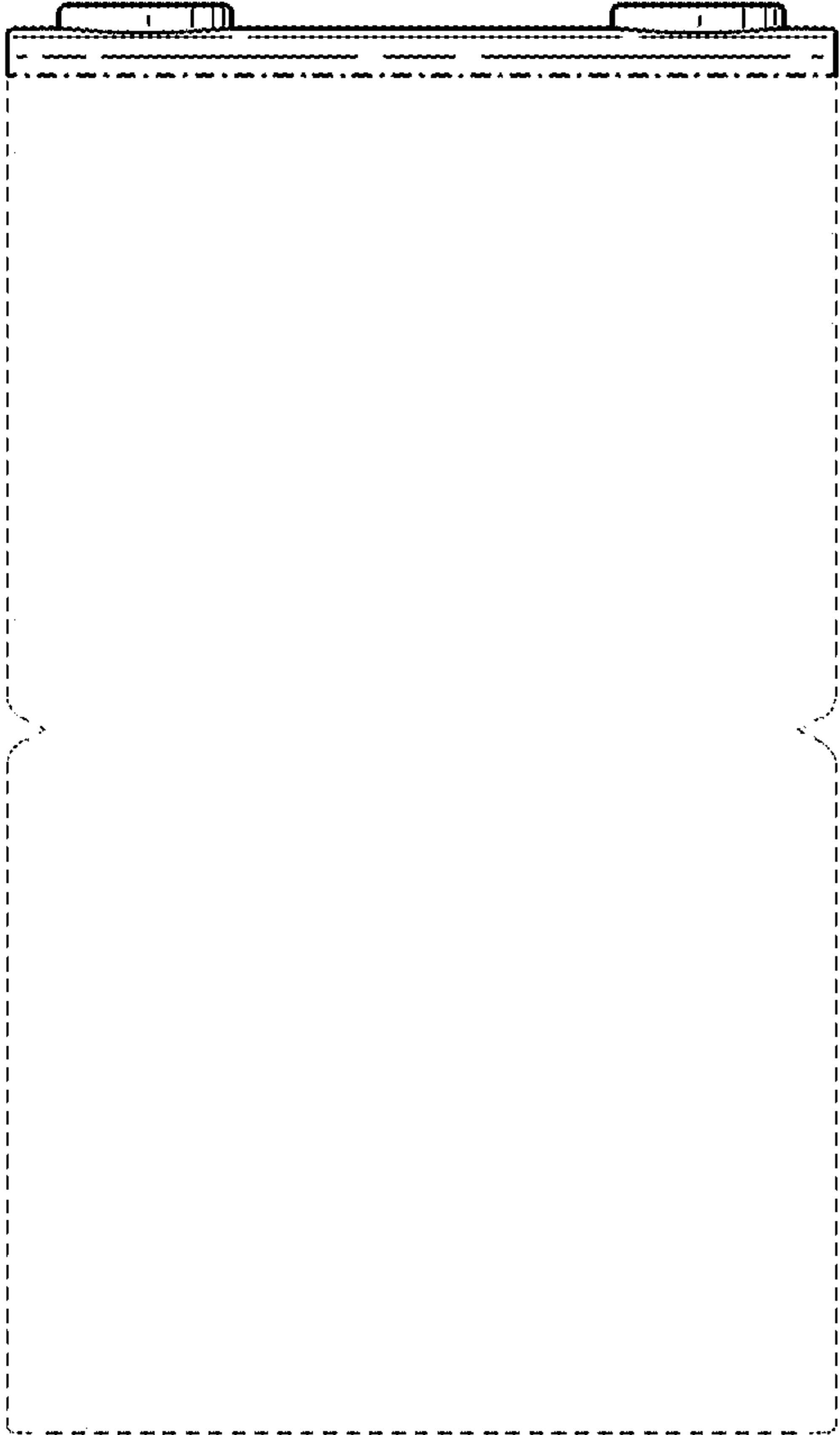


FIG. 5

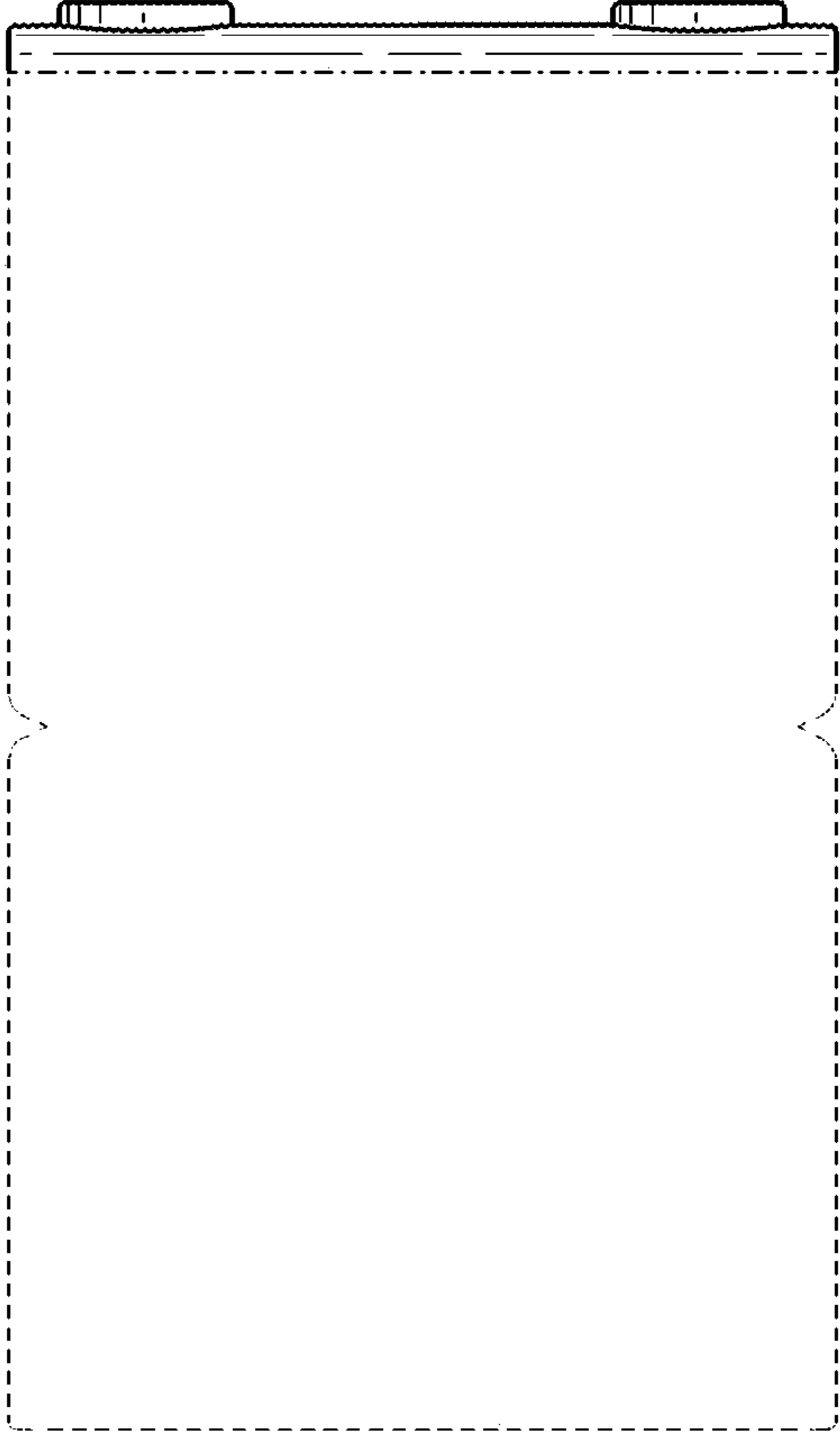


FIG. 6

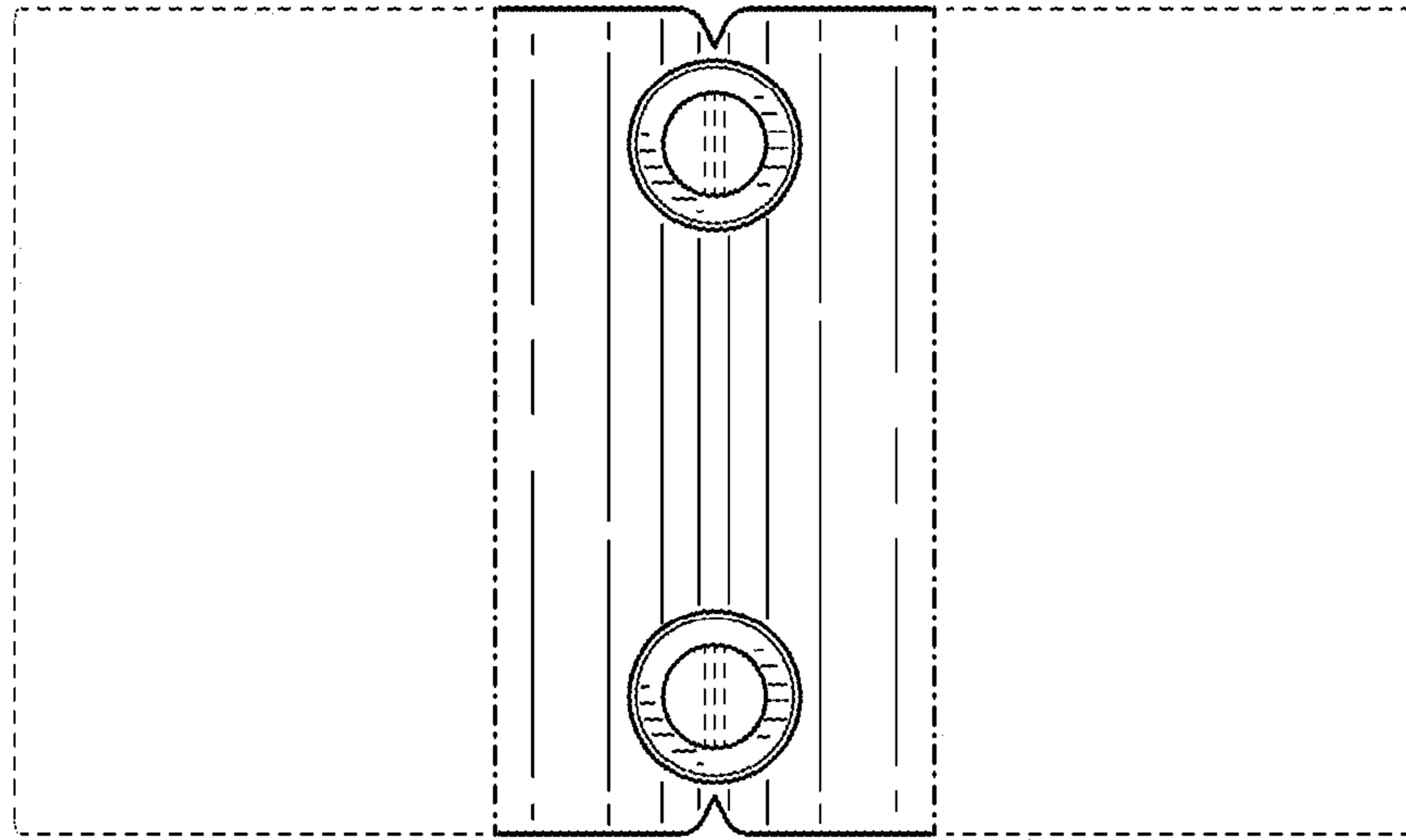


FIG. 7

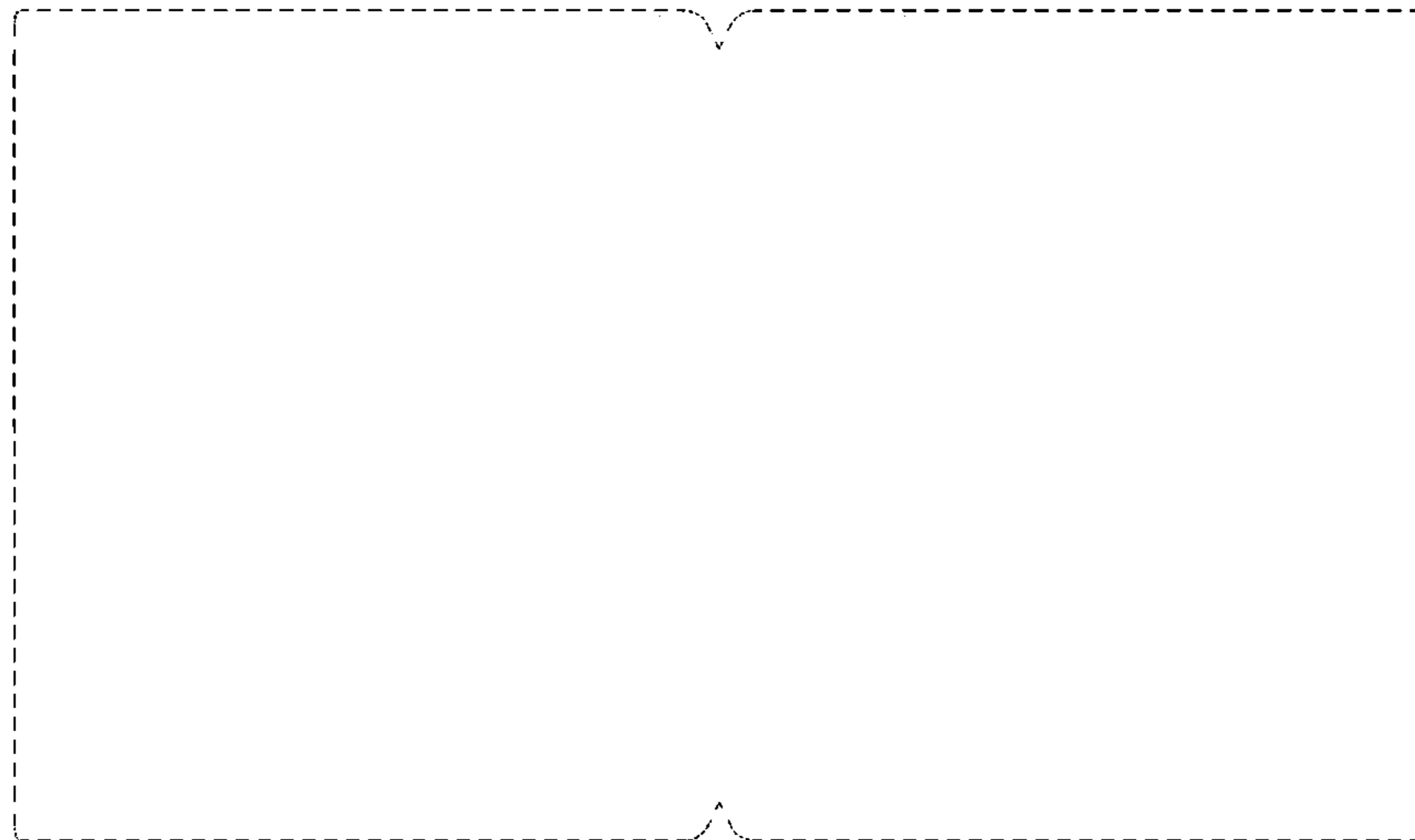


FIG. 8

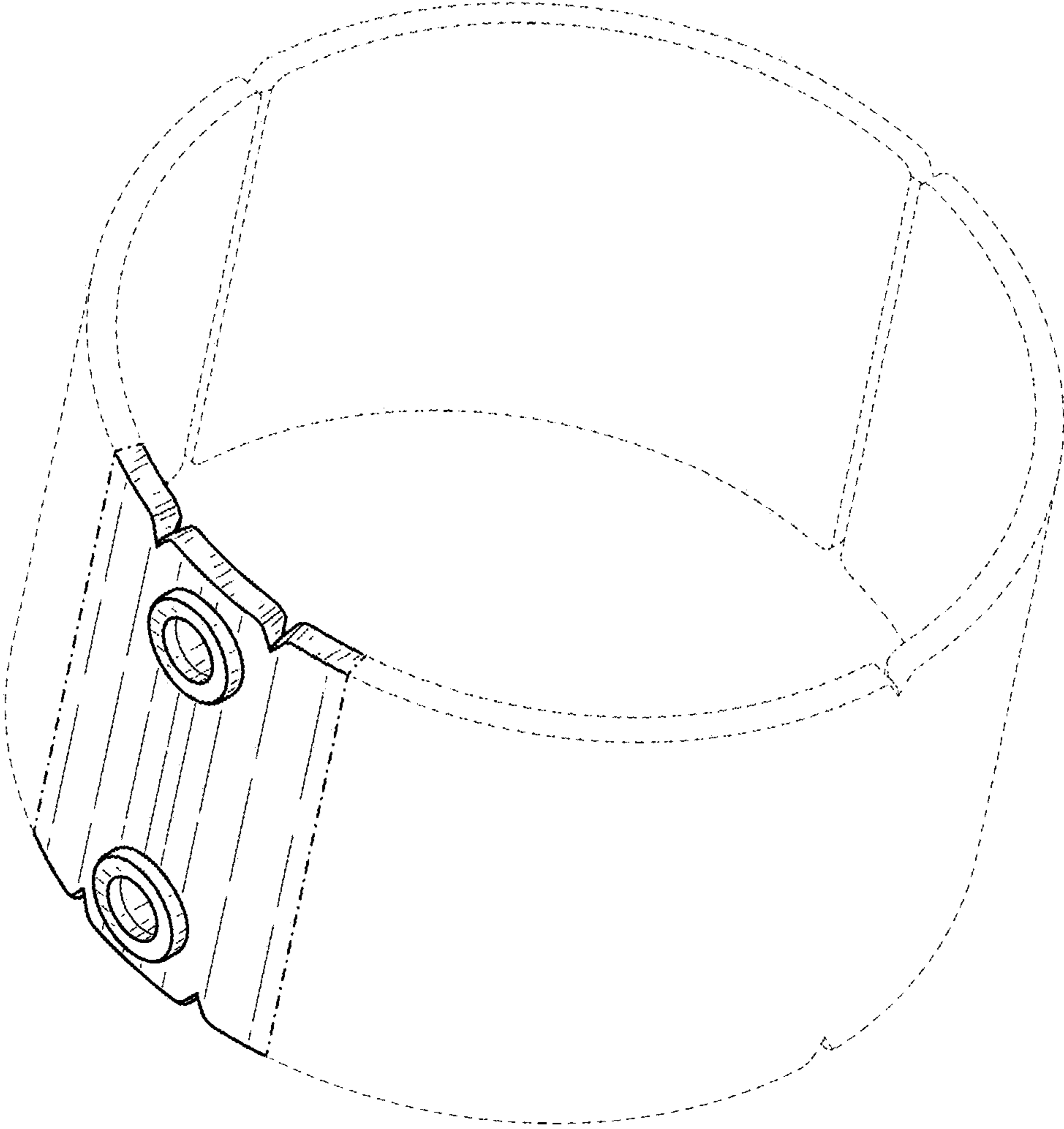


FIG. 9

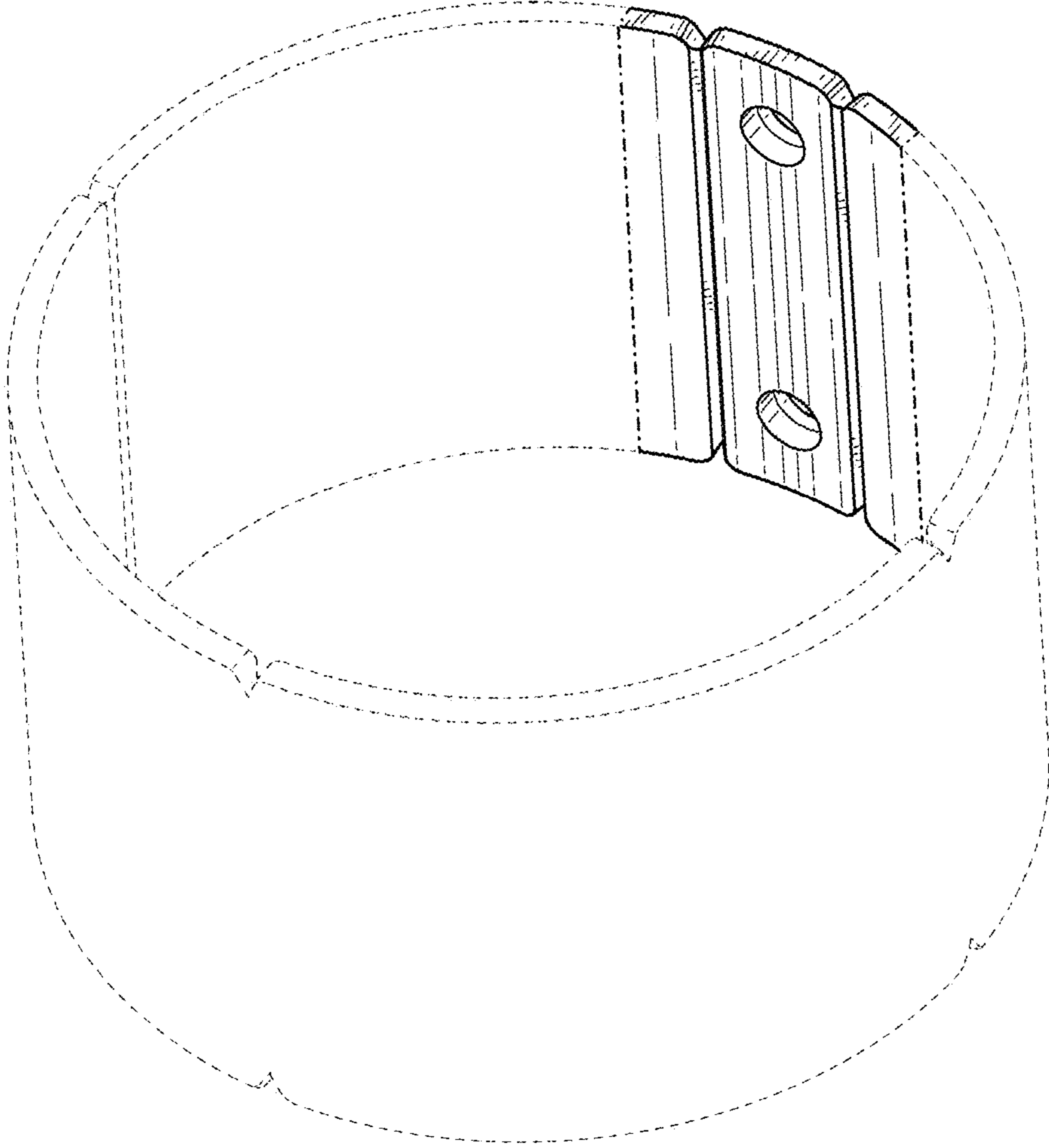


FIG. 10

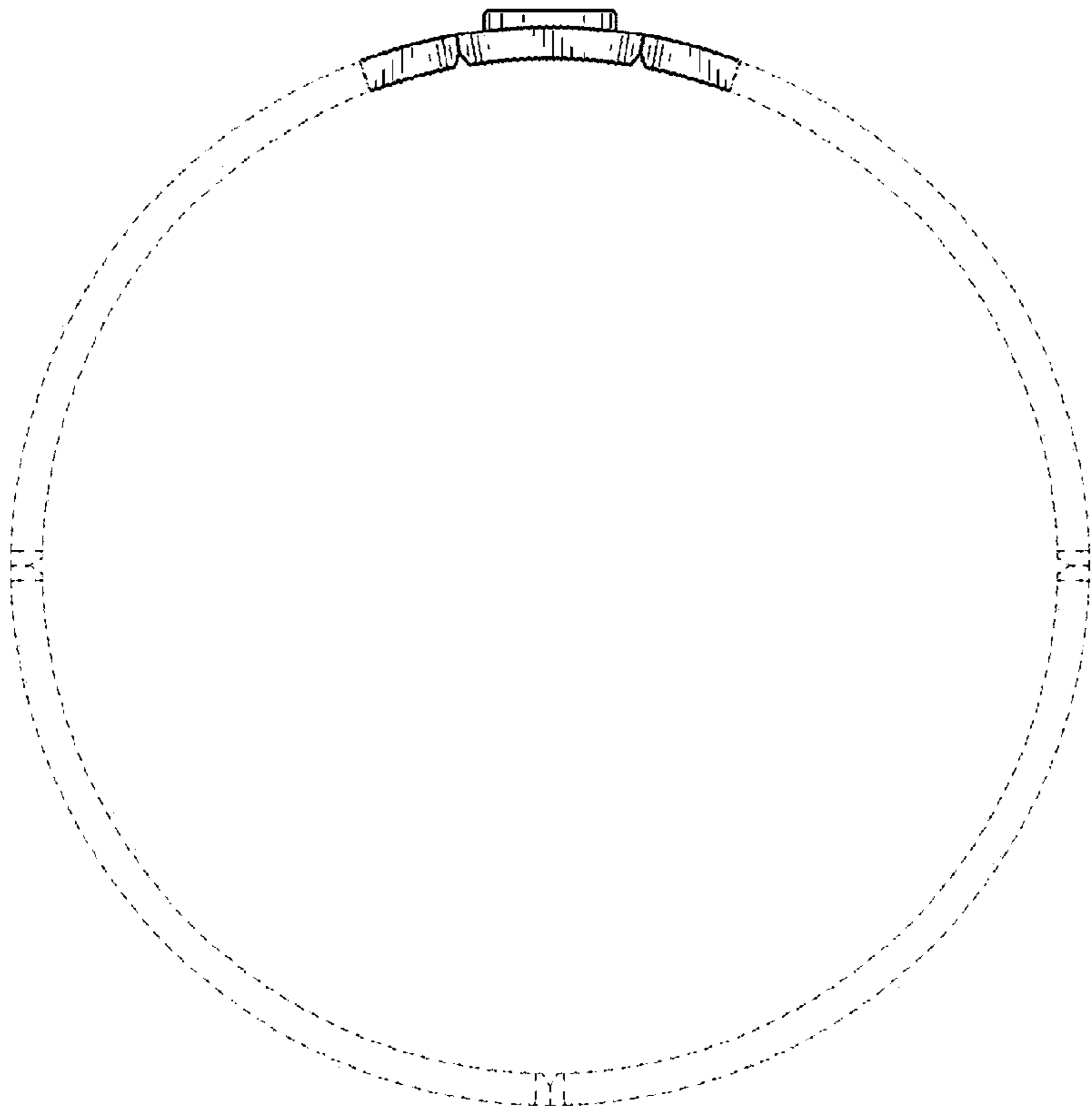


FIG. 11

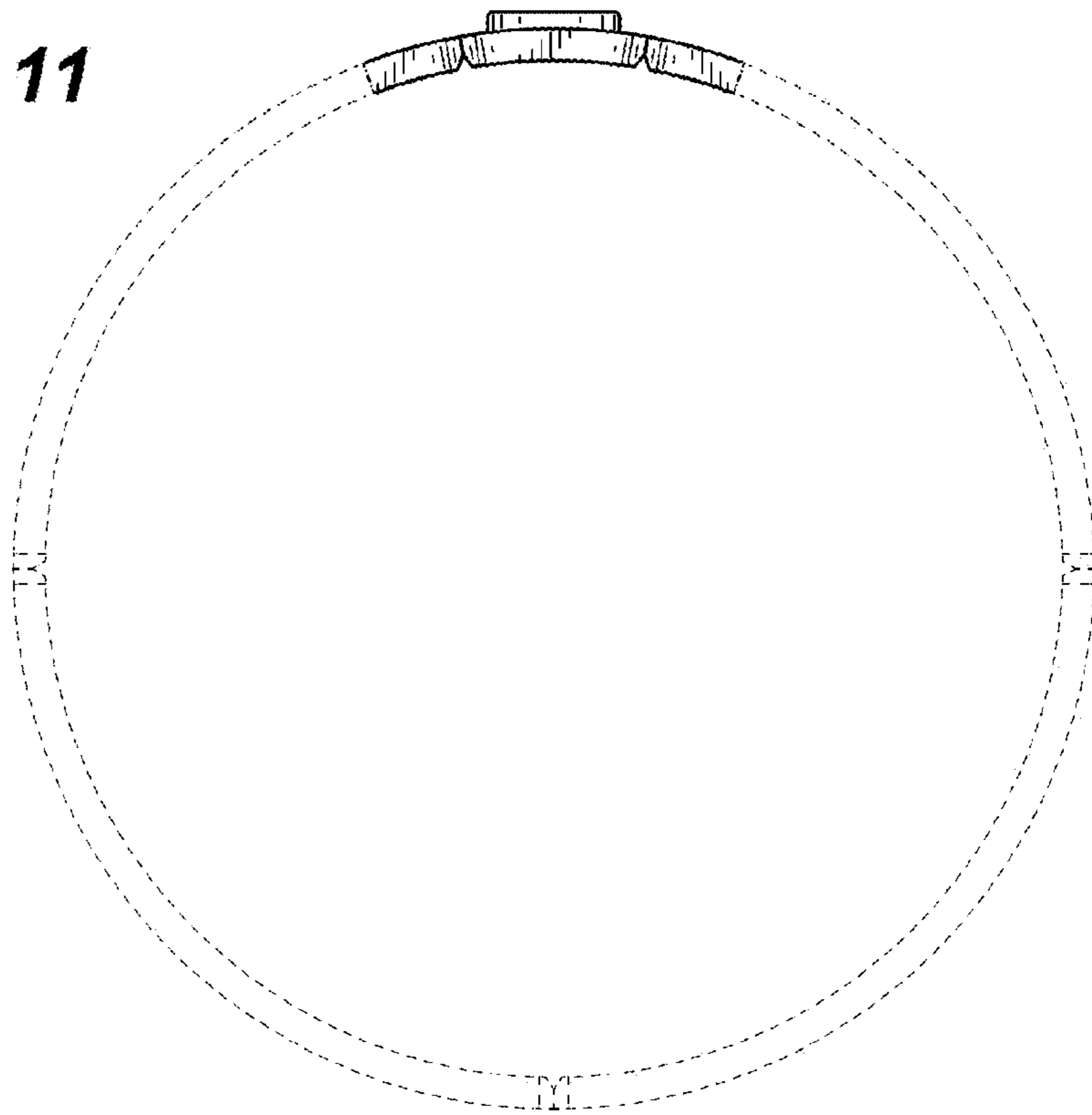


FIG. 12

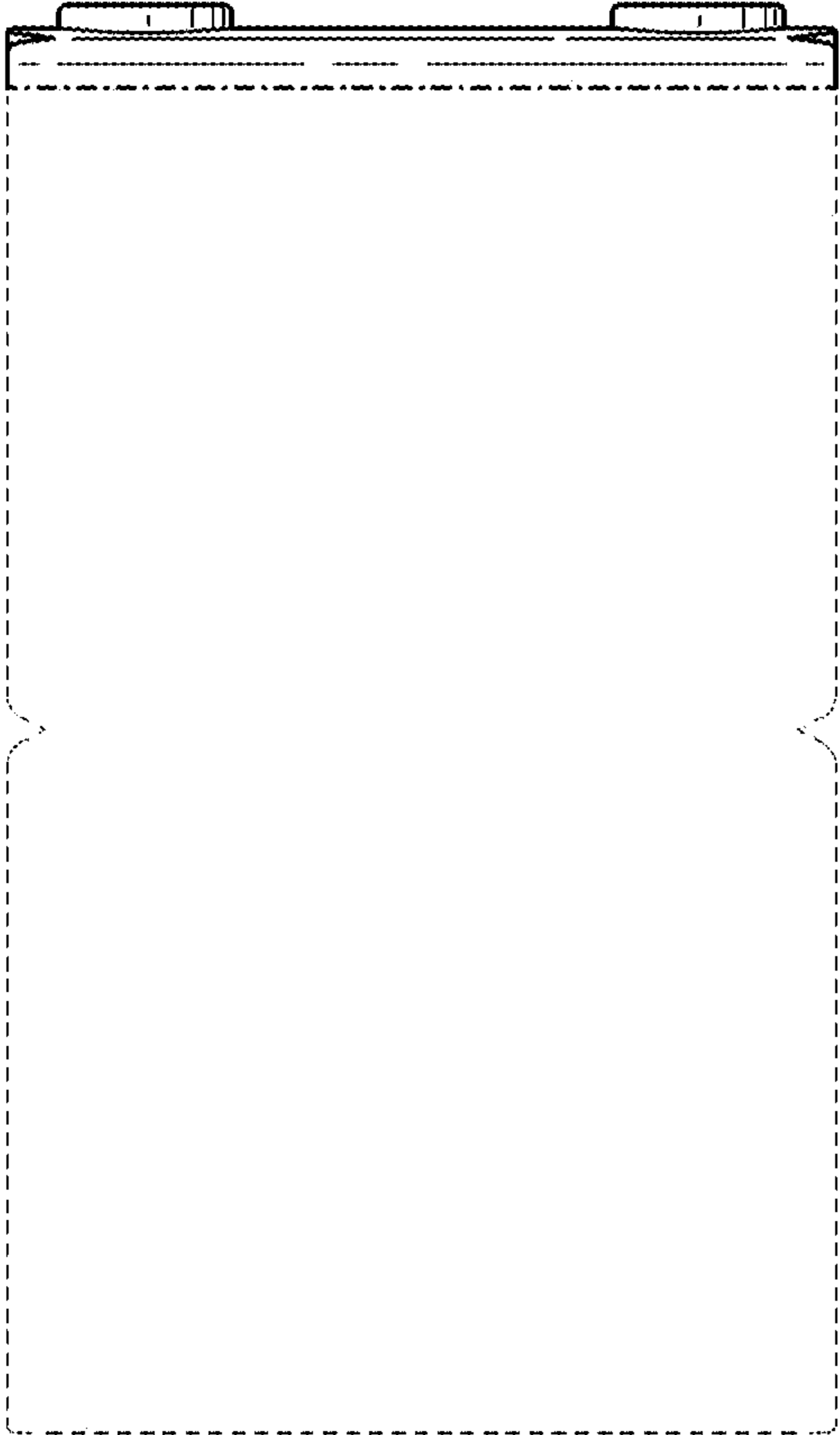


FIG. 13

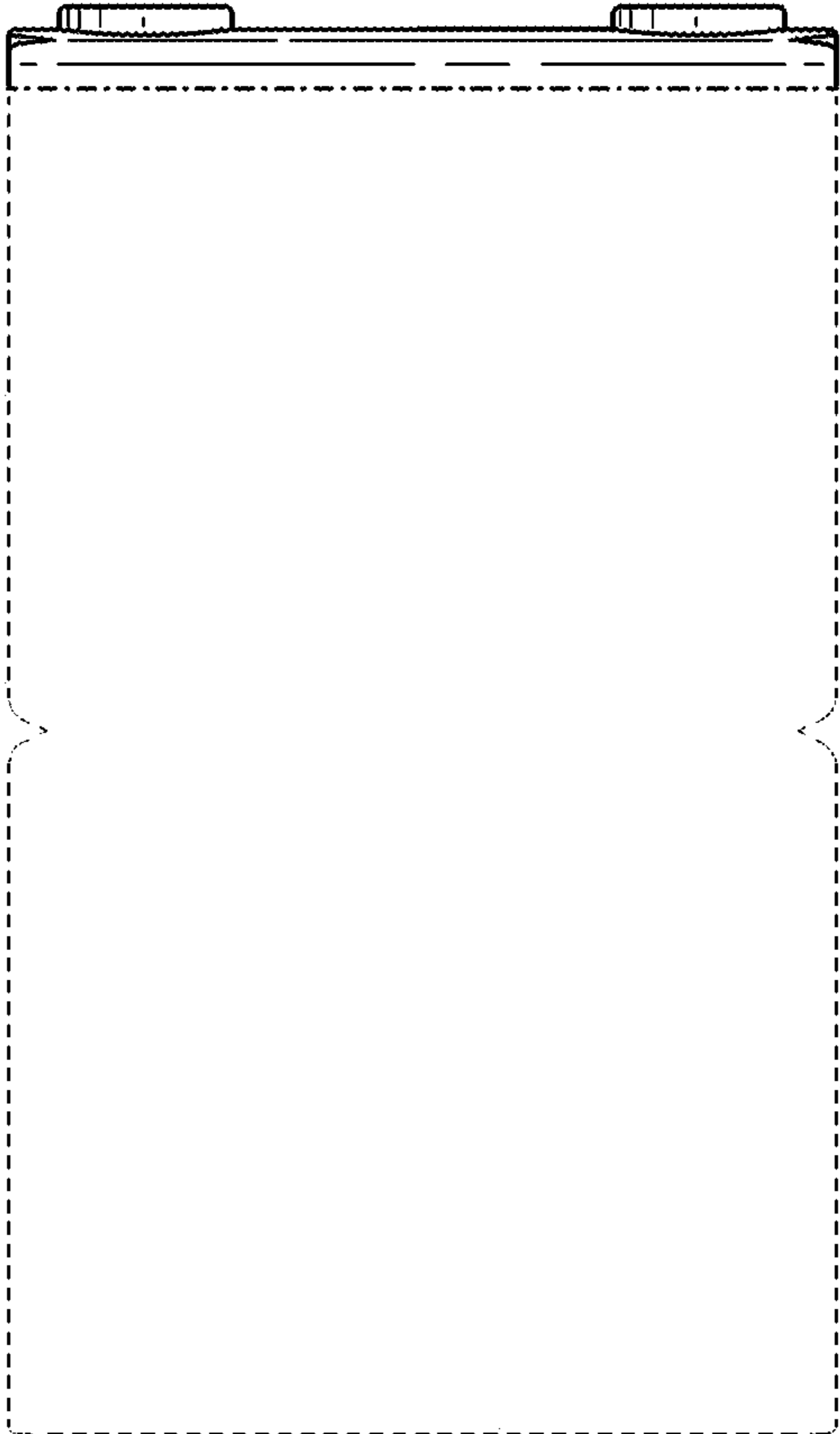


FIG. 14

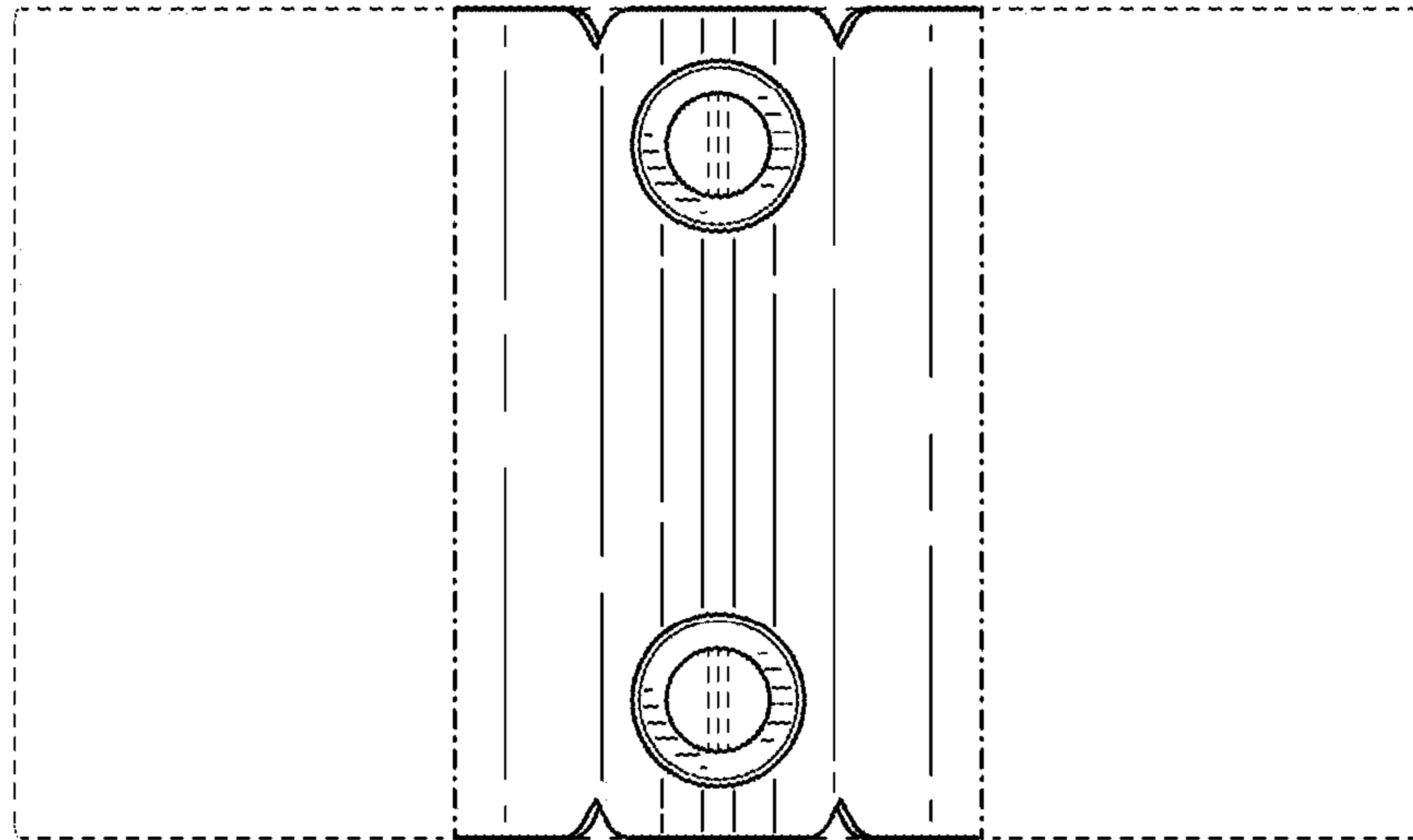


FIG. 15

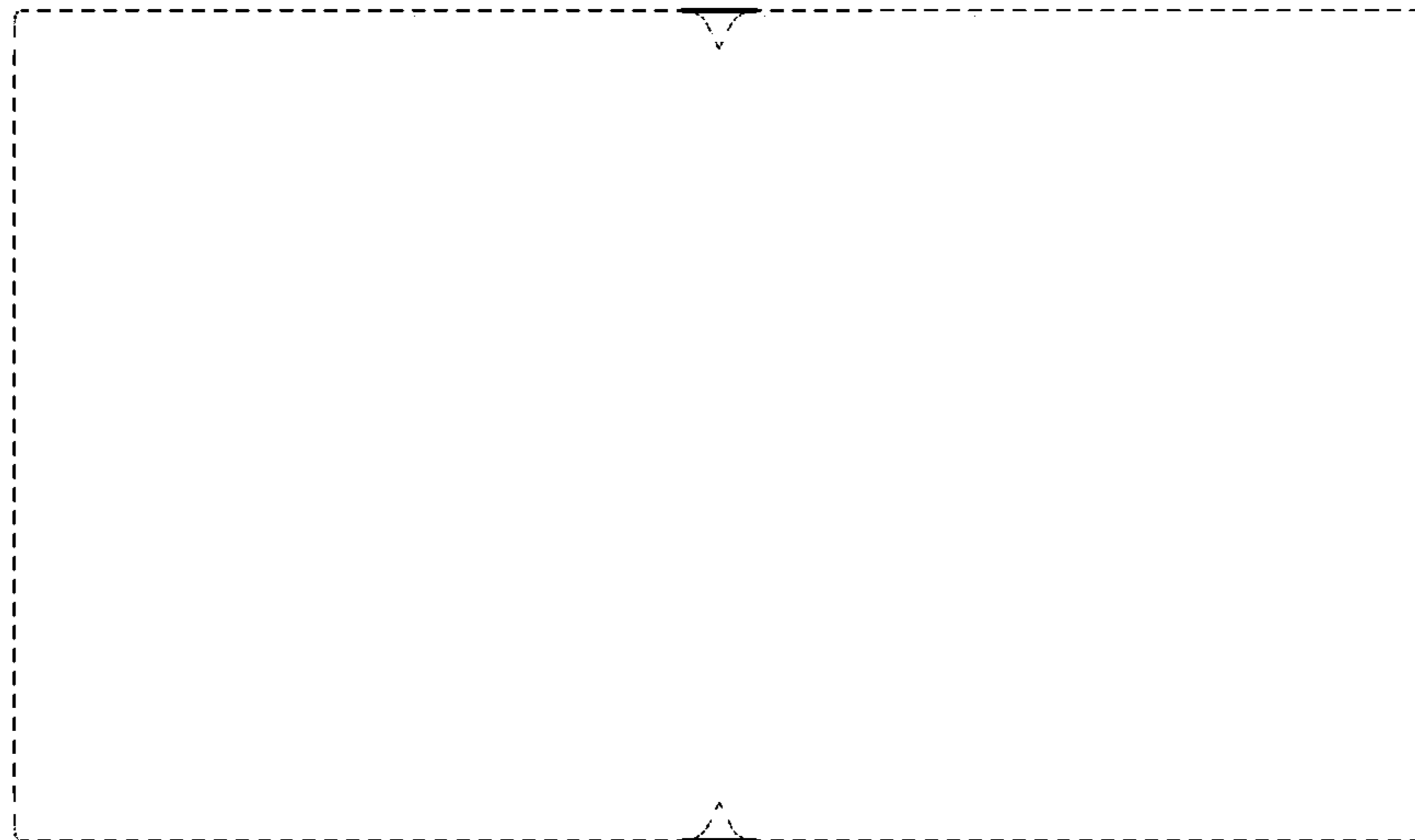


FIG. 16