



US00D980390S

(12) **United States Design Patent**  
**Wang et al.**

(10) **Patent No.:** **US D980,390 S**  
(45) **Date of Patent:** **\*\* Mar. 7, 2023**

- (54) **TUB SPOUT**
- (71) Applicant: **Spectrum Brands, Inc.**, Middleton, WI (US)
- (72) Inventors: **Bingo Wang**, Xiamen (CN); **Andy Kim**, Lake Forest, CA (US)
- (73) Assignee: **Spectrum Brands, Inc.**, Middleton, WI (US)

D652,488 S 1/2012 Slothower et al.  
 D676,528 S 2/2013 Obara et al.  
 D676,933 S 2/2013 Obara et al.  
 (Continued)

FOREIGN PATENT DOCUMENTS

CN 301493043 3/2011  
 CN 302112319 10/2012  
 (Continued)

(\*\*) Term: **15 Years**  
 (21) Appl. No.: **29/736,931**

OTHER PUBLICATIONS

“Rotunda Tub Spout”; Signature Hardware; retrieved Mar. 23, 2020; disclosure date unknown but prior to the filing date of the present application; URL: <<https://www.signaturehardware.com/rotunda-tub-spout.html>>.

- (22) Filed: **Jun. 4, 2020**
- (51) **LOC (14) Cl.** ..... **23-01**
- (52) **U.S. Cl.**  
USPC ..... **D23/257**
- (58) **Field of Classification Search**  
USPC ..... D23/238–243, 255, 257  
CPC ..... E03C 1/042  
See application file for complete search history.

(Continued)

*Primary Examiner* — Robert A Delehanty  
 (74) *Attorney, Agent, or Firm* — Merchant & Gould P.C.

(56) **References Cited**

(57) **CLAIM**

The ornamental design for a tub spout, as shown and described.

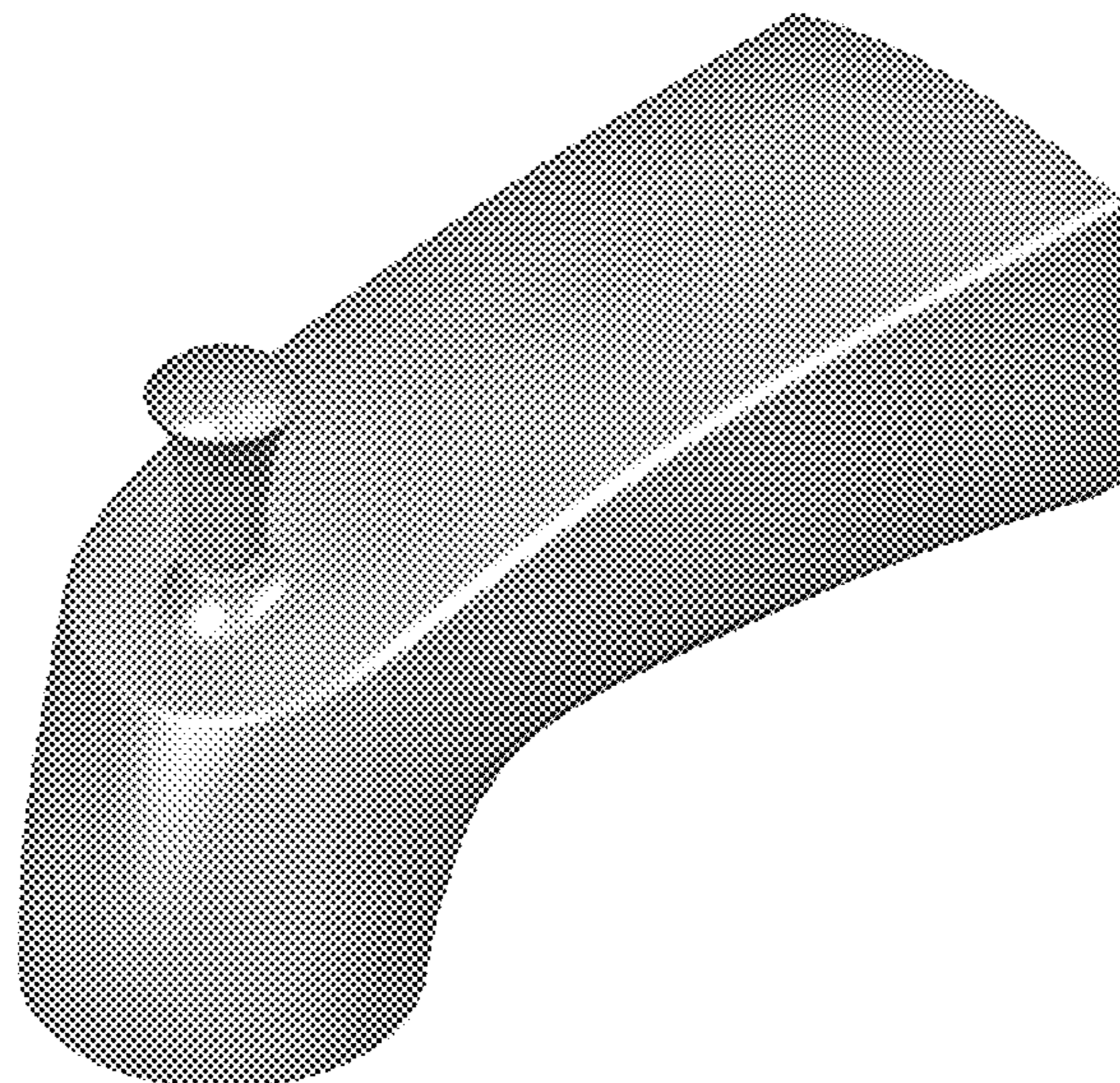
U.S. PATENT DOCUMENTS

**DESCRIPTION**

- 3,079,093 A \* 2/1963 Bellows ..... E03C 1/0465  
222/630
- D353,877 S \* 12/1994 Rogers ..... D23/257
- D400,651 S 11/1998 Hundley et al.
- D421,100 S \* 2/2000 Green ..... D23/255
- 6,449,784 B1 \* 9/2002 Pelletz ..... E03C 1/0404  
4/675
- 6,880,565 B2 \* 4/2005 Ouyoung ..... E03C 1/0408  
137/98
- D508,978 S 8/2005 Otero
- D551,326 S 9/2007 Zhu
- 7,373,674 B1 \* 5/2008 Condon ..... E03C 1/042  
4/678
- D573,695 S 7/2008 Rexach
- D581,490 S 11/2008 Painter
- D624,160 S 9/2010 Wang
- D631,137 S 1/2011 Ke et al.

FIG. 1 is a front perspective view of a tub spout showing our new design;  
 FIG. 2 is a front view thereof;  
 FIG. 3 is a rear view thereof;  
 FIG. 4 is a right side view thereof;  
 FIG. 5 is a left side view thereof;  
 FIG. 6 is a top view thereof; and,  
 FIG. 7 is a bottom view thereof.  
 The broken lines immediately adjacent to the photographic area define the bounds of the claimed design and form no part thereof. The unshaded areas within the broken lines form no part of the claimed design.

**1 Claim, 7 Drawing Sheets**



(56)

References Cited

OTHER PUBLICATIONS

U.S. PATENT DOCUMENTS

D685,882 S	7/2013	Garland	
D700,957 S	3/2014	Mendoza et al.	
D706,905 S	6/2014	Flowers et al.	
D710,976 S *	8/2014	Huang .....	D23/255
D714,914 S	10/2014	Georgeson et al.	
8,857,471 B2 *	10/2014	Huang .....	F16K 3/0218 4/678
D729,350 S	5/2015	Bahler	
D739,501 S	9/2015	Flowers et al.	
D740,395 S	10/2015	Flowers et al.	
D743,507 S	11/2015	Georgeson	
D773,616 S	12/2016	Potter et al.	
D773,617 S	12/2016	Potter et al.	
D787,022 S	5/2017	Lopez	
D791,286 S	7/2017	Downey et al.	
D797,246 S	9/2017	Downey	
D797,251 S	9/2017	Downey	
D797,253 S	9/2017	Potter	
D809,106 S	1/2018	Wang	
D811,542 S	2/2018	Bennett	
D830,520 S	10/2018	Spangler	
D851,734 S	6/2019	Spangler	
D853,532 S	7/2019	Eads	

FOREIGN PATENT DOCUMENTS

CN	302782152	4/2014
CN	303170227	4/2015
CN	303233651	6/2015
CN	303289705	7/2015
CN	303817632	8/2016
CN	304904597	11/2018
CN	305421765	11/2019

“Moen 3853ORB 7" Tub Spout with ½" Slip Fit Connection from the Eva Collection (With Diverter), Available in Various Colors”; Walmart; retrieved Mar. 23, 2020; disclosure date unknown but prior to the filing date of the present application; URL: <[https://www.walmart.com/ip/3853ORB- 7"-Tub-Spout-with ½"-Slip-Fit-Connection-from-the-Eva-Collection-With-Diverter-Available-in-Various-Colors/26156593](https://www.walmart.com/ip/3853ORB-7-Tub-Spout-with-1/2-Slip-Fit-Connection-from-the-Eva-Collection-With-Diverter-Available-in-Various-Colors/26156593)>.

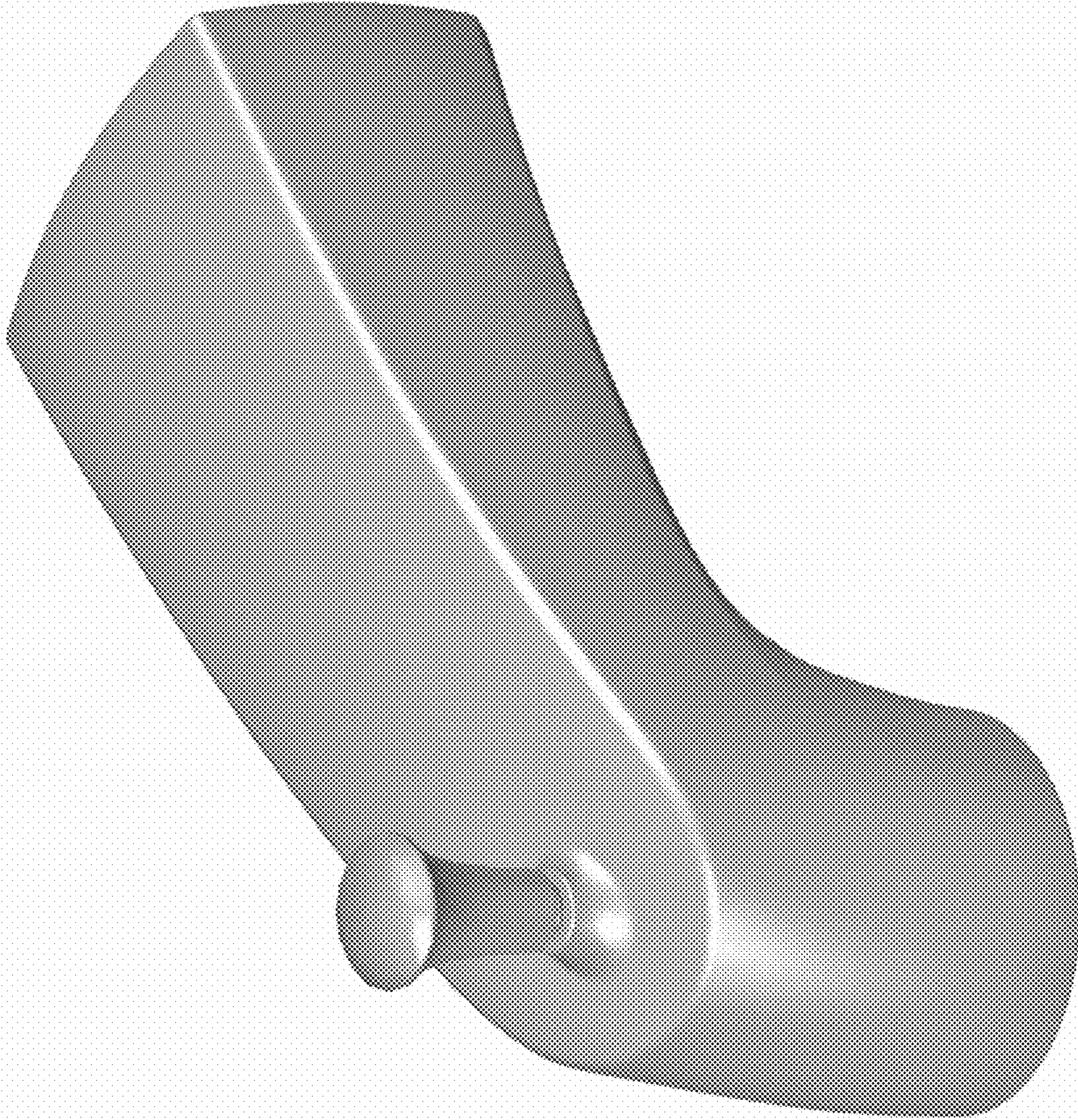
“Miseno MNOTSND200BN Brushed Nickel 6½" Non-Diverting Tub Spout”; Faucet; retrieved Mar. 23, 2020; disclosure date unknown but prior to the filing date of present application; URL: <<https://www.faucet.com/miseno-mnotsnd200-brushed-nickel-6-1-2-non-diverting-tub-spout/f3877388>>.

“Shop Delta RP5834 Integrated Diverter Tub Spout”; Overstock; retrieved Mar. 23, 2020; disclosure date unknown but prior to the filing date of the present application; URL: <[https://www.overstock.com/Home-Garden/Delta-RP5834-Classic-4-3-4in-Diverter-Wall-Mounted-Tub-Spout-Chrome/16319768/product.html?kwds=Delta% 20RP5834&option=27103483&refccid= Q4ZS7C3BULQKRG2BSWH4ILJ54Q&rfmt=&searchidx=0](https://www.overstock.com/Home-Garden/Delta-RP5834-Classic-4-3-4in-Diverter-Wall-Mounted-Tub-Spout-Chrome/16319768/product.html?kwds=Delta%20RP5834&option=27103483&refccid=Q4ZS7C3BULQKRG2BSWH4ILJ54Q&rfmt=&searchidx=0)>.

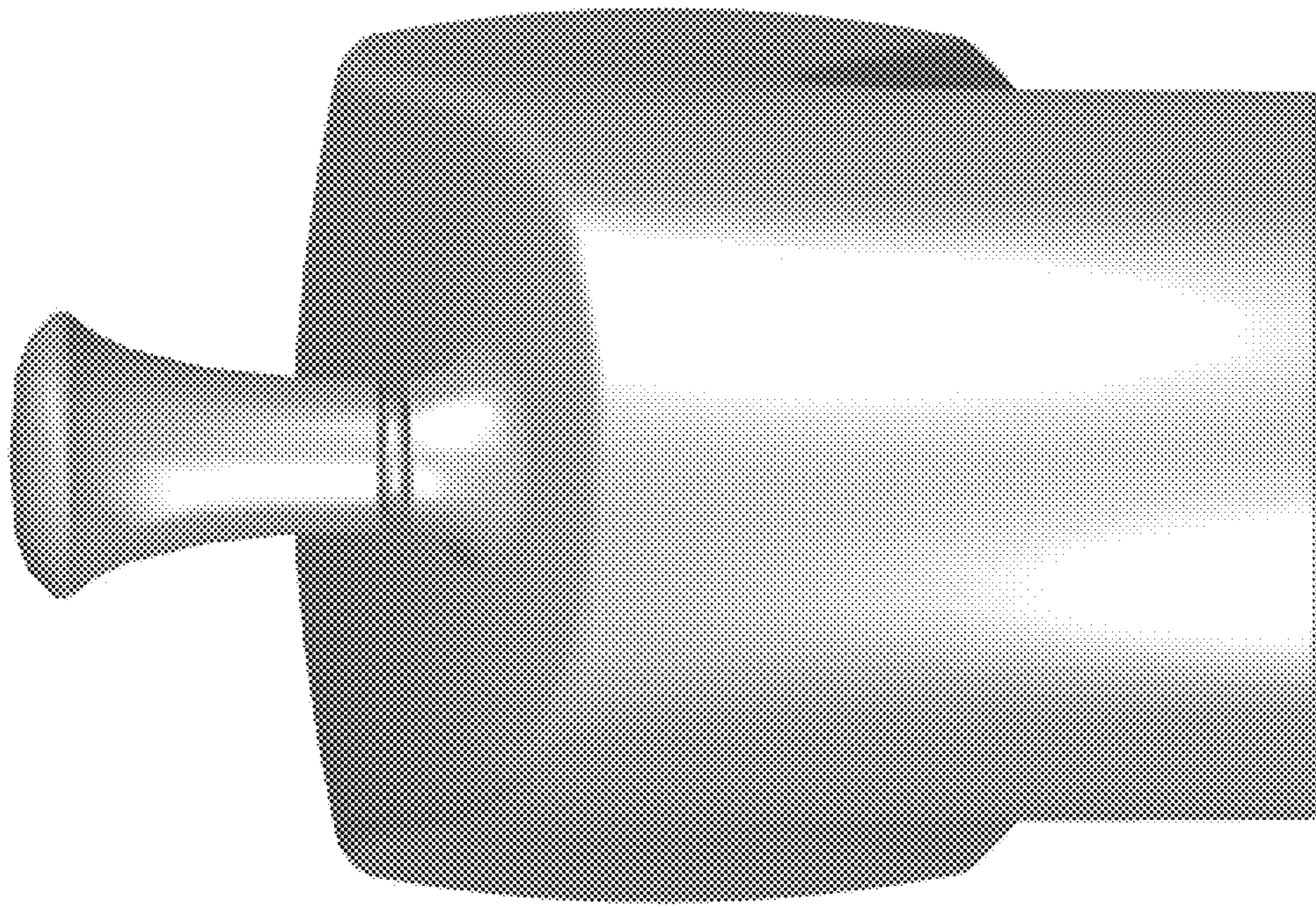
“Delta Foundations: Tub Spout—Pull-Up Diverter”; Walmart; retrieved Mar. 23, 2020; disclosure date unknown but prior to the filing date of the present application; URL: <<https://www.walmart.com/ip/Delta-Foundations-Tub-Spout-Pull-Up-Diverter/293922271>>.

“022650-0020A Diverter Slip-On Tub Spout Polished Chrome”; American Standard; retrieved Mar. 23, 2020; disclosure date unknown but prior to the filing date of present application; URL: <<https://www.americanstandard-us.com/parts-support/parts/bathtub-parts/bath-shower-faucet-parts/022650-0020a-diverter-slip-on-tub-spout-polished-chrome-49958>>.

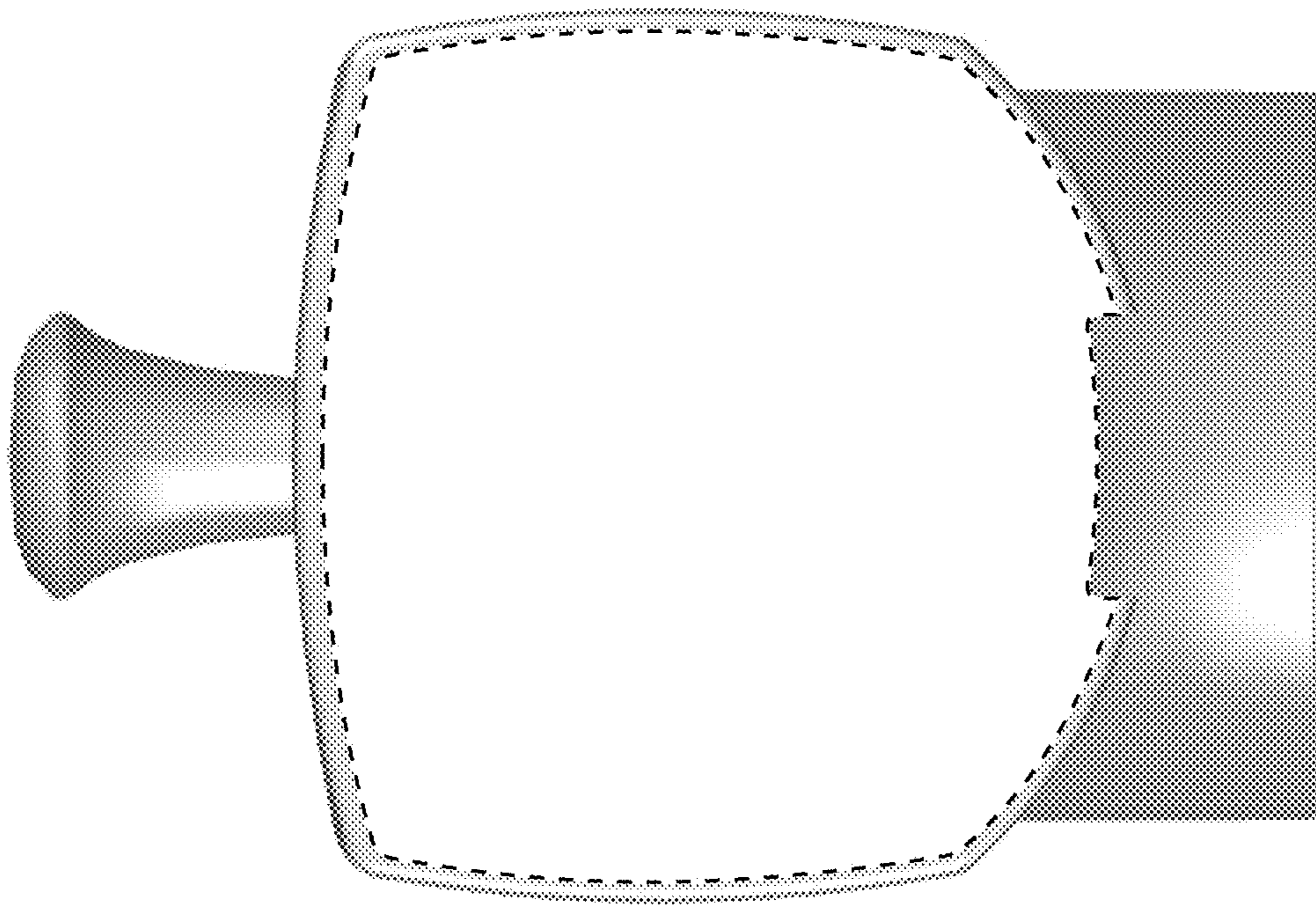
\* cited by examiner



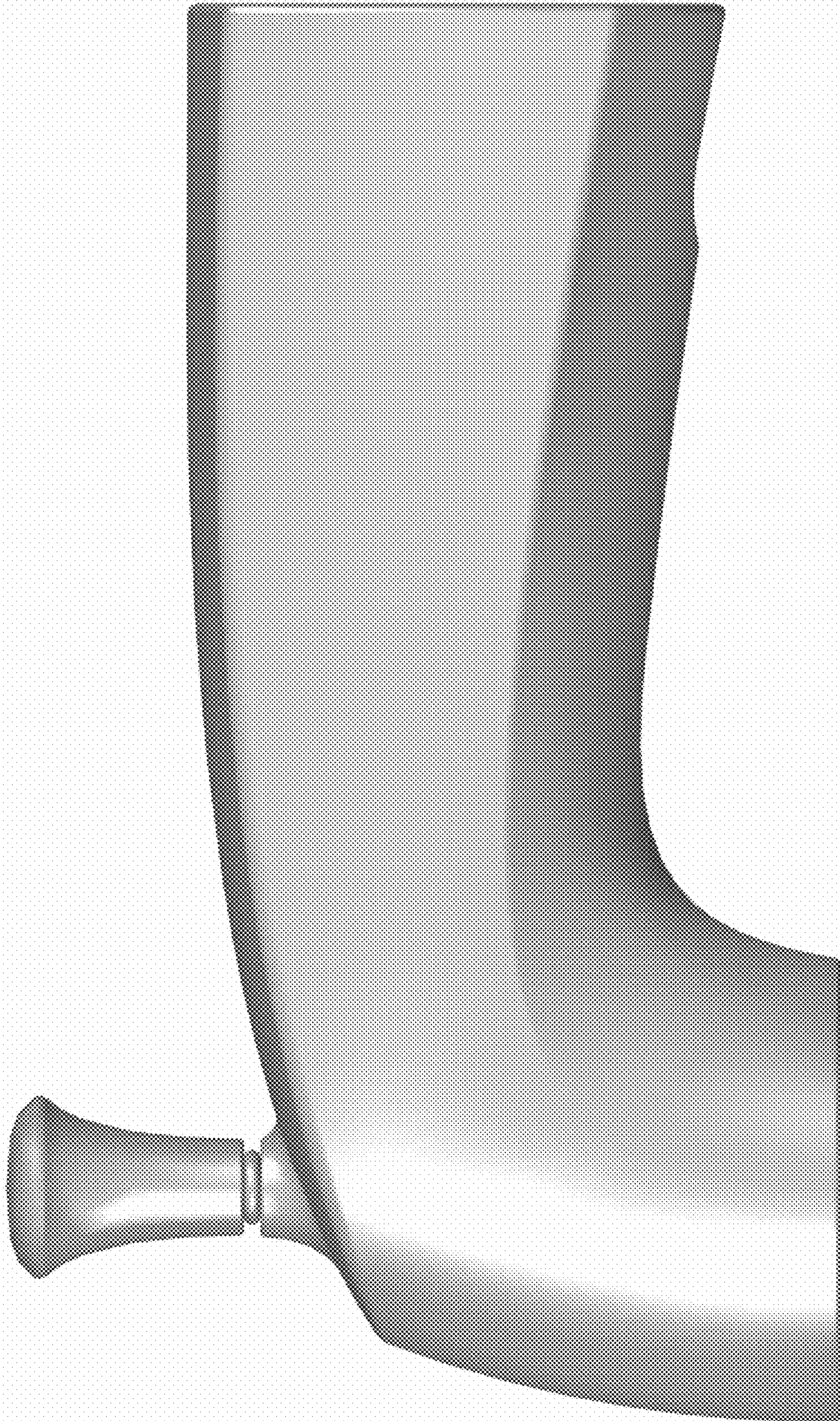
**FIG. 1**



**FIG. 2**



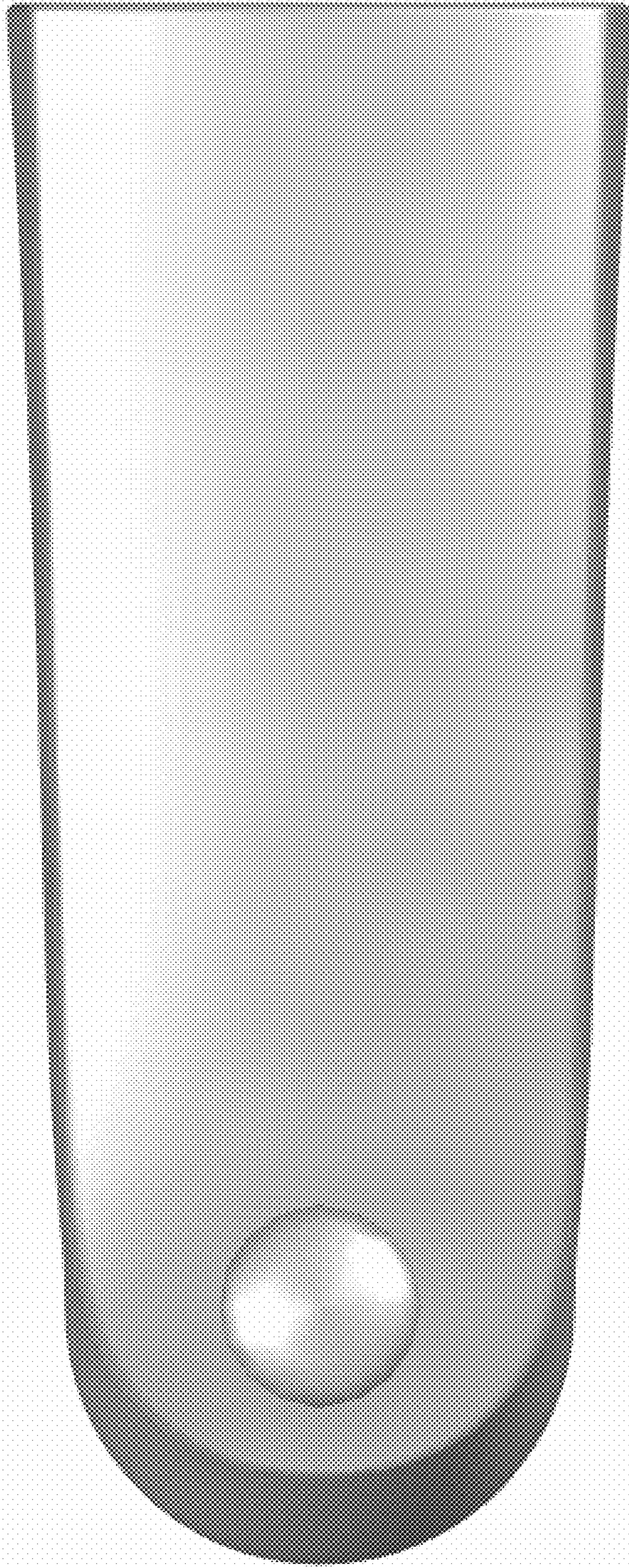
**FIG. 3**



**FIG. 4**

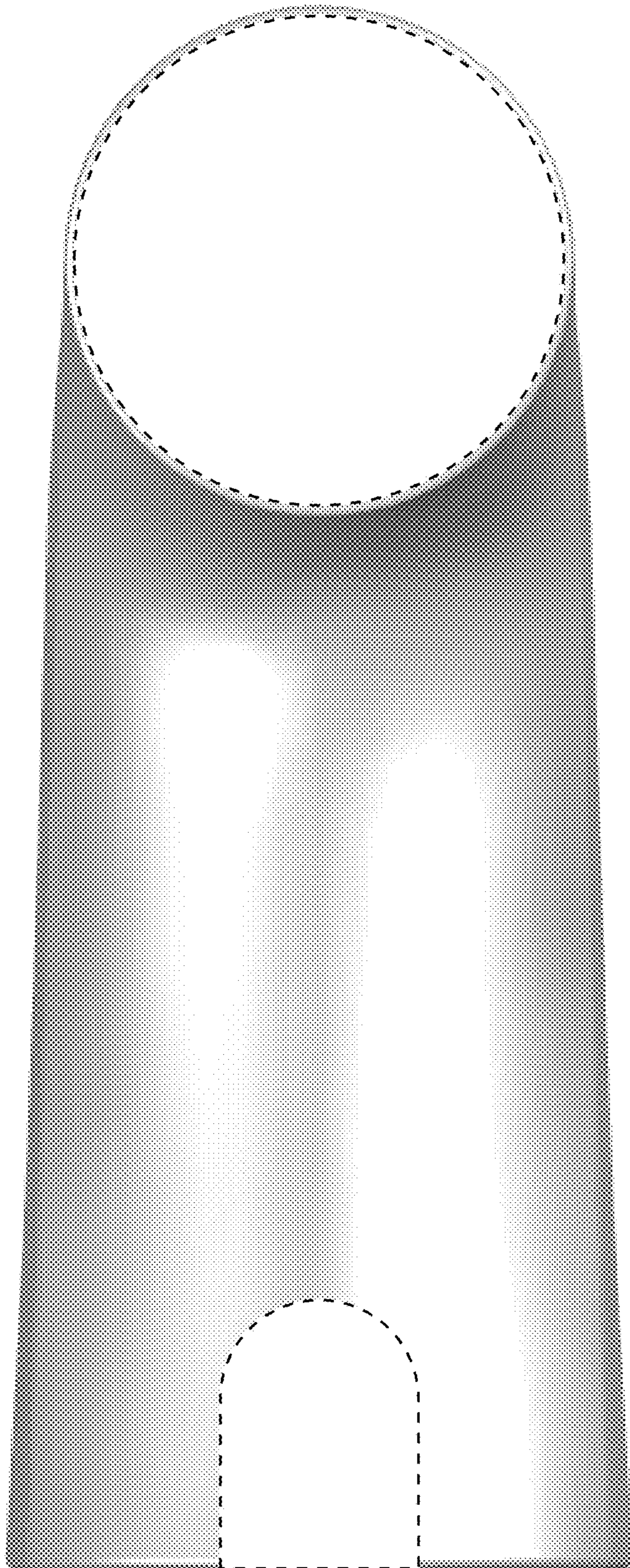


**FIG. 5**



**FIG. 6**





**FIG. 7**