



US00D980389S

(12) **United States Design Patent** (10) **Patent No.:** **US D980,389 S**
Garland et al. (45) **Date of Patent:** **** Mar. 7, 2023**

(54) **FAUCET**
(71) Applicant: **DELTA FAUCET COMPANY,**
Indianapolis, IN (US)
(72) Inventors: **Celine Kwok Garland,** Zionsville, IN
(US); **Song Qing Liao,** Guangzhou
(CN)
(73) Assignee: **DELTA FAUCET COMPANY,**
Indianapolis, IN (US)
(**) Term: **15 Years**
(21) Appl. No.: **29/776,508**
(22) Filed: **Mar. 30, 2021**
(51) **LOC (14) Cl.** **23-01**
(52) **U.S. Cl.**
USPC **D23/238**
(58) **Field of Classification Search**
USPC D23/238, 239, 240, 241, 242, 243, 246,
D23/247, 249, 250, 251, 252, 253, 254,
D23/255, 256, 257
CPC E03C 1/00; E03C 1/01; E03C 1/02; E03C
1/023; E03C 1/04; E03C 1/0401; E03C
1/0403; E03C 1/0404; E03C 1/0405;
E03C 1/0412; E03C 1/05; E03C 1/042;
F16K 31/60
See application file for complete search history.

(56) **References Cited**
U.S. PATENT DOCUMENTS
D482,757 S * 11/2003 Blomstrom D23/252
D572,798 S * 7/2008 Bickler D23/238
D590,478 S * 4/2009 Painter D23/238
D630,083 S * 1/2011 Zhang D8/308
D687,128 S * 7/2013 Bosch D23/252
D797,243 S * 9/2017 Zhang D23/238
D812,193 S * 3/2018 Seum D23/238

D926,937 S * 8/2021 Lazarini D23/238
D928,918 S * 8/2021 Lazarini D23/238
D954,190 S * 6/2022 Kim D23/238
D954,198 S * 6/2022 Stoler D23/238
D954,202 S * 6/2022 Garland D23/238
D960,324 S * 8/2022 Zhang D23/238

OTHER PUBLICATIONS

Amazon, Moen Store Wellton Single-Handle Faucet, posted Sep. 30, 2020, [online], [visited Dec. 2, 2022]. Internet, <URL: https://www.amazon.com/Moen-MOENH-84980SRN-One-Handle-CenterSet/dp/B08KGYHRKH/ref> (Year: 2020).*
Amazon, Bathlavish Bathroom Faucet Brushed Nickel, posted Jul. 14, 2019, [online], [visited Dec. 2, 2022]. Internet, <URL: https://www.amazon.com/Bathlavish-Bathroom-Waterfall-Commercial-Lead-Free/dp/B07R7Q5JYZ/ref?th=1> (Year: 2019).*
Amazon, Moen Hillard Single Handle Lavatory Faucet, posted Feb. 4, 2021, [online], [visited Dec. 3, 2022]. Internet, <URL: https://www.amazon.com/dp/B08VYGLZ9Z/ref=sbl_dp_x_home-improvement-bath-bathroom-faucets_B07R7Q5JYZ_0> (Year: 2021).*

* cited by examiner

Primary Examiner — Samantha Wood
(74) *Attorney, Agent, or Firm* — Jeffrey L. Doyle

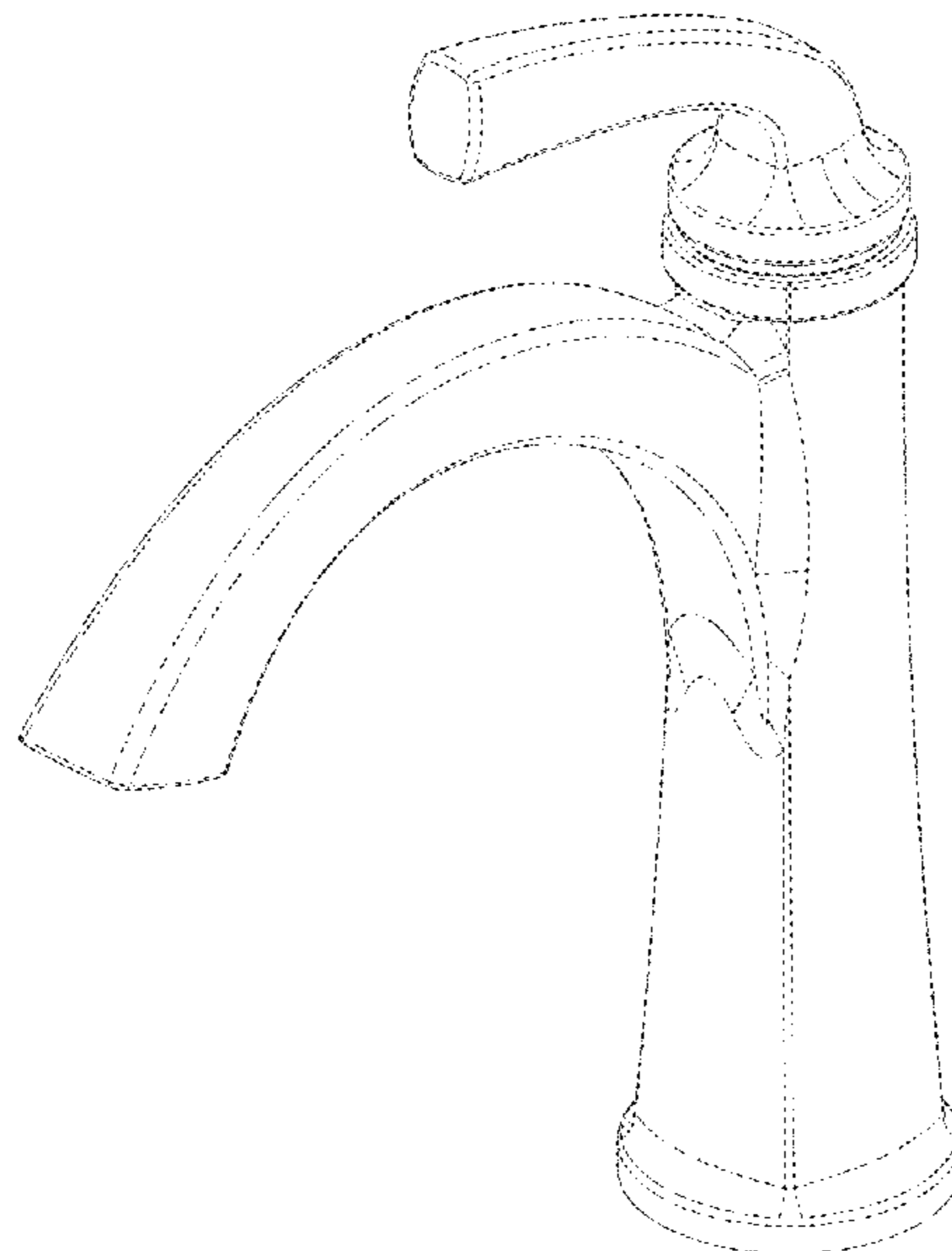
(57) **CLAIM**

The ornamental design for a faucet, as shown and described.

DESCRIPTION

FIG. 1 is a front perspective view of a faucet showing our new design;
FIG. 2 is a rear perspective view thereof;
FIG. 3 is a front elevational view thereof;
FIG. 4 is a left side view thereof;
FIG. 5 is a rear view thereof;
FIG. 6 is a right side view thereof;
FIG. 7 is a top plan view thereof; and,
FIG. 8 is a bottom view thereof.

1 Claim, 4 Drawing Sheets



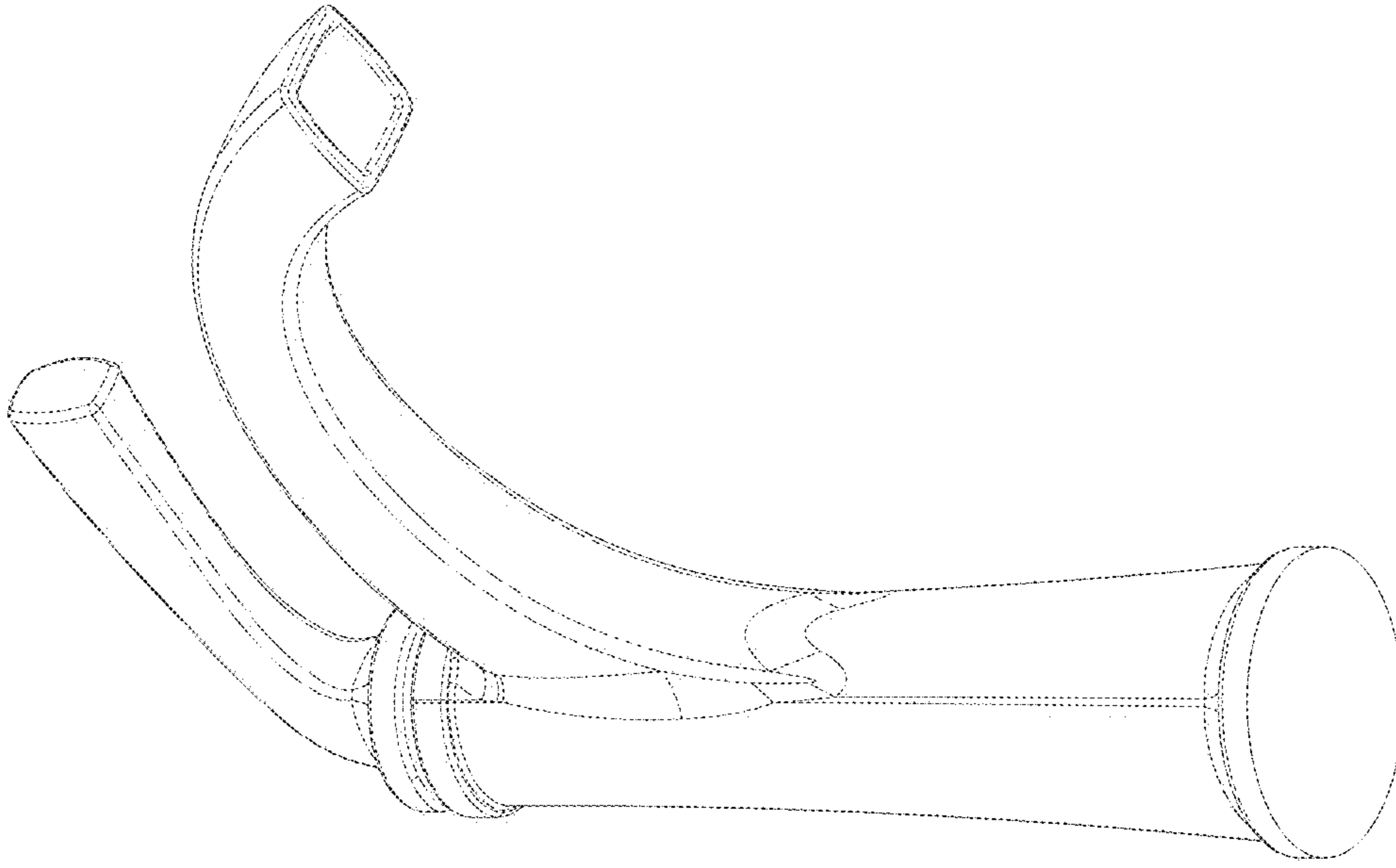


FIG - 2

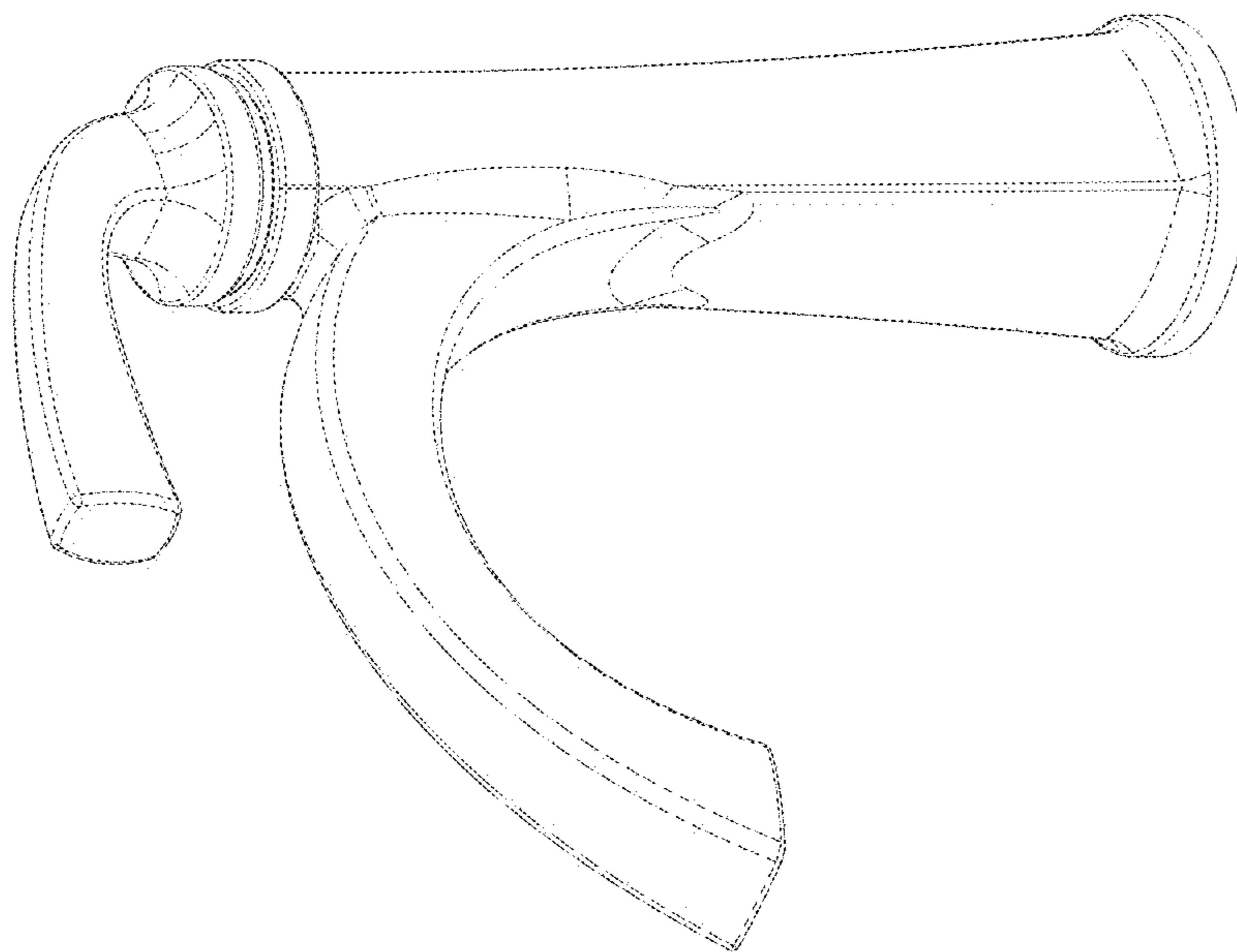


FIG - 1

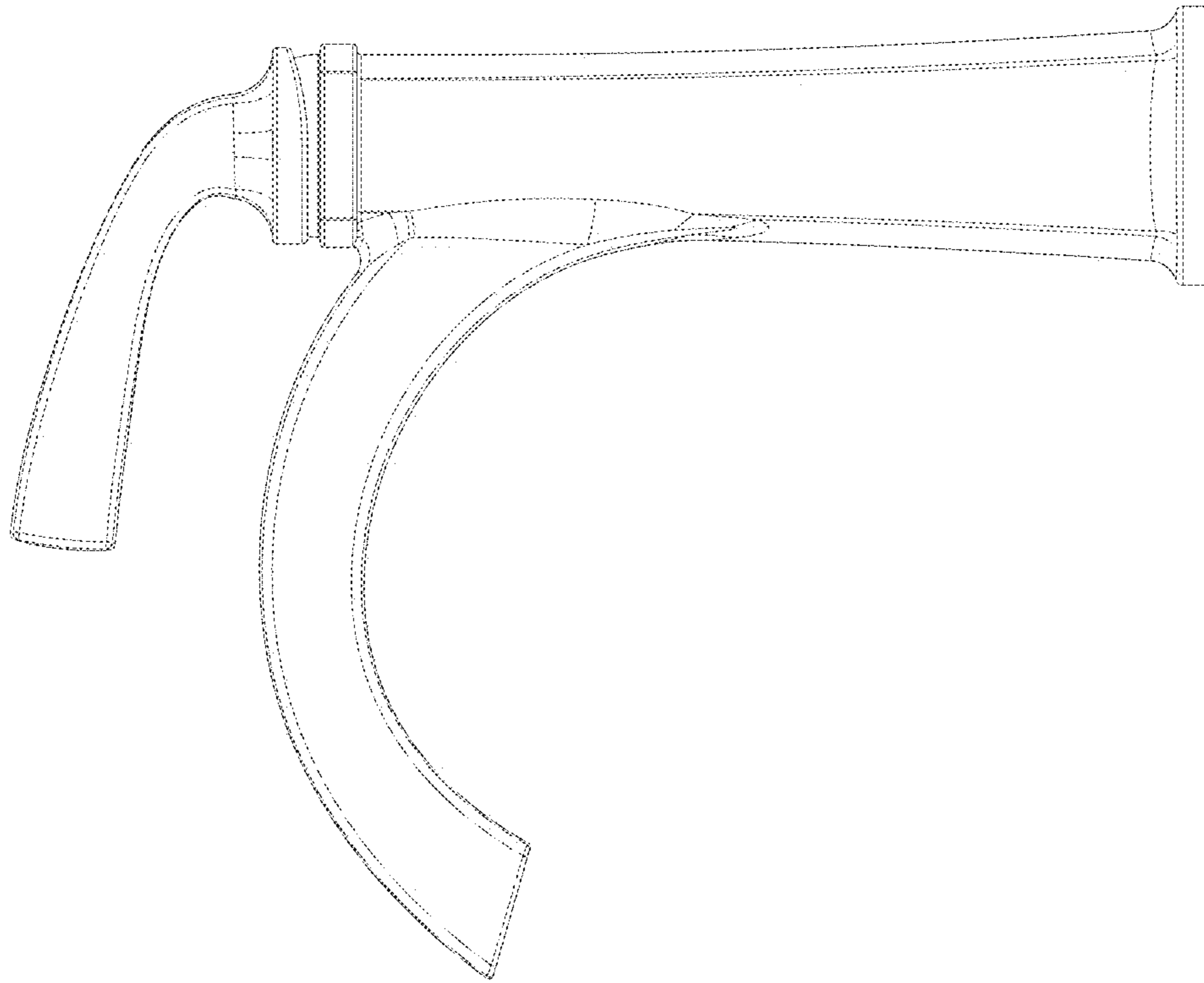


FIG - 4

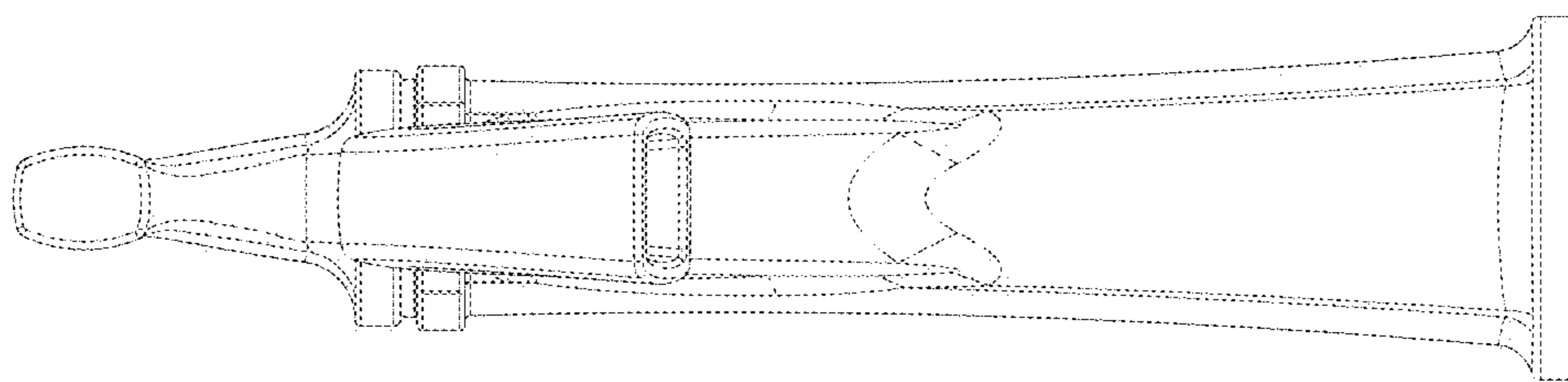


FIG - 3

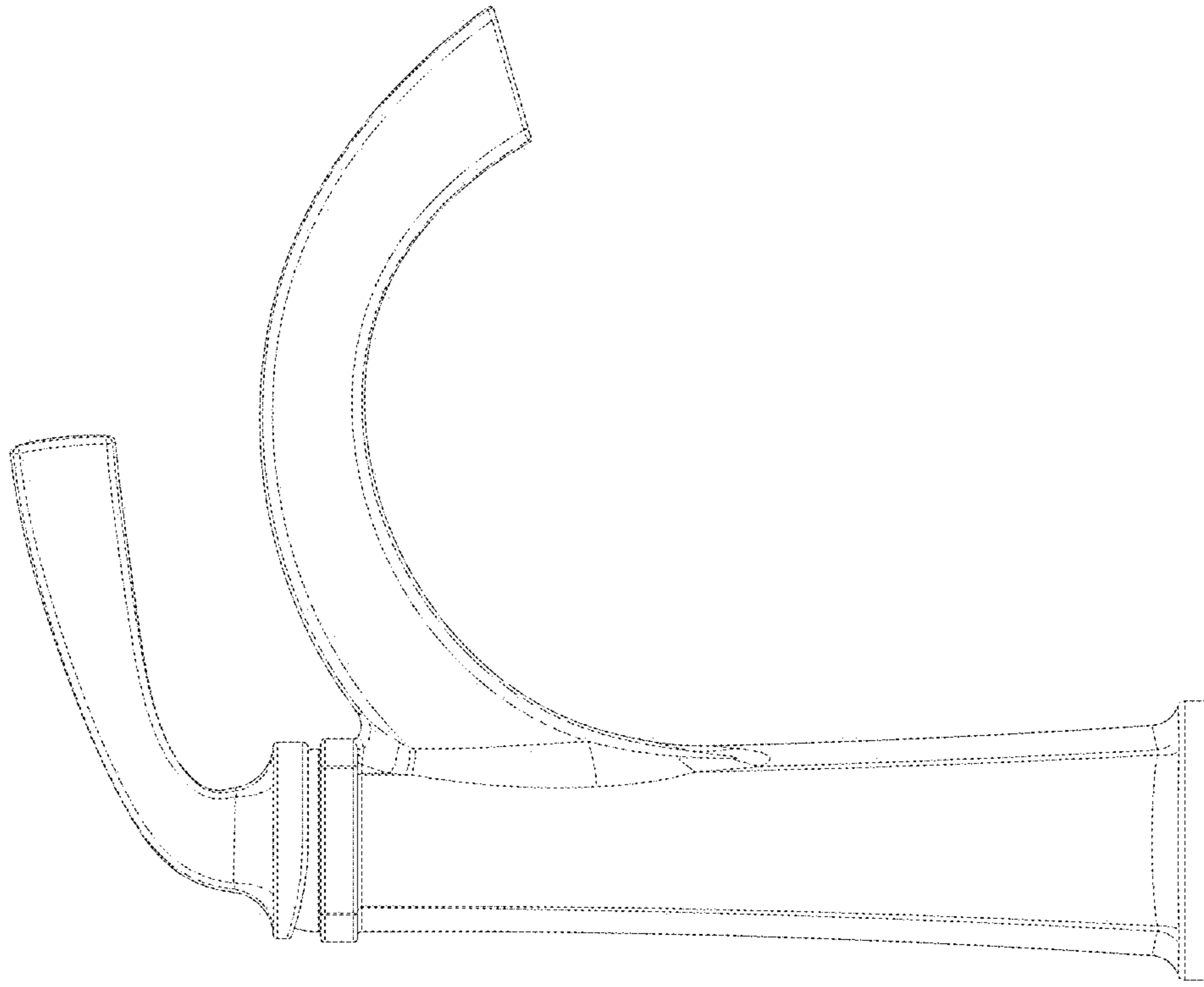


FIG - 6

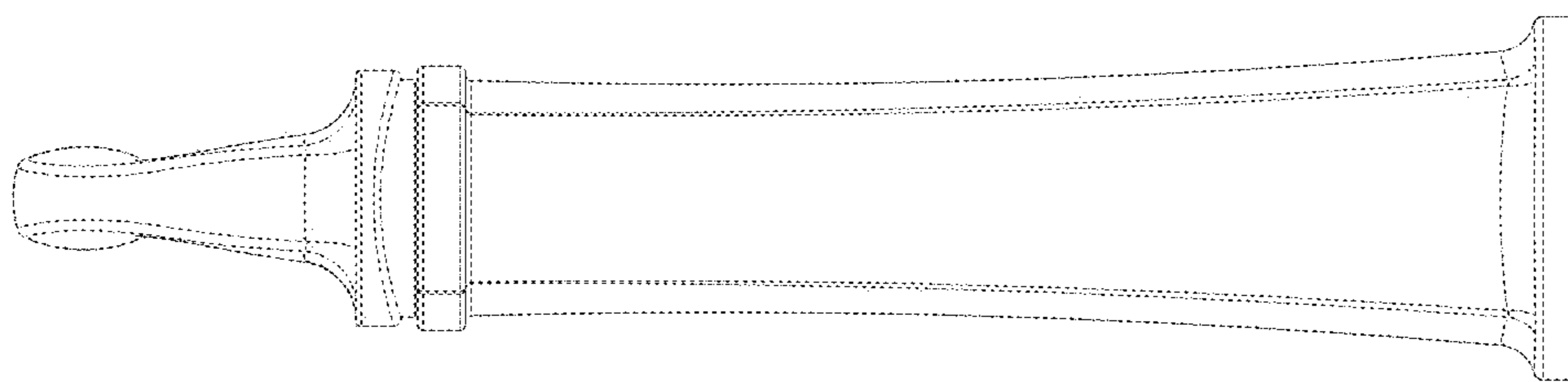


FIG - 5

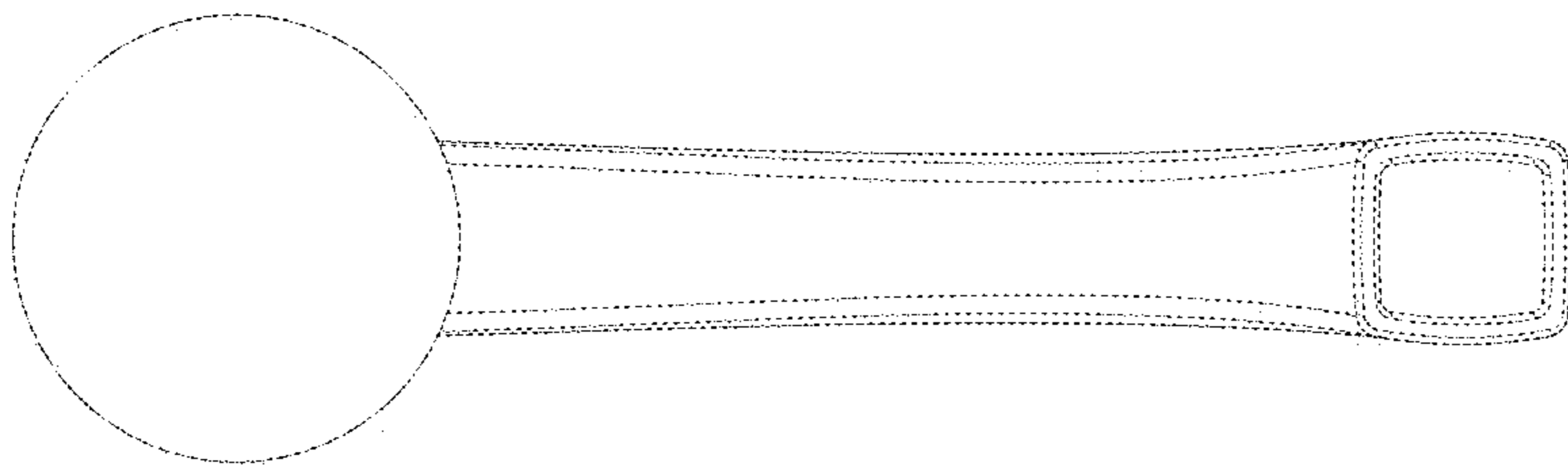


FIG - 8

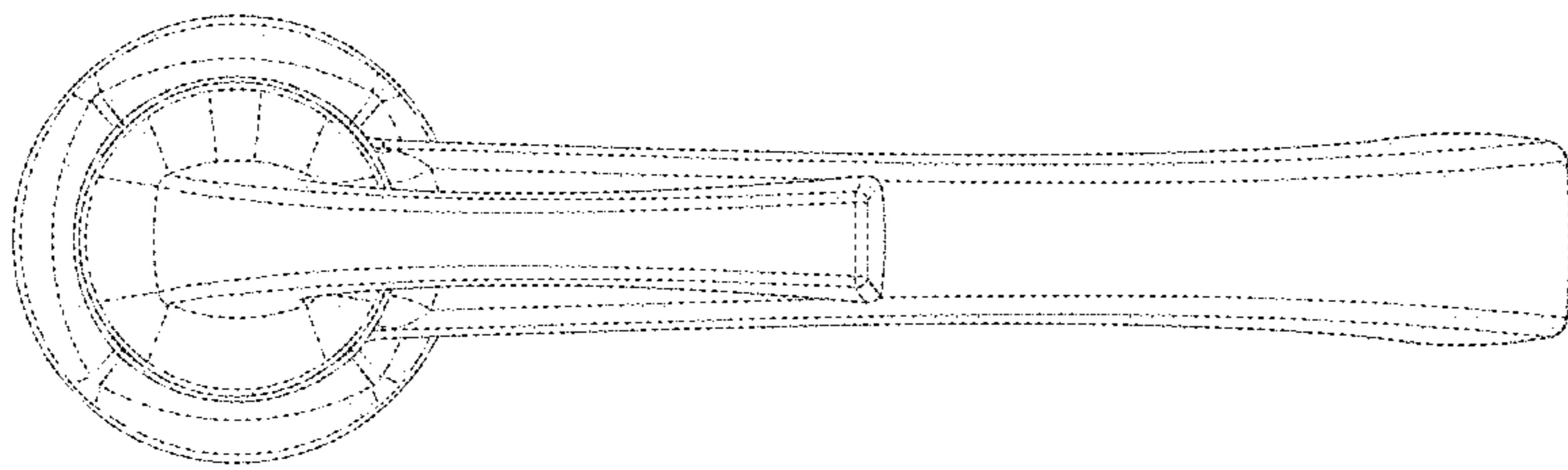


FIG - 7