



US00D980388S

(12) **United States Design Patent**  
**Swarte et al.**

(10) **Patent No.:** **US D980,388 S**  
(45) **Date of Patent:** **\*\* Mar. 7, 2023**

(54) **HANDSHOWER**

(74) *Attorney, Agent, or Firm* — Foley & Lardner LLP

(71) Applicant: **KOHLER CO.**, Kohler, WI (US)

(57) **CLAIM**

(72) Inventors: **Gregory De Swarte**, Sheboygan, WI (US); **Margaret C. Mazz**, Atlanta, GA (US); **Yutong Wu**, Sheboygan, WI (US)

We claim the ornamental design for a handshower, as shown and described.

(73) Assignee: **KOHLER CO.**, Kohler, WI (US)

**DESCRIPTION**

(\*\*) Term: **15 Years**

(21) Appl. No.: **29/841,967**

(22) Filed: **Jun. 9, 2022**

**Related U.S. Application Data**

(62) Division of application No. 29/755,098, filed on Oct. 16, 2020, now Pat. No. Des. 957,571.

(51) **LOC (14) Cl.** ..... **23-01**

(52) **U.S. Cl.**  
USPC ..... **D23/223**

(58) **Field of Classification Search**  
USPC ..... D23/213, 223, 224, 226, 228, 229, 238, D23/250

(Continued)

(56) **References Cited**

**U.S. PATENT DOCUMENTS**

D289,545 S 4/1987 Koch  
D320,643 S 10/1991 Stansbury, Jr.

(Continued)

**OTHER PUBLICATIONS**

Kohler Statement Iconic K-26286-G Specification Sheet, Jan. 17, 2022, Kohler, site visited Feb. 14, 2022: [https://www.us.kohler.com/webassets/kpna/catalog/pdf/en/K-26286-G\\_spec\\_US-CA\\_Kohler\\_en.pdf](https://www.us.kohler.com/webassets/kpna/catalog/pdf/en/K-26286-G_spec_US-CA_Kohler_en.pdf) (Year: 2022).\*

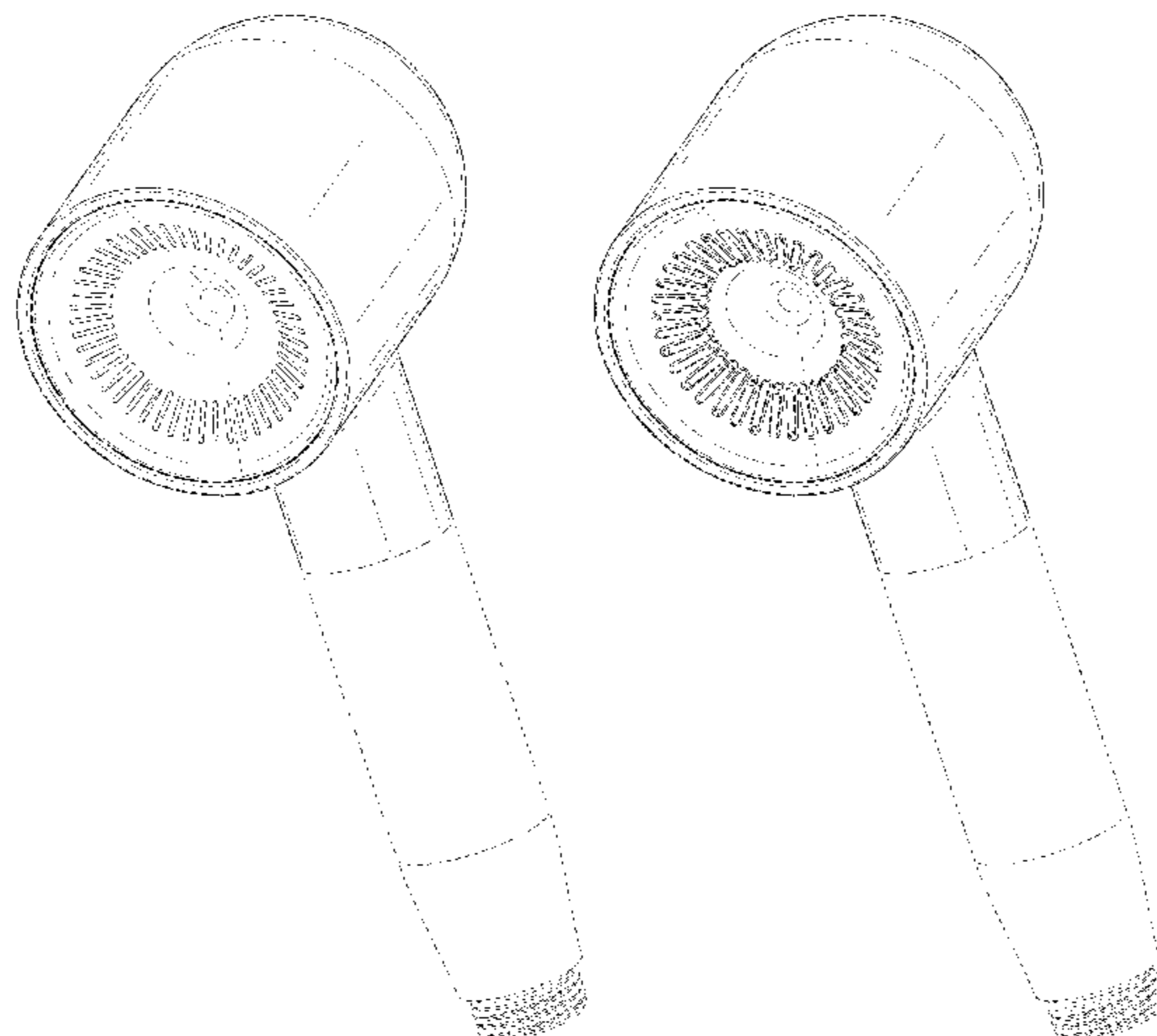
(Continued)

*Primary Examiner* — Jack Reickel  
*Assistant Examiner* — Bobby W Jones, II

(Continued)

FIG. 1 is a perspective view of an embodiment of the claimed design;  
FIG. 2 is a top view of the claimed design shown in FIG. 1;  
FIG. 3 is a bottom view of the claimed design shown in FIG. 1;  
FIG. 4 is a side view of the claimed design shown in FIG. 1;  
FIG. 5 is another side view of the claimed design shown in FIG. 1;  
FIG. 6 is a front view of the claimed design shown in FIG. 1;  
FIG. 7 is a rear view of the claimed design shown in FIG. 1;  
FIG. 8 is a perspective view of another embodiment of the claimed design;  
FIG. 9 is a top view of the claimed design shown in FIG. 8;  
FIG. 10 is a bottom view of the claimed design shown in FIG. 8;  
FIG. 11 is a side view of the claimed design shown in FIG. 8;  
FIG. 12 is another side view of the claimed design shown in FIG. 8;  
FIG. 13 is a front view of the claimed design shown in FIG. 8; and,  
FIG. 14 is a rear view of the claimed design shown in FIG. 8.

The ornamental design that is claimed is shown in the drawings as solid lines and surfaces having surface shading: The broken lines in the drawings are for illustrative purposes only and form no part of the claimed design. For example, broken lines formed by equal length dashes show unclaimed portions of the design. Broken lines formed of unequal length dashes (i.e., dash-dot) show boundaries between either claimed and unclaimed portions of the design or between unclaimed and unclaimed portions of the design.



The evenly-dashed broken line showing of a handshower is include for the purpose of illustrating portions of the article and forms no part of the claimed design. The dash-dot broken line(s) define the bounds of the claimed design and form no part thereof.

**1 Claim, 14 Drawing Sheets**

(58) **Field of Classification Search**

CPC ..... B05B 1/16; B05B 1/1618; B05B 9/01; B05B 12/002; E03C 1/0405; E03C 2001/0415

See application file for complete search history.

(56) **References Cited**

U.S. PATENT DOCUMENTS

5,145,114	A	9/1992	Monch	
D337,810	S	7/1993	Bengtson	
D352,347	S	11/1994	Dannenberg	
5,707,011	A	1/1998	Bosio	
D392,719	S	3/1998	Guo	
D404,116	S *	1/1999	Bosio	D23/223
D404,117	S *	1/1999	Bosio	D23/223
D416,979	S	11/1999	Bosio	
D419,640	S *	1/2000	Andrus	D23/223
D433,098	S	10/2000	Cutler	
D443,338	S *	6/2001	Chang	D23/238
D446,842	S	8/2001	Green et al.	
6,290,147	B1 *	9/2001	Bertrand	B05B 1/1618 239/444
D467,636	S *	12/2002	Boesch	D23/223
D473,287	S *	4/2003	Hsu	D23/238
D476,066	S	6/2003	Genslak et al.	
D510,610	S *	10/2005	Bailey	D23/223
D513,309	S *	12/2005	Kulig	D23/238
D518,145	S *	3/2006	Nikles	D23/223
D519,604	S *	4/2006	Swain	D23/209
D535,361	S *	1/2007	Noth	D23/238

D555,765	S *	11/2007	Bosio	D23/223
D565,699	S	4/2008	Berberet	
D591,398	S	4/2009	Lammel et al.	
D629,868	S	12/2010	Barnard	
D667,931	S *	9/2012	Mossman	D23/238
D764,627	S	8/2016	Banham	
D788,265	S *	5/2017	Ho	D23/226
D855,760	S *	8/2019	Lee	D23/223
D913,421	S *	3/2021	Yang	D23/223
D930,116	S *	9/2021	Sanghun	D23/223
D957,571	S *	7/2022	de Swarte	D23/223
2007/0018019	A1 *	1/2007	Nobili	B05B 12/004 239/548
2010/0084487	A1	4/2010	Gautschi et al.	
2012/0159702	A1 *	6/2012	Wu	B05B 3/0495 4/606
2013/0186496	A1 *	7/2013	Hsu	E03C 1/04 137/801
2013/0199645	A1 *	8/2013	Hsu	E03C 1/04 137/801
2016/0061346	A1 *	3/2016	Sato	B05B 1/1627 239/562
2017/0182504	A1 *	6/2017	Ho	B05B 1/185
2017/0183847	A1 *	6/2017	Ho	E03C 1/0405

OTHER PUBLICATIONS

KES Kitchen Faucet Pull Down Sprayer, Nov. 29, 2014, Amazon, site visited Feb. 14, 2022: <https://www.amazon.com/dp/B00QBJSZS8/> (Year: 2014).\*

Niagara Conservation N2935CH, Sep. 11, 2009, Amazon, site visited Nov. 16, 2022: <https://www.amazon.com/dp/B00TCODXJU/> (Year: 2009).\*

Culligan HSH-C135, Jul. 11, 2005, Amazon, site visited Feb. 14, 2022: <https://www.amazon.com/dp/B0006VVN18/> (Year: 2005).

Kohler Statement Iconic K-26286-G, Feb. 14, 2022, Kohler, site visited Feb. 14, 2022: <https://www.us.kohler.com/us/statement-single-function-iconic-1.75-gpm-handshower/productDetail/handshowers/1931332.htm> (Year: 2022).

\* cited by examiner

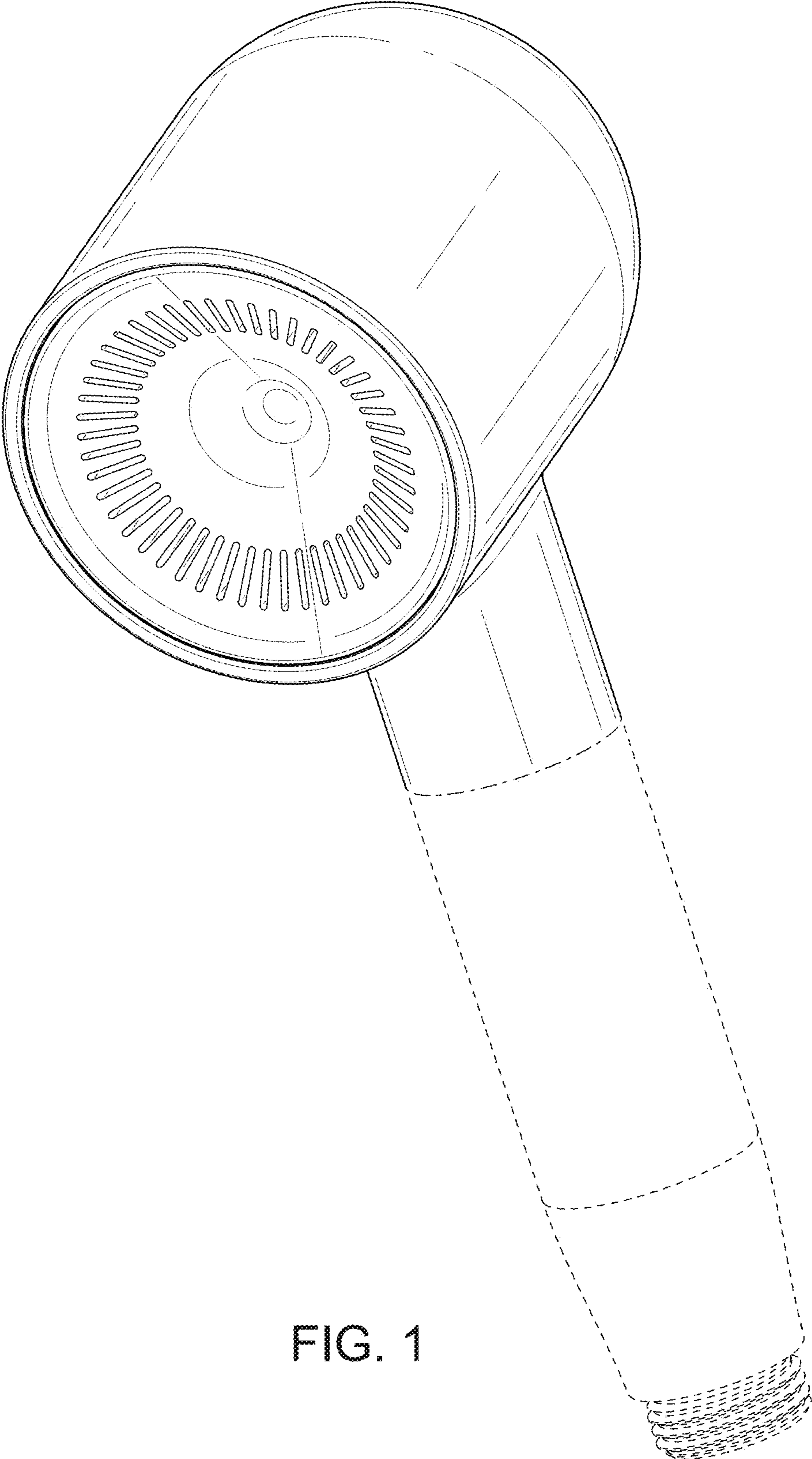


FIG. 1



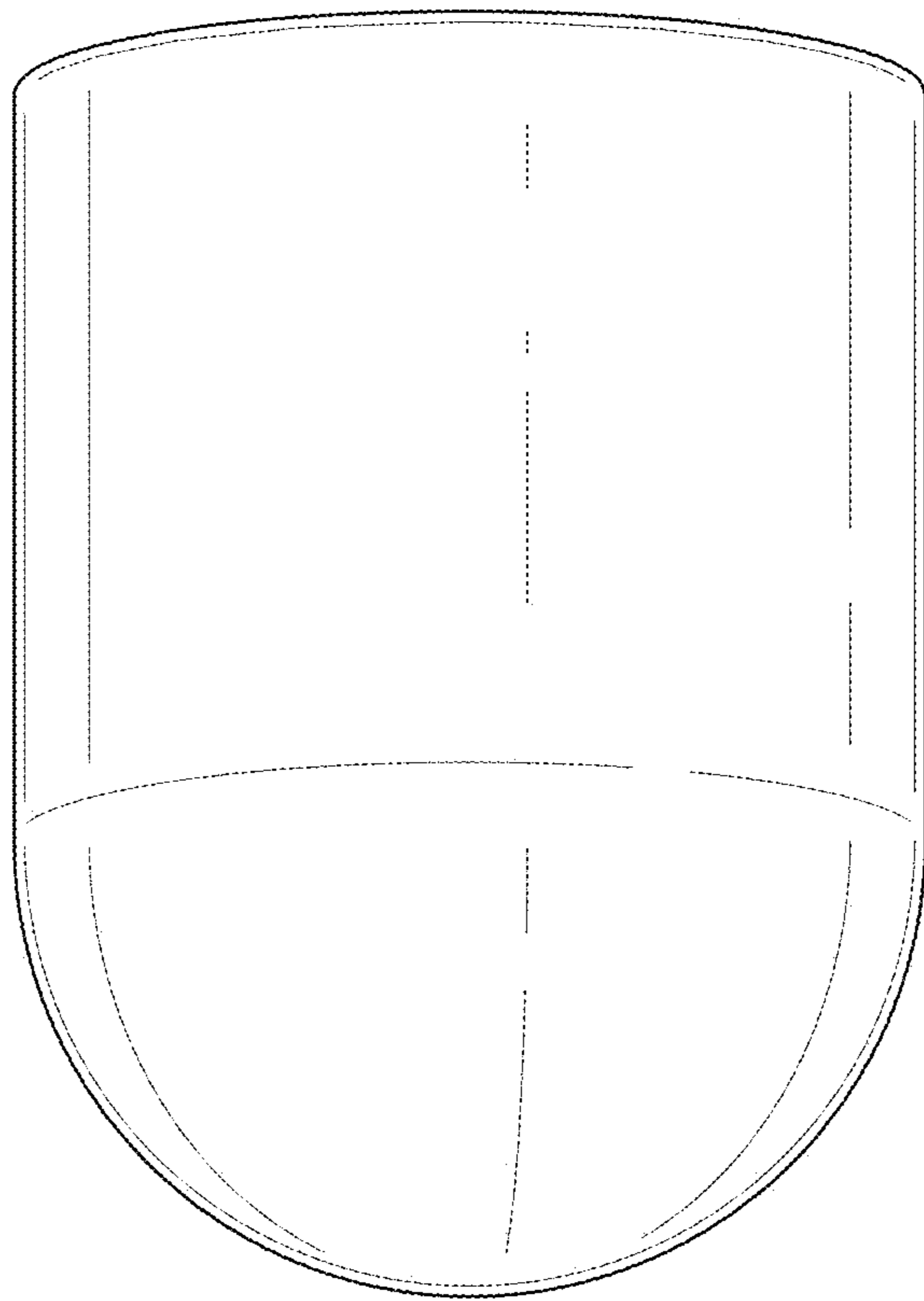


FIG. 2

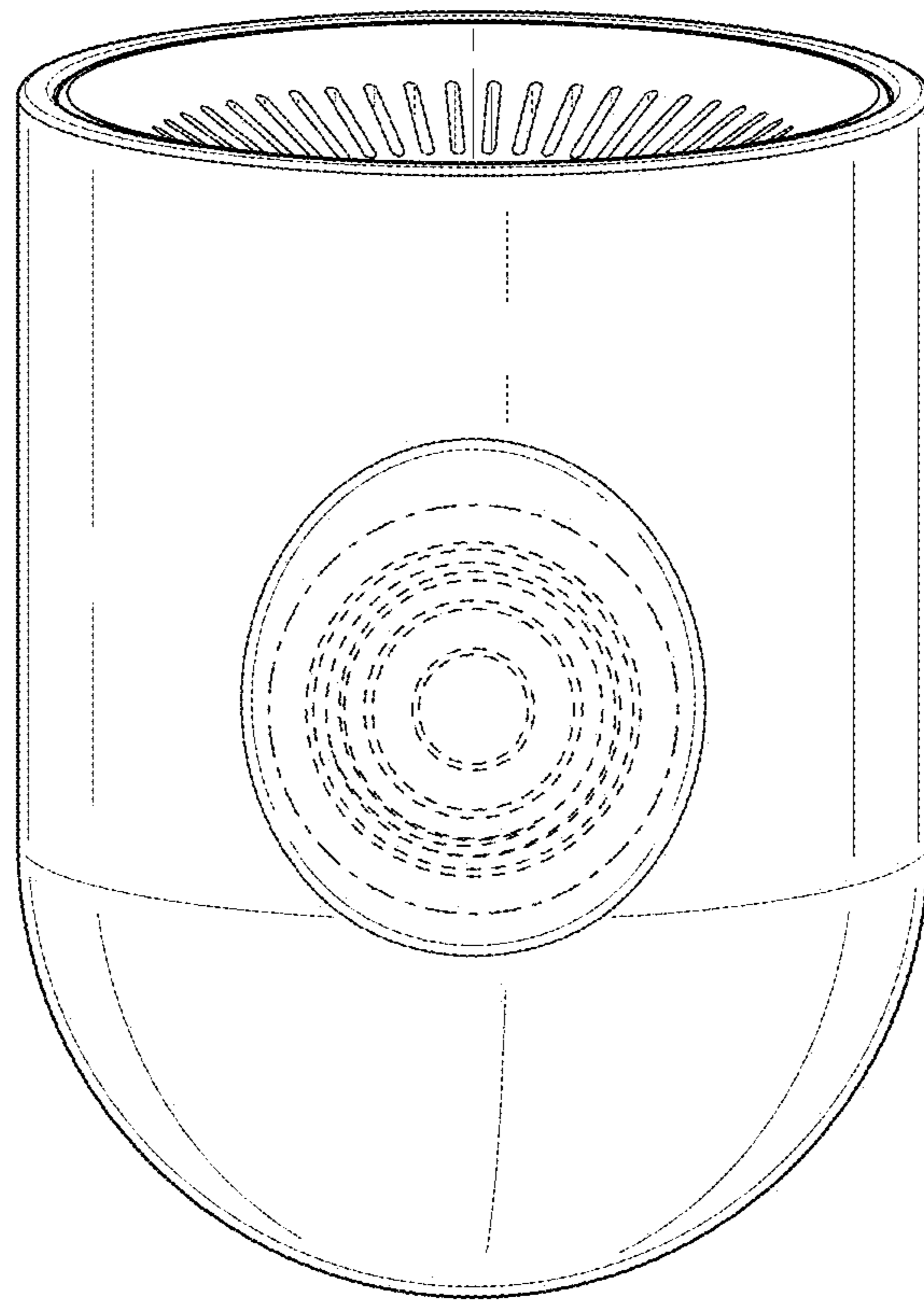


FIG. 3

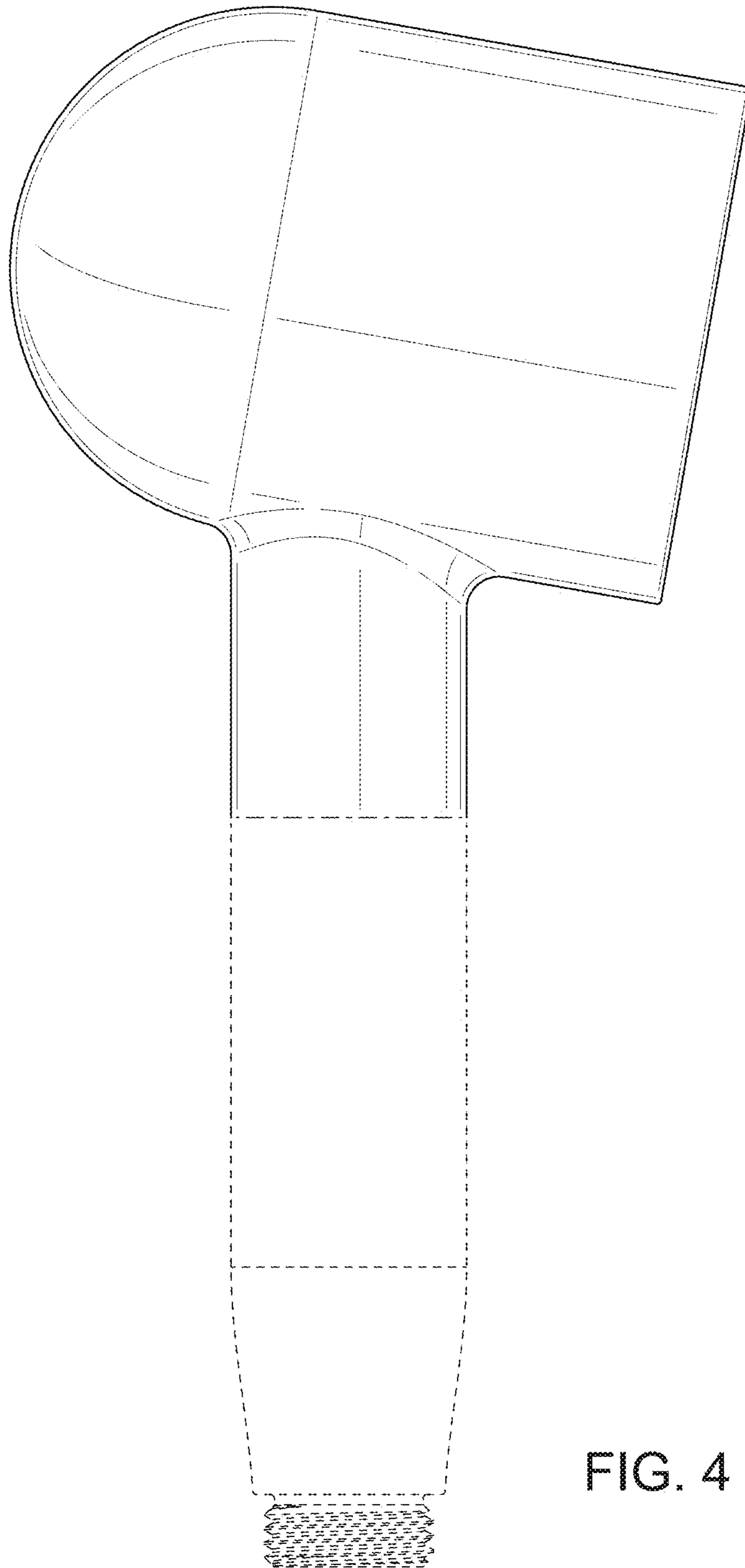


FIG. 4

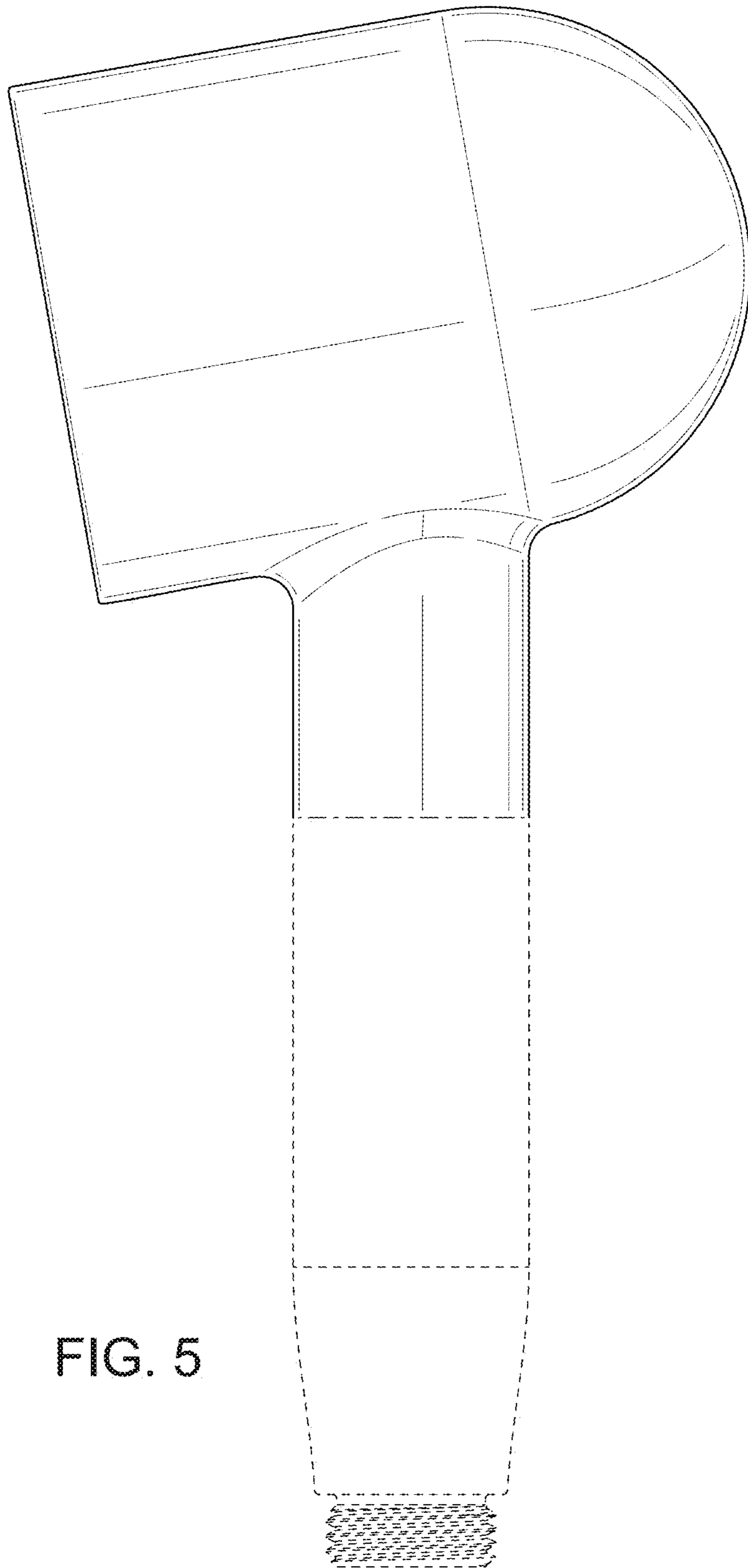


FIG. 5

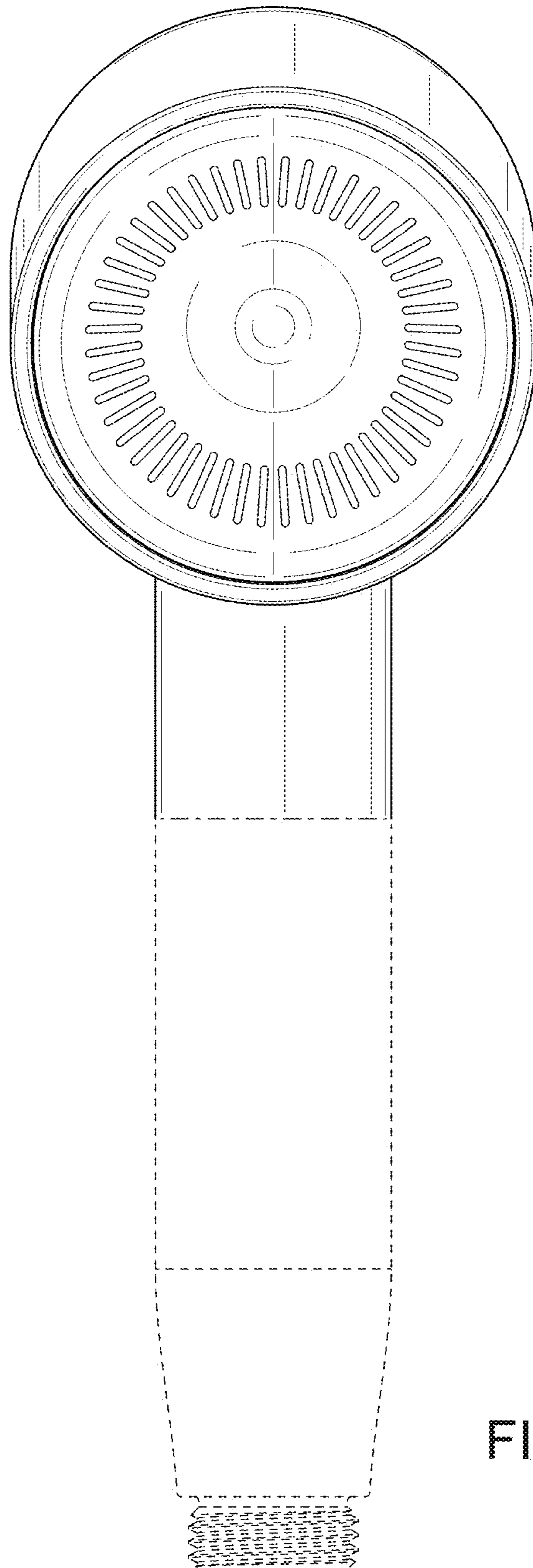


FIG. 6



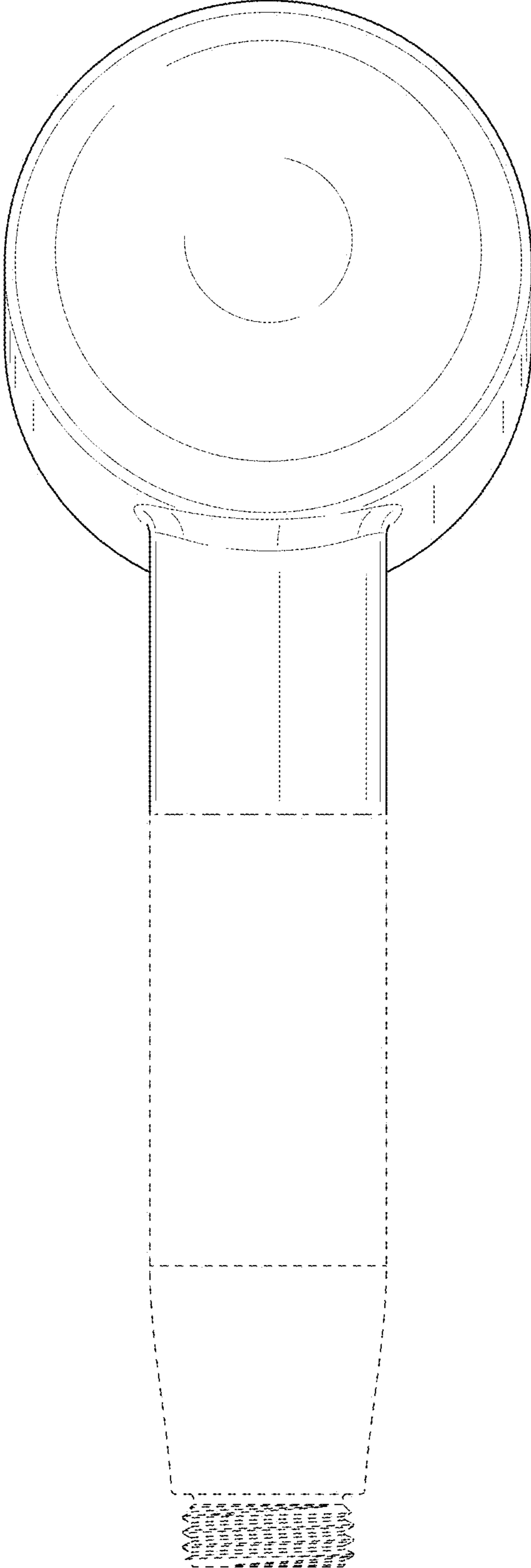


FIG. 7

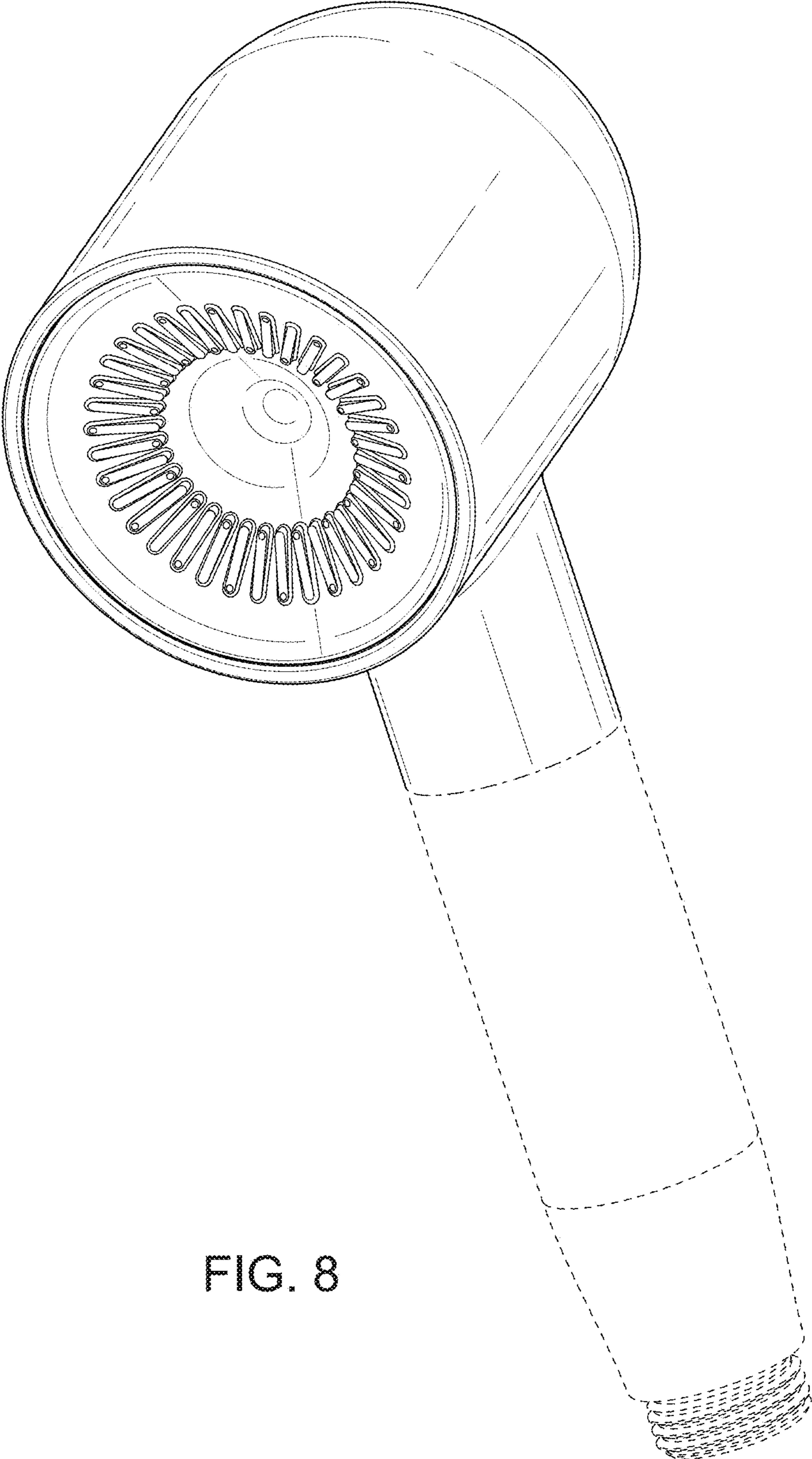


FIG. 8

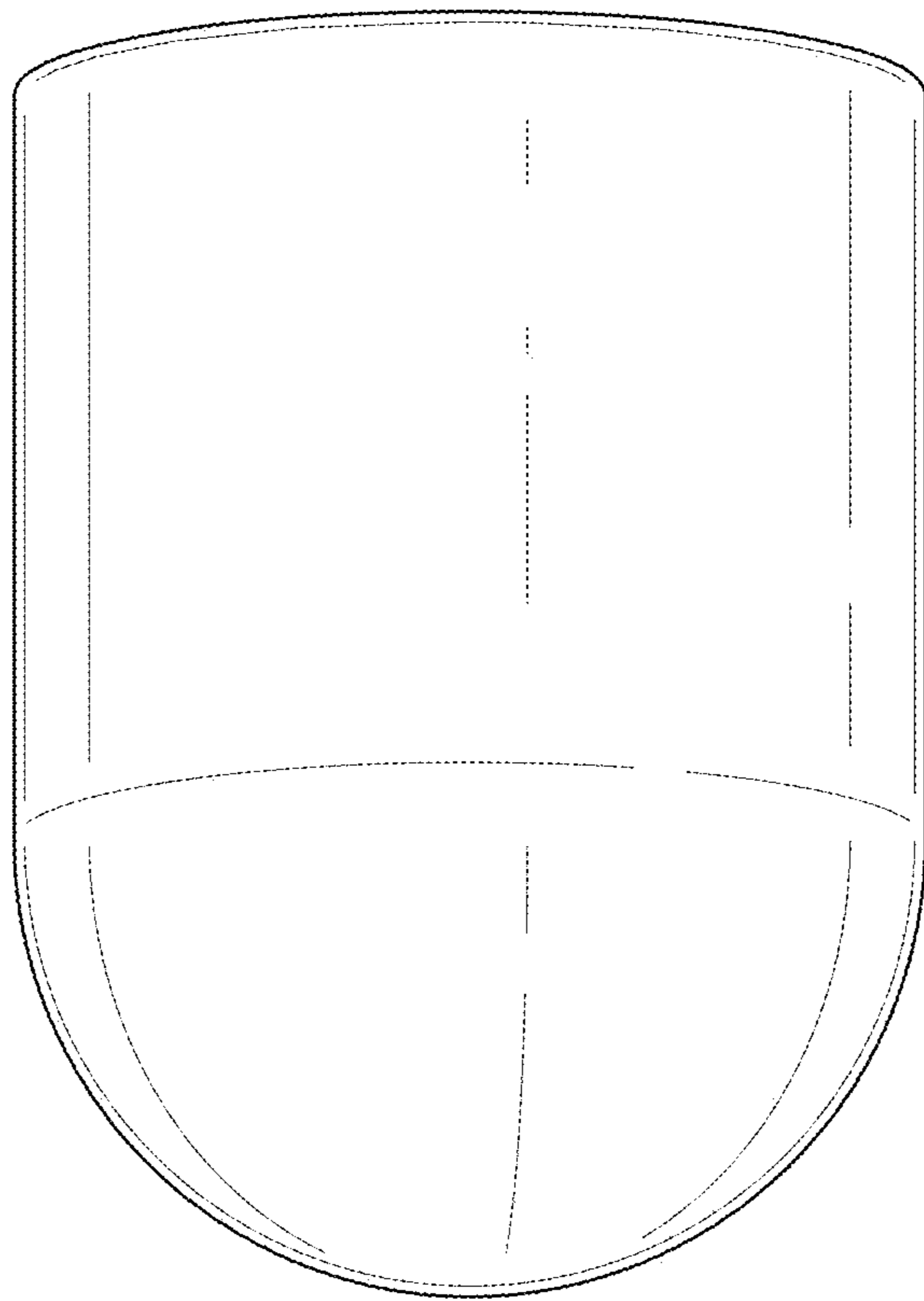


FIG. 9

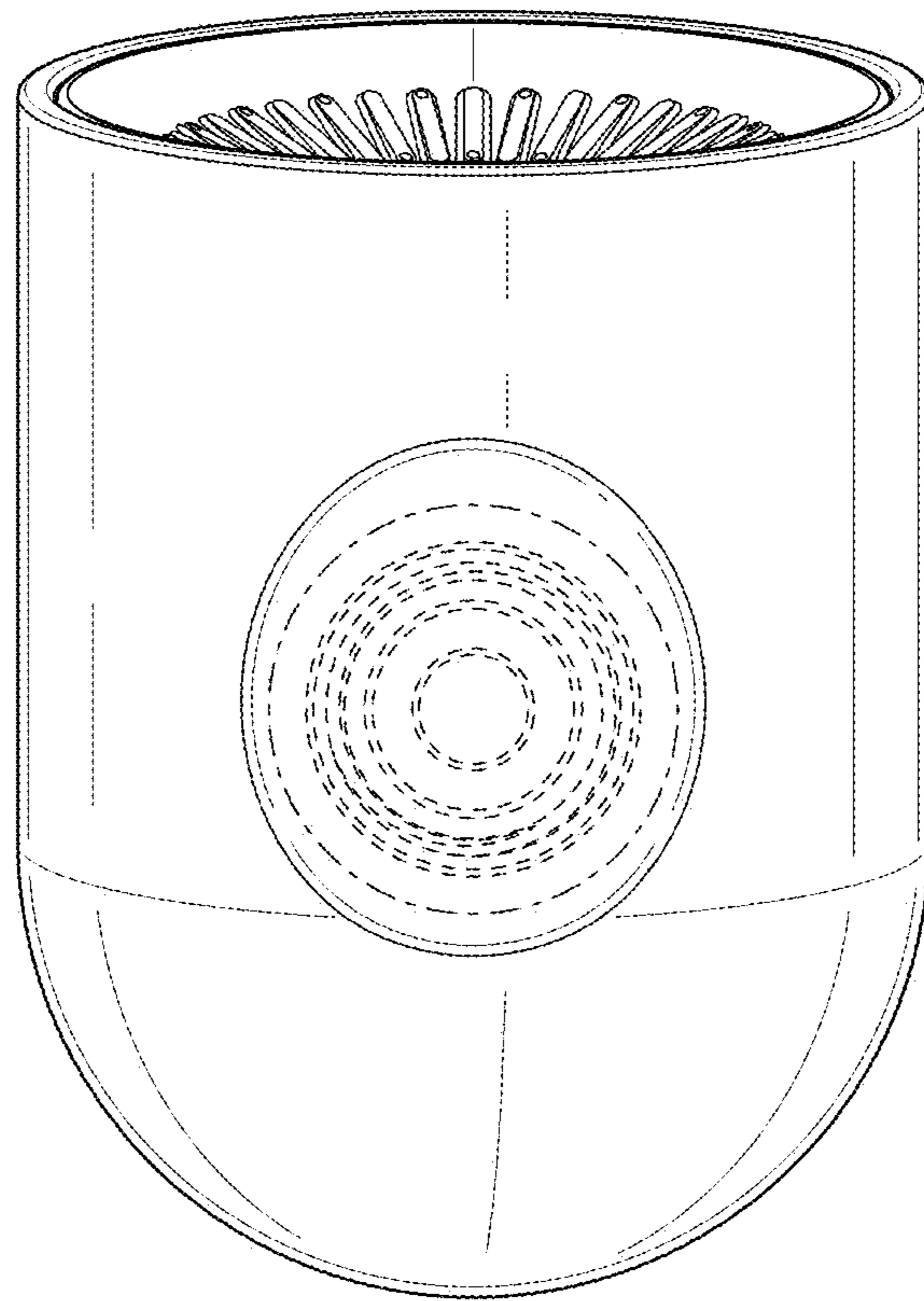


FIG. 10

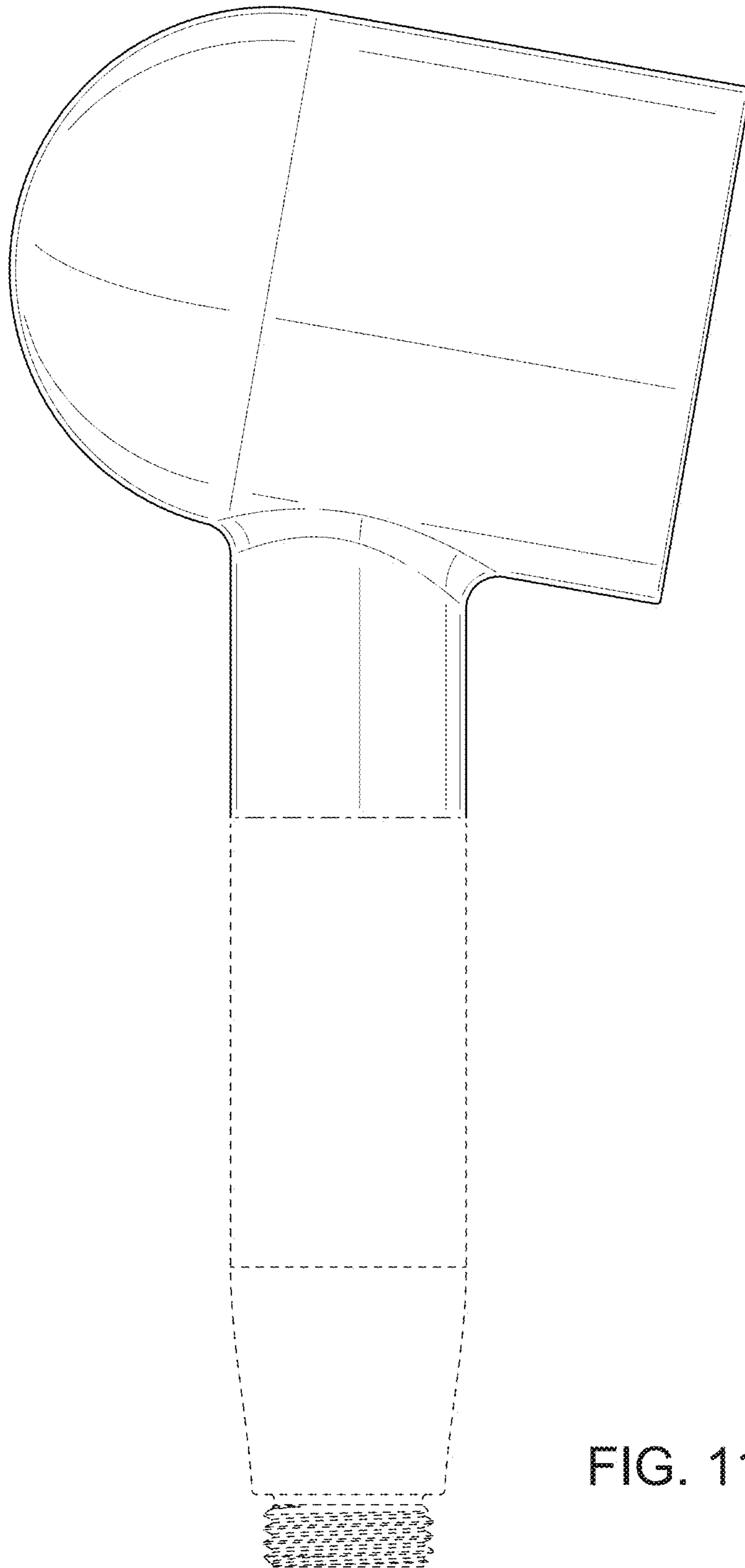


FIG. 11



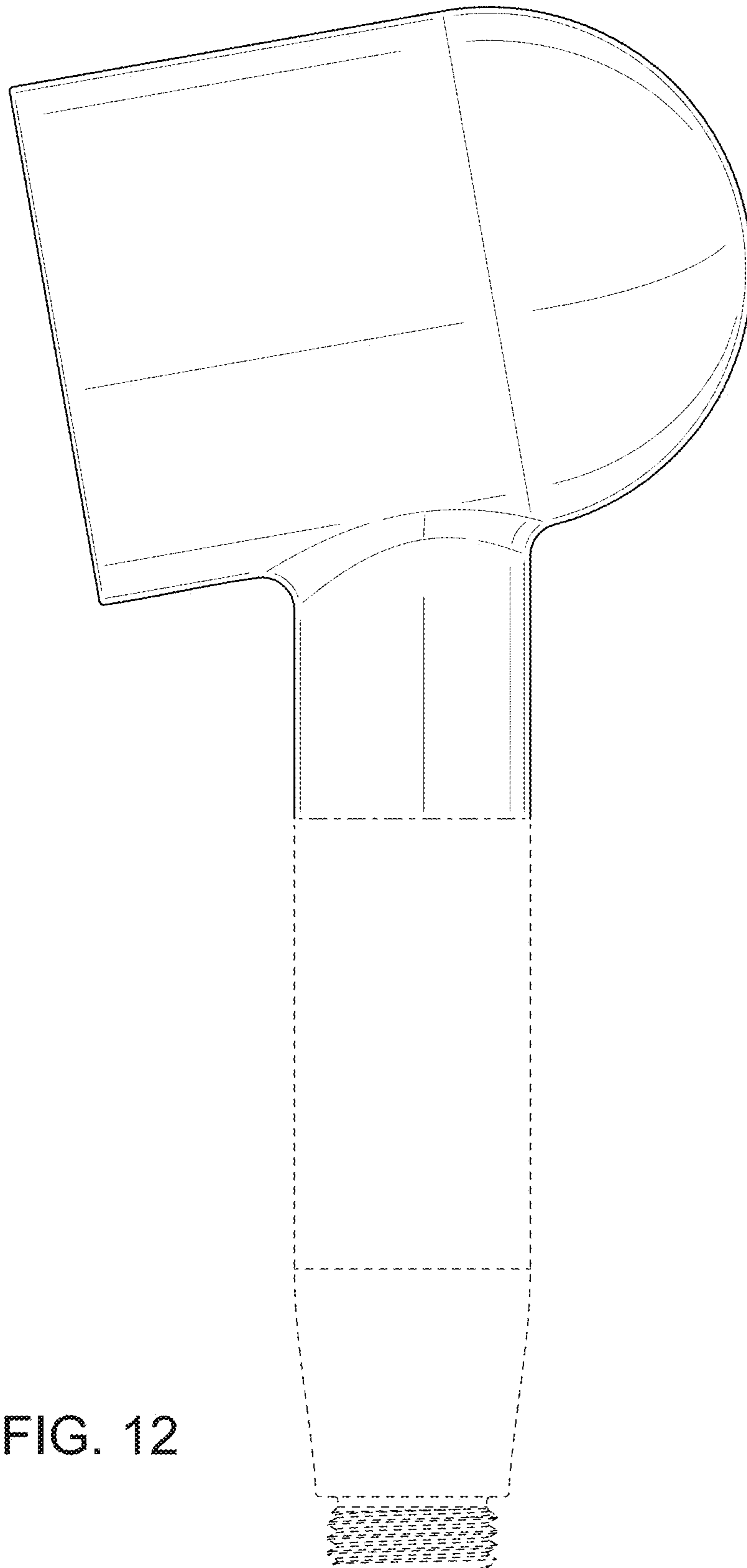


FIG. 12

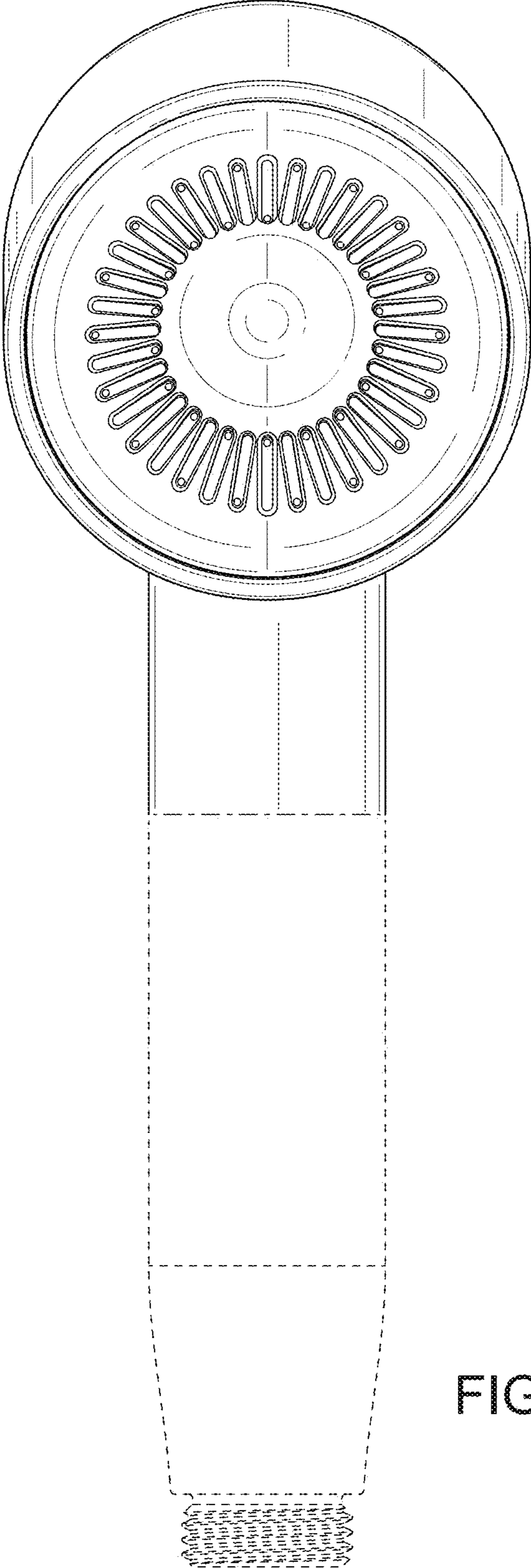


FIG. 13

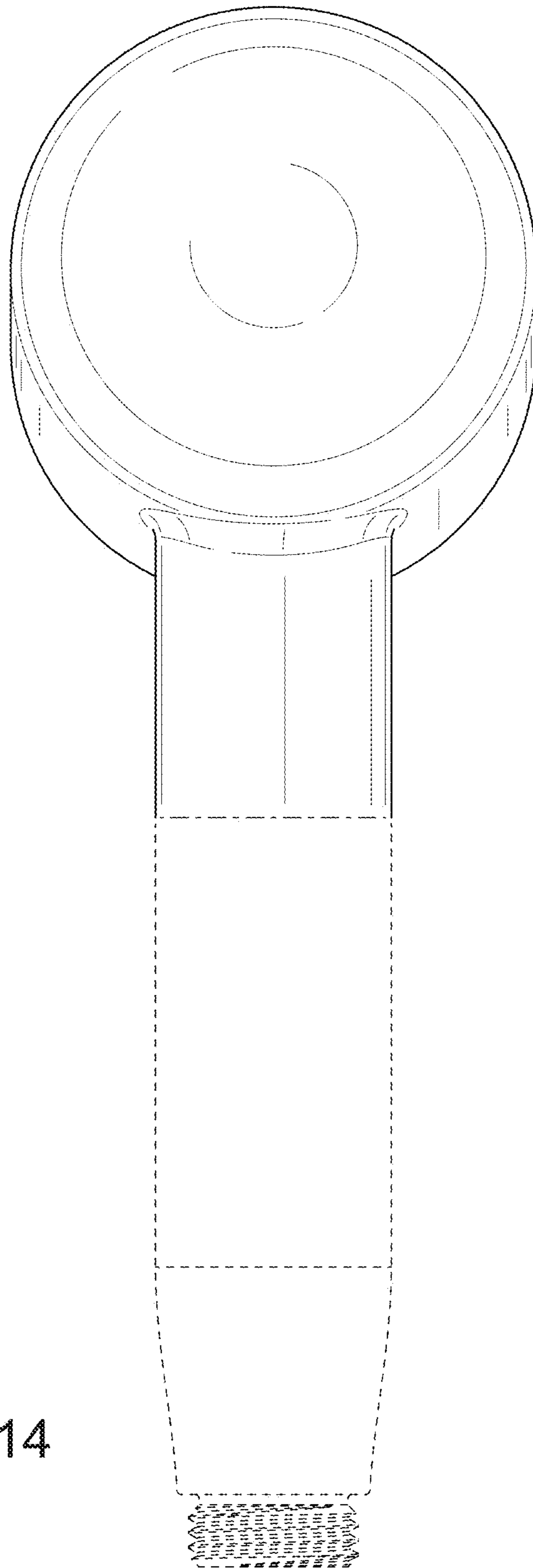


FIG. 14