



US00D980386S

(12) **United States Design Patent**
Wan

(10) **Patent No.:** **US D980,386 S**
(45) **Date of Patent:** **** Mar. 7, 2023**

(54) **WATERING CAN**

FOREIGN PATENT DOCUMENTS

(71) Applicant: **Jifang Wan**, Honghu (CN)

CN 303787701 * 8/2016

(72) Inventor: **Jifang Wan**, Honghu (CN)

CN 306024393 * 9/2020

KR 301126349.0000 * 9/2021

(**) Term: **15 Years**

OTHER PUBLICATIONS

(21) Appl. No.: **29/852,019**

Watering Can 1 Gallon for Indoor Plants, first available Jun. 26, 2021[online], [site visited Nov. 29, 2022]. Available from internet, URL:<<https://www.amazon.ca/dp/B095H2ZJSB?th=1>> (Year: 2021).*

(22) Filed: **Sep. 2, 2022**

(51) **LOC (14) Cl.** **08-05**

(52) **U.S. Cl.**

USPC **D23/212**

(58) **Field of Classification Search**

USPC D23/211-215, 223-224, 226, 229

CPC A01G 25/00; A01G 25/14; A01G 25/145

See application file for complete search history.

* cited by examiner

Primary Examiner — David G Muller

Assistant Examiner — Jamaal Rasheed

(74) *Attorney, Agent, or Firm* — Rumit Ranjit Kanakia

(56) **References Cited**

(57) **CLAIM**

The ornamental design for a watering can, as shown and described.

U.S. PATENT DOCUMENTS

DESCRIPTION

D279,310 S * 6/1985 Murphy D23/212

D459,431 S * 6/2002 Rosenberg D23/212

D591,390 S * 4/2009 Ugone D23/212

D591,391 S * 4/2009 Ugone D23/212

D603,934 S * 11/2009 Ugone D23/212

D614,261 S * 4/2010 Hung D23/212

D645,539 S 9/2011 Hung

D732,139 S 6/2015 Robledo et al.

D936,782 S 11/2021 Cox et al.

D936,783 S * 11/2021 Budak D23/212

D961,045 S * 8/2022 Lu D23/212

2004/0197436 A1 * 10/2004 Anderson B29C 49/50

2010/0163641 A1 * 7/2010 Ugone A01G 25/14

2016/0249540 A1 * 9/2016 Zimmer A01G 25/14

425/290
239/377
239/377

FIG. 1 is a first perspective view of a watering can showing my new design;

FIG. 2 is a second perspective view thereof;

FIG. 3 is a front view thereof;

FIG. 4 is a back view thereof;

FIG. 5 is a left side view thereof;

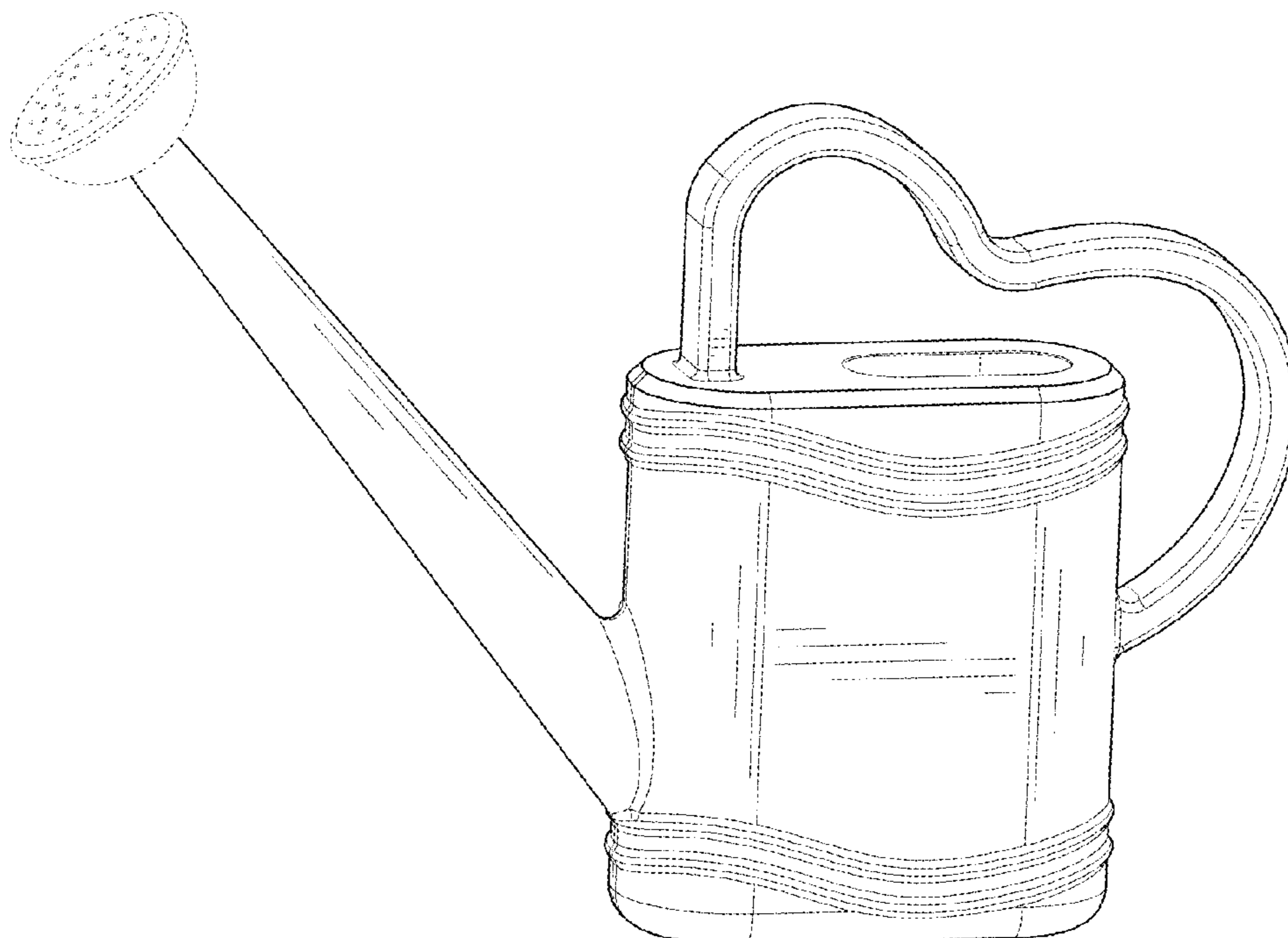
FIG. 6 is a right side view thereof;

FIG. 7 is a top view thereof; and,

FIG. 8 is a bottom view thereof.

The broken lines shown in the drawings depict portions of the watering can that form no part of the claimed design.

1 Claim, 8 Drawing Sheets



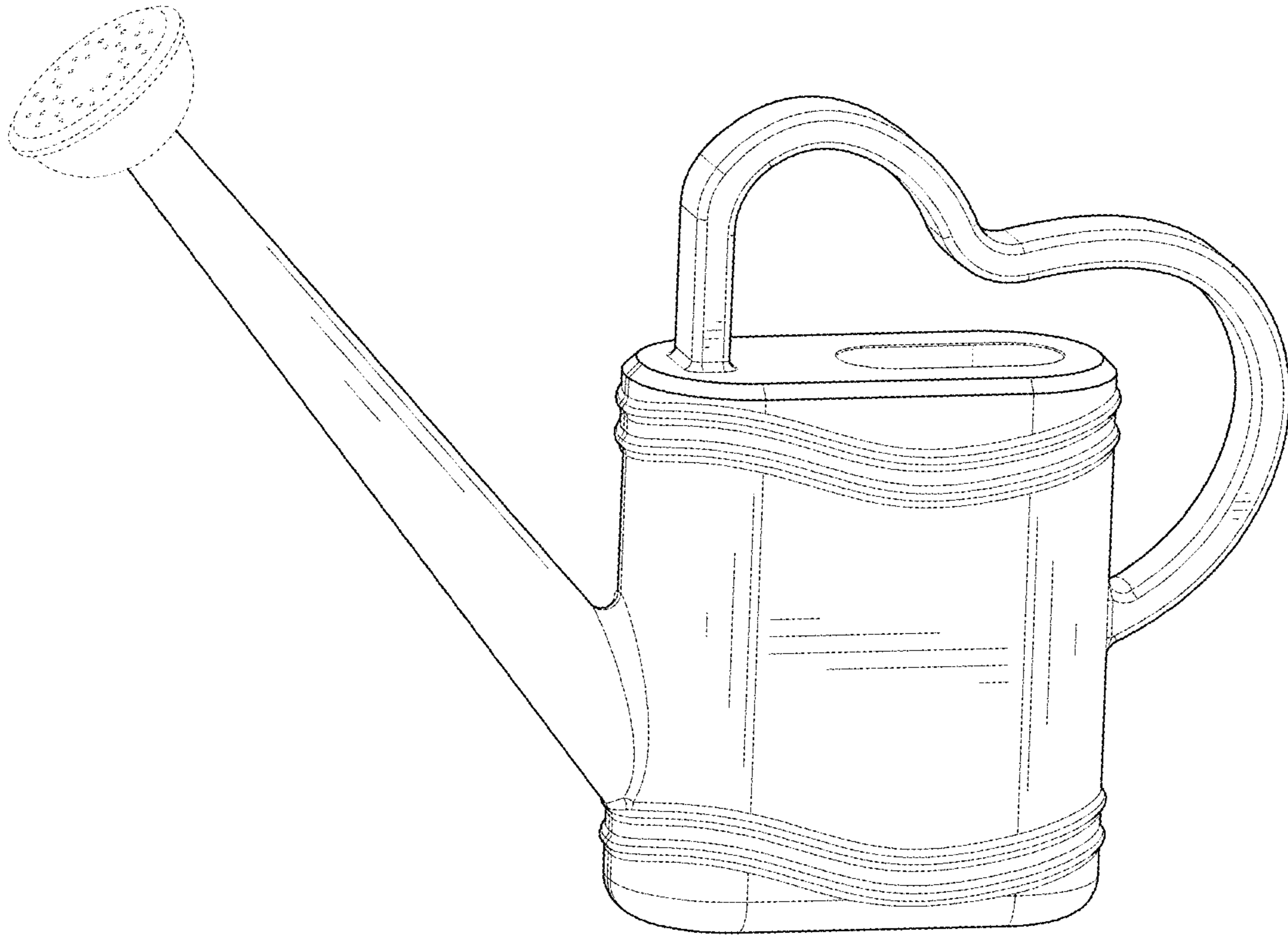


FIG. 1

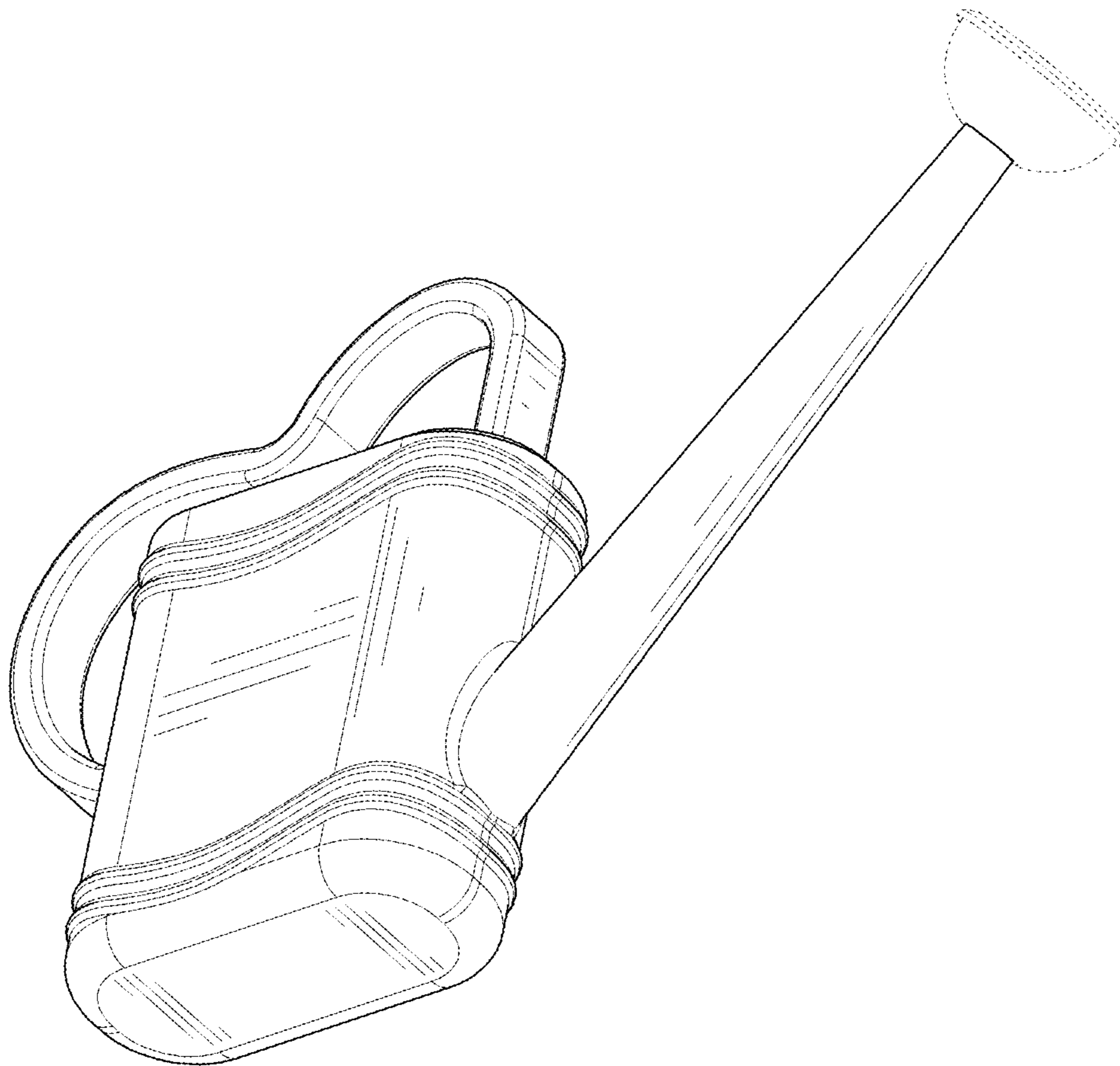


FIG. 2

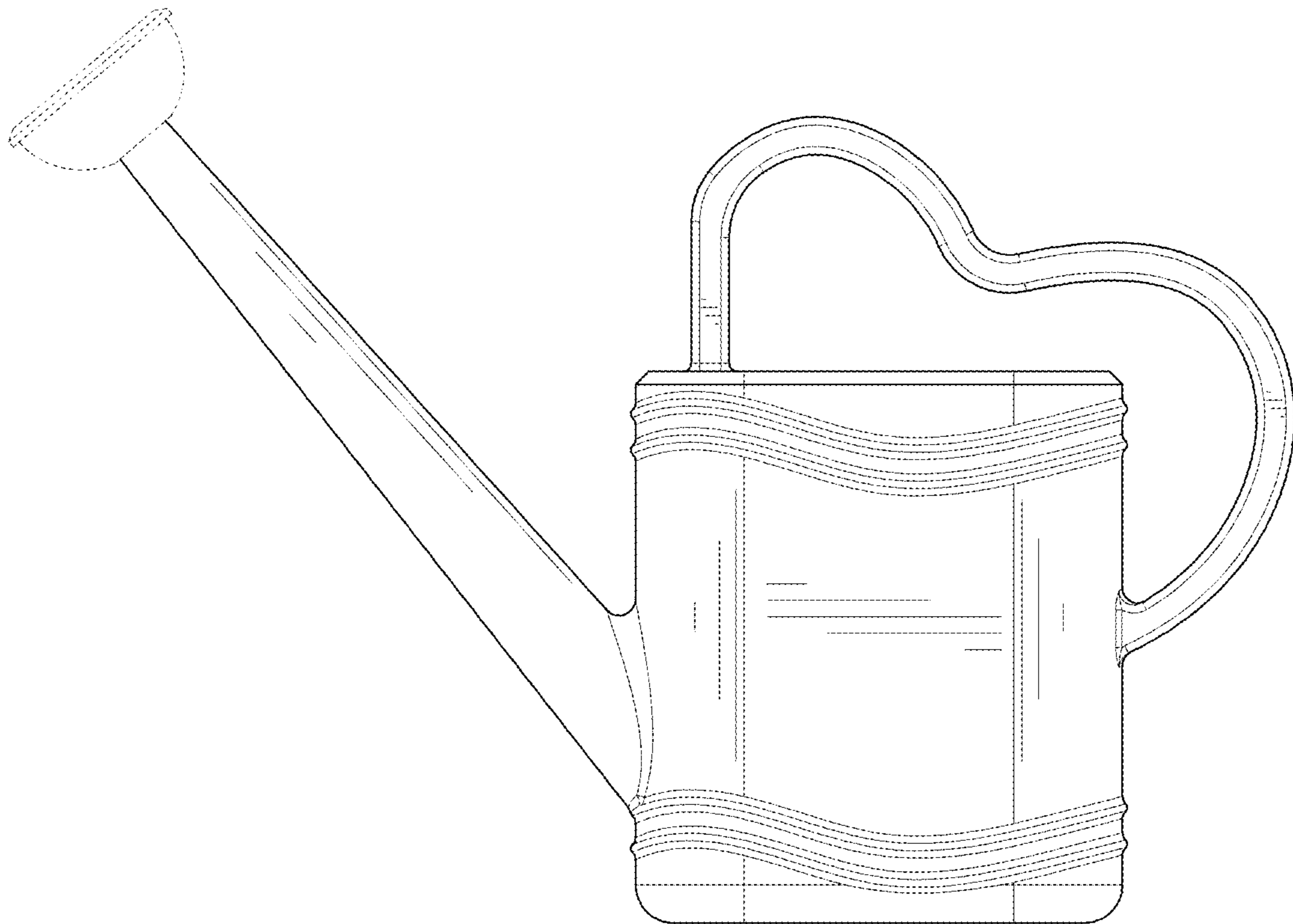


FIG. 3

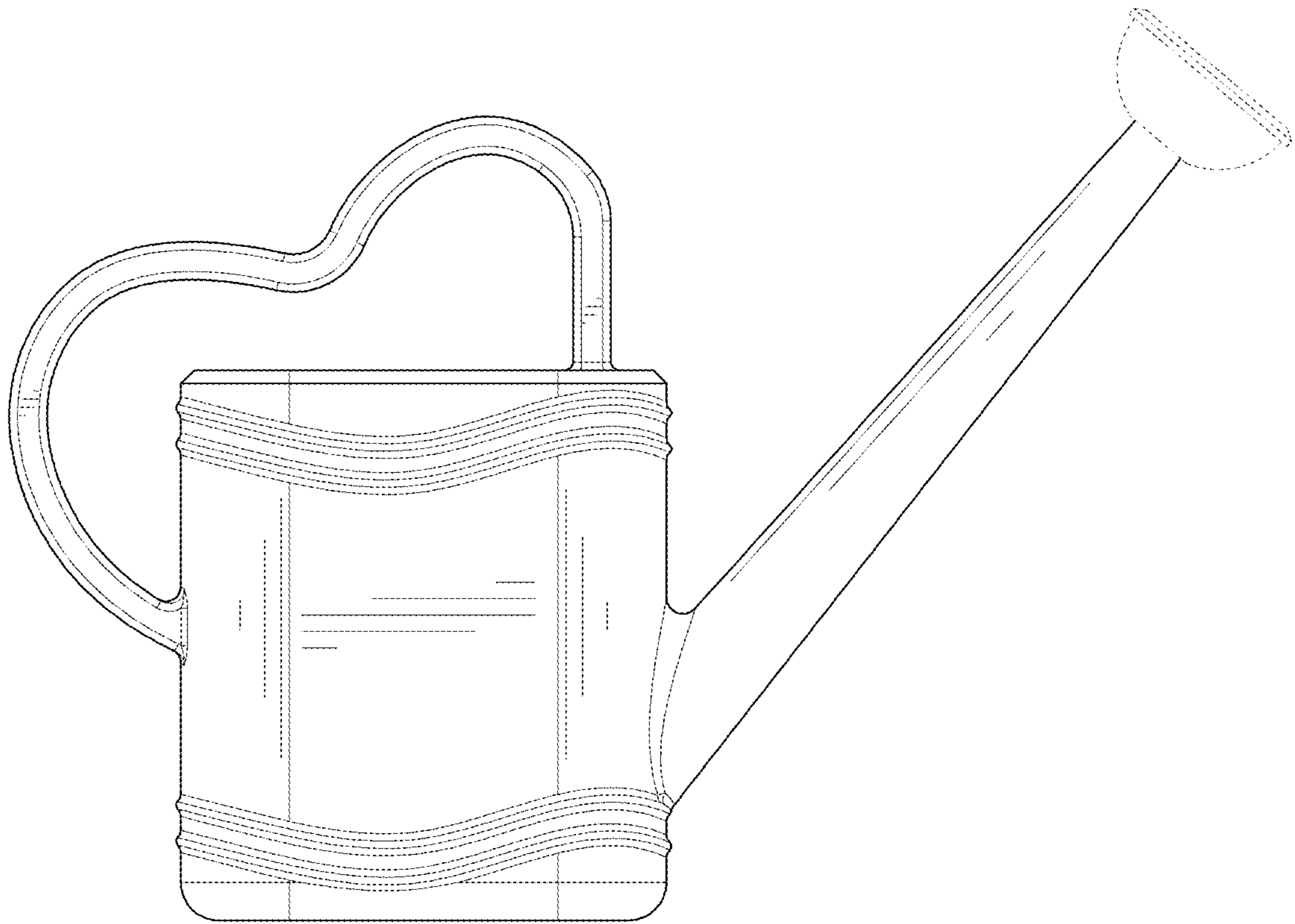


FIG. 4

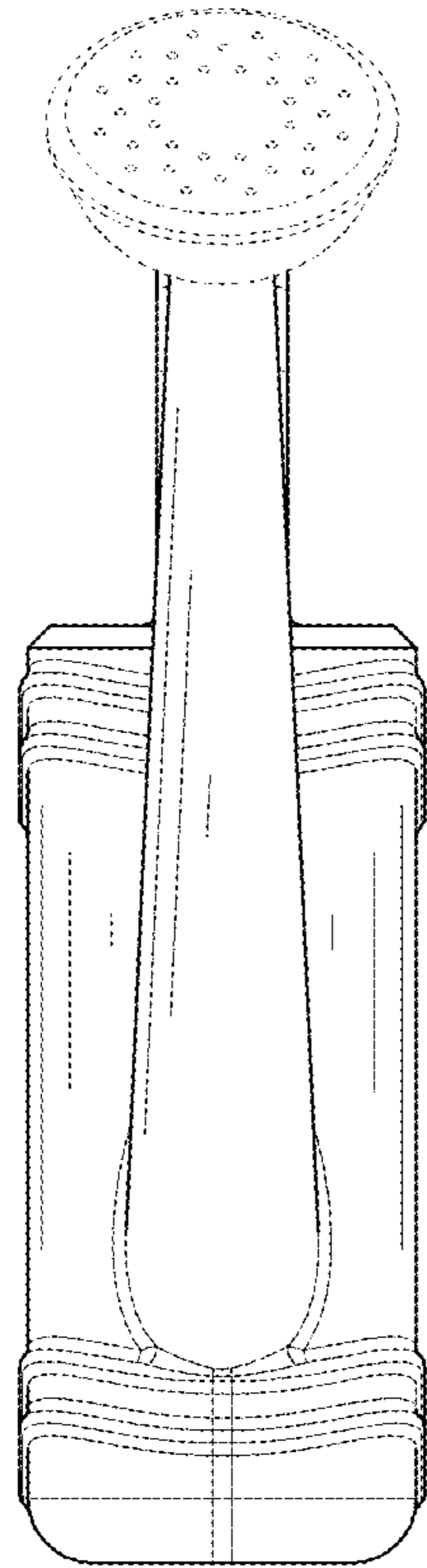


FIG. 5

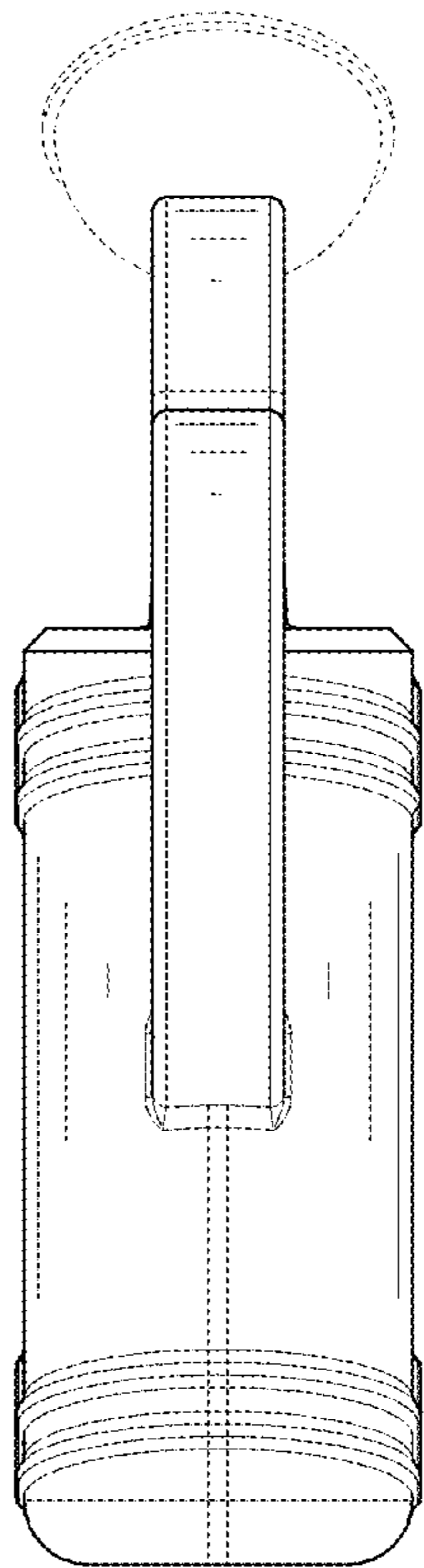


FIG. 6

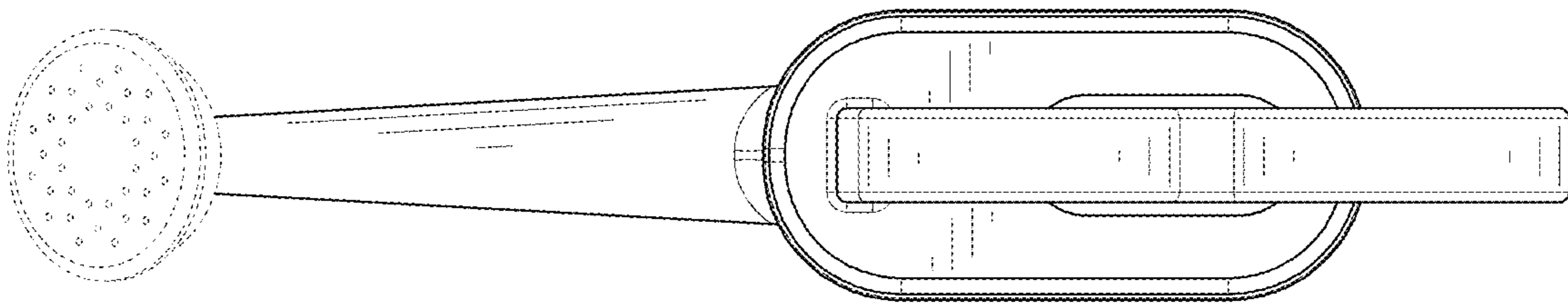


FIG. 7

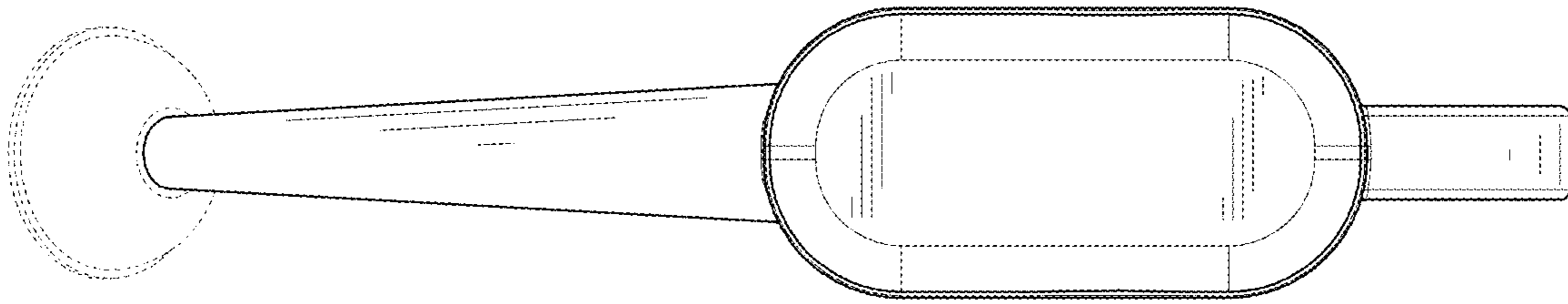


FIG. 8