



US00D980385S

(12) **United States Design Patent**
Huang

(10) **Patent No.:** **US D980,385 S**
(45) **Date of Patent:** **** Mar. 7, 2023**

- (54) **WATER FILTER**
- (71) Applicant: **Shilin Huang**, Shenzhen (CN)
- (72) Inventor: **Shilin Huang**, Shenzhen (CN)
- (**) Term: **15 Years**
- (21) Appl. No.: **29/814,045**
- (22) Filed: **Nov. 3, 2021**
- (51) **LOC (14) Cl.** **23-01**
- (52) **U.S. Cl.**
USPC **D23/209**
- (58) **Field of Classification Search**
USPC D23/207, 208, 209, 355, 362, 363, 364,
D23/365, 366; D7/306, 307, 311, 312
CPC B01D 27/00; B01D 27/08; B01D 35/306;
B01D 35/34; B01D 61/08; B01D 61/081;
B01D 2201/29; B01D 2201/291; B01D
2201/4015; B01D 2221/02; C02F 1/003;
C02F 9/005; C02F 2307/10; E04H
4/1209; E04H 4/1263; E04H 4/1281
See application file for complete search history.

(56) **References Cited**

U.S. PATENT DOCUMENTS

4,630,634	A *	12/1986	Sasaki	C02F 1/688
					D23/207
D354,796	S *	1/1995	Smith, Sr.	D23/209
D374,476	S *	10/1996	Page	D23/209
D385,946	S *	11/1997	Harrison	D23/209
5,779,913	A *	7/1998	Denkewicz, Jr.	C02F 1/505
					210/764
D404,113	S *	1/1999	Denkewicz, Jr.	D23/209
D405,867	S *	2/1999	Denkewicz, Jr.	D23/209
D406,314	S *	3/1999	Denkewicz, Jr.	D23/209
D411,282	S *	6/1999	King	D23/209
D422,678	S *	4/2000	King	D23/209
D513,314	S *	12/2005	Iddings	D23/365
D596,703	S *	7/2009	McKinney	D23/209
7,922,982	B1 *	4/2011	Brennan	B01F 21/22
					210/242.1
D673,242	S	12/2012	Rowe		
D685,450	S *	7/2013	Patera	D23/209
D815,714	S *	4/2018	Bell	D23/209

D846,069 S 4/2019 Zou
(Continued)

OTHER PUBLICATIONS

Jacuzzi ProClear Mineral Spa Sanitizer, Aug. 7, 2014, Amazon, site visited Sep. 21, 2022: <https://www.amazon.ca/dp/B004IO8V2S/> (Year: 2014).*
(Continued)

Primary Examiner — Jack Reickel
Assistant Examiner — Bobby W Jones, II

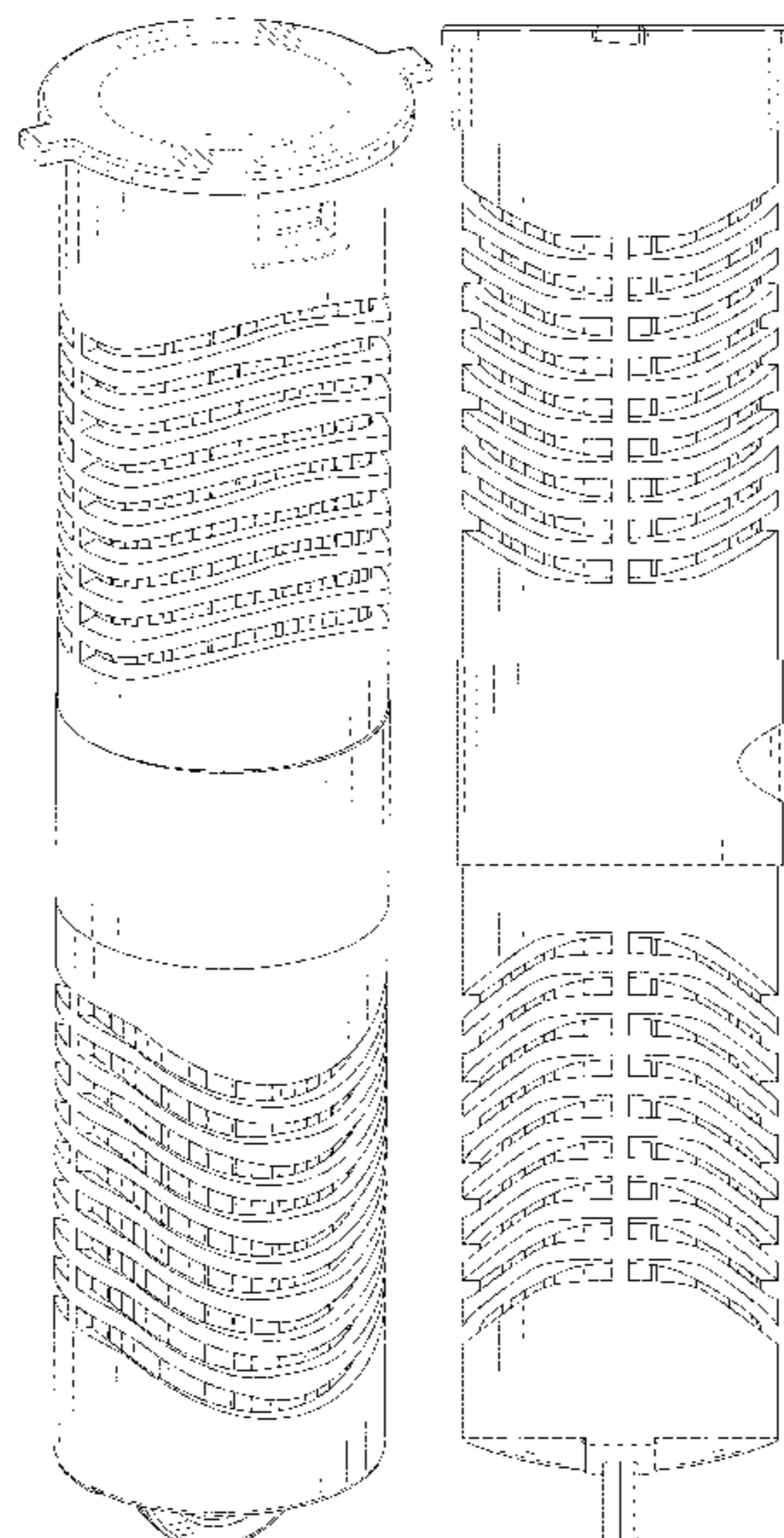
(57) **CLAIM**

The ornamental design for a water filter, as shown and described.

DESCRIPTION

FIG. 1 is a perspective view of a water filter showing my new design;
FIG. 2 is another perspective view thereof;
FIG. 3 is a front elevational view thereof;
FIG. 4 is a rear elevational view thereof;
FIG. 5 is a left side elevational view thereof;
FIG. 6 is a right side elevational view thereof;
FIG. 7 is a top plan view thereof;
FIG. 8 is a bottom plan view thereof;
FIG. 9 is an exploded perspective view thereof;
FIG. 10 is a perspective view of the water filter where the water filter is in a configuration of use;
FIG. 11 another perspective view of the water filter where the water filter is in the configuration of use; and,
FIG. 12 is an enlarged view of portion 12 shown in FIG. 2. The broken lines in FIGS. 10 and 11 showing a handle depict environment and form no part of the claimed design. The other broken lines in the drawings depict portions of the water filter that form no part of the claimed design.

1 Claim, 12 Drawing Sheets



(56)

References Cited

U.S. PATENT DOCUMENTS

10,507,419 B2 * 12/2019 Holzmann B01D 46/71
D888,194 S * 6/2020 Cordova D23/209
11,097,957 B2 * 8/2021 Cordova C02F 1/283
D930,786 S * 9/2021 Huang D23/207
11,179,660 B2 * 11/2021 Hales E04H 4/12
D944,917 S * 3/2022 Waggoner D23/209
2007/0193936 A1 * 8/2007 Almasian B01D 29/15
210/232
2012/0175293 A1 * 7/2012 Kuo B01D 35/027
210/236
2013/0334113 A1 * 12/2013 Erlich E04H 4/1263
210/167.1
2014/0102966 A1 * 4/2014 Harder B01D 35/147
29/890.121
2017/0326482 A1 * 11/2017 Prchal B01D 35/00
2018/0264382 A1 * 9/2018 Dani B01D 27/08
2019/0168141 A1 * 6/2019 Yoshimura B01D 35/30
2019/0269266 A1 * 9/2019 Huang C02F 1/283
2020/0238204 A1 * 7/2020 Hess C02F 1/001
2021/0154621 A1 * 5/2021 Wang B01D 61/147

OTHER PUBLICATIONS

AquaBliss SF100 Shower Filter, May 20, 2020, Amazon, site visited
Sep. 21, 2022: <https://www.amazon.com/dp/B01MUBU0YC/> (Year:
2020).*

HotSpring Freshwater Silver Ion Cartridge, Aug. 14, 2013, Amazon,
site visited Sep. 21, 2022: [https://www.amazon.co.uk/dp/
B00EKHKY9G/](https://www.amazon.co.uk/dp/B00EKHKY9G/) (Year: 2013).*

* cited by examiner

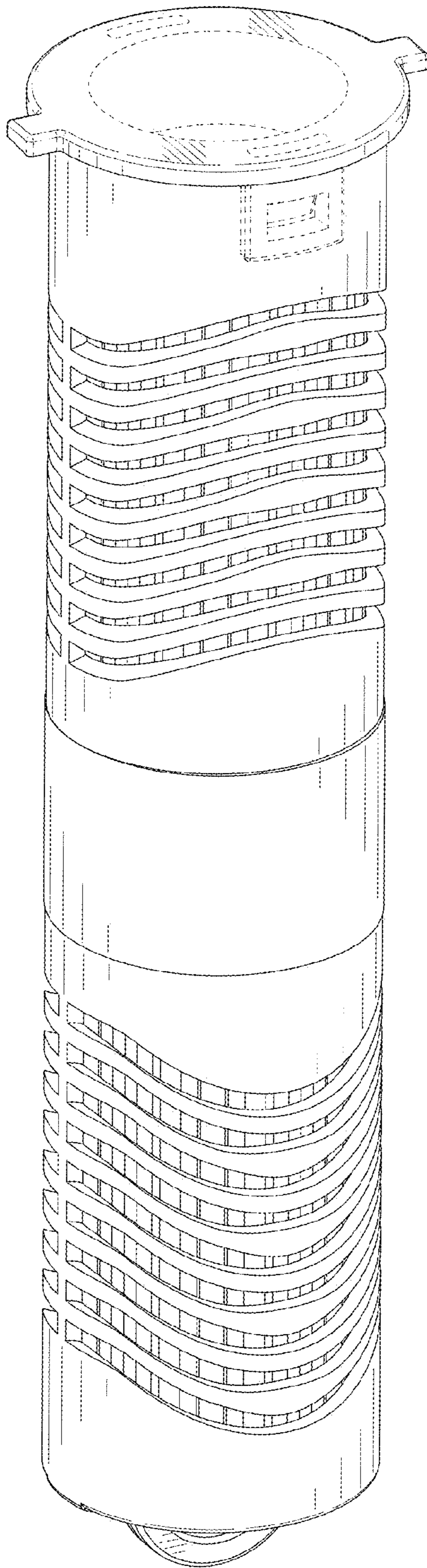


FIG. 1

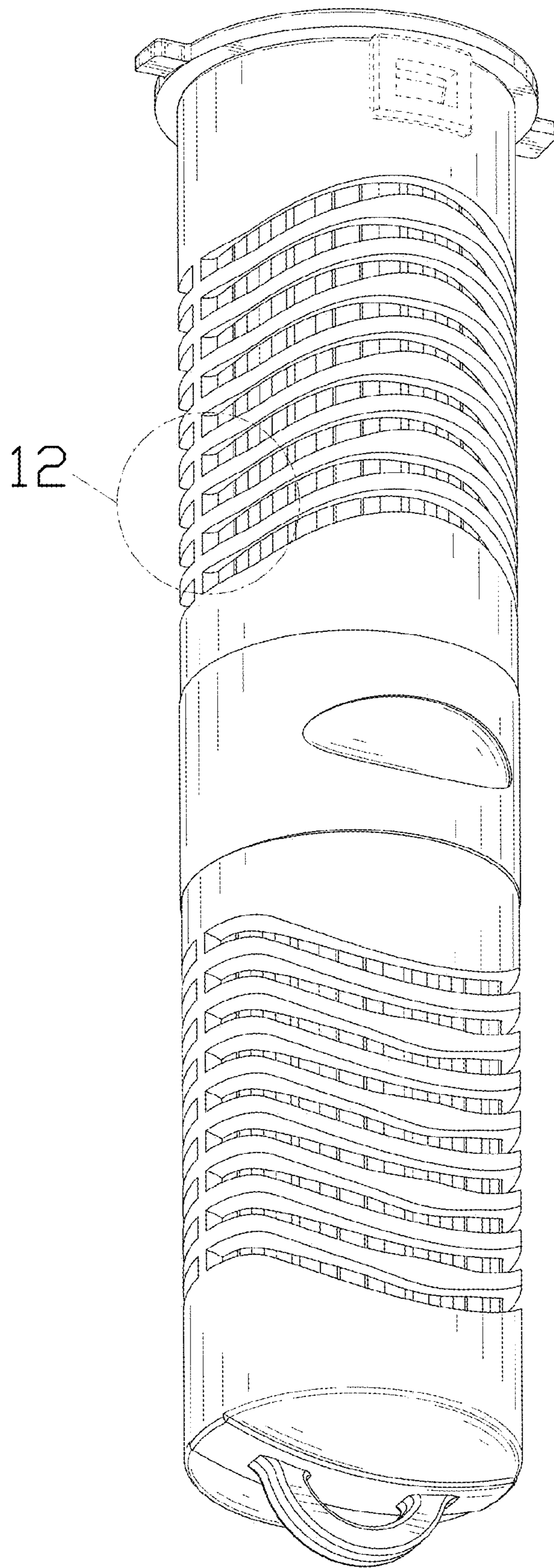


FIG. 2

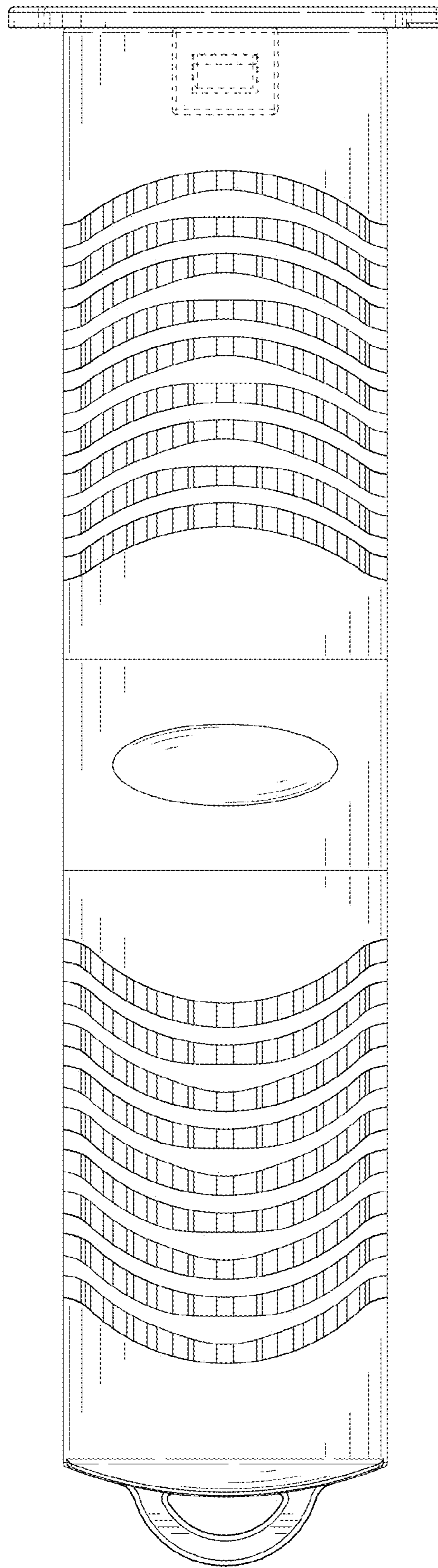


FIG. 3

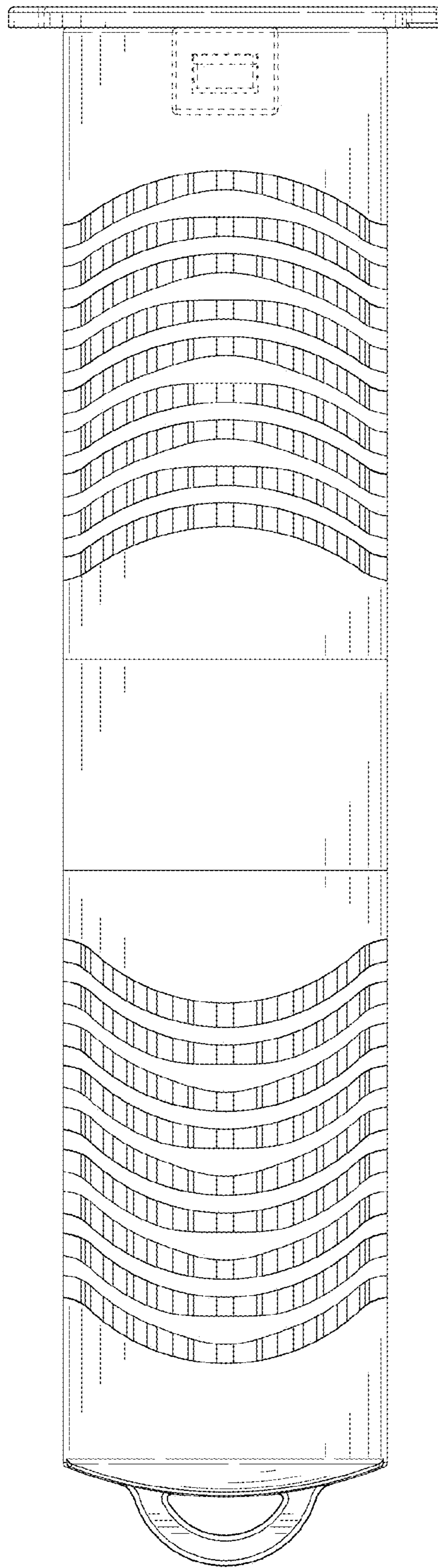


FIG. 4

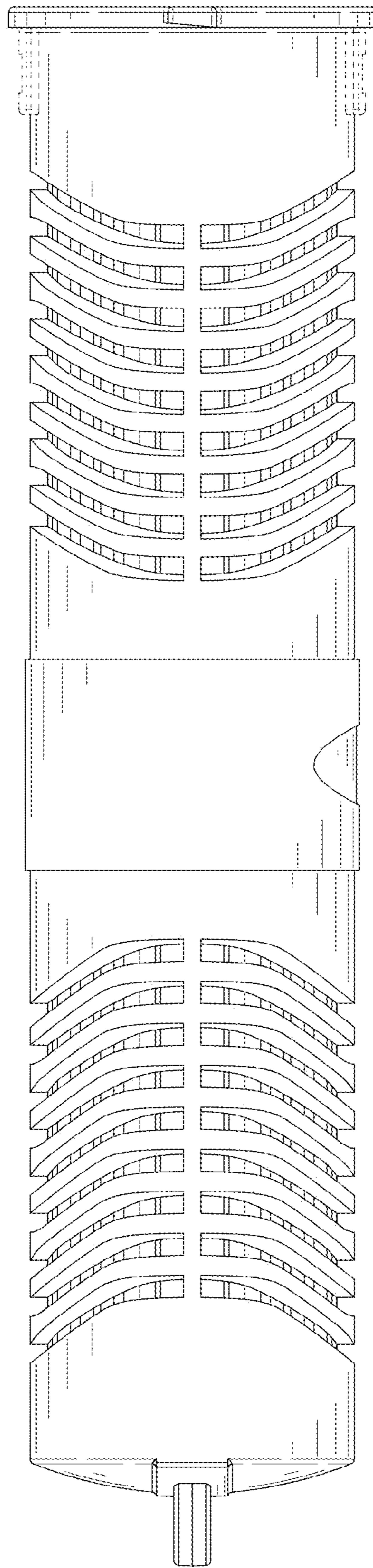


FIG. 5

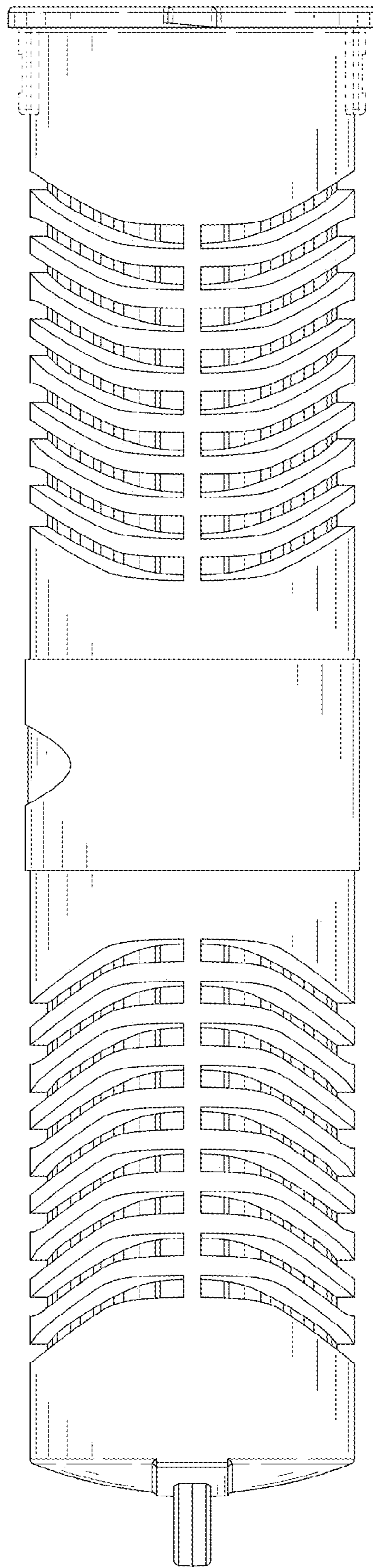


FIG. 6

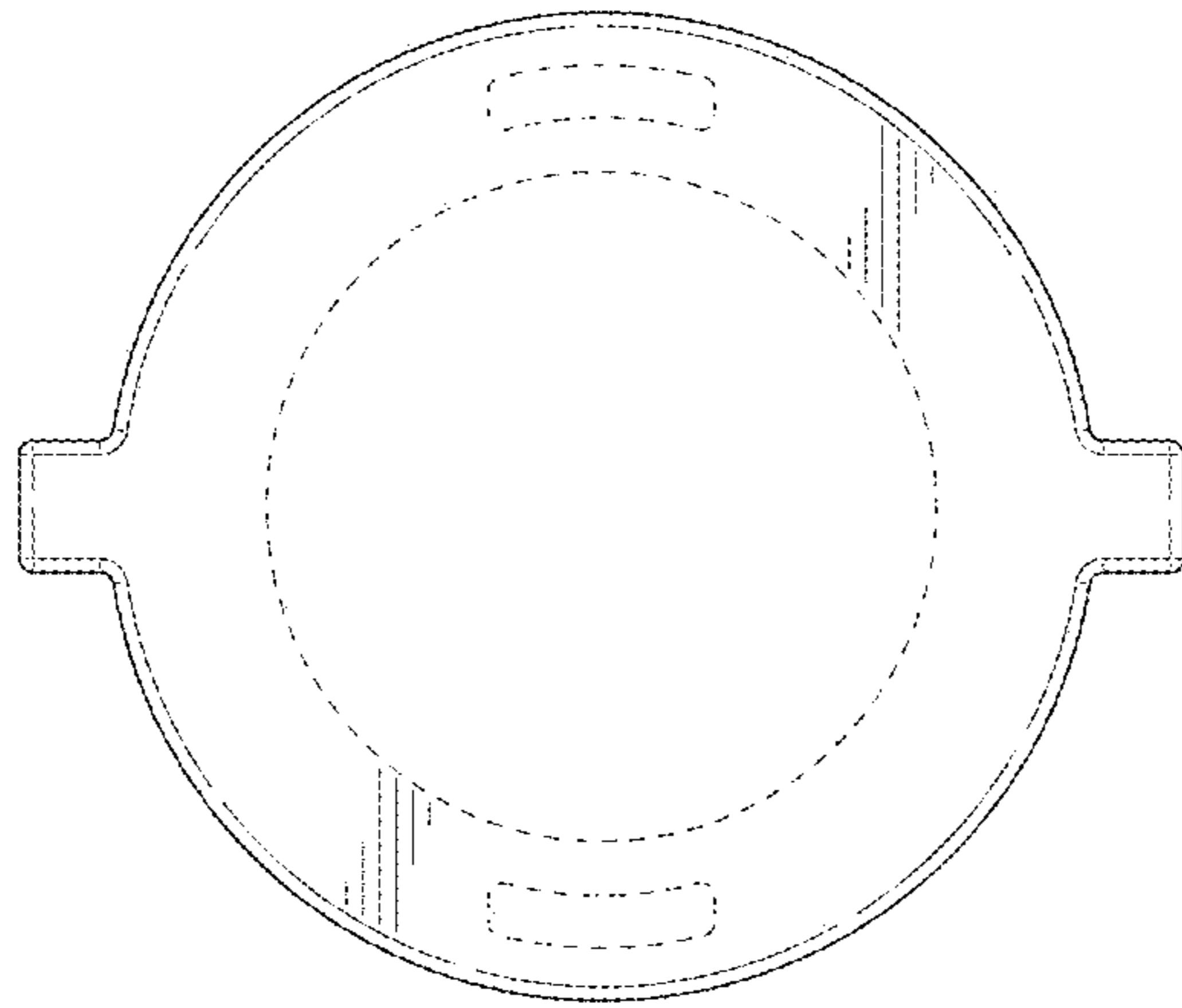


FIG. 7

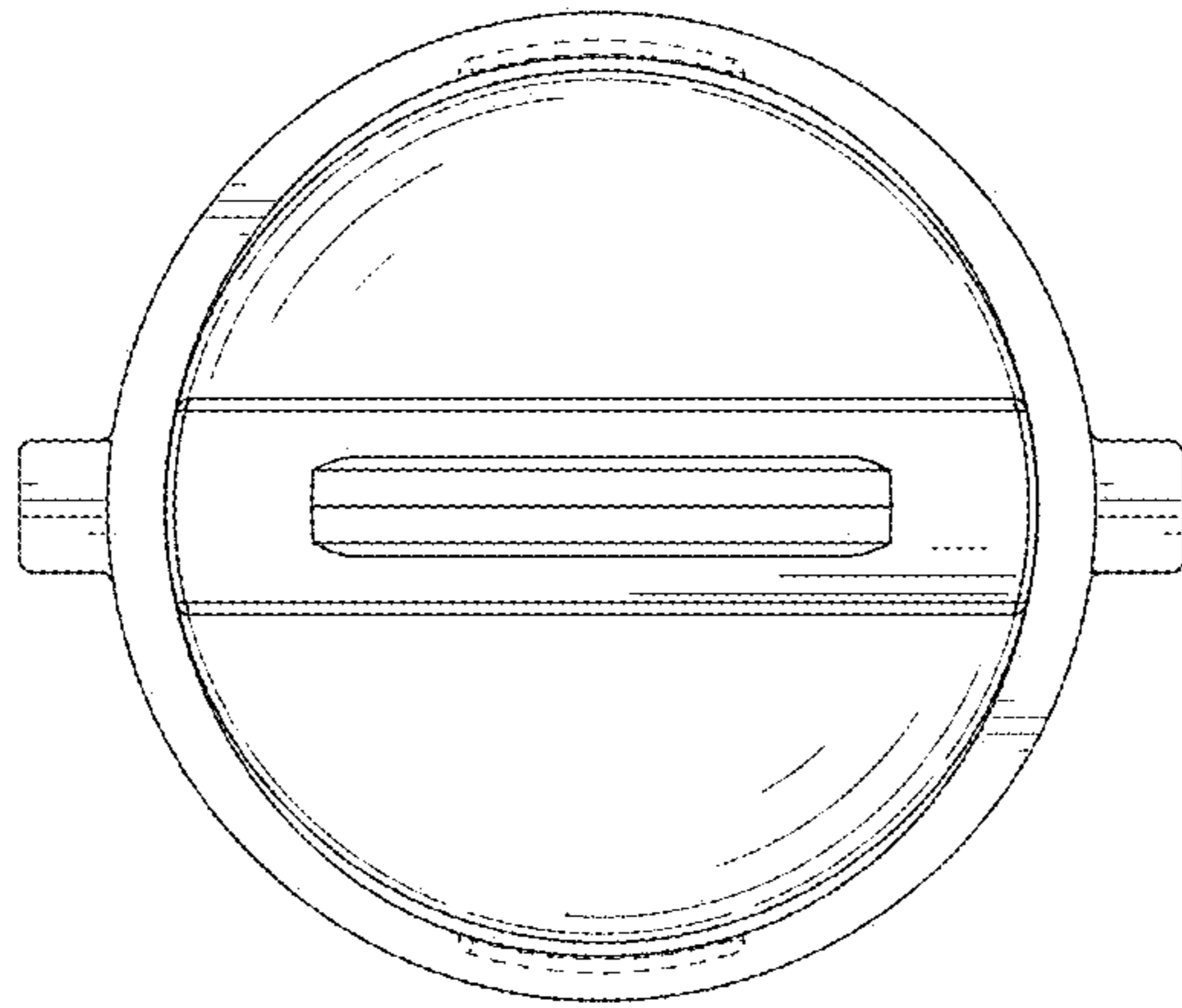


FIG. 8

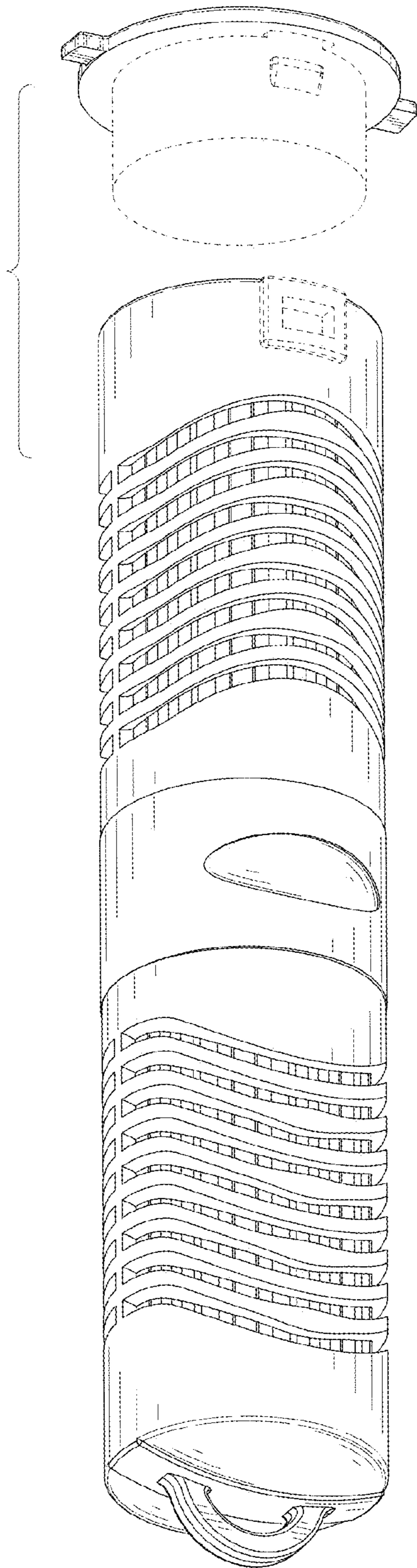


FIG. 9

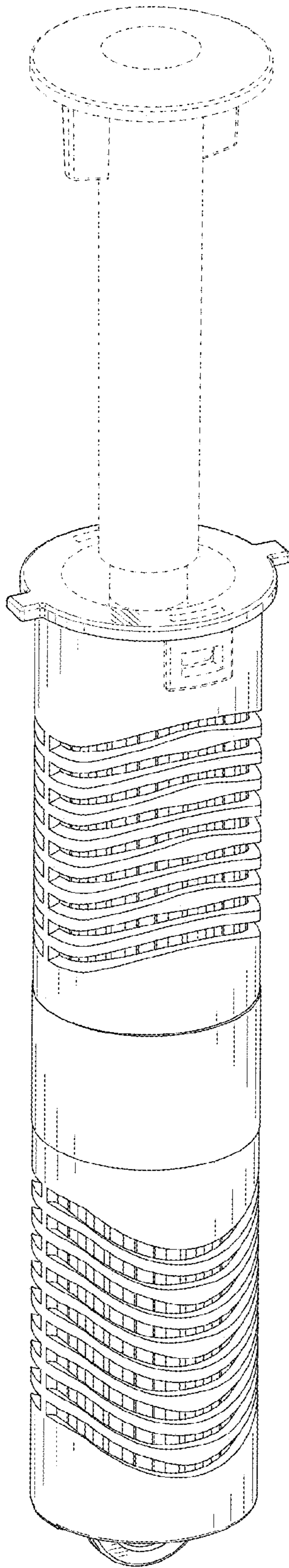


FIG. 10

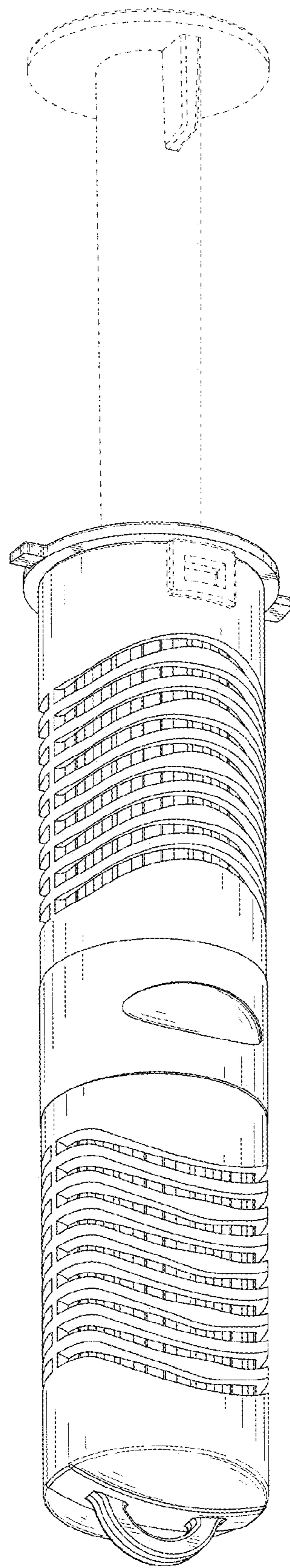


FIG. 11

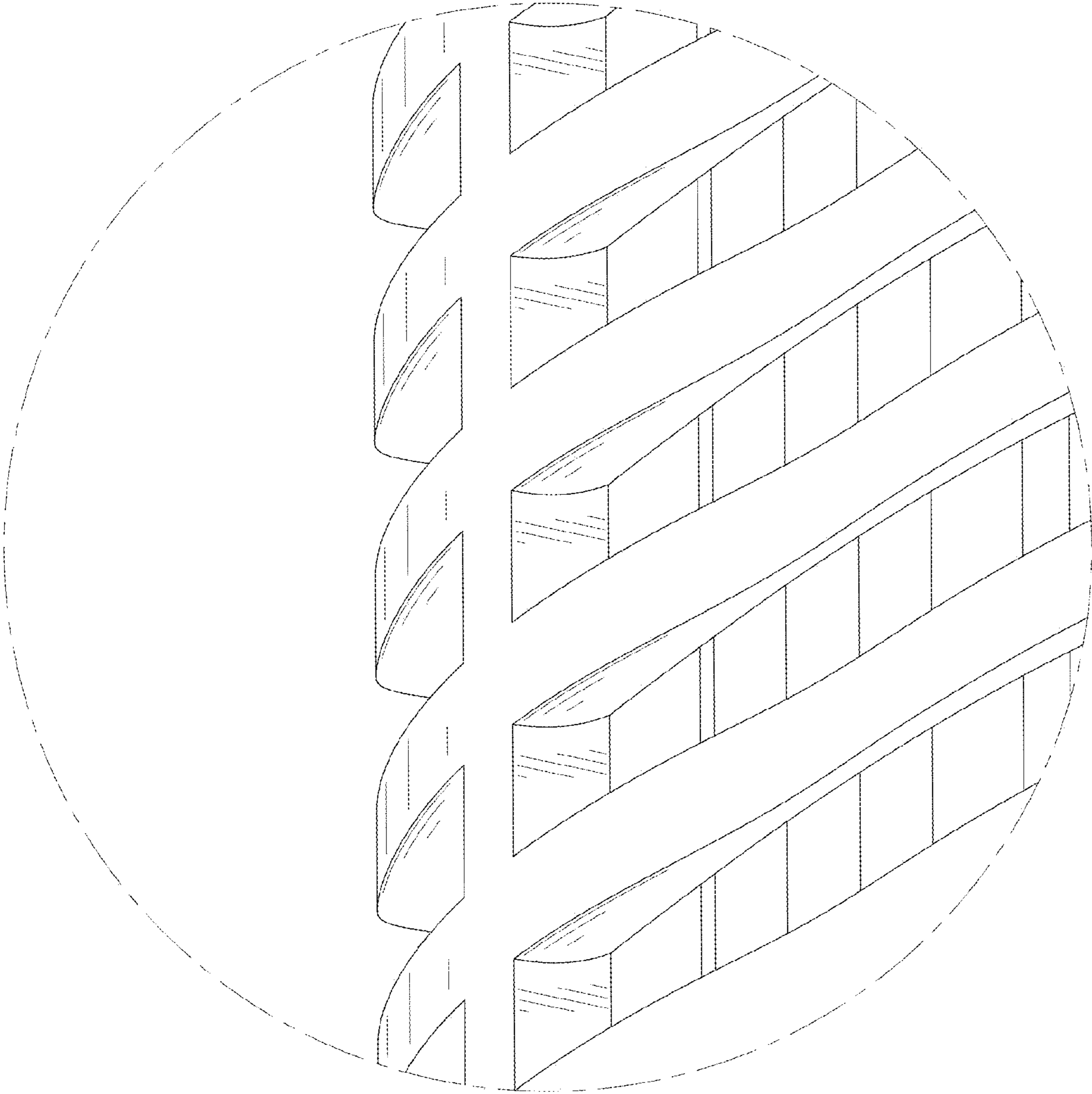


FIG. 12