



US00D980384S

(12) **United States Design Patent** (10) **Patent No.:** **US D980,384 S**  
**Bremberry** (45) **Date of Patent:** **\*\* Mar. 7, 2023**

(54) **OIL FILTER WITH AN INTEGRAL RATCHET SOCKET**

(71) Applicant: **Orlando T. Bremberry**, Houston, TX (US)

(72) Inventor: **Orlando T. Bremberry**, Houston, TX (US)

(\*\*) Term: **15 Years**

(21) Appl. No.: **29/741,875**

(22) Filed: **Jul. 16, 2020**

(51) **LOC (14) Cl.** ..... **23-01**

(52) **U.S. Cl.**  
USPC ..... **D23/209**

(58) **Field of Classification Search**  
USPC ..... D7/300.1, 313; D14/228; D15/7; D23/200, 207-209, 213, 223, 233, 235, D23/259-269, 364-366; D24/108, 112, D24/129

CPC . F17C 1/00; F17C 5/06; A61M 11/02; A61M 11/041; A61L 9/00; A61L 9/03; A61L 9/12; A61L 9/122; A61L 2209/11; A61L 2209/14; A61L 2209/133; Y10S 261/17; Y10S 261/88; Y10S 261/89; B01D 27/08; B01D 35/02; B01D 35/30; B01D 35/005; B01D 2201/302; B01D 46/10; B01D 46/2411; B01D 46/0004; B01D 46/0005; B01D 63/103; C02F 1/42; C02F 1/003

See application file for complete search history.

(56) **References Cited**

U.S. PATENT DOCUMENTS

D147,737 S 10/1947 Stone  
D190,338 S \* 5/1961 Gruner ..... D23/209  
D199,918 S \* 12/1964 Vander Pyl ..... D23/209

3,265,213 A \* 8/1966 Decker ..... B01D 27/08 210/457  
3,473,666 A \* 10/1969 Humbert, Jr. .... B01D 27/08 210/232  
4,114,481 A 9/1978 Kowalczyk  
D309,974 S \* 8/1990 Tannous ..... D23/209  
4,982,629 A 1/1991 Germain  
5,214,985 A 6/1993 Rinehart  
D352,990 S 11/1994 Sparks et al.  
5,744,032 A 4/1998 Kemper  
5,845,552 A 12/1998 Plascik  
6,375,840 B1 \* 4/2002 Hunter ..... B01D 27/08 210/DIG. 17  
D518,555 S \* 4/2006 De Muro, Jr. .... D23/209  
D728,069 S \* 4/2015 Moore ..... D23/209  
D772,662 S 11/2016 Klamm

(Continued)

*Primary Examiner* — Angela J Lee  
*Assistant Examiner* — David OBrien  
(74) *Attorney, Agent, or Firm* — Suzanne Kikel

(57) **CLAIM**

The ornamental design for an oil filter with an integral ratchet socket, as shown and described.

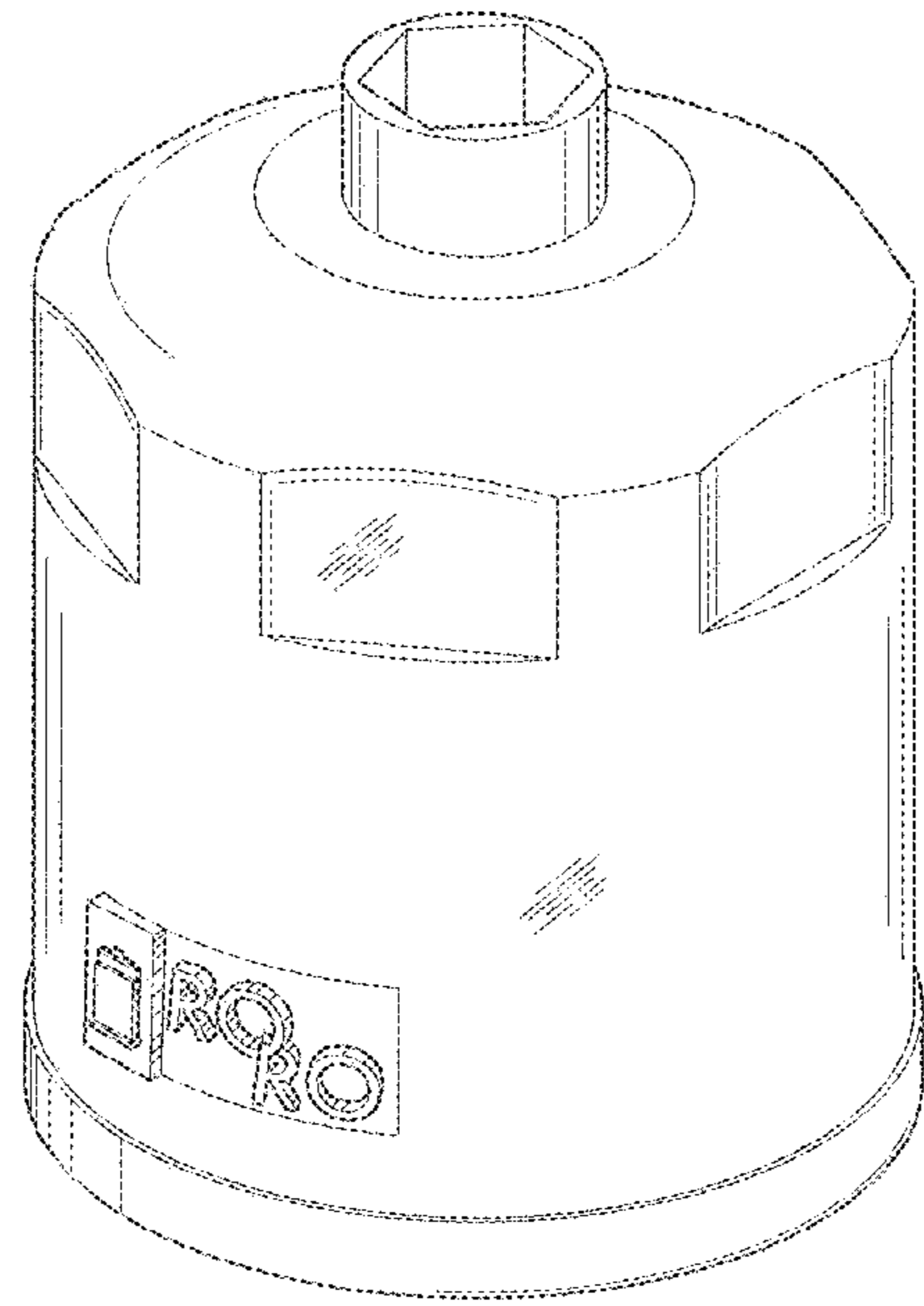
**DESCRIPTION**

FIG. 1 is a perspective view of an oil filter with an integral ratchet socket, showing my new design;  
FIG. 2 is a front view thereof;  
FIG. 3 is a rear view thereof;  
FIG. 4 is a left side view thereof;  
FIG. 5 is a right side view thereof;  
FIG. 6 is a bottom view thereof; and,  
FIG. 7 is a top view thereof.

The broken lines shown in the figures are for the purpose of illustrating portions of an oil filter with an integral ratchet socket and form no part of the claimed design.

The RORO trademark forming part of the claimed design is a non-registered trademark and is owned by the inventor.

**1 Claim, 7 Drawing Sheets**



(56)

**References Cited**

U.S. PATENT DOCUMENTS

D784,099 S     4/2017 Mitchell  
D831,428 S     10/2018 Gibson

\* cited by examiner

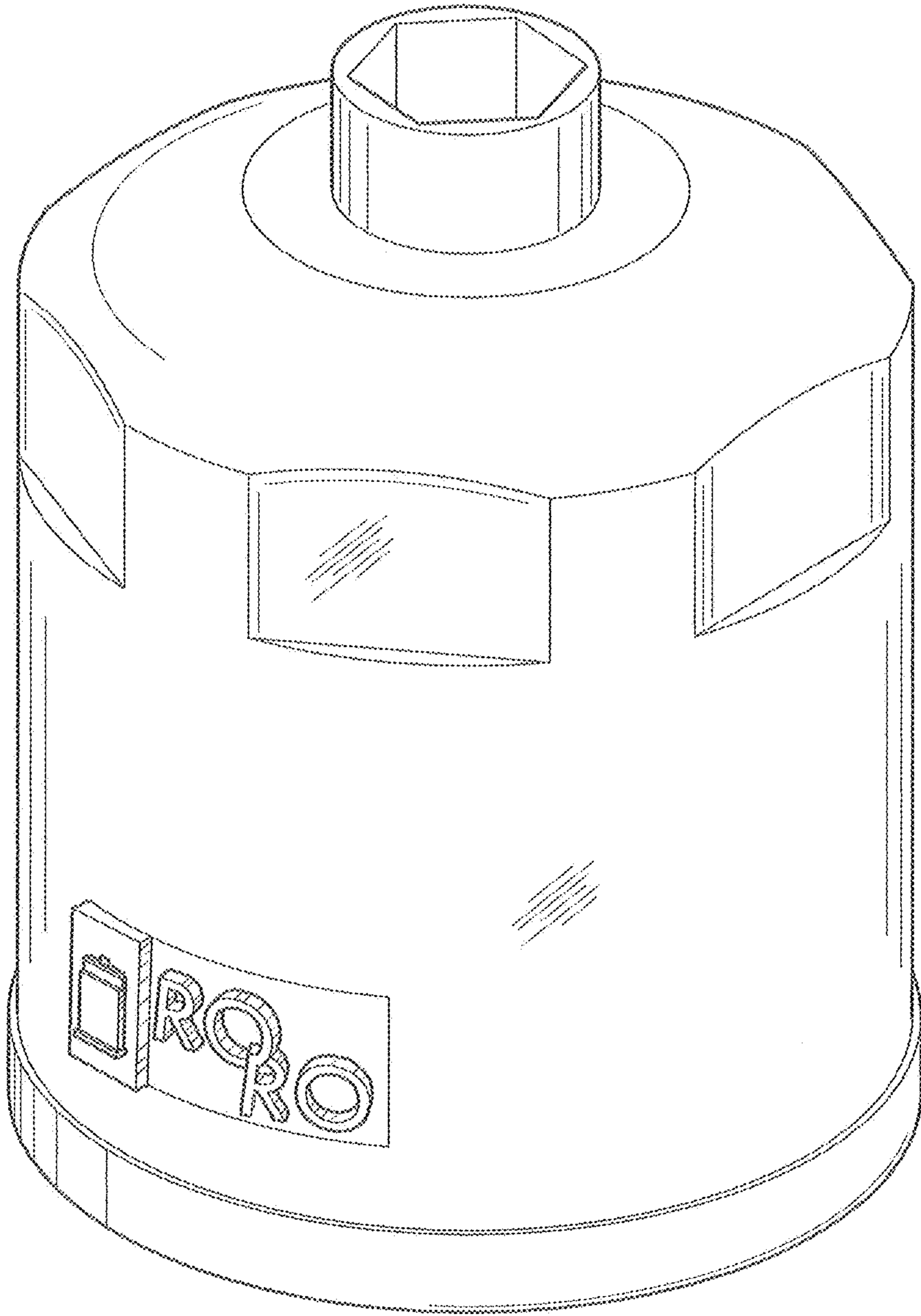


FIG. 1

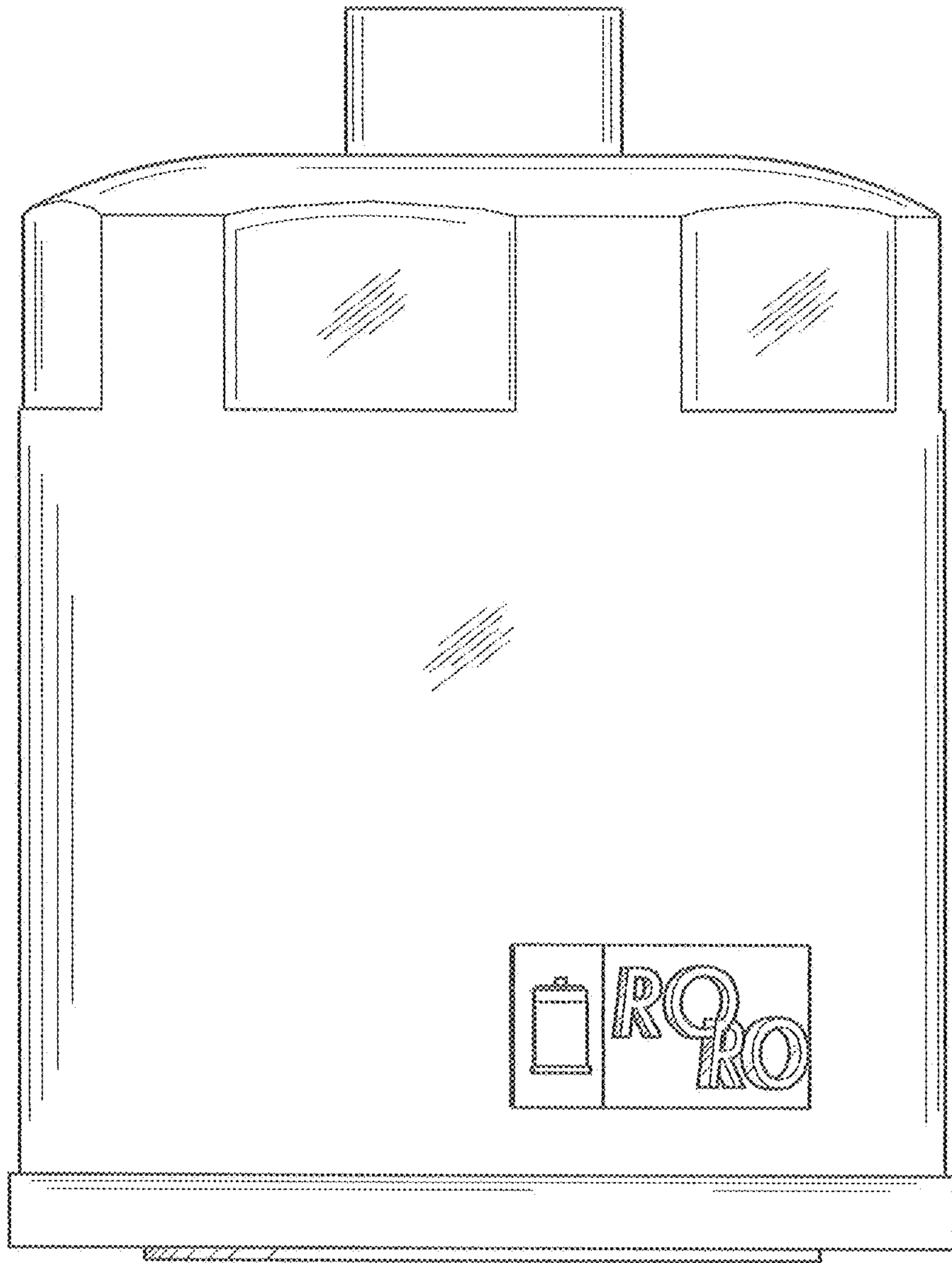


FIG. 2

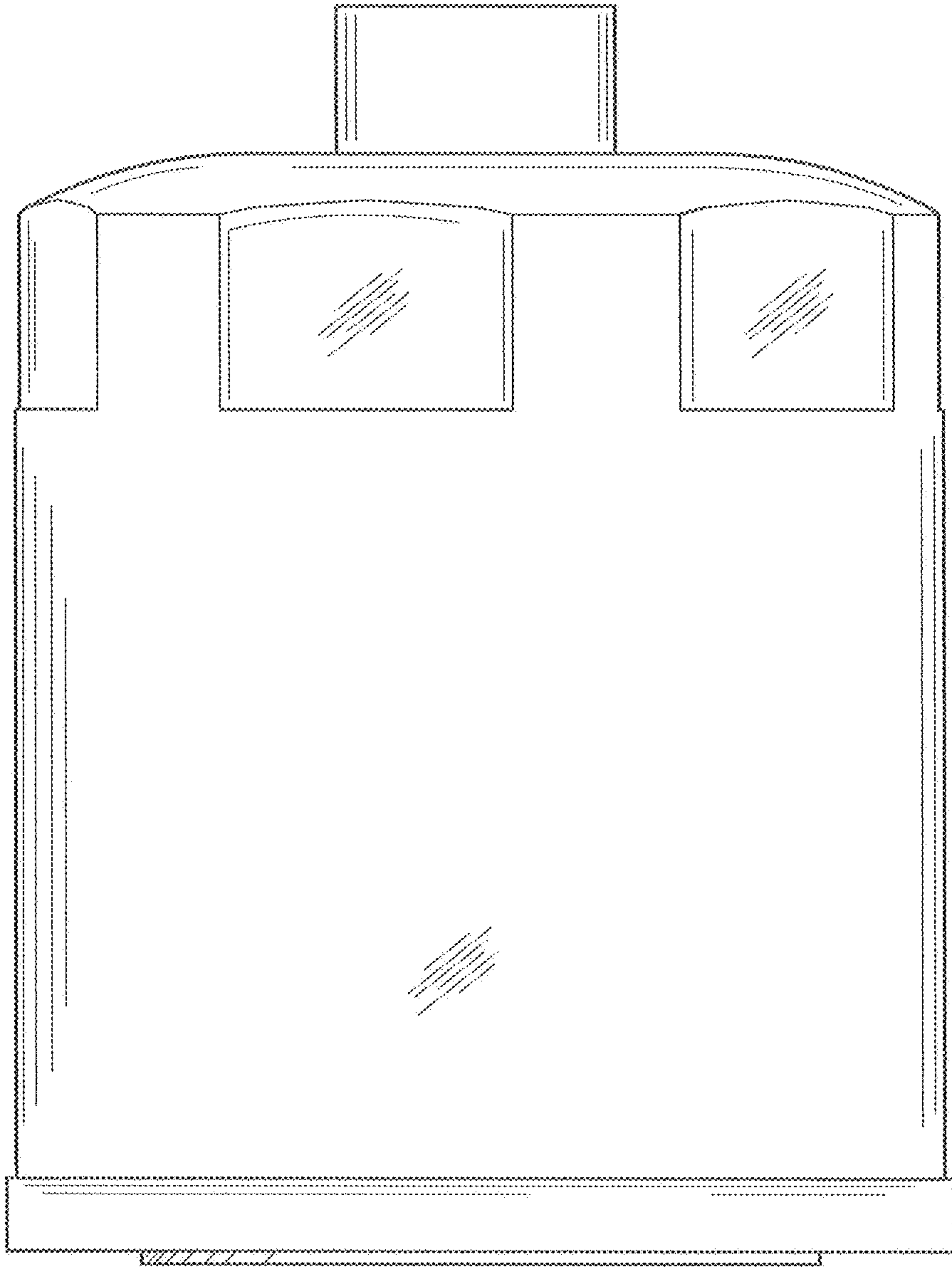


FIG. 3



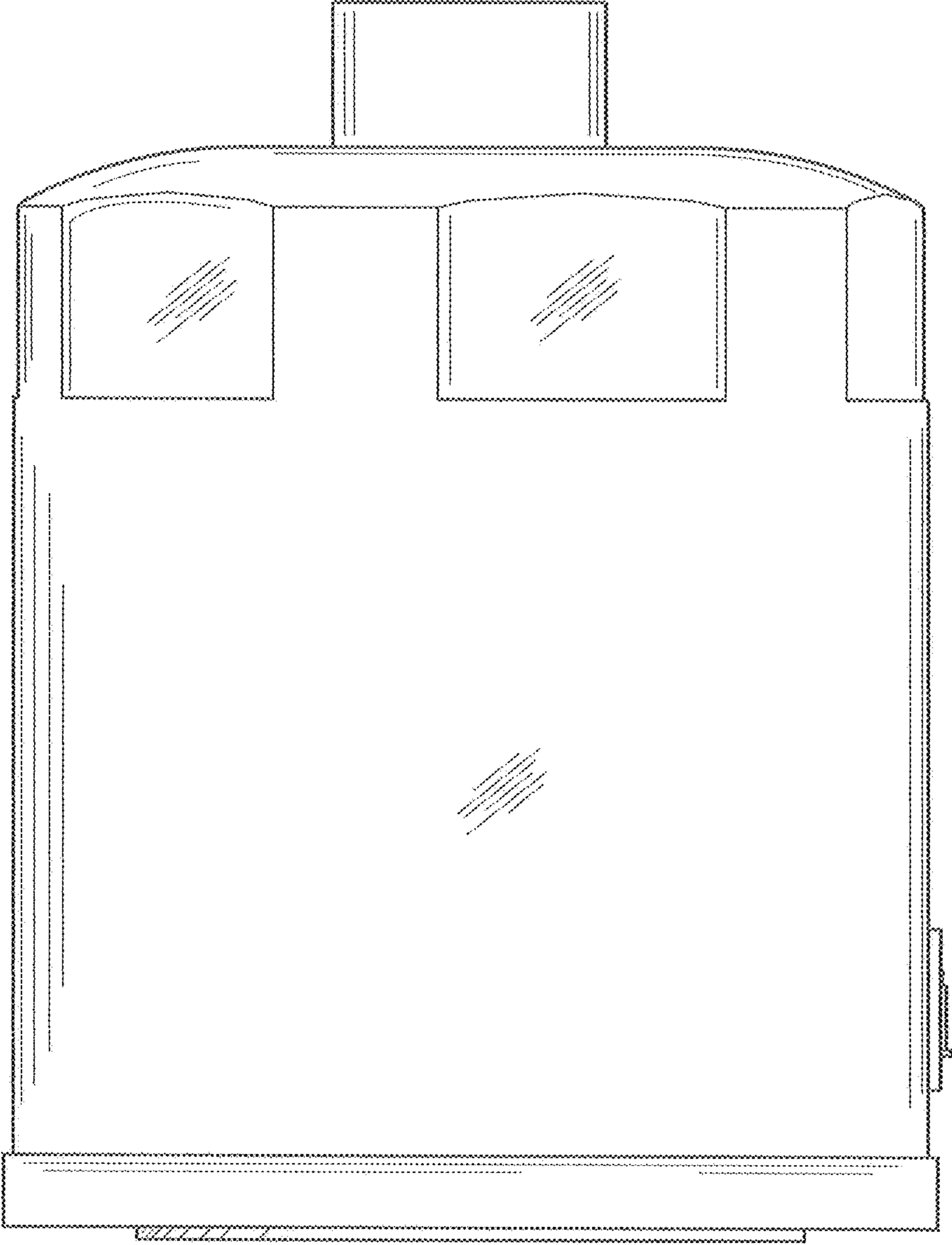


FIG. 4

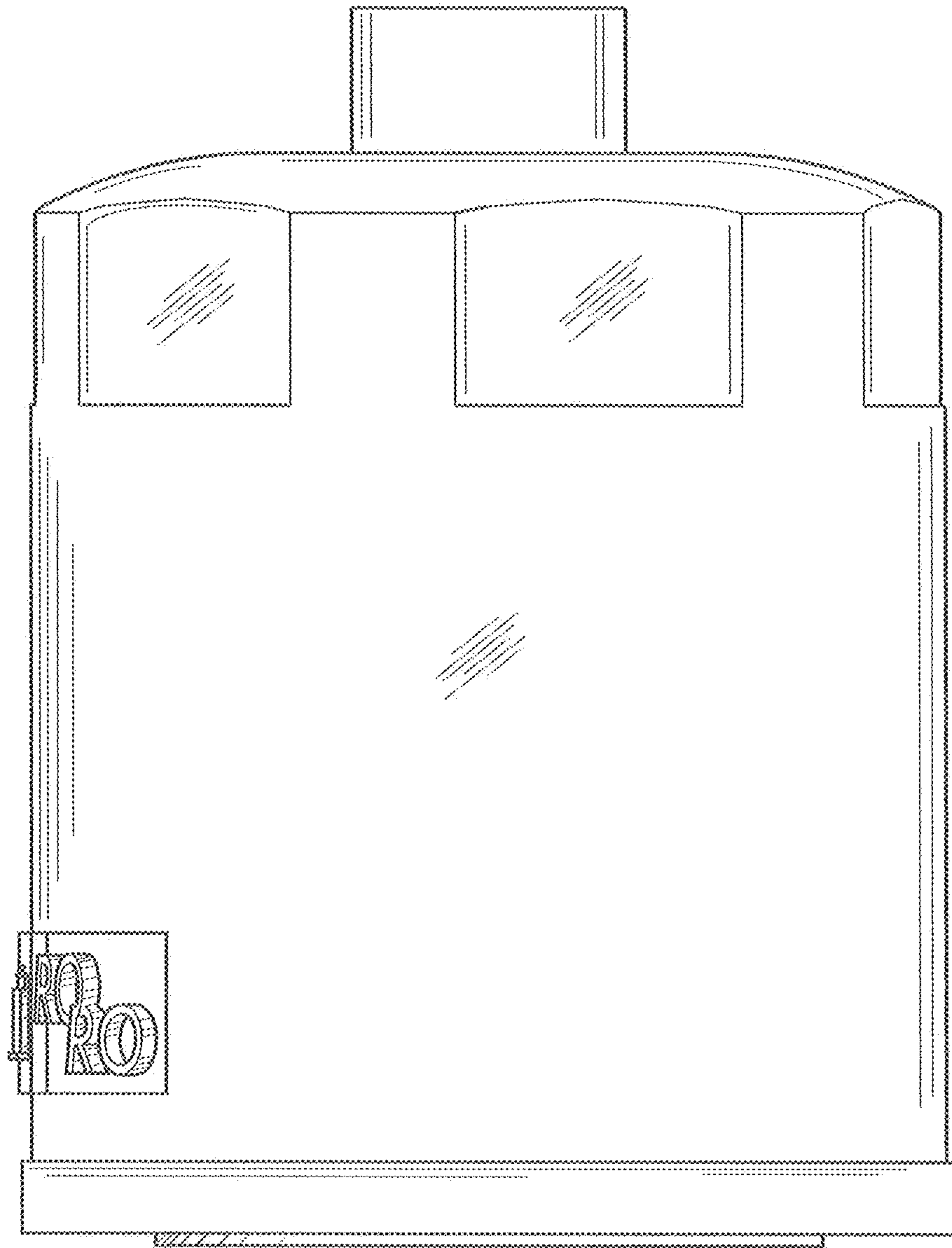


FIG. 5

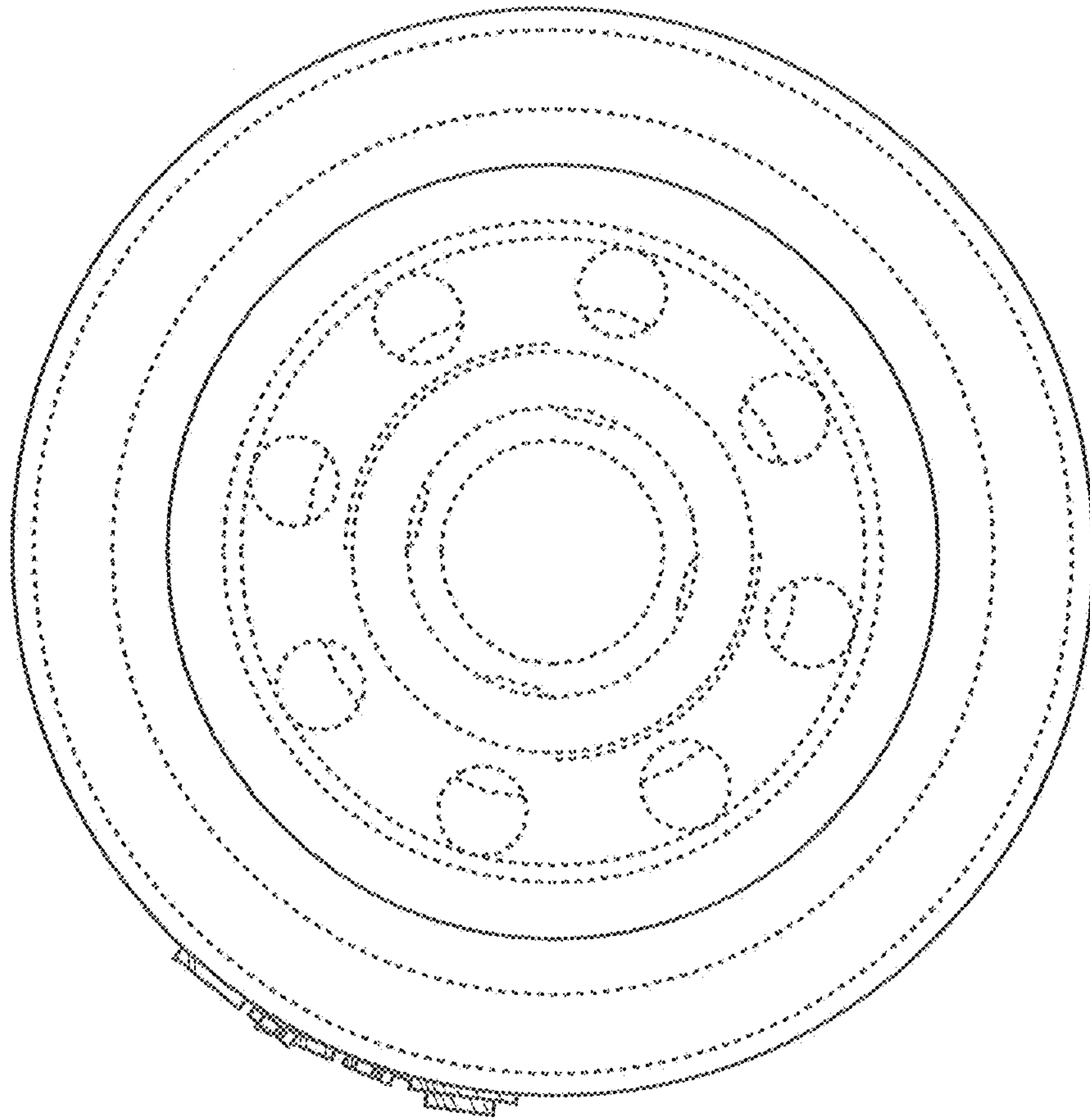


FIG. 6



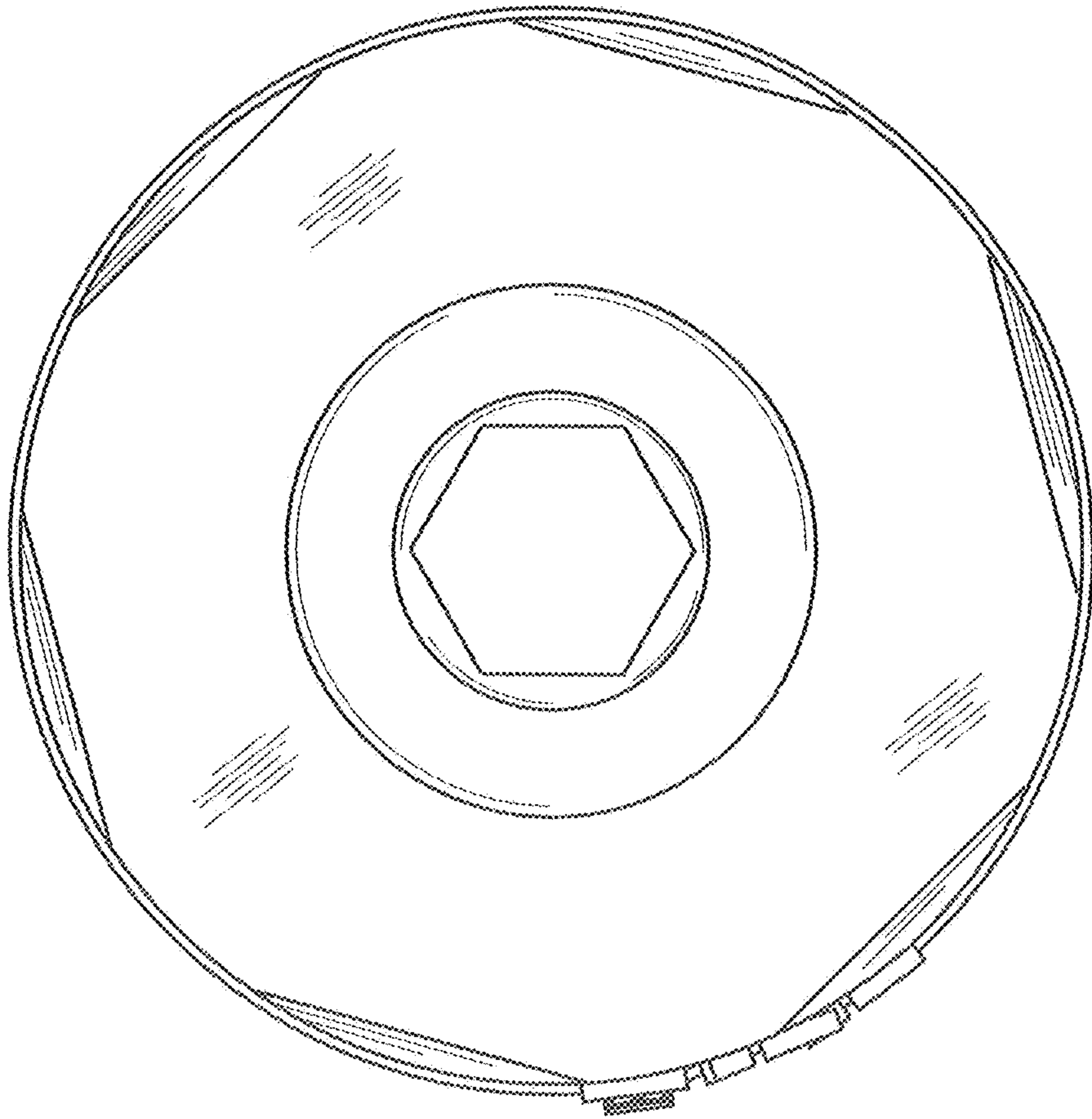


FIG. 7