



US00D980383S

(12) **United States Design Patent**
Tanaka

(10) **Patent No.:** **US D980,383 S**
(45) **Date of Patent:** **** Mar. 7, 2023**

(54) **FILTER**

(71) Applicant: **SMC CORPORATION**, Chiyoda-ku
(JP)

(72) Inventor: **Takayuki Tanaka**, Tsukuba (JP)

(73) Assignee: **SMC CORPORATION**, Chiyoda-ku
(JP)

(**) Term: **15 Years**

(21) Appl. No.: **29/738,535**

(22) Filed: **Jun. 18, 2020**

(30) **Foreign Application Priority Data**

Jan. 7, 2020 (JP) 2020-000144D

(51) **LOC (14) Cl.** **23-01**

(52) **U.S. Cl.**
USPC **D23/209**

(58) **Field of Classification Search**
USPC D23/207, 209, 210, 235, 355, 363, 365;
D24/162

CPC B01D 27/00; B01D 27/08; B01D 29/00;
B01D 2201/305; B01D 2221/309; C02F
2307/10

See application file for complete search history.

(56) **References Cited**

U.S. PATENT DOCUMENTS

D234,356 S *	2/1975	Holben	D23/209
D234,357 S *	2/1975	Humphrey	D23/209
D234,843 S *	4/1975	Taylor	D23/209
D236,263 S *	8/1975	Dussardier	D23/209
D236,264 S *	8/1975	Taylor	D23/209
D236,265 S *	8/1975	Dussardier	D23/209
D295,674 S *	5/1988	Ogasawara	D23/365
D301,914 S *	6/1989	Ogasawara	D23/209
D331,961 S *	12/1992	Ridolfi	D23/365
D355,954 S *	2/1995	Powell	D23/235

D659,814 S *	5/2012	Yamase	D23/365
D659,815 S *	5/2012	Yamase	D23/365
D659,816 S *	5/2012	Ito	D23/365
D662,196 S *	6/2012	Ito	D23/365
D662,197 S *	6/2012	Ito	D23/365
9,314,726 B2 *	4/2016	Yamase	B01D 46/0004

(Continued)

OTHER PUBLICATIONS

Exelair by Milton FRL Air Filter, Oct. 14, 2014, Amazon, site visited Feb. 24, 2022: <https://www.amazon.com/dp/B01MCTNS87/> (Year: 2014).*

(Continued)

Primary Examiner — Jack Reickel

Assistant Examiner — Bobby W Jones, II

(74) *Attorney, Agent, or Firm* — Oblon, McClelland,
Maier & Neustadt, L.L.P.

(57) **CLAIM**

The ornamental design for a filter, as shown and described.

DESCRIPTION

FIG. 1 is a front, top, and right side perspective view of a filter showing the new design;

FIG. 2 is a rear, bottom, and left side perspective view thereof;

FIG. 3 is a front elevational view thereof;

FIG. 4 is a rear elevational view thereof;

FIG. 5 is a top plan view thereof;

FIG. 6 is a bottom plan view thereof;

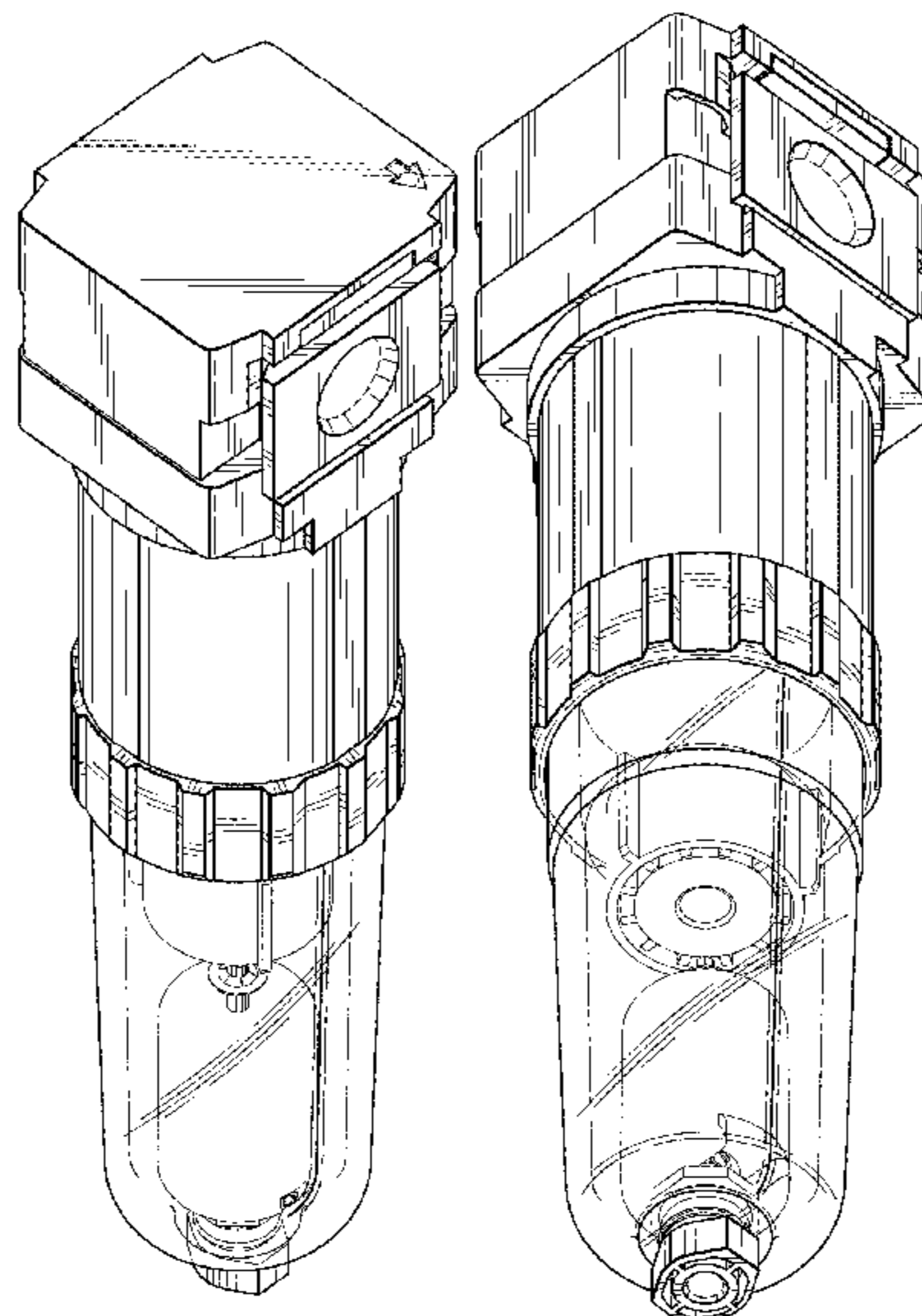
FIG. 7 is a left side elevational view thereof;

FIG. 8 is a right side elevational view thereof; and,

FIG. 9 is a cross-sectional view taken along line 9-9 in FIG. 3.

The broken lines shown in the figures are for the purpose of illustrating portions of the ionizer that form no part of the claimed design.

1 Claim, 8 Drawing Sheets



(56)

References Cited

U.S. PATENT DOCUMENTS

10,203,048	B2 *	2/2019	Matsushita	F16K 31/34
D844,107	S *	3/2019	Ito	D23/233
D844,108	S *	3/2019	Ito	D23/235
D850,579	S *	6/2019	Ito	D23/209
D851,213	S *	6/2019	Matsushita	D23/233
D853,526	S *	7/2019	Ito	D23/235
D854,126	S *	7/2019	Ito	D23/235
D888,886	S *	6/2020	Tanaka	D23/209
D890,297	S *	7/2020	Tanaka	D23/209
D892,975	S *	8/2020	Tanaka	D23/209
D893,674	S *	8/2020	Tanaka	D23/209
D894,330	S *	8/2020	Tanaka	D23/209
D894,331	S *	8/2020	Tanaka	D23/209
D941,421	S *	1/2022	Kruse	D23/207
2003/0006097	A1 *	1/2003	Tomita	F16N 7/30
					184/55.1
2014/0069521	A1 *	3/2014	Sakai	F17C 13/002
					55/495
2014/0083299	A1 *	3/2014	Yamase	B01D 46/4254
					55/508

OTHER PUBLICATIONS

SMC AW20-N02-CZ Filter/Regulator, Mar. 4, 2012, Amazon, site visited Feb. 24, 2022: <https://www.amazon.com/dp/B007HCH188/> (Year: 2012).*

* cited by examiner

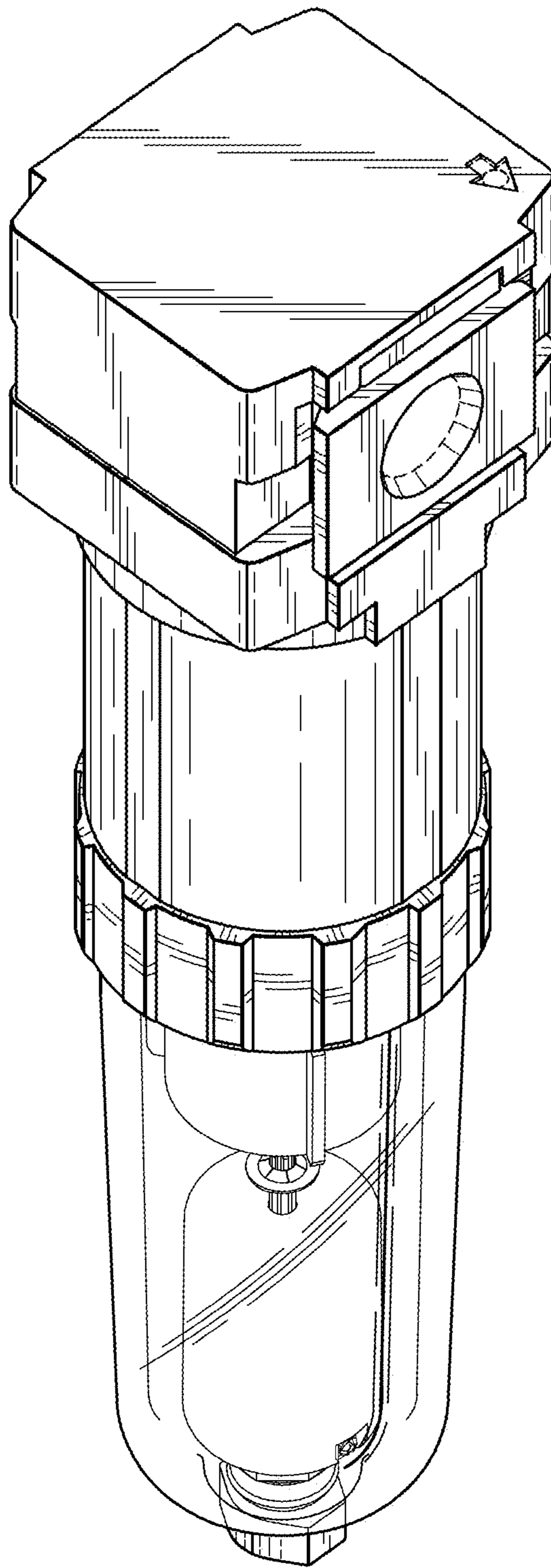


FIG. 1

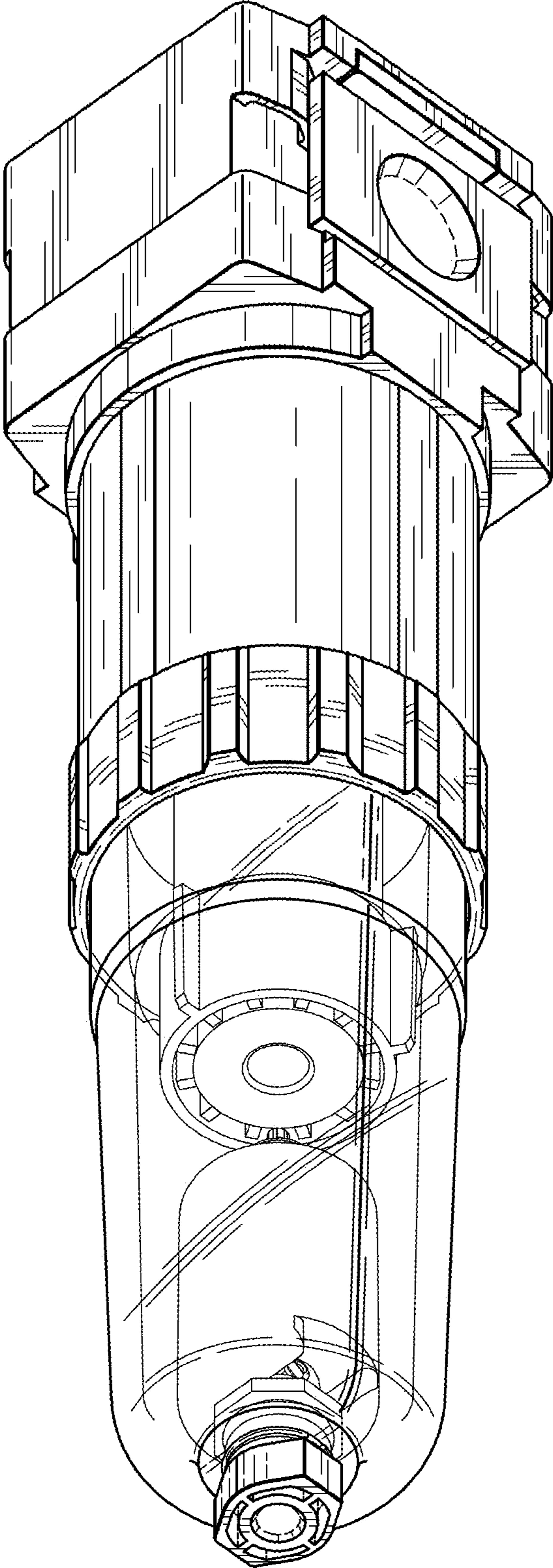


FIG. 2

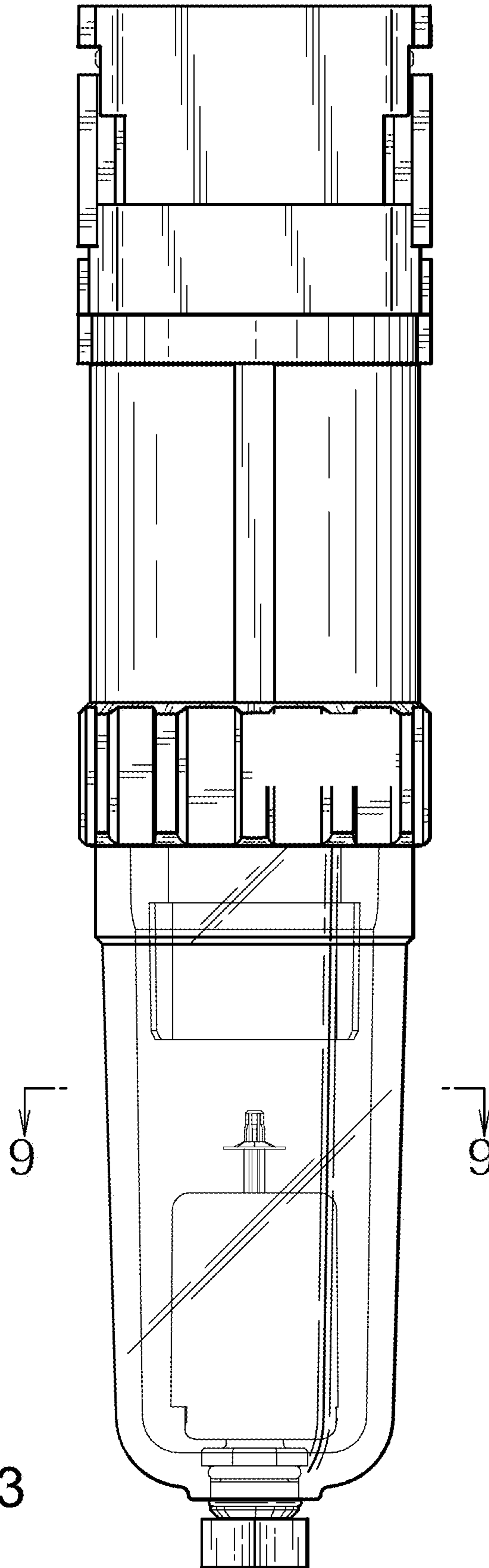


FIG. 3

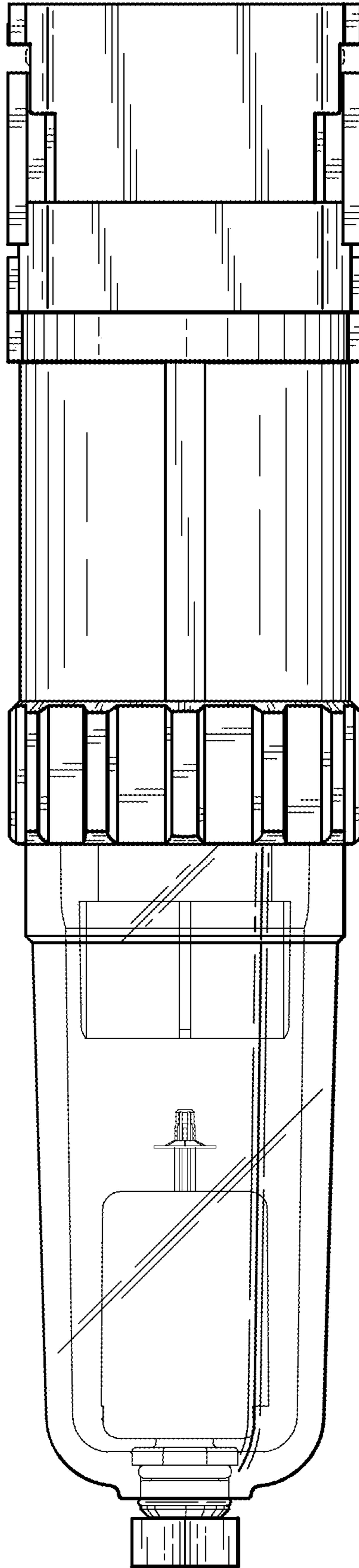


FIG. 4

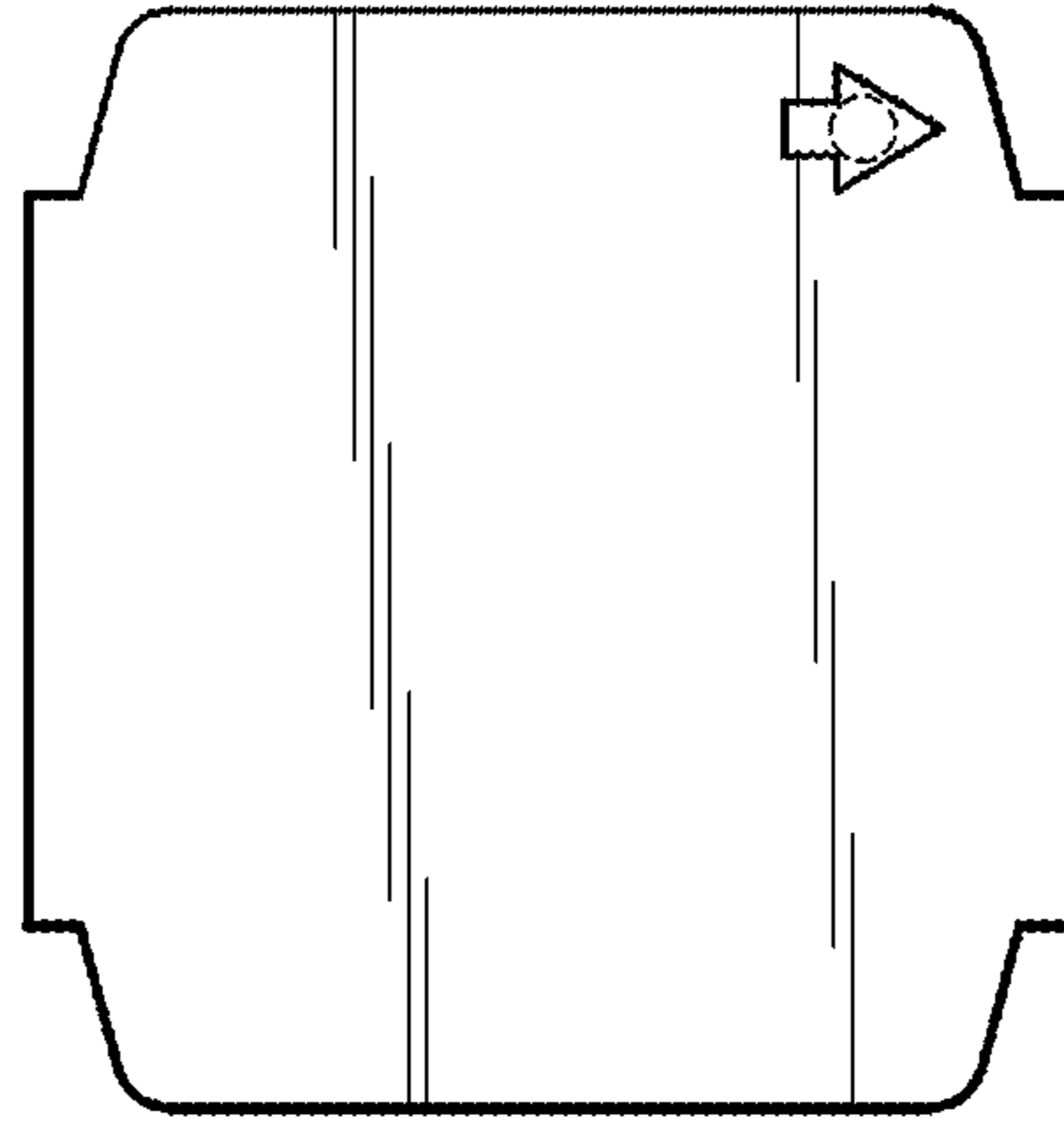


FIG. 5

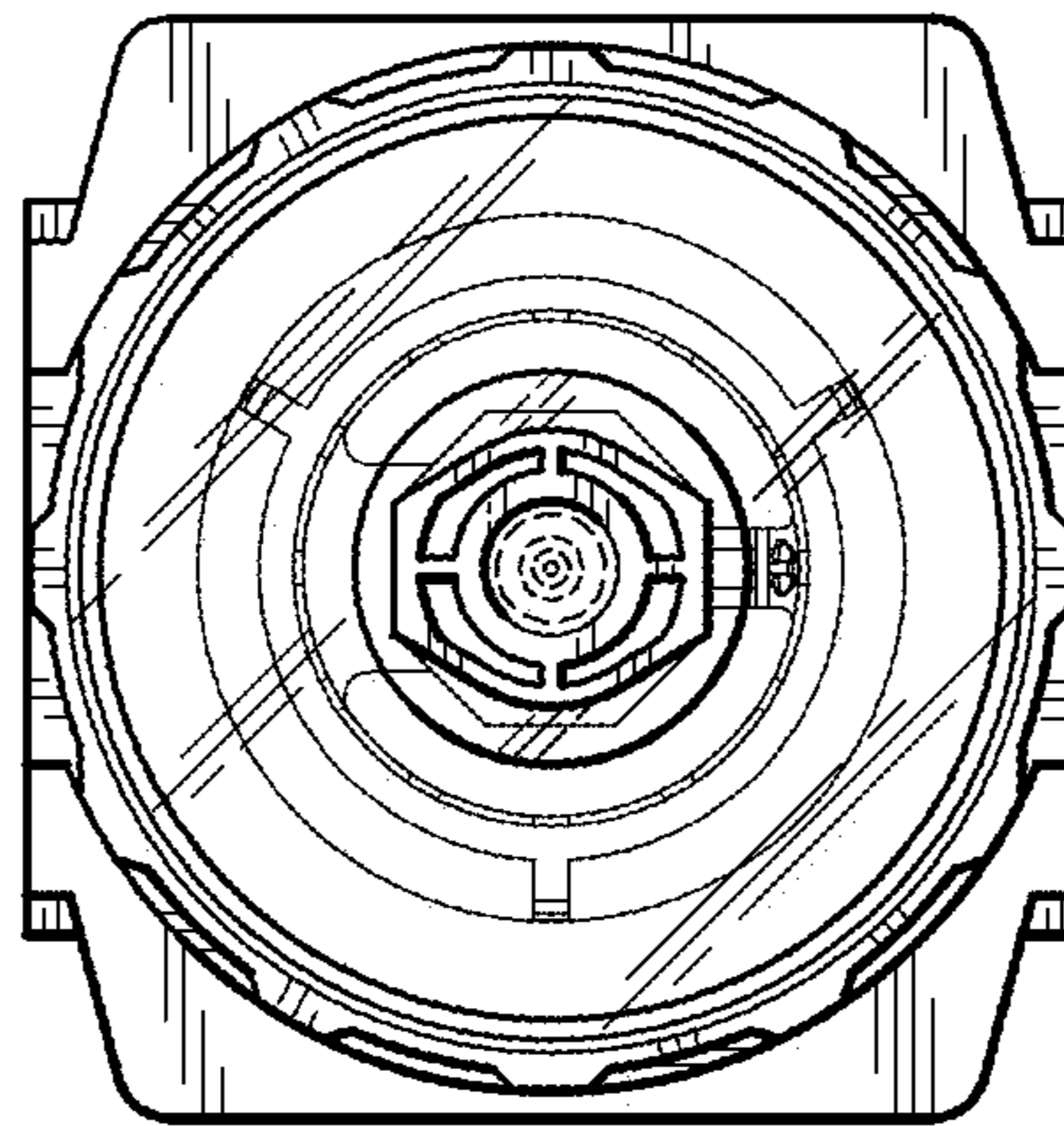


FIG. 6

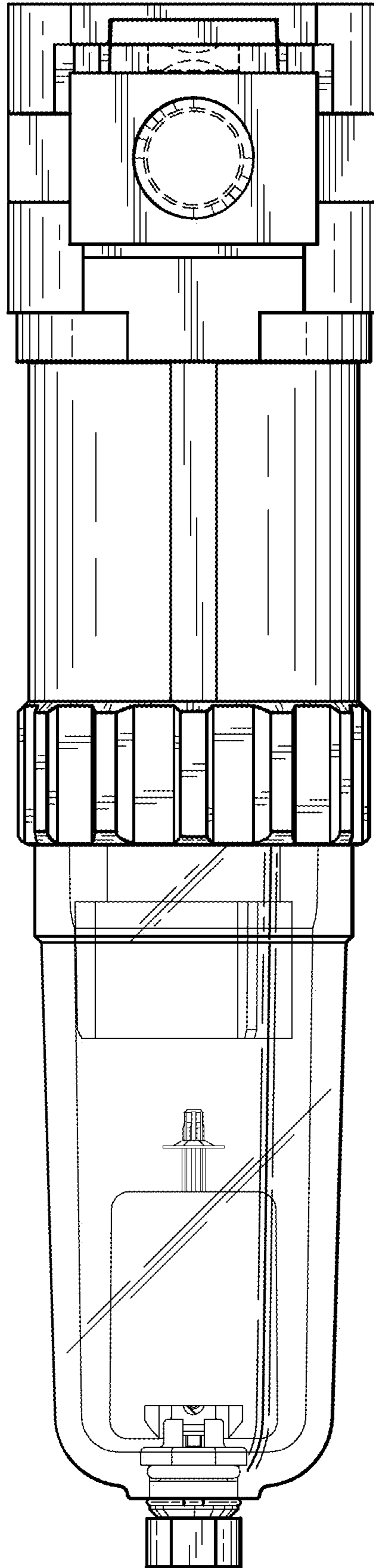


FIG. 7

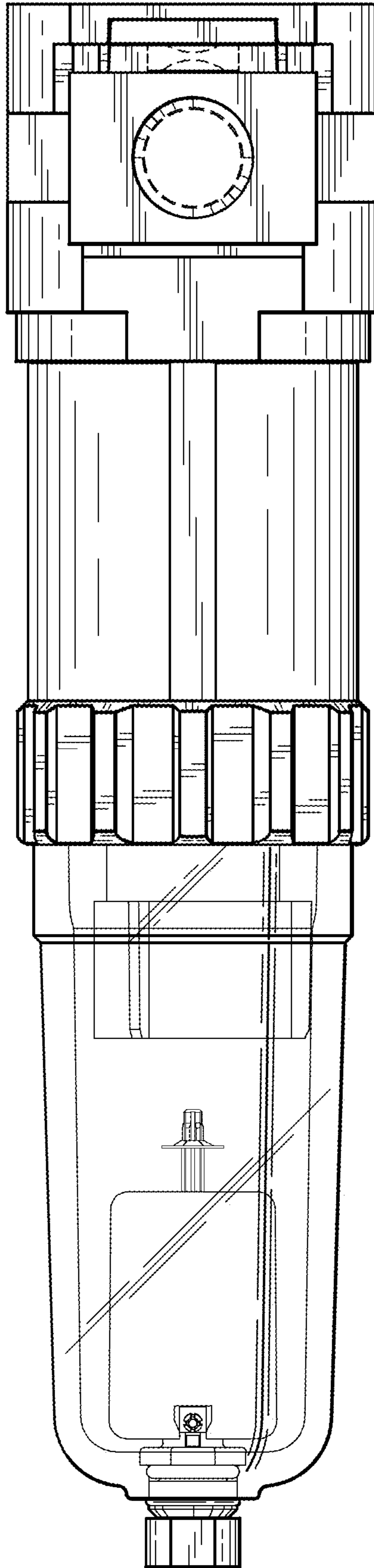


FIG. 8

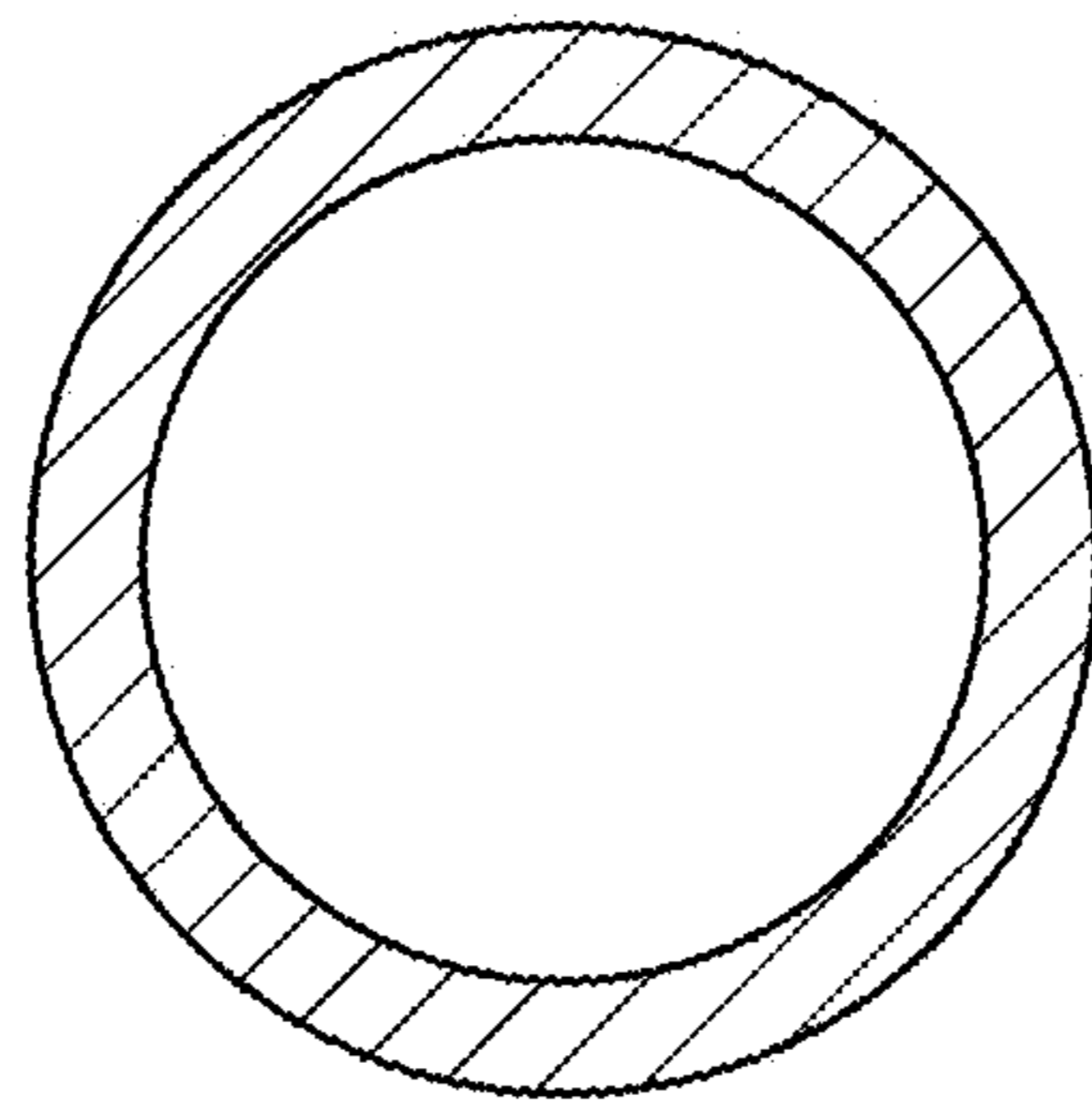


FIG. 9

UNITED STATES PATENT AND TRADEMARK OFFICE
CERTIFICATE OF CORRECTION

PATENT NO. : D980,383 S
APPLICATION NO. : 29/738535
DATED : March 7, 2023
INVENTOR(S) : Tanaka

Page 1 of 3

It is certified that error appears in the above-identified patent and that said Letters Patent is hereby corrected as shown below:

In the Drawings

Please replace Fig. 3 with Fig. 3 as shown on the attached page.

Please replace Fig. 9 with Fig. 9 as shown on the attached page.

Signed and Sealed this
Twenty-seventh Day of August, 2024



Katherine Kelly Vidal
Director of the United States Patent and Trademark Office

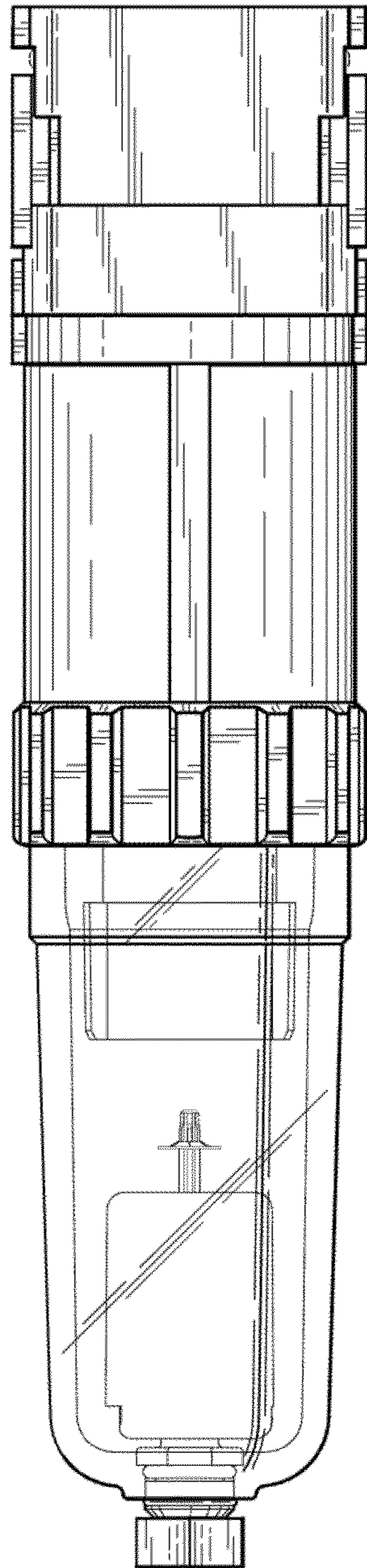


FIG. 3

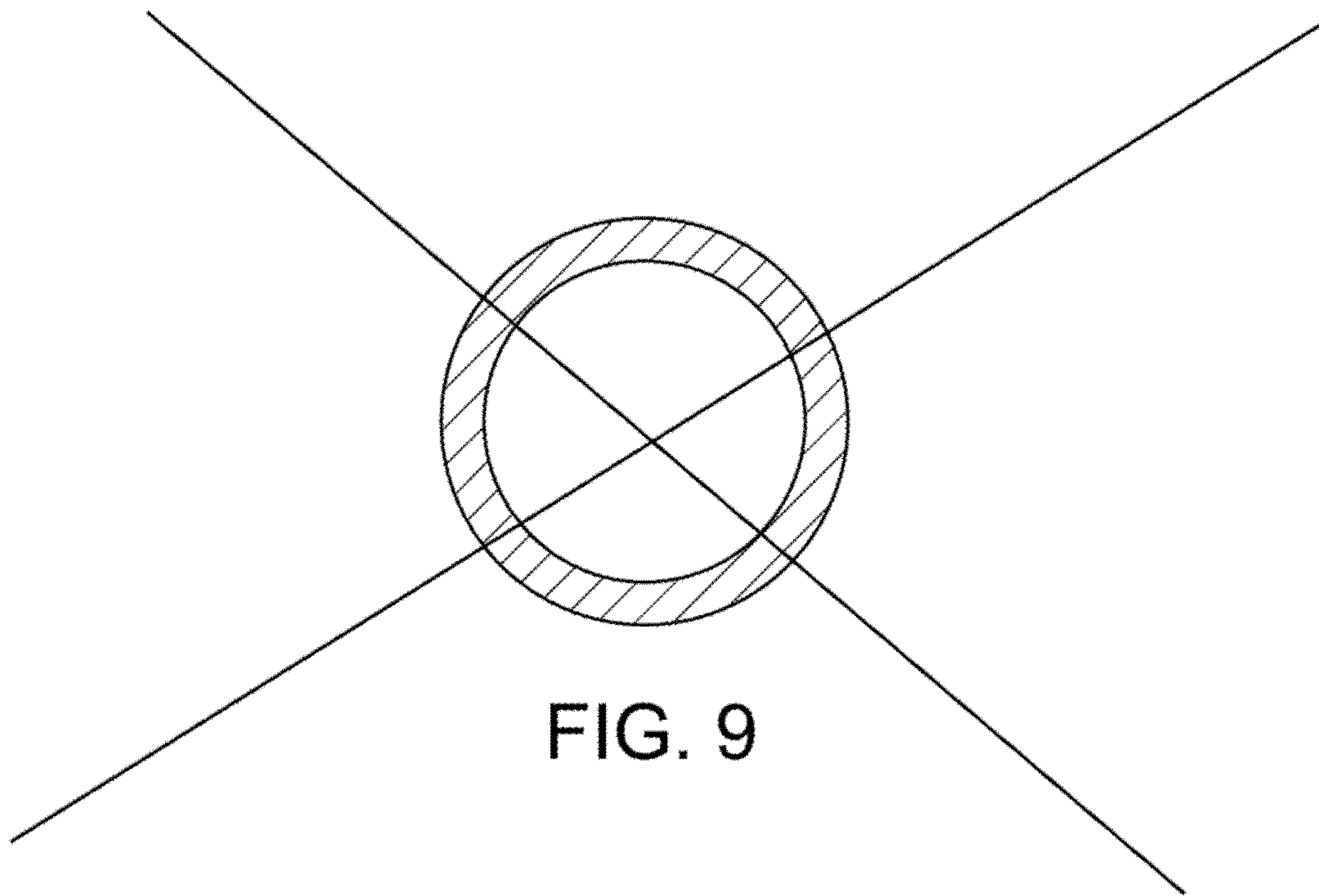


FIG. 9