



US00D980382S

(12) **United States Design Patent** (10) **Patent No.:** **US D980,382 S**
Lu (45) **Date of Patent:** **** Mar. 7, 2023**

(54) **FILTERING DEVICE**
(71) Applicant: **Tianjin Premium E-Commerce Co., Ltd.**, Tianjing (CN)
(72) Inventor: **Jun Lu**, Baotou (CN)
(73) Assignee: **Tianjin Premium E-Commerce Co., Ltd.**, Tianjin (CN)

D679,825 S * 4/2013 Elkerbout D24/217
D751,169 S * 3/2016 Takeda D23/207
D790,659 S * 6/2017 Rummel D23/209
D792,941 S * 7/2017 Rummel D23/209
D819,699 S * 6/2018 Krull D15/5
D825,778 S * 8/2018 Brenner D24/232
D884,866 S * 5/2020 Knight D23/365
D885,833 S * 6/2020 Zou D7/400
2013/0019576 A1* 1/2013 Krisko B01D 50/20
55/497

(**) Term: **15 Years**
(21) Appl. No.: **29/684,603**
(22) Filed: **Mar. 22, 2019**

* cited by examiner

Primary Examiner — Calvin E Vansant

(74) *Attorney, Agent, or Firm* — Yanling Jiang

(30) **Foreign Application Priority Data**

Jan. 28, 2019 (CN) 201930048191.2

(51) **LOC (14) Cl.** **23-01**
(52) **U.S. Cl.**
USPC **D23/209**; D24/162

(58) **Field of Classification Search**
USPC D23/202, 205, 207, 209, 210, 259, 260,
D23/262
CPC B01D 2201/29; B01D 2201/30; B01D
2201/291; B01D 2201/296; B01D
2201/298; B01D 2201/301; B01D
2201/302; B01D 2201/303; B01D
2201/304; B01D 2201/306; B01D
2201/309; B01D 36/001; B01D 35/02;
B01D 35/30; B01D 29/111
See application file for complete search history.

(56) **References Cited**

U.S. PATENT DOCUMENTS

D321,564 S * 11/1991 Miller D24/217
D389,243 S * 1/1998 Miller D24/162
D501,912 S * 2/2005 Tanner D23/209
D650,662 S * 12/2011 Shiffer D9/425

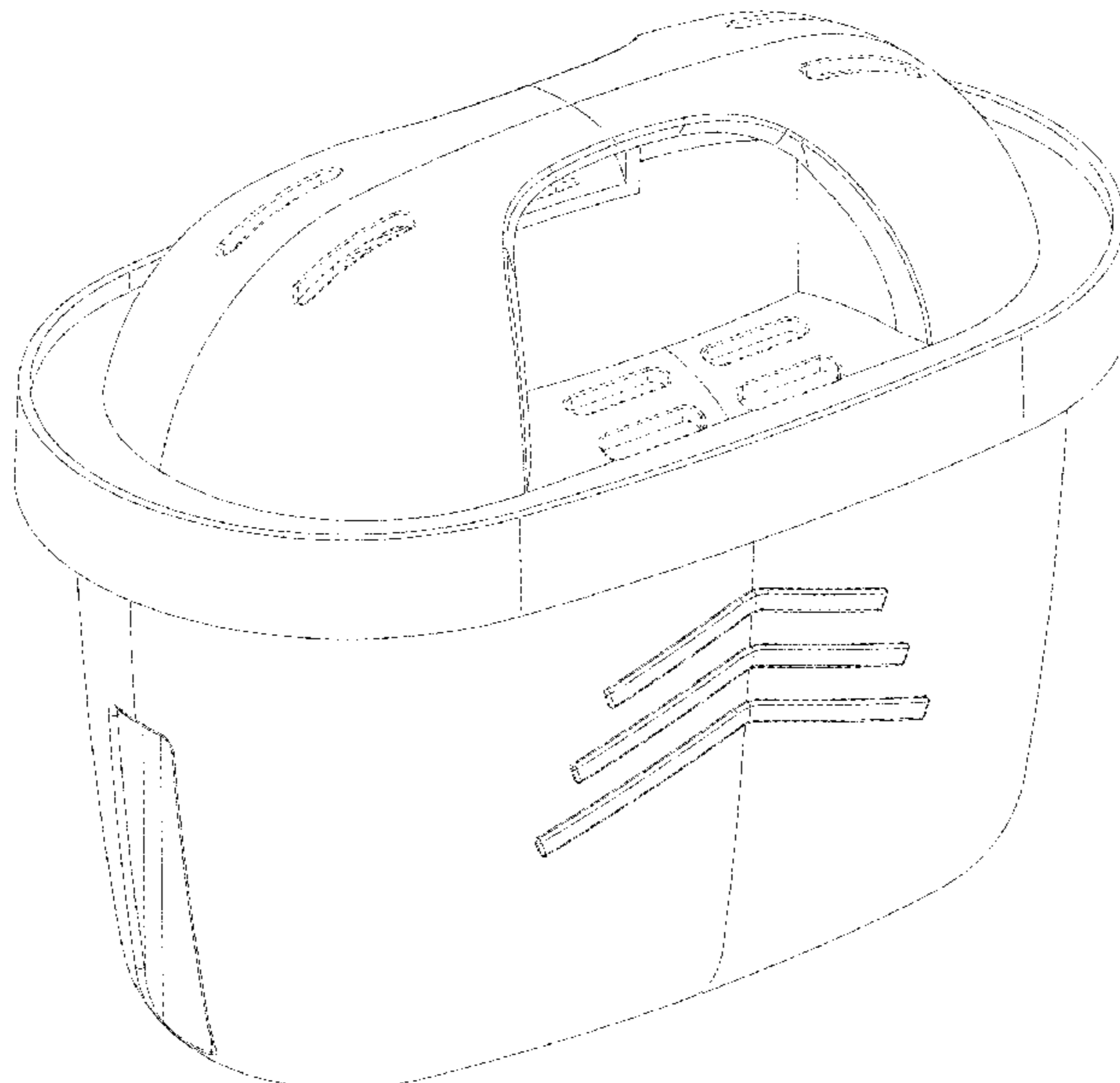
(57) **CLAIM**

The ornamental design for filtering device, as shown and described.

DESCRIPTION

FIG. 1 is a top right perspective view showing filtering device, showing my new design;
FIG. 2 is a front elevation view thereof;
FIG. 3 is a rear elevation view thereof;
FIG. 4 is a top plan view thereof;
FIG. 5 is a bottom plan view thereof;
FIG. 6 is a side view thereof; and,
FIG. 7 is an opposite side view thereof.

1 Claim, 7 Drawing Sheets



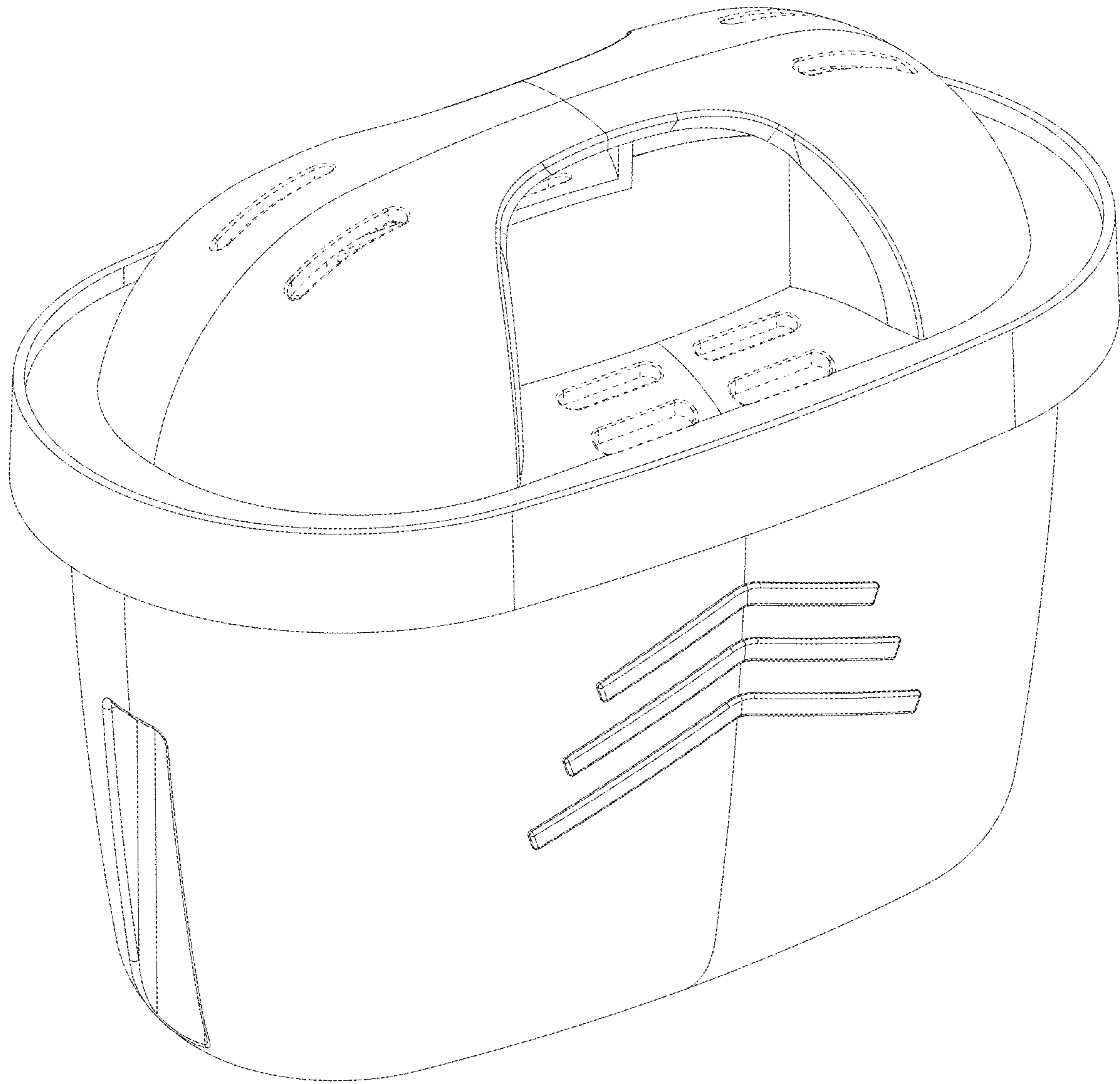


FIG. 1

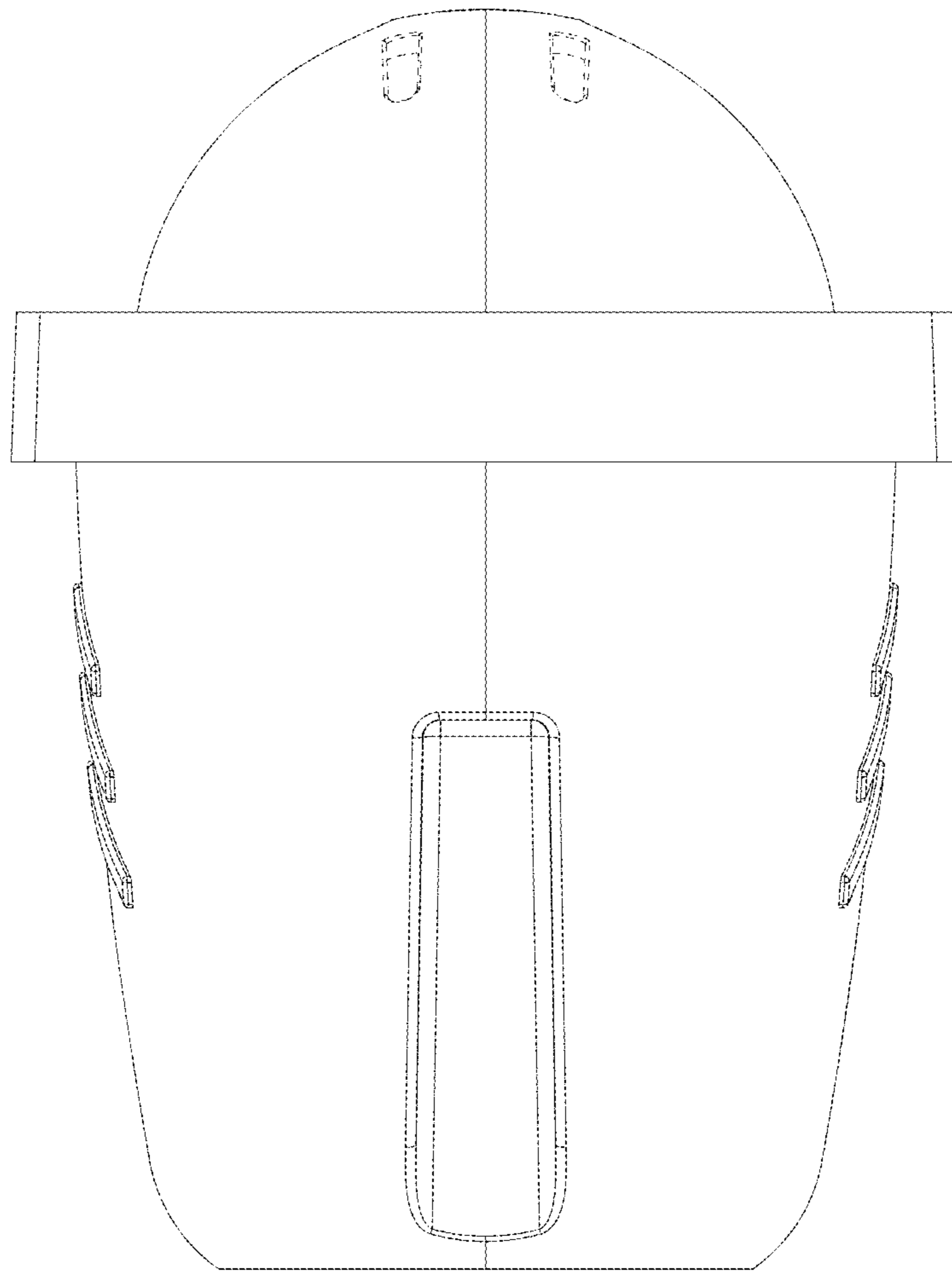


FIG. 2

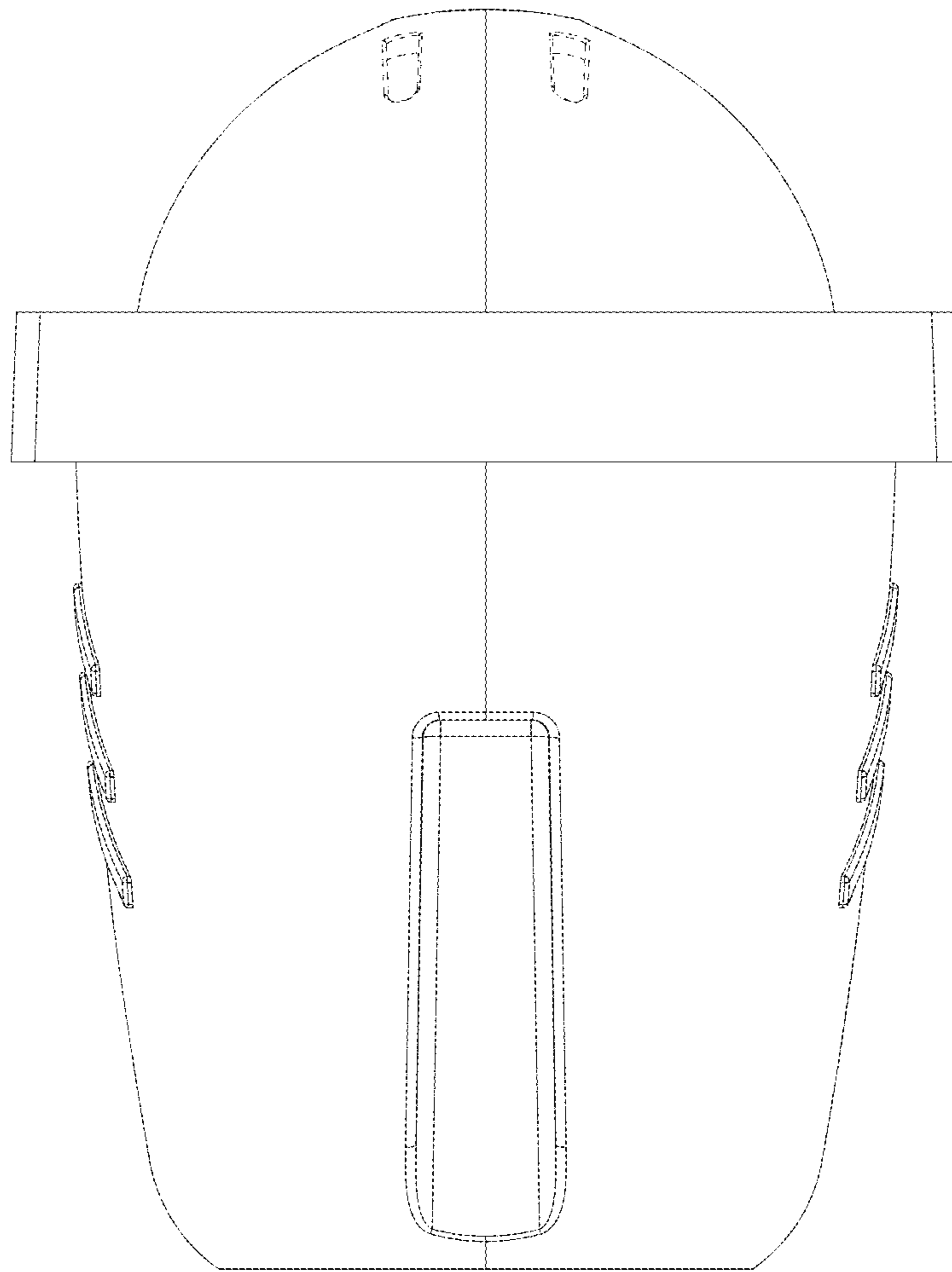


FIG. 3

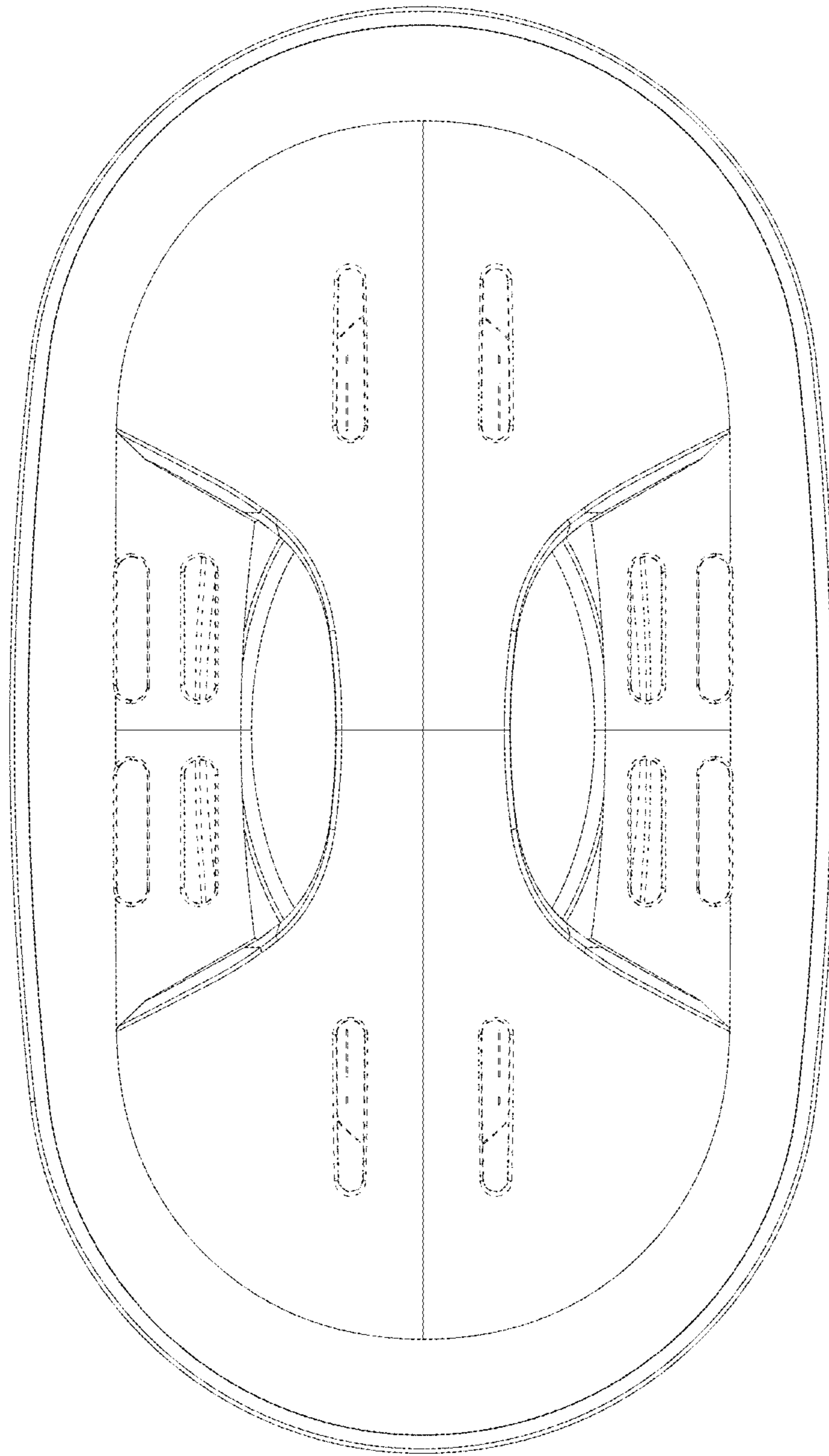


FIG. 4

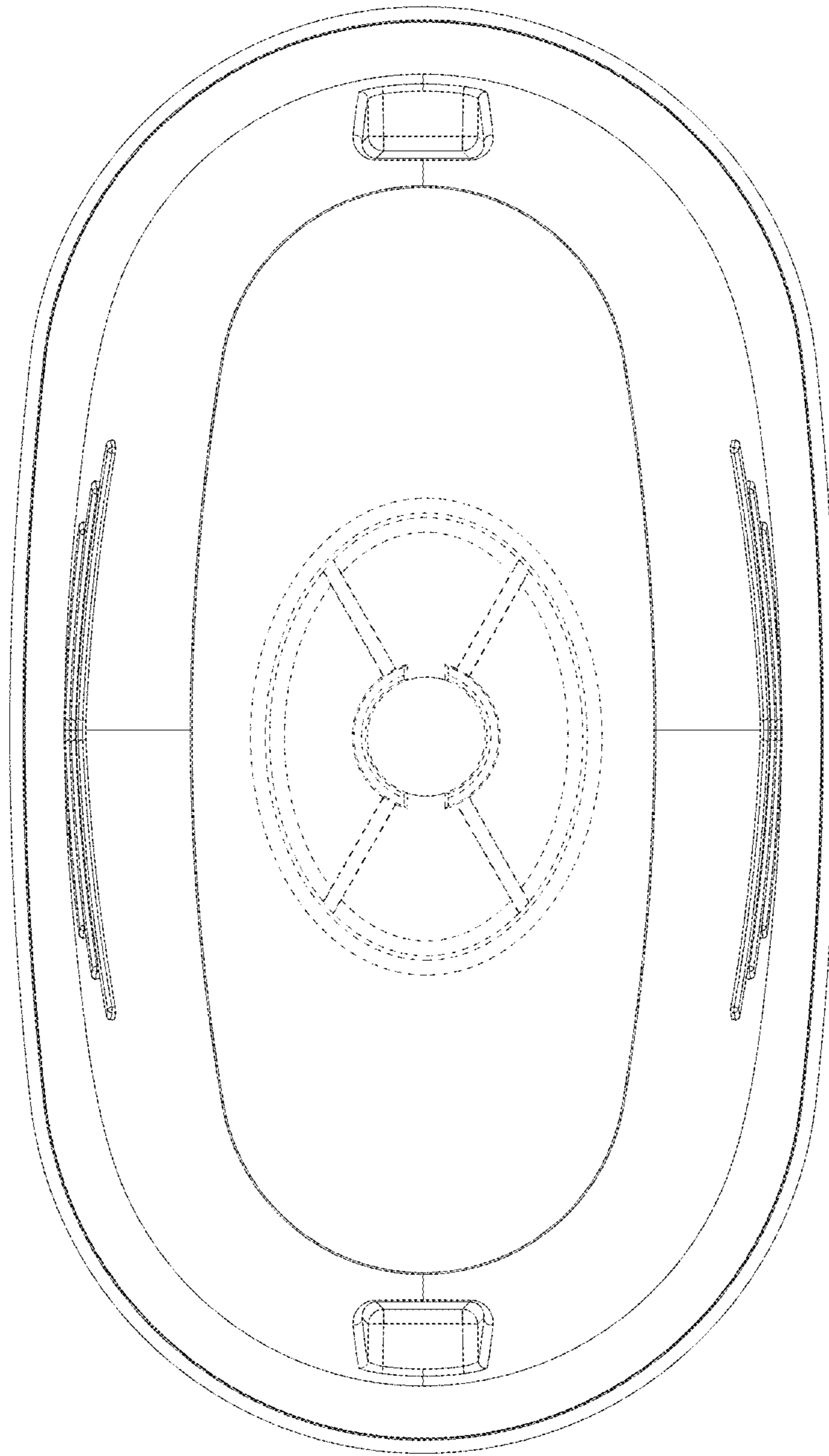


FIG. 5

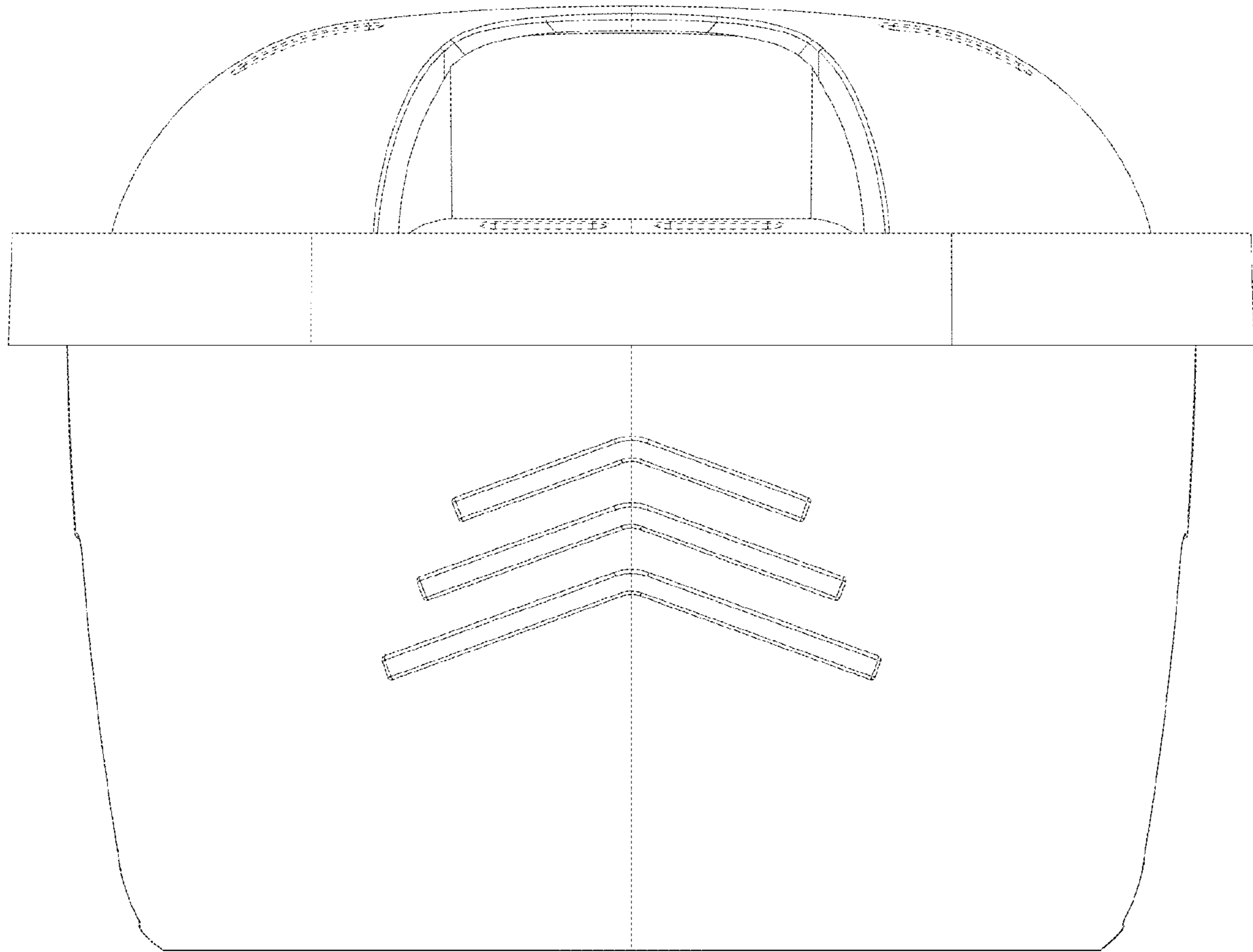


FIG. 6

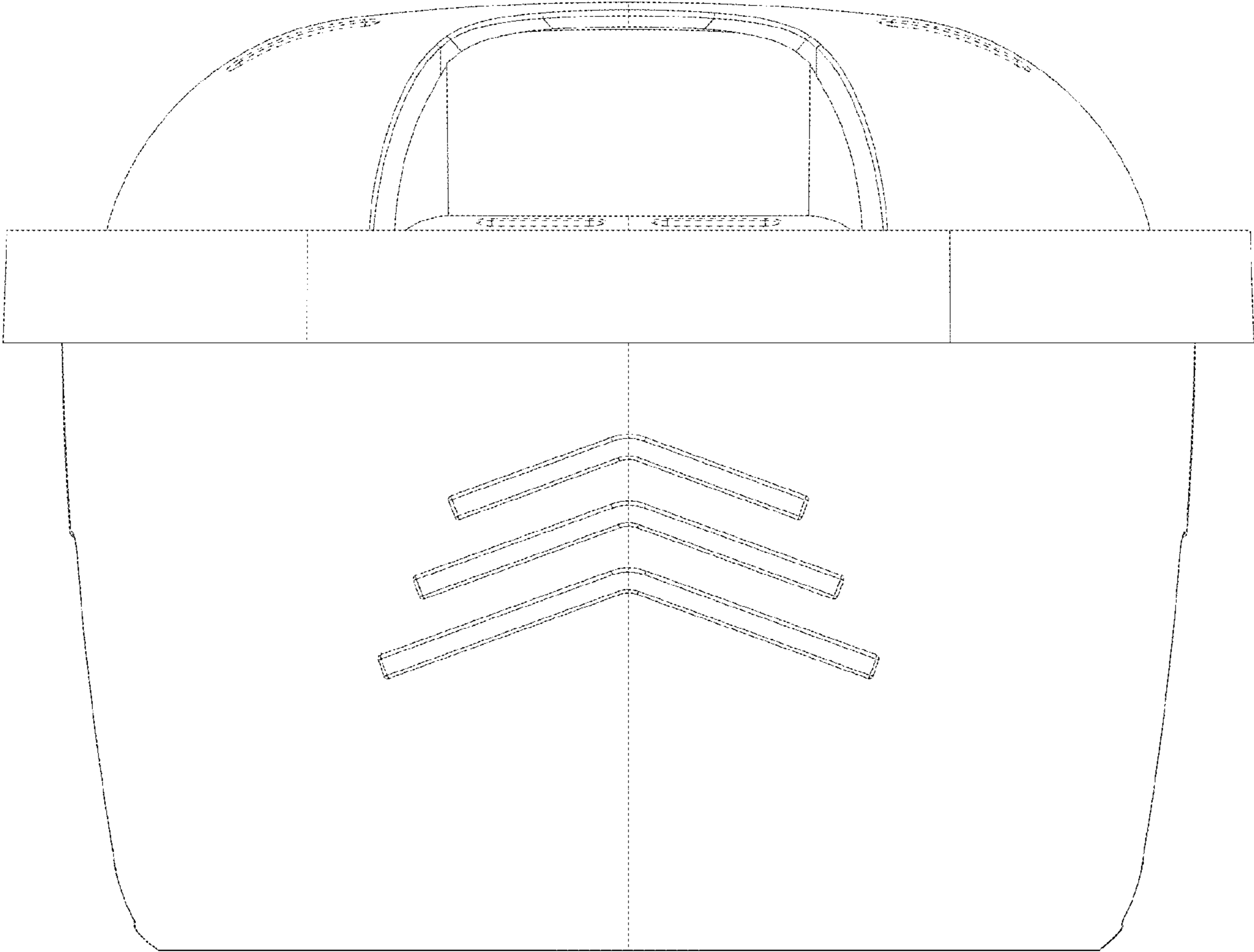


FIG. 7