



US00D980381S

(12) **United States Design Patent**
Pike

(10) **Patent No.:** **US D980,381 S**

(45) **Date of Patent:** **** Mar. 7, 2023**

(54) **SPA CHLORINATOR**

(71) Applicant: **CPA POOL PRODUCTS, INC.**,
Blainville (CA)

(72) Inventor: **Jeremy Pike**, Blainville (CA)

(73) Assignee: **CPA POOL PRODUCTS, INC.**,
Blainville (CA)

(**) Term: **15 Years**

(21) Appl. No.: **29/796,140**

(22) Filed: **Jun. 22, 2021**

(51) **LOC (14) Cl.** **23-01**

(52) **U.S. Cl.**
USPC **D23/207**

(58) **Field of Classification Search**
USPC D23/207, 208, 209, 355, 362, 363, 364,
D23/365, 366; D7/306, 307, 311, 312
CPC B01D 27/00; B01D 27/08; B01D 35/306;
B01D 35/34; B01D 61/08; B01D 61/081;
B01D 2201/29; B01D 2201/291; B01D
2201/4015; B01D 2221/02; C02F 1/003;
C02F 9/005; C02F 2307/10; E04H
4/1209; E04H 4/1263; E04H 4/1281
See application file for complete search history.

(56) **References Cited**

U.S. PATENT DOCUMENTS

4,630,634 A * 12/1986 Sasaki C02F 1/688
D23/207
5,059,296 A * 10/1991 Sherman C02F 1/46104
204/DIG. 5
D371,824 S * 7/1996 Price D23/207
D432,206 S * 10/2000 Stoltz D23/209
D526,382 S * 8/2006 Thompson D23/208
D559,943 S * 1/2008 Mercer D23/207
7,497,947 B2 * 3/2009 Knighton C02F 3/10
210/242.1

D630,705 S * 1/2011 Rossano D23/208
D652,374 S * 1/2012 Mercer D13/102
D736,344 S * 8/2015 Chalifoux D23/208
D747,439 S * 1/2016 Byers D23/208
9,631,388 B2 * 4/2017 Hui E04H 4/1281
D788,878 S * 6/2017 Smith, Jr. D23/207
D794,160 S * 8/2017 Hui D23/207
10,604,954 B2 * 3/2020 Shalon G01N 33/1886
D882,727 S * 4/2020 Lee D23/207

(Continued)

OTHER PUBLICATIONS

FENRIR Floating Dispenser, Jul. 1, 2020, Amazon, site visited Sep.
26, 2020: <https://www.amazon.co.uk/dp/B08C56HWDZ/> (Year: 2020).*

(Continued)

Primary Examiner — Jack Reickel

Assistant Examiner — Bobby W Jones, II

(74) *Attorney, Agent, or Firm* — Hodgson Russ LLP

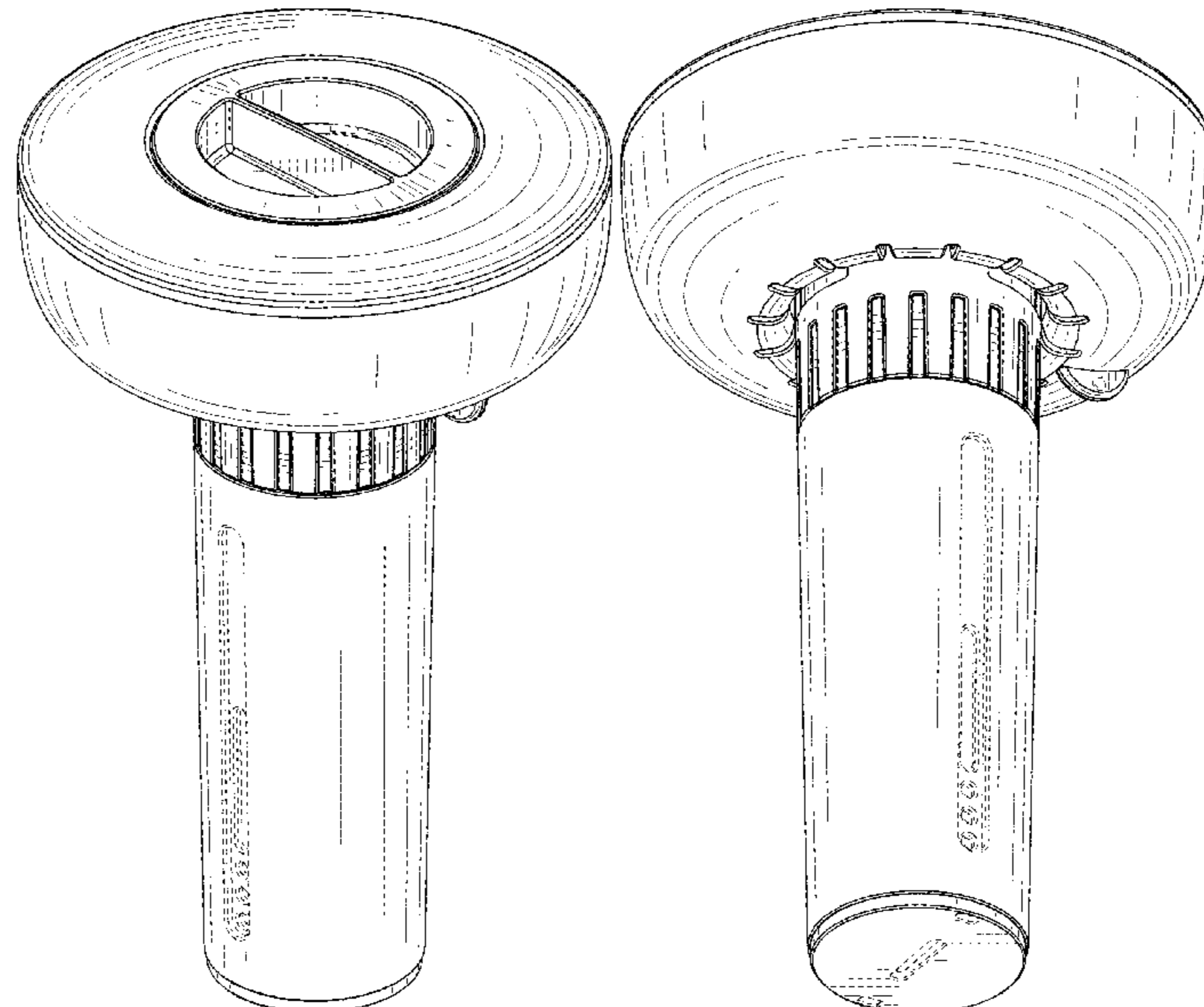
(57) **CLAIM**

The ornamental design for a spa chlorinator, as shown and
described.

DESCRIPTION

FIG. 1 is a front-top-right perspective view of a spa chlo-
rinator, showing my new design;
FIG. 2 is a front-bottom-left perspective view thereof;
FIG. 3 is a front elevation view thereof;
FIG. 4 is a rear elevation view thereof;
FIG. 5 is a right side elevation view thereof;
FIG. 6 is a left side elevation view thereof;
FIG. 7 is a top plan view thereof;
FIG. 8 is a bottom plan view thereof; and,
FIG. 9 is another front-top-right perspective view thereof,
showing the spa chlorinator in an extended position.
The broken lines in the figures illustrate portions of the spa
chlorinator that form no part of the claimed design.

1 Claim, 8 Drawing Sheets



(56)

References Cited

U.S. PATENT DOCUMENTS

2004/0217045 A1* 11/2004 Gruca B01D 35/153
210/429
2015/0322683 A1* 11/2015 Edwards E04H 4/1281
210/86
2017/0356209 A1* 12/2017 He C02F 1/688
2018/0087285 A1* 3/2018 Craft E04H 4/1281
2018/0112430 A1* 4/2018 Shalon C02F 1/76
2019/0022603 A1* 1/2019 Huang B01F 21/22
2019/0257807 A1* 8/2019 Witelson G01N 33/1886
2020/0216234 A1* 7/2020 He E04H 4/1281
2021/0172188 A1* 6/2021 Afshar B01D 29/58
2021/0340786 A1* 11/2021 Zhang C02F 1/688

OTHER PUBLICATIONS

Mini Premium Floater Dispenser for Spa, Sep. 27, 2020, Amazon,
site visited Sep. 26, 2022: [https://www.amazon.com/dp/
B089QX6PS9/](https://www.amazon.com/dp/B089QX6PS9/) (Year: 2020).*

* cited by examiner

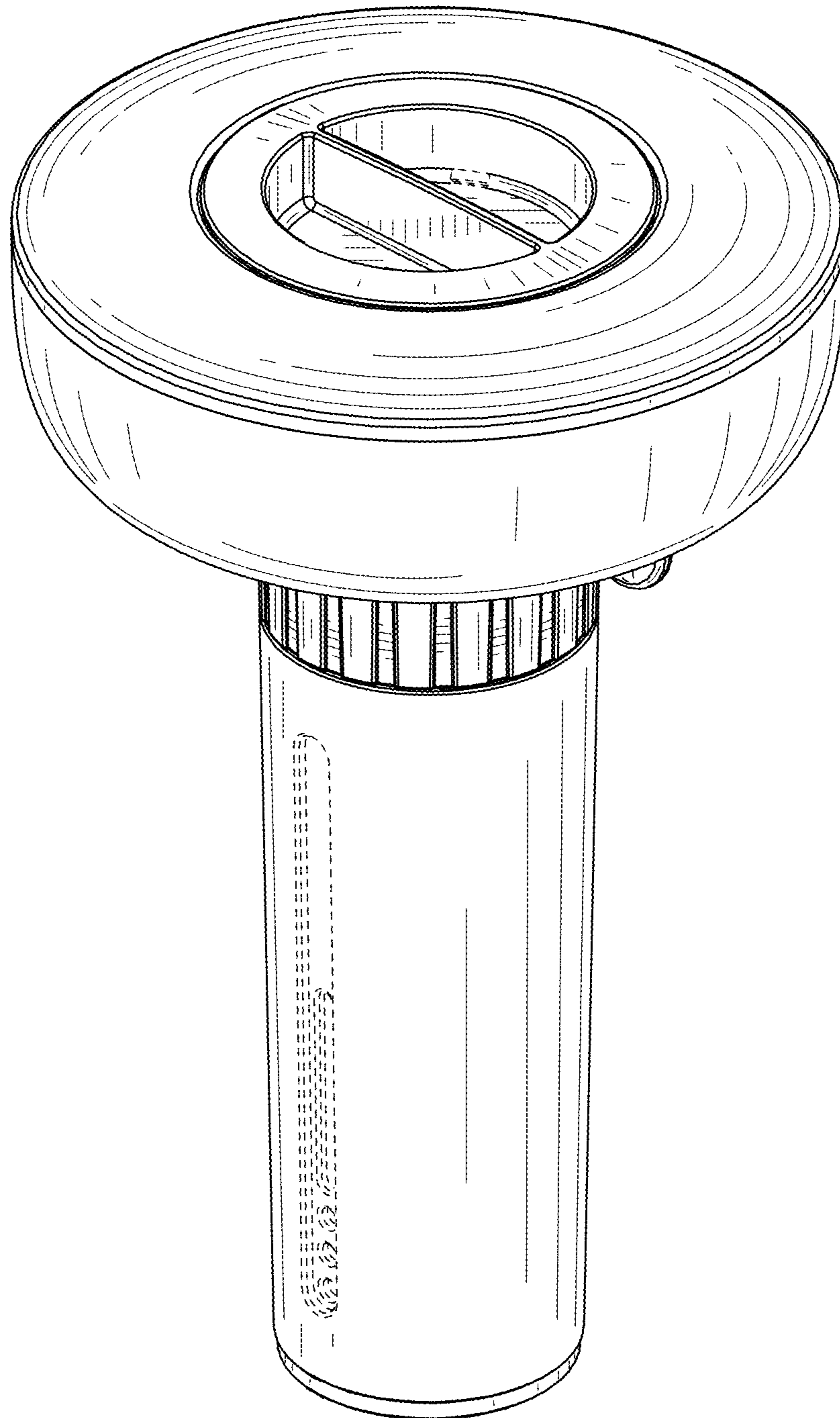


FIG. 1

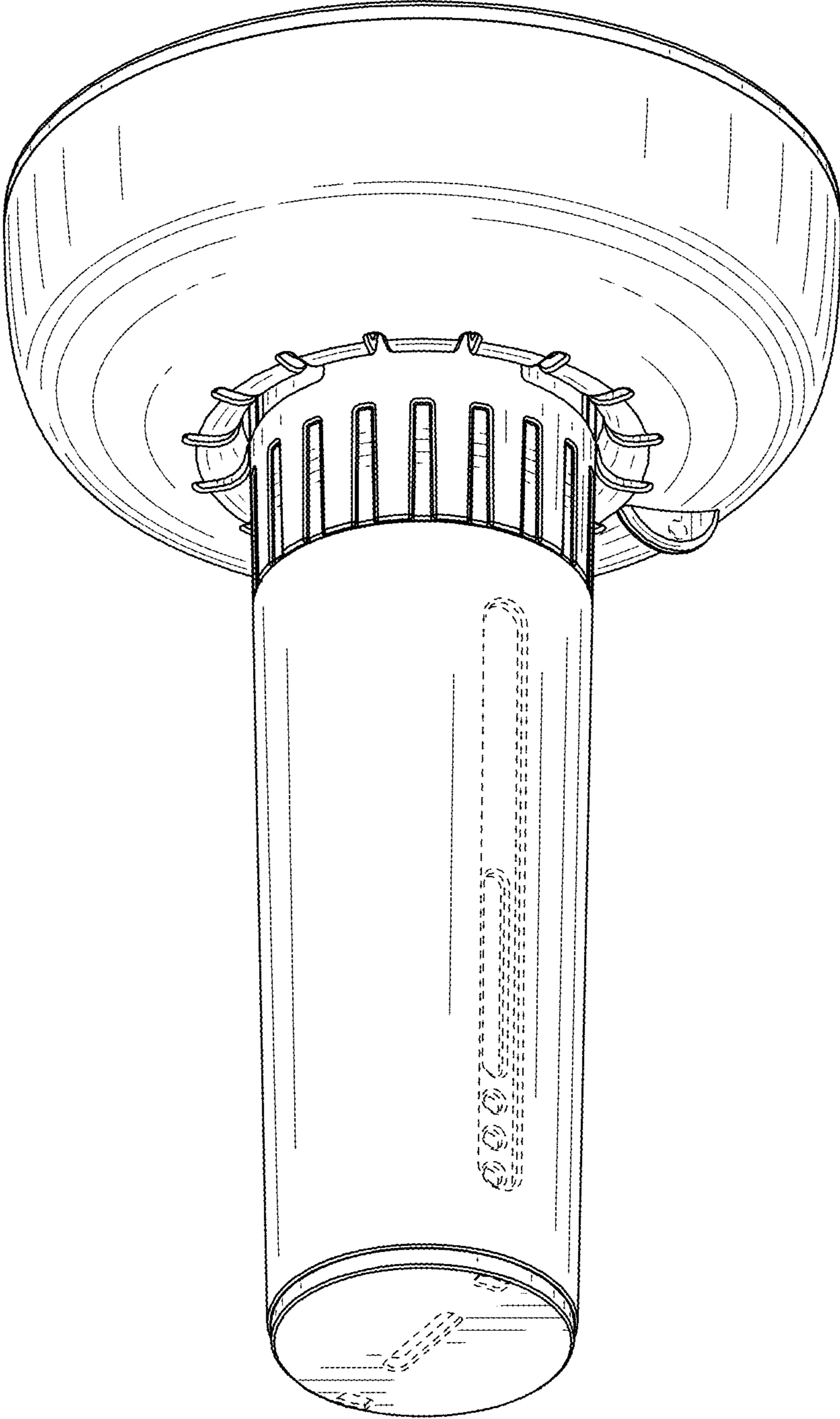


FIG. 2

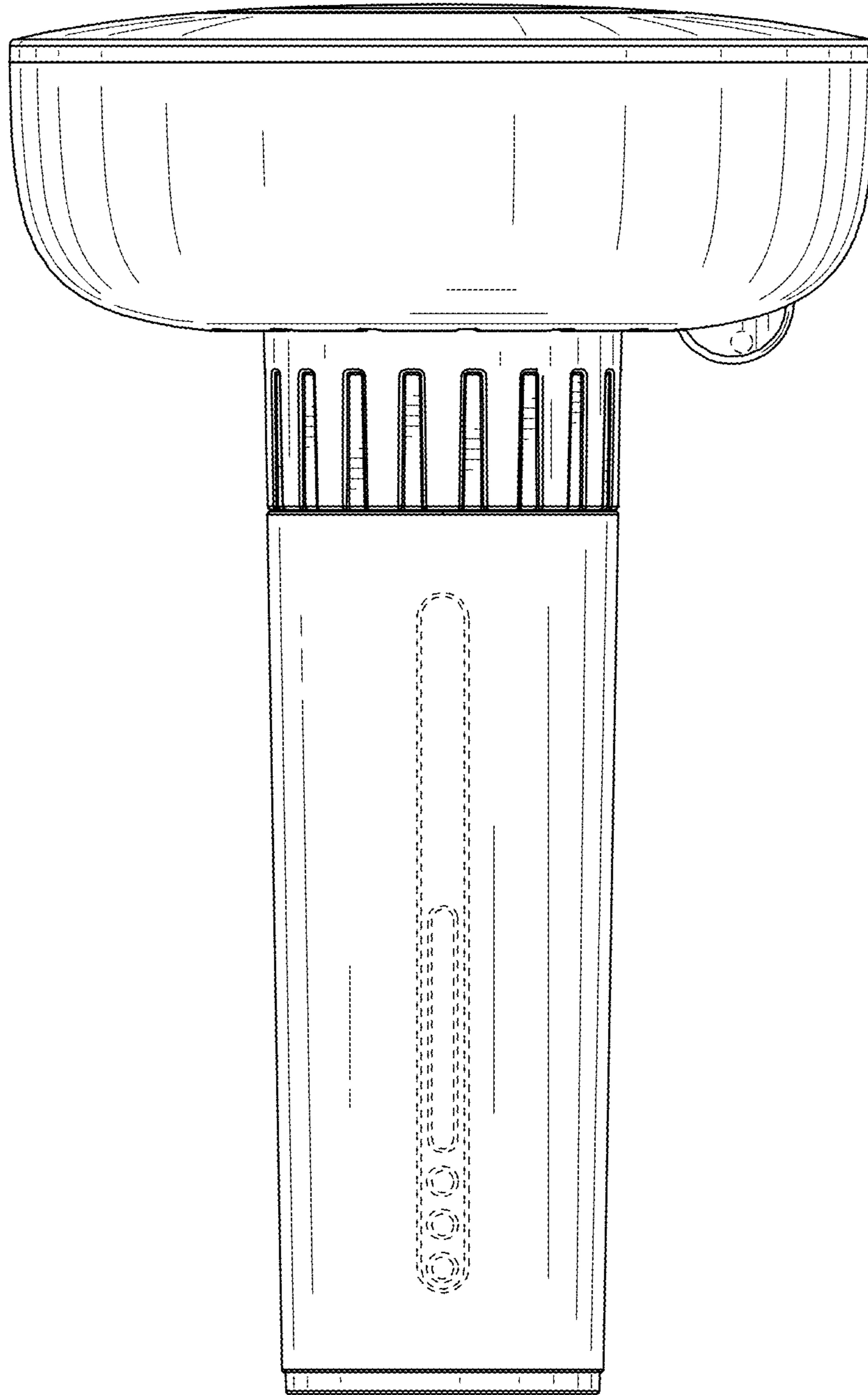


FIG. 3

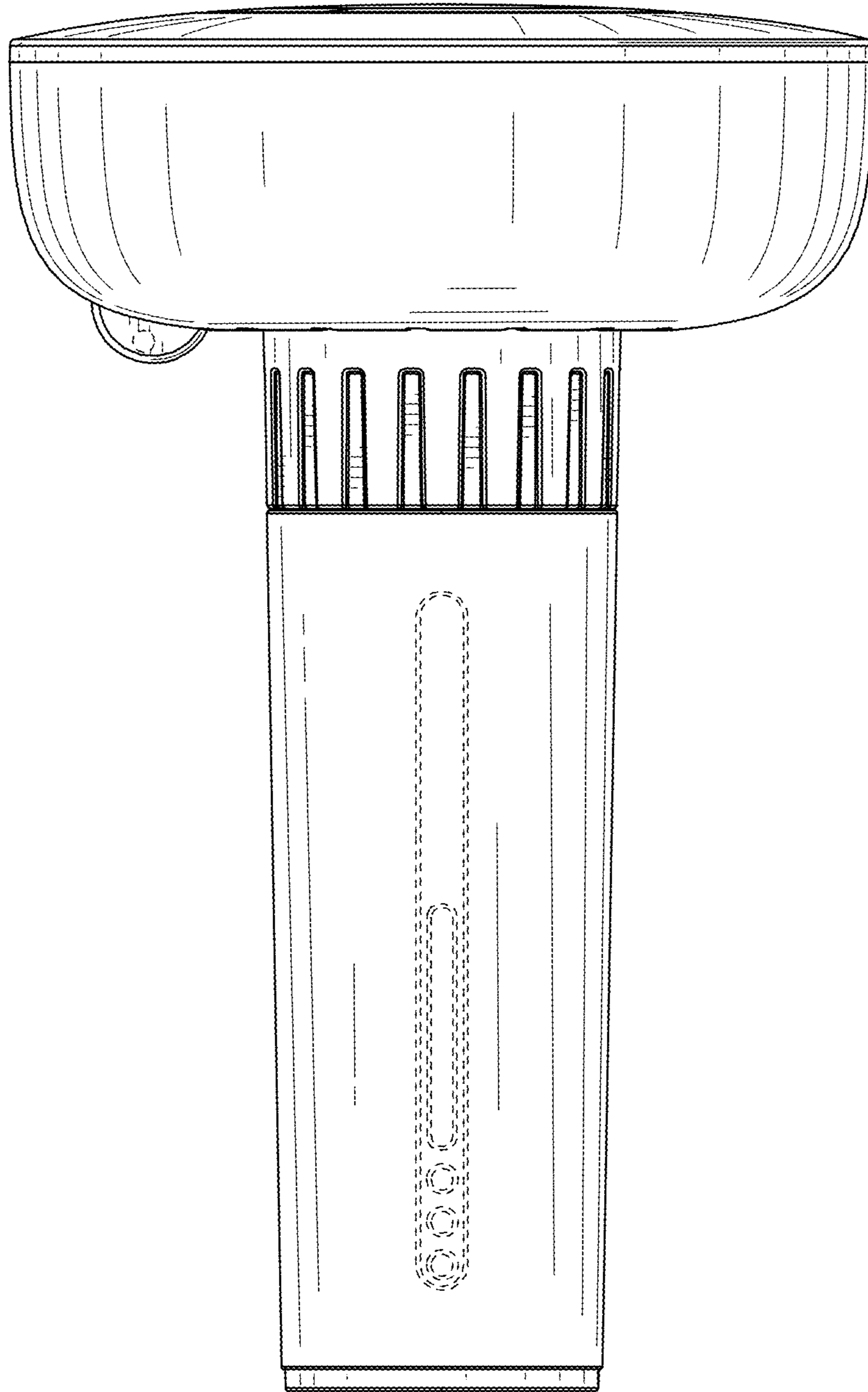


FIG. 4

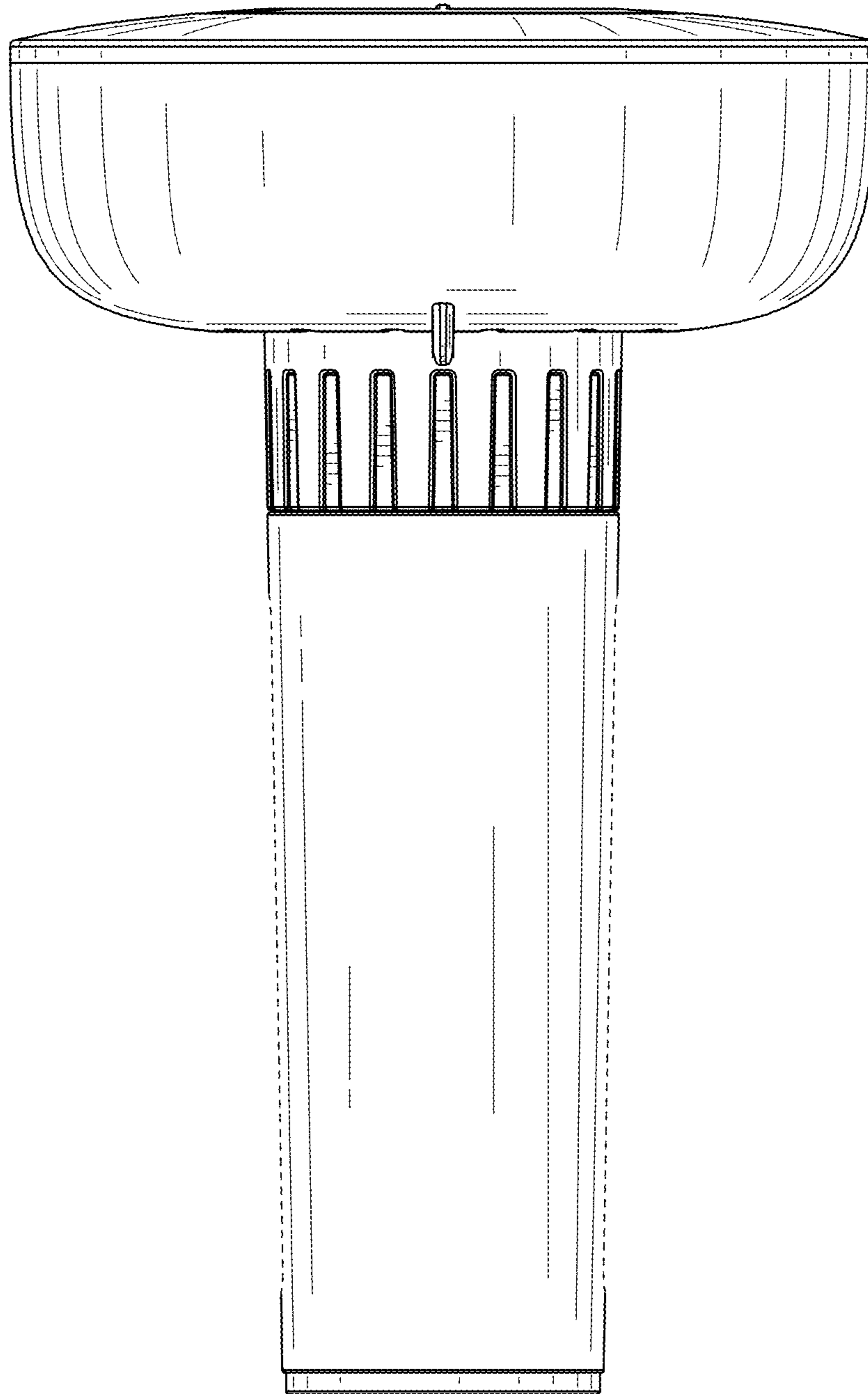


FIG. 5

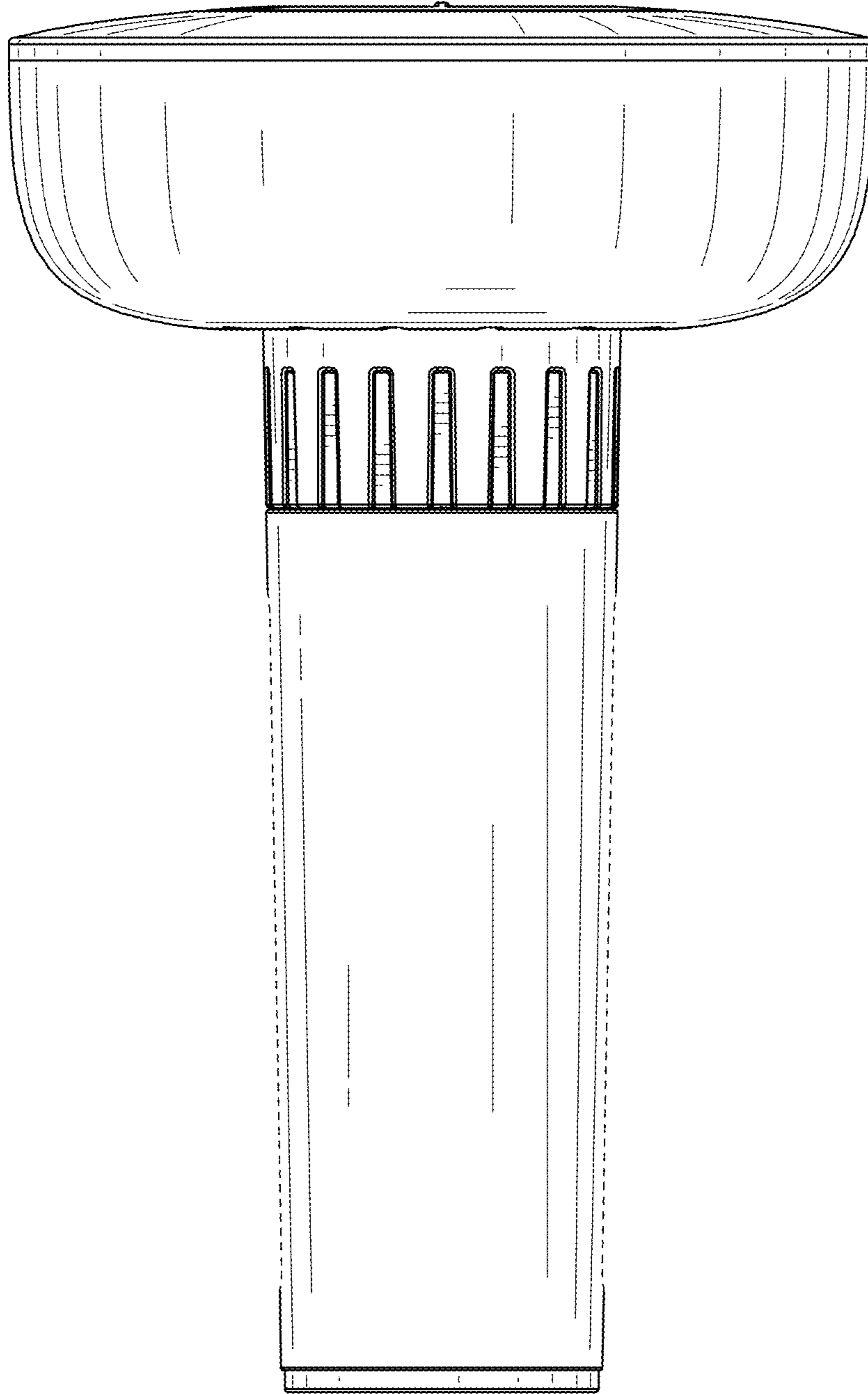


FIG. 6

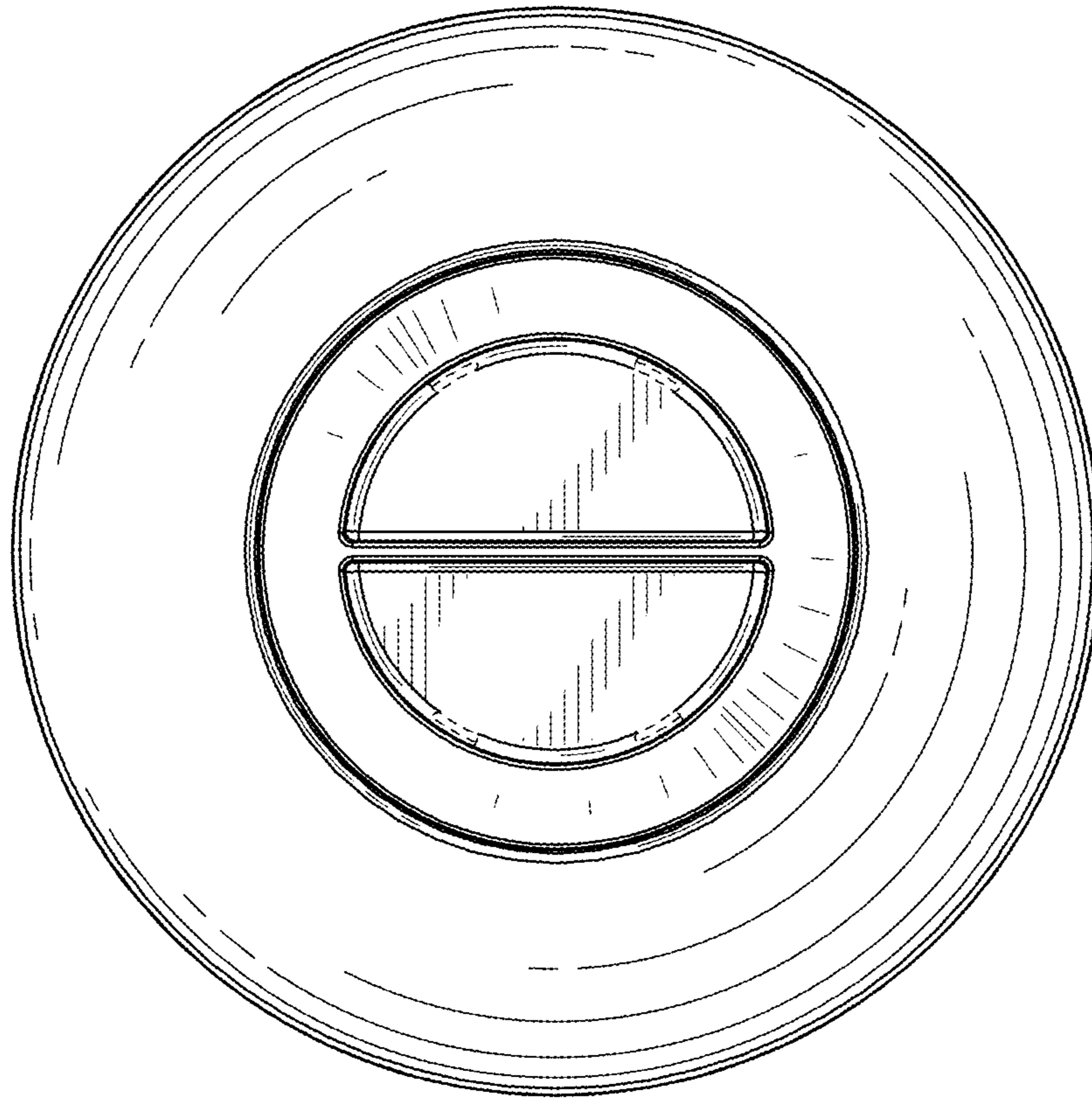


FIG. 7

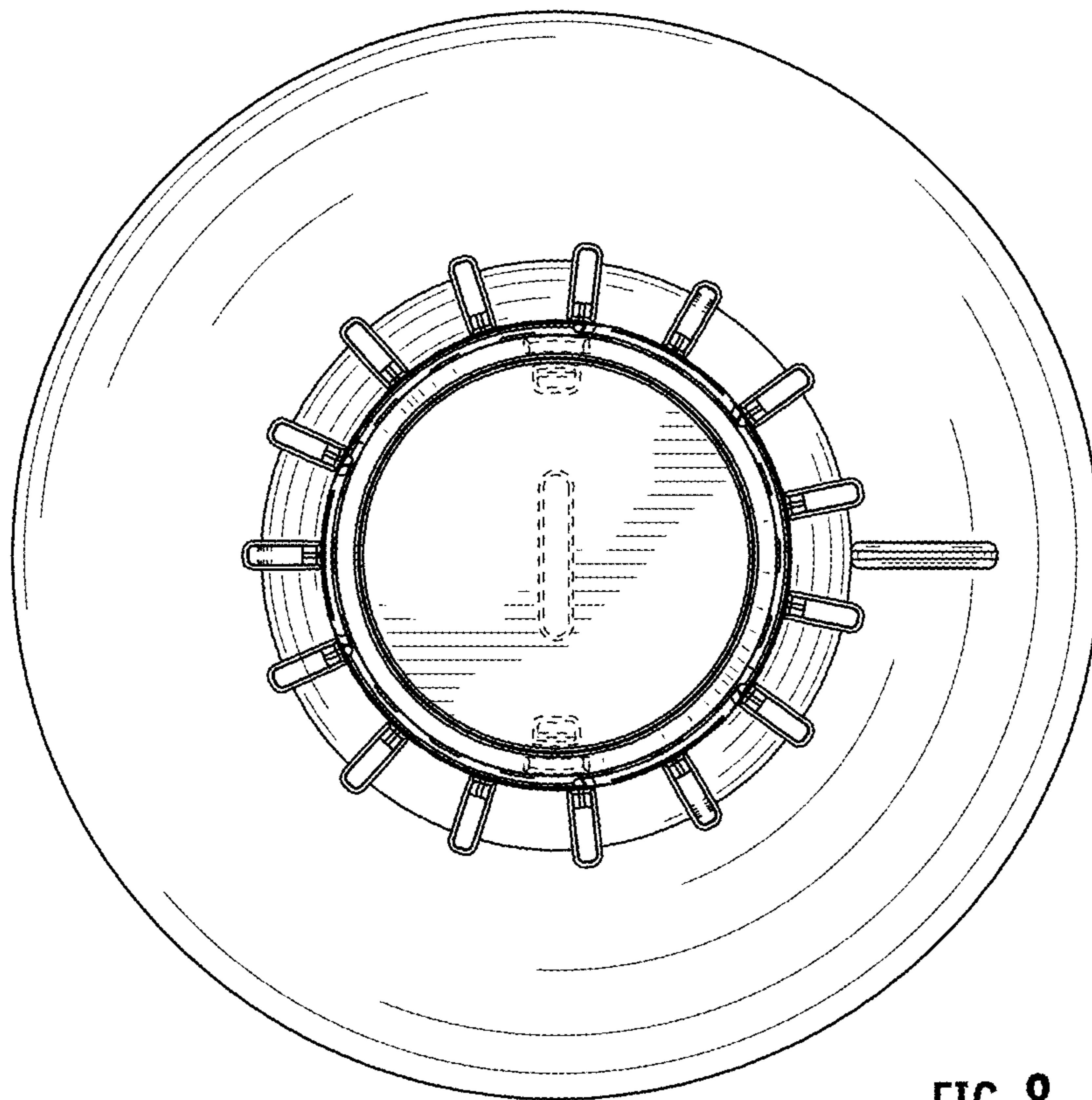


FIG. 8

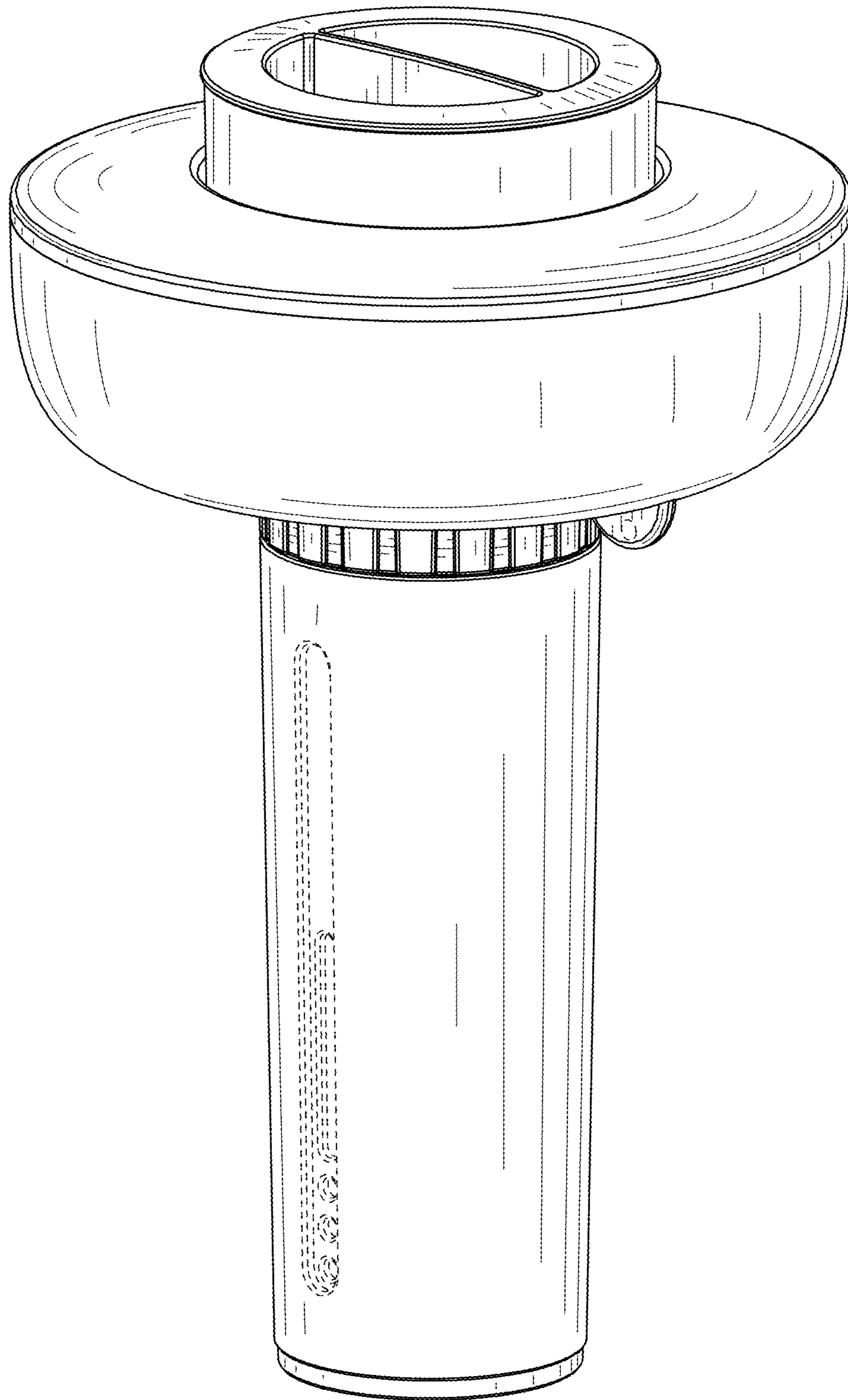


FIG. 9