



US00D980380S

(12) **United States Design Patent**
Nagai et al.

(10) **Patent No.:** **US D980,380 S**
(45) **Date of Patent:** **** Mar. 7, 2023**

- (54) **REEL BODY OF FISHING REEL**
- (71) Applicant: **GLOBERIDE, Inc.**, Tokyo (JP)
- (72) Inventors: **Ryo Nagai**, Tokyo (JP); **Daito Tanimoto**, Tokyo (JP); **Katsuya Masaki**, Tokyo (JP)
- (73) Assignee: **GLOBERIDE, Inc.**, Tokyo (JP)

D846,062 S * 4/2019 Deguchi D22/141
 D895,761 S * 9/2020 Oodama D22/141
 D948,657 S * 4/2022 Horie D22/141
 (Continued)

- (**) Term: **15 Years**
- (21) Appl. No.: **29/758,427**
- (22) Filed: **Nov. 16, 2020**

FOREIGN PATENT DOCUMENTS

CN 202030212608.7 * 5/2020
 JP D2020-9952 * 5/2020
 JP D2020-1677854 * 5/2020

(30) **Foreign Application Priority Data**

May 21, 2020 (JP) 2020-009952 D

- (51) **LOC (14) Cl.** **22-05**
- (52) **U.S. Cl.**
USPC **D22/141**
- (58) **Field of Classification Search**
USPC D22/137-141
CPC A01K 89/00; A01K 89/01; A01K 81/00;
A01K 89/06; A01K 89/015; A01K
89/016; F41B 5/1484
See application file for complete search history.

OTHER PUBLICATIONS

Justreleased2018, Published Mar. 12, 2018 [online], Retrieved from internet, [retrieved Sep. 14, 2019]. Retrieved from internet, <https://www.youtube.com/watch?v=1GRM4iwgZtg>(Date:2022)(Year: 2018).*
 (Continued)

Primary Examiner — Christian P. McLean
Assistant Examiner — Kristopher Michael Blechschmidt
 (74) *Attorney, Agent, or Firm* — K&L Gates LLP

(56) **References Cited**

U.S. PATENT DOCUMENTS

D505,991 S * 6/2005 Iwabuchi D22/141
 D595,386 S * 6/2009 Nago D22/141
 D627,417 S * 11/2010 Nago D22/141
 D685,055 S * 6/2013 Deguchi D22/141
 D716,413 S * 10/2014 Hosono D22/141
 D723,655 S * 3/2015 Deguchi D22/141
 9,314,007 B2 * 4/2016 Tsutsumi A01K 89/015
 D767,086 S * 9/2016 Nago D22/141
 D776,232 S * 1/2017 Shimizu D22/141
 D776,785 S * 1/2017 Nagai D22/141
 D812,713 S * 3/2018 Horie D22/141

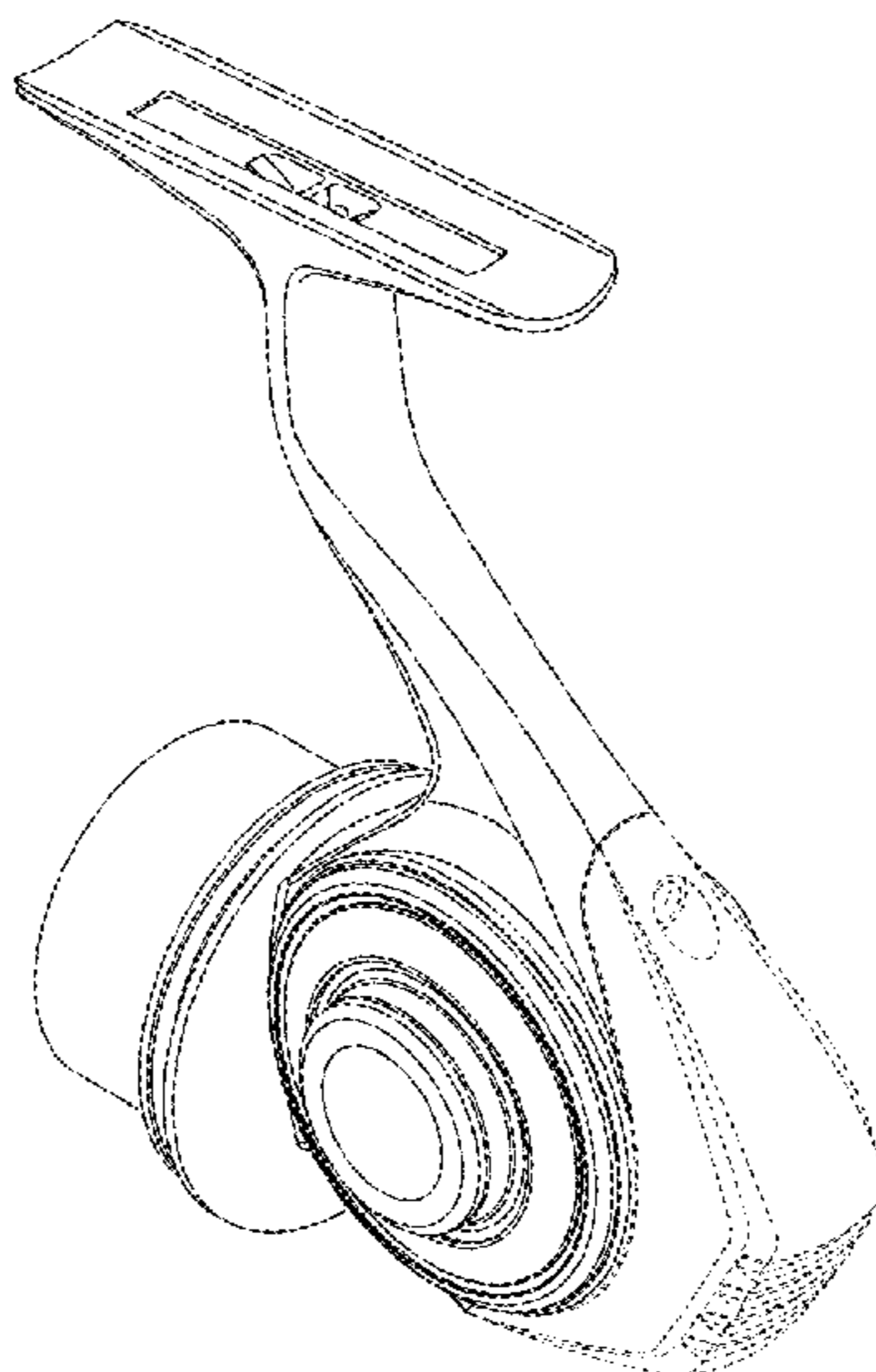
(57) **CLAIM**

The ornamental design for a reel body of fishing reel, as shown and described.

DESCRIPTION

FIG. 1 is a top, rear, right side perspective view showing our new design;
 FIG. 2 is a right side elevational view thereof;
 FIG. 3 is a left side elevational view thereof;
 FIG. 4 is a front elevational view thereof;
 FIG. 5 is a rear elevational view thereof;
 FIG. 6 is a top plan view thereof;
 FIG. 7 is a bottom plan view thereof; and,
 FIG. 8 is a right side elevational view of the new design with additional environmental structures.
 The broken dashed line is for the purpose of illustrating environmental structure and forms no part of the claimed design.

1 Claim, 8 Drawing Sheets



(56)

References Cited

U.S. PATENT DOCUMENTS

2009/0072065 A1* 3/2009 Saito A01K 89/01
242/223
2014/0077017 A1* 3/2014 Saito A01K 89/01
242/224
2014/0191071 A1* 7/2014 Hiraoka A01K 89/015
242/311

OTHER PUBLICATIONS

Diawa BG MQ, published unknown [online], Retrieved from internet, [retrieved Sep. 14, 2019]. Retrieved from internet, <https://daiwa.us/products/bg-mq> (Date:2022) (Year: 2022).*

RapidIIISaltwaterReel, Published Jun. 1, 2021 [online], Retrieved from internet, [retrieved Sep. 14, 2019]. Retrieved from internet, https://www.amazon.com/dp/B097GF4DMR/ref=sspa_dk_detail_1?pd_rd_i=B097GFPXT7&pd_rd_w=Ae0R0&content (Date:2022) (Year: 2021).*

* cited by examiner

FIG. 1

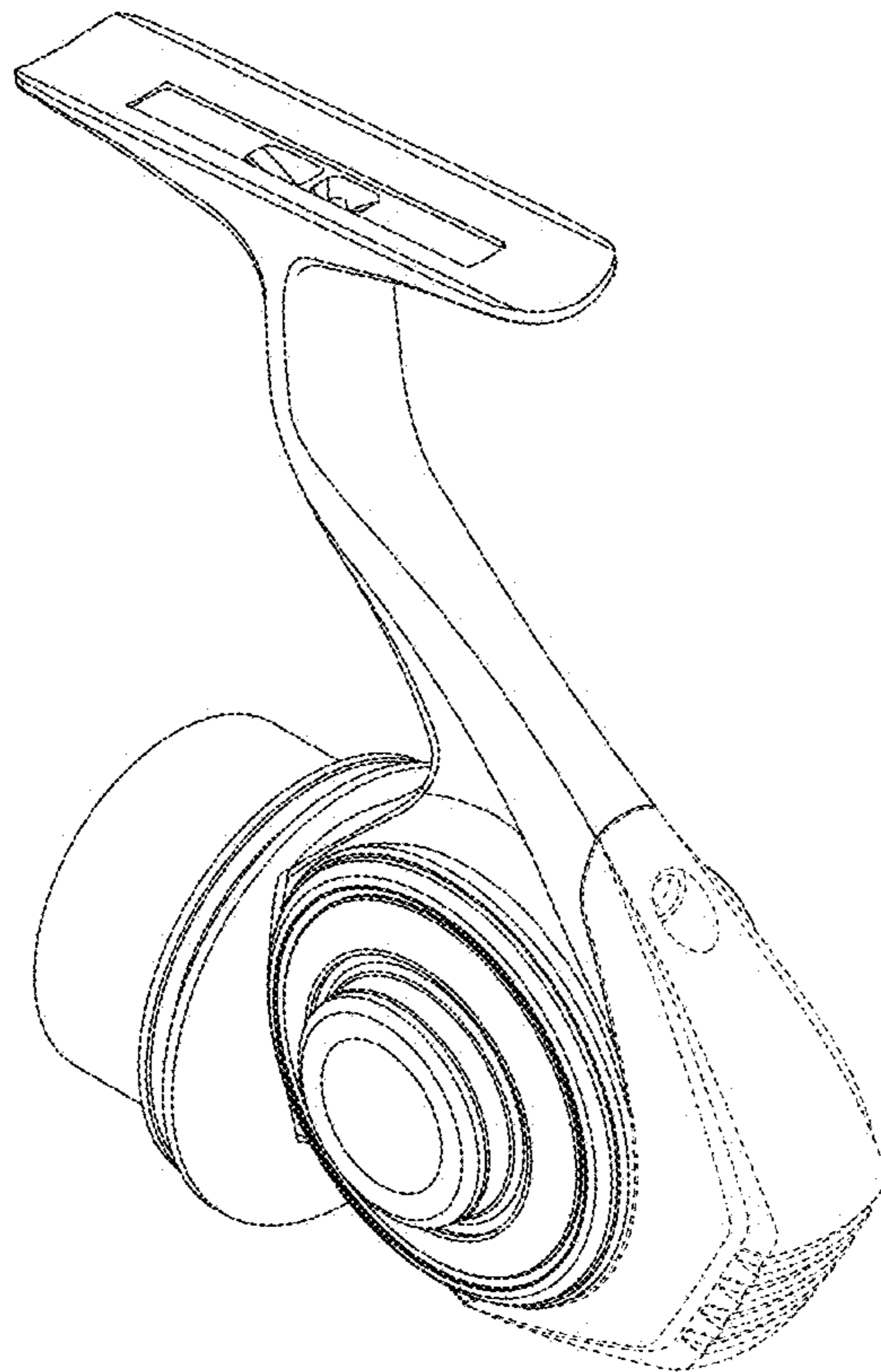


FIG. 2

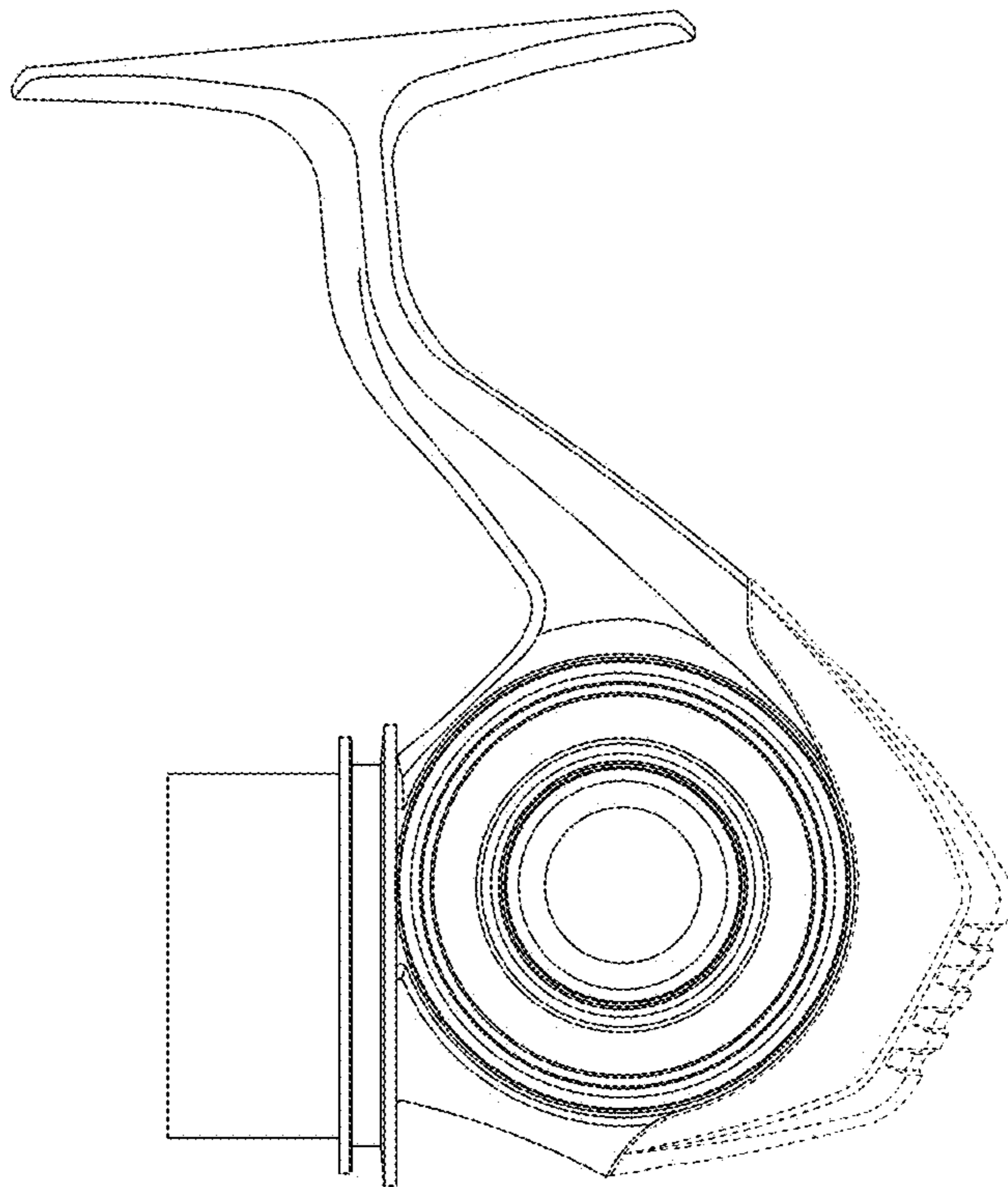


FIG. 3

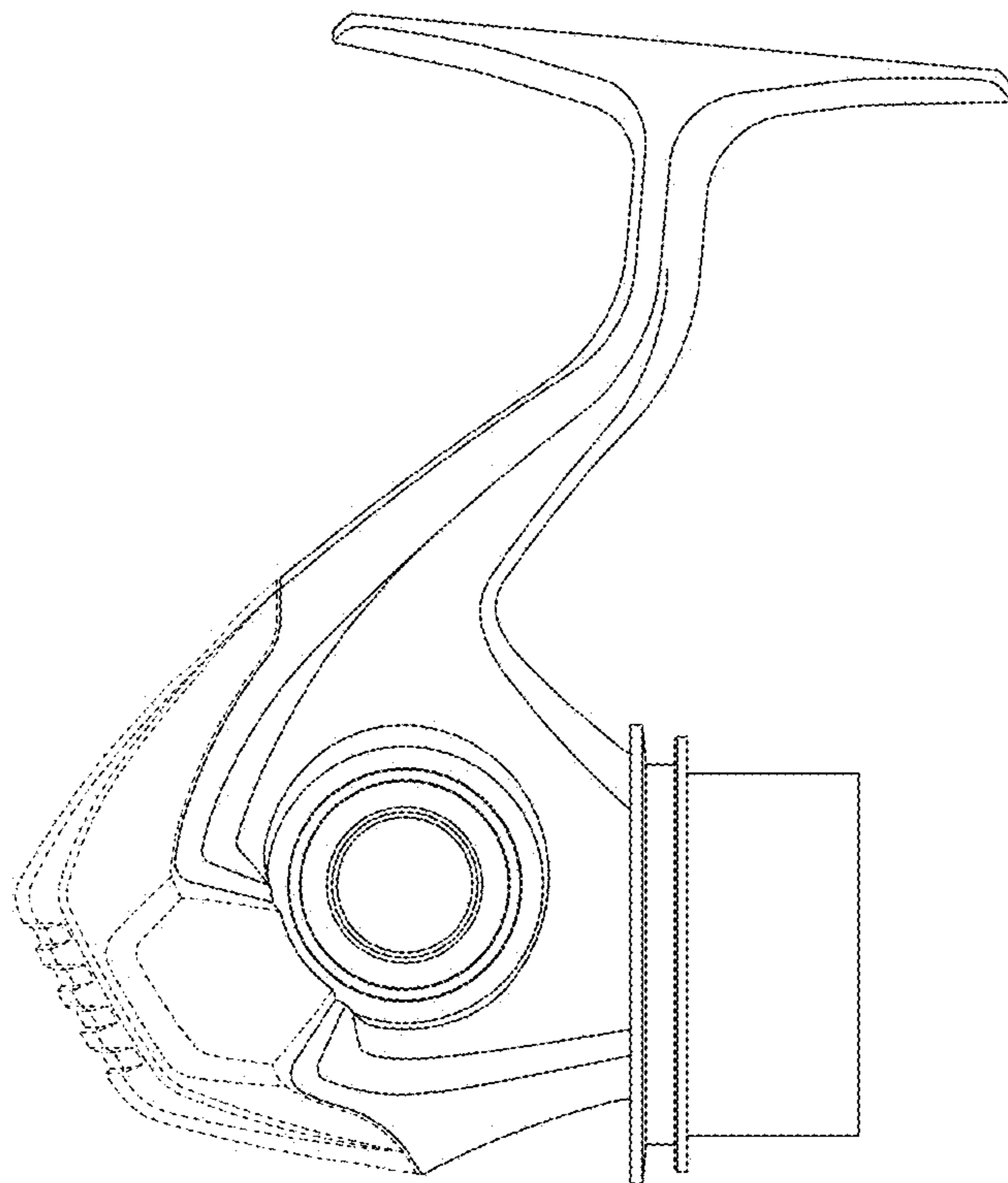


FIG. 4

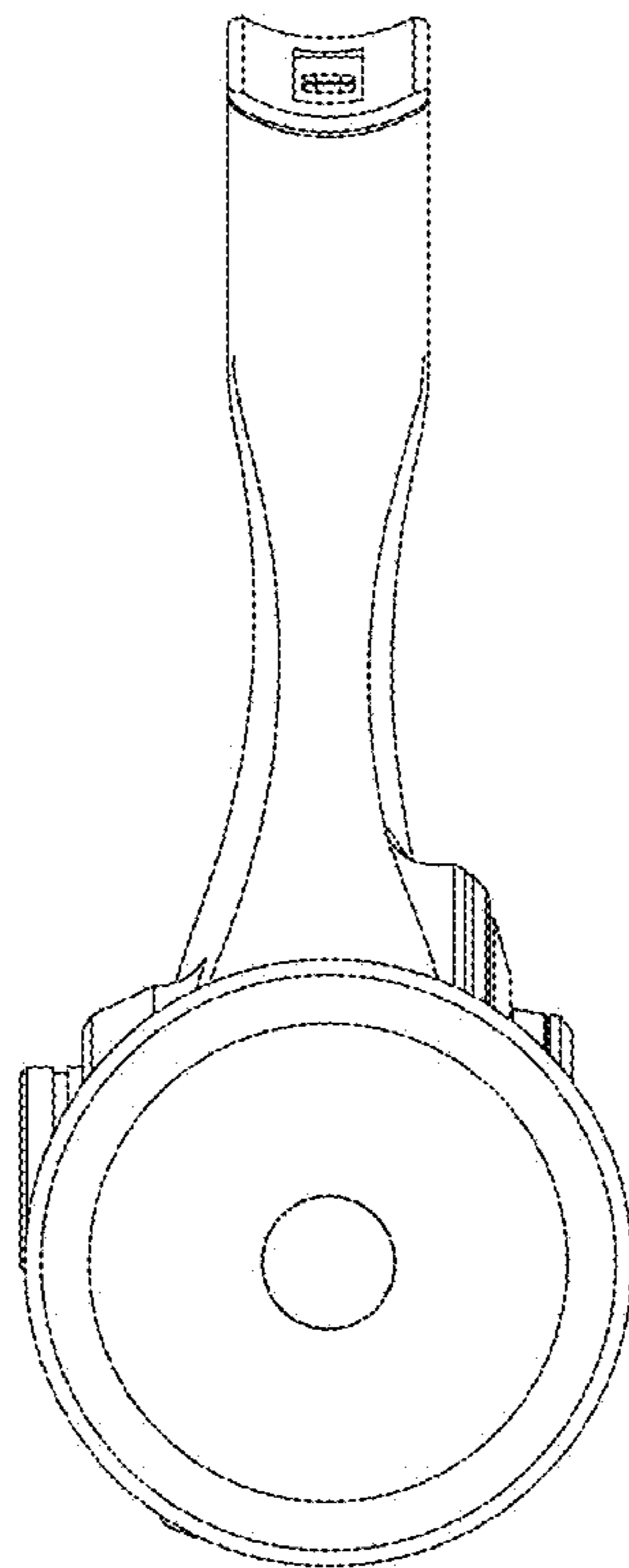


FIG. 5

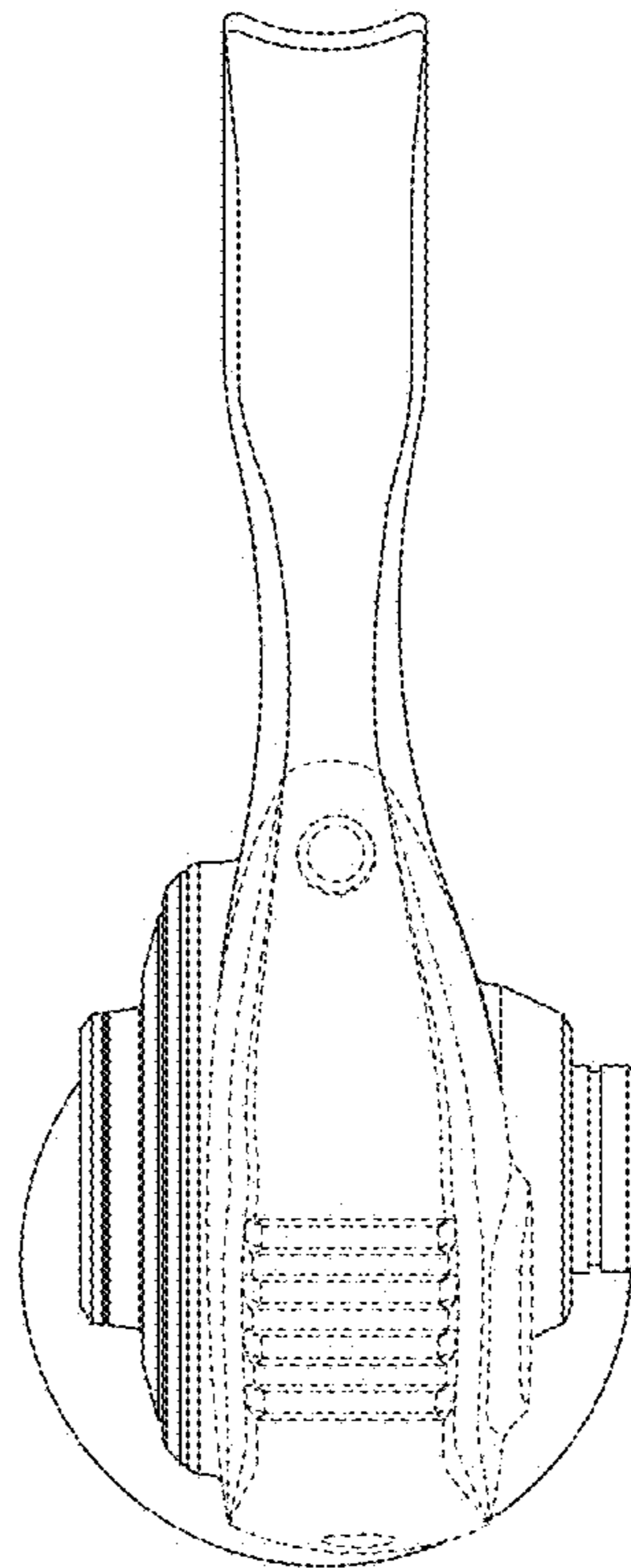


FIG. 6

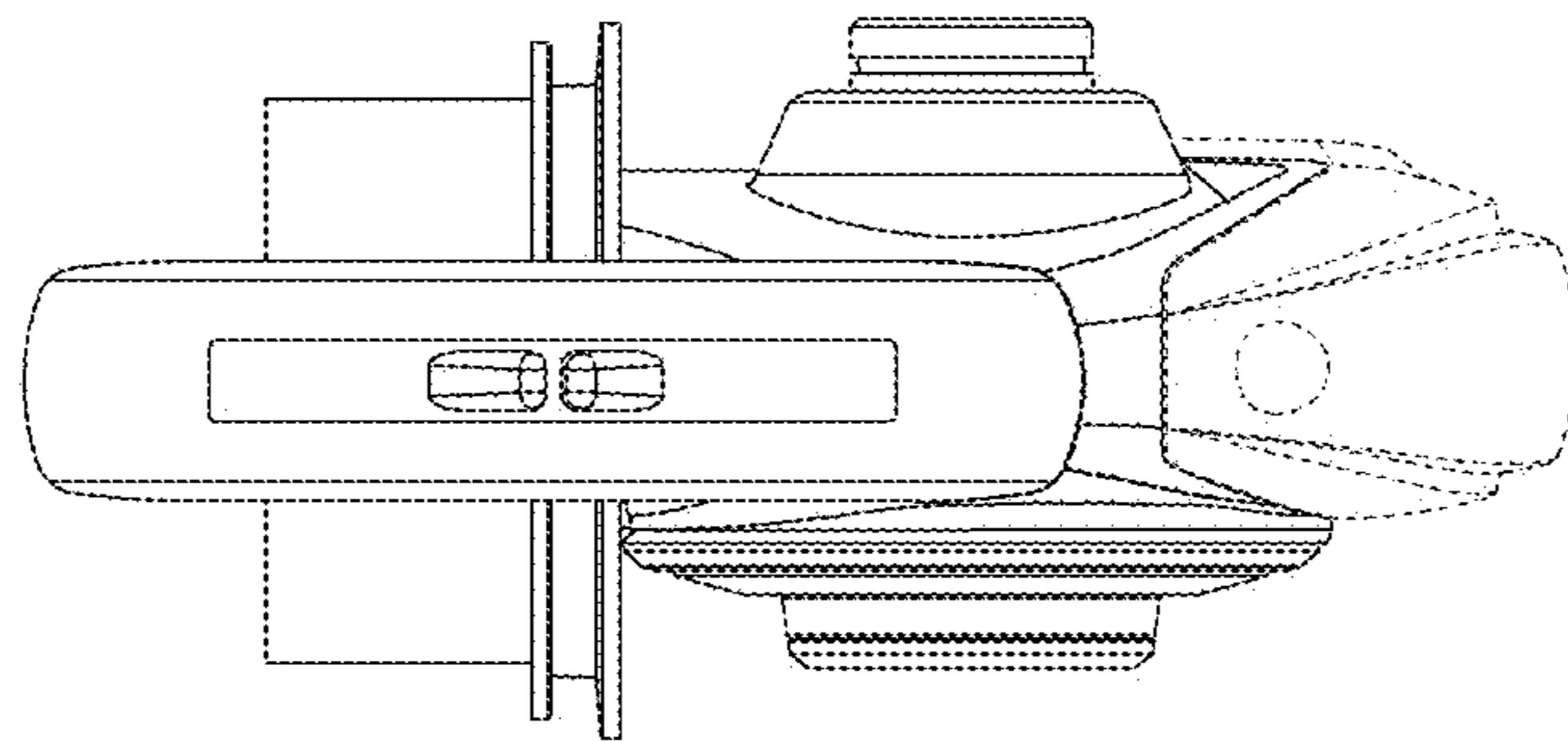


FIG. 7

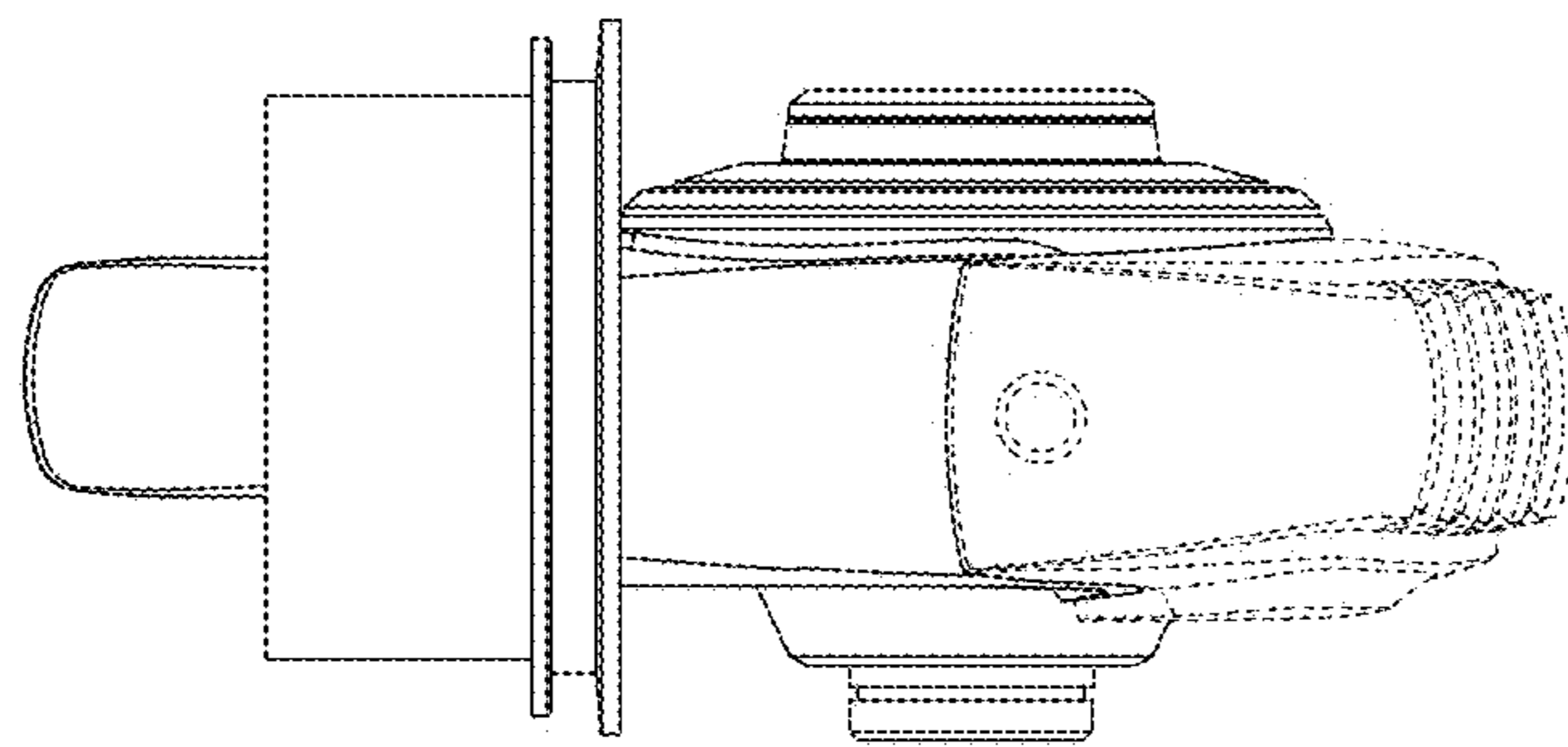


FIG. 8

