



US00D980376S

(12) **United States Design Patent**
Hossack

(10) **Patent No.:** **US D980,376 S**
(45) **Date of Patent:** **** Mar. 7, 2023**

- (54) **PELLET**
- (71) Applicant: **Jennifer R. Hossack**, Orofino, ID (US)
- (72) Inventor: **Michael Douglas Hossack**, Orofino, ID (US)
- (**) Term: **15 Years**
- (21) Appl. No.: **29/838,586**
- (22) Filed: **May 13, 2022**

- 5,171,021 A ‡ 12/1992 Orak A63B 65/00
473/607
- 5,385,101 A ‡ 1/1995 Corzine F42B 12/34
102/509
- 5,471,719 A * 12/1995 Sawyers F42B 6/10
102/508
- D435,626 S * 12/2000 Benini D22/100
- D435,887 S * 1/2001 Benini D22/100
- D436,154 S * 1/2001 Benini D22/100
- 6,244,186 B1 ‡ 6/2001 Pichard F42B 6/10
102/501
- 6,526,893 B2 ‡ 3/2003 May F42B 6/10
102/508

(Continued)

Related U.S. Application Data

- (63) Continuation-in-part of application No. 29/651,548, filed on Dec. 13, 2018, now Pat. No. Des. 955,526.
- (51) **LOC (14) Cl.** **22-03**
- (52) **U.S. Cl.**
USPC **D22/116**
- (58) **Field of Classification Search**
USPC D22/115–116
CPC .. F42B 10/24; F42B 5/02; F42B 12/74; F42B
14/02
See application file for complete search history.

References Cited

- (56) **U.S. PATENT DOCUMENTS**
- 517,560 A * 4/1894 Ashley F42B 10/30
102/398
- 2,982,550 A ‡ 5/1961 Francis F42B 6/10
473/569
- 3,311,962 A * 4/1967 Burns, Jr. F42B 12/78
86/55
- D235,315 S ‡ 6/1975 Kotuby D9/448
- 4,136,616 A * 1/1979 Schirneker F42B 5/02
102/510
- 4,251,079 A ‡ 2/1981 Earl F42B 6/10
473/569
- 5,101,732 A * 4/1992 Schluckebier F42B 12/34
102/514

OTHER PUBLICATIONS

“35 Caliber (.357) Air Boss Ammo (Air Gun Pellet) Big Bore Air Rifle Pellets” [online]. alcobullets.com. [Retrieved on Dec. 12, 2022]. Retrieved from the Internet: <<https://www.alcobullets.com/shop/pellets/35-caliber-357-air-boss-ammo-air-gun-pellet-big-bore-air-rifle-pellets/>>.*

(Continued)

Primary Examiner — Mojtaba Tehrani
(74) *Attorney, Agent, or Firm* — Lee & Hayes, P.C.

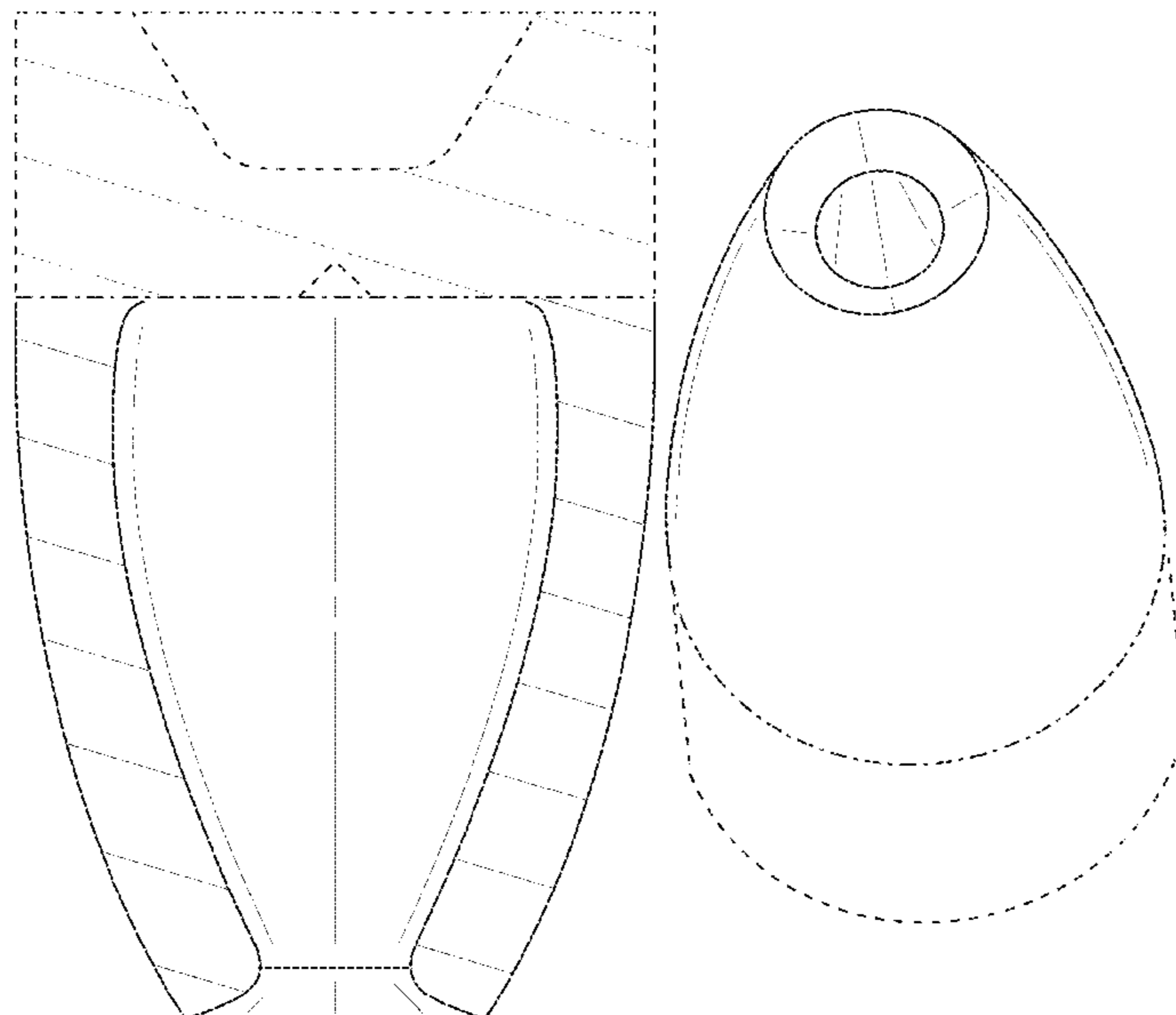
(57) **CLAIM**

The ornamental design for a pellet, as shown and described.

DESCRIPTION

FIG. 1 is a front perspective view of a pellet;
FIG. 2 is a cross-sectional view thereof taken along line 2-2 shown in FIG. 1;
FIG. 3 is a top, front perspective view thereof; and,
FIG. 4 is a bottom, front perspective view thereof.
The dashed lines depict portions of the pellet that form no part of the claimed design. The dot-dashed broken lines represent boundaries of the claimed pellet and form no part of the claimed design.

1 Claim, 4 Drawing Sheets



(56)

References Cited

U.S. PATENT DOCUMENTS

D518,727 S * 4/2006 Haley D9/680
 D532,296 S ‡ 11/2006 Beaver D9/445
 D632,357 S ‡ 2/2011 Dixon D22/116
 7,975,590 B2 ‡ 7/2011 Salva F42B 33/001
 86/54
 8,726,894 B2 ‡ 5/2014 Carlson F41B 11/55
 124/66
 D713,487 S * 9/2014 Stock, Jr. D22/115
 D717,909 S * 11/2014 Thrift D22/116
 D724,690 S ‡ 3/2015 Carlson D22/109
 D726,281 S * 4/2015 Powers, Jr. D22/115
 D732,635 S ‡ 6/2015 Riley D22/116
 D733,252 S ‡ 6/2015 Burczynski D22/115
 D733,834 S * 7/2015 Burczynski D22/115
 D733,835 S ‡ 7/2015 Burczynski D22/115
 D733,836 S ‡ 7/2015 Burczynski D22/115
 D733,837 S ‡ 7/2015 Burczynski D22/115
 D734,419 S ‡ 7/2015 Burczynski D22/115
 D735,289 S ‡ 7/2015 Burczynski D22/115
 9,188,414 B2 * 11/2015 Burczynski F42B 12/78
 9,194,676 B1 ‡ 11/2015 Masinelli F42B 5/025
 D748,220 S ‡ 1/2016 Fricke D22/116
 D751,166 S ‡ 3/2016 Seecamp D22/116
 D752,174 S ‡ 3/2016 Schultz D22/116
 D752,702 S * 3/2016 Arnedo Vera D22/116
 D752,703 S * 3/2016 Arnedo Vera D22/116
 D753,258 S * 4/2016 Arnedo Vera D22/116
 D764,624 S * 8/2016 Masinelli D22/116
 D765,215 S * 8/2016 Gibson D22/115
 D773,008 S ‡ 11/2016 Meyer D22/116
 D778,392 S * 2/2017 Smith D22/116
 D780,282 S ‡ 2/2017 Riley D22/116
 D781,993 S ‡ 3/2017 Schultz D22/116
 D782,601 S ‡ 3/2017 Riley D22/116
 D782,602 S ‡ 3/2017 Riley D22/116
 D821,536 S * 6/2018 Christiansen D22/116
 D845,427 S * 4/2019 Frank D22/116
 D855,141 S * 7/2019 Couch D22/116
 D858,682 S ‡ 9/2019 Couch D22/116
 D877,848 S * 3/2020 Kedairy D22/116
 D882,022 S * 4/2020 Burrow D22/116
 D882,024 S ‡ 4/2020 Burrow D22/116
 D882,029 S * 4/2020 Burrow D22/116
 D882,031 S * 4/2020 Burrow D22/116
 D884,821 S * 5/2020 Peterson D22/116

D885,516 S * 5/2020 Masinelli D22/116
 D891,567 S ‡ 7/2020 Burrow D22/116
 D891,568 S ‡ 7/2020 Burrow D22/116
 D891,569 S ‡ 7/2020 Burrow D22/116
 D893,668 S * 8/2020 Burrow D22/116
 D897,484 S * 9/2020 Masinelli D22/116
 D898,861 S * 10/2020 Benini D22/116
 D903,038 S * 11/2020 Burrow D22/116
 D903,039 S * 11/2020 Burrow D22/116
 D913,403 S * 3/2021 Burrow D22/116
 11,181,352 B1 * 11/2021 Smitchko F42B 14/02
 D937,962 S ‡ 12/2021 Ruegsegger D22/116
 D955,526 S * 6/2022 Hossack D22/116
 2017/0219325 A1 * 8/2017 Smith F42B 12/74

OTHER PUBLICATIONS

“Professional Big Bore Airguns (PBBA) 45” [online]. mrhollowpoint.com. [Retrieved on Apr. 9, 2022]. Retrieved from the Internet: <http://www.mrhollowpoint.com/6764.html>. ‡
 “265 gr HP-FB, 45 Cal” [online]. nienspecialtyammo.com. [Retrieved on Apr. 9, 2022]. Retrieved from the Internet: <https://nienspecialtyammo.com/products/265-grains-hollow-point>. ‡
 “235 gr HP-DB, 498/495 Cal” [online]. nienspecialtyammo.com. [Retrieved on Apr. 9, 2022]. Retrieved from the Internet: <https://nienspecialtyammo.com/products/235-grain-hollow-point>. ‡
 “Do hollowpoint pellets work?” [online]. B.B. Pelletier . [Published Jan. 15, 2007]. Retrieved from the Internet: <https://www.pyramydair.com/blog/2007/01/do-hollowpoint-pellets-work>. ‡
 235 gr HP-DB, 498/495 Cal, retrieved Apr. 9, 2022, at <https://nienspecialtyammo.com/products/235-grain-hollow-point>, 6 pgs.
 265 gr HP-FB 45 Cal, retrieved Apr. 9, 2022, at <https://nienspecialtyammo.com/products/265-grains-hollow-point>, 6 pgs.
 Office Action for U.S. Appl. No. 29/651,548, dated Jan. 5, 2022, Hossack, “Pellet ”, 6 Pages.
 Pelletier, “Do hollowpoint pellets work?” [online]. Published Jan. 15, 2007]. Retrieved from the Internet: <https://www.pyramydair.com/blog/2007/01/do-hollowpoint-pellets-work>.
 Professional Big Bore Airguns (PBBA)45", Retrieved Apr. 9, 2022, at <http://www.mrhollowpoint.com/6754html>, 13 pgs.

* cited by examiner

‡ imported from a related application

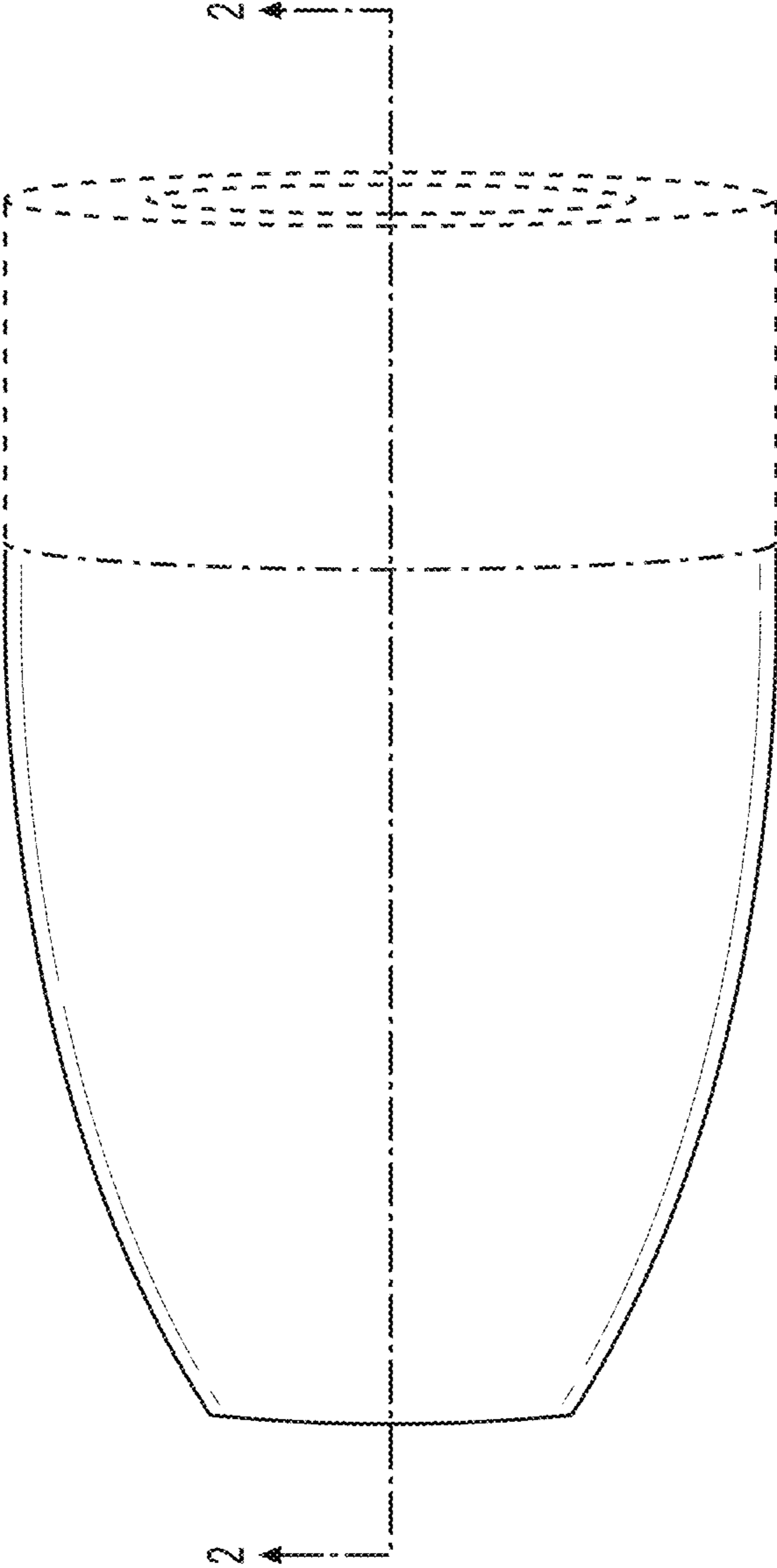


FIG. 1

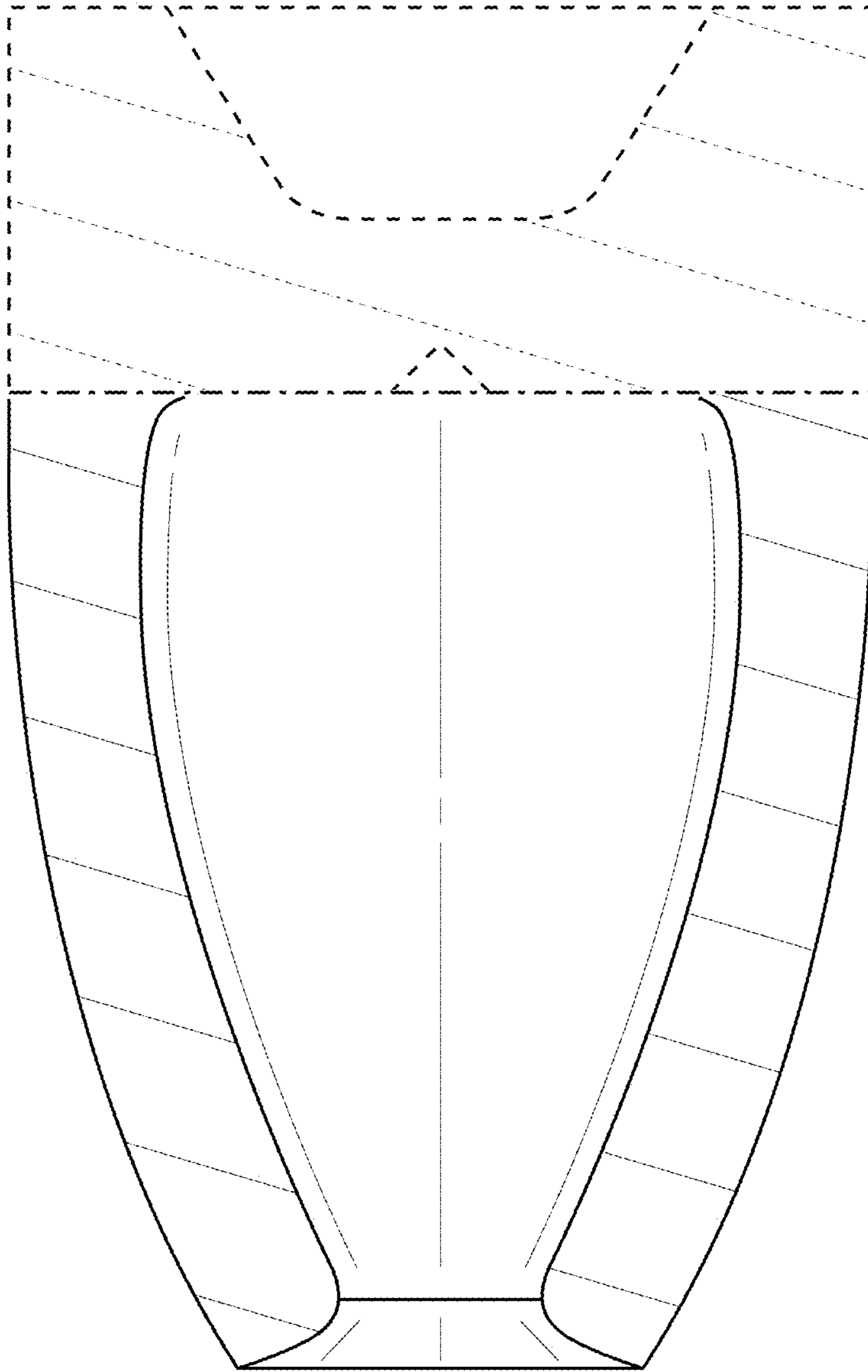


FIG. 2

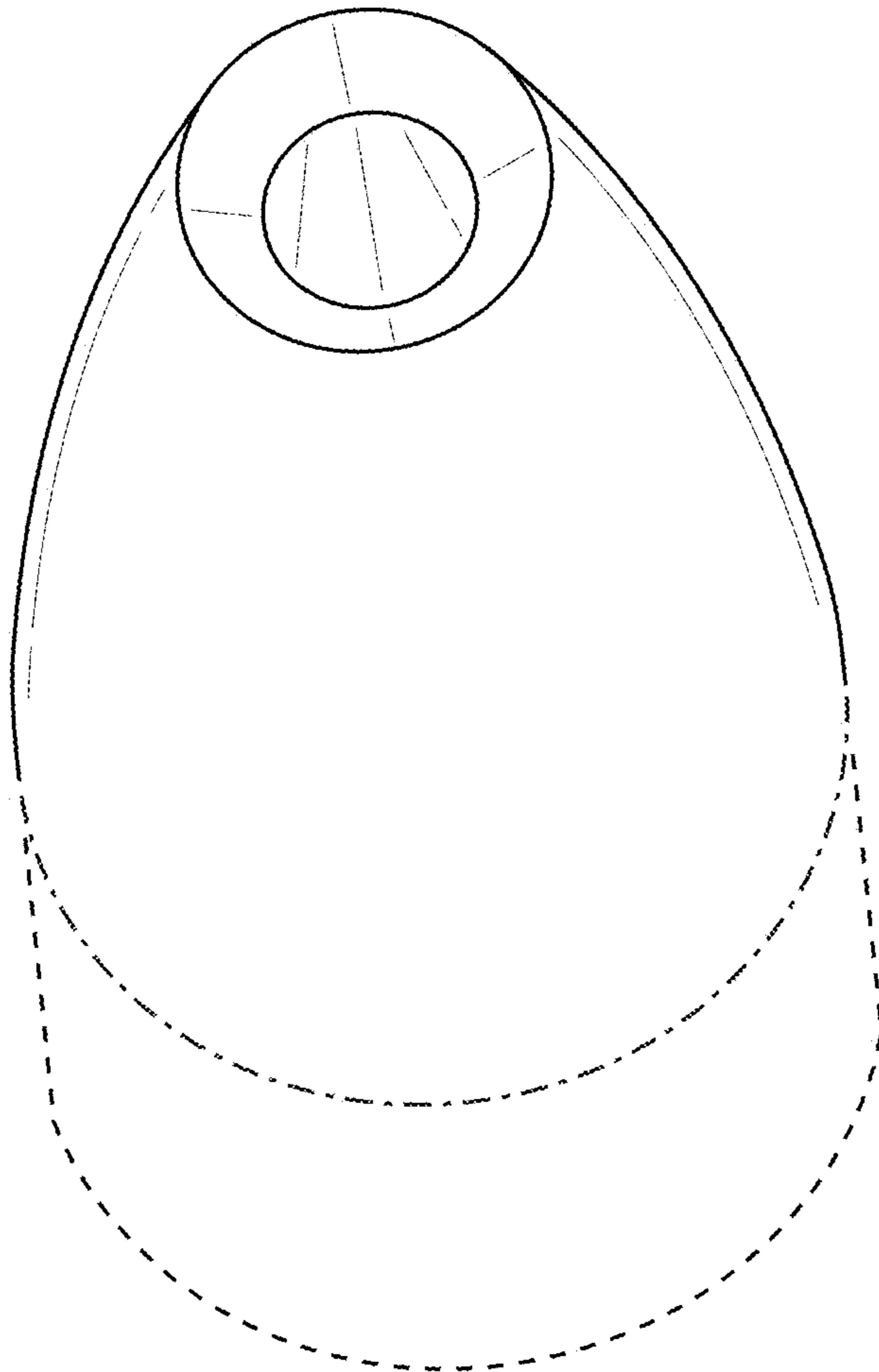


FIG. 3

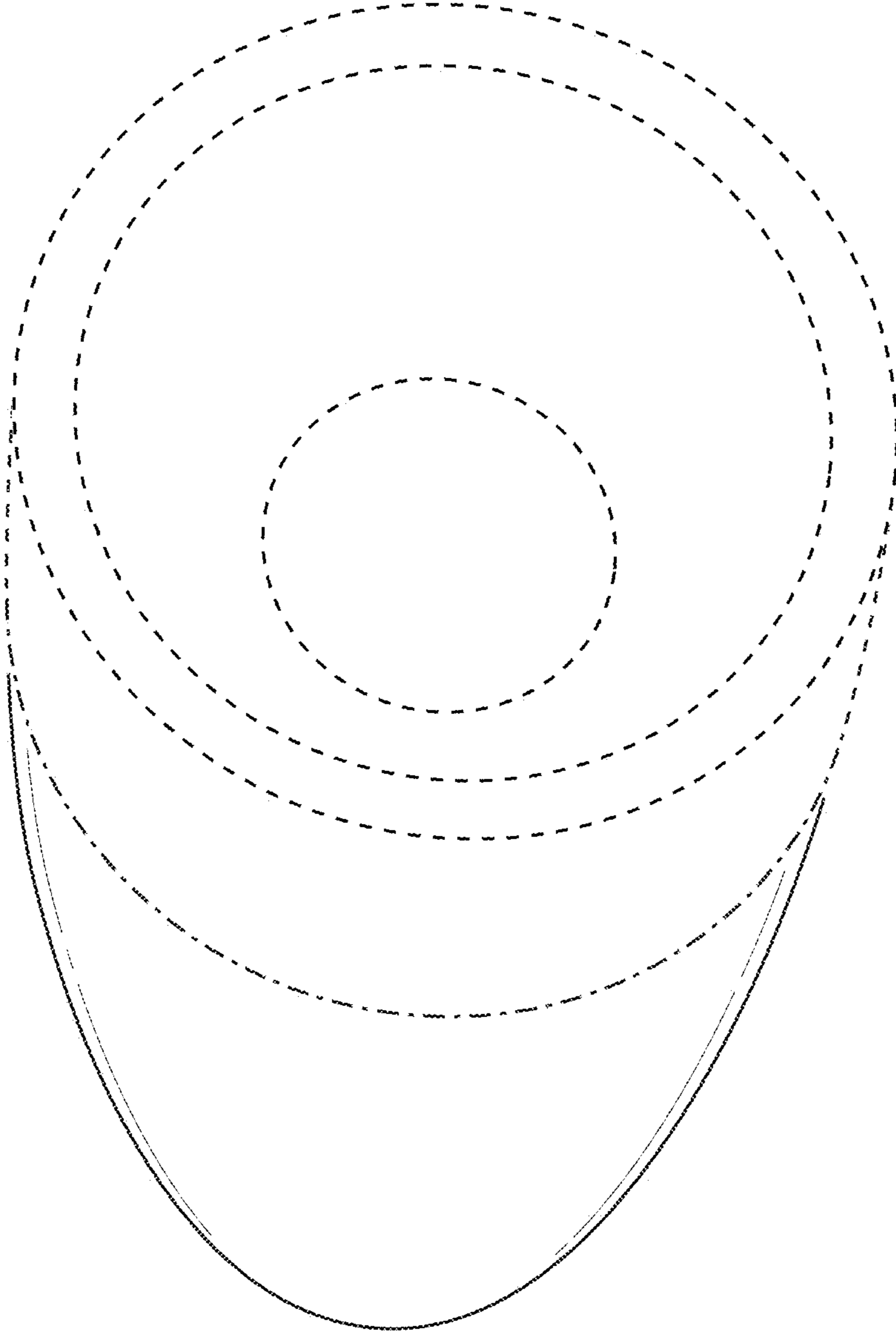


FIG. 4