

US00D980366S

(12) **United States Design Patent**
Barrett et al.

(10) **Patent No.:** **US D980,366 S**
(45) **Date of Patent:** **** Mar. 7, 2023**

(54) **INFLATABLE DEVICE**

(71) Applicant: **FUNBOY, LLC**, Seattle, WA (US)

(72) Inventors: **Blake Miller Barrett**, Seattle, WA (US); **Maxwell Page Barrett**, Seattle, WA (US)

(73) Assignee: **FUNBOY, LLC**, Seattle, WA (US)

(**) Term: **15 Years**

(21) Appl. No.: **29/779,646**

(22) Filed: **Apr. 20, 2021**

(51) **LOC (14) Cl.** **21-03**

(52) **U.S. Cl.**
USPC **D21/803**

(58) **Field of Classification Search**
USPC D21/411, 412, 803, 808, 835-837;
441/30, 40, 130; 446/220; 472/134, 135
CPC B63B 34/52; B63B 34/50; B63B 7/08;
A63B 2225/62
See application file for complete search history.

(56) **References Cited**

U.S. PATENT DOCUMENTS

D423,624 S * 4/2000 Motosko D21/814
6,749,474 B2 * 6/2004 Hsu A47C 15/006
441/131

D504,488 S * 4/2005 Peterson D21/803
D787,618 S * 5/2017 Hsu D21/815
D870,834 S * 12/2019 Hsu D21/814
D958,922 S * 7/2022 Plante D21/801
D965,723 S * 10/2022 Wen D21/803

* cited by examiner

Primary Examiner — Gino Colan

Assistant Examiner — Gregory G McLemore

(74) *Attorney, Agent, or Firm* — Lee & Hayes, P.C.

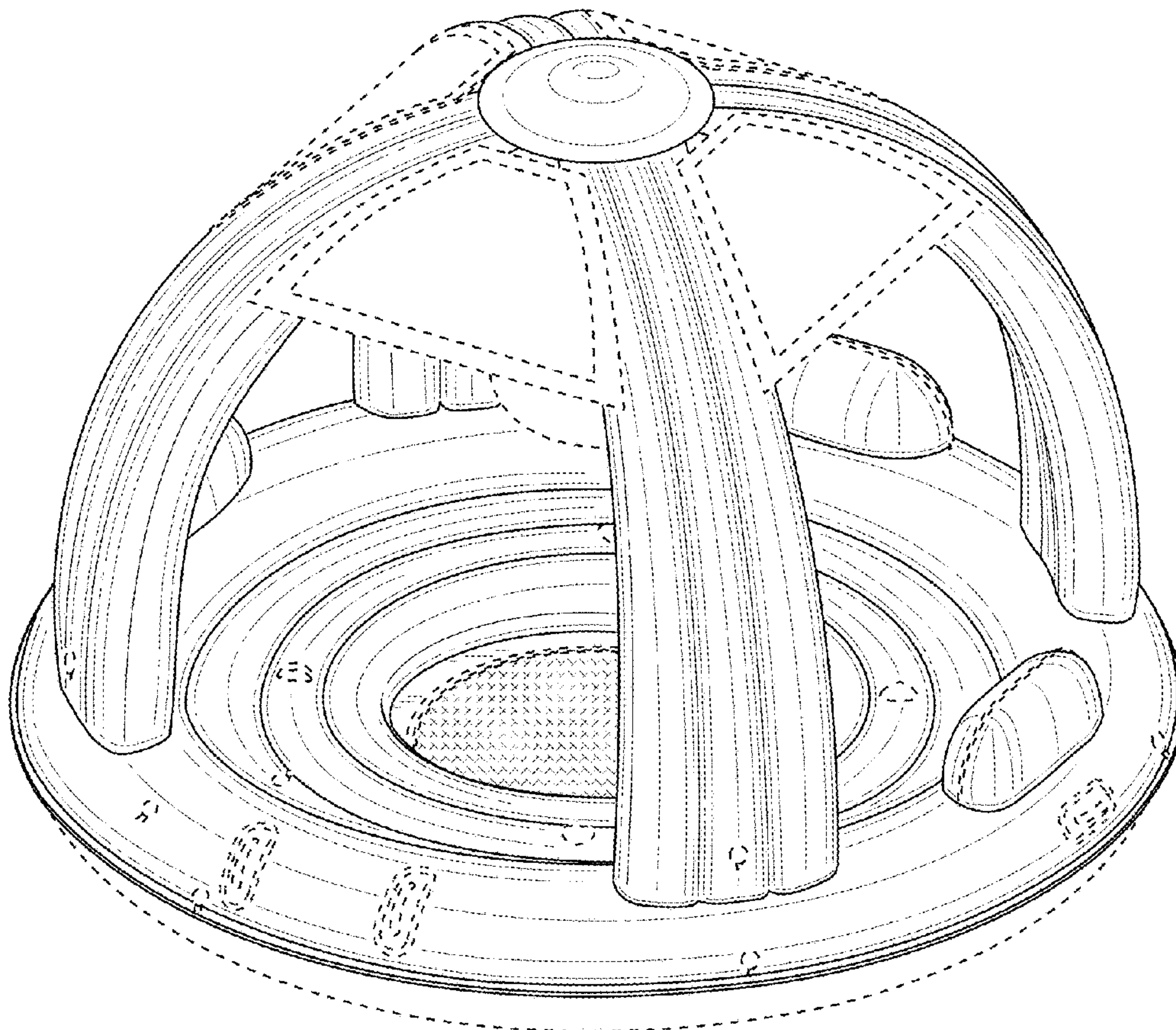
(57) **CLAIM**

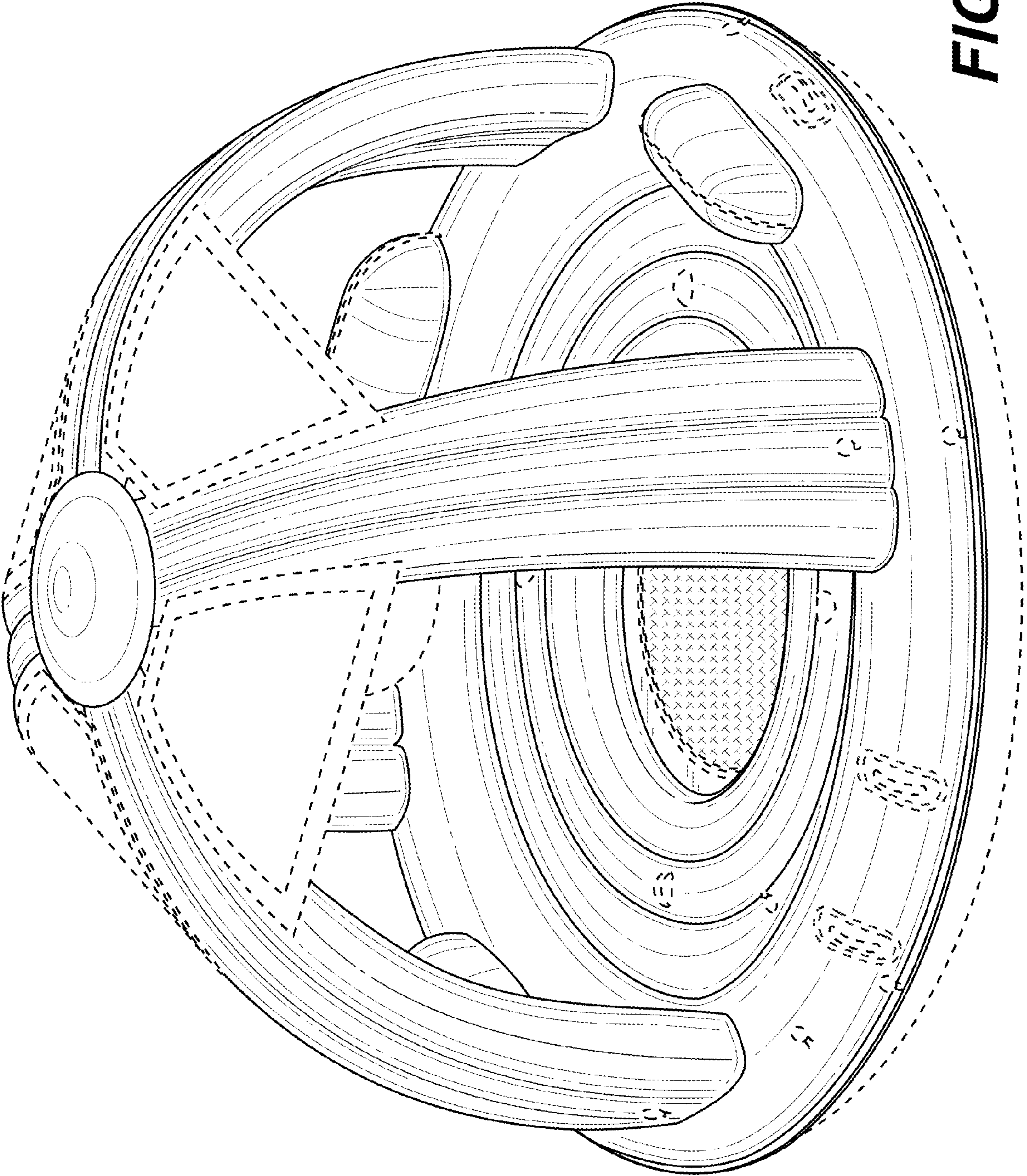
The ornamental design for an inflatable device, as shown and described.

DESCRIPTION

FIG. 1 is a top, front, right-side perspective view of an inflatable device;
FIG. 2 is a back, bottom, left-side perspective view thereof;
FIG. 3 is a front view thereof;
FIG. 4 is a back view thereof;
FIG. 5 is a left-side view thereof;
FIG. 6 is a right-side view thereof;
FIG. 7 is a top view thereof; and,
FIG. 8 is a bottom view thereof.
The dashed broken lines depict portions of the inflatable device that form no part of the claimed design.

1 Claim, 8 Drawing Sheets





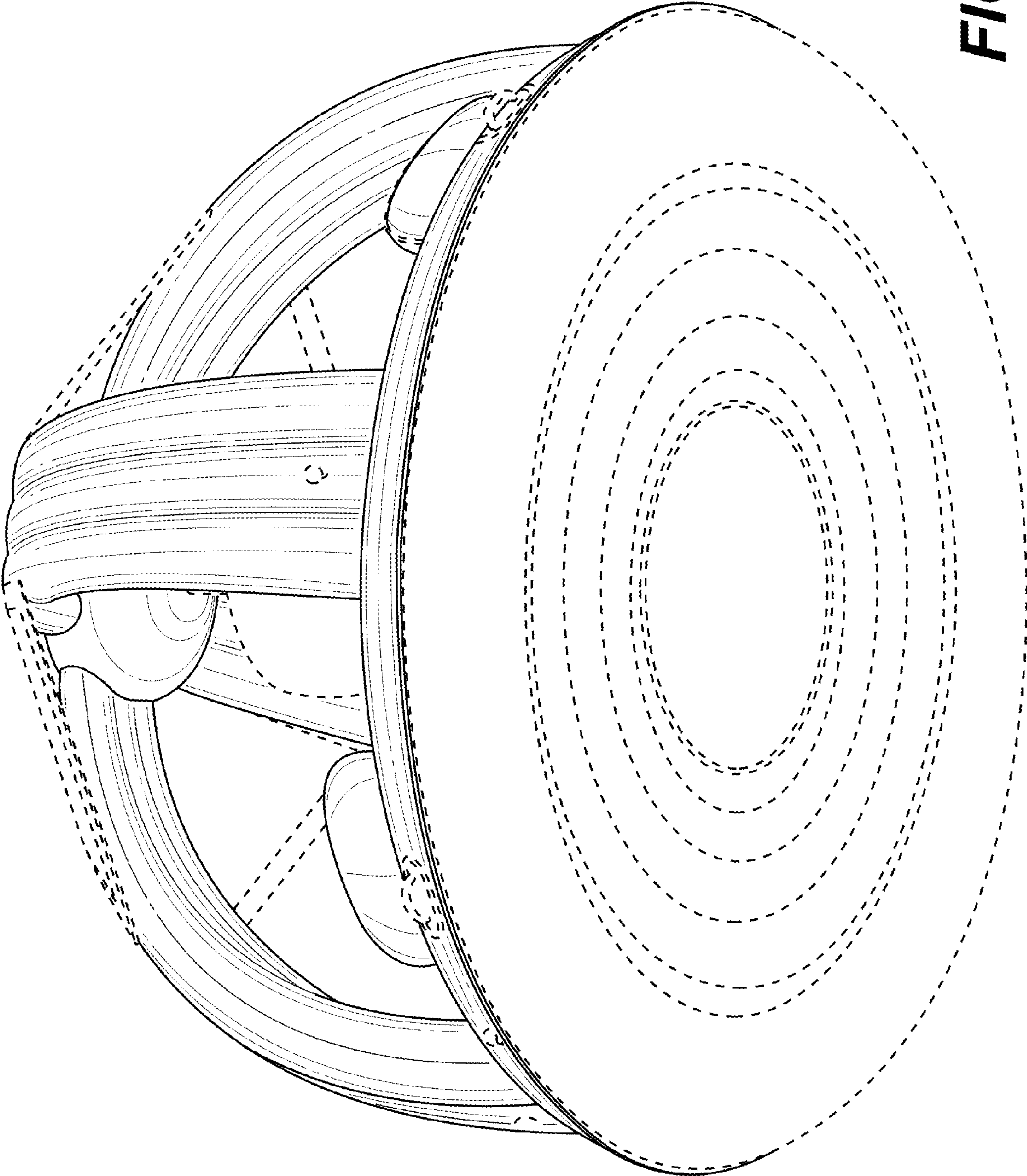


FIG. 2

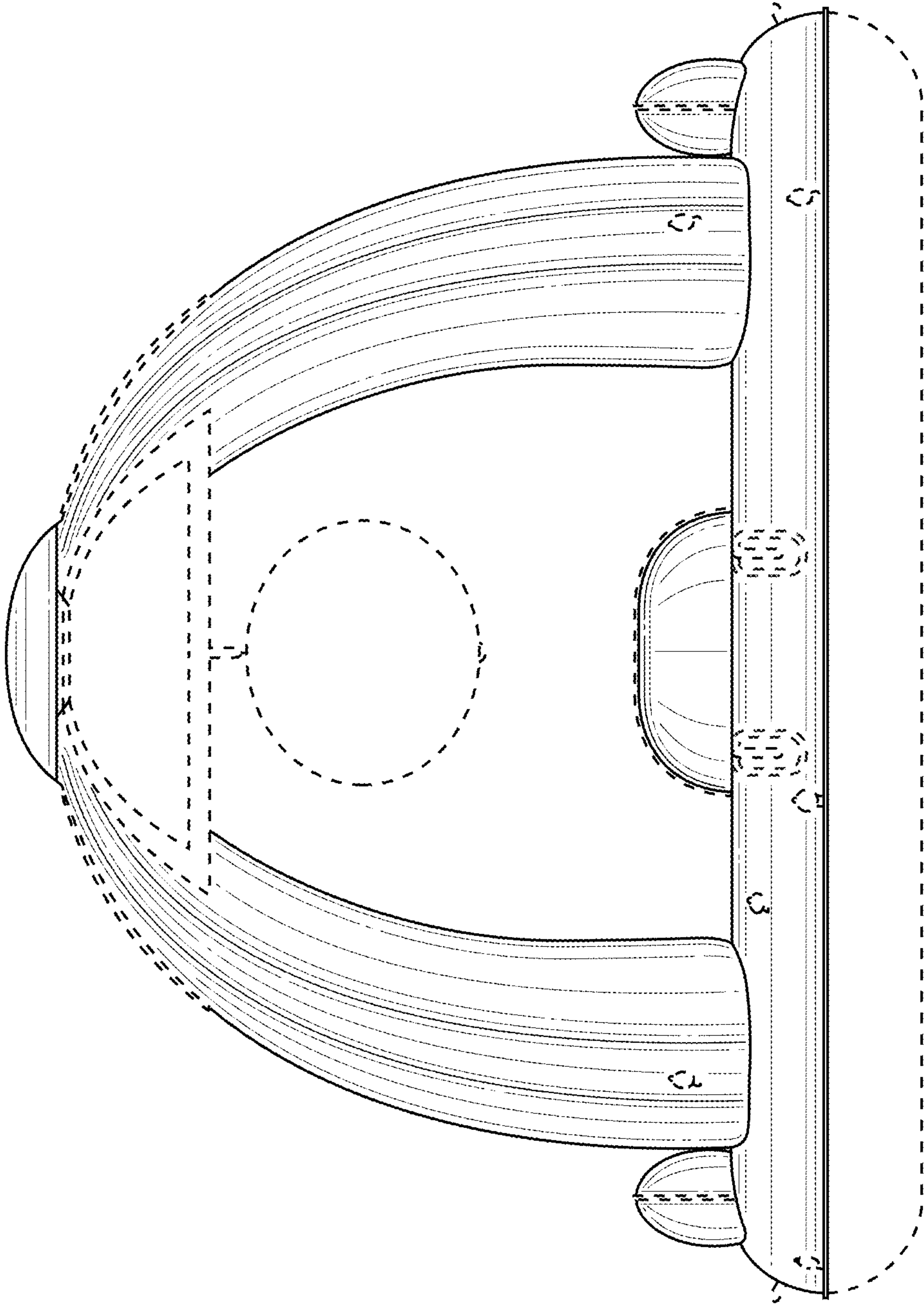


FIG. 3

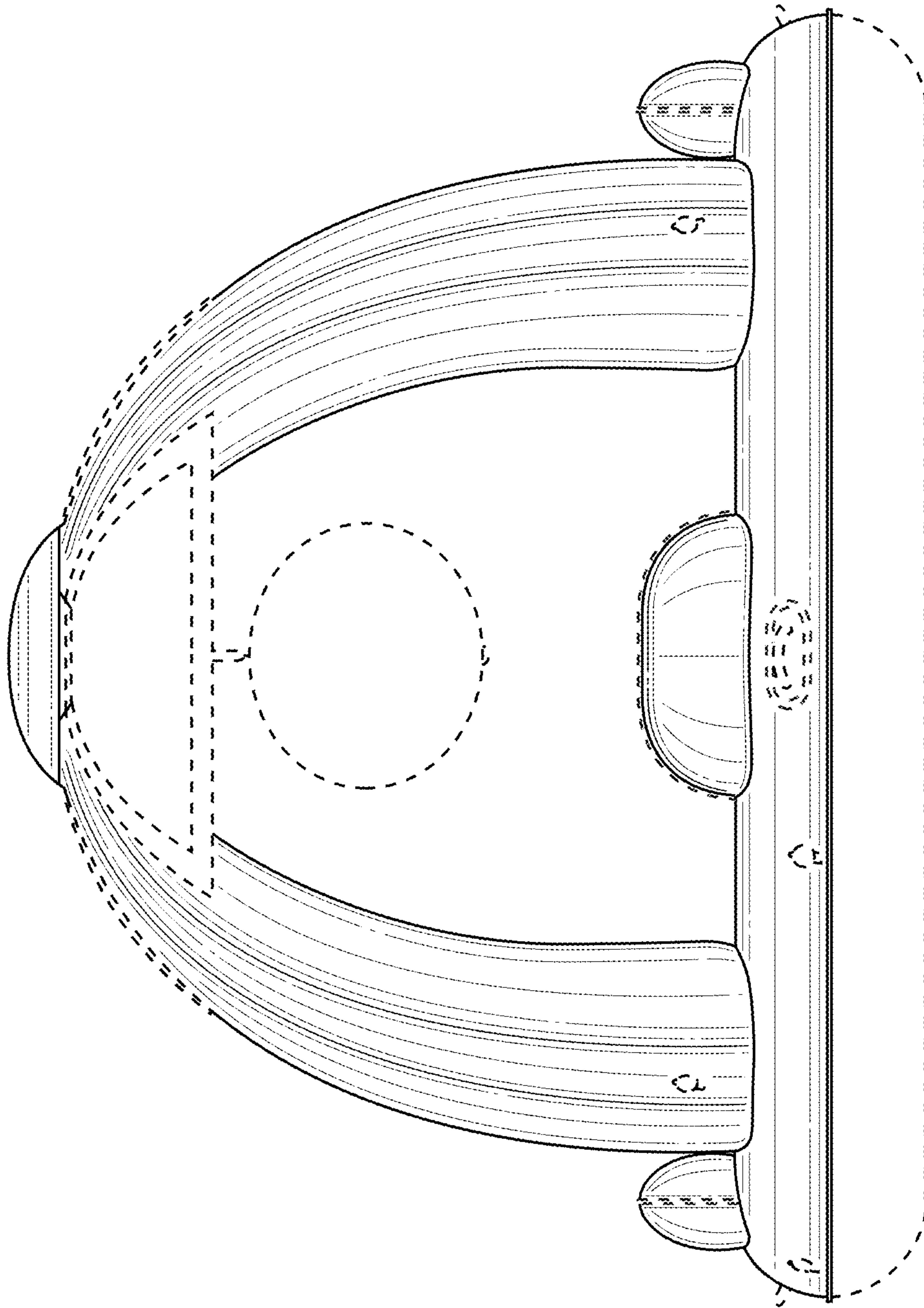


FIG. 4

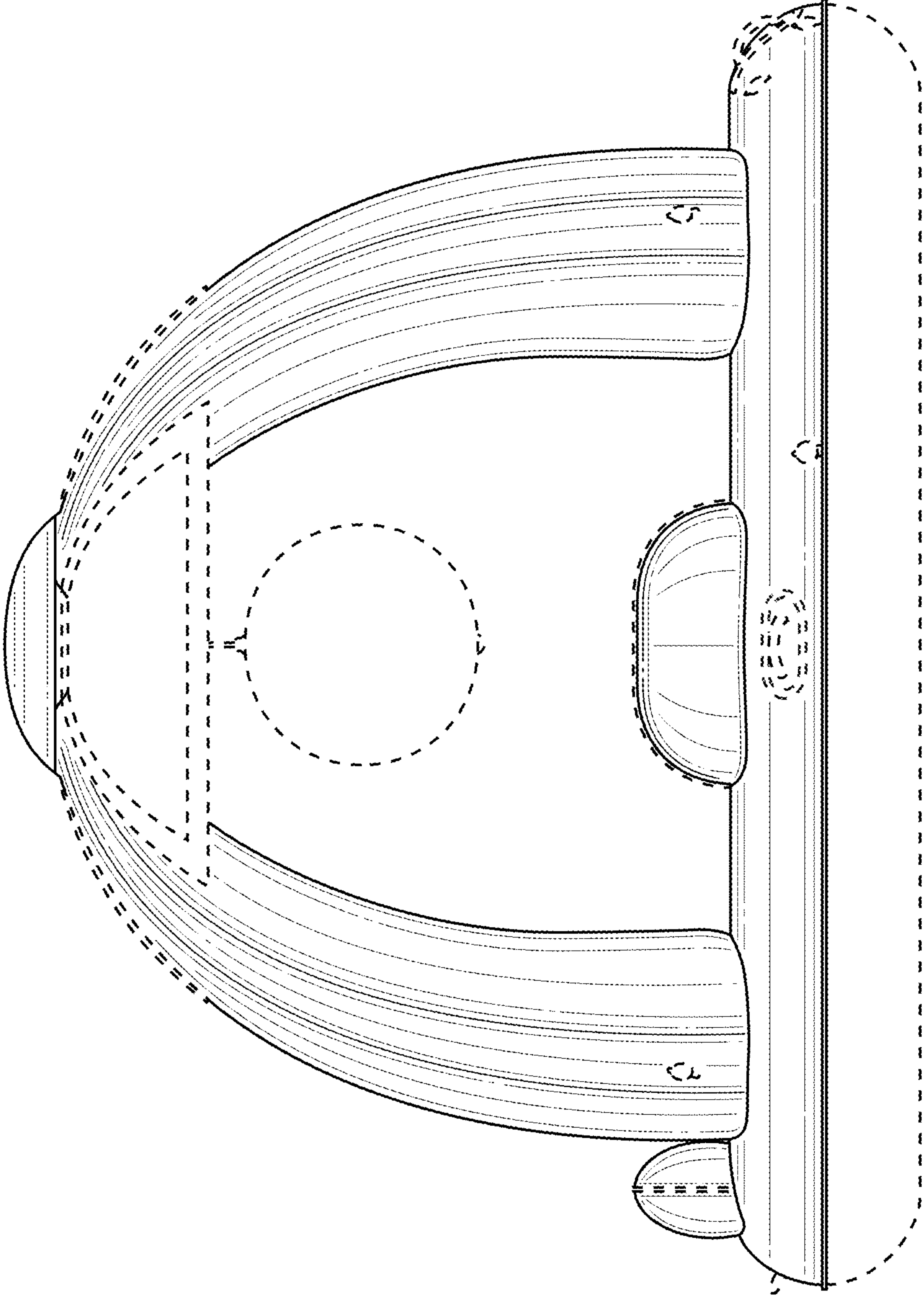


FIG. 5

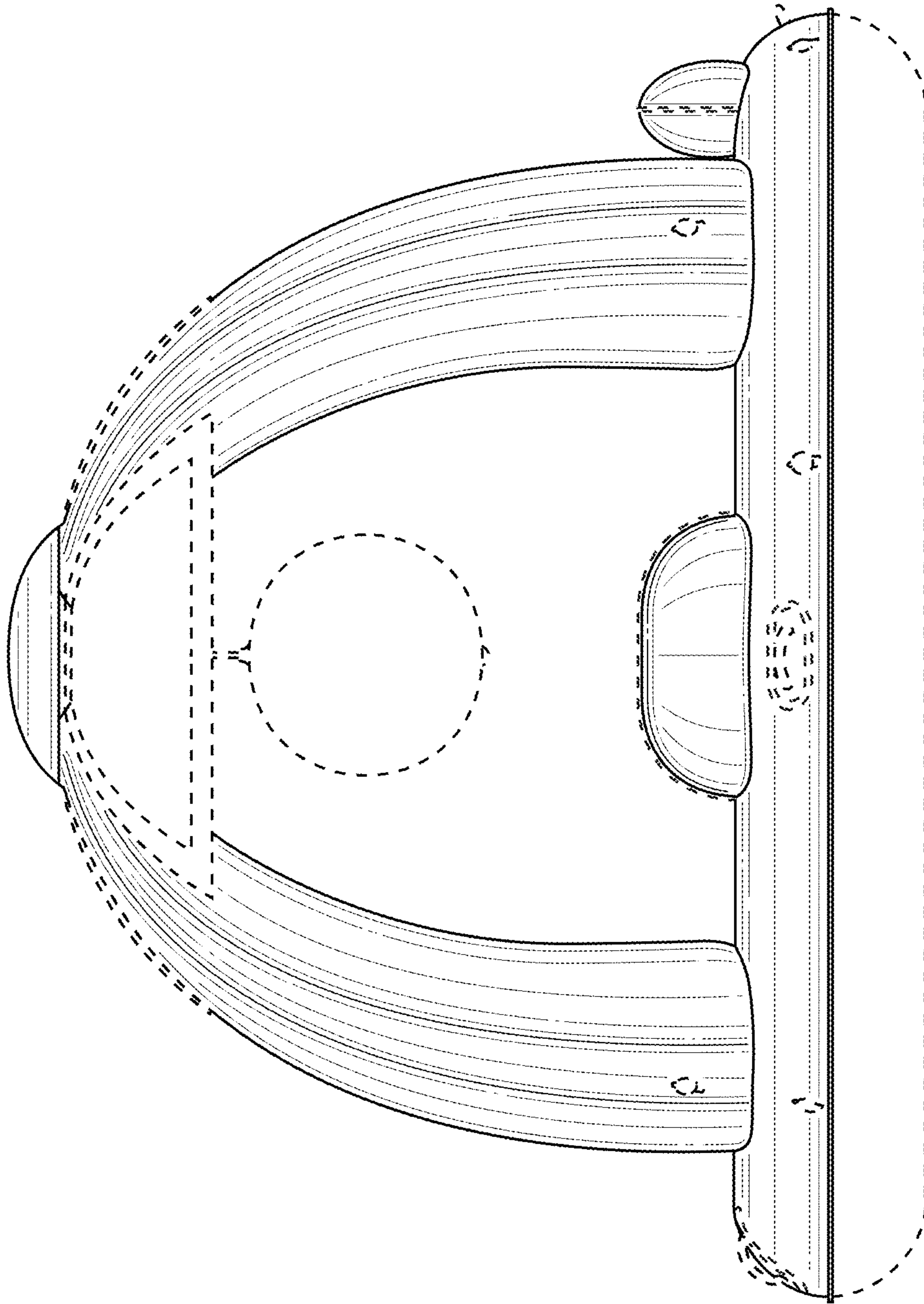


FIG. 6

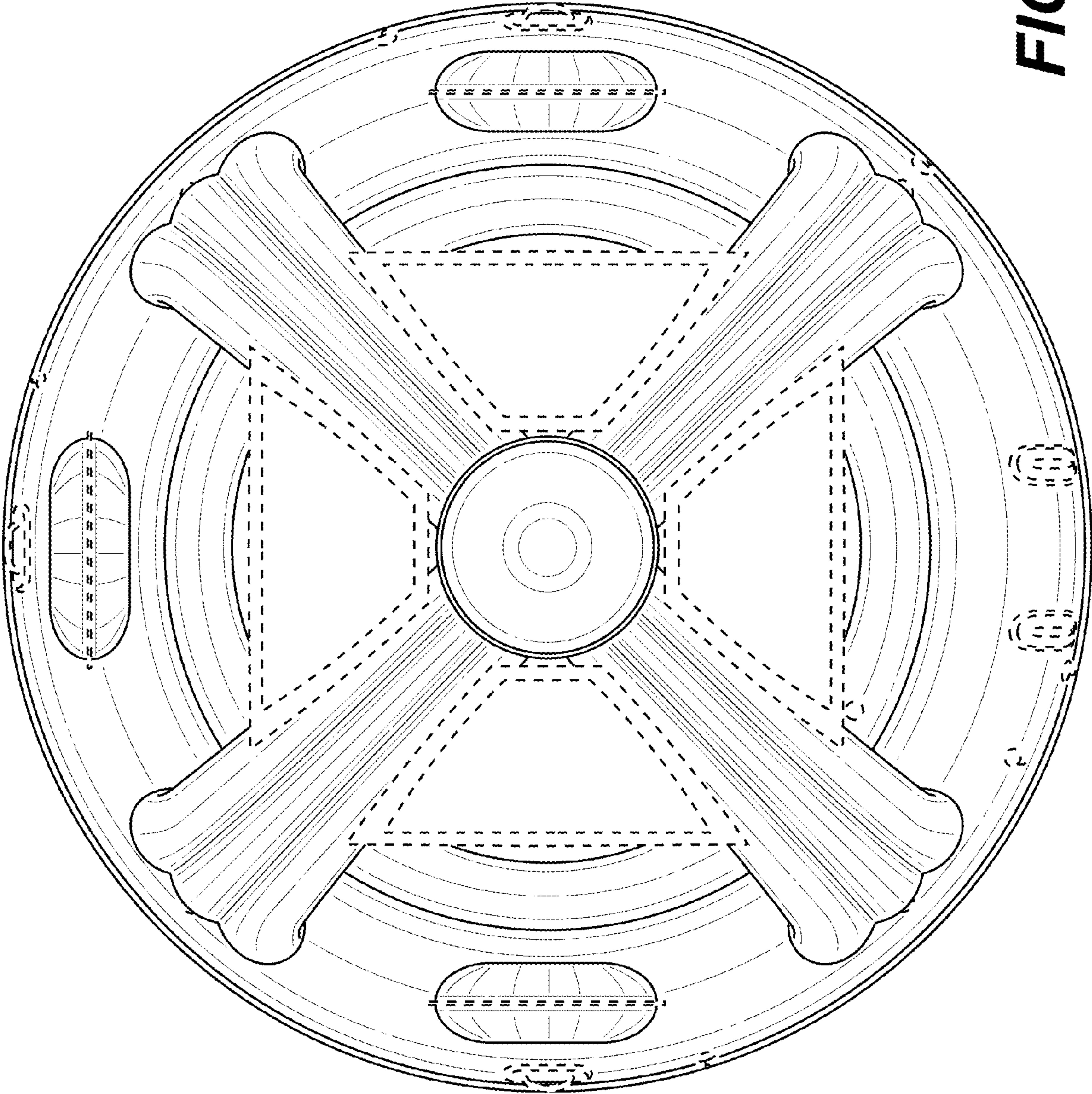


FIG. 7

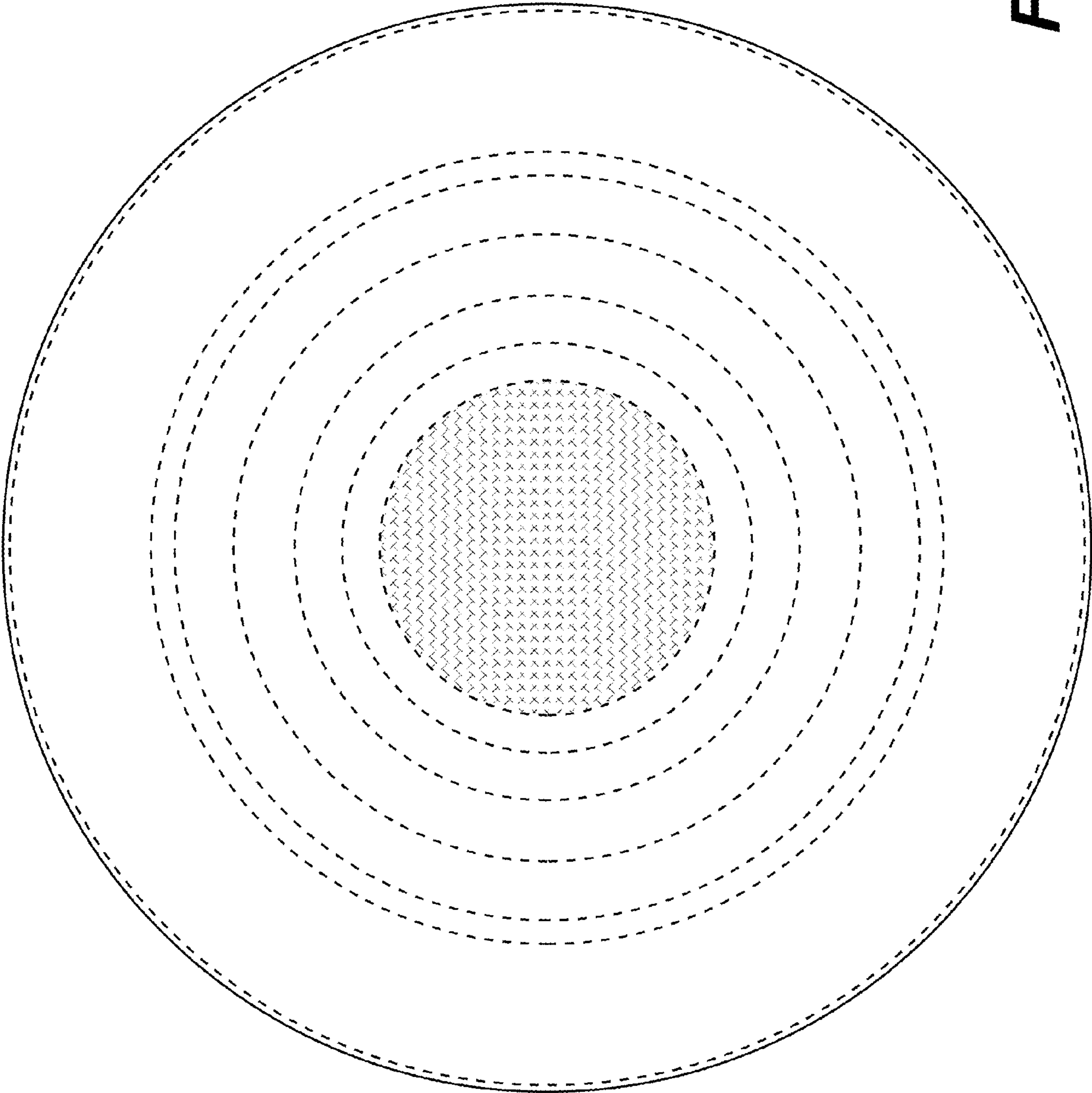


FIG. 8